

## Ranges

### 30" Induction Slide-in Range Benchmark™ Series Stainless Steel HIIP055C



### The 30" Benchmark Induction Slide-in Range Combines FlexInduction® Technology with the Innovative Oven featuring a QuietClose™ Door.

- FlexInduction® Combines Two Cooking Zones into One Continuous Surface.
- PowerMove™ - Divides FlexInduction® Into 3 Preset Power Level Zones. Simply Move the Cookware to Change the Power Level
- SpeedBoost® - Adds Even More Power to Speed Up the Cooking Process
- The Warming Drawer Keeps Your Meals Warm and Ready to Serve.
- Dampened Hinges Softly and Quietly Guide the QuietClose™ Door Shut.

#### Technical Data

|   |   |
|---|---|
| Total number of cooktop burners :           | 4   |
| Cooking mode :                              | 3rd element convection, Convection Bake, Convection Broil, Convection Roast, Conventional heat, Dough proving setting, Half width variable grill, Pizza setting, Top heating, 1/3 bottom heat., warming, Warming drawer |
| Integrated Cleaning system :                | Self Clean  |
| Type of control :                           | Electronic  |
| Included accessories :                      | 1 x oven racks /upper, 1 x telescopic rack, 1 x temperature probe /upper  |
| Sealed Burners :                            | No  |
| Bake Element Wattages cavity 1 (W) :        | 2400  |
| Broil Element Wattages cavity 1 (W) :       | 3800  |
| Convection Element Wattages cavity 1 (W) :  | 2000  |
| Number of gas burners :                     | 0   |
| Location of 1st heating element :           | front left  |
| Location of 2nd heating element :           | center left   |
| Location of 3rd heating element :           | back left   |
| Location of 4th heating element :           | middle back   |
| Location of 5th heating element :           | back right  |
| Location of 6th heating element :           | center right  |
| Display Color :                             | red, white  |
| UPC code :                                  | 825225926757  |
| Current (A) :                               | 40  |
| Volts (V) :                                 | 240/208   |
| Frequency (Hz) :                            | 60  |
| Approval certificates :                     | CSA   |
| Required cutout size (HxWxD) (in) :         | 30" width slide-in  |
| Overall appliance dimensions (HxWxD) (in) : | 35 1/2" x 31 1/2" x 28 7/8"   |
| Variable cooker height (in) :               | 1 1/2"  |
| AHAM volume (of cavity) - cavity 1 :        | 2   |
| Product packaging dimensions (HxWxD) (in) : | 43 3/4" x 34" x 31 1/2"   |
| Net weight (lbs) :                          | 237   |
| Gross weight (lbs) :                        | 258   |

#### Included accessories

1 x oven racks /upper  
1 x telescopic rack  
1 x temperature probe /upper

#### Optional accessories

HEZBS301 : Low Back Guard SIR Electric/ Induction  
HEZTR301 : Telescopic Oven Rack 30"

## Ranges

### **30" Induction Slide-in Range Benchmark™ Series Stainless Steel HIIP055C**

**The 30" Benchmark Induction Slide-in Range Combines FlexInduction® Technology with the Innovative Oven featuring a QuietClose™ Door.**

---

#### **Design**

- Touch Control for Easier Operation of the Oven

#### **Performance**

- 11 Specialized Cooking Modes - Gourmet Cooking Made Easy
- PreciseSelect® - Direct Cooking Level Selection (17 Settings)
- Temperature Conversion for Convection Cooking
- Genuine European Convection for Even Baking Results on Multiple Racks.
- Meat Probe Takes the Guesswork Out of Cooking

#### **Convenience**

- Each Cooking Zone Has an Independent Countdown Timer
- SafeStart - Ensures that Element is Only Activated, if Suitable Cookware is in Position; no Activation When Other Metal Objects are Placed on Element
- A Full-Extension Telescopic Rack Offers Better Access to the Oven Cavity.
- Fast Preheat Reduces Heating Time.
- Two Oven Lights to Better Monitor Cooking Progress
- Extra Large Door Window for Easy Monitoring of Cooking Process
- Star-K certified. Temperature range: 100° - 450° F

#### **Capacity**

- Large Capacity at 4.6 Cu Ft. Accommodates Most Pots and Pans
- Recessed 8 Pass Broil Element for Increased Capacity and Safety

#### **Accessories Included**

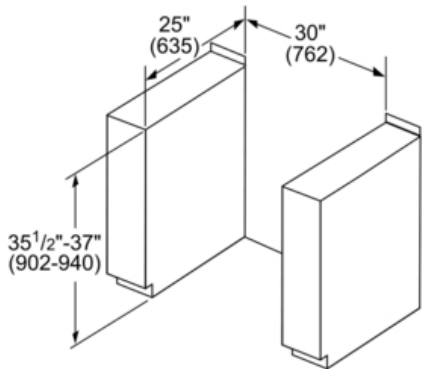
- Use and Care Manual, Installation guide and Standard Rack

#### **Optional Accessories**

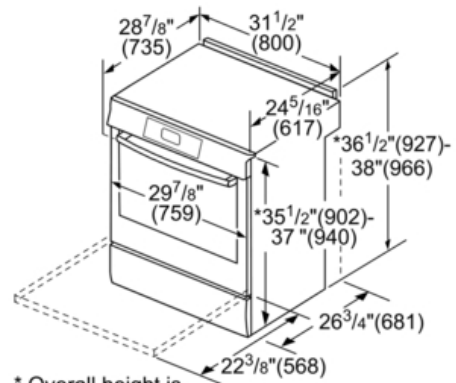
- HEZTR301 30" Telescopic Rack
- HEZBS301 - Low Back Guard, Induction

## Ranges

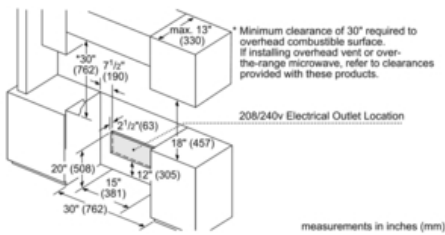
### 30" Induction Slide-in Range Benchmark™ Series Stainless Steel HIIP055C



measurements in mm



measurements in inches (mm)



measurements in inches (mm)