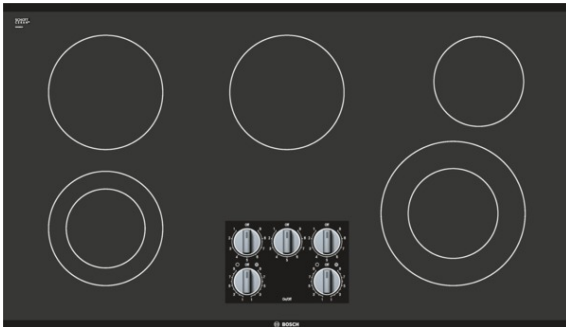


Cooktops

36" Electric Cooktop 500 Series - Black Frameless NEM5666UC



- Infinite Temperature Controls for Precision Cooking
- Dual Element Offers the Capability to use Multiple Pan Sizes

Technical Data

Knob Material :	Plastic
Sealed Burners :	No
Dimension of 1st heating element (in) :	5"; 7"
Power of 1st heating element (W) :	0.7 ; 1.7
Dimension of 2nd heating element (in) :	7"
Power of 2nd heating element (W) :	1.8
Dimension of 3rd heating element (in) :	7"
Power of 3rd heating element (W) :	1.8
Dimension of 4th heating element (in) :	6"
Power of 4th heating element (W) :	1.2
UPC code :	825225907497
Variant color :	Black
Energy source :	Electric
Watts (W) :	9000
Current (A) :	40/40
Volts (V) :	240/208
Frequency (Hz) :	60
Approval certificates :	CSA
Power cord length (cm) :	96
Plug type :	no plug
Required cutout size (HxWxD) (in) :	4" x 34 7/8" x 20"
Required cutout size (HxWxD) (mm) :	102 x 883-883 x 505-505
Minimum distance from counter front (in) :	2 1/4"
Minimum distance from rear wall (in) :	2"
Overall appliance dimensions (HxWxD) (in) :	1/4"+4" x 37" x 21 1/4"
Overall appliance dimensions (HxWxD) (mm) :	102 x 940 x 540
Product packaging dimensions (HxWxD) (in) :	7 7/8" x 43 5/16" x 24"
Net weight (lbs) :	30
Net weight (kg) :	14.0
Gross weight (lbs) :	39
Gross weight (kg) :	18.0
Total number of cooktop burners :	5

Optional accessories

- HEZ390210 : System pan Ø 15cm
- HEZ390220 : System pan Ø 19cm
- HEZ390230 : System pan diameter 21cm

Cooktops

36" Electric Cooktop 500 Series - Black Frameless NEM5666UC

Design

- Black-glass Seamless Design
- Cooktop Design Coordinates with Bosch Ovens and Ventilation

Performance

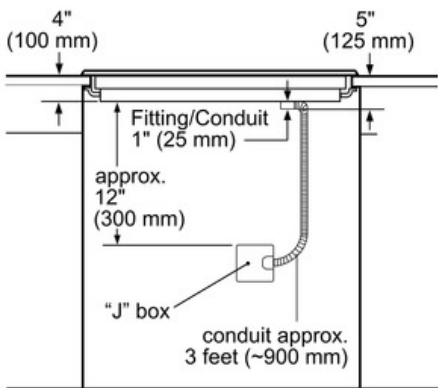
- Dual Element Offers the Capability to use Multiple Pan Sizes
- Infinite Temperature Controls for Precision Cooking
- Powerful 2,500W Right-Front Burner for Faster Boil Times

Safety

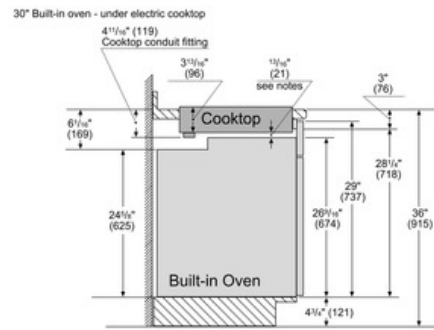
- 2-Level Heat Indicator - Warns if Cooktop is Warm or Hot

Cooktops

36" Electric Cooktop 500 Series - Black Frameless NEM566UC



measurement in inches (mm)

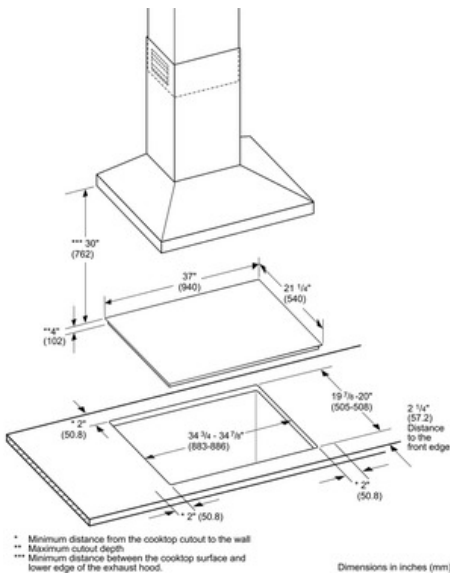


Notes:

Dimensions based on standard countertop height (36" with 4 1/4" toe kick including base plate).

The built-in oven can be installed below the electric cooktop as long as there is no contact between the bottom of the cooktop and the top of the oven.

measurements in inches (mm)



- * Minimum distance from the cooktop cutout to the wall
- ** Maximum cutout depth
- *** Minimum distance between the cooktop surface and lower edge of the exhaust hood.

Dimensions in inches (mm)