

Cooktops

30" Electric Cooktop Benchmark Series - Black with Stainless Steel Frame NETP066SUC



- Only 30" Five-burner Cooktop in the Market with a Touch Control Panel.
- AutoChef® Maintains Exact Cooking Temperatures for Consistent Results
- Each Zone's Timer Automatically Shuts Off When Cooking is Done
- PreciseSelect™ Offers 17 Different Direct Cooking Level Settings

Technical Data

Sealed Burners :	No
Dimension of 1st heating element (in) :	7"; 5"
Power of 1st heating element (W) :	2 ; 0.8
Dimension of 2nd heating element (in) :	6"
Power of 2nd heating element (W) :	1.2
Dimension of 3rd heating element (in) :	9", 6"
Power of 3rd heating element (W) :	1.3 ; 3.1
Dimension of 4th heating element (in) :	6"
Power of 4th heating element (W) :	1.2
UPC code :	825225907565
Variant color :	Black
Energy source :	Electric
Watts (W) :	9000
Current (A) :	40/40
Volts (V) :	240/208
Frequency (Hz) :	60
Approval certificates :	CSA
Power cord length (cm) :	96
Plug type :	no plug
Required cutout size (HxWxD) (in) :	4" x 28 7/8" x 20"
Required cutout size (HxWxD) (mm) :	102 x 731-731 x 505-505
Minimum distance from counter front (in) :	2 1/4"
Minimum distance from rear wall (in) :	2"
Overall appliance dimensions (HxWxD) (in) :	1/4"+4" x 31" x 21 1/4"
Overall appliance dimensions (HxWxD) (mm) :	102 x 788 x 540
Product packaging dimensions (HxWxD) (in) :	7 7/8" x 37 3/8" x 24"
Net weight (lbs) :	27
Net weight (kg) :	12.0
Gross weight (lbs) :	35
Gross weight (kg) :	16.0
Total number of cooktop burners :	5

Optional accessories

- HEZ390210 : System pan Ø 15cm
- HEZ390220 : System pan Ø 19cm
- HEZ390230 : System pan diameter 21cm

Cooktops

30" Electric Cooktop Benchmark Series - Black with Stainless Steel Frame NETP066SUC

Design

- Front and Back Stainless Steel Strip for a Premium Look
- Cooktop Design Coordinates with Bosch Ovens and Ventilation

Performance

- AutoChef™ Sensor - A Bosch Exclusive. Maintains Exact Frying Temperature for Perfect Results and Convenient, Healthy, Nutritional Cooking.
- PowerStart™ - Initial Maximum Power Output, Then Automatic Decrease to Pre-Selected Temperature. Avoids Boil Overs.
- Five Burner 30" Cooktop--Same Versatility of 36" Cooktop in Compact 30" Format. For Kitchens Where Space is Limited
- Dual Element Offers the Capability to use Multiple Pan Sizes

Convenience

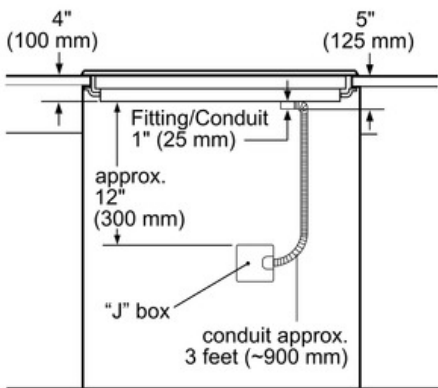
- Bosch Recommended Pan Included. Excellent Heating Performance and Superior Cleanability. Dishwasher safe. Works with Electric and Induction Cooktops. Also available as accessory: HEZ390230
- PreciseSelect® - Direct Cooking Level Selection - 17 Settings for Precise Control
- Countdown Timer - Built-In Timers for Each Element. Doubles as General-Purpose Kitchen Timer.
- Clean Lock - Prevents Unwanted Changing of Settings while Cleaning Spill-Overs.
- Keep Warm function allows meals to remain ready to serve

Safety

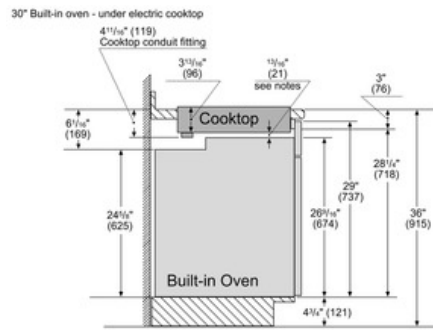
- 2-Level Heat Indicator - Warns if Cooktop is Warm or Hot
- ChildLock - Prevents the Cooktop from Being Accidentally Switched on. Locks Temperature Settings if in Use.

Cooktops

30" Electric Cooktop Benchmark Series - Black with Stainless Steel Frame NETP066SUC



measurement in inches (mm)

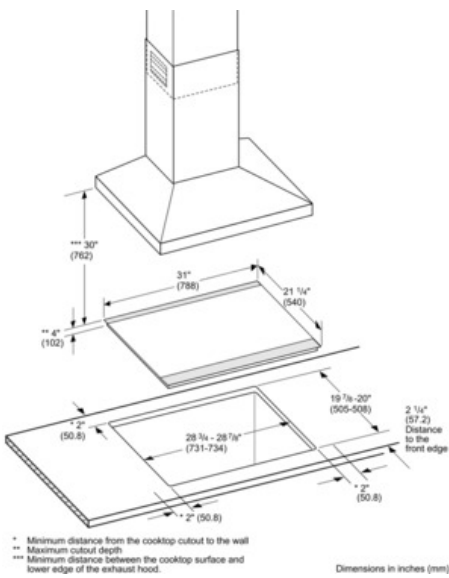


Notes:

Dimensions based on standard countertop height (36" with 4 1/4" toe kick including base plate).

The built-in oven can be installed below the electric cooktop as long as there is no contact between the bottom of the cooktop and the top of the oven.

measurements in inches (mm)



* Minimum distance from the cooktop cutout to the wall
** Maximum cutout depth
*** Minimum distance between the cooktop surface and lower edge of the exhaust hood.

Dimensions in inches (mm)