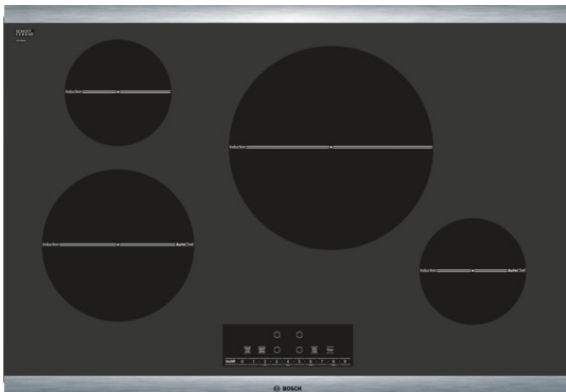


Cooktops

30" Induction Cooktop 800 Series - Black with Stainless Steel Strips NIT8066SUC



The 800 Induction Cooktop is Sleek in Design, and Features AutoChef® Technology Which Maintains Precise Cooking Temperatures.

- AutoChef® - A Bosch Exclusive. Maintains Exact Frying Temperature.
- A 11" Heating Element Offers 3,600W of Power for Quick Results.
- Induction Cooktops - Faster than Gas & Electric. Easier to Clean & More Efficient
- SpeedBoost™ - Boils Water 2x as Fast as Conventional Electric Cooktops

Technical Data

Sealed Burners :	No
Burners with booster :	All
Dimension of 1st heating element (in) :	9"
Power of 1st heating element (W) :	2.2
Dimension of 2nd heating element (in) :	6"
Power of 2nd heating element (W) :	1.4
Dimension of 3rd heating element (in) :	11"
Power of 3rd heating element (W) :	2.4
Dimension of 4th heating element (in) :	6"
Power of 4th heating element (W) :	1.4
UPC code :	825225904656
Variant color :	Black
Energy source :	Electric
Watts (W) :	7200
Current (A) :	30
Volts (V) :	208-240
Frequency (Hz) :	60
Approval certificates :	CSA
Power cord length (in) :	37"
Power cord length (cm) :	96
Plug type :	no plug
Required cutout size (HxWxD) (in) :	4 1/8" x 28 3/4" x 20"
Required cutout size (HxWxD) (mm) :	105 x 731-734 x 505-508
Minimum distance from counter front (in) :	2 1/4"
Minimum distance from rear wall (in) :	2"
Overall appliance dimensions (HxWxD) (in) :	5/16"+4 1/8" x 31" x 21 1/4"
Overall appliance dimensions (HxWxD) (mm) :	105 x 788 x 540
Product packaging dimensions (HxWxD) (in) :	7 1/16" x 36 5/8" x 26 5/8"
Net weight (lbs) :	33
Net weight (kg) :	15.0
Gross weight (lbs) :	48
Gross weight (kg) :	22.0
Total number of cooktop burners :	4

Optional accessories

- HEZ390210 : System pan Ø 15cm
- HEZ390230 : System pan diameter 21cm

Cooktops

30" Induction Cooktop 800 Series - Black with Stainless Steel Strips NIT8066SUC

The 800 Induction Cooktop is Sleek in Design, and Features AutoChef® Technology Which Maintains Precise Cooking Temperatures.

- Also Available as Frameless Option: NIT8066UC

Design

- Also Available as Frameless Option: NIT8066UC
- Front and Back Stainless Steel Strip for a Premium Look

Efficiency

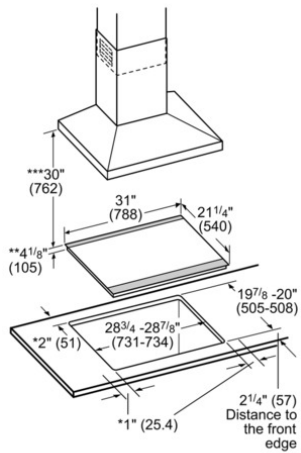
- PotSense™ - Automatically Adjusts Cooking Element to the Size of the Pan Bottom

Convenience

- PreciseSelect™ - Direct Cooking Level Selection (17 Settings)
- Improved Installation Flexibility: Only 30" Induction Cooktop in the Market that Requires a 30amp Breaker
- Each Element has an independent Countdown™ Timer
- ChildLock - Prevents the Cooktop from Being Accidentally Switched on. Locks Temperature Settings if in Use.
- SafeStart - Ensures that Element is Only Activated, if Suitable Cookware is in Position; no Activation When Other Metal Objects are Placed on Element

Cooktops

30" Induction Cooktop 800 Series - Black with Stainless Steel Strips NIT8066SUC



- * Minimum distance from the cooktop cutout to the wall
- ** Installed depth includes 1" (26 mm) air clearance
- *** Minimum distance between surface of the cooktop and lower edge of the exhaust hood. Dimensions in inches (mm)