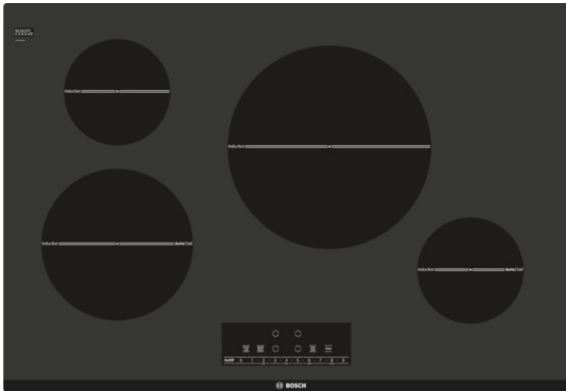


Cooktops

30" Induction Cooktop 800 Series - Black NIT8066UC



The 800 Induction Cooktop is Sleek in Design, and Features AutoChef® Technology Which Maintains Precise Cooking Temperatures.

- AutoChef® - A Bosch Exclusive. Maintains Exact Frying Temperature.
- A 11" Heating Element Offers 3,600W of Power for Quick Results.
- Induction Cooktops - Faster than Gas & Electric. Easier to Clean & More Efficient
- SpeedBoost™ - Boils Water 2x as Fast as Conventional Electric Cooktops

Technical Data

| | |
|---|-----------------------------|
| Sealed Burners : | No |
| Burners with booster : | All |
| Dimension of 1st heating element (in) : | 9" |
| Power of 1st heating element (W) : | 2.2 |
| Dimension of 2nd heating element (in) : | 6" |
| Power of 2nd heating element (W) : | 1.4 |
| Dimension of 3rd heating element (in) : | 11" |
| Power of 3rd heating element (W) : | 2.4 |
| Dimension of 4th heating element (in) : | 6" |
| Power of 4th heating element (W) : | 1.4 |
| UPC code : | 825225904717 |
| Variant color : | Black |
| Energy source : | Electric |
| Watts (W) : | 7200 |
| Current (A) : | 30 |
| Volts (V) : | 208-240 |
| Frequency (Hz) : | 60 |
| Approval certificates : | CSA |
| Power cord length (in) : | 37" |
| Power cord length (cm) : | 96 |
| Plug type : | no plug |
| Required cutout size (HxWxD) (in) : | 4 1/8" x 28 3/4" x 19 7/8" |
| Required cutout size (HxWxD) (mm) : | 105 x 731-734 x 505-508 |
| Minimum distance from counter front (in) : | 2 1/4" |
| Minimum distance from rear wall (in) : | 2" |
| Overall appliance dimensions (HxWxD) (in) : | 1/4"+4 1/8" x 31" x 21 1/4" |
| Overall appliance dimensions (HxWxD) (mm) : | 105 x 788 x 540 |
| Product packaging dimensions (HxWxD) (in) : | 7 1/16" x 36 5/8" x 26 5/8" |
| Net weight (lbs) : | 33 |
| Net weight (kg) : | 15.0 |
| Gross weight (lbs) : | 48 |
| Gross weight (kg) : | 22.0 |
| Total number of cooktop burners : | 4 |

Optional accessories

- HEZ390210 : System pan Ø 15cm
- HEZ390230 : System pan diameter 21cm

Cooktops

30" Induction Cooktop 800 Series - Black NIT8066UC

The 800 Induction Cooktop is Sleek in Design, and Features AutoChef® Technology Which Maintains Precise Cooking Temperatures.

- Also Available with Stainless Steel Back and Front Trim:
NIT8066SUC

Design

- Also Available with Stainless Steel Back and Front Trim:
NIT8066SUC

Efficiency

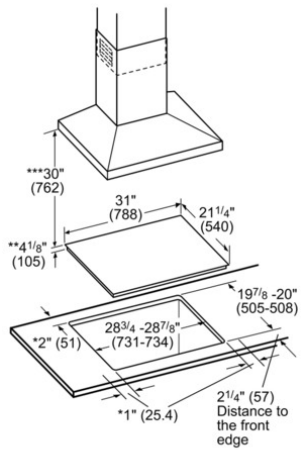
- PotSense™ - Automatically Adjusts Cooking Element to the Size of the Pan Bottom

Convenience

- Each Element has an independent Countdown™ Timer
- PreciseSelect™ - Direct Cooking Level Selection (17 Settings)
- Improved Installation Flexibility: Only 30" Induction Cooktop in the Market that Requires a 30amp Breaker
- ChildLock - Prevents the Cooktop from Being Accidentally Switched on. Locks Temperature Settings if in Use.
- SafeStart - Ensures that Element is Only Activated, if Suitable Cookware is in Position; no Activation When Other Metal Objects are Placed on Element

Cooktops

30" Induction Cooktop 800 Series - Black NIT8066UC



- * Minimum distance from the cooktop cutout to the wall
 - ** Installed depth includes 1" (26 mm) air clearance
 - *** Minimum distance between surface of the cooktop and lower edge of the exhaust hood.
- Dimensions in inches (mm)