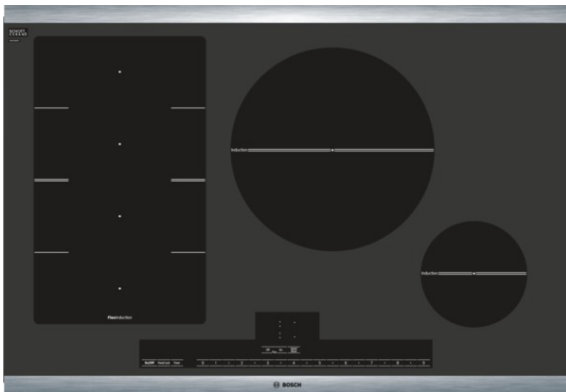


Cooktops

30" Induction Cooktop Benchmark™ Series - Black with Stainless Steel Strips NITP066SUC



Introducing the Newly Designed and Engineered Induction Cooktop, Featuring the FlexInduction™ Cooking Zones.

- FlexInduction™ Can Combine Two Cooking Zones into One Continuous Surface.
- A 11" Heating Element Offers 3,600W of Power for Quick Results.
- Induction Cooktops - Faster than Gas & Electric. Easier to Clean & More Efficient
- SpeedBoost™ - Boils Water 2x as Fast as Conventional Electric Cooktops
- **Also Available as Frameless Option: NITP066UC**

Technical Data

Sealed Burners :	No
Burners with booster :	All
Dimension of 1st heating element (in) :	8"; 9"
Dimension of 2nd heating element (in) :	8", 9"
Power of 2nd heating element (W) :	3.3
Dimension of 3rd heating element (in) :	11"
Power of 3rd heating element (W) :	2.4
Dimension of 4th heating element (in) :	6"
Power of 4th heating element (W) :	1.4
UPC code :	825225904670
Variant color :	Black
Energy source :	Electric
Watts (W) :	7200
Current (A) :	30
Volts (V) :	208-240
Frequency (Hz) :	60
Approval certificates :	CSA
Power cord length (in) :	37"
Power cord length (cm) :	96
Plug type :	no plug
Required cutout size (HxWxD) (in) :	4 1/8" x 28 3/4" x 19 7/8"
Required cutout size (HxWxD) (mm) :	105 x 731-734 x 505-508
Minimum distance from counter front (in) :	2 1/4"
Minimum distance from rear wall (in) :	2"
Overall appliance dimensions (HxWxD) (in) :	5/16"+4 1/8" x 31" x 21 1/4"
Overall appliance dimensions (HxWxD) (mm) :	105 x 788 x 540
Product packaging dimensions (HxWxD) (in) :	7 1/16" x 36 5/8" x 26 5/8"
Net weight (lbs) :	33
Net weight (kg) :	15.0
Gross weight (lbs) :	48
Gross weight (kg) :	22.0
Total number of cooktop burners :	4

Optional accessories

- HEZ390210 : System pan Ø 15cm
- HEZ390230 : System pan diameter 21cm
- HEZ390512 : Teppan Yaki (large)
- HEZ390522 : Griddle Plate

Cooktops

30" Induction Cooktop Benchmark™ Series - Black with Stainless Steel Strips NITP066SUC

Introducing the Newly Designed and Engineered Induction Cooktop, Featuring the Flexibility of FlexInduction™ Cooking Zones.

Design

- Front and Back Stainless Steel Strip for a Premium Look

Efficiency

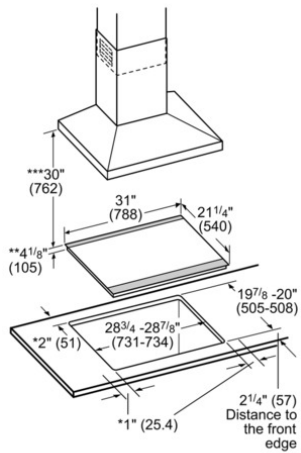
- PotSense™ - Automatically Adjusts Cooking Element to the Size of the Pan Bottom

Convenience

- PreciseSelect™ - Direct Cooking Level Selection (17 Settings)
- Improved Installation Flexibility: Only 30" Induction Cooktop in the Market that Requires a 30amp Breaker
- ChildLock - Prevents the Cooktop from Being Accidentally Switched on. Locks Temperature Settings if in Use.
- SafeStart - Ensures that Element is Only Activated, if Suitable Cookware is in Position; no Activation When Other Metal Objects are Placed on Element

Cooktops

30" Induction Cooktop Benchmark™ Series - Black with Stainless Steel Strips NITP066SUC



- * Minimum distance from the cooktop cutout to the wall
 - ** Installed depth includes 1" (26 mm) air clearance
 - *** Minimum distance between surface of the cooktop and lower edge of the exhaust hood.
- Dimensions in inches (mm)