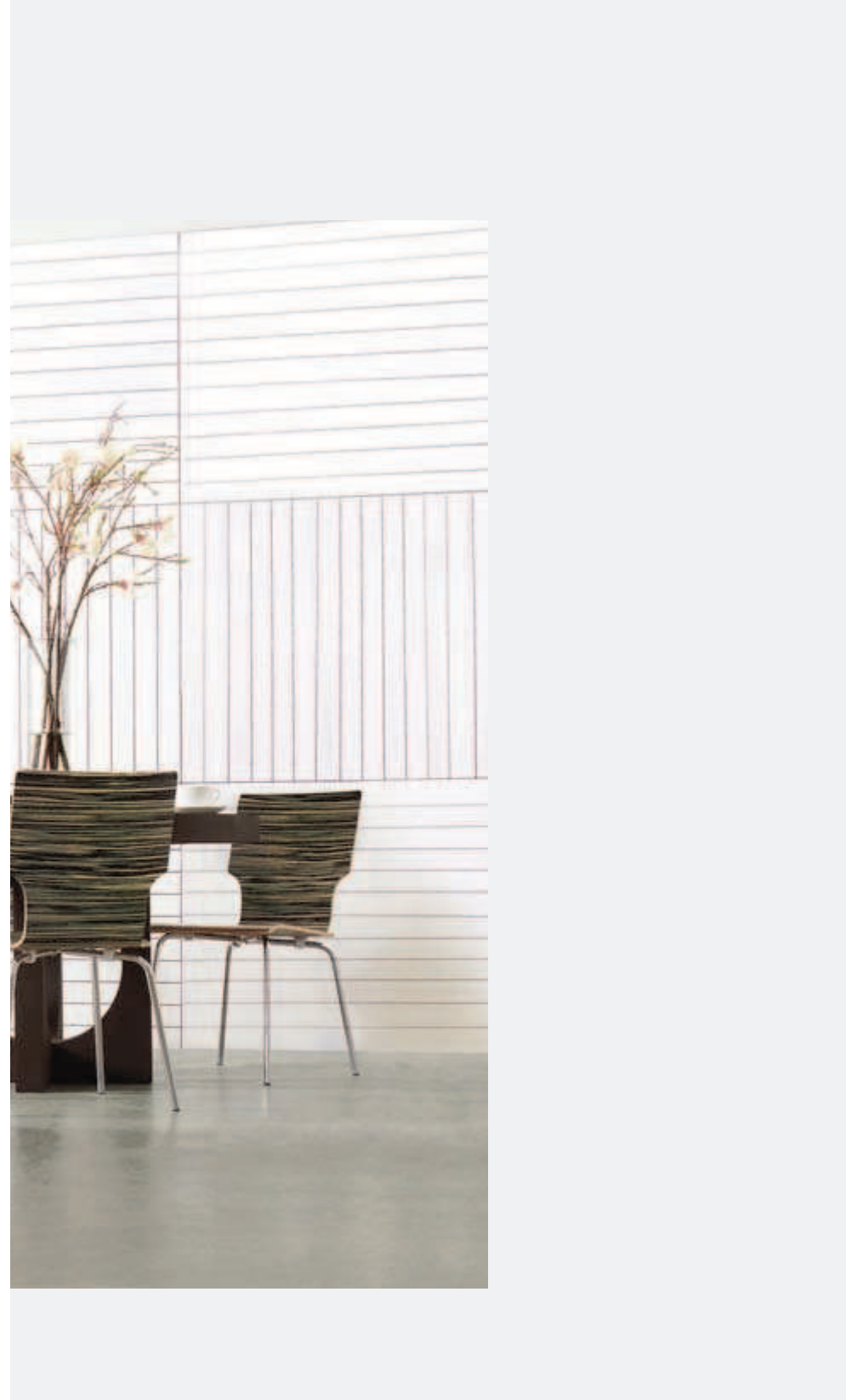


Compact Laundry

Go down a size. Fit speed and style just about anywhere.

With their sleek design, our matching Bosch 24" laundry units offer best in class installation. Stack them in a closet or install them side by side under a kitchen counter. Our extra-fast compact laundry pairs get your clothes dirty to dry in 30 minutes.





Compact Washers



Ascenta
WAP24200UC

- Stainless Steel Raindrop Structured Drum
- 2.16 cu. ft. (15.4 Lbs) Capacity
- Anti-vibration System
- ENERGY STAR® Qualified



Axxis®
WAP24201UC

- + AquaShield® Water Safety System
- + 2.16 cu. ft. (17.6 Lbs) Capacity
- + Silver Design Highlights: Dial, Buttons, Door Trim
- + Premium Window Design: Bosch Magneto



Axxis® Plus
WAP24202UC

- + Super Quick 15 Minute Cycle
- + Mixed Load Cycle
- + AquaStop® Exclusive Water Safety System
- + Chrome Design Highlights: Dial, Buttons, Door Trim

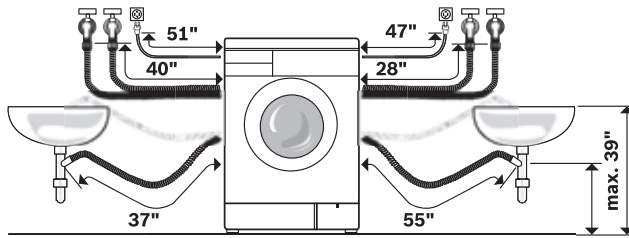
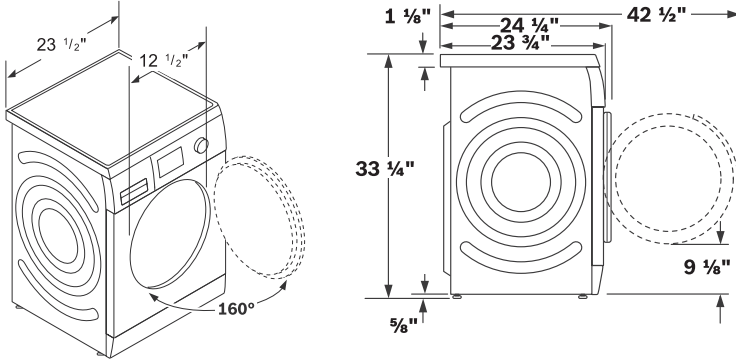
+ Indicates a step-up feature

	Ascenta	Axxis®	Axxis® Plus
	White – WAP24200UC	White – WAP24201UC	White – WAP24202UC
General Properties			
Tub material	Stainless Steel	Stainless Steel	Stainless Steel
Maximum spin speed (rpm)	1,200	1,200	1,200
Leak protection systems	Reinforced Hose	AquaShield™ Hose	AquaStop™ Hose & Sensor
Internal water heater	Yes	Yes	Yes
Stackable	Yes	Yes	Yes
Silence level – washing (dBA)	59	59	59
Silence level – spinning (dBA)	73	73	73
Special cycles	Quick wash 30 min., Jeans, Heavy duty	Anti shrink, Towels, Active wear	Super quick 15 min., Mixed
Energy consumption (kWh / yr)	135	135	135
Water consumption (gal / y)	3,640	3,640	3,640
ENERGY STAR® qualified	Yes	Yes	Yes
CEE	Tier 2	Tier 2	Tier 2
Capacity			
Capacity (cu. ft.)	2.2 cu. ft.	2.2 cu. ft.	2.2 cu. ft.
Relative load	16 bath towels	18 bath towels	18 bath towels
Design Elements			
Door ring	White	Silver	Chrome
Control buttons	White	Silver	Chrome
Dial	White	Silver	Chrome
Technical Details			
Watts (W)	2,300 W	2,300 W	2,300 W
Circuit breaker (A)	20 A	20 A	20 A
Volts (V)	208 / 220 – 240 V	208 / 220 – 240 V	208 / 220 – 240 V
Frequency (Hz)	60 hz	60 hz	60 hz
Plug type	240V; NEMA 6 – 15 (3 prong)	240V; NEMA 6 – 15 (3 prong)	240V; NEMA 6 – 15 (3 prong)
Power cord included	Yes	Yes	Yes
Power cord length (in)	61" (Full Length)	61" (Full Length)	61" (Full Length)
Drain hose length (in)	57" (Full Length)	57" (Full Length)	57" (Full Length)
Inlet hose length (in)	47" (Full Length)	59" (Full Length)	59" (Full Length)
Door hinge	Left Side (Not Reversible)	Left Side (Not Reversible)	Left Side (Not Reversible)
Dimensions & Weight			
Overall appliance dimensions (HxWxD) (in)	33 1/4" x 23 1/2" x 24 1/4"	33 1/4" x 23 1/2" x 25"	33 1/4" x 23 1/2" x 25"
Net weight (lbs)	170 lbs	170 lbs	170 lbs
Minimum stack height (in)	67 3/4"	67 3/4"	67 3/4"
ADA compliant	Yes, when installed on a Bosch pedestal	Yes, when installed on a Bosch pedestal	Yes, when installed on a Bosch pedestal

Compact Washers

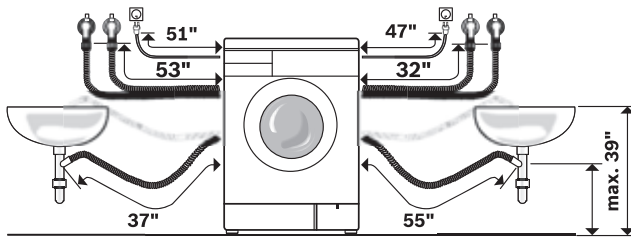
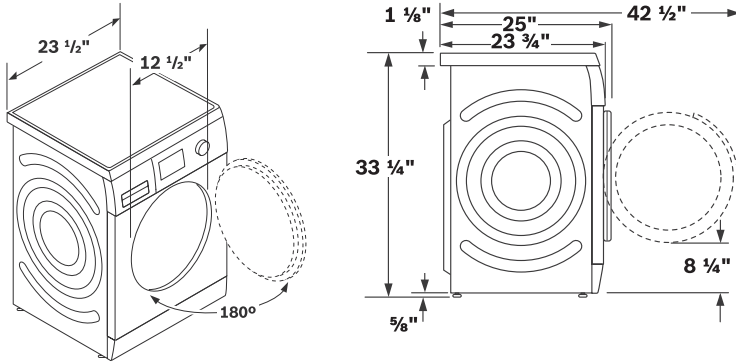
Ascenta Dimensions and Installation

Dimensions in inches

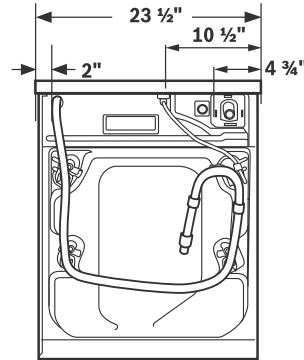


Axxis® and Axxis® Plus Dimensions and Installation

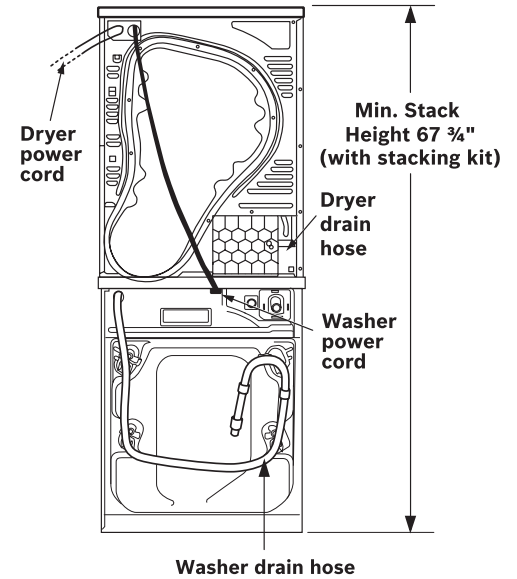
Dimensions in inches



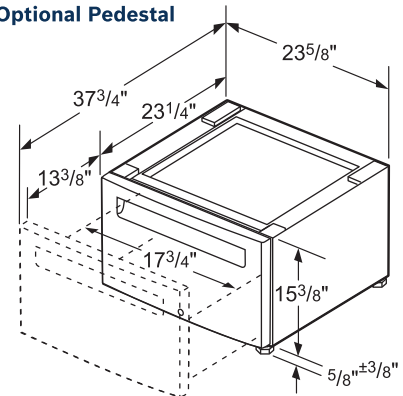
Ascenta, Axxis® and Axxis® Plus



Ascenta, Axxis® and Axxis® Plus Washer plugged into the dryer



Optional Pedestal



Optional Accessories

WMZ20490
16" Pedestal

P/N 645787
(Axxis® & Axxis® Plus)
Short Stainless Steel Hose (If needed for plumbing box clearance with AQS hose)

NOTE: See page 174 for details on installing under counter or in a closet.

Compact Dryers



Ascenta
WTB86200UC

- Washer Plugs into the Dryer
- 4.0 cu. ft. (15.4 Lbs)
- 15 Programs / 6 Options
- Rigid Anti-vibration Circular Side Walls



Axxis®
WTB86201UC

- + Reversible Door
- + 4.0 cu. ft. (17.6 Lbs)
- + Silver Design Highlights: Dial, Buttons, Door Trim
- + Premium Window Design: Bosch Magneto



Axxis® Plus
WTB86202UC

- + Super Quick 15 Minute Program
- + Chrome Design Highlights: Dial, Buttons, Door Trim
- + Interior Drum light

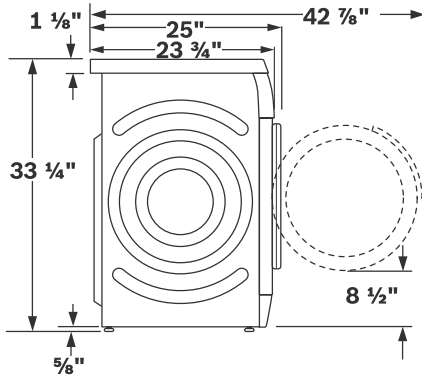
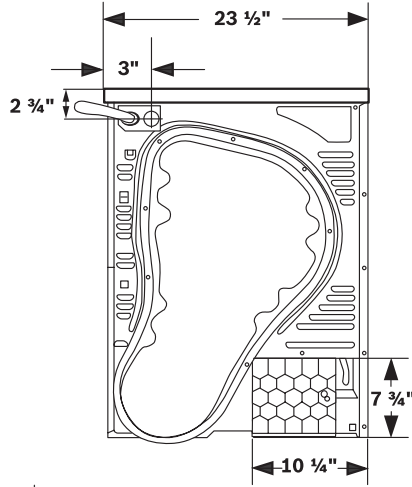
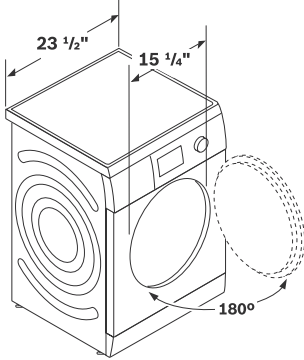
+ Indicates a step-up feature

	Ascenta	Axxis®	Axxis® Plus
	White – WTB86200UC	White – WTB86201UC	White – WTB86202UC
General Properties			
Dryer type	Condensing	Condensing	Condensing
Drum material	Galvalume	Stainless Steel	Stainless Steel
Interior light	No	No	Yes
Ventless drying (no ducting)	Yes	Yes	Yes
Stackable	Yes	Yes	Yes
Silence level (dBA)	67	67	67
Special cycles	Quick dry, Time dry, Delicates	Quick dry, Anti shrink, Towels	Super quick 15 min., Mixed, Active wear
Capacity			
Capacity (cu. ft.)	4.0 cu. ft.	4.0 cu. ft.	4.0 cu. ft.
Relative load	16 bath towels	18 bath towels	18 bath towels
Design Elements			
Door ring	White	Silver	Chrome
Control buttons	White	Silver	Chrome
Dial	White	Silver	Chrome
Technical Details			
Energy source	Electric	Electric	Electric
Watts (W)	2800 W	2800 W	2800 W
Circuit breaker (A)	30 A	30 A	30 A
Volts (V)	208 / 220 – 240 V	208 / 220 – 240 V	208 / 220 – 240 V
Frequency (Hz)	60 Hz	60 Hz	60 Hz
Plug type	240V; NEMA 14 – 30 (4 prong)	240V; NEMA 14 – 30 (4 prong)	240V; NEMA 14 – 30 (4 prong)
Power cord included	Yes	Yes	Yes
Power cord length (in)	63" (Full Length)	63" (Full Length)	63" (Full Length)
Drain hose length (in)	78" (Full Length)	78" (Full Length)	78" (Full Length)
Door hinge	Right Side (Not Reversible)	Right Side (Reversible)	Right Side (Reversible)
Dimensions & Weight			
Overall appliance dimensions (HxWxD) (in)	33 1/4" x 23 1/2" x 25"	33 1/4" x 23 1/2" x 25"	33 1/4" x 23 1/2" x 25"
Net weight (lbs)	99 lbs	99 lbs	99 lbs
Minimum stack height (in)	67 3/4"	67 3/4"	67 3/4"
ADA compliant	Yes, when installed on a Bosch pedestal	Yes, when installed on a Bosch pedestal	Yes, when installed on a Bosch pedestal

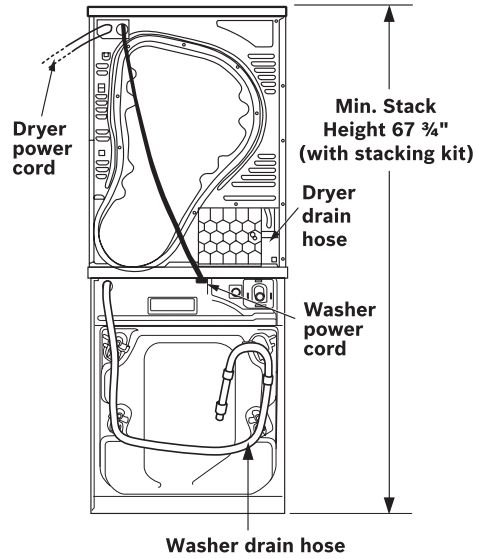
Compact Dryers

Dryer Dimensions

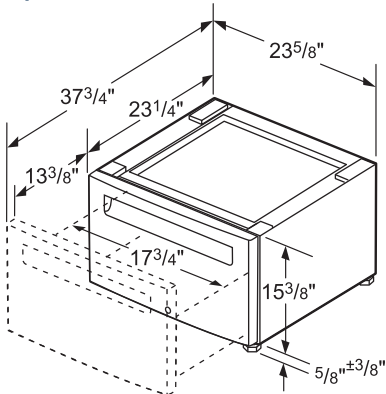
Dimensions in inches



Washer plugged into the dryer



Optional Pedestal



NOTE: See page 174 for details on installing under counter or in a closet.

Optional Accessories

WMZ20500
16" Pedestal

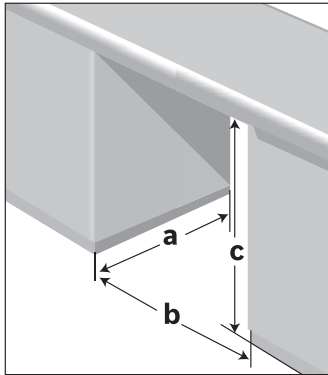
WTZ20410
Stationary Stacking Kit

WTZ11400
Stacking Kit with Pull Out Tray

Compact Washers and Dryers Installed in Enclosure

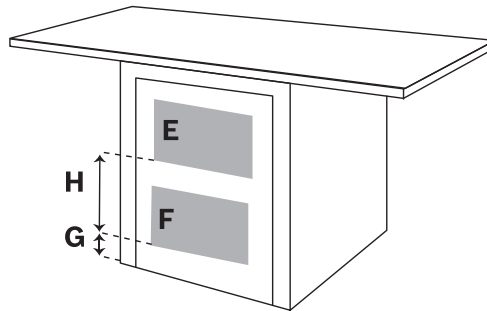
Enclosure Dimensions

Under Counter: (Preferred)



Front of the appliance fully open. No doors or coverings.

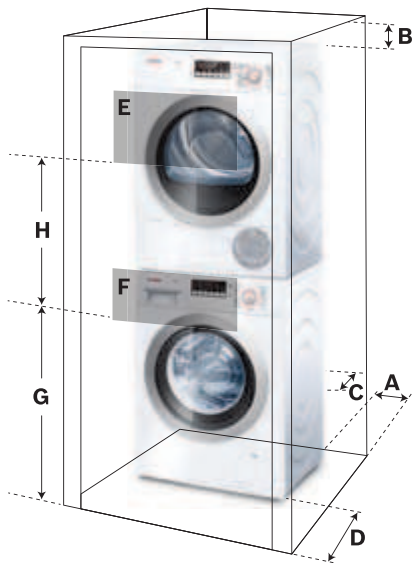
Under Counter: (Less Preferred)



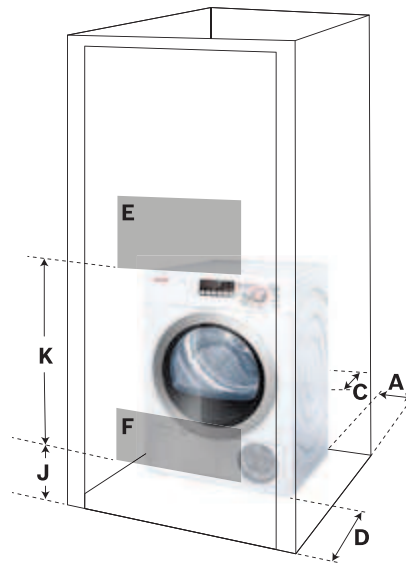
If front of the appliance is covered, ventilation openings must be installed.

Minimum opening dimensions	
a	23 7/8 in.
b	23 7/8 in.
c	33 1/2 in.
E & F are minimum area sizes	
E	63 sq. in.
F	63 sq. in.
G & H actual spacing dimensions for min. open area sizes	
G	3 in.
H	14 in.

Closet: Stacked



Closet: Stand Alone (shown) or Side by Side



Clearance requirements (Minimum)		
A	Both Sides	5/8 in.
B	Top	6 1/4 in.
C	Rear	3 1/4 in.
D	Front	3 1/2 in.
Ventilation Area (Minimum)		
E	Top	63 sq. in.
F	Bottom	63 sq. in.
Vent Spacing		
G		37 in.
H		26 in.
J		3 in.
K		29 in.

