

24" Compact Condensation Dryer

Axxis - White

WTE86300US



Features and Benefits

Key Features

- Ventless Drying Required No Ducting
- Large Capacity on Compact Footprint
- 11 Drying Cycles and 4 Drying Options
- LED Display with Remaining Time
- Long-lasting One Piece Stainless Steel Structured Drum

Design

- Neat White - European Design
- See-thru Silver Door
- LED Display with Remaining Time
- Advance Touch Control Technology
- Stackable - Space Saving

Performance

- Sensor-controlled Automatic Drying Programs
- Unique Drum Pattern Creates Air Cushions to Protect Clothes
- 4 Temperature Settings
- Intelligent Sensors Prevents Overheating
- Wool Cycle for Machine-Washable Woolen Textiles
- Touch Up - 20 min Cycle for Extreme Sensitive Fabrics
- 40 Minutes Timed Program
- Short Program for Small Loads
- Low Heat Option Reduces Heat on Specified Program
- Easy Ironing Option
- Extended WrinkleBlock Up to 120 min After the Drying Cycle

Notes: All height, width and depth dimensions are shown in inches. *Please refer to installation instructions prior to making cutout. BSH reserves the absolute and unrestricted right to change product materials and specifications, at any time, without notice. Consult the product's installation instructions for final dimensional data and other details. Applicable product warranty can be found in a accompanying product literature or you may contact your account manager for further details.

For more information on our entire line of products, go to boschappliances.com or call 1-800-944-2904.
Copyright ©2013 BSH Home Appliances Corporation. All rights reserved. Bosch is a registered trademark of Robert Bosch GmbH.

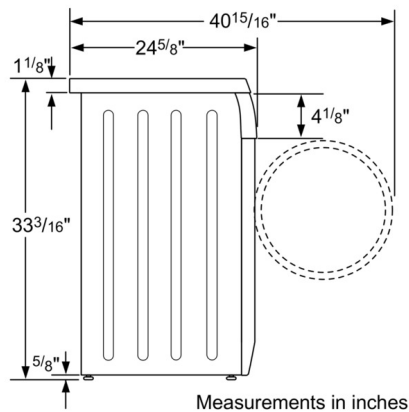
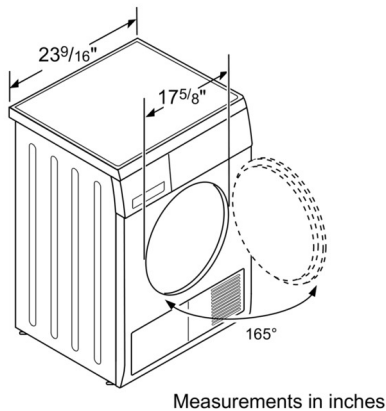
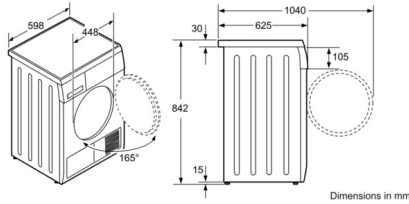
Litho Date: 04/2013



24" Compact Condensation Dryer

Axxis - White

WTE86300US



Features

UPC code	825225845812
Door ring	Silver
Buttons	silver
Dial	white
Door Hinge	Right
Alternative colors available	
Silence level (dBA)	67
Energy Source	Electric
Watts (W)	2800
Current (A)	12
Volts (V)	208-240
Frequency (Hz)	60
Power cord included	Yes
Power cord length (in)	57"
Plug type	240V-4 prong
Length outlet hose (in)	
Length inlet hose (in)	
Overall appliance dimensions (HxWxD) (in)	33 3/16" x 23 9/16" x 24 5/8"
Product packaging dimensions (HxWxD) (in)	34.25 x 24.80 x 26.77
Net weight (lbs)	93
Gross weight (lbs)	95
Tub Material	Stainless steel
Capacity (cu. ft.)	3.9
Stackability	Yes
Dryer Type	Condensing

Technical Specification

Number of Options	4
Timed Dry	Yes
Location of Vent	
Display	Yes
Status indicator	LED

Notes: All height, width and depth dimensions are shown in inches. *Please refer to installation instructions prior to making cutout. BSH reserves the absolute and unrestricted right to change product materials and specifications, at any time, without notice. Consult the product's installation instructions for final dimensional data and other details. Applicable product warranty can be found in a accompanying product literature or you may contact your account manager for further details.

For more information on our entire line of products, go to boschappliances.com or call 1-800-944-2904.
Copyright ©2013 BSH Home Appliances Corporation. All rights reserved. Bosch is a registered trademark of Robert Bosch GmbH.

Litho Date: 04/2013

