



# Bosch Nexxt<sup>®</sup> Series MISTCARE<sup>™</sup> Electric Dryers



**BOSCH**

Invented for life

en Dryer: Operating, Care and Installation Instructions  
es Secador: Operación, cuidado y instrucciones para la instalación

---

# Features and Benefits of Your New Dryer

## **DUOTRONIC® Technology**

Moisture and temperature levels are constantly monitored to ensure precise drying results for a wide array of fabrics. Everything from T-shirts to baby blankets come out warm and soft every time.

Constant monitoring ensures the lowest energy usage possible, cutting consumption by up to 50% per year.

## **WRINKLEBLOCK™**

Sometimes you can't get your laundry right when the buzzer rings. Extended **WRINKLEBLOCK™** gives you one hour of intermittent tumbling, preventing creases from setting in and, ultimately, reducing ironing time.

## **Stainless Steel Drum**

Nexxt™ dryers feature smooth stainless steel drums for the gentlest of care.

## **180° Door Hinge**

Finally, a dryer door that completely opens up to a full 180° – making it easier to load and unload laundry. Washer and dryer doors also open in opposite directions, so when set up side by side, transferring your damp laundry to the dryer becomes an effortless task.

## **Quiet Performance**

Bosch laundry appliances use brushless motors, suspended pump systems and special sound-deadening material to keep them exceptionally quiet while in operation. Which means they can be installed virtually anywhere in the home without causing a disturbance.

## **Dryer Rack**

The Nexxt™ dryer rack protects the most delicate fabrics or a pair of tennis shoes, and it dries without the tumbling. It is standard on the Nexxt™ Premium model or available as an accessory.

## **Lint Trap**

Our lint trap is conveniently located in the appliance housing below the dryer door for easy access. The lint trap's fine mesh filter captures even the smallest lint particles. And to increase drying efficiency, there's also a lint filter light that illuminates should the filter need immediate cleaning.

## **MISTCARE™**

**MISTCARE™** programs utilize added moisture to help relax fabric, ease wrinkling, and freshen cotton blend laundry items to reduce odor.

## **AQUASTOP® Hose**

The **AQUASTOP®** Hose stops water flow in the event the hose experiences flood-type leakage.

---

# Table of Contents

<b>Definitions</b> .....	<b>4</b>
<b>IMPORTANT SAFETY INSTRUCTIONS</b> .....	<b>4</b>
GROUNDING INSTRUCTIONS .....	5
<b>INSTALLATION INSTRUCTIONS</b> .....	<b>6</b>
Introduction .....	6
Information concerning waste disposal .....	6
Before installing the dryer .....	6
Installation – step by step .....	7
Electrical connection .....	9
Exhaust air connection .....	13
Accessories .....	15
Preparing to transport the dryer – step by step .....	15
<b>OPERATING INSTRUCTIONS</b> .....	<b>16</b>
Panel .....	16
<b>Additional Safety information</b> .....	<b>17</b>
<b>Protection of the environment</b> .....	<b>17</b>
<b>Laundry</b> .....	<b>17</b>
Identification of fabrics .....	17
Drying tips .....	17
<b>Program Selection Table</b> .....	<b>18</b>
Options .....	18
Indicator of program sequence .....	18
Automatic programs .....	19
MISTCARE programs .....	19
Special programs .....	19
Time programs .....	19
<b>Operation</b> .....	<b>21</b>
Using the dryer .....	21
Cleaning the lint filter .....	22
Using the dryer rack (Option) .....	22
<b>Cleaning and care</b> .....	<b>24</b>
Cleaning the dryer .....	24
Cleaning the exhaust duct .....	24
Cleaning the moisture sensor .....	24
Cleaning the bearing shield .....	24
Change the light bulb .....	24
<b>Troubleshooting</b> .....	<b>25</b>
SERVICE and REPAIR .....	26
<b>STATEMENT OF LIMITED PRODUCT WARRANTY</b> .....	<b>27</b>

Congratulations on having selected a Bosch clothes dryer, the choice of those that demand exceptional drying performance and care from their clothes dryer.

This dryer complies with:  
UL 2158/CAN/CSA-C22.2 No.  
112-97 Clothes Dryers

A distinctive feature of your dryer is low energy consumption.

An easy operation philosophy, a variety of customized drying programs and a solid touch and feel make this appliance a user-friendly assistant in your household.

The Bosch dryers offer the following standard features:

- High efficiency precision drying system
- Large stainless steel drum with a capacity of up to 17.6 lbs (8 kg)
- Large port hole (18"/457 mm), and door interlock with automatic drum stop function
- Exceptionally quiet operation
- Sensor controlled auto cycles
- Timed cycles  
500 Series Dryer: 30 and 60 minutes  
800 Series Dryer: 10 to 150 minutes (in increments of 10 minutes)
- Short program for ½ load (25 minutes) (800 Series only)

Each dryer which leaves our factory has undergone a thorough performance test and is in full working condition. If you have any questions especially concerning installation of the dryer – our customer service team will be happy to assist you.

Further information and a selection of our products can be found on our web site:

[www.boschappliances.com](http://www.boschappliances.com)

#### Information

Please read and follow these operating and installation instructions and all other information enclosed with the dryer.

## Definitions



### WARNING

**WARNING** – This indicates that death or serious injuries may occur as a result of non-observance of this warning.



### CAUTION

**CAUTION** – This indicates that minor or moderate injuries may occur as a result of non-observance of this warning.

### NOTICE

**NOTICE** – This indicates that damage to the appliance or property may occur as a result of non-observance of this warning.



This symbol is used to draw the user's attention to important matters.

## ⚠ IMPORTANT SAFETY INSTRUCTIONS



### WARNING

To reduce the risk of fire, electric shock, serious injury or death to persons and /or damage when using your dryer, follow basic precautions, including the following.

1. Read all instructions before using the dryer. Bosch dryers are provided with Operating, Care and Installation Instructions.
2. Do not dry articles that have been previously cleaned, washed, soaked, or spotted with gasoline, dry cleaning solvents, other flammable, or explosive substances as they give off vapors that could **ignite** or explode.

To reduce the risk of **fire**, clothes, cleaning rags, mop heads and the like which have traces of any

flammable substance, such as vegetable oil, cooking oil, petroleum based oils or distillates, waxes, fats, etc., must not be placed in the dryer. These items may contain some flammable substance(s) even after washing, which may smoke or catch **fire** by themselves.

Do not place items exposed to cooking oils in your dryer. Items contaminated with cooking oils may contribute to a chemical reaction that could cause a load to catch **fire**.

3. The dryer must only be used for its intended purpose.
4. Do not allow children to play on or in the appliance at any time; severe **injury** or **death** could result. Children should be kept a safe distance away from appliances at all times. Children should only be permitted within an

appliance's vicinity if under close, constant adult supervision.

5. When children become old enough to operate the appliance, it is the legal responsibility of the parents or legal guardians to ensure that they are instructed in safe practices by qualified persons.
6. BEFORE THE APPLIANCE IS REMOVED FROM SERVICE OR DISCARDED, REMOVE THE DOOR TO THE DRYING COMPARTMENT.
7. Do not reach into the appliance if the drum is rotating.
8. Do not install or store this appliance where it will be exposed to the weather or the elements, such as water/moisture, dirt, corrosive/salt air, and excessive cold.
9. Do not tamper with the controls.

10. Do not repair or replace any part of the appliance or attempt any service unless specifically recommended in the user-maintenance instructions or in published user repair instructions that you understand and have the skills to carry out.
11. Do not use fabric softeners or products to eliminate static unless recommended by the fabric manufacturer.
12. Do not use heat to dry articles containing foam rubber (may be labeled latex foam) or similarly textured rubber-like materials. Foam rubber materials can **ignite** by spontaneous combustion.
13. Do not dry articles containing spunbonded olefin. Spunbonded olefin can melt and can **ignite** by spontaneous combustion.
14. Clean lint screen before and after each load. Excess lint buildup can damage the dryer and create a potential **fire hazard**.
15. Keep area around the exhaust opening and adjacent surrounding areas free from the accumulation of lint, dust and dirt. An obstructed port might reduce the airflow and cause overheating.
16. The interior of the machine and exhaust duct should be cleaned periodically by qualified service personnel.
17. Removing any panel or cover, including the light cover, may expose live electrical circuits. Always be sure to unplug the dryer from the electrical supply before attempting any service. Disconnect the power cord by grasping the plug, not the cord.
18. Store all laundry chemicals and aids in a cool dry place according to the manufacturer's instructions. Make sure children cannot reach them. Gasoline, combustible materials and flammable vapors, liquids, and substances that pose a fire hazard-must not be stored near the dryer.
19. Do not sit on top of the dryer.
20. To avoid fire hazards, do not use an extension cord, an adapter, or any other non-manufacturer supplied electrical connector or cord, to connect the dryer to the electrical supply. Dryers are

powerful machines, and must have dedicated electrical outlets.

21. Always check clothing pockets and shake out all laundry items before placing into dryer; inappropriate objects can damage the dryer and certain items like cigarette lighters can pose a **fire hazard**.
22. To reduce the risk of fire and electrical shock hazards, do not use the dryer if the power cord is frayed or damaged, or if the plugs are loose.
23. Do not operate the dryer if any guards and/or panels have been removed or if any parts are missing or broken.
24. Do not bypass any safety devices.
25. Do not use a plastic or non-metal flexible duct with this dryer. Plastic or non-metal flexible duct is a potential **fire hazard**.
26. Do not operate this dryer until you are sure that the dryer has been installed according to the INSTALLATION INSTRUCTIONS and that installation and electrical grounding are in compliance with all local regulations and/or other applicable regulations and requirements.
27. Failure to install, maintain and/or operate the dryer according to the manufacturer's instructions may result in **injury** and/or damage.
28. To avoid floor damage and mold growth, do not let spills or splashout to cause standing water around or under the appliance.
29. Make sure that all water connections to the dryer have a shut-off valve that is readily accessible. Close the appliance water shut-off valve(s) at the end of each day of use.
30. Check the fill hose connections on a regular basis to ensure that they are tight and not leaking.

**Notes:**

- A The IMPORTANT SAFEGUARDS and WARNINGS presented in this manual do not cover all possible conditions that may occur. Common sense, caution and care must be exercised when

installing, maintaining or operating the dryer.

- B Always contact your dealer, distributor, service agent or the manufacturer about any problems or conditions that you do not understand.
- C Follow the Safety Information provided in the INSTALLATION INSTRUCTIONS and the OPERATING INSTRUCTIONS.

## GROUNDING INSTRUCTIONS

This appliance must be grounded. In the event of malfunction or breakdown, grounding will reduce the risk of electric **shock** by providing a path of least resistance for the electric current.

### For U.S.A.

Your dryer comes without a power supply cord. The power cord must meet the following requirements:

- UL listed in the USA
- 208 – 240 volt rated (minimum)
- 30 amps
- Type SRDT or DRT (UL 2158)
- Five feet long (minimum)



## WARNING

Improper connection of the equipment grounding conductor can result in a risk of electric **shock**.

Check with a qualified electrician or service person if you are in doubt as to whether the dryer is properly grounded.

DO NOT modify the plug provided with the appliance. If it will not fit the outlet, have a proper outlet installed by a qualified electrician.

## KEEP THESE INSTRUCTIONS FOR FUTURE REFERENCE.

In case of change of ownership, manual should be conveyed with the dryer.

## SAVE THESE INSTRUCTIONS

# INSTALLATION INSTRUCTIONS

## Introduction

Read these installation instructions completely and carefully. They will save you time and effort and help to ensure optimum dryer performance. Be sure to observe all listed warnings and cautions.

### **WARNING**

#### WARNING – Risk of Fire.

- Clothes dryer installation must be performed by a qualified installer.
- Install the clothes dryer according to the manufacturer's instructions and local codes.
- Do not install a clothes dryer with flexible plastic venting materials. If flexible metal (foil type) duct is installed, it must be of a specific type identified by the appliance manufacturer as suitable for clothes dryers. Flexible venting materials are known to collapse, be easily crushed and trap lint. These conditions will obstruct clothes dryer airflow and increase the risk of fire.
- To reduce the risk of severe injury or death, follow all installation instructions.
- **SAVE THESE INSTRUCTIONS.**

In addition to these instructions the dryer must be installed in accordance with all local codes or, in the absence of a local code:

- In the **U.S.A.**, in accordance with the National Electric Code, ANSI/NFPA70 – latest edition/State and Municipal codes and/or local codes.

## Information concerning waste disposal

### Disposal of the packaging

#### **WARNING**

Keep children away from shipping carton and packaging components. Danger of suffocation from plastic foil and folding cartons.

All packaging materials are environmentally friendly and can be reused. Please dispose of packaging in an environmentally friendly manner.

Please ask your dealer or inquire at your local authority about the current means of disposal.

### Disposal of the old appliance

#### **WARNING**

If appliance is no longer usable, pull out main plug, cut off power cord and discard with main plug. To prevent children from locking themselves in the appliance, remove the door.

Old appliances are not worthless rubbish! Valuable raw materials can be reclaimed from environmentally friendly recycling.

Please ask your dealer or inquire at your local authority about the current means of disposal.

## Before installing the dryer

Before installing the dryer to a previously used ductwork system make sure the system is clean. Professional ductwork cleaning is recommended annually and also when attaching your dryer to a previously used ductwork system.

Maintaining clean ductwork will reduce drying time and will improve drying performance.

### Unpacking the appliance

#### **CAUTION**

The dryer is very heavy. Do not lift it by yourself. Do not lift the appliance by projecting components (e.g. door) – due to risk of breakage.

#### **NOTICE**

Remove the appliance packaging carefully to prevent damage to the surfaces.

Check the dryer for transportation damage. Do not install a dryer which is visibly damaged. If in doubt, contact your dealer.

### Supplied components

#### **CAUTION**

The dryer is supplied without a power cord. The power cord must be connected by a qualified technician or a licensed electrician.

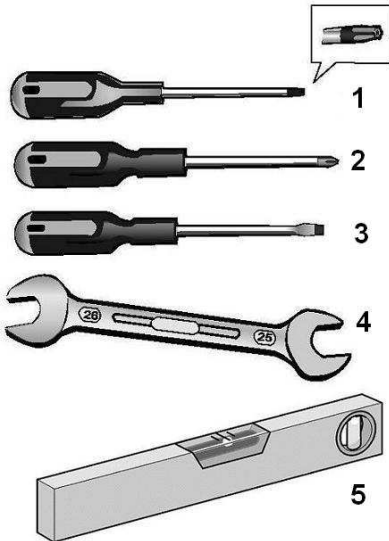
#### **NOTICE**

After removing the packaging, immediately remove any objects from the drum.

## Useful Tools

The following tools are helpful during installation:

1. T20 star head screwdriver
2. Philips screwdriver (#2)
3. Flat blade screwdriver
4. Open end wrench 1 in. (25mm)
5. Bubble level



## Checklist for Installation

1. Unpack the dryer.
2. Remove all objects from the drum.
3. Check the dryer for visible damage.
4. Position the dryer near the installation location (see page 7).
5. If required, change the door hinge to the left (see page 15).
6. If required, install the side or bottom exhaust air outlet on the dryer (see page 15).
7. Have the power supply cord fitted by a qualified technician or a licensed electrician (see page 9).
8. Check for "Y" connection, short hose and AQUASTOP® Hose included with the dryer packaging (see page 8).
9. Connect the water supply to the back of the dryer (see page 8 for detailed instructions).
10. Install exhaust ductwork if necessary.

Follow the installation instructions

supplied by the appropriate ductwork parts manufacturers (see page 14)

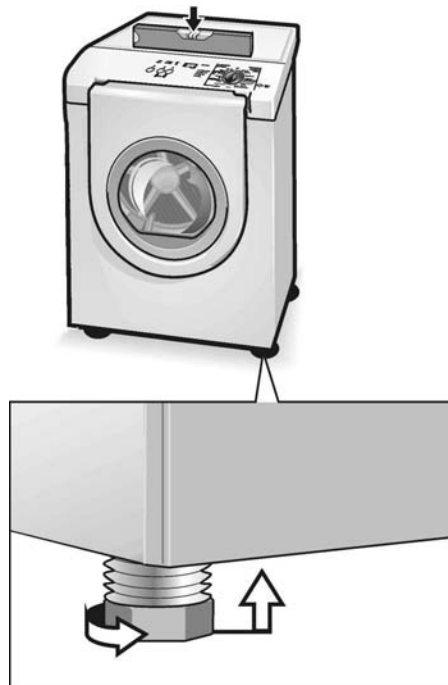
- i** If space is very restricted, it is recommended to fit the initial parts of the exhaust duct to the dryer before the dryer is moved to its final installation location.

11. Move the dryer to its final location.

### NOTICE

Do not slide dryer across the floor if height-adjustable feet have been extended. Feet and/or dryer base may be damaged if dryer is slid across floor with height-adjustable feet extended.

12. Position and then level the dryer.



The dryer should be level with all four feet firmly on the ground. The dryer must not wobble. If the dryer is not level or if it does wobble, the feet must be adjusted. Adjust the height-adjustable feet until the dryer does not rock and is level, both front-to-back and side-to-side.

- After making preliminary adjustments, press down on each corner of the dryer to make sure the unit does not wobble. If it does wobble, lower the foot on that corner until the foot touches the floor firmly.

Install the dryer and level side to side and front to back. Use a bubble level. Never remove the height-adjustable feet!

13. Connect the exhaust duct to the exhaust air outlet on the dryer (see page 13).
14. Insert the dryer electrical plug into the wall receptacle (see page 9).
15. Read the operating instructions to understand how your dryer operates. (see page 16).
16. Conduct an appliance test:
  - Check that the drum is empty.
  - Close the dryer door.
  - Switch the dryer to "Extra Dry" and then press the "Start" button.
  - After 3–5 minutes press the Stop button and open the door.
  - If the interior of the dryer feels warm, the dryer has been connected properly. Switch the dryer to "OFF".
  - If the dryer does not work, switch the dryer to "OFF". Look in the troubleshooting section (page 25) and find the fault.

## Installation location

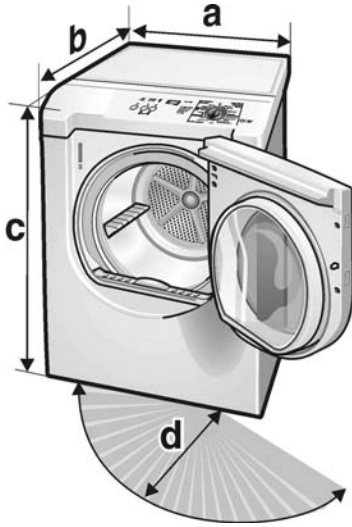
### **⚠** WARNING

DO NOT install the dryer:

- outdoors
- in an environment with dripping water,
- near flammable materials,
- in rooms which are at risk of frost,
- in rooms which may contain gas or other fuels,
- in cupboards with lockable doors or in alcoves.

The installation room must be well ventilated, otherwise the dryer will operate below optimum performance. Do not operate the dryer at temperatures above 104°F (40°C) or below 41°F (5°C). Low temperatures affect the automatic program sequence and may prolong the drying times. The installation surface for the dryer must be clean, level and firm. Do not install the appliance on carpets! Compensate for uneven floors with the height-adjustable feet.

The size of the installation area depends on the dimensions of the dryer. Ensure that there is adequate room for the swivel range of the door!



	Dimension	Weight
a	27.0" (686 mm)	125 lbs (56 kg)
b	31.8" (808 mm)	with packaging
c	37.2" (945 mm)	
d	19.7" (500 mm)/ angle	143 lbs (64 kg)
	170 – 180°	

If installing the dryer in a closet, observe the minimum distances according to the following table:

Minimum Installation Clearances

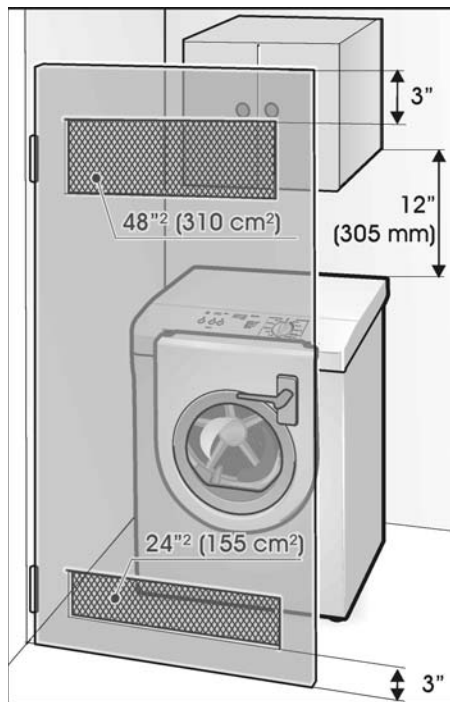
	Closet
Sides	0" (0 mm)
Top	12" (305 mm)
Rear*	0" (0 mm)

\* as close to wall as venting or water connection will allow.

Important information concerning minimum distances:

- Depending on the location of the exhaust air connection, an additional minimum distance of 5½ inch (14 cm) must be provided on this side for ducts/brackets (see page 15).

- Benefits of maintaining greater distance (clearances) than the minimum shown include:
  - reduction of the risk of mold formation behind the appliance.
  - reduced noise transmission
  - facilitation of installation and service.
  - more air cools the dryer, keeps the dryer from overheating, and improves drying performance.
- If the dryer is installed in a small room, the doors of the room must be fitted with vents of a specified minimum size. Refer to the following figure for additional information.



The dryer door is delivered with hinges on the right.

If the door hinge is to be changed over to the left see page 15.

### Water Connection

Attach the dryer water supply hose to a cold water faucet (the faucet must be located within 4 ft (1.2 m) of the water inlet valve on the back of the dryer).

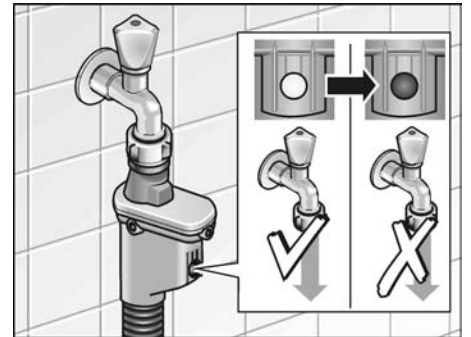
It is recommended to have a water supply pressure of 20 – 100 psi (1.37 – 6.89 bar) for best performance.

A “Y” connector is provided along with a short hose (if needed) in order to connect it to the cold water faucet.

## AQUASTOP® Hose

### NOTICE

Properly secured EXTERNAL hose connections are the sole responsibility of the customer. The manufacturer assumes no responsibility or liability for improperly installed EXTERNAL hose or other connections.



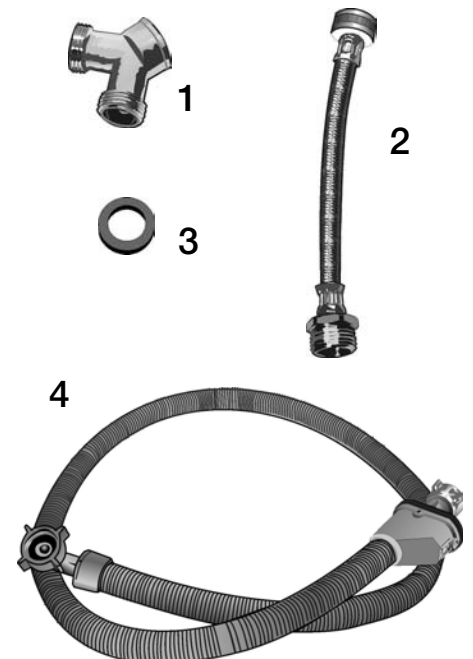
The AQUASTOP® Hose prevents potential flooding if the hose leaks.

If the hose leaks, a red mark is displayed and the water inlet is blocked.

- ❑ An AQUASTOP® Hose that has activated cannot be reset. Contact Customer Service for a replacement hose (see page 26).

### MISTCARE™ Dryer Parts Supplied

The following parts are included with the shipment of your dryer.



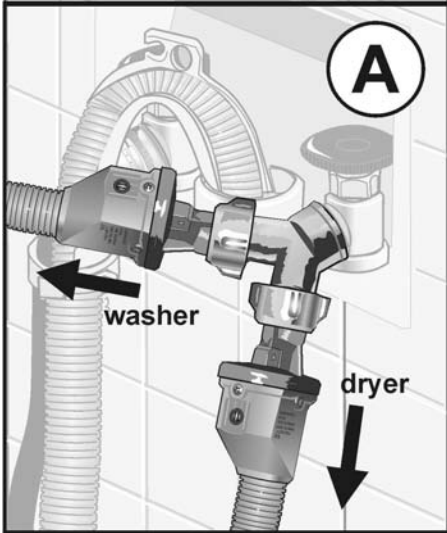


1. "Y" connector
2. Short metal-braided inlet hose
3. Rubber washer
4. AQUASTOP® Hose

### Connecting the Inlet Hose

**i** The dryer must be connected to the "Y" connector using the **AQUASTOP®** Hose. Do not use an old hose.

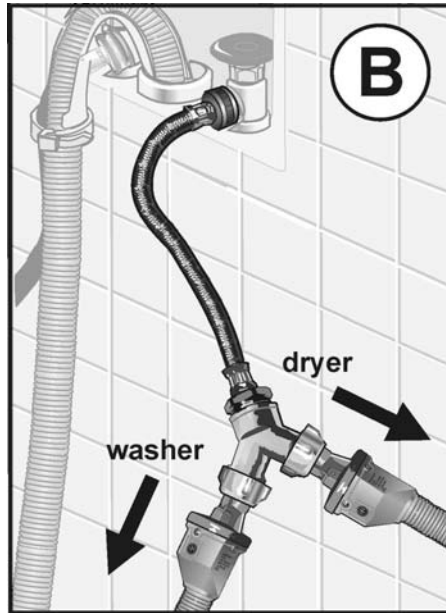
1. Turn off the cold water faucet and remove the washer water supply hose.



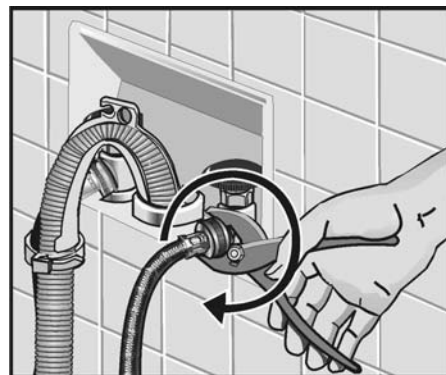
2. Check to be sure that the rubber washer is fully inserted and seated in the female end of the short hose prior to continuing. The rubber washer is shown as item 3 in the supplied parts illustration. It is illustrated separately from the hose for clarity.
3. If space permits, attach the internally threaded (female) end of the "Y" connector directly to the cold water faucet (option **A** as shown in the illustration above) and continue to step 6

#### For optional Installation with Y Connector

If the "Y" connector cannot be attached directly, use the short hose provided to connect the "Y" connector to the cold water faucet (option **B** as shown in the illustration shown), **and continue with steps 4 through 5.**

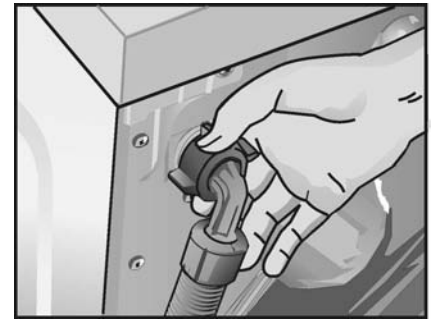


4. Attach the short hose to the cold water faucet. Tighten the connection by hand until the coupling is seated on the faucet.
5. Use pliers to tighten the connection an additional two-thirds turn.



- i** Do not overtighten. Damage to the coupling could result.
6. Attach the "Y" adapter to the short hose. Tighten the coupling by hand until it is firmly seated on the hose.
  7. Attach the washer cold water supply hose to the "Y" connector. Hand tighten.
  8. Attach the dryer **AQUASTOP®** Hose to the other coupling of the "Y" connector. Hand tighten.
  9. Tighten all three couplings on the "Y" connector an additional two-thirds turn using pliers.

**i** Do not overtighten. Damage to the coupling could result.



10. Attach the right-angle connector on the **AQUASTOP®** Hose to the inlet valve located at the top left of the dryer.

**i** Check to see that the rubber washer does not fall out, and is properly seated in the right-angle connector.

11. **Hand tighten** the coupling until it is seated on the connector. Do not use pliers, hand tighten only.

**i** Do not overtighten. Damage to the coupling could result.

12. Turn on the water faucet.

13. Check for leaks around the "Y" connector, faucet and all hoses.

## Electrical Connection

### **⚠** WARNING

Power cord must be connected by a qualified technician or a licensed electrician only.

Connect to individual Branch Circuit.

Do not use an adapter.  
Do not use an extension cord.  
Do not remove ground prong.

Your dryer comes without a power supply cord. The power cord must meet the following requirements:

- UL listed in the USA
- 208 – 240 volt rated (minimum)
- 30 amps
- Type SRDT or DRT (UL 2158)
- Five feet long (minimum)



## WARNING

Power cord must be connected by a qualified technician or a licensed electrician only. Use only a U.L. approved 30 amp power cord with strain relief clamp – note manufacturer's instructions.

Do not reuse old power cord. Cord must have closed loop or upturned end wire terminating connectors.

Do not make a sharp bend or crimp wiring/conductor at connections.

Only a 4-conductor cord shall be used when the appliance is installed in a mobile home, in a recreational vehicle, in a new branch circuit installation or an area where the local codes do not permit grounding through the neutral.

### Additional grounding procedure

- Some local regulations may require a separate ground. In such cases, the required accessory ground wire, clamp and screw must be purchased separately. Contact your local dealer or customer service for additional details (see page 26).
- Never ground the dryer to plastic plumbing lines, gas lines or water pipes.

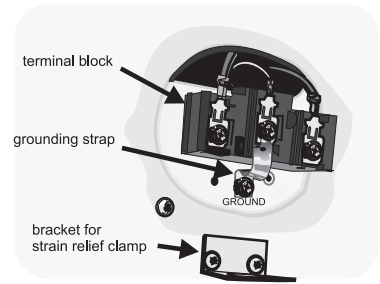
### Grounding instruction

This appliance must be grounded. In the event of a malfunction or breakdown, grounding will reduce the risk of electric shock by providing a path of least resistance for the electric current.

# Connecting the Power Supply (3 wire & 4 wire)

**⚠ WARNING**  
 Improper connection of the equipment grounding conductor may result in electric shock. Have the appliance checked by a qualified technician or licensed electrician if you are in doubt as to whether the dryer has been properly grounded.

Do not plug the end of the power cord into a live receptacle before connecting power cord to appliance terminals and closing the junction/splitter box as described below.



**1** Remove the two screws from the terminal block cover located at the top rear of the appliance. This will expose the terminal block assembly.

## 4 wire installation

**2** Loosen the bottom screw of the grounding strap. Straighten the grounding strap so it is vertical. Replace the green screw in the GROUND terminal hole.

**i** Make sure the grounding strap does not touch the back panel to avoid tripping the circuit breaker during dryer operation.

## 3 wire installation

**2** Make sure that there is a grounding strap in place. The illustration shows the grounding strap properly positioned, with the green screw fastened to the ground terminal.

**3** Fix a strain relief clamp (available from an electrical or building supply outlet) to the angle bracket. Tighten the nut to firmly fix the clamp in place.

## 4 wire installation

**4** Loosen the 2 screws labeled L and the single screw labeled N on the terminal block. Also loosen the screw on the GROUND terminal.

## 3 wire installation

**4** Loosen the 2 screws labeled L and the single screw labeled N on the terminal block.

Continued on the next page

#### 4 wire installation

- 5** Thread the 4-wire cable through the strain relief clamp. Tighten the strain relief clamp screws (2.5 Nm) so that the power cord cannot be moved.

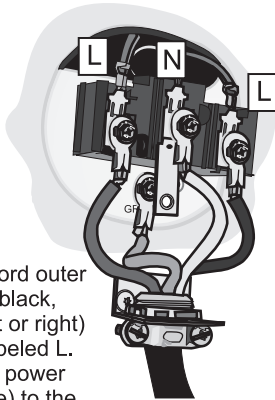
**i** This will hold the power cord in place and will make it easier to correctly install the terminal screws.



- 6** Attach the power cord ground conductor (green) to the GROUND terminal. Tighten the screw (2.5 Nm) so that the ground conductor is held securely in place.

Attach the 2 power cord outer conductors (red and black, either one can go left or right) on the 2 terminals labeled L. Attach the remaining power cord conductor (white) to the terminal labeled N.

**i** Make sure the terminal screws align properly with the terminal nuts to avoid stripping the threads.



#### 3 wire installation

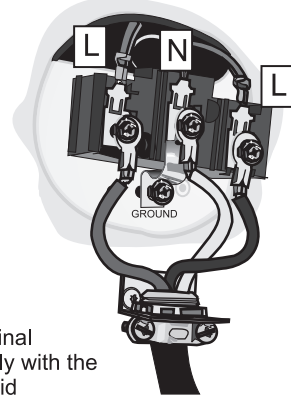
- 5** Thread the 3-wire cable through the strain relief clamp. Tighten the strain relief clamp screws (2.5 Nm) so that the power cord cannot be moved.

**i** This will hold the power cord in place and will make it easier to correctly install the terminal screws.



- 6** Attach the 2 power cord outer conductors (red and black, either one can go left or right) on the 2 terminals labeled L. Attach the remaining power cord conductor (white) to the terminal labeled N.

**i** Make sure the terminal screws align properly with the terminal nuts to avoid stripping the threads.



- 7** Tighten all 3 terminal screws (3 Nm) so that each of the wires is held securely in place.



### WARNING

After tightening the screws, test to see that the terminals are held securely in place to assure proper electrical connection, otherwise a hazardous condition could result.

- 8** Check the strain relief clamp to make sure that it is tight and cannot be turned.

- 9** Replace the cover on the terminal block and fasten it in place.

**i** Make sure the strain relief clamp is outside the cover!

- 10** The appliance is now ready to be plugged into a properly rated receptacle.

## Exhaust air connection

The following warnings must be adhered to without exception.

### WARNING

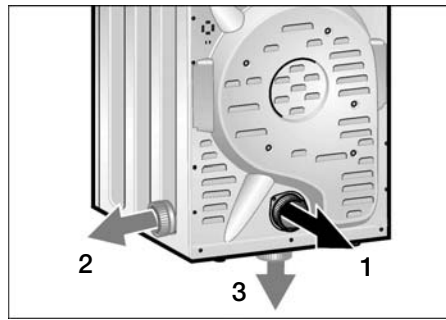
1. To reduce the risk of fire, this dryer **MUST BE EXHAUSTED OUTDOORS**.
2. To reduce the risk of fire, do not use ductwork longer than recommended. Refer to the maximum ductwork length table (see page 14).
3. **DO NOT** use a plastic, metal foil, or any other non-metal duct with this dryer. Only rigid or flexible metal duct shall be used for exhausting. Metal foil and flexible metal ducting are **NOT** the same.
4. **DO NOT** use more than 2.4 m of flexible metal ducting.
5. **DO NOT** use a duct smaller than 4 inches in diameter.
6. **DO NOT** exhaust the dryer into: a chimney, wall, ceiling, concealed space of a building, furnace cold air duct, attic, crawl space, or any other ductwork used for venting.
7. **DO NOT** install a flexible duct in an enclosed wall, ceiling or floor.
8. **DO NOT** crush or kink the duct.
9. Do clean and inspect the exhaust system on a regular basis; at least once a year.
10. The exhaust duct must terminate with an approved exhaust vent hood to prevent back drafts or entry of birds or other wildlife.
11. **DO NOT** use exhaust hoods with magnetic latches.
12. **DO NOT** assemble the duct work with screws or fasteners that extend into the duct. They serve as an accumulation point for lint. Joints should be secured with aluminum tape.

### Exhaust air outlet on the dryer

The dryer is delivered with an exhaust air outlet on the rear of the appliance.

To take account of the spatial requirements and an existing exhaust air system, the following connection options are possible for the exhaust air outlet:

- on right side of the appliance,
- on the underside of the appliance.



- 1 – Exhaust air outlet on the rear of the appliance (standard)
- 2 – Exhaust air outlet on the side (optional)
- 3 – Exhaust air outlet on the underside of the appliance (optional)

Special exhaust air connections can be obtained from your dealer, part supplier or customer service for either connection type (see page 15).

- Side exhaust kit
- Bottom exhaust kit

A qualified technician should change the exhaust air outlet to the optional connection location.

### Ductwork

The dryer vent system moves moist air away as your clothes tumble dry. You can shorten drying times, save energy and help ensure the safety of the system by making sure your dryer's exhaust duct system is properly installed and maintained.

### Important Points to Consider:

- Keep exhaust duct runs (total length of the exhaust duct system from the dryer to the exhaust hood outside) as short as possible (refer to the table "Maximum Ductwork Length" on page 14.)
- Use the minimum number of elbows needed when installing the exhaust duct system. Avoid placing two 90 degree elbows adjacent to one another.

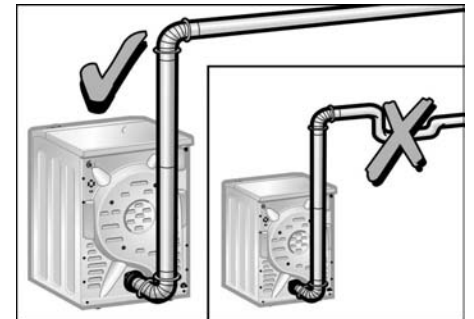
- Check and clean the exhaust duct system and exhaust hood at least once each year, and any time you suspect dryer performance is decreased.

Remove accumulated lint to prevent diminished air flow or clogging of the system. Professional cleaning is recommended annually and when attaching your dryer to a previously used exhaust duct system.

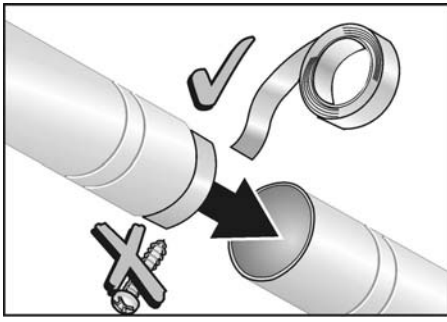
- Replace any plastic or metal foil venting sections with rigid metal or flexible metal ducting. Rigid metal ducting is recommended.

- i** Correct exhaust system installation is the responsibility of the consumer.

**Problems that result from incorrect installation are not covered by the appliance warranty.**



Exhaust ducting which is longer than specified in the maximum ductwork length table on page 14 is not permitted. Not adhering to this table will extend drying time, cause lint to accumulate and affect dryer performance and dryer life-time.



All joints should be tight to avoid leaks. The male end of each duct section must point away from the dryer.

Whether connecting to an existing venting system or a new venting system, make sure that all ducting is clean and free of lint.

The maximum permitted length for rigid duct and for rigid duct used with flexible metal duct is shown in the table below. If using flexible metal ducting to connect the appliance to the ductwork system, the total length of flexible metal duct used shall not exceed 2.4 m and can only be used to connect the dryer to the ductwork system. As the table below shows, the maximum overall ductwork length is reduced if flexible ducting is used.

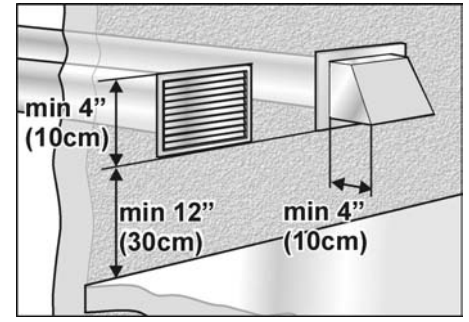
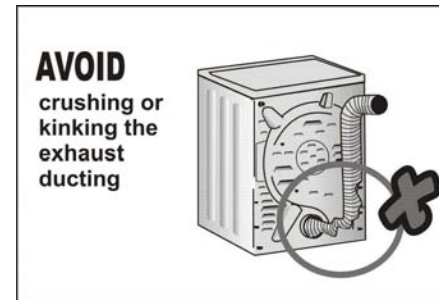
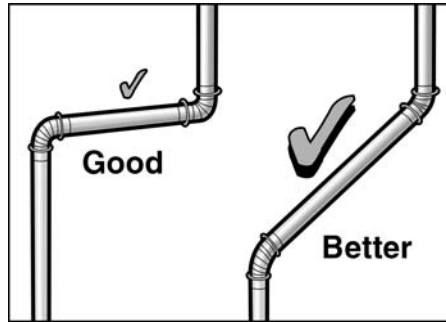
#### Maximum Ductwork Length

Number of 90° Turns or Elbows	Rigid Duct	Flexible Duct in Combination with Rigid Duct
0	66 ft. (2011 cm)	45 ft. (1372 cm)
1	56 ft. (1707 cm)	36 ft. (1097 cm)
2	48 ft. (1463 cm)	29 ft. (884 cm)
3	39 ft. (1189 cm)	22 ft. (671 cm)
4	30 ft. (914 cm)	16 ft. (488 cm)

#### Note:

Side and bottom exhaust installations have a 90° turn inside the dryer. Take this into account when using the table above.

More than two 90° turns are not recommended. For best performance, separate all turns by at least 4 ft. of straight duct, including distance between last turn and exhaust hood.



#### Required Ductwork Parts

The parts required for the exhaust air system (elbows, lines, exhaust air outlets) are not included in standard delivery of the dryer (see the Accessories section for information on ordering parts.)

Professional installation of ductwork is recommended.

#### Exhaust vent hood

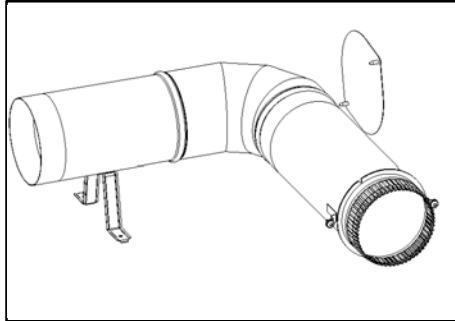
The exhaust duct must end with an approved exhaust vent hood with swing out damper(s). DO NOT use an exhaust vent hood with magnetic latches.

To avoid exhaust restriction, the outlet must be a minimum of 12 inches (30 cm) above ground level or any other obstructing surface.

## Accessories

The following optional accessories for your dryer may be obtained from customer service (see page 26) or from your local dealer. Please follow the installation instructions supplied by the appropriate manufacturer.

### Side exhaust kit



part no. **WTZ 1265**

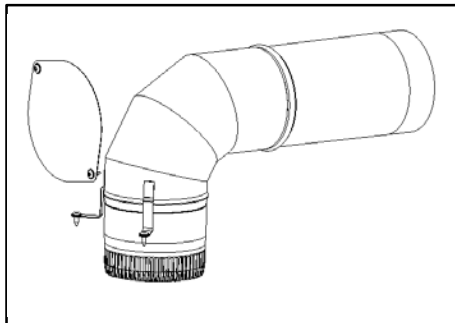
#### Note:

See notes on maximum number of elbows on page 14.

**i** A special tool is required for cutting the exhaust hole in the dryer side panel.

For further information please contact your local dealer.

### Bottom exhaust kit

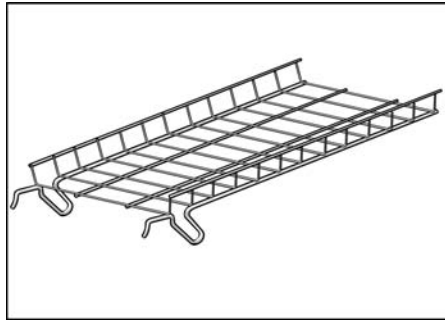


part no. **WTZ 1270**

#### Note:

See notes on maximum number of elbows on page 14.

### Dryer rack



part no. **WTZ1290**

Use the dryer rack to dry washable woolen textiles (e.g. sweaters) and shoes.

### Left hinge kit

part no. **WTZ1260** for white

part no. **WTZ1260S** for solid silver tone and for duo-tone color

The door is hinged on the right side at the factory. The door catch can be reversed if necessary. Please contact your dealer or our customer service team (see page 26)

### Pedestal Mounting Kit

8 inch pedestal accessory number

**WTZ 1295** for solid white color

**WTZ 1295S** for solid tone silver

**WTZ 1295P** for duo tone silver/white

15 inch pedestal accessory number

**WTZ 1500** for solid white color

**WTZ 1500S** for solid tone silver

**WTZ 1500P** for duo tone silver/white

**WTZ 1500C** for duo tone champagne/white

If mounting the dryer on the pedestal follow the instructions supplied with the pedestal before proceeding any further.

## Preparing to transport the dryer – step by step

**i** These procedures should only be performed by a qualified person.

1. Rotate the program selector to "OFF".
2. Disconnect the power supply (turn circuit breaker off, unplug the appliance)
3. Turn off the water faucet connected to the water supply hose. Disconnect the water supply hose.
4. Disconnect the exhaust duct from the exhaust air outlet on the dryer.
5. Collect any accessories and package them for shipment with the appliance.
6. Close the door and secure with adhesive tape.
7. Screw the height-adjustable feet of the dryer into the housing to prevent them from being damaged during transportation.
8. **Reinstallation of the Dryer at the New Location** – refer to the Installation Instructions in this manual (see page 6).

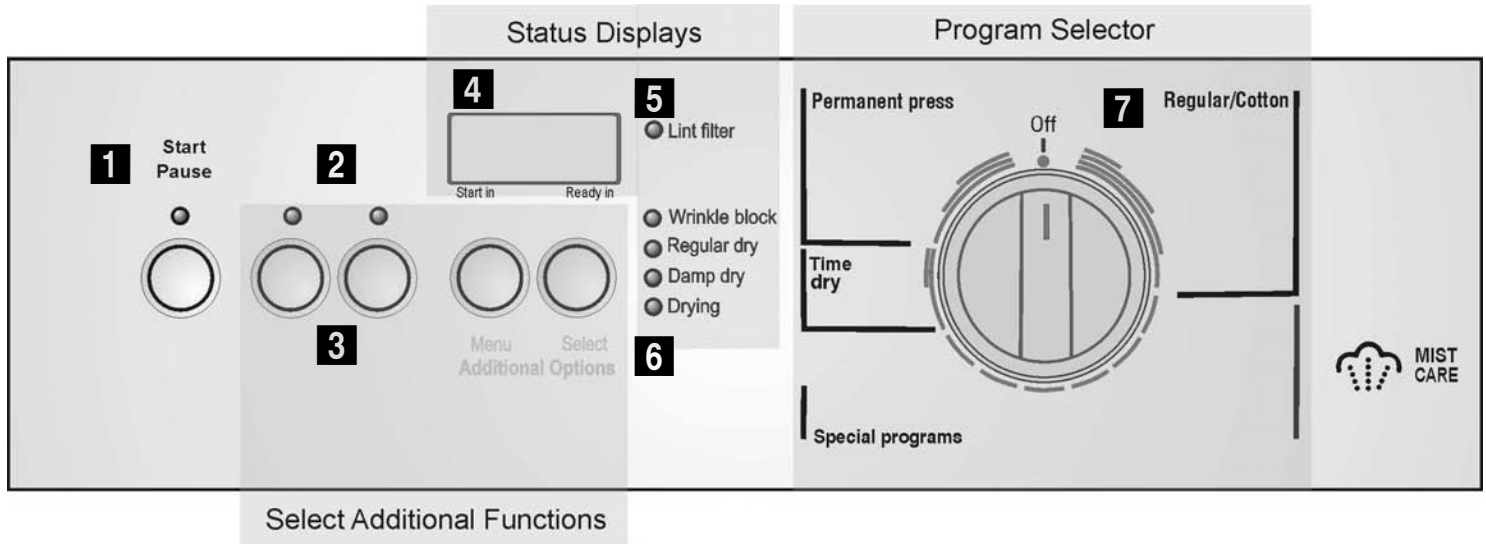
# OPERATING INSTRUCTIONS

## Before using

### WARNING

Before using your dryer, read and follow all installation and operating instructions.

## Panel



### **1 Start/Pause button**

Starts, interrupts and ends the drying process.

#### **Start/Pause LED Status**

**Lit Red:** Program is running and "Pause" can be activated.

**Blinking:** Settings can be changed, the drying cycle can be started, or program is in "Pause" mode.

**Not Lit:** Program is finished or there is no program selected.

### **2 Option buttons**

Add functions to the program selected. The option button LED is lit when the option is selected. Press the option button again to turn the option off (LED turns off).

**Delicates low temp:** Press for temperature-sensitive textiles (e.g. acrylic fibers). The temperature of the drying process is reduced, the drying time is extended correspondingly.

**ECO e:** Press for additional energy savings (use only for cotton and permanent press auto programs). Press the option button prior to starting an automatic program.

### **3 Signal (500 Series)**

Press the two option buttons at the same time to enable an acoustic signal that indicates the end of the program (see page 18). The 800 Series signal is set on the LCD menu (see page 20).

### **4 Display**

#### **500 Plus Series**

Indicates the estimated remaining time of programs.

#### **800 Series**

Indicates the settings of the additional options and the estimated remaining time of programs. (See page 20)

#### **Additional Options**

**Menu** selects one of the additional options

**Select** changes the settings of the selected option

### **5 Lint Filter LED**

**Blinks as a reminder to clean the lint filter before and after use.** Lit (steady) when the door is opened during a program, or in the event airflow is reduced enough to create an E:01 error (see troubleshooting guide, page 25).

### **6 Indicator Lights**

LED'S light up in sequence to show the current moisture state of the drying process.

**Wrinkle block** – at the end of the drying program an acoustic signal sounds and the Wrinkle block LED lights up. The drum rotates at specific intervals for one hour to prevent the laundry from creasing (see page 18).

### **7 Program Selector**

Switches the machine on and off and selects the program (see page 18). Can be turned in both directions.

To switch off the dryer, rotate the program selector to "Off".



---

## Additional Safety Information



### WARNING

Always follow the IMPORTANT SAFETY INSTRUCTIONS (see page 4).

---

## Protection of the environment

### Tips on saving energy

To save energy, money and time, Bosch recommends the following:

- **Drain the laundry thoroughly!**  
Before drying, spin the laundry thoroughly in the washing machine. Use the highest possible spin speed for the type of laundry! Higher spin speeds reduce the drying time and the energy consumption.
- **Use optimum load!**  
Use maximum recommended loads. However, do not exceed loads.
- **Clean filter!**  
Clean the filter before and after each drying process (see page 22).
- **Ventilate the room!**  
During the drying process provide an adequate supply of fresh air.
- **Do not dry unsuitable materials!**  
Do not dry rubberized or air-tight items.
- **Clean and inspect the exhaust system on a regular basis!**  
Blockages may extend drying time or may cause the dryer to malfunction.

---

## Temporary disconnection of the dryer

Operate your dryer only when you are at home. If you intend going on vacation or are not using your dryer for an extended period of time, you should:

1. Turn off the circuit breaker.
2. Pull out the power supply plug if possible.
3. Clean the lint filter.
4. Turn off the water supply.

---

## Laundry

### Identification of fabrics

Observe the treatment symbols on the textile labels. They provide valuable information as well as limitations about the drying process.

Do not dry the following textiles in the dryer:

- Air-tight textiles (e.g. rubberized)
- Delicate fabrics (silk, synthetic curtains)

**i** Dry woolen or wool-rich textiles with dryer rack only!

**i** Use the time program “Air fluff/No heat” to dry articles containing foam rubber or similarly textured rubber-like materials.

## Drying tips

In principle, the following applies to all drying programs:

- To ensure a uniform drying result, sort the laundry according to fabric type and drying program.
- Fasten zippers, hooks and eyes. Fasten loose belts, apron strings, etc..
- Do not overdry easy-care laundry – risk of wrinkling! Leave laundry to dry in the air.
- Do not iron laundry immediately after drying. Place the laundry in a pile for a short while. Residual moisture will then be distributed uniformly.
- Knitted textiles (e.g. T-shirts, cotton jersey laundry) often shrink when dried for the first time. Do not use the “Very dry/Extra dry” program.

# Program selection

For optimum drying results your dryer offers several program groups and additional options.

**Automatic programs** include Regular/Cotton and Permanent press. Program selection is based in part on the laundry fabric type. These programs are controlled via moisture sensors. Program time is determined by the measured degree of moisture in the laundry and on the degree of dryness selected (e.g. Damp dry, Regular Dry, Extra Dry).

**Time programs** run for a user specified length of time. The Air fluff/No heat timed cycle uses ambient air (room temperature) without a heat supply and runs for 20 minutes.

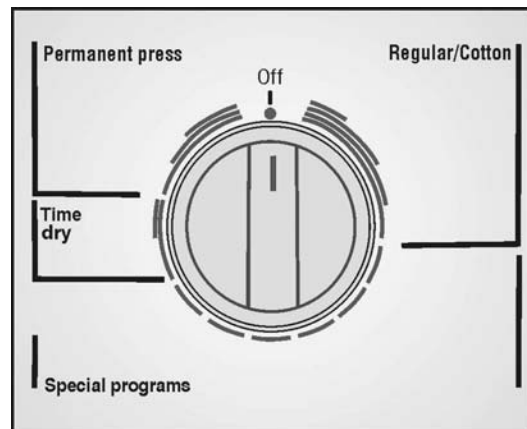
**Special programs** are custom designed for specific types of fabric such as wool or jeans. Wool or woolen products should only be dried using the dryer rack.

**MISTCARE®** cycles are best suited for smoothing out wrinkles and reducing odors. These programs should be used with loads consisting of three to four items made of wrinkle free cotton, cotton/polyester blend, cotton knit pullovers or synthetics.

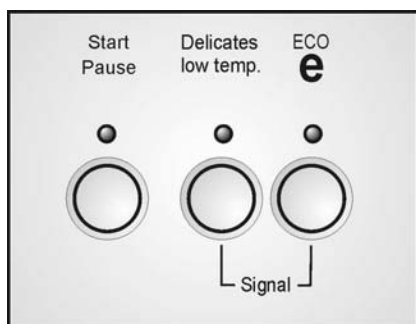
During this cycle a small amount of water is sprayed into the drum while tumbling with heat. This process is repeated, followed by additional tumbling and a brief cool down period. The heat level and time are preset for these programs.

Note: Results may vary with fabric type. Garments that are 100% cotton and have wrinkle-resistant finish may give better results.

If the nozzle stops spraying during one of the **MISTCARE®** cycles (symptoms would be water is not seen spraying into drum, clothes are less wrinkle-free than they customarily are with this function) check to be sure the nozzle is not clogged. Lint may accumulate to block the nozzle tip or hard water may cause buildup on the nozzle (see page 26).



## Option Buttons



### Delicates low temp.

Press the "Delicates low temp." button for temperature sensitive textiles. Observe the care information or symbols on the textiles. The temperature of the drying process is reduced, the drying time is extended.

### ECO e

Your dryer has an "energy savings" ECO option. This option is used only with cotton and permanent press automatic programs. Less heat is applied, and drying time is extended. Press the option button prior to starting an automatic program.

**i** The length of the ECO e program is affected by the load size, textile type and climatic conditions.

**i** Combining with the Delicates low temp. button can produce more savings.

## Signal 500 Series

Your dryer outputs different signals for certain events. You may enable or disable the signal by simultaneously depressing the buttons shown. The following audible tones will be generated indicating the status of the appliance.

Signal	Type
Start	Short tone
End	Sequence of short tones
Mal-operation	Sequence of long tones
Warning of malfunction	Sequence of long tones

**i** The signal "Warning of malfunction" is active regardless of whether or not the signal has been disabled.

## LED Indicators of Program Sequence

The dryer uses an electronic scanning system for all programs except the time programs. A moisture sensor continuously checks the moisture in the laundry. Drying ends automatically as soon as the selected degree of dryness has been reached.

The drum continues to rotate at specific intervals for one hour to prevent creasing.

The current degree of drying and the level reached during the program sequence is indicated via indicator lights (Drying, Damp dry, Regular dry, Wrinkle block).



**i** If the indicator light "Wrinkle block" illuminates when the program selector is in Off-Position – turn off the circuit breaker and call for customer service!

## Automatic Programs

### Regular/Cotton ECOSENSOR

For Cottons and coloreds made of cotton or linen. Press the “Delicates low temp.” option button for temperature-sensitive textiles.

<b>Damp dry</b>	Bed linen, table linen, towels	to be ironed
	Bed linen and table linen, towels, T-shirts, sports shirts, overalls	
	T-shirts, sports shirts, dresses, trousers, overalls, underwear	
<b>Regular dry</b>	Terry towels, kitchen towels, hand towels, bed linen, underwear, cotton socks	not to be ironed
<b>Very dry</b>	Terry towels, kitchen towels, hand towels, bed linen, underwear, cotton socks	not to be ironed, thick multi-ply
<b>Extra dry</b>	Terry bathrobes and terry bed linen,	particularly thick or multi-ply

### Permanent press ECOSENSOR

Easy-care (drip-dry) laundry made of synthetic and blended fabric (e.g. cotton/polyester). Press the “Delicates low temp.” button for very temperature-sensitive textiles.

<b>Damp dry</b>	Trousers, dresses, skirts, shirts, blouses, leggings, sports clothing with synthetic-rich fibers, lingerie	not to be ironed or only lightly ironed
<b>Regular dry</b>	Shirts, blouses, sports clothing	not to be ironed
<b>Very dry</b>	Bed linen and table linen, track suits, comforters, blankets	not to be ironed, thick multi-ply

## MISTCARE® Programs

<b>MISTCARE® Refresh</b>	Cotton, cotton–polyester blends, common knits and synthetic shirts, cotton blend pants, skirts, t–shirts and pullovers. Wrinkle free fabrics give best results. Helps smooth out wrinkles and reduce odors. Use with a light load, such as one consisting of 3 to 4 shirts. Program time is about 16 minutes.	
<b>MISTCARE® Wrinkle relax</b>	Helps smooth out wrinkles. Use with a light load, such as one consisting of 3 to 4 shirts. Program time is about 12 minutes.	
<b>MISTCARE® Touch up</b>	This program is used to refresh a cotton textile load that has been dried and has been left in the drum of the dryer at the end of the cycle overnight. This 20 minute program refreshes the load to help smooth out the wrinkles caused by the load pressing down under its own weight.	
	Clothing containing foam, rubber, or plastic must be refreshed on a clothes–line or by using the Air–fluff/No heat cycle as these articles may ignite due to the heat of the MISTCARE® program.	

## Special Programs

<b>Wool</b>	Washable woolen textiles (e.g. sweaters, woolen pullover, skirts) <b>Dry woolen or wool–rich textiles with dryer rack only!</b>
<b>Jeans</b>	Heavy jean fabric
<b>Quick</b> (800 Series)	Small loads, loads that need a short drying time (e.g. sports shirts, work–out clothes (cotton, synthetic))

## Time Programs

<p><b>30 min., 60 min.</b> (500 Series)</p> <p><b>Medium +</b> required drying time (800 Series)</p> <p>(800 Series) If you choose a program with variable time (e.g. time programs, wool care) the display starts to flash. You have to set the time.</p>	<p>Pre-dried textiles with low moisture content, individual small items, e.g. bath towels, bathing suits, dish cloths. For the smallest loading condition from 0.22 lb – 0.44 lb (i. e. one small towel), for this a time dry program should be selected</p> <p>Press the “Delicates low temp.” button for temperature-sensitive textiles option.</p> <p>– Cottons and coloreds made of cotton or linen.</p>
<p><b>Air fluff / No heat</b> (500 Series)</p> <p><b>Air fluff / No heat +</b> required time (800 Series)</p>	<p>Freshening or airing little worn items of clothing and drying of extreme sensitive textiles. For all textile types inclusive foam rubber (e.g. pillows, stuffed toys), plastic (e.g. shower curtains, table clothes), rubber (e.g. backed rugs), sheer nylon, olefin.</p>

## Additional options 800 Series

**i** Before setting additional options, choose a program with the program selector!



Select the option to be changed with the “Menu” button. Press the button to **move** to the next option on the display. The active symbol starts flashing.

The current active option setting is displayed on the right.

These settings can now be changed with the “Select” button. Press the button to jump to the next possible setting.

**i** Pressing the “Menu” button again, saves the previously settings. If you don’t press any button for 10 seconds the settings are saved automatically.

Symbol	Function	Settings	Explanation
	Sets the delay start time of the dryer (Start in .. hours!)	0–12 h (0.5 h steps)	
	Extra care (more gentle than “Delicates/low temp.”)	On/Off	If you have chosen the additional option “Extra care” the “Delicates/low temp.” indicator light illuminates. Pressing the “Delicates/low temp.” button cancels the additional option “Extra care”.
	Child-proof lock (only effective while the program is running)	On/Off	This additional option allows you to lock your settings to prevent unintended use of the dryer. To start the dryer when the Safety guard is active: Press and hold the “Start/Stop” button for 4 seconds. To unlock this additional option when the dryer is running: Press and hold the “Start/Stop” button for 4 seconds.
	Extra Drying Time User selectable degree of dryness	0, 1, 2, 3 (0=default, 1=dryer, 3=dryest)	If you have chosen the steps 1 to 3 of the additional option “Degree of dryness” the symbol ☀ is displayed. <b>0</b> is standard setting – symbol ☀ is not displayed.
	Volume of the end signal and the damp dry signal	Off, medium, maximum	Your dryer outputs different signals for certain events. You may enable or disable the signal by simultaneously depressing the buttons shown.
	Spin speed optimized drying time coordinates the remaining time displayed for the dryer to the spin speed at which the laundry was previously spun in the washing machine	400 600 800 1000 120	To optimize the remaining time display, the spin speed at which the laundry was previously spun in the washing machine can be entered by the user.
			<b>Event</b> <b>Signal</b>
			Enable Signal                      Short tone
			Disable Signal                      Two short tones
			Start Cycle                      Short tone
			End Cycle                      Sequence of short tones
			Mal-Operation                      Sequence of long tones
			Warning of Malfunction                      Sequence of long tones (maximum volume)

# Operation

## Using the dryer

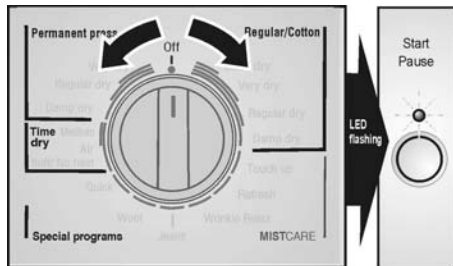
1. Open the door.



2. Check lint filter.

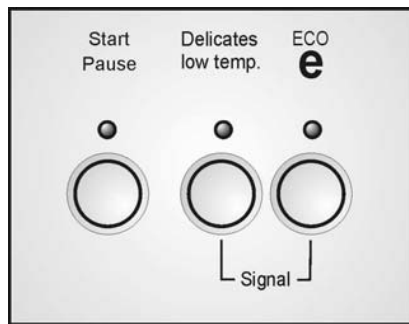
The filter should be cleaned before and after using the dryer. Cleaning the filter reduces the drying time and saves energy. (See page 22 for lint filter cleaning instructions).

- i** Bleach may cause discoloration of the dryer's colored surface. Therefore, it is important to keep bleach away from the colored surface of your dryer. If any bleach spills on the surface, use a moist paper towel to thoroughly clean it immediately.



3. Rotate program selector to the desired program. Select the program which corresponds to the laundry in the dryer from the program selection table (see page 18). The dryer light turns on inside the drum.

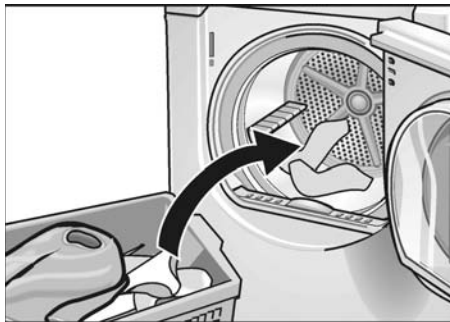
- i** The "Start/Stop" indicator light starts flashing.



4. If required, select an available option ("Delicates low temp" or "ECO e") by pressing the corresponding button (see figure above).

All available "Options" are explained on page 18.

- i** The estimated remaining time will be displayed.



5. Place laundry in the empty drum. Put each piece of laundry into the machine separately. For best results the laundry to be dried must be sorted according to type of laundry and desired degree of drying. For further information see page 17.

- i** Observe drying symbols of the laundry manufacturer. If drying woolen clothing and shoes, see the information on page 22.

Ensure that there is only laundry in the drum. Check that all items are completely in the drum.

6. Close the door.



The "Start/Stop" indicator light continues flashing.

- i** If the door has not been closed properly, the dryer will not start.

7. Press the "Start/Stop" button. The "Start/Stop" indicator light illuminates.

- i** The program starts with an acoustic signal (if set).

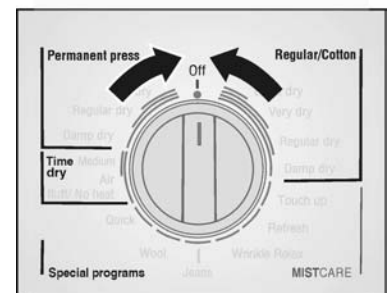
If a standard program has been selected, the indicator lights indicate the progress of the program sequence.



- i** At program end an acoustic signal is emitted (if set) and the LED "Wrinkle block" illuminates.

- i** When the drying process is complete (program or selected time program ended), the drum rotates at specific intervals for 1 hour. This prevents the laundry from creasing. The laundry remains loose and fluffy until it is removed. The laundry should be removed before this time has elapsed.

8. Open the door.
9. Take the laundry out of the dryer.



10. Rotate the program selector to "Off".

The dryer light goes out.

11. Clean the filter. The filter should be cleaned after each drying process. Cleaning the filter reduces the drying time and saves energy.

12. Close the door.

## Cleaning the lint filter

A dirty filter extends the drying time and increases energy consumption. The filter should be cleaned before and after each drying process. If a warning signal and an "E:01" warning message are emitted during a drying program, clean the filter immediately and check the exhaust duct.

**i** The program interrupts automatically.

1. Switch off the dryer by turning the program selector to "Off".

### CAUTION

The inside of the door heats up during the drying process.

2. Open the door.



3. Remove the lint filter.



4. Remove lint by stroking your hand over the filter.

The filter should be lightly scrubbed twice a year with warm soapy water. The filter is clean when it no longer holds water. The filter must be dried thoroughly before being replaced.



5. Insert the filter.
6. Close the door.

## Using the dryer rack

(Option, see page 15)

Use the dryer rack to dry washable woolen textiles (e.g. sweaters) and shoes. The dryer rack remains stationary while the drum rotates. Damp wool should not be moved, as it has a tendency to matt. Drying shoes without a rack could damage the drum.

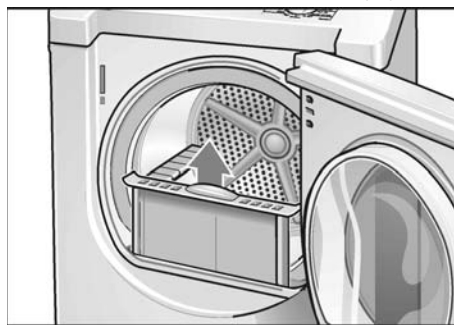
**i** The dryer rack must be used for drying with the wool cycle. If the rack is not used, the sensor will shut the dryer off after approximately 7 minutes.

### NOTICE

Dry only one item of clothing or one pair of shoes – maximum dry load 2.2 lbs (1 kg)! The laundry must have been spun! Only dry prewashed shoes! The laundry must not touch the drum! It could jam and be damaged. After using the dryer rack, take it out of the dryer immediately.

#### Inserting the dryer rack

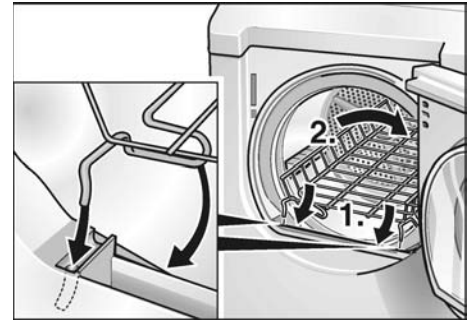
1. Open the dryer door.
2. Check that the drum is empty.



3. Remove the lint filter.



4. Place the dryer rack horizontally into the drum.



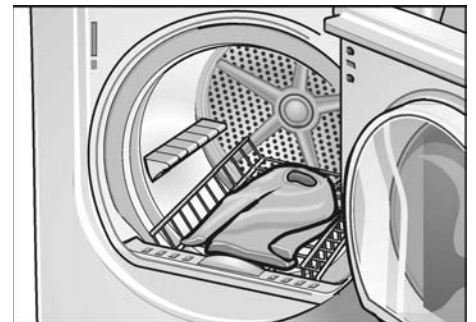
5. Place the dryer rack so that the catches are inserted at the front in the locating holes.



6. Insert the lint filter. The lint filter must be inserted flush with the drum edge!

#### Drying laundry items on the dryer rack

1. Fold laundry to fit the dryer rack.

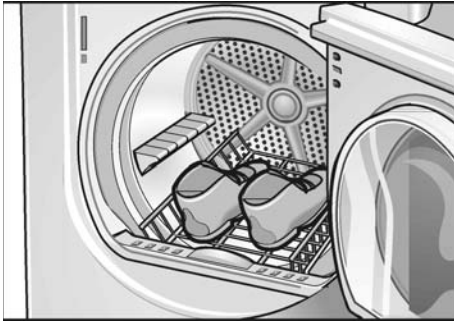


2. Place laundry loosely on the basket. Do not crush! Laundry must not touch the drum! Do not allow items to hang over the dryer rack!
3. Close the door.

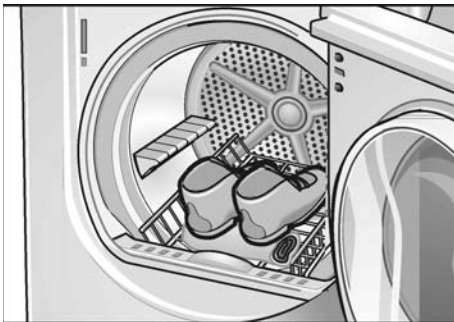
4. Rotate program selector to “Time dry/.... min.”.
- Select the drying time according to the laundry type.

### Drying shoes on the dryer rack:

1. Prepare shoes.
  - Clean shoes to prevent the drum from becoming soiled.
  - If preparing sports shoes, extend the tongue.
  - Loosen or remove shoe-laces.
  - Remove insoles and heel pads.

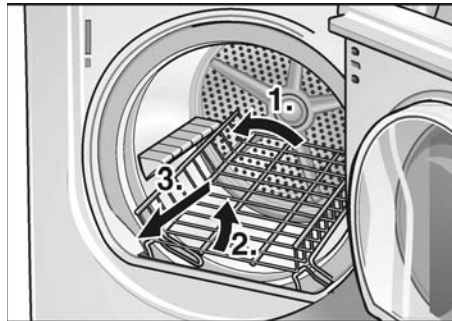


2. Place shoes on the rack.
  - Directly on the dryer rack
  - or
  - Roll up a towel and place the heels of the shoes on the towel. This will ensure a more uniform drying result.



3. Close the door.

4. Press the “**Start/Stop**” button. The “Start/Stop” indicator light illuminates.
5. If the item of clothing still contains residual moisture after the indicated drying time:
  - Fold the item of clothing so that the damp parts are on the outside.
  - Restart the program and reduce the drying duration depending on the degree of residual moisture.
6. After drying, spread and expose the laundry to air for approx. 15 min. (shoes for approx. 30 min.).
7. Remove the lint filter.



8. Take the dryer rack out of the drum.



9. Re-insert the lint filter.

# Cleaning and care

## Cleaning the dryer

### **WARNING**

**TO AVOID RISK OF EXPLOSION!**  
Never use solvents or highly flammable liquids for cleaning.

### **NOTICE**

Incorrect cleaning may damage the dryer. Do not spray with a water jet. Do not use scouring agents or all-purpose cleaners. Do not use steam cleaners.

Wipe the housing and fascia with a soft cloth and soapy water only.  
Wipe the drum, door seal and inside of the door with a damp cloth only.

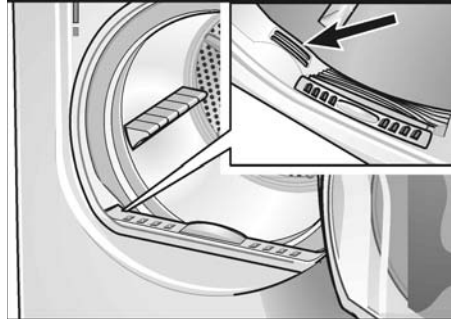
## Cleaning the exhaust duct

Inspect and clean the exhaust ducting at least once a year to prevent clogging. A partially clogged exhaust will lengthen the drying time and will result in poor performance of the dryer.

- Turn off the circuit breaker
- Pull out power supply plug
- Disconnect the duct from the dryer.
- Vacuum and reconnect the duct.

## Cleaning the moisture sensor

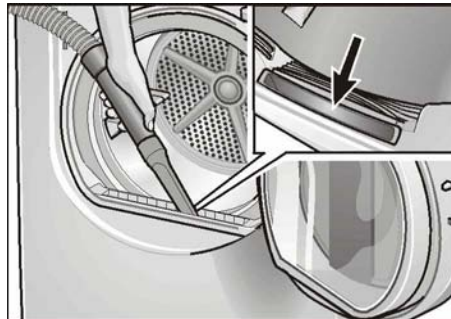
The moisture sensor has to be cleaned because a fine layer of transparent buildup is deposited on the sensors.



This deposit can easily be removed by wiping the sensors (the two bars next to the lint filter) with a cloth and a little white vinegar.  
Use white vinegar only!  
Clean the moisture sensor once a month.

## Cleaning the bearing shield

Over time, fluff from the drying process collects in the bearing shield.



This fluff can be easily removed using your vacuum cleaner, at least once a month.

## Cleaning the MISTCARE™ Nozzle

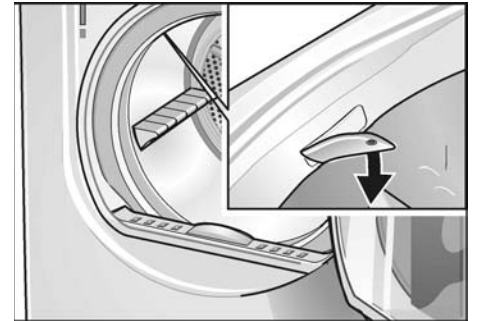
Once a year inspect the nozzle outlet. If you suspect blockage, wipe the outside of the nozzle with a cloth moistened with vinegar. If the nozzle is completely blocked, consult the troubleshooting guide (see page 26) for removal and cleaning instructions. If the nozzle remains blocked, call customer service (see page 26).

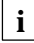
## Change the light bulb

The dryer light turns on inside the drum when you open the door.

To change the light bulb:

- Set program selector to "Off".
- Turn off the circuit breaker.
- Pull out power supply plug.
- Open the door and locate the light bulb on the upper left side of the seal.



- Loosen the screw of the cover and open the cover.
- Turn bulb counterclockwise. Replace the bulb with a new appliance bulb only (obtainable through parts department).
-  Parts are available at [www.boschappliances.com](http://www.boschappliances.com) or by calling 1-800-944-2904.
- Replace the cover and secure with the screw.
- Plug in dryer or reconnect power supply.



# Troubleshooting

## WARNING

TO AVOID RISK OF ELECTRICAL SHOCK! Repairs or replacement of parts shall be carried out by qualified technicians or licensed electricians only.

Before calling the customer service, check whether you can rectify the fault yourself by means of the following table.

If a fault cannot be rectified or a repair is required:

1. Set program selector to "Off".
2. Turn off the circuit breaker.
3. Pull the main plug out of the socket.
4. Call customer service (see page 26).

Problem	Possible cause	Remedial action
Dryer does not start. "Start/Stop" indicator light does not illuminate.	Main plug not inserted at all or not inserted correctly.	Insert main plug correctly.
	A fuse of power supply has tripped.	Replace/switch on fuse.
	"Start/Stop" button not pressed.	Press "Start/Stop" button.
	No program selected.	Select program.
	Door not closed.	Close door.
Program has been interrupted. A warning signal is emitted and the display shows "E:01".	Ambient temperature below 41°F (5 °C.)	Increase room temperature.
	Lint filter dirty.	Clean filter as described on page 22. Switch off/switch on again.
	Exhaust air duct is blocked or too long.	Clean exhaust air duct. Reduce exhaust air duct to maximum length as described on page 14. Switch off/switch on again.
	Fault in program sequence or malfunction.	Switch off dryer, leave to cool down for 30 min, switch on again. Restart program.
Degree of drying has not been reached or the drying time is too long. Display may indicate "E:03".	The room/cabinet is not adequately ventilated.	Provide an adequate supply of fresh air. Switch off/switch on again.
	Moisture sensor dirty.	Clean moisture sensor as described on page 24. Switch off/switch on again.
	Exhaust air duct is blocked or too long.	Clean exhaust air extraction. Reduce exhaust air duct to maximum length as described on page 14. Switch off/switch on again.
	Lint filter dirty.	Clean filter as described on page 22. Switch off/switch on again.
	Laundry was too wet.	Spin laundry at higher speed in the washing machine. Switch off/switch on again.
	Unsuitable program selected.	Select program with aid of the program selection table (see page 18). Switch off/switch on again.
	Maximum drying time was exceeded.	Clean lint filter (see page 22). Check exhaust air extraction. Spin laundry at a higher speed in your washer.
	Motor limit temperature was exceeded.	Switch off dryer, leave to cool down for 30 min. Switch on again. Start program.
Degree of dryness not correctly set	800 Series, Change settings for degree of dryness, see page 20	
Drum light does not function.	No program selected.	Select program.
	Light bulb defective, light bulb burned out.	Change light bulb, see page 24.
	No power supply.	Guarantee power supply.
	Light bulb is loose.	Tighten light bulb. Remove and reinstall the cover as directed on page 24.
"Start/Stop" indicator light does not illuminate. "Wrinkle block" indicator lights. The display shows "000".	Fault in program sequence or malfunction.	Switch off dryer, leave to cool down for 30 min, switch on again. Restart program.
Lint filter LED is blinking after lint filter has been cleaned	Blinking of lint filter LED is not an indication of a problem. It is used only as a reminder.	No action required. Light will stop blinking.

## Troubleshooting (continued)


Problem	Possible cause	Remedial action
Unusual noise: thumping sound	Drum suspension rollers need time to warm up.	No action required. As suspension system rollers warm up thumping will decrease and should stop within 2 to 3 minutes of dryer use
Unusual noise: Steady vibration	Dryer is not level.	Level the dryer (see user manual section "Installation Instructions")
Unusual noise: Rhythmic vibration	Laundry balled up causing load to bounce.	Stop dryer, separate load items, restart dryer.
Water is not sprayed into the unit during MISTCARE™ cycles	Water tap(s) not turned on.	Turn on water tap.
	AQUASTOP® Hose safety feature activated.	Confirm activation of AQUASTOP® Hose by visual inspection of red indicator in hose (see page 8). If red indicator shows (hose is activated) replace hose.
	Blocked nozzle	Remove the nozzle using a 7/16 inch socket wrench. Place the nozzle into a container filled with enough white vinegar to cover the nozzle. Allow the nozzle to soak for five minutes, then scrub the nozzle tip gently with a toothbrush to remove residue. Rinse the nozzle and reinsert it back into the dryer and hand tighten, then tighten 1 additional turn with the wrench.

## SERVICE and REPAIR

### WARNING

**WARNING** – Label all wires prior to disconnection when servicing controls. Wiring errors can cause improper operation that could cause serious damage to the appliance or personal injury. Verify proper operation after servicing.

The Bosch dryers require no special care other than the care and cleaning noted above.

 If you are having a problem with your dryer, please refer to the troubleshooting table on page 25, before calling for service.

If service becomes necessary, contact your dealer or installer or an authorized service center. Do not attempt to repair the appliance yourself. Any work performed by unauthorized personnel may void the warranty.

If you are having a problem with your Bosch dryer and are not pleased with the service you have received:

- First, please contact your installer or the Bosch Authorized Service Contractor in your area and explain to them why you are not satisfied. This will usually correct the problem.
- If after working with your installer or service person the problem still has not been resolved to your satisfaction, please let us know by either writing to us at,

BSH Home Appliances Corporation  
5551 McFadden Avenue  
Huntington Beach, CA 92649  
or, calling us at

**1-800-944-2904.**

Please be sure to include, if writing, or have available, if calling, the following information:

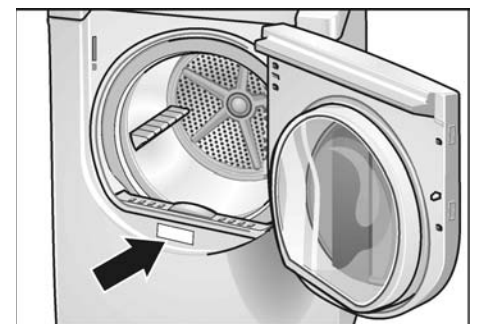
- Model Number
- Serial Number
- Date of Original Purchase
- Date Problem Originated
- Explanation of Problem

Also, if writing, please be sure to include a daytime telephone number and a copy of the sales invoice.

You will find the model number and serial number information on the rating plate located on the inside of the front panel.

The image below shows the approximate location of the rating plate. The model number has a rectangle around it. The serial number is located below the model number.

An example is shown below.



The manufacturer reserves the right to make changes in the product or manual without notification.

# STATEMENT OF LIMITED PRODUCT WARRANTY

Bosch Nexxt® Clothes Dryer

**What this Warranty Covers & Who it Applies to:** The limited warranty provided by BSH Home Appliances Corporation (Bosch) in this Statement of Limited Product Warranty applies only to the Bosch Nexxt® Clothes Dryer (“Product”) sold to you, the first using purchaser, but strictly conditioned on the Product having been purchased: (1) for your normal, household (non-commercial) use, and has in fact at all times only been used for normal household purposes (any commercial use or setting of the Product automatically voids the warranty); (2) new at retail (not a display, “as is”, or previously returned model) purchased directly by the end-user consumer, and not for resale, or commercial use; and (3) within the United States or Canada, and has at all times remained within the country of original purchase. The warranties stated herein apply only to the first purchaser of the Product and are not transferable. The warranty is automatically void if the Product was a display model, sold “as is”, tampered with, a damaged or “scratch and dent” model, or a previously returned model, a free give-away, charitable donation or contest prize.

- Please make sure to return your registration card; while not necessary to effectuate warranty coverage, it is the best way for Bosch to notify you in the unlikely event of a safety notice or product recall.

**How Long the Warranty Lasts:** Bosch warrants that the Product is free from defects in materials and workmanship for a period of three hundred sixty-five days (365) days from the date of purchase. The foregoing timeline begins to run upon the date of purchase, and shall not be stalled, tolled, extended, or suspended, for any reason whatsoever.

**Repair/Replace as Your Exclusive Remedy:** During this warranty period, Bosch or one of its authorized service providers will repair your Product without charge to you (subject to certain limitations stated herein) if your Product proves to have been manufactured with a defect in materials or workmanship. If reasonable attempts to repair the Product have been made without success, then Bosch will replace your Product (upgraded models may be available to you, in Bosch’s sole discretion, for an additional charge). All removed parts and components shall become the property of Bosch at its sole option. All replaced and/or repaired parts shall assume the identity of the original part for purposes of this warranty and this warranty shall not be extended with respect to such parts. Bosch’s sole liability and responsibility hereunder is to repair manufacturer-defective Product only, using a Bosch-authorized service provider during normal business hours. For safety and property damage concerns, Bosch highly recommends that you do not attempt to repair the Product yourself, or use an un-authorized servicer; Bosch will have no responsibility or liability for repairs or work performed by a non-authorized servicer. If you choose to have someone other than an authorized service provider work on your Product, THIS WARRANTY WILL AUTOMATICALLY BECOME NULL AND VOID.

Authorized service providers are those persons or companies that have been specially trained on Bosch products, and who possess, in Bosch’s opinion, a superior reputation for customer service and technical ability (note that they are independent entities and are *not* agents, partners, affiliates or representatives of Bosch). Notwithstanding the foregoing, Bosch will not incur any liability, or have responsibility, for the Product if it is located in a remote area (more than 100 miles from an authorized service provider) or is reasonably inaccessible, hazardous, threatening, or treacherous locale, surroundings, or environment; in any such event, if you request, Bosch would still pay for labor and parts and ship the parts to the nearest authorized service provider, but you would still be fully liable and responsible for any travel time or other special charges by the service company, assuming they agree to make the service call.

## Extended Limited Warranty:

LENGTH OF WARRANTY	SCOPE OF WARRANTY
2 Year Limited Warranty From Date of Purchase	Bosch will provide replacement parts, free of charge, for any component part that proves defective under conditions of normal home use during the first two years from the date of purchase, normal (non-expedited) shipping costs included, labor charges excluded.
2 Year Limited Warranty on Electronics From Date of Purchase	Bosch will repair or replace, free of charge, any microprocessor or printed circuit board that proves defective under conditions of normal home use during the first two years from the date of purchase, labor charges excluded.
2 Year Limited Warranty on Motor From Date of Purchase	Bosch will repair or replace, free of charge, any motor or component part of the motor that proves defective under conditions of normal home use during the first two years from the date of purchase, labor charges excluded.

**Out of Warranty Product:** Bosch is under no obligation, at law or otherwise, to provide you with any concessions, including repairs, pro-rates, or Product replacement, once this warranty has expired.

**Warranty Exclusions:** The warranty coverage described herein excludes all defects or damage that are not the direct fault of Bosch, including without limitation, one or more of the following: (1) use of the Product in anything other than its normal, customary and intended manner (including without limitation, any form of commercial use, use or storage of an indoor product outdoors, use of the Product in conjunction with air or water-going vessels); (2) any party’s willful misconduct, negligence, misuse, abuse, accidents, neglect, improper operation, failure to maintain, improper or negligent installation, tampering, failure to

follow operating instructions, mishandling, unauthorized service (including self-performed "fixing" or exploration of the appliance's internal workings); (3) adjustment, alteration or modification of any kind; (4) a failure to comply with any applicable state, local, city, or county electrical, plumbing and/or building codes, regulations, or laws, including failure to install the product in strict conformity with local fire and building codes and regulations; (5) ordinary wear and tear, spills of food, liquid, grease accumulations, or other substances that accumulate on, in, or around the Product; and (6) any external, elemental and/or environmental forces and factors, including without limitation, rain, wind, sand, floods, fires, mud slides, freezing temperatures, excessive moisture or extended exposure to humidity, lightning, power surges, structural failures surrounding the appliance, and acts of God. In no event shall Bosch have any liability or responsibility whatsoever for damage to surrounding property, including cabinetry, floors, ceilings, and other structures or objects around the Product. Also excluded from this warranty are scratches, nicks, minor dents, and cosmetic damages on external surfaces and exposed parts; Products on which the serial numbers have been altered, defaced, or removed; service visits to teach you how to use the Product, or visits where there is nothing wrong with the Product; correction of installation problems (you are solely responsible for any structure and setting for the Product, including all electrical, plumbing or other connecting facilities, for proper foundation/flooring, and for any alterations including without limitation cabinetry, walls, floors, shelving, etc.); and resetting of breakers or fuses. TO THE EXTENT ALLOWED BY LAW, THIS WARRANTY SETS OUT YOUR EXCLUSIVE REMEDIES WITH RESPECT TO PRODUCT, WHETHER THE CLAIM ARISES IN CONTRACT OR TORT (INCLUDING STRICT LIABILITY, OR NEGLIGENCE) OR OTHERWISE. THIS WARRANTY IS IN LIEU OF ALL OTHER WARRANTIES, WHETHER EXPRESS OR IMPLIED. ANY WARRANTY IMPLIED BY LAW, WHETHER FOR MERCHANTABILITY OR FITNESS FOR A PARTICULAR PURPOSE, OR OTHERWISE, SHALL BE EFFECTIVE ONLY FOR THE PERIOD THAT THIS EXPRESS LIMITED WARRANTY IS EFFECTIVE. IN NO EVENT WILL THE MANUFACTURER BE LIABLE FOR CONSEQUENTIAL, SPECIAL, INCIDENTAL, INDIRECT, "BUSINESS LOSS", AND/OR PUNITIVE DAMAGES, LOSSES, OR EXPENSES, INCLUDING WITHOUT LIMITATION TIME AWAY FROM WORK, HOTELS AND/OR RESTAURANT MEALS, REMODELLING EXPENSES IN EXCESS OF DIRECT DAMAGES WHICH ARE DEFINITELY CAUSED EXCLUSIVELY BY Bosch, OR OTHERWISE. SOME STATES DO NOT ALLOW THE EXCLUSION OR LIMITATION OF INCIDENTAL OR CONSEQUENTIAL DAMAGES, AND SOME STATES DO NOT ALLOW LIMITATIONS ON HOW LONG IMPLIED WARRANTY LASTS, SO THE ABOVE LIMITATIONS MAY NOT APPLY TO YOU. THIS WARRANTY GIVES YOU SPECIFIC LEGAL RIGHTS, AND YOU MAY ALSO HAVE OTHER RIGHTS, WHICH VARY FROM STATE TO STATE. No attempt to alter, modify or amend this warranty shall be effective unless authorized in writing by an officer of BSH.

**How to Obtain Warranty Service:** To obtain warranty service for your Product, you should contact the nearest Bosch authorized service center.

**BSH Home Appliances Corporation** – 5551 McFadden Avenue, Huntington Beach, CA 92649 / 800-944-2904

---

# Características y ventajas de los nueva secadora

## Technologie DUOTRONIC®

La humedad y los niveles de temperatura se controlan continuamente, a fin de lograr resultados de secado precisos para una paleta amplia de tejidos diferentes. Cualquier cosa desde camisetas, hasta las sábanas del bebé, salen tibias y suaves en todo momento.

El monitoreo constante garantiza el uso de energía más bajo posible y reduce hasta un 50% del consumo por año.

## WRINKLEBLOCK™

A veces no es posible quitar la ropa apenas suena el zumbido. Extended **WRINKLEBLOCK™** (Protección contra arrugado prolongada) provee una hora de giro intermitente del tambor y evita la formación de arrugas y, en definitiva, reduce el tiempo de planchado.

## Tambores de acero inoxidable

El tambor de lavado **Nexxt™** tiene centenas de orificios de bordes redoblados, que permiten a sus prendas rodar suavemente sin presentar enganches.

## Bisagra de la puerta de 180°

Por fin una puerta de secadora que se abre completamente a 180° y facilita cargar y descargar la ropa. Las puertas de la lavadora y la secadora se abren en sentidos opuestos para que, al instalarlas una al lado de la otra, no tenga dificultad en traspasar su ropa húmeda a la secadora.

## Funcionamiento silenciosos

Los electrodomésticos de lavado de ropa de Bosch utilizan motores libres de escobillas, sistemas de bombas suspendidas y materiales de aislamiento acústico, a fin de lograr una marcha silenciosa. Esto quiere decir, que puede instalárselos prácticamente en cualquier sitio del hogar, sin que produzcan perturbaciones.

## Estante de secado

El estante de secado **Nexxt™** protege los tejidos delicados o bien un par de zapatillas, secándolos sin girar. Es estándar en el modelo Premium **Nexxt™** o puede solicitárselo como accesorio.

## Dispositivo atrapapelusa

Nuestro dispositivo para pelusas está ubicado cómodamente en la carcasa del electrodoméstico debajo de la puerta del secador para permitir el fácil acceso. El filtro de malla fina del dispositivo atrapapelusa captura incluso las partículas de pelusa más pequeñas. Y para aumentar la eficiencia de secado, el filtro del dispositivo atrapapelusa tiene una luz que se enciende si el filtro necesita limpieza inmediata.

## MISTCARE™

Los programas **MISTCARE™** utilizan humedad adicional para ayudar a distender el tejido, aflojar las arrugas y refrescar las prendas de algodón mezcladas del lavado para reducir los olores.

## Manguera AQUASTOP®

La manguera **AQUASTOP®** detiene el flujo de agua en caso de que la manguera tenga una pérdida por inundación.

# Índice

Definiciones .....	31
<b>INSTRUCCIONES IMPORTANTES DE SEGURIDAD .....</b>	<b>31</b>
INSTRUCCIONES PARA LA PUESTA A TIERRA .....	33
<b>INSTRUCCIONES PARA LA INSTALACIÓN .....</b>	<b>33</b>
Introducción .....	33
Información sobre eliminación de residuos .....	33
Antes de instalar el secador .....	33
La instalación paso a paso .....	34
Conexión eléctrica .....	37
Conexión del tubo de aire de salida .....	41
Accesorios .....	43
Preparar el secador para el transporte, paso a paso .....	43
<b>INSTRUCCIONES DE FUNCIONAMIENTO .....</b>	<b>44</b>
Panel de manejo .....	44
<b>Informaciones para su seguridad .....</b>	<b>45</b>
<b>Protección del medio ambiente .....</b>	<b>45</b>
<b>Ropa .....</b>	<b>45</b>
Identificación de prendas .....	45
Consejos para el secado .....	45
<b>Selección del programa .....</b>	<b>46</b>
Opciones .....	46
Indicador de estado del programa .....	46
MISTCARE programa .....	46
Programas automáticos .....	47
Programas temporizados .....	47
<b>Tabla de selección de programas .....</b>	<b>47</b>
<b>Funcionamiento .....</b>	<b>49</b>
Uso del secador .....	49
Limpiar el filtro para pelusas .....	50
Uso de la canastilla (opciones) .....	50
<b>Limpieza y cuidado .....</b>	<b>52</b>
Limpieza del secador .....	52
Limpiar el tubo de aire de salida .....	52
Limpiar el sensor de humedad .....	52
Limpieza de la protección del rodamiento .....	52
Cambiar la lamparilla .....	52
<b>Localización de fallos .....</b>	<b>53</b>
SERVICIO y REPARACIONES .....	55
<b>DECLARACIÓN DE GARANTÍA LIMITADA DEL PRODUCTO .....</b>	<b>63</b>

Lo felicitamos por haber seleccionado un secador de ropa Bosch, que eligen todos aquellos que requieren un rendimiento excepcional en sus secador de ropa.

El secador cumple con la norma UL 2158/CAN/CSA-C22.2 No. 112-97 Secadores de ropa.

Uno de las características fundamentales de su secador es el bajo consumo de energía.

Una filosofía fácil en el manejo, una gran variedad de programas de lavado y una sensación de solidez, hacen de este secador un asistente sumamente útil en su hogar.

El secador Bosch presenta las siguientes características estándar:

- un sistema de secado de alto rendimiento
- un tambor de acero inoxidable grande con una capacidad hasta 17.6 lbs (8 kg)
- Gran abertura de carga (18 pulg./457 mm), con un sistema de traba para la puerta con función de detención automática de tambor
- funcionamiento excepcionalmente sereno
- ciclos automáticos controlados por sensor
- Ciclos temporizados  
500 Series secadora: 30 y 60 minutos  
800 Series secadora: 10 av 150 minutos (en incrementos of 10 minutos)
- Corti program para ½ cargas (25 minutos) (800 Series solamente)

Todo secador que deja nuestra planta, ha aprobado un control de rendimiento realístico y está en perfectas condiciones de funcionamiento.

Si tiene cualquier pregunta respecto de la instalación de nuestros secadores, nuestro grupo de servicio a clientes, gustosamente le responderá.

En nuestra página de web, encontrará más información referida a nuestros productos y su selección:  
[www.boschappliances.com](http://www.boschappliances.com)

#### Información

Rogamos leer y seguir estas instrucciones de funcionamiento e instalación conjuntamente con todas aquellas informaciones entregadas con nuestra máquina de lavar.

## Definiciones



### ADVERTENCIA

**ADVERTENCIA** – Esto significa que puede resultar la muerte o lesiones graves debido a la inobservancia de esta advertencia.



### CUIDADO

**CUIDADO** – Esto significa que pueden resultar lesiones leves o moderadas debido a la inobservancia de esta advertencia.

### AVISO

**AVISO** – Esto significa que se pueden producir daños en el electrodoméstico o en los bienes debido a la inobservancia de esta advertencia.



Este símbolo se utiliza para llamar la atención del usuario respecto de algo en particular.

## ⚠ INSTRUCCIONES IMPORTANTES DE SEGURIDAD



### ADVERTENCIA

**ADVERTENCIA:** Para reducir el riesgo de incendio, descargas eléctricas, lesiones de gravedad o muerte y/o daños al emplear su secador, tome las siguientes precauciones básicas.

1. Lea todas las instrucciones antes de utilizar el secador.  
Los secadores Bosch se entregan con instrucciones de manejo, cuidado e instalación.
2. No seque prendas que anteriormente hayan sido limpiadas, lavadas, remojadas, o se le hayan quitado las manchas con gasolina, limpiadores en seco, solventes, otros productos

inflamables o explosivos de las cuales puedan desprenderse vapores que puedan **encenderse** o explotar.

Para reducir el riesgo de **incendio**, no ponga ropa, paños para la limpieza, estropajos o cosas similares en el secador, si contienen sustancias inflamables como aceites vegetales, aceite de cocina, aceites a base de petróleo o destilados de éstos, ceras, grasas, etc. Estas prendas pueden contener sustancias inflamables que pueden producir humo o **causar un incendio** espontáneamente aun después de haberlas lavado.

No ubique prendas sucias con aceite de cocina en su secador.

Prendas con este tipo de suciedad pueden contribuir a reacciones químicas que pueden causar un **incendio**.

3. El secador debe usarse únicamente para lo que fue diseñado.
4. No permita que los niños jueguen en o con el electrodoméstico en ningún momento; esto puede provocar **lesiones** graves o la **muerte**. Los niños deben permanecer a una distancia segura de los electrodomésticos en todo momento. Se debe permitir a los niños estar cerca de un electrodoméstico solamente si están supervisados estrictamente y en forma constante por un adulto.

5. Cuando los niños llegan a una edad adecuada para operar equipos electrodomésticos, es responsabilidad legal de los padres o reponsables legales, hacerlos instruir por personal adecuadamente calificado respecto de las medidas de seguridad correspondientes
  6. ANTES DE SACAR EL ELECTRODOMESTICO DE SERVICIO, quite la puerta de acceso al compartimiento de secado.
  7. No introduzca las manos en el electrodoméstico mientras el tambor está girando.
  8. No instale ni deje este electrodoméstico a la intemperie o expuesto a elementos como agua/humedad, suciedad, aire corrosivo/salado y frío excesivo.
  9. No juegue con los controles.
  10. No reparar o reemplazar ninguna parte del secador ni intentar cualquier tipo de servicio a menos que haya sido recomendado en las instrucciones de mantenimiento o en instrucciones de reparación para usuarios, que se hayan comprendido plenamente y para las que se disponga de habilidad.
  11. No utilice suavizadores para prendas u otros productos para eliminar las cargas estáticas, salvo que estén recomendados por el fabricante de las prendas.
  12. No seque con calor, artículos que contengan espuma de goma (puede denominarse espuma de latex) u otros materiales que se parezcan a los mencionados. Las espumas de goma pueden **encenderse** por autoignición cuando se los calienta bajo ciertas circunstancias.
  13. No seque prendas que contengan olefina spunbonded. La olefina spunbonded puede derretirse y **encenderse** por combustión espontánea.
  14. Limpie el filtro para pelusas antes o después de cada carga. El exceso de pelusa acumulada puede dañar el secador y crear un posible riesgo de **incendio**.
  15. Mantenga el área alrededor de la salida de aire y las zonas adyacentes libres de pelusas, suciedad y polvo. La obstrucción de la abertura puede reducir el flujo de aire y producir un sobrecalentamiento.
  16. El interior de la máquina y de la salida de aire debe limpiarse periódicamente por personal calificado.
  17. Asegúrese siempre que el secador ha sido desconectado de la alimentación eléctrica, antes de intentar cualquier trabajo de mantenimiento. Desconecte el cable de alimentación, tomándolo del tomacorriente y no del cable.
  18. Almacene todos los productos químicos y aditivos en un lugar fresco y seco de acuerdo con las instrucciones del fabricante. Asegúrese de que los niños no tengan acceso a ellos. No debe colocar gasolina, materiales combustibles y vapores inflamables, líquidos ni sustancias que representan un riesgo de incendio cerca del secador.
  19. No se siente sobre el secador.
  20. Para evitar un riesgo de incendio, no utilice un cable de prolongación, un adaptador ni ningún otro conector o cable eléctrico no suministrado por el fabricante para conectar el secador a la alimentación de energía eléctrica. Los secadores son máquinas potentes y deben tener tomas de corriente eléctrica exclusivas.
  21. Siempre verifique que los bolsillos de la ropa estén vacíos y quite todos los artículos de la ropa antes de ponerla en el secador; los objetos inadecuados pueden dañar el secador, y ciertos artículos como los encendedores pueden presentar un **riesgo de incendio**.
  22. Para reducir el riesgo de incendio y descargas eléctricas, no use el secador si el cable de alimentación está deshilachado o dañado, o si los enchufes están sueltos.
  23. No utilice el secador si se quitaron las protecciones y/o los paneles, si faltan piezas o si están rotas.
  24. No elimine la función de los dispositivos de seguridad.
  25. No utilice conductos de material plástico o materiales flexibles no metálicos con este secador. Los conductos flexibles de material plástico o materiales no metálicos pueden representar un posible **riesgo de incendio**.
  26. No haga funcionar el secador antes de asegurarse que fue instalado de acuerdo con las INSTRUCCIONES DE FUNCIONAMIENTO y que la instalación y puesta a tierra cumplen con todos los reglamentos locales y/u otras reglas y requerimientos de aplicación.
  27. Fallos en la instalación, el mantenimiento y/o operación del secador respecto de la instrucciones del fabricante, pueden ser causa de **lesiones** o daños.
  28. Para evitar daños en el piso y también en el crecimiento de moho, no permita que salpicaduras o derramamientos de agua se acumulen alrededor o debajo del secador.
  29. Asegúrese de que todas las conexiones de agua del secador tengan una válvula de paso y de que se encuentren en un lugar fácilmente accesible. Cierre la(s) válvula(s) de paso del electrodoméstico al final de cada día de uso.
  30. Verifique las conexiones de la manguera de llenado con frecuencia para asegurarse de que estén apretadas y de que no haya pérdidas.
- Notas:**
- A. Las INSTRUCCIONES IMPORTANTES DE SEGURIDAD y los LLAMADOS DE ATENCIÓN que se presentan en este manual no cubren todas las situaciones posibles que pueden tener lugar. Deben aplicarse el sentido común, precaución y cuidado al instalar, mantener o hacer funcionar el secador.
  - B. Consultar siempre con el comerciante, distribuidor, agente de servicio o fabricante cualquier problema o bien condiciones que no se han comprendido completamente.
  - C. Tenga en cuenta también las informaciones de seguridad que se incluyen en las INSTRUCCIONES DE INSTALACIÓN y las INSTRUCCIONES DE FUNCIONAMIENTO.



## INSTRUCCIONES PARA LA PUESTA A TIERRA

Este electrodoméstico debe conectarse a tierra. En caso de fallos en el funcionamiento o roturas, la conexión a tierra reduce el riesgo de descargas eléctricas, presentando una vía de baja resistencia por la que puede fluir la corriente.

### En Estados Unidos

Su secador se provee sin el cable de alimentación. El cable a conectar debe presentar las siguientes características:

- Aprobación UL en USA
- 208 a 240 volts de valor eficaz (mínimo)
- 30 amperes

- Tipo SRDT o DRT (UL 2158)
- Cinco pie de longitud (mínimo)



## ADVERTENCIA

La conexión inadecuada de la puesta a tierra de este equipo puede conducir a un riesgo elevado de descargas eléctricas.

Haga controlar la instalación por un electricista calificado si tiene dudas, a fin de determinar que el secador esté correctamente conectada a tierra.

NO modifique el enchufe suministrado con el secador. Si no es adecuado al tomacorriente, haga instalar un tomacorriente adecuado por un electricista calificado o cambie el cable por uno que sea adecuado al secador.

## CONSERVE ESTAS INSTRUCCIONES PARA CONSULTAS POSTERIORES.

En caso de un cambio de propietario, este manual debe entregarse conjuntamente con el secador.

## CONSERVE ESTAS INSTRUCCIONES

# INSTRUCCIONES PARA LA INSTALACIÓN

## Introducción

Lea estas instrucciones completamente y con cuidado. Esto va a evitar que pierda tiempo y esfuerzo, permitiendo lograr un funcionamiento óptimo del secador. Asegúrese de tener en cuenta todas las advertencias y precauciones.



## ADVERTENCIA

ADVERTENCIA – Riesgo de incendio.

- La instalación del secador de ropa debe ser realizada por un instalador calificado.
- Instale el secador de ropa según las instrucciones del fabricante y los códigos locales.
- No instale un secador de ropa con materiales de ventilación de plástico flexibles. Si se instala un conducto de metal flexible (tipo hoja metálica), debe ser de un tipo específico identificado por el fabricante del electrodoméstico como apto para un secador de ropa. Se sabe que los materiales de ventilación flexibles se hunden, se aplastan fácilmente y atrapan pelusa. Estas condiciones obstruyen el flujo de aire del secador de ropa y aumentan el riesgo de incendio.
- Para reducir el riesgo de lesiones graves o de muerte, siga todas las instrucciones de instalación.
- CONSERVE ESTAS INSTRUCCIONES.

Estas instrucciones para la instalación están destinadas para ser usadas por personal calificado. Adicionalmente a estas instrucciones, el secador debe instalarse de acuerdo con todas las reglas locales o bien, en su ausencia, con:

- en los **Estados Unidos**, el National Electric Code, ANSI/NFPA70 en su última edición y las reglas municipales y/o locales vigentes.

## Información sobre eliminación de residuos

### Eliminación del embalaje



## ADVERTENCIA

Mantenga alejados a los niños tanto del cartón como de los demás componentes del embalaje. Existe peligro de asfixia con la lámina plástica y con los cartones plegados.

Ninguno de los materiales del embalaje es dañino para el medio ambiente y pueden reciclarse. Rogamos eliminarlos según las normas de protección del mismo.

Rogamos ponerse en contacto con su vendedor o la autoridad competente respecto de las disposiciones vigentes.

## Desecho de electrodomésticos viejos



## ADVERTENCIA

En los artefactos que se van a poner fuera de servicio, desconecte el enchufe principal, corte el cable de red y elimine el cable junto con el enchufe.

Para evitar que los niños al jugar se pongan en peligro al quedar atrapados, asegúrese de que el mecanismo de cierre de la puerta esté desactivado o desmonte la puerta.

¡Los electrodomésticos viejos no son basura! Pueden utilizarse materias primas valiosas en un reciclado adecuado al medio ambiente.

Rogamos ponerse en contacto con su vendedor o la autoridad competente respecto de las disposiciones vigentes.

## Antes de instalar el secador

Antes de instalar el secador a un sistema de conductos utilizado previamente, asegúrese de que el sistema esté limpio. Se recomienda realizar una limpieza profesional del sistema de conductos en forma anual y al conectar el secador a un sistema de conductos utilizado previamente. Mantener limpio el sistema de conductos reducirá el tiempo de secado y mejorará el rendimiento del secado.

## Desembalaje del electrodoméstico

### CUIDADO

No levante el electrodoméstico personalmente. Tampoco debe levantárselo de partes protuberantes debido al riesgo de quebraduras.

### AVISO

Quite el embalaje cuidadosamente, para evitar daños en las superficies.

Controle si el secador se ha dañado durante el transporte. No conecte un secador visiblemente dañado. En caso de duda, consulte con su vendedor.

## Volumen de entrega

### CUIDADO

El secador se provee sin el cable de alimentación. El cable de alimentación debe conectarlo un técnico calificado o un electricista con licencia.

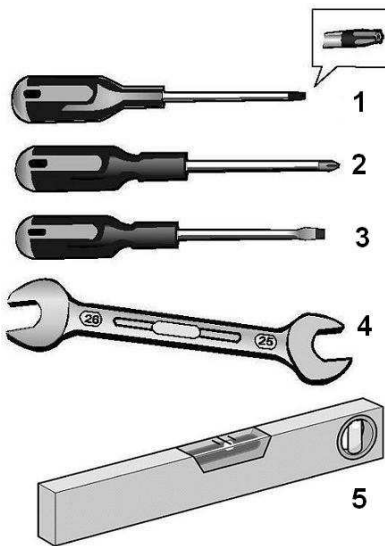
### AVISO

Una vez eliminado el embalaje, quite inmediatamente todos los objetos contenidos en el tambor.

## Herramientas útiles

Las siguientes herramientas son útiles para la instalación:

1. Destornillador de cabeza T20
2. Destornillador Phillips (Núm. 2)
3. Destornillador de hoja plana
4. Llave fija (1 pulg./25 mm)
5. Nivel de burbuja



## Lista de comprobación para la instalación

1. Quite el secador de su embalaje.
2. Quite todos los objetos del tambor.
3. Controle si el secador presenta daños visibles.
4. Ubique el secador cerca del sitio de emplazamiento (consulte la página 34).
5. Si hace falta, cambie las bisagras de la puerta a la izquierda (ver página 43).
6. Si hace falta, instale la salida de aire del escape lateral o inferior en el secador (ver página 41).
7. Haga colocar el cable de alimentación de energía por un técnico autorizado (ver página 37).
8. Revise la conexión "Y", la manguera corta y la manguera AQUASTOP® incluidas con embalaje del secador (ver página 36).
9. Conecte el suministro de agua a la parte posterior del secador (ver página 36 para conocer las instrucciones detalladas).
10. Instale los conductos del escape si es necesario.

Siga las instrucciones de instalación provistas por el fabricante de piezas de conductos

apropiado (ver página 41)

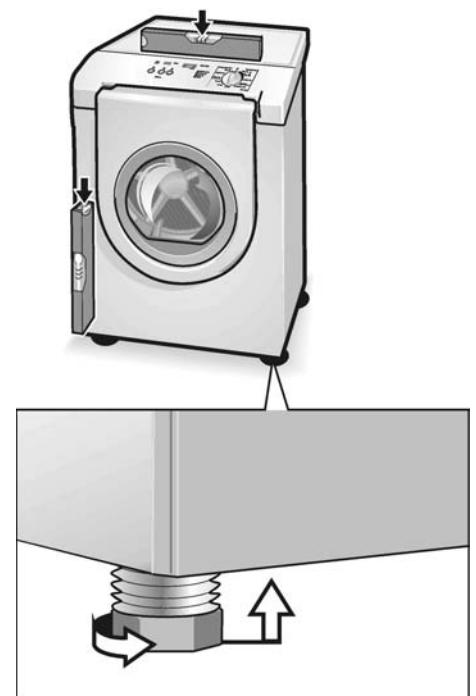
**i** Si las condiciones de espacio son muy reducidas, se recomienda montar las primeras partes de la tubería antes de ubicar el secador en su sitio de emplazamiento definitivo.

11. Ubique el secador en su sitio de emplazamiento definitivo.

### AVISO

No arrastre el secador por el suelo, si los pies ajustables fueron extendidos. En este caso se dañarían tanto los pies ajustables, como la parte inferior del secador.

12. Posicione y nivele luego el secador.



El secador debe nivelarse con todos los pies ajustables firmemente asentados en el piso. No debe tambalearse. Si el secador no está nivelado o si se tambalea, deben regularse los pies ajustables. Los pies deben ajustarse hasta que el secador no se bambolea y está nivelado tanto de un lado respecto del otro, como de atrás respecto de adelante.

**i** Después de realizar los ajustes preliminares, presione cada esquina de la secadora hacia abajo para asegurarse de que la unidad no se tambalee. Si se tambalea, baje el pie de esa esquina hasta que se apoye firmemente en el piso.

13. Conecte el tubo de ventilación a la salida de aire del secador (consulte la página 41).
14. Conecte el tomacorriente en el enchufe correspondiente (consulte la página 37).
15. Lea las instrucciones de funcionamiento, para enterarse como funciona su secador (consulte la página 44).
16. Efectúe un control del electrodoméstico:
  - Controle que el tambor esté vacío.
  - Cierre la puerta del secador.
  - Conmute el secador a «Extra dry» (Extra seco) y enciéndalo.
  - Párelo después de aproximadamente 3 a 5 minutos y abra la puerta.
  - Si el interior del secador está tibio, significa que está correctamente conectado. Apague el secador.
  - Si el secador no funciona, conmutelo a «Off». Consulte en la localización de fallos (ver página 53) y determine el fallo.

## Emplazamiento

### **⚠ ADVERTENCIA**

No instale el secador:

- en el exterior,
- en ambientes donde gotea el agua,
- ceca de materiales inflamables,
- en ambientes con riesgo de congelamiento,
- en ambientes donde puede haber gas u otros combustibles,
- en armarios con puertas que se puedan trabar o en nichos.

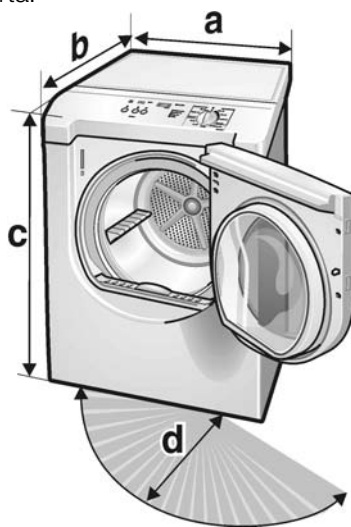
El ambiente de emplazamiento debe poseer una buena ventilación, de otro modo el secador trabajará con rendimiento reducido.

No opere el secador a temperaturas superiores a los 104 °F (40 °C) o debajo de 41 °F (5 °C). Las temperaturas bajas pueden afectar la secuencia del programa automático y pueden prolongar los tiempos del secado.

La superficie donde se vaya a instalar el secador deben estar limpias, parejas y firmes. ¡No instale el secador sobre alfombras! Compense las irregularidades en el piso mediante los pies ajustables en altura.

Instale el secador y nivélelo un lado respecto del otro y la parte anterior respecto de la parte posterior. Utilice un nivel de alcohol. ¡Nunca desenrosque totalmente los pies ajustables!

El tamaño del área de instalación depende de las medidas del secador. ¡Asegúrese que exista espacio suficiente para el área de giro de la puerta!



	Medidas	Peso
a	27.0" (686 mm)	125 lbs (56 kg)
b	31.8" (808 mm)	
c	37.2" (954 mm)	con embalaje
d	19.7" (500 mm)/ ángulo 170 – 180°	143 lbs (64 kg)

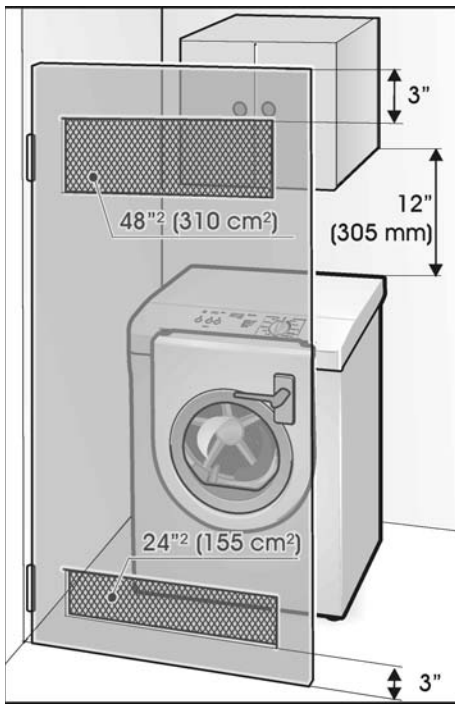
Si instala el secador en un retrete, observe el cumplimiento de las distancias mínimas de acuerdo con la siguiente tabla:

Distancias de instalación mínimas	
Retrete	
A los lados	0" (0 mm)
Arriba	12" (305 mm)
Detrás*	0" (0 mm)

\* tan cerca de la pared como lo permita la ventilación o la conexión de agua

Información importante respecto de las distancias mínimas:

- Según la ubicación de la conexión de aire del escape, se debe sumar una distancia adicional mínima de 5½ pulgadas (14 cm) sobre este lado para conductos/soportes (ver página 43).
- Los beneficios de mantener una distancia superior (espacios libres) a la mínima que se muestra incluyen:
  - reducción del riesgo de que se produzca moho detrás del electrodoméstico.
  - reducción de la transmisión de ruidos
  - facilitación de la instalación y del servicio técnico.
  - hay más circulación de aire que enfría el secador, evita que el secador se caliente en exceso y mejora su rendimiento .
- Si se instala el secador en ambientes reducidos, las puertas del ambiente deberán estar equipadas con ventilaciones de dimensiones mínimas establecidas. Consulte la siguiente figura para obtener información adicional.



La puerta del secador se provee con bisagras sobre el lado derecho.

Si necesita cambiar las bisagras a la izquierda, vea la página 43.

## Conexión de agua

Conecte la manguera de suministro de agua del secador a un grifo de agua fría (el grifo debe estar ubicado dentro de los 4 pies (1.2 m) de la válvula de entrada de agua en la parte posterior del secador).

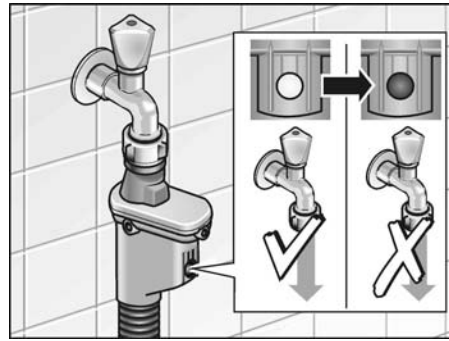
Se recomienda tener una presión de suministro de agua de 20 – 100 psi (1.37 – 6.89 bar) para un mejor rendimiento.

Se proporciona un conector “Y” junto con una manguera corta (si es necesaria) para conectarla al grifo de agua fría.

## Manguera AQUASTOP®

### NOTICE

El correcto aseguramiento de las conexiones EXTERNAS de las mangueras es de única y exclusiva responsabilidad del cliente. El fabricante no asume ninguna responsabilidad ni obligación por una conexión EXTERNA de manguera u otro tipo de conexión que no esté correctamente instalada.



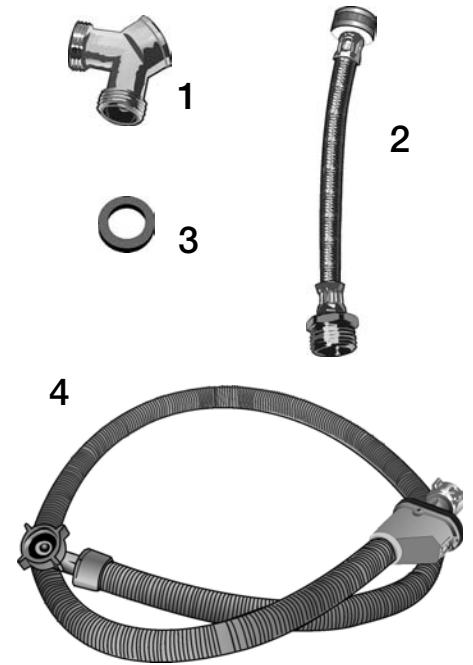
La manguera **AQUASTOP®** evita la posibilidad de inundaciones si la manguera tiene una pérdida.

Si la manguera tiene una pérdida, se visualiza una marca roja y se bloquea la entrada de agua.

- ❑ Una manguera **AQUASTOP®** que se ha activado no se puede reprogramar. Consulte a servicio al cliente para obtener un repuesto de la manguera (ver página 55).

## Piezas del secador MISTCARE™ suministradas

Las siguientes piezas están incluidas con el envío de su secador.

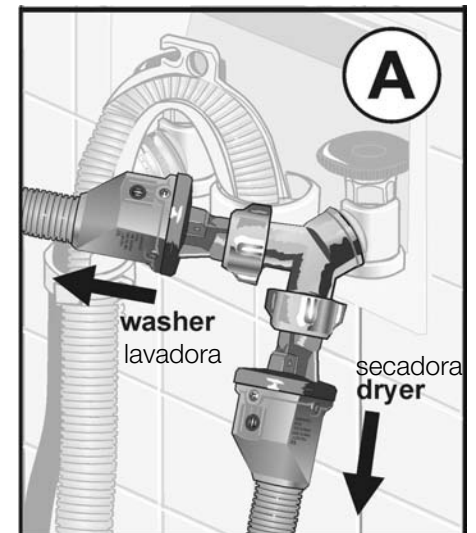


1. Conector “Y”
2. Manguera de entrada de metal trenzado corta
3. Arandela de hule
4. Manguera **AQUASTOP®**

## Para conectar la manguera de entrada

**i** El secador debe conectarse al conector “Y” usando la manguera **AQUASTOP®**. No use una manguera vieja.

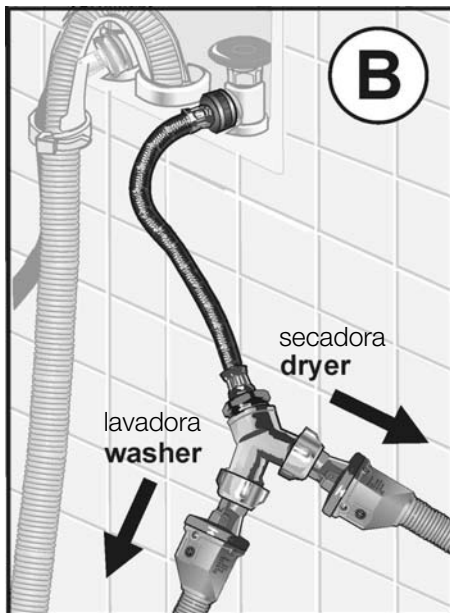
1. Cierre el grifo de entrada de agua y retire la manguera de suministro de agua de la lavadora.



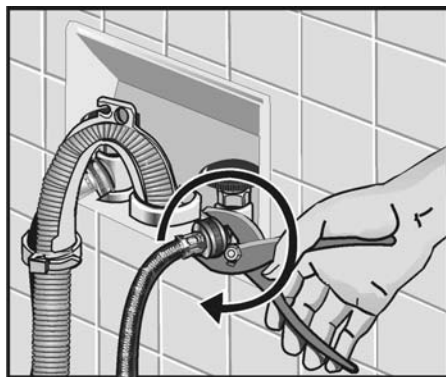
2. Verifique que la arandela de hule esté completamente insertada y asentada en el extremo hembra de la manguera corta antes de continuar. La arandela de hule aparece como ítem 3 en la ilustración de las piezas suministradas. Se ilustra separada de la manguera para mayor claridad.
3. Si el espacio lo permite, conecte el extremo roscado internamente (hembra) del conector "Y" directamente al grifo de agua fría (opción **A** como se muestra en la ilustración anterior) y siga con el paso 6

#### Para instalación opcional con el conector Y

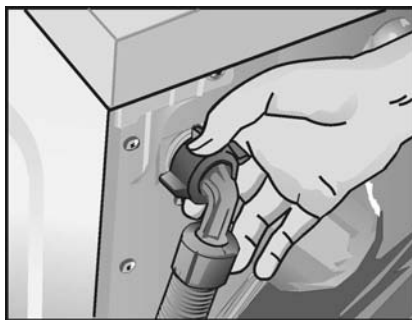
Si el conector "Y" no se puede sujetar directamente, use la manguera corta suministrada para conectar el conector "Y" al grifo de agua fría (opción **B** como se muestra en la ilustración), y continúe con los pasos 4 a 5.



4. Conecte la manguera corta al grifo de agua fría. Apriete la conexión a mano hasta que el acople esté asentado en el grifo.
5. Use pinzas para apretar la conexión con un giro adicional de dos tercios de vuelta.



- i** No apriete en exceso. Se puede dañar el acople.
6. Conecte el adaptador "Y" a la manguera corta. Apriete el acople a mano hasta que quede firmemente asentado en la manguera.
  7. Conecte la manguera de suministro de agua fría de la lavadora al conector "Y". Apriete a mano.
  8. Conecte la manguera **AQUASTOP®** del secador al otro acople del conector "Y". Apriete a mano.
  9. Apriete los tres acoples sobre el conector "Y" con un giro adicional de dos tercios de vuelta, usando pinzas.
- i** No apriete en exceso. Se puede dañar el acople.



10. Conecte el conector en ángulo recto de la manguera **AQUASTOP®** a la válvula de entrada ubicada en la parte superior izquierda del secador.
- i** Verifique que la arandela de hule no se caiga y que esté bien asentada en el conector en ángulo recto.
11. **Apriete a mano** el acople hasta que quede asentado en el conector. No use pinzas, apriete a mano únicamente.

**i** No apriete en exceso. Se puede dañar el acople.

12. Abra el grifo de agua.

13. Verifique que no haya pérdidas alrededor del conector "Y", del grifo y de ninguna manguera.

## Conexión eléctrica

### **⚠ ADVERTENCIA**

El cable de alimentación debe ser conectado por un técnico calificado o un electricista con licencia únicamente. Conecte el secador a un ramal individual del circuito. No utilice adaptadores. No utilice cables prolongadores. No quite la clavija de puesta a tierra.

Su secador se provee sin el cable de alimentación. El cable a conectar debe presentar las siguientes características:

- Aprobación UL en USA
- 208 a 240 volts de valor eficaz (mínimo)
- 30 amperes
- Tipo SRDT o DRT (UL 2158)
- Cinco pie de longitud (mínimo)



## ADVERTENCIA

El cable de alimentación debe ser conectado por un técnico calificado o un electricista con licencia únicamente.

Utilice únicamente cables UL de 30 Amps con descarga de tracción. Tenga en cuenta las instrucciones del fabricante.

No conecte el cable de alimentación a un enchufe bajo tensión, antes de conectarlo a los terminales del electrodoméstico y que esté cerrada la caja de conexión o derivación según se describe abajo.

No utilice cables de alimentación usados. El cable deberá estar provisto de terminales cerrados o bien doblados hacia arriba.

No tuerza los cable en un ángulo cerrado en las conexiones.

Debe utilizarse únicamente un cable de 4 conductores si el equipo se instala en una casa rodante, en un vehículo recreacional, en una nueva rama del circuito de instalación u otro lugar donde las reglas locales no permiten una puesta a tierra a través del conductor neutro.

### Procedimientos de puesta a tierra adicionales

- Algunas reglamentaciones locales pueden exigir una conexión a tierra adicional. En este caso deben adquirirse por separado, los accesorios requeridos, como el cable de conexión, abrazaderas y tornillos.
- Nunca conecte el electrodoméstico a tuberías de agua de material plástico, tuberías de gas o de agua.

### Instrucciones para la conexión a tierra

Este electrodoméstico debe conectárselo a tierra. En caso de fallos en el funcionamiento o roturas, la conexión a tierra reduce el riesgo de descargas eléctricas, presentando una vía de baja resistencia por la que puede fluir la corriente.

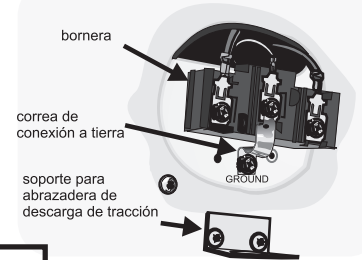
## Para conectar la alimentación eléctrica (cable de 3 conductores y cable de 4 conductores)



### ADVERTENCIA

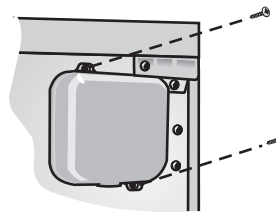
La conexión incorrecta del conductor de conexión a tierra del equipo puede causar un riesgo de descarga eléctrica. Haga verificar el electrodoméstico por un técnico calificado o por un electricista con licencia si tiene alguna duda respecto de si el secador está correctamente conectado a tierra.

No enchufe el extremo del cable de alimentación en un receptáculo con corriente antes de conectar el cable de alimentación a los bornes del electrodoméstico y de cerrar la caja de empalme/bifurcación, como se describe a continuación.



1

Retire los dos tornillos de la cubierta de la bornera ubicada en la parte superior trasera del electrodoméstico. Esto dejará expuesto el conjunto de la bornera.



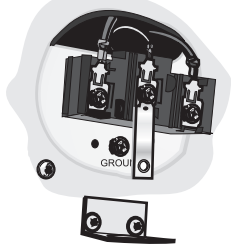
### Instalación con cable de 4 conductores

2

Afloje el tornillo inferior de la correa de conexión a tierra. Enderece la correa de conexión a tierra para que quede vertical. Vuelva a colocar el tornillo verde en el orificio del borne GROUND (Conexión a tierra).

**i**

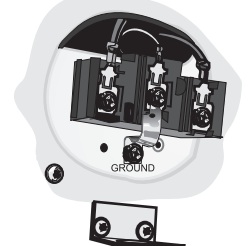
Asegúrese de que la correa de conexión a tierra no toque el panel posterior para evitar desconectar el disyuntor durante el funcionamiento del secador.



### Instalación con cable de 3 conductores

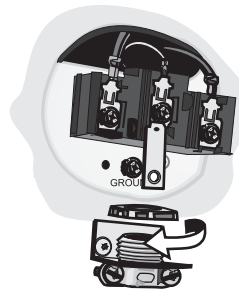
2

Asegúrese de que la correa de conexión a tierra esté en su lugar. La ilustración muestra la correa de conexión a tierra bien ubicada, con el tornillo verde ajustado al borne de conexión a tierra.



3

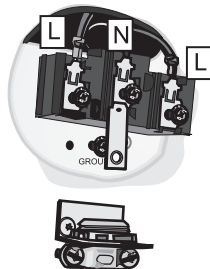
Fije una abrazadera de descarga de tracción (disponible a través de un proveedor de artículos de electricidad o para la construcción) al soporte del ángulo. Apriete la tuerca para sujetar la abrazadera firmemente en su lugar.



### Instalación con cable de 4 conductores

4

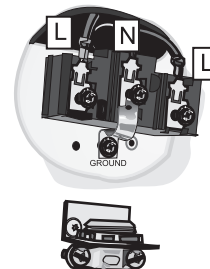
Afloje los 2 tornillos rotulados con la L y el único tornillo rotulado con la N en la bornera. También afloje el tornillo en el borne GROUND (Conexión a tierra).



### Instalación con cable de 3 conductores

4

Afloje los 2 tornillos rotulados con la L y el único tornillo rotulado con la N en la bornera.



Continuado en la página siguiente

## Instalación con cable de 4 conductores

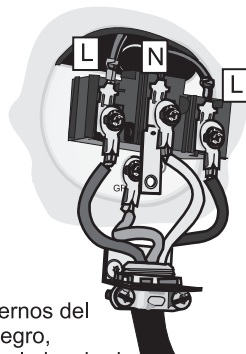
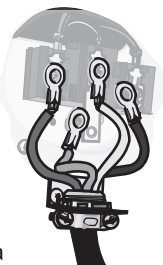
- 5** Enhebre el cable de 4 conductores a través de la abrazadera de descarga de tracción. Apriete los tornillos de la abrazadera de descarga de tracción (2.5 Nm) de modo que el cable de alimentación no se mueva.

**i** Esto mantendrá el cable de alimentación en su lugar y facilitará la correcta instalación de los tornillos de los bornes.

- 6** Conecte el conductor de conexión a tierra del cable de alimentación (verde) al borne GROUND (Conexión a tierra). Apriete el tornillo (2.5 Nm) de manera que el conductor de conexión a tierra quede firme en su lugar.

Conecte los 2 conductores externos del cable de alimentación (rojo y negro, cualquiera de los dos puede ir a la izquierda o a la derecha) a los 2 bornes rotulados con la L. Conecte el conductor del cable de alimentación sobrante (blanco) en el borne marcado con la letra N.

**i** Asegúrese de que los tornillos de los bornes queden alineados correctamente con las tuercas de los bornes para evitar forzar las roscas.



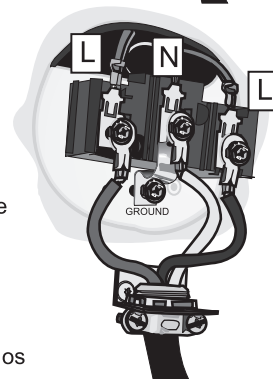
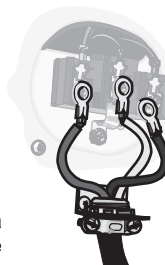
## Instalación con cable de 3 conductores

- 5** Enhebre el cable de 3 conductores a través de la abrazadera de descarga de tracción. Apriete los tornillos de la abrazadera de descarga de tracción (2.5 Nm) de modo que el cable de alimentación no se mueva.

**i** Esto mantendrá el cable de alimentación en su lugar y facilitará la correcta instalación de los tornillos de los bornes.

- 6** Conecte los 2 conductores externos del cable de alimentación (rojo y negro, cualquiera de los dos puede ir a la izquierda o a la derecha) a los 2 bornes rotulados con la L. Conecte el conductor del cable de alimentación sobrante (blanco) en el borne marcado con la letra N.

**i** Asegúrese de que los tornillos de los bornes queden alineados correctamente con las tuercas de los bornes para evitar forzar las roscas.



- 7** Apriete los 3 tornillos de los bornes (3 Nm) de modo que los conductores queden firmemente sujetos.



### ADVERTENCIA

Después de apretar los tornillos, verifique que los bornes estén firmemente sujetos en el lugar para asegurar una conexión eléctrica adecuada; de lo contrario, podría producirse una condición peligrosa.

- 8** Verifique la abrazadera de descarga de tracción para asegurarse de que esté apretada y de que no se pueda girar.

- 9** Vuelva a colocar la cubierta en la bornera y ajústela en su lugar.

**i** ¡Asegúrese de que la abrazadera de descarga de tracción esté fuera de la cubierta!

- 10** El electrodoméstico ya está listo para enchufar en un receptáculo con la capacidad nominal correcta.



## Conexión del tubo de aire de salida

### ADVERTENCIA

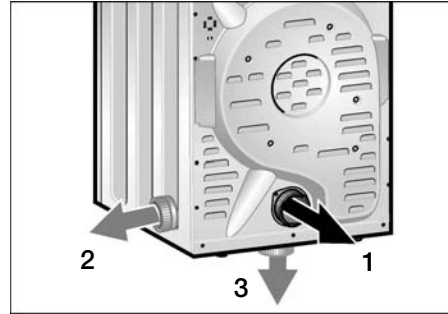
1. A fin de reducir el peligro de incendio, el aire de salida de este electrodoméstico DEBE CONDUCIRSE AL EXTERIOR.
2. Para reducir el riesgo de incendio, no utilice sistemas de conductos más largos que los recomendados. Consulte la tabla de Longitud máxima del sistema de conductos (ver página 42).
3. No use un conducto de plástico u hojas metálicas, ni ningún otro conducto no metálico con este secador. Sólo se deben usar conductos de metal rígido o flexible para la extracción. Los conductos de hojas metálicas y de metal flexible NO son lo mismo.
4. NO use más de 2.4 m de conductos de metal flexible.
5. NO use un conducto de menos de 4 pulgadas de diámetro.
6. NO descargue el aire del secador en: chimeneas, paredes, techos, lugares cerrados de un edificio, conductos de aire frío de un horno, áticos, huecos sanitarios ni otro sistema de conductos para ventilación.
7. No instale un tubo flexible empotrado en la pared, un cielorraso o piso.
8. NO retuerza ni doble el tubo.
9. Controle y limpie la tubería regularmente. Como mínimo una vez al año.
10. El tubo de salida de aire debe terminar de modo de evitar la circulación inversa, la entrada de pájaros u otros animales.
11. NO arme el sistema de conductos con tornillos ni sujetadores que queden introducidos en él.
12. NO arme el sistema de conductos con tornillos ni sujetadores que queden introducidos en él. Sirven como punto de acumulación de pelusa. Las uniones se deben sujetar con cinta de aluminio.

### Salida de aire del secador

El secador se provee con una salida de aire ubicada en la parte posterior del mismo.

Para tener en cuenta los requerimientos de espacio y un sistema de ventilación eventualmente existente, se posibilitan las siguientes opciones de conexión:

- en el lado derecho del electrodoméstico,
- en la parte inferior del electrodoméstico.



- 1 – Salida de aire en la parte posterior del electrodoméstico (estándar)
- 2 – Salida de aire en el costado del electrodoméstico (opción)
- 3 – Salida de aire en la parte inferior del electrodoméstico (opción)

Las conexiones especiales para el aire de salida, se las provee su vendedor al igual que parte requeridas para cada opción (ver la página 43).

- Juego para salida lateral
- Juego de salida inferior

El cambio de la salida de aire y una conexión opcional, debe efectuarla un técnico calificado.

### Tubería

#### Puntos importantes a considerar:

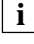
El sistema de respiradero del secador separa el aire húmedo mientras la ropa se seca. Usted puede acortar tiempos de secado, salvar energía y ayudar a asegurar la seguridad del sistema cerciorándose que el sistema del conducto de escape de secador sea instalado apropiadamente y es mantenido.

- Mantenga los tramos de conducto (la totalidad del sistema de conductos del escape, desde la secadora hasta la parte externa de la campana del escape) lo más cortos posible (consulte la tabla "Longitud máxima del sistema de conductos" de la página 42.)

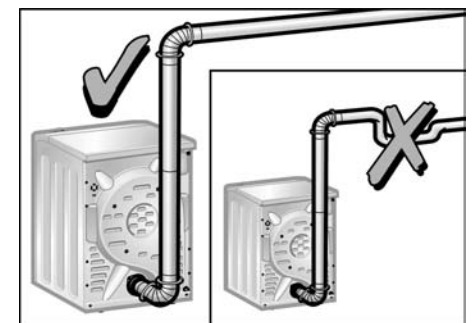
- Use la cantidad mínima de codos necesaria para instalar el sistema de conductos del escape. Evite colocar dos codos de 90 grados uno al lado del otro.
- Verifique y limpie el sistema de conductos del escape y la campana del escape, por lo menos, dos veces por año, y siempre que sospeche que el funcionamiento de la secadora ha empeorado.

Retire la pelusa acumulada para evitar la disminución del flujo de aire o las obstrucciones del sistema. Se recomienda realizar una limpieza profesional en forma anual y al conectar la secadora a un sistema de conductos de escape utilizado previamente.

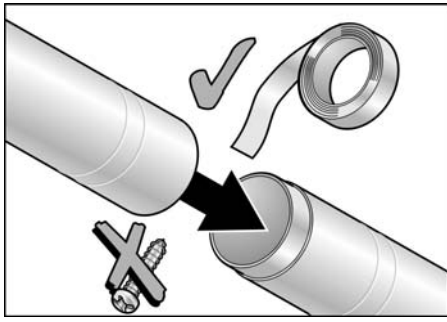
- Reemplace cualquier tramo de ventilación de plástico u hojas metálicas con conductos de metal rígido o metal flexible. Se recomienda el uso de conductos de metal rígido.

-  La correcta instalación del sistema del escape es responsabilidad del consumidor.

**Los problemas que se produzcan debido a la instalación incorrecta no están cubiertos por la garantía del electrodoméstico.**



No está permitido el uso de un sistema de conductos del escape más largo que el especificado en la tabla de longitud máxima del sistema de conductos en la página 42. No ajustarse a esta tabla prolongará el tiempo de secado, se acumulará pelusa, y el rendimiento del secador, así como su vida útil, se verán afectados.



Todas las juntas de los tubos deben sellarse para que no presenten pérdidas. El extremo del tubo de menor diámetro, deberá señalar en el sentido de circulación del aire.

Independientemente de conectar la tubería a un sistema existente o nuevo, asegure que esté libre de pelusas.

En la siguiente tabla, se incluye la longitud máxima permitida tanto para conductos rígidos como para conductos rígidos usados con conductos de metal flexible. Si se usan conductos de metal flexible para conectar el electrodoméstico al sistema de conductos, la longitud total del conducto de metal flexible utilizado no excederá los 2.4 m y puede utilizarse únicamente para conectar el secador al sistema de conductos. Como se muestra en la siguiente tabla, la longitud máxima del sistema de conductos se reduce si se utilizan conductos flexibles.

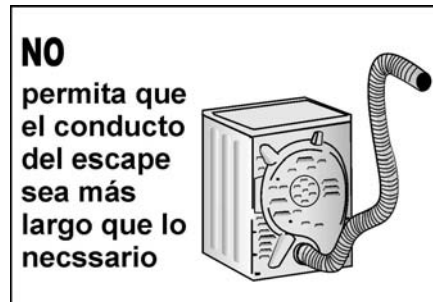
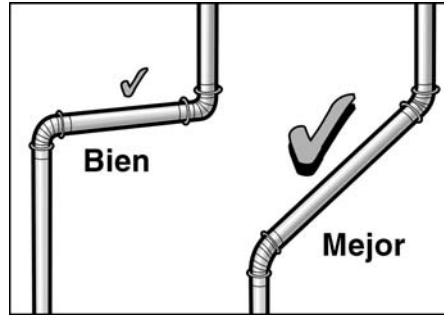
### Longitud máxima del sistema de conductos

Número de codos de 90°	Tubo rígido	Conductos flexibles en combinación con conductos rígidos
0	66 ft. (2011 cm)	45 ft. (1372 cm)
1	56 ft. (1707 cm)	36 ft. (1097 cm)
2	48 ft. (1463 cm)	29 ft. (884 cm)
3	39 ft. (1189 cm)	22 ft. (671 cm)
4	30 ft. (914 cm)	16 ft. (488 cm)

#### Nota:

Las instalaciones del escape lateral e inferior tienen un giro de 90° dentro del secador. Tome esto en cuenta al usar la tabla anterior.

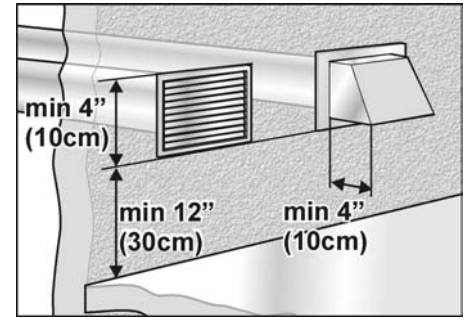
No se recomienda el uso de más de 2 codos de 90°. Para un resultado óptimo, separe los codos por lo menos con 4 pies de tubería recta, incluyendo en ello la distancia entre el último codo y el sombrerete.



### Sombrerete de ventilación

El tubo de ventilación debe terminar en un sombrerete de ventilación aprobado con laminillas de cierre amortiguado. NO utilice un sombrerete con seguros magnéticos.

Para evitar restricciones en la ventilación, la salida debe presentar un distancia mínima de 12 pulgadas (30 cm) sobre el suelo u otra superficie de obstrucción.



### Piezas necesarias para el sistema de conductos

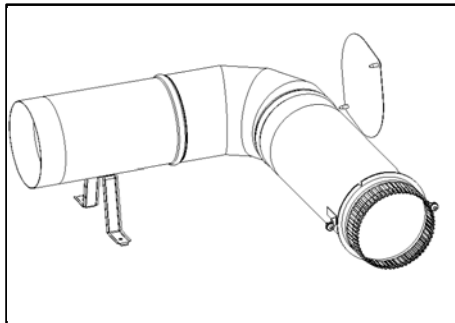
Las piezas necesarias para el sistema de aire del escape (codos, líneas, salidas de aire del escape) no se incluyen en la entrega estándar de la secadora (consulte la sección Accesorios para obtener información sobre cómo solicitar las piezas). Siga las instrucciones suministradas con las piezas.

Se recomienda la instalación profesional del sistema de conductos.

## Accesorios

Los siguientes accesorios opcionales para su secadora pueden solicitarse al servicio técnico (consulte la página 55) o a su distribuidor local. ¡Rogamos tener en cuenta las instrucciones de instalación que provee el fabricante!

### Juego para salida lateral



Nº de parte: **WTZ1265**

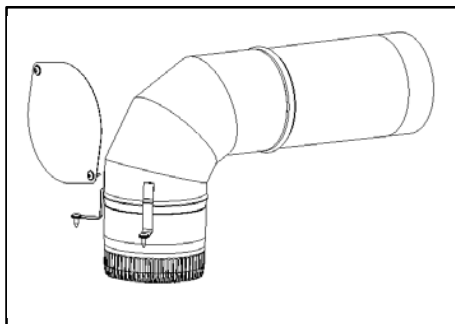
#### Nota:

Consulte las notas sobre la cantidad máxima de codos en la página 42.

**i** Se necesita una herramienta especial para calar el orificio del escape en el panel lateral de la secadora.

Para obtener más información, comuníquese con su distribuidor local.

### Juego de salida inferior

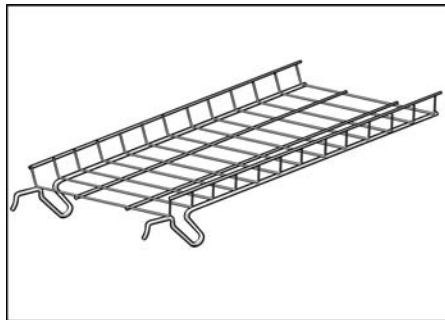


Nº de parte: **WTZ1270**

#### Nota:

Consulte las notas sobre la cantidad máxima de codos en la página 42.

### Canastilla para secar



Nº de parte: **WTZ1290**

Utilice la canastilla para secar prendas de lana lavables (p. ej. suéteres) y calzados.

### Juego de salida por la izquierda

Nº de parte: **WTZ1260** (Secadores de Blancos y para secadores de dos colores)

Nº de parte: **WTZ1260S** (Secadores de Plata y tono duo)

De fábrica, la puerta presenta las bisagras a la derecha. El asa de la puerta puede cambiarse al lado opuesto si es necesario. Consulte con su vendedor o con nuestro equipo de servicio a clientes (ver página 55).

### Montje sobre pedestal

Número accesorio del pedestal de 8 pulgadas

Nº de parte: **WTZ 1295** (Secadores de Blancos)

Nº de parte: **WTZ 1295S** (Secadores de Plata)

Nº de parte: **WTZ 1295P** (Secadores de Plata/blanco del tono del duo)

Número accesorio del pedestal de 15 pulgadas

**WTZ 1500** para el color blanco sólida

**WTZ 1500S** para la plata sólida

**WTZ 1500P** del tono para el plata/blanco del tono duo

**WTZ 1500C** del tono para el champán/blanco del tono del duo

Si monta el secador Sobre un pedestal de Bosch siga las instrucciones suministradas con el pedestal.

## Preparar el secador para el transporte, paso a paso

**i** Estos procedimientos deben ser realizados por personal calificado únicamente.

1. Gire el selector de programas a la posición «Off».
2. Desconecte la alimentación (apague el disyuntor, desenchufe el electrodoméstico).
3. Cierre el grifo de agua conectado a la manguera de suministro de agua. Desconecte la manguera de suministro de agua.
4. Desconecte el tubo de ventilación de la salida correspondiente en el secador.
5. Recoja todos los accesorios y embálelos para enviarlos con el electrodoméstico.
6. Cierre la puerta y asegúrela con cinta adhesiva.
7. Atornille los pies ajustables en altura hasta que queden dentro de la carcasa para evitar que se dañen durante el transporte.
8. **Reinstalación del secador en una nueva ubicación** – Consulte las Instrucciones de Instalación en este manual (ver página 33).

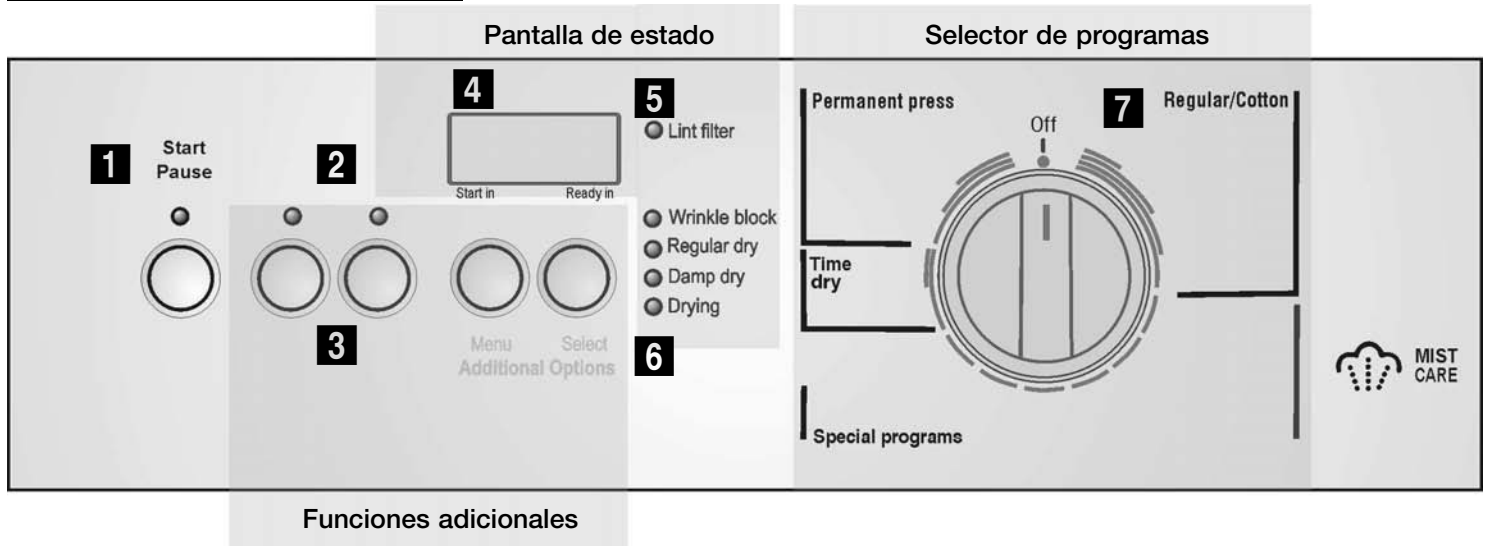
# INSTRUCCIONES DE FUNCIONAMIENTO

Antes de usar

Panel de manejo

## ADVERTENCIA

Antes de usar su secadora, lea y siga todas las instrucciones de la instalación y funcionamiento.



### **1** Botón Start/Pause

Arranque y parada)  
Arranca, interrumpe y para el proceso de secado.

#### Estado del indicador luminoso Start/Pause (Arranque/Pausa)

**Luz titilante:** Pueden cambiarse los ajustes, puede arrancarse el ciclo de secado, o el programa está en modo "Pause" (Pausa).

**Luz titilante:** Pueden cambiarse los ajustes, puede arrancarse el ciclo de secado, o el programa está en modo "Pause" (Pausa).

**No encendida:** El programa finalizó, o no se ha seleccionado ningún programa.

### **2** Botón Opcione

Agregue funciones al programa seleccionado. El indicador luminoso está encendido cuando el botón de opciones está seleccionado. Presione el botón de opciones nuevamente para apagar la opción (el indicador luminoso se apaga).

**Delicates low temp. (Ropa fina baja temperatura):** Presione el botón Delicates low temp. (Ropa fina baja temperatura) para tratar prendas sensibles a la temperatura (p. ej., fibras de acrílico). Se reduce la temperatura y se prolonga el tiempo que dura el proceso de secado, en la misma proporción.

**ECO E:** Presiónelo para ahorrar más energía (úselo sólo para los programas automáticos para algodón y planchado permanente). Presione el botón de la opción antes de arrancar un programa automático.

### **3** Signal (Señal) (500 Series)

Presione los dos botones de opciones al mismo tiempo para habilitar una señal acústica que indique la finalización del programa (ver página 46). La señal de la Serie 800 se configura en el menú de la pantalla (ver página 48).

### **4** Display Serie 500 Plus

Indica el tiempo restante estimado de los programas.

### Serie 800

Indica los ajustes de las opciones adicionales y el tiempo restante estimado de los programas. (Ver página 48)

#### Opciones adicionales

**Menu (Menú)** selecciona una de las opciones adicionales

**Select (Seleccionar)** cambia los ajustes de la opción seleccionada

### **5** Lint Filter LED

**Titila para recordarle que limpie el filtro para pelusas antes y después del uso.** Encendida (fija) cuando se abre la puerta durante un programa o en caso de que el flujo de aire se reduzca lo suficiente para crear un error E:01 (ver guía de localización de fallos, página 53).

### **6** Luces indicadoras (LED)

Los indicadores luminosos se encienden en secuencia para mostrar el estado de humedad actual del proceso de secado.

**Protección contra arrugado** – al final del programa de secado, suena una señal acústica y se enciende el indicador luminoso Wrinkle block (Protección contra arrugado). El tambor rota a intervalos específicos durante una hora para evitar que la ropa se arrugue (ver página 46).

### **7** Selector de programa

Selecciona el programa. Ver página 46. Puede girárselo en ambas direcciones.

Para apagar el secador, conmutar el selector de programa a «Off».

## Información adicional de seguridad



### ADVERTENCIA

Tenga siempre en cuenta las INSTRUCCIONES DE SEGURIDAD IMPORTANTES (Ver página 31).

## Protección del medio ambiente

### Consejos para la racionalización de energía

Bosch recomienda lo siguiente, para racionalizar energía, dinero y tiempo:

- **¡Escorra la ropa prolijamente!**  
Antes del secado, centrifugue la ropa prolijamente en la máquina de lavar. ¡Utilice la velocidad de centrifugado máxima admisible para el tipo de ropa en cuestión! Velocidades de centrifugado elevadas reducen el tiempo de secado y el consumo de energía.
- **¡Utilice la carga óptima!**  
Use la carga máxima recomendada. Sin embargo no debe excedérsela.
- **¡Limpie el filtro!**  
Limpie el filtro antes y después de cada proceso de secado (ver página 50).
- **¡Ventile el ambiente de emplazamiento!**  
Provea un suministro adecuado de aire fresco durante el proceso de secado.
- **¡No seque materiales inadecuados!**  
No seque prendas engomadas o impermeables.
- **¡Limpie e inspeccione el sistema de escape en forma regular!**  
Las obstrucciones pueden prolongar el tiempo de secado o hacer que el secador funcione mal.

## Desconexión temporal del secador

Haga funcionar su secador únicamente cuando está en su casa. Si tiene intención de irse de vacaciones o no va a usar el secador por un tiempo prolongado:

1. Corte el conmutador de alimentación.
2. Si es posible, desconecte el enchufe de alimentación.
3. Limpie el filtro de pelusas.
4. Cierre los grifos de agua.

## Ropa

### Identificación de prendas

Observe el símbolo que determina el tratamiento en las etiquetas de las prendas. Éstas proveen información importante respecto de eventuales limitaciones concernientes al proceso de secado.

No seque textiles de los siguientes tipos:

- Impermeables (p. ej. engomadas)
- Ropa fina (seda, cortinas sintéticas)

**i** ¡Seque prendas de lana o con alto contenido de lana, únicamente sobre la cesta!

**i** Utilice el programa «Air fluff/no heat» (Suavizado a aire/ningún calor) para secar materiales de espuma de goma o similares.

## Consejos para el secado

En principio, lo siguiente encuentra aplicación en todos los programas:

- Para lograr un secado uniforme, seleccione la ropa de acuerdo al tipo de prenda y al programa a utilizar.
- Cierre cierres, ganchos y botones. Sujete cintas sueltas, delantales, cordeles, etc.
- No seque demasiado prendas de fácil cuidado. ¡Existe el peligro que se arruguen! Deje que estas prendas se sequen al aire libre.
- No planche la ropa inmediatamente después de secarla. Deje la ropa apilada por un momento. De esta manera se distribuye de modo pareja la humedad.
- Trabajos de punto (p. ej. camisas, prendas de jersey) muchas veces encogen cuando se las seca por primera vez. No utilice el programa «Very dry/Extra dry» (Muy seco/Extra seco).

# Selección del programa

Para obtener resultados de secado óptimos, su secador ofrece varios grupos de programas y opciones adicionales.

**Los programas automáticos** incluyen Regular/Cotton (Normal/Algodón) y Permanent press (Planchado permanente). La selección del programa se basa, en parte, en el tipo de tejido del lavado. Estos programas se controlan con sensores de humedad. La duración de los programas depende del grado de humedad medido en la ropa y del grado de secado seleccionado (p. ej., Damp dry (Húmedo), Regular Dry (Seco normal) o Extra dry (Extra seco)).

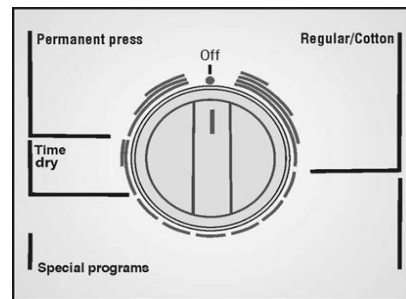
**Los programas de tiempo** tienen una duración especificada. El ciclo de tiempo Air fluff/No heat (Suavizado a aire/Ningún calor) funciona por 20 minutos con aire del medio ambiente (temperatura ambiente) y sin suministro de calor.

**Los programas especiales** tienen un diseño personalizado para tipos específicos de tejidos, tales como lana o mezclilla. Los productos o las prendas de lana sólo deben secarse usando la canastilla del secador.

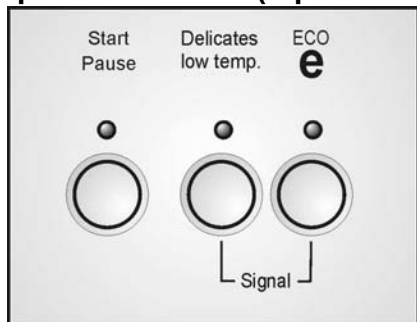
**Los ciclos MISTCARE®** son mejores para eliminar arrugas y reducir olores. Estos programas deben usarse con cargas que consistan en tres o cuatro prendas de algodón inarrugable, mezcla de algodón/poliéster, suéteres de algodón tejido o fibras sintéticas.

Durante este ciclo, se pulveriza una pequeña cantidad de agua en el tambor mientras gira con calor. Este proceso se repite, seguido de más giros y un breve período de enfriamiento. Para estos programas, el nivel de calor y el tiempo están preajustados.

Nota: Los resultados pueden variar según el tipo de tejido. Las prendas de 100% algodón con acabado antiarrugas pueden dar mejores resultados. Si la boquilla deja de pulverizar durante uno de los ciclos MISTCARE® (los síntomas serían que no se observa pulverización de agua en el tambor, la ropa tiene más arrugas que lo habitual con esta función), asegúrese de que la boquilla no esté obstruida. Es posible que se acumule pelusa que obstruya la punta de la boquilla, o el agua dura puede provocar acumulación de sarro en la boquilla (ver página 52).



## Option Buttons (Opciones)



### Delicates low temp. (Ropa fina baja temperatura)

Presione el botón «Delicates low temp.» (Ropa fina baja temperatura) para tratar prendas sensibles a la temperatura. Tenga en cuenta las informaciones de cuidado o los símbolos sobre las prendas. Se reduce la temperatura y se prolonga el tiempo que dura el proceso de secado.

### ECO e

Su secador tiene una opción ECO para «ahorro de energía». Esta opción se usa sólo con los programas automáticos para algodón y planchado permanente. Se reduce la temperatura y se prolonga el tiempo que dura el proceso de secado. Presione el botón de la opción antes de arrancar un programa automático.

**i** El tamaño de la carga, el tipo de tejido y las condiciones climáticas afectan la opción "ahorro de energía" del programa ECO e.

**i** Combinar esta función con el botón Delicates low temp. (Ropa fina baja temperatura) puede generar más ahorro.

### Signal (Señal)

#### 500 Serie

Su secador emite diversas señales. Si se presiona el botón "Signal" (Señal) y se enciende la luz indicadora, se generan los siguientes tonos audibles que indican el estado del electrodoméstico.

Señal	Tipo
Arranque	Sonido corto
Fin de programa	Secuencia de sonidos cortos
Fallo en el funcionamiento	Secuencia de sonidos prolongados
Advertencia de mal funcionamiento	Secuencia de sonidos prolongados

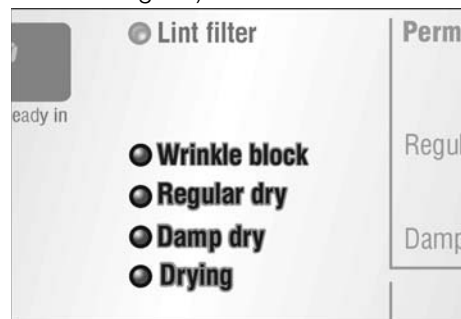
**i** La señal "Warning of malfunction" (Advertencia de mal funcionamiento) está siempre activa, se haya presionado o no el botón "Signal" (Señal).

## Indicador de estado del programa

El secador utiliza un sistema de seguimiento para todos los programas, excepto los programas de tiempo. Un sensor de humedad controla permanentemente el grado de humedad de la ropa. El secado concluye inmediatamente, en cuanto se logra el grado de humedad ajustado.

El tambor sigue girando por una hora a intervalos específicos, a fin de evitar que la ropa se arrugue.

El grado de humedad vigente y el nivel logrado durante la secuencia del programa se indica a través de luces indicadoras: drying (secado), damp dry (no muy seco), regular dry (secado normal) y Wrinkle block (protección contra arrugado).



**i** Si se enciende el indicador luminoso «Wrinkle block» mientras el selector de programas está en la posición Off, corte el suministro de energía eléctrica apagando el conmutador correspondiente y llame al servicio a clientes.

## Programas automáticos

**Regular/Cotton ECOSENSOR** (Normal/Algodón) Para algodón y ropa de color hecha de algodón o lino. Presione «Delicates low temp.» (Ropa fina baja temperatura) para ropa sensible a altas temperaturas.

<b>Damp dry</b> (Húmedo seco)	Sábanas, manteles y toallas	debe plancharse
	Sábanas, manteles y toallas, camisas, camisas deportivas, ropa de trabajo	
	Camisas, camisas deportivas, trajes, pantalones, ropa de trabajo e interior	
<b>Regular dry</b> (Medianamente seco)	Toallas de rizo, repasadores, y toallas de mano, sábanas, ropa interior, soquetes de algodón	que no debe plancharse
<b>Very dry</b> (Muy seco)	Toallas de rizo, repasadores, y toallas de mano, sábanas, ropa interior, soquetes de algodón	que no debe plancharse gruesos multicapa
<b>Extra dry</b> (Extra seco)	Salidas de baño de rizo y sábanas de rizo,	particularmente gruesas o multicapa

**Permanent Press ECOSENSOR** (Estampados) Ropa de fácil cuidado (sin centrifugar) de fibra sintética o mezcla, algodón con poliéster. Presione el botón «Delicates low temp.» para prendas extremadamente sensibles a altas temperaturas.

<b>Damp dry</b> (Húmedo seco)	Pantalones, trajes, faldas, camisas, blusas, jeans, ropa deportiva con abundante fibra sintética, lencería	que no debe plancharse o solo ligeramente
<b>Regular dry</b> (Medianamente seco)	Camisas, blusas, ropa deportiva	que no debe plancharse
<b>Very dry</b> (Muy seco)	Sábanas y manteles, equipos de gimnasia, anoraks, frazadas	que no debe plancharse gruesos multicapa

## MISTCARE® Programs

<b>MISTCARE® Refresh</b>	Algodón, mezclas de algodón/poliéster, tejidos comunes y camisas sintéticas, pantalones, faldas, camisetas y pulóveres de mezcla de algodón. Los tejidos inarrugables dan los mejores resultados. Ayuda a alisar las arrugas y reducir los olores. Úselo con una carga ligera, por ejemplo, 3 ó 4 camisas. El programa dura aproximadamente 16 minutos.
<b>MISTCARE® Wrinkle relax</b>	Ayuda a alisar las arrugas. Úselo con una carga ligera, por ejemplo, 3 ó 4 camisas. El programa dura aproximadamente 12 minutos.
<b>MISTCARE® Touch up</b>	Este programa se usa para retocar una carga de tejidos de algodón que se ha secado y ha quedado en el tambor del secador durante toda la noche, al finalizar el ciclo. Este programa de 20 minutos retoca la carga para ayudar a alisar las arrugas causadas por el propio peso de la carga.
	La ropa que contiene espuma, hule o plástico debe dejarse secar en un tendedero o usando el ciclo Air fluff/No heat (Suavizado a aire/Ningún calor) ya que estos artículos pueden prenderse fuego debido al calor que emite el programa MISTCARE.

## Special Programs

<b>Wool</b>	Tejidos de lana lavables (p.ej., suéteres, pulóveres de lana, faldas) <b>¡Los tejidos de lana secos o con alto contenido de lana deben secarse sólo con la canastilla del secador!</b>
<b>Jeans (Mezclilla)</b>	Tela de mezclilla gruesa
<b>Quick</b> (800 Series)	Cargas pequeñas, cargas que necesitan poco tiempo de secado, (p. ej., camisas deportivas, prendas para hacer ejercicios (algodón, fibras sintéticas))

## Programas temporizados

<b>30 min., 60 min.</b> (Serie 500) <b>Medium + required drying time</b> (800 Series)  (Serie 800) Si selecciona un programa de duración variable (p. ej., programas de tiempo, para lana) la pantalla comienza a centellear. Debe ajustar el tiempo.	Prendas centrifugadas con bajo contenido de humedad, pequeños artículos individuales, p. ej., toallas de baño, trajes de baño, repasadores. Para la condición de carga más pequeña, de 0.22 lb a 0.44 lb (es decir, una toalla pequeña) debe seleccionarse un programa de secado por tiempo. – Para algodón y ropa de color hecha de algodón o lino. – Textiles sensibles a altas temperaturas.
<b>Air fluff/No heat</b> (Suavizado a aire/Ningún calor)(500 Series) <b>Air fluff / No heat + required time</b> (800 Series)	Refrescado o ventilación de prendas con poco uso y secado de textiles muy delicados. Para todos los tipos de prendas incluyendo goma espuma (p. ej. almohadas, animales de peluche), plástico (p. ej. cortinas de baño, manteles), goma (p. ej. alfombrillas), nylon puro, polipropileno, olefin).

## Opciones adicionales Serie 800

**i** ¡Antes de activar opciones adicionales, seleccione un programa con el selector correspondiente!



Seleccione la opción que desea cambiar mediante el botón «Menu». Presione el botón para cambiar al punto siguiente en el menú. El símbolo correspondiente a la opción activa comienza a centellear.

El ajuste de la opción activa en el momento se indica en el display. Estos ajustes pueden cambiarse ahora, mediante el botón «Select». Presione este botón para saltar al próximo ajuste posible.

**i** Presionando nuevamente el botón «Menu», se memorizan los ajustes realizados anteriormente. Si no presiona botón alguno en los 10 segundos siguientes, los ajustes se memorizan automáticamente.

Símbolo	Función	Ajustes posibles	Explanacion														
	Ajusta el retraso del tiempo de iniciación del secador (Arranque en ... horas!)	0 a 12 h (pasos de 0.5 hs)															
	Cuidado intensivo (más cuidadoso que «Delicates/low heat» (Ropa fina/baja temperatura))	On/Off	Si usted ha elegido la opción adicional "cuidado adicional" la "temperatura baja Delicada/low." la luz de indicador ilumina. Presionar la "temperatura de Delicada/low." el botón cancela la opción adicional "cuidado adicional".														
	Bloqueo de datos (efectivo solamente mientras el programa está en curso)	On/Off	Esta opción adicional permite que usted trabaje sus ajustes para prevenir el uso involuntario del secador. Para encender el secador cuando el protector de seguridad esté activo: Presione y sostenga el botón "prender y parar" por 4 segundos. Para abrir esta opción adicional cuando el secador está funcionando: Presione y sostenga el botón "prender y parar" por 4 segundos.														
	Extra Drying Time Grado de secado seleccionable por el usuario	0, 1, 2, 3 (0=default, 1=dryer, 3=dryest)	Si usted ha elegido los pasos 1 a 3 de la opción adicional "grado de la sequedad" se exhibe el símbolo Z. 0 es el estándar que fija 0 símbolos no se exhibe Z.														
	Volumen de la señal de finalización de programa y de secado	Off, Continuo, Máximo	Su secador hace salir diversas señales para ciertos acontecimientos. Usted puede permitir o inhabilitar la señal simultáneamente presionando los botones demostrados.														
	El tiempo de secado optimizado para la velocidad de centrifugado coordina el tiempo restante mostrado para el secador con la velocidad de centrifugado a la cual se centrifugó previamente la ropa en la lavadora	400 600 800 1000 120	Para optimizar la pantalla de tiempo restante, la velocidad de centrifugado a la cual se centrifugó previamente la ropa en la lavadora puede ser ingresada por el usuario.														
			<table border="1"> <thead> <tr> <th>Event</th> <th>Signal (señal)</th> </tr> </thead> <tbody> <tr> <td>Permita la señal</td> <td>Tono corto</td> </tr> <tr> <td>Inhabilite la señal</td> <td>Dos tonos cortos</td> </tr> <tr> <td>Comience El Ciclo</td> <td>Tono corto</td> </tr> <tr> <td>Terminar el ciclo</td> <td>Secuencia de tonos cortos</td> </tr> <tr> <td>Mal-Operación</td> <td>Secuencia de tono largas</td> </tr> <tr> <td>Cuidado del malfuncionamiento</td> <td>Ordre de longues tonalités (volumen maximos)</td> </tr> </tbody> </table>	Event	Signal (señal)	Permita la señal	Tono corto	Inhabilite la señal	Dos tonos cortos	Comience El Ciclo	Tono corto	Terminar el ciclo	Secuencia de tonos cortos	Mal-Operación	Secuencia de tono largas	Cuidado del malfuncionamiento	Ordre de longues tonalités (volumen maximos)
Event	Signal (señal)																
Permita la señal	Tono corto																
Inhabilite la señal	Dos tonos cortos																
Comience El Ciclo	Tono corto																
Terminar el ciclo	Secuencia de tonos cortos																
Mal-Operación	Secuencia de tono largas																
Cuidado del malfuncionamiento	Ordre de longues tonalités (volumen maximos)																



# Funcionamiento

## Uso del secador

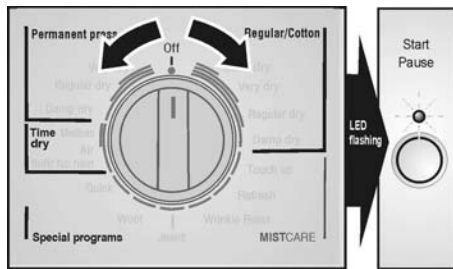
1. Abra la puerta.



2. Controle el filtro.

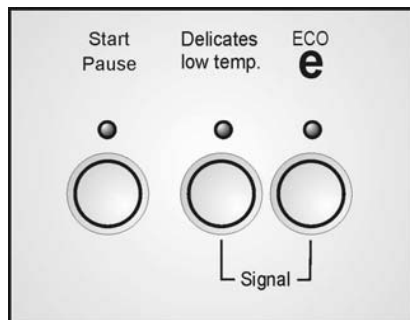
Debe limpiarse el filtro antes y después de usar el secador. Limpiar el filtro reduce el tiempo de secado y ahorra energía. (Ver página 50 para consultar las instrucciones de limpieza del filtro para pelusas).

**i** Si las superficies coloreadas de la secador entran en contacto con el blanqueador, puede ocurrir que éstas se decoloren. Por ello es importante que el blanqueador no entre en contacto con las superficies mencionadas. Si se desparamara blanqueador sobre las superficies coloreadas, limpie inmediatamente con un paño de papel húmedo on la mayor prolijidad.



3. Gire el selector de programas al programa deseado. Selecciones el programa que corresponda a la ropa colocada en el secador de la tabla correspondiente (ver página 46). Se enciende la luz en el interior del secador.

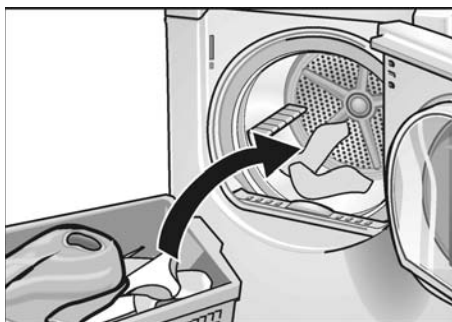
**i** La luz indicadora <<start/stoop>> comienza a centellear.



4. Si hace falta, seleccione una opción disponible ("Delicates low temp" (Ropa fina baja temperatura) o "Signal" (Señal)) presionando el botón correspondiente (ver figura anterior).

Las «Opciones» se explican el la página 46.

**i** Se mostrará el tiempo restante estimado.



5. Coloque la ropa en el tambor vacío. Coloque cada prenda por separado en el interior de la máquina.
  - Para un resultado óptimo, debe separarse la ropa en función de su tipo y el grado de humedad residual deseado. Para más información, consulte la página 45.

**i** Tenga en cuenta los símbolos para el secado de la ropa, colocados por el fabricante. Si está por secar prendas de lana y calzados, consulte la página 50.

Asegúrese que haya solamente ropa en el tambor. Controle que todas las prendas estén completamente dentro del tambor.

6. Cierre la puerta.

La luz indicadora «Start/Stop» continúa a centellear.

**i** Si la puerta no fue cerrada correctamente, el secador no arrancará.



7. Presione el botón «Start/Stop». Le luz indicadora «Start/Stop» quedará encendida permanentemente.

**i** El programa comienza con una señal acústica (si así fue ajustado). Si fue seleccionado un programa estándar, las luces indicadoras señalan el avance de la secuencia del programa.

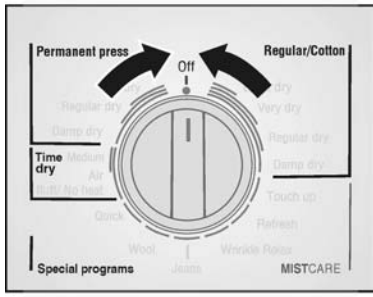


**i** Al finalizar el programa se emite una señal acústica (si así fue ajustado) y se enciende el LED «Wrinkle block» (protección contra arrugado).

**i** Una vez que el proceso de secado ha finalizado (el programa o el programa de tiempo han concluido), el tambor gira en intervalos específicos durante 1 hora. Esto evita que la ropa se arrugue. La ropa permanece suelta y suave hasta que se la quita. Deberá quitarse la ropa como máximo, una vez concluido este tiempo.

8. Abra la puerta.

9. Saque la ropa del secador.



10. Gire el selector de programas a la posición «Off». La luz del secador se apaga.
11. Limpie el filtro. El filtro debe limpiarse después de cada proceso de secado. Un filtro limpio reduce el tiempo de secado y ahorra energía.
12. Cierre la puerta.

## Limpiar el filtro para pelusas

Un filtro sucio incrementa el tiempo de secado y aumenta el consumo de energía.

El filtro debe limpiarse antes y después de cada proceso de secado o a más tardar.

Si tanto la señal como el mensaje de alerta E:01 son omitidos durante algún ciclo de secado, limpie el filtro inmediatamente y chequee el ducto de escape.

**i** El programa se interrumpe automáticamente.

1. Apague el secador. Coloque el selector de programas en "Off" (Apagado).

## **⚠ CUIDADO**

La parte interior de la puerta se calienta durante el proceso.

2. Abra la puerta.



3. Quite el filtro.



4. Quite las pelusas pasando la mano sobre el filtro.

El filtro debe ser restregado suavemente dos veces al año con agua tibia enjabonada. El filtro debe ser limpiado cuando no es capaz de mantener el agua. El filtro debe estar bien seco antes de que sea reemplazado.



5. Coloque el filtro.
6. Cierre la puerta.

## Uso de la canastilla

(Accesorio, ver página 43)

Utilice la canastilla para secar prendas de lana lavables (p. ej. suéteres) y calzados. La canastilla para secar permanece quieta mientras el tambor gira. La lana húmeda no debe moverse ya que tiende a afeltrarse. Secar calzados sin la canastilla, puede dañar el tambor.

**i** Utilice la canastilla para secar con el ciclo para prendas de lana. Si no utiliza la canastilla, el sensor apagará el secador después de aproximadamente 7 minutos.

## AVISO

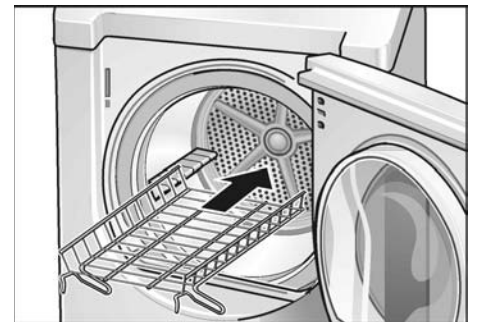
¡Seque solamente una prenda o un par de zapatos por vez! ¡La carga máxima para secar es de 2,2 lbs (1 kg)! ¡La ropa debe haberse centrifugado! ¡El calzado a secar debe presentar solamente la humedad residual después de un lavado! ¡La ropa no debe tocar el tambor! Puede engancharse en éste y dañarse. Una vez utilizada la canastilla para secar, sáquela inmediatamente del secador.

## Colocar la canastilla para secar

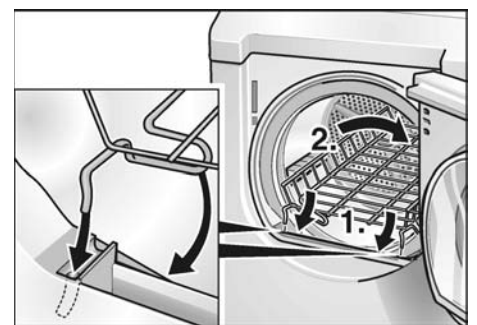
1. Abra la puerta del secador.
2. Controle que el tambor esté vacío.



3. Quite el filtro.



4. Inserte la canastilla para secar horizontalmente en el tambor.



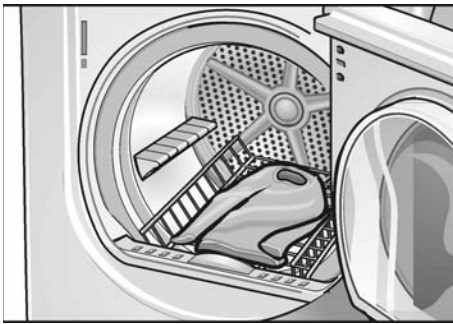
5. Coloque la canastilla para secar de modo que los soportes penetren en los alojamientos frontales previstos a tal fin.



6. Coloque el filtro para la pelusa. ¡Este debe insertarse de modo que quede alineado con el borde del tambor!

### Secar prendas de ropa sobre la canastilla

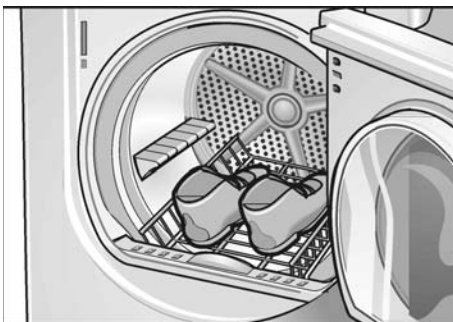
1. Pliegue la ropa de modo que quepa en la canastilla.



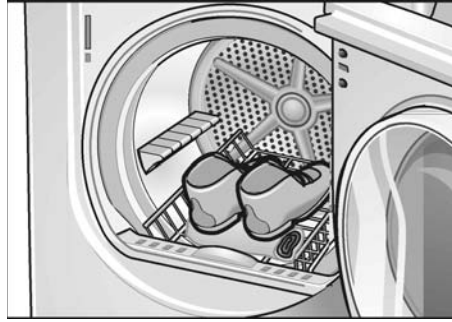
2. Coloque la ropa suelta sobre la canastilla. ¡No la aplaste! ¡La ropa no debe tocar el tambor! ¡No permita que la ropa cuelgue fuera de la canastilla!
3. Cierre la puerta.
4. Gire el selector de programas a «Time dry/...min».
- Seleccione el tiempo de secado de acuerdo con el tipo de ropa.

### Secar calzado sobre la canastilla:

1. Prepare el calzado.
- Limpie el calzado para evitar que el tambor se ensucie.
  - Al preparar el calzado, extienda la lengua de los mismos.
  - Afloje o quite los cordones.
  - Extraiga partes adicionales como plantillas.



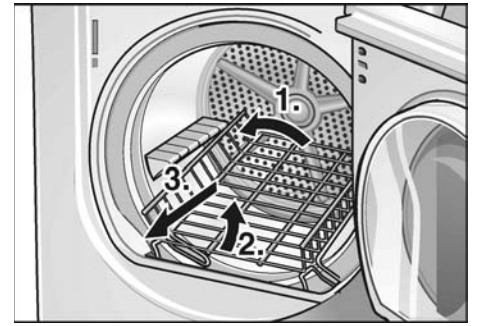
2. Coloque el calzado sobre la canastilla.
- Directamente sobre la canastilla o bien



- Coloque una toalla y, sobre ésta, los tacos del calzado. Esto conducirá a un resultado más uniforme del secado.



3. Vuelva a colocar el filtro para las pelusas.
4. Presione el botón «Start/Stop». La luz indicadora «Start/Stop» quedará encendida permanentemente.
5. Si la prenda aún presenta una humedad residual después del secado:
- pliegue la prenda de modo que las partes húmedas están hacia fuera,
  - vuelva a hacer arrancar el proceso de secado y selecciones un tiempo de secado menor, según el grado de humedad residual.
6. Después del secado, extienda la ropa al aire libre por aproximadamente 15 minutos (el calzado por aproximadamente 30 minutos).
7. Quite el filtro.



8. Extraiga la canastilla del tambor.



9. Vuelva a colocar el filtro para las pelusas.

# Limpeza y cuidado

## Limpeza del secador

### ADVERTENCIA

#### PARA EVITAR

#### ¡PELIGRO DE EXPLOSIONES!

Nunca utilice solventes o líquidos altamente inflamables para la limpieza.

### AVISO

Una limpieza incorrecta, puede dañar el secador. No limpie con chorro de agua a presión. No utilice agentes agresivos o limpiadores multiuso. No utilice limpiadores a vapor.

Friegue la carcasa y el frente con un paño suave y agua con jabón. Friegue el tambor, la junta de la puerta y el interior del mismo solamente con un paño húmedo.

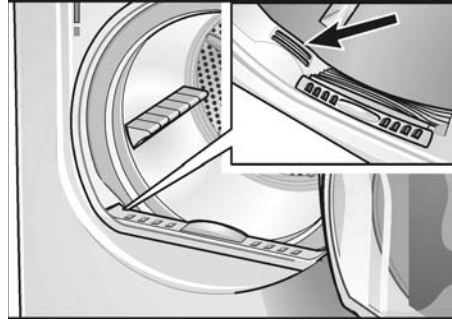
## Limpiar el tubo de aire de salida

Inspeccione y limpie los conductos del escape, por lo menos, una vez al año para prevenir obstrucciones. Un conducto de escape parcialmente obstruido prolonga el tiempo de secado y tiene como consecuencia un bajo rendimiento del secador.

- Corte el conmutador de alimentación
- Desconecte el enchufe de alimentación
- Desconecte el tubo del secador.
- Vacíe el tubo y vuélvalo a conectar.

## Limpiar el sensor de humedad

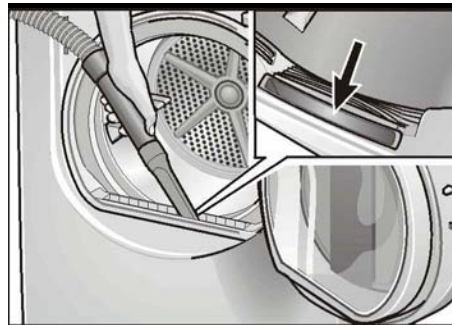
Ocasionalmente debe limpiarse el sensor de humedad, ya que se genera una capa fina de depósitos sobre la superficie del mismo.



El depósito puede eliminarse fácilmente, fregando el sensor (las dos barras próximas al filtro para pelusas) mediante un paño y un poco de vinagre blanco. ¡Utilice solamente vinagre blanco! Limpie el sensor de humedad una vez al mes.

## Limpeza de la protección del rodamiento

A través del tiempo, se junta pelusa resultante de los sucesivos procesos de secado en la protección del rodamiento.



Esta pelusa puede eliminarse fácilmente utilizando la aspiradora, por lo menos una vez al mes.

## Limpe el MISTCARE™ Inyector

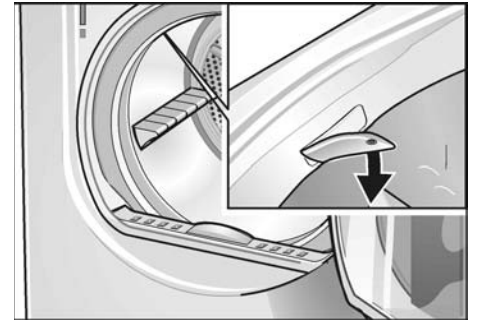
Una vez al año examine el enchufe del inyector. Si usted sospecha la obstrucción, limpie el exterior del inyector con un paño humedecido con vinagre. Si la boquilla está completamente obstruida, consulte la guía de localización de fallos (ver página 54) para conocer las instrucciones de remoción y limpieza. Si la boquilla permanece obstruida, llame a servicio al cliente (ver página 54).

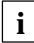
## Cambiar la lamparilla

La luz del secador se enciende, cuando abre la puerta del mismo.

Para cambiar la lamparilla:

- Fije el selector del programa a "Off."
- Corte el conmutador de alimentación.
- Desconecte el enchufe de alimentación.
- Abra la puerta y localice la lamparilla en la parte superior izquierda de la junta.



- Afloje el tornillo de la cobertura y ábrala.
- Gire la lamparilla en el sentido opuesto a las agujas del reloj. Reemplace la lamparilla únicamente por una del tipo para electrodomésticos (se adquiere en el servicio a clientes).
-  Piezas disponibles en [www.boschappliances.com](http://www.boschappliances.com) o llamando al 1-800-944-2904.
- Vuelva a colocar la cubierta y sujétela mediante el tornillo.
- Vuelva a enchufar el secador o a conectar la alimentación.

# Localización de fallos



## ADVERTENCIA

¡PARA EVITAR RIESGO DE DESCARGAS ELÉCTRICAS!  
Eventuales reparaciones o reemplazos de piezas deben efectuarse exclusivamente técnicos calificados o electricistas con licencia.

Antes de llamar el servicio a clientes, controle si no puede reparar el fallo usted mismo, consultando la esta tabla.  
Si es necesario efectuar reparaciones y usted no puede eliminar el fallo mediante la tabla siguiente:

1. Gire el selector de programas a «Off».
2. Quite el fusible.
3. Desconecte el enchufe del tomacorriente.
4. Llame al servicio para clientes (consulte la página 55).

Problema	Causa posible	Remedio
El secador no arranca. «Start/Stop» la luz de indicador no ilumina.	El enchufe no está conectado o incorrectamente conectado.	Conecte el enchufe correctamente.
	Se ha quemado un fusible de la alimentación.	Cambie o reponga el fusible.
	No fue pulsado el botón «Start/Stop».	Presione el botón «Start/Stop».
	No fue seleccionado programa alguno.	Seleccione un programa.
	La puerta no está cerrada.	Cierre la puerta.
Fue interrumpido el programa. Se emite una señal de advertencia y el display indica «E:01».	La temperatura ambiente está debajo de los 41 °F/5 °C.	Aumente la temperatura del ambiente.
	El filtro para pelusas está sucio.	Limpie el filtro para pelusas según se describe en página 50. Apague y vuelva a encender equipo.
	El tubo de aire de salida está obstruido o es demasiado largo.	Limpie el tubo de aire de salida. Reduzca la longitud del tubo de aire de salida a su longitud máxima según se describe en página 42. Apague y vuelva a encender equipo.
	Hay un fallo en el desarrollo del programa o fallo en la máquina.	Apague el secador, déjelo enfriar por 30 minutos y vuelva a encenderlo. Haga arrancar nuevamente el programa.
No se ha logrado el grado de humedad deseado o el tiempo de secado es demasiado largo. El display indica «E:03».	El ambiente o gabinete no posee la ventilación suficiente.	Proporcione un acceso de aire fresco suficiente. Apague y vuelva a encender equipo.
	Está sucio el sensor de humedad.	Limpie el sensor de humedad según se describe en la página 52. Apague y vuelva a encender el equipo.
	El tubo de aire de salida está obstruido o es demasiado largo.	Limpie el tubo de aire de salida. Reduzca la longitud del tubo de aire de salida a su longitud máxima según se describe en página 42. Apague y vuelva a encender equipo.
	El filtro para pelusas está sucio.	Limpie el filtro para pelusas según se describe en página 50. Apague y vuelva a encender equipo.
	La ropa está demasiado mojada.	Centrifugue la ropa a mayor velocidad en la máquina de lavar. Apague y vuelva a encender el equipo.
	Se ha seleccionado un programa no admisible.	Seleccione el programa con ayuda de la tabla correspondiente (ver página 48). Apague y vuelva a encender el equipo.
	Se excede el tiempo de secado máximo.	Limpie el filtro para pelusas (ver página 50). Controle la salida de aire. Centrifugue la ropa a mayor velocidad en su lavadora.
	El motor ha excedido la temperatura máxima.	Apague el secador, déjelo enfriar por 30 minutos y vuelva a encenderlo. Haga arrancar el programa.
El grado de humedad honesta correctamente ajustado	800 Serie, Cambia ajustes para el grado de la sequedad, véase en la página 48.	

Problema	Causa posible	Remedio
No funciona la luz en el tambor.	No fue seleccionado programa alguno.	Seleccione un programa.
	La lamparilla está defectuosa o quemada.	Cambie la lamparilla según se indica en la página 52.
	No hay alimentación de energía.	Controle que la alimentación de energía funcione correctamente.
	La bombilla es floja.	Apriete la bombilla. Quite y reinstale la cubierta según lo dirigido en la página 76.
No se enciende la luz indicadora «Start/Stop». La luz indicadora “Wrinkle block” (Protección contra arrugado). EL display indica «000».	Error en el desarrollo del programa o fallo en la máquina.	Apague el secador, déjelo enfriar por 30 minutos y vuelva a encenderlo. Haga arrancar nuevamente el programa.
El filtro de la pelusa LED esta intermitente después de que el filtro ha sido cambiado.	La intermitencia del filtro de la pelusa LED no es indicación de que hay un problema. Solo es usado como un recordatorio para limpiar el filtro de la pelusa.	No requiere de ninguna acción. LED dejara de estar intermitente.
Ruido inusual      ruido sordo	Los rodillos de suspensión del tambor necesitan tiempo para calentarse.	No se requiere hacer nada. Cuando los rodillos del sistema de suspensión se calienten, el ruido sordo disminuirá y deberá detenerse a los 2–3 minutos de empezar a usar el secador.
Ruido inusual      Vibración constante	El secador no está nivelado.	Nivele el secador (consulte la sección “Instrucciones de Instalación” del manual del usuario).
Ruido inusual      Vibración rítmica	La carga rebota porque la ropa se agrupó formando una bola.	Detenga el secador, separe las prendas, vuelva a encender el secador.
No se pulveriza agua en la unidad durante los ciclos MISTCARE™	La(s) llave(s) de agua no está(n) abierta(s).	Abra la llave de agua.
	<b>La función de seguridad de la manguera AQUASTOP®</b> está activada.	Confirme la <b>activación de la manguera AQUASTOP®</b> mediante inspección visual del indicador rojo de la manguera (ver página 36). Si aparece el indicador rojo (la manguera está activada) reemplace la manguera.
	Boquilla obstruida	Retire la boquilla con una llave de cubo de 7/16 pulgada. Coloque la boquilla en un recipiente lleno con vinagre blanco en cantidad suficiente para cubrir la boquilla. Deje la boquilla en remojo durante cinco minutos y luego friegue la punta de la boquilla suavemente con un cepillo dental para eliminar los residuos. Enjuague la boquilla y vuelva a insertarla en el secador. Apriétela a mano y luego apriete una vuelta más con la llave.

## SERVICIO y REPARACIONES

### ADVERTENCIA

**ADVERTENCIA:** Identifique todos los cables antes de desconectarlos al realizar el servicio técnico de los controles. Los errores de cableado pueden causar una operación incorrecta que podría provocar graves daños al electrodoméstico o lesiones personales. Verifique la correcta operación después de realizar el servicio técnico.

El secador no requiere de otros cuidados especiales, aparte de aquellos especificados más arriba.

**i** Si tiene un problema con su secador, antes de llamar el servicio a clientes, consulte la tabla en página 53.

Si se hace necesario un servicio, póngase en contacto con su vendedor, instalador u otro centro de servicios autorizado. No intente reparar el electrodoméstico usted mismo. Cualquier trabajo realizado por personal no autorizado, hará caducar la garantía.

Si tiene problemas y no está conforma con el servicio recibido:

- Primero rogamos ponerse en contacto con su instalador o bien el servicio autorizado y contratado Bosch de su zona, explicando porque no está conforme, explicando a que se debe su disconformidad.
- Si después del trabajo realizado por su instalador o técnico de servicio el problema no ha sido solucionado a su satisfacción, háganoslo saber, o bien escribiendo a:

BSH Home Appliances Corporation  
5551 McFadden Ave.  
Huntington Beach, CA 92649

O bien llámenos a

**1-800-944-2904.**

Tanto en caso de escribir o de llamar, asegúrese de incluir o tener a mano la siguiente información:

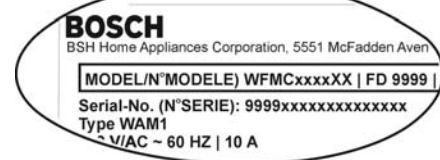
- Número de modelo
- Número de serie
- Fecha de compra original
- Fecha en la cual ha ocurrido el problema
- Explicación del problema

En caso que nos escriba, rogamos incluir también un número telefónico diurno y una copia de la factura de compra.

Encontrará la información respecto del número de modelo y de serie sobre la chapa de características ubicada en el interior del panel frontal.

La imagen a continuación muestra la ubicación aproximada de la placa de valores nominales. El número de modelo tiene un rectángulo alrededor. El número de serie está ubicado debajo del número de modelo.

Un ejemplo se demuestra abajo.



El fabricante se reserva el derecho de realizar modificaciones al producto o al manual sin notificación.

















# DECLARACIÓN DE GARANTÍA LIMITADA DEL PRODUCTO

Secador de ropa Bosch Nexxt®

**Cobertura de esta garantía y a quiénes se aplica:** La garantía limitada otorgada por BSH Home Appliances Corporation (Bosch) en esta Declaración de Garantía Limitada del Producto se aplica únicamente al secador de ropa (“Producto”) Bosch Nexxt® vendido a usted, el primer comprador usuario, pero estrictamente condicionada a que el producto haya sido comprado: (1) para uso doméstico (no comercial) normal y haya sido utilizado en todo momento únicamente para fines domésticos normales (cualquier uso o programación comercial del producto anula automáticamente la garantía); (2) nuevo en una tienda minorista (que no sea un producto de exhibición, ni un producto vendido “en las condiciones en que se encuentra”, ni un modelo devuelto anteriormente) comprado directamente por el consumidor final, y no esté destinado para reventa ni uso comercial; y (3) dentro de los Estados Unidos o Canadá, y permanezca en todo momento dentro del país de compra original. Las garantías incluidas en el presente se aplican únicamente al primer comprador del Producto y no son transferibles. La garantía se anula automáticamente si el Producto fue un modelo de exhibición, un producto vendido “en las condiciones en las que se encuentra”, forzado, un modelo dañado o “con ralladuras y abolladuras”, o un modelo devuelto anteriormente, un obsequio, donación caritativa o premio de un concurso.

- Asegúrese de devolver su tarjeta de registro; si bien no es necesario para hacer efectiva la cobertura de la garantía, es la mejor manera para que Bosch le notifique en el caso poco probable de que se emita un aviso de seguridad o se retire del mercado un producto.

**Duración de la garantía:** Bosch garantiza que el Producto no tiene defectos en los materiales ni en la mano de obra durante un período de trescientos sesenta y cinco (365) días a partir de la fecha de compra. El período precedente comienza a regir a partir de la fecha de compra y no se interrumpirá, dejará sin efecto, extenderá ni suspenderá por ningún motivo.

**Reparación/reemplazo como único recurso:** Durante el período de esta garantía, Bosch o uno de sus proveedores de servicio técnico autorizados reparará su Producto sin cargo para usted (con sujeción a determinadas limitaciones especificadas en el presente) si se prueba que su Producto ha sido fabricado con un defecto en los materiales o en la mano de obra. Si se ha intentado de manera razonable reparar el Producto sin éxito, Bosch reemplazará su Producto (es posible que usted tenga disponibles modelos mejorados, a entera discreción de Bosch, por un cargo adicional). Todas las piezas y los componentes extraídos serán propiedad de Bosch, a su entera discreción. Todas las piezas reemplazadas y/o reparadas se considerarán como la pieza original a los fines de esta garantía, y esta garantía no se extenderá con respecto a dichas piezas. En virtud del presente, la única y exclusiva responsabilidad y obligación de Bosch es únicamente reparar el Producto defectuoso de fábrica, a través de un proveedor de servicio técnico autorizado por Bosch durante el horario normal de oficina. Por cuestiones de seguridad y daños materiales, Bosch recomienda categóricamente que no intente reparar el Producto usted mismo ni use un centro de servicio técnico no autorizado; Bosch no tendrá responsabilidad ni obligación alguna por las reparaciones o trabajos realizados por un centro de servicio técnico no autorizado. Si usted prefiere que una persona que no es un proveedor de este servicio técnico autorizado trabaje en su Producto, ESTA GARANTÍA SE ANULARÁ AUTOMÁTICAMENTE. Los proveedores de servicio técnico autorizados son aquellas personas o compañías que han sido especialmente capacitadas para manejar los productos Bosch y que tienen, según el criterio de Bosch, una reputación superior de servicio al cliente y capacidad técnica (debe tener en cuenta que son entidades independientes y *no* son agentes, socios, afiliados ni representantes de Bosch). Sin perjuicio de lo que antecede, Bosch no tendrá responsabilidad ni obligación alguna por el Producto que se encuentre en un área remota (a más de 100 millas de un proveedor de servicio técnico autorizado) o en un lugar, área circundante o entorno que no sea accesible por medios razonables o que sea peligroso, hostil o arriesgado; en cualquier caso, a su solicitud, Bosch de todas maneras pagará por la mano de obra y las piezas, y enviará las piezas al proveedor de servicio técnico autorizado más cercano, pero usted seguirá siendo totalmente responsable por el tiempo de viaje y demás cargos especiales de la compañía de servicio técnico, suponiendo que acepte hacer la visita de servicio técnico.

## Garantía limitada extendida:

DURACIÓN DE LA GARANTÍA	ALCANCE DE LA GARANTÍA
2 años de garantía limitada a partir de la fecha de compra	Bosch proveerá repuestos, sin cargo, de los componentes que se encuentren defectuosos en condiciones de uso doméstico normal durante los dos primeros años a partir de la fecha de compra, incluidos los costos normales (no acelerados) de envío y sin incluir los gastos por mano de obra.
2 años de garantía limitada para sistemas electrónicos a partir de la fecha de compra	Bosch reparará o reemplazará, sin cargo, cualquier microprocesador o tablero de circuitos impreso que se encuentre defectuoso en condiciones de uso doméstico normal durante los dos primeros años a partir de la fecha de compra, sin incluir los cargos por mano de obra.
2 años de garantía limitada para el motor a partir de la fecha de compra	Bosch reparará o reemplazará, sin cargo, cualquier motor o componente de un motor que se encuentre defectuoso en condiciones de uso doméstico normal durante los dos primeros años a partir de la fecha de compra, sin incluir los cargos por mano de obra.

**Producto fuera de garantía:** Bosch no tiene obligación alguna, en virtud de la ley o por otro motivo, de otorgarle ninguna concesión, incluidos reparaciones, prorrates o reemplazo del Producto, con posterioridad al vencimiento de la garantía.

**Exclusiones de la garantía:** La cobertura de garantía descrita en el presente excluye todos los defectos o daños que no fueron provocados directamente por Bosch, incluidos, entre otros, alguno de los siguientes: (1) uso del Producto de maneras distintas del uso normal, habitual y previsto (incluidos, entre otros, cualquier forma de uso comercial, uso o almacenamiento en exteriores de un producto diseñado para interiores, uso del Producto en aeronaves o embarcaciones); (2) conducta indebida, negligencia, uso indebido, abuso, accidentes, descuido, operación inadecuada, omisión de mantener, instalación inadecuada o negligente, adulteración, omisión de seguir las instrucciones de operación, manipulación inadecuada, servicio técnico no autorizado (incluidos “arreglos” o exploración de los mecanismos internos del electrodoméstico realizados por uno mismo) por parte de cualquier persona; (3) ajuste, alteración o modificación de cualquier tipo; (4) incumplimiento de los códigos, reglamentaciones o leyes de electricidad, plomería y/o construcción locales, municipales o de condado, incluida la omisión de instalar el producto cumpliendo estrictamente con los códigos y reglamentaciones locales de construcción y protección contra incendios; (5) desgaste habitual, derrames de alimentos, líquidos, acumulaciones de grasa u otras sustancias que se acumulen sobre, dentro o alrededor del Producto; y (6) cualquier fuerza y factor externo, elemental y/o ambiental, incluidos, entre otros, lluvia, viento, arena, inundaciones, incendios, aludes de lodo, temperaturas bajas extremas, humedad excesiva o exposición prolongada a la humedad, rayos, sobrecargas eléctricas, fallas estructurales alrededor del electrodoméstico y caso fortuito. En ningún caso, Bosch tendrá responsabilidad ni obligación alguna por los daños ocasionados a los bienes circundantes, incluidos los gabinetes, pisos, techos y demás estructuras u objetos que se encuentren alrededor del producto. También se excluyen de esta garantía las rayas, hendiduras, abolladuras menores y daños estéticos en superficies externas y piezas expuestas; productos en los cuales los números de serie hayan sido alterados, modificados o eliminados; visitas del servicio técnico para enseñarle a usar el Producto o visitas en las que se determine que no hay ningún problema con el Producto; corrección de los problemas de instalación (usted es el único responsable de cualquier estructura y soporte del Producto, incluidas las instalaciones de electricidad y plomería o demás instalaciones de conexión, de la correcta instalación en bases/pisos y de cualquier alteración, incluidos, entre otros, gabinetes, paredes, pisos, repisas, etc.); y el restablecimiento de disyuntores o fusibles. EN LA MEDIDA PERMITIDA POR LA LEY, ESTA GARANTÍA ESTABLECE SUS RECURSOS EXCLUSIVOS CON RESPECTO AL PRODUCTO, INDEPENDIENTEMENTE DE QUE LA RECLAMACIÓN SEA CONTRACTUAL O EXTRA CONTRACTUAL (INCLUIDA LA RESPONSABILIDAD OBJETIVA O LA NEGLIGENCIA), O DE CUALQUIER OTRO MODO. ESTA GARANTÍA REEMPLAZA TODAS LAS DEMÁS GARANTÍAS EXPRESAS O IMPLÍCITAS. LAS GARANTÍAS IMPLÍCITAS POR LEY, YA SEA DE COMERCIABILIDAD O APTITUD PARA UN FIN ESPECÍFICO, O DE CUALQUIER OTRO TIPO, TENDRÁN VIGENCIA ÚNICAMENTE POR EL PERÍODO DE VIGENCIA DE LA PRESENTE GARANTÍA LIMITADA EXPRESA. EN NINGÚN CASO, EL FABRICANTE SERÁ RESPONSABLE POR LOS DAÑOS CONSECUENTES, ESPECIALES, INCIDENTALES, INDIRECTOS, POR “PÉRDIDAS COMERCIALES” Y/O DAÑOS PUNITIVOS, PÉRDIDAS O GASTOS, INCLUIDOS, ENTRE OTROS, TIEMPO FUERA DEL TRABAJO, HOTELES Y/O COMIDAS EN RESTAURANTES, GASTOS DE REMODELACIÓN QUE SUPEREN LOS DAÑOS DIRECTOS, QUE DEFINITIVAMENTE HAYAN SIDO CAUSADOS DE MANERA EXCLUSIVA POR BOSCH O DE OTRO MODO. ALGUNOS ESTADOS NO PERMITEN LA EXCLUSIÓN O LIMITACIÓN DE DAÑOS INCIDENTALES O CONSECUENTES, Y ALGUNOS ESTADOS NO PERMITEN LIMITACIONES CON RESPECTO AL PLAZO DE VIGENCIA DE UNA GARANTÍA IMPLÍCITA; POR LO TANTO, ES POSIBLE QUE LAS LIMITACIONES PRECEDENTES NO SE APLIQUEN. ESTA GARANTÍA LE OTORGA DERECHOS LEGALES ESPECÍFICOS, Y TAMBIÉN PUEDEN CORRESPONDERLE OTROS DERECHOS QUE PUEDEN VARIAR SEGÚN EL ESTADO. Ningún intento de alterar, modificar o enmendar la presente garantía entrará en vigencia, a menos que fuera autorizado por escrito por un ejecutivo de BSH.

**Cómo obtener el servicio técnico de la garantía:** Para obtener el servicio técnico de la garantía de su Producto, debe comunicarse con el centro de servicio autorizado de Bosch más cercano.

**BSH Home Appliances Corporation** – 5551 McFadden Avenue, Huntington Beach, CA 92649 / 800-944-2904