



Bosch Nexxt[®] 300 Series Washer

Models / Modèle / Modelo:
WFMC2201UC



BOSCH
Invented for life

en Operating, Care and Installation Instructions
fr Seche-linge: Notice d'utilisation, de maintenance et d'installation
es Secador: Operación, cuidado y instrucciones para la instalación

Features and Benefits of Your New Washer

SENSOTRONIC® Technology

The Bosch **SENSOTRONIC®** technology optimizes the wash process at every stage of the cycle by sensing load size, water level and temperature needs for superior results. Digital sensors care for all fabrics including wool, mohair and silk. This machine virtually operates at the touch of a button.

Exclusive Hinge and Gasket System

A reinforced hinge and a new, revolutionary gasket design keep the door shut. They also seal in the heat, allowing your laundry to reach the optimum temperature, which eliminates even the toughest stains.

3-Part Detergent Dispenser

A 3-part dispenser automatically distributes the appropriate amounts of detergent, bleach and softener at exactly the right times. And, working together with our unique suds sensor, you can be sure your clothing is rinsed completely clean.

KIDSCARE™ Cycle

The littlest people in the house usually account for the toughest stains. This cycle heats the wash water up to 150° F to remove even the most stubborn stains with ease.

Archie Paddles

As your wash gently tumbles, Archie paddles cascade water from high above, rinsing away suds and giving your laundry a complete, even clean. An inclined drum works with them to ensure not a single shirt goes unturned.

Stainless Steel Drum

The **Nexxt** washer drum has hundreds of smooth double punched holes, which allow your garments to gently tumble completely snag-free.

Internal Water Heater

An Internal Heating Element heats the water to up to 150° F while a Digital Temperature Sensor continually monitors the water temperature. Bosch **Nexxt®** washers deliver the most efficient and accurate water heating method for each selected fabric type.

Quiet Performance

Bosch laundry appliances use brushless motors, suspended pump systems and special sound-deadening material to keep them exceptionally quiet while in operation. Which means they can be installed virtually anywhere in the home without causing a disturbance.

SYNCRO™ Technology

Manage your washer and dryer times with the **SYNCRO™** Technology Operation Logic. The **Nexxt®** Dryers coordinate with the spin speed of the washer, based upon the fabric setting and water temperature of your wash load. Therefore, your wash pile won't stack up as you wait for your dryer to finish its cycle.

Table of Contents

Definitions	4
IMPORTANT SAFETY INSTRUCTIONS	4
GROUNDING INSTRUCTIONS	5
INSTALLATION INSTRUCTION	6
Introduction	6
Information concerning waste disposal	6
Intended use	6
Environmental Protection / Conservation Issues	6
Factory-supplied equipment	6
Dimensions	7
Installation area	7
Removing the transport bolts	7
Water connection	8
Hose and cable lengths	10
Electrical connection	10
Leveling procedure	11
Transport, such as when moving out	11
OPERATING INSTRUCTION	12
Your new washer	12
Panel	13
Summary of Instructions	14
Before Using For the First Time	15
Using For the First Time	15
First washing cycle (without laundry)	15
Preparing the laundry	15
Sorting the laundry	15
Degrees of soiling	15
Loading the laundry	16
Laundry Detergents and Additives	16
Dispensing the correct amount of detergent	16
Filling laundry detergent and/or additives	17
Decolorizing	17
Programs and Functions	17
Basic programs	17
Special programs	17
Modifiers	18
Option buttons	18
Acoustic Signal	18
Indicator light above the "Start/Pause" button	18
Special features	19
Washing	19
During Washing	20
Changing a program	20
Add a garment / Interrupting the program	20
Canceling active program	20
After Washing	20
Cleaning and Care	21
Cleaning the washer	21
Descaling the washing machine	22
Troubleshooting of Minor Faults	23
Customer Service	25
STATEMENT OF LIMITED PRODUCT WARRANTY	26
STATEMENT OF WARRANTIES FOR BOSCH CLOTHES WASHERS	28
Exclusions	28
Program Selection Table	92

Congratulations!

The new washing machine you just purchased is a modern, high quality domestic appliance.

This modern washing machine cleans your laundry using the most sophisticated washing processes to obtain superior cleaning results.

Excellent engineering and reliability reduces operating costs significantly.

An easy operation philosophy, a variety of customized washing programs and a solid touch and feel makes this appliance a user-friendly assistant in your household.

It offers the following standard features:

- Low noise level for washing and spinning.
- High door with pull-lock (magnetic door lock).
- Door opening 16 inches (41 cm), quality sturdy hinge, opening angle -180°.
- Drum capacity 17.6 lbs (8 kg) for regular cotton.

Each washing machine which leaves our factory has undergone a thorough performance test and is in full working condition. The appliance may contain residual water due to the testing procedures. If you have any questions concerning installation of the washing machine, our customer service will be happy to advise you.

Further information and a selection of our products can be found on our Web site: www.boschappliances.com

Please read and follow these operating and installation instructions along with all other information enclosed with the washing machine.

These operating and installation instructions describe various models. Differences are indicated in the appropriate places.

The illustrations may show different details than your washer.

Definitions



WARNING

WARNING – This indicates that death or serious injuries may occur as a result of non-observance of this warning.



CAUTION

CAUTION – This indicates that injuries may occur as a result of non-observance of this warning.

ATTENTION

ATTENTION – This indicates that damage may occur as a result of non-observance of this warning.

i This symbol is used to draw the user's attention to important matters.

IMPORTANT SAFETY INSTRUCTIONS



WARNING

To reduce the risk of fire, electric shock, serious injury or death when using your washing machine, follow basic precautions, including the following:

1. BOSCH washers are provided with an Operating, Care and Installation Instructions Manual. Read and understand all instructions before using the washing machine.
2. Do not wash articles that have been previously cleaned, washed, soaked, or spotted with gasoline, dry cleaning solvents, other flammable or explosive substances as they give off vapors that could ignite or explode.
3. Do not add gasoline, dry cleaning solvents, or other flammable or explosive substances to the wash water. These substances give off vapors that could ignite or explode.
4. Under certain conditions hydrogen gas may be produced in a hot water system that has not been used for 2 weeks or more. HYDROGEN GAS IS EXPLOSIVE. If the hot water system has not been used for this length of time, turn on all hot water faucets and let the water flow out of each faucet for several minutes before using the washing machine. This will release any accumulated hydrogen gas. As the gas is flammable, do not smoke or use an open flame while carrying out this procedure.
5. Before the appliance is removed from service or discarded, remove the door and the power cord/plug.
6. Do not reach into the appliance if the wash drum is moving.
7. Do not install or store this appliance where it will be exposed to the weather.
8. Do not tamper with the controls.
9. Do not repair or replace any part of the appliance or attempt any service unless specifically recommended in the user maintenance instructions or in published user repair instructions that you understand and have the skills to carry out.
10. Always unplug the washing machine from the power supply before attempting any service. Disconnect the power cord by grasping the plug, not the cord.
11. To reduce the risk of fire, clothes, cleaning rags, mop heads and the like which have been soiled with any flammable substance, such as vegetable oil, cooking oil, petroleum based oils or distillates, waxes, fats, etc., must be kept away from any source of ignition, including a clothes dryer. These items may contain flammable substances which, even after washing, may smoke or catch fire.
12. Do not machine wash fiberglass materials (such as curtains and window coverings that use fiberglass materials). Small particles may remain in the washing machine and stick to fabrics in subsequent wash loads causing skin irritation.

13. When children become old enough to operate the appliance, it is the legal responsibility of the parents or legal guardians to ensure that they are instructed in safe practices by qualified persons.
14. Do not allow children to play on or with the appliance. Close supervision of children is necessary when the appliance is used near children.
15. Keep pets away from the washing machine.
16. Do not insert/pull out the power plug with wet hands.
17. Do not touch the door if washing at high temperatures.
18. Use caution when draining hot water.
19. Do not climb onto the washing machine and/or lean on the open door.
20. Do not sit or stand on the top of the washing machine.
21. To reduce the risk of fire or electrical shock, DO NOT use an extension cord or an adapter to connect the washing machine to the power supply.
22. The washing machine must only be used for its intended purpose.
23. Always follow the fabric care instructions recommended by the clothing manufacturer.
24. Do not use the washing machine if it has a worn power cord or loose plug. If this is the case, contact an authorized service agent.
25. Make sure that all water connections to the washing machine have shut-off valve(s) that are readily accessible. Close the washing machine water shut-off valve(s) at the end of each wash day.
26. Check the fill hose connections on a regular basis to ensure that they are tight and not leaking.
27. Always read and follow the instructions of the manufacturer of the detergent(s), cleaning aid(s), fabric softener(s) and static eliminator(s) which you are using. Heed all warnings and precautions.
28. Store all laundry chemicals and aids in a cool dry place according to the manufacturers' instructions.
29. To reduce the risk of poisoning or chemical burns, keep all cleaning products out of the reach of children.
30. Do not operate the washing machine if any guards, panels and/or fasteners except transport fixing bolts have been removed.
31. Do not operate the washing machine if parts are missing or broken.
32. Do not bypass any safety devices.
33. To avoid floor damage and mold growth, do not let spills or splashes cause standing water around or under the appliance.
34. Do not operate this washing machine until you are sure that:
 - a. the washing machine has been installed according to the INSTALLATION INSTRUCTIONS.
 - b. all water, drain, power and grounding connections are in compliance with all local regulations and/or other applicable regulations and requirements.
35. Failure to install, maintain and/or operate the washing machine according to the manufacturer's instructions may result in injury and/or damage.
36. Removing any panel, including the round service panel in the front can expose sharp edges and points, electrical connections and hot surfaces.
37. To avoid damage to the door, do not push against the door when moving the unit. Precautions should be taken to avoid damage to the floor.
38. The water connections should be made and tested before electrical power is applied to the machine.



Notes:

- A. The IMPORTANT SAFE-GUARDS and WARNINGS indicated in this manual do not cover all possible conditions which may occur. Common sense, caution and care must be exercised when installing, maintaining or operating the washing machine.

- B. Always contact your dealer, distributor, service agent or the manufacturer about any problems or conditions that you do not understand.

GROUNDING INSTRUCTIONS

This appliance must be grounded. In the event of a malfunction or breakdown, grounding will reduce the risk of electric shock by providing a path of least resistance for the electric current. This appliance is equipped with a cord that has an equipment-grounding conductor and a grounding plug. The plug must be plugged into an appropriate outlet that is properly installed and grounded in accordance with all local codes and ordinances.

	WARNING	
<p>Improper connection of the equipment grounding conductor can result in electric shock. Connect to an individual branch circuit. Check with a qualified electrician or serviceman if you are in doubt as to whether the washer is properly grounded. DO NOT modify the plug provided with the appliance – if it will not fit the outlet have a proper outlet installed by a qualified electrician.</p>		

KEEP THESE INSTRUCTIONS FOR FUTURE REFERENCE.

In case of change of ownership, manual should be conveyed with the washer.

SAVE THESE INSTRUCTIONS

INSTALLATION INSTRUCTION

Introduction

CAUTION

TO AVOID RISK OF INJURY
The washing machine is heavy. Lift with caution.

Be sure to observe all listed warnings and cautions.

ATTENTION

Frozen hoses can tear/burst. Do not install the washing machine outdoors or in an area exposed to freezing conditions.

These installation instructions are intended for use by qualified installers. In addition to these instructions, if installing the washing machine:

- In the United States comply with the National Electric Code, ANSI/NFPA70 – latest edition/State and municipal and/or local regulations.
- In Canada comply with the Canadian Electric Code C22.1 – latest edition/Provincial and Municipal and/or local regulations.

If the washing machine is located in a room which will be exposed to temperatures below freezing, or if it is located in a cabin that is being shut down for the winter, any residual water in the pump or water inlet hose(s) **must** be drained.

Take care not to damage the washing machine. Do not hold on to protruding parts (e.g. door) when lifting.

In addition to the safety information listed here, the local water and electricity supplier may have special requirements.

If in doubt, have the appliance connected by an authorized technician.

Information concerning waste disposal

Disposing of the packaging

The shipping package has protected your new appliance on its way to your home. All packaging materials are non-polluting and recyclable. Please contribute to a better environment by disposing of packaging materials in an environmentally friendly manner.

Please ask your dealer or local authority about the best means of disposal.

WARNING

Keep children away from shipping carton and packaging components. Danger of suffocation from plastic foil and folding cartons.

Disposing of your old appliance

Old appliances are not worthless rubbish! Valuable raw materials can be reclaimed from environmentally friendly recycling.

WARNING

If appliance is no longer usable, pull out main plug, cut off power cord and discard.

To prevent children from locking themselves in the appliance, disable the door lock or remove the door.

Intended Use

Your washing machine is intended:

- For domestic use only.
- For washing machine washable fabrics in washing water.
- For operation using cold and hot (140 °F/60 °C) tap water and conventional additives that are suitable for use in residential washing machines.

Environmental Protection / Conservation Issues

Your washing machine uses water, energy and detergent efficiently, thereby protecting the environment and reducing your household costs.

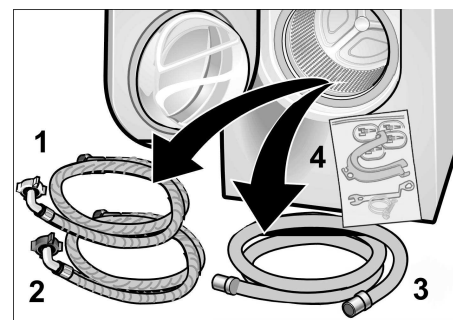
To use your washing machine in an efficient and non polluting manner:

- Avoid using too much detergent.
- Use detergent bearing HE symbol for high efficiency and front loading washers.
- Add detergent according to the degree of soiling, amount of laundry and water hardness, and follow the detergent manufacturer's instructions.

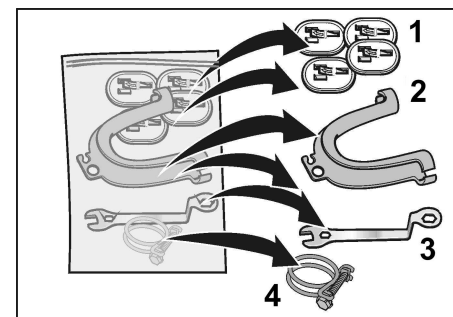
Factory-supplied Equipment

There is a packet of accessory parts supplied with your washer. Check that all the accessory parts supplied for your model are there. If any parts are missing contact your dealer immediately.

The drum contains:



1. Water supply hose for cold water (blue marking).
2. Water supply hose for hot water (red marking).
3. Water drain hose.
4. Accessory parts bag (see below)



The accessory parts bag contains:

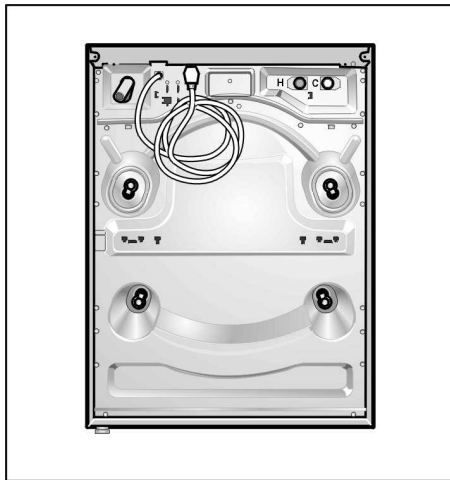
1. Covers to be placed over the holes for the transport bolts (after removing them).
2. Elbow for attaching the drain hose, e.g. to a sink.
3. Wrench for leveling.
4. Clamp for drain hose.

Depending on the type of connection, the following may also be required:

- Y-connector (can be obtained from any hardware store) in case there is only a cold water connection available.

Any residual moisture inside the drum is due to the final testing which every washing machine undergoes before leaving the factory.

Connections located on the rear of the appliance:

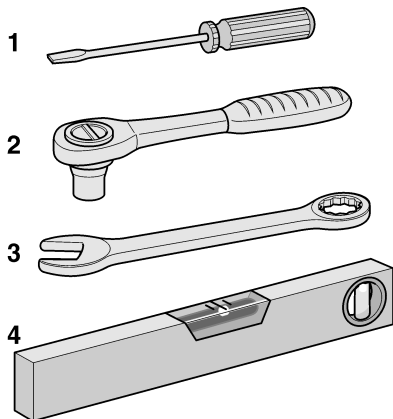


- Power cord with plug.
- H** = hot water connection
- C** = cold water connection

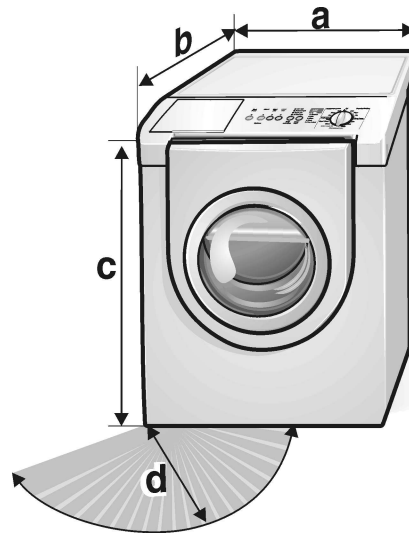
Useful tools

The following tools are helpful:

1. Flat head screwdriver.
2. Socket wrench (1/2" / 13mm).
3. Closed wrench (1/2" / 13 mm).
4. Bubble Level.



Dimensions



- a = 27.0 inches (686 mm)
- b = 30.7 inches (780 mm)
- c = 37.0 inches (940 mm)
- d = 16.0 inches (407 mm)
- Door opening angle 180°
- Approx. weight = 220 lbs (100 kg)

Installation area

⚠ WARNING ⚠

Never ground the washer to plastic plumbing lines, gas lines or hot water pipes.

This appliance must be installed on a solid floor and well leveled due to the higher spin speeds available. If installing the machine on a wood floor over a basement or on a second floor, the floor may need to be reinforced. Sound, vibration, and risk of "walking" will be affected depending on the structure and stability of the floor surface where it is installed.

If the washing machine is to be installed on a weak wood floor consider the following:

- Soft floor surfaces, such as carpets or surfaces with foam backing, are not suitable. If possible, place the washing machine in a corner of the room.
- Screw a water resistant wooden board (at least 3/4" thick) to the floor.
- Secure the feet of the washing machine with holding brackets. Order the holding brackets (set) from Bosch Customer Service (WMZ 2200).

- Units are not designed to be stacked.
- Units are not designed for under counter installation

Pedestal Mounting

If mounting the washer on the Bosch pedestal (accessory no. WTZ1295, for colored variant, accessory no. WTZ1295S) follow the instructions supplied with the pedestal.

- i** Install pedestal prior to removing transport bolts.

Closet

If installing the washer in a closet, observe the minimum distances according to the following table:

Minimum Installation Clearances

	Closet
Sides	1/4" (6 mm)
Top	12" (305 mm)
Rear	2.5" (64 mm)
Front	1/4" (6 mm)

Ventilation:

Top: 48 sq. in (310 sq. cm),
Bottom: 24 sq. in (155 sq. cm)

Checklist for Installation

	Page
completely remove 4 shipping bolts move the washer into place	7
connect the water supply line and drain pipe	8
connect the electrical power	10
slide the washer into its final location	11
level the washer as low as possible	11
before first use, run a cleaning cycle	15

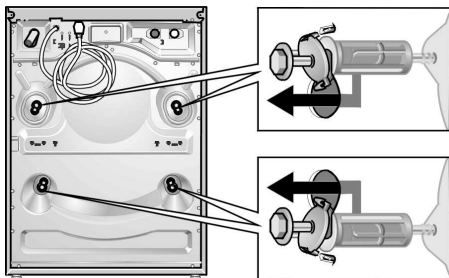
Removing the transport bolts

⚠ CAUTION ⚠

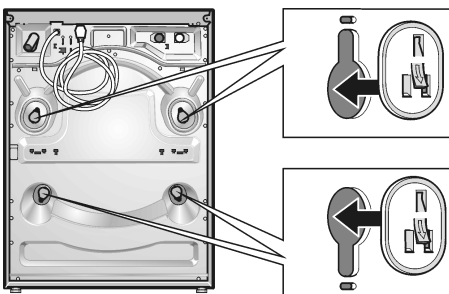
To avoid possible injury and damage to the appliance and adjacent surfaces, all 4 transport bolts must be removed before using the appliance for the first time and must be retained for any future transport (e.g. when moving).

- Loosen all four bolts before removing any of the bolts all the way from the unit.
- Remove the bottom two bolts prior to removing the top two bolts.

- Loosen the bolts using the closed end of the 1/2" wrench provided. Loosen them until they can be removed freely.
- The recessed bottom bolts may be more easily removed using a 1/2" (13 mm) socket wrench.



- Completely remove all 4 transport bolt assemblies (bolt, spring, washer and bushings) by reaching through the open washing machine door and pulling the drum slightly forward to loosen, then pull out from the back.
- If the bushings do not come out when removing the bolts, place the bolts back into the bushings and carefully try again. It is important to do this with the bolts, otherwise the bushings will not come out properly.
- To store the bolts for future use, do not remove the bolts from the plastic bushings.

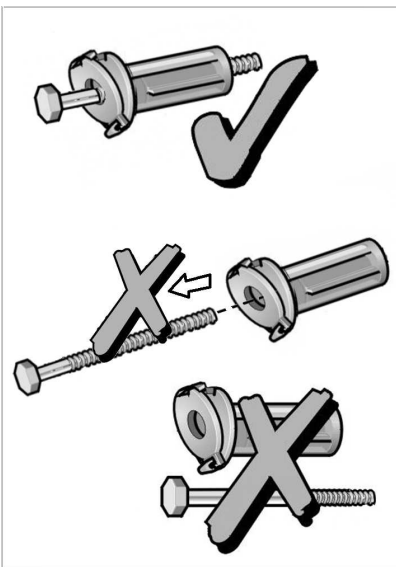


- Insert the covers until they snap in completely.

Storing the transport bolts

Always keep the transport bolts for future transportation of the appliance (such as when moving out).

- Store the transport bolts with the washer and bushing attached.



Water connection

Water supply

ATTENTION

The washing machine must only be operated with cold and hot (max. 140 °F / 60 °C) tap water. Do not connect the appliance to the mixer tap of an unpressurized hot-water boiler.

If in doubt, have the water connection installed by an authorized technician. The water supply hoses must not be:

- Bent or flattened.
- Modified or cut (integrity can no longer be guaranteed).

Observe the water pressure in the supply network:

- The water pressure should be between 14.5 and 145 p.s.i. (1 and 10 bars) when the tap is turned on, at least 2.2 U. S. gallons (8 liters) of water should be discharged per minute.
- A pressure regulator valve must be installed if the maximum water pressure is exceeded.

ATTENTION

To prevent water damage, the hot and cold water valves should be accessible when the washing machine is in place and should always be turned off when the washing machine is not in use.

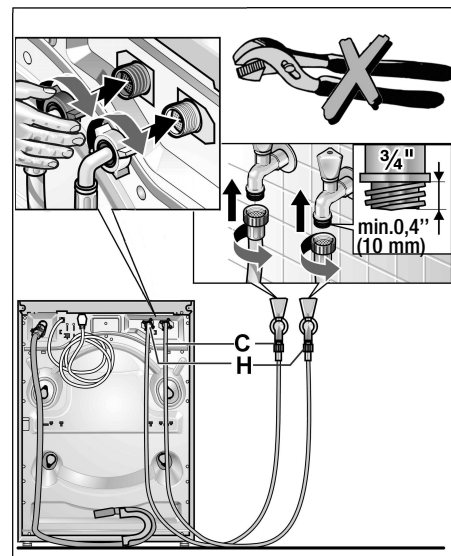
ATTENTION

If installing the washing machine in a new building or a building in which the plumbing system was recently installed or upgraded, flush the lines before installing the washing machine to remove any sand, dirt or residue.

Supply Line Connection

C Cold water connection and
H Hot water connection
(max. 140 °F / 60 °C)

- Plastic threads must only be tightened **by hand** when connecting the water supply hoses to the back of the unit. Do not remove the strainers from the water supply hoses.



- After connecting, turn on the water completely, and check that connection points are watertight.



CAUTION

The connection points are under full water pressure. Check seal with tap fully open.

Water drainage

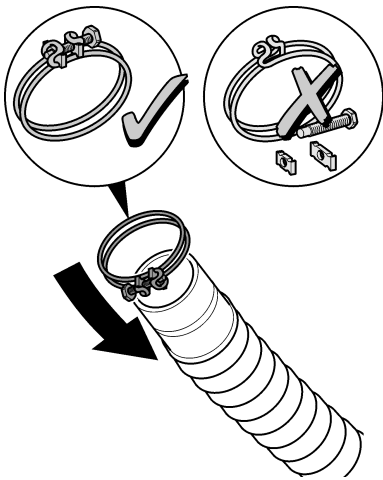
ATTENTION

Do not bend or pull the water drainage hose.

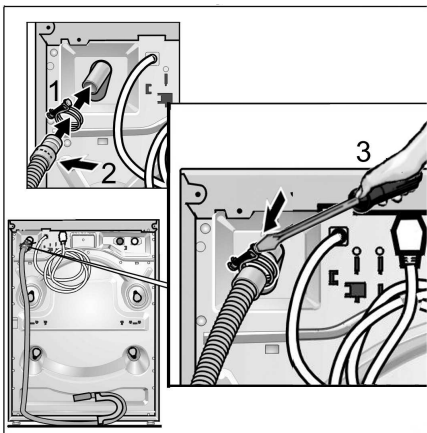
Height difference between the installation location of the washing machine and the drainage point:
Maximum 8 feet / 244 cm,
minimum 2 feet / 60 cm.

Connecting the water drainage hose

- ❑ Do not remove the screw from the clamp assembly. Loosen the screw only enough so that the clamp will slide freely onto the water drain hose.

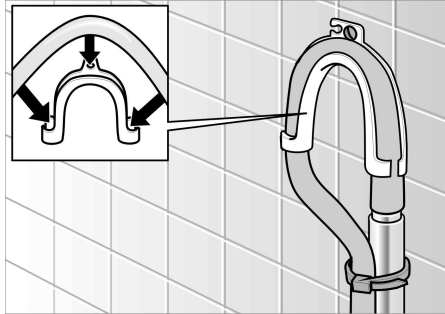


1. Place the hose clamp over the end of the drain hose before attaching the drain hose to the appliance.



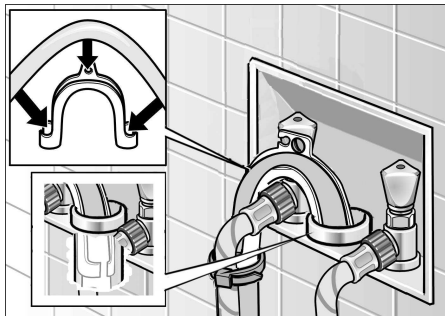
2. Attach the drain hose to the drain hose connection on the back of the appliance; position the hose clamp approximately 3/8 inch (9 mm) from the end of the hose.
3. Tighten the clamp with a screwdriver

Standpipe Installation



- ❑ Use the elbow. Attach the elbow to the end of the hose and insert end of hose into standpipe.
- ❑ Use a strap or cable tie to hold hose in place.

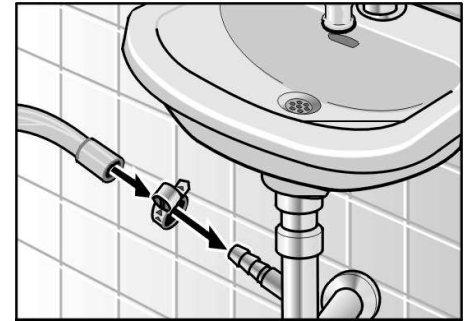
In-Wall Installation



- ❑ Use the elbow. Attach the elbow to the end of the hose and insert the end of the hose into the wall drain.
- ❑ The hose and elbow should extend into the open drain pipe as far as the elbow allows when seated as shown in the above picture.

- ❑ Use a strap or cable tie to hold hose in place.

Drainage into a siphon

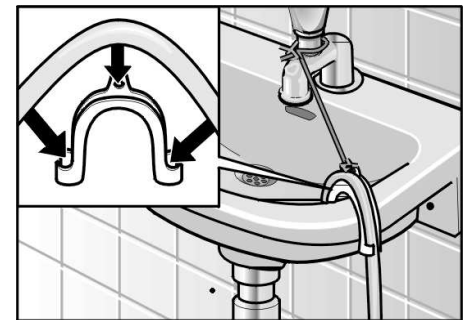


- ❑ Secure the connection point with a hose clip (not included in factory-supplied equipment).

Drainage into a sink

ATTENTION

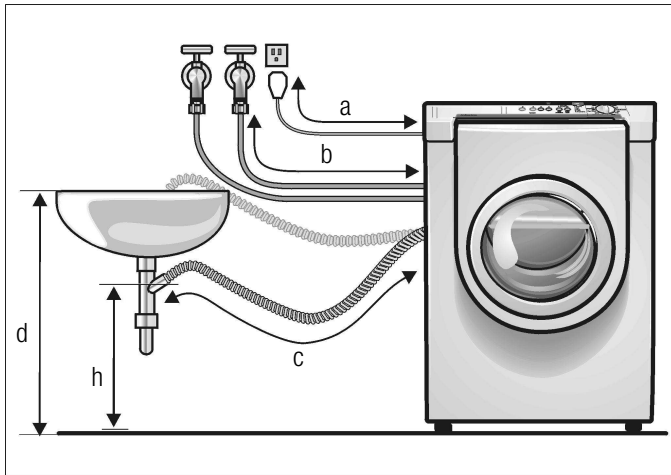
Ensure that the plug is not in the drain hole.



- ❑ Attach water drain hose securely to sink.
- ❑ Use a strap or cable tie to hold hose in place.
- ❑ When the water is being drained, check that the water flow out of the sink is adequate.

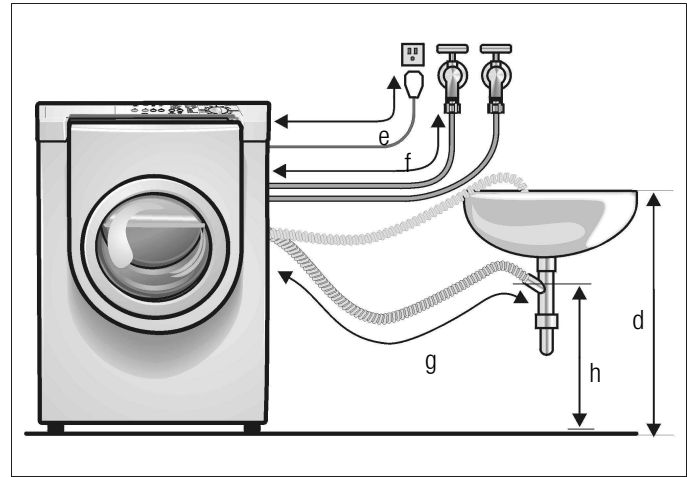
Hose and cable lengths

Left-hand connection



a = 55.0 in. / 140 cm (approx.)
 b = 51.0 in. / 130 cm (approx.)
 c = 33.5 in. / 85 cm (approx.)
 d = 39.0 in. / 100 cm (max.)

Right-hand connection



e = 69.0 in. / 175 cm (approx.)
 f = 34.6 in. / 88 cm (approx.)
 g = 55.0 in. / 140 cm (approx.)
 h = 24.0 in. / 60 cm (approx.)
 h = minimum drain point height

Other hoses

Available from appliance dealers:
 – Extended supply hose
 (approx. 96.1 in. / 2.44 m).

Electrical connection

GROUNDING INSTRUCTIONS

This appliance must be grounded. In the event of a malfunction or breakdown, grounding will reduce the risk of electrical shock by providing a path of least resistance for the electric current.

This appliance features a cord with an equipment-grounding conductor and a grounding plug. The plug must be plugged into an appropriate outlet which has been properly installed and grounded in accordance with all local regulations and ordinances.

on the washing machine (rating plate, see page 25).

Connection specifications as well as the required fuses are stipulated on the appliance rating plate.

Volts	Hertz	Amperes	Watts
110–120	60	15	1350 (max.)

Make sure that:

- the power plug fits into the socket.
- the wire size is sufficient.
- the grounding system is properly installed.

The power cord may be replaced by an electrician only.

Replacement power cords are available from Customer Service.

⚠ WARNING ⚠

Improper connection of the equipment grounding conductor may result in electric shock. Have the appliance checked by a qualified electrician or service technician if you are in doubt as to whether the washer has been properly grounded.

Do not modify the plug provided with the appliance – if it will not fit in the outlet, have a proper outlet installed by a qualified electrician.

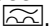
⚠ WARNING ⚠

The washing machine must only be connected to an individual branch circuit via a socket which has been properly installed and grounded.

The household electrical voltage must correspond to the voltage specification

⚠ WARNING ⚠

To reduce the risk of fire or electrical shock, DO NOT use an extension cord or an adapter to connect the washing machine to the power supply.

If a ground fault circuit breaker is to be used, only use types marked with the following symbol: .

Only this symbol can guarantee compliance with all current regulations. Do not insert/remove the power plug with wet or damp hands.

Touch the plug only when removing the plug from the socket.

Leveling Procedure

1. The appliance should now be in its final position, ready for leveling (moving the appliance after leveling can make it unlevel again.)

Each foot of the appliance or pedestal must be placed firmly on the floor to prevent the washing machine from wobbling.

Start with all four feet screwed in as far as possible, then back individual feet out as necessary to level the washer.

2. Use the bubble level to level the washer front to back and side to side (be sure the level fits between the edges of the washer, and is not elevated at more end on a ridge on the surface of the washer.)
3. Adjust the leveling of the washer with the four height-adjustable feet. Level the washer as low as possible to help reduce vibration.

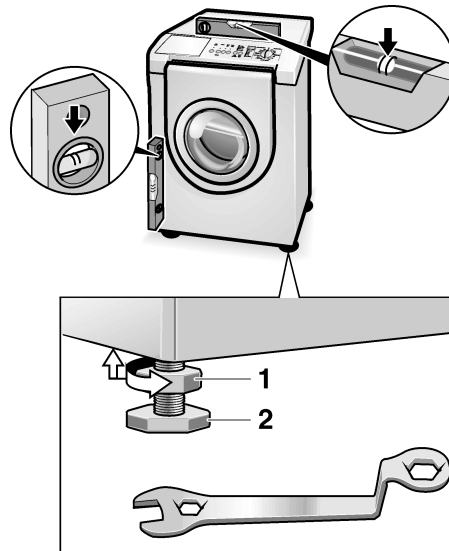
CAUTION

TO AVOID RISK OF INJURIES—Take care when using the wrench.

- ❑ Loosen the lock nut **1** (1 on the illustration) by turning it clockwise. Use the wrench provided (or a 5/8" – 16mm open end wrench). When you turn the lock nut, the foot (**2** on the illustration) it is locked against will turn with it. This will extend the height of the foot.
- ❑ Turning the foot out (clockwise) will raise the corner of the washer, turning the foot in (counter-clockwise) will lower the corner of the washer. When the corner of the washer is satisfactorily raised or lowered, lock the height-adjustable feet in place by turning the lock nut counter-clockwise until it locks tightly against the washer housing.

i It may be necessary to hold the washer foot with a pair of pliers to keep it from turning while tightening the lock nut. If the foot does turn, it will change the height of the corner.

- ❑ After making preliminary adjustments, press down on each corner of the washer to make sure the unit does not wobble. If it does wobble, lower the foot on that corner until the foot touches the floor firmly.
- 4. Use a bubble level (24" or less in length) to check the leveling status of the appliance.
 - ❑ Lay the bubble level across the unit worktop to check the level from side to side and from front to back.
 - ❑ A center-located bubble indicates the unit is leveled. Otherwise, repeat the leveling procedure until the unit is leveled. Tip: if the bubble is closer to one end, it indicates the high side of the unit. To level the unit, either lower the higher side or raise the lower side.
 - ❑ After leveling the unit from side to side, then turn the level so that it lays on the worktop from front to back to also check the level in that direction.



5. Fine tune the leveling by placing a small load of laundry in the machine, starting it in spin cycle and then leveling the washer again.

i If the test spin cycle is manually stopped before its completion, then the door may remain locked for 10 seconds.

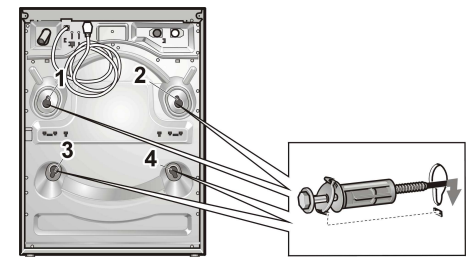
Transport, such as when moving out

Before transporting the washing machine:

- Turn off the water.
- Disconnect the washing machine from the power outlet.
- Dismantle the supply and drainage hoses.
- Install the transport bolts.

i Having transported the appliance and ensured proper installation and connection, allow the **Drain** program to run through before starting the first wash program.

Preparing and inserting the transport bolts

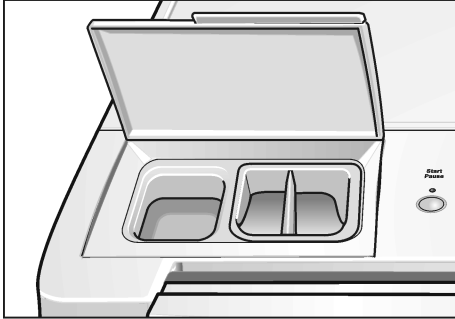


- ❑ Remove the covers.
- ❑ Prepare the transport bolts: Loosen the screw in the sleeve until the end of the screw is level with the end of the sleeve.
- ❑ Insert and tighten all transport bolts. Make sure that the tab on the transportation bolt is inserted in the slot on the washing machine back panel.

OPERATING INSTRUCTION

Your new washer

Filling laundry detergent and/or additives into dispensers



Open the door (colored marking) ...



...and close the door



⚠ CAUTION The access panel located on the bottom right of the washer is for Service Access and is only to be opened by an Authorized or Qualified Service Technician.

Panel

Buttons for additional options

(in addition to the program if required)

Bleach: A bleach cycle will be added to the selected program.

Rinse Plus: Additional rinsing cycle.

Heavy duty: Increased wash time for heavily soiled loads.

Additional options can be combined at any time.

Additional option selected:

Indicator light is lit red.

Switch off additional option:

Press button again. Indicator light turns off.

Display

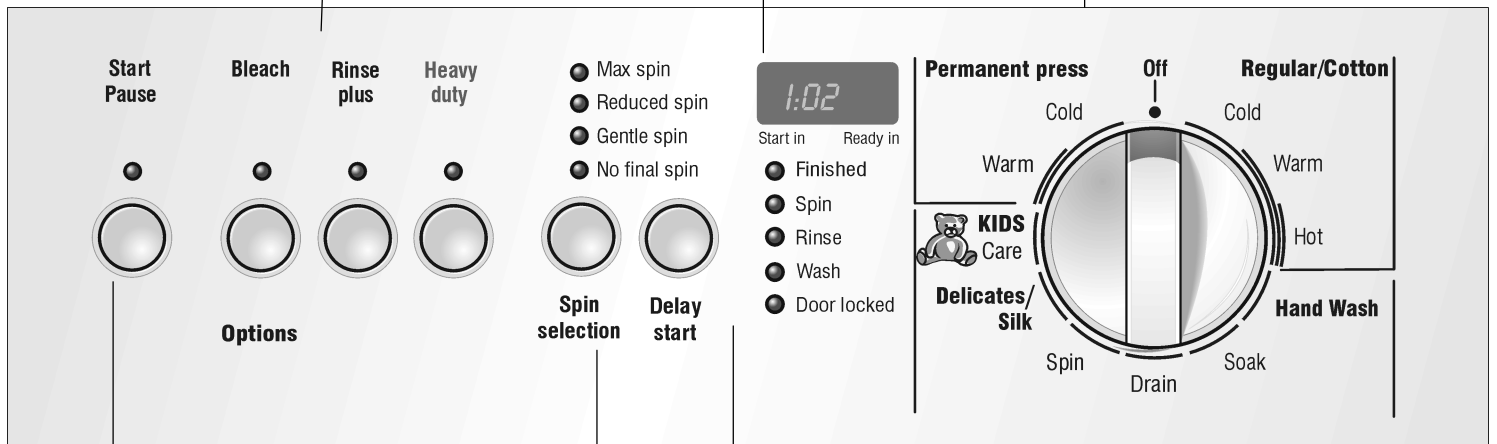
The **Ready in** time is displayed, if a program is selected.

The **Start** time is displayed, if this function is additionally selected.

Program selector

Switches the machine on and off and selects the program. Can be turned in both directions.

The program selector does not turn while the program is running – the program sequence is electronically controlled.



Start/Pause button

Starts or interrupts the washing cycle (program must first be selected).

Indicator light

Indicator light flashes red: Settings can be changed, the wash cycle can be started, door is locked for reasons of safety or program is in "Pause" mode.

Indicator light is lit red: Program is running and "Pause" can be activated.

The indicator light is off: Program is finished or no program selected.

Indicator lights

The **door locked** lights up if a program is selected and the **Start** button is pressed.

The **wash, rinse and spin** lights up if the respective program segment runs.

The **finished** lights up if the program has ended.

Indicator lights flash: Operation error!

Delay Start button

The **Start** time can be delayed by hours up to a maximum of 19 hours (if required).

The display shows the **Delay Start** time.

Spin Selection button

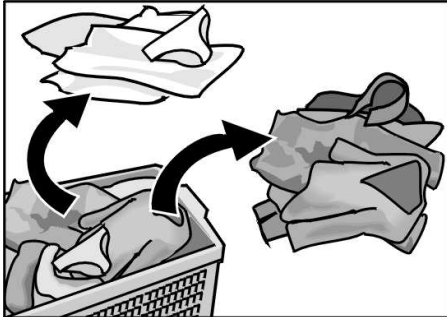
For changing the spin speed (if required). The indicator light of the selected spin speed is lit red.

Summary of instructions

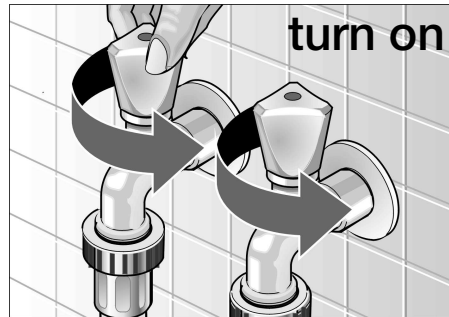
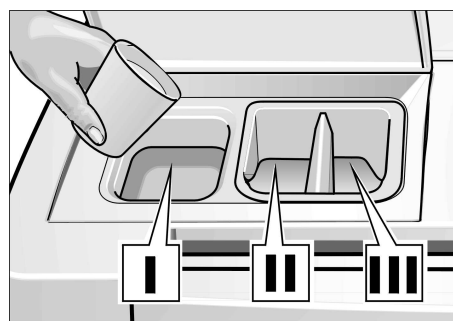
⚠ Warning

Before using your washing machine, read and follow all installation and operating instructions.

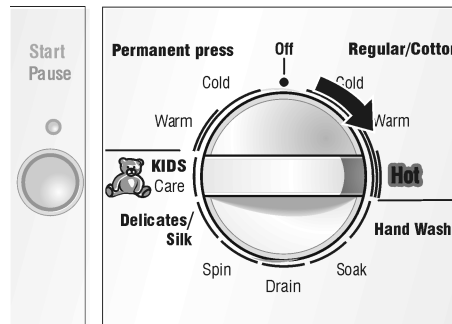
Preparing the laundry



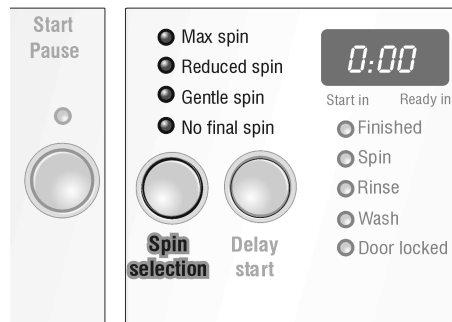
<p>KIDS Care 150 °F 66 °C</p>	<p>hot 125 °C 52 °C</p>	<p>warm 95 °F 35 °C</p>	
	<p>cold 60 °F 15 °C</p>		



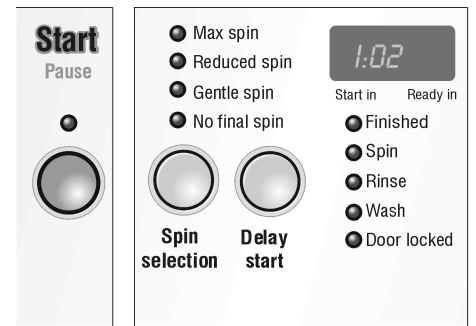
Select a cycle and start the machine



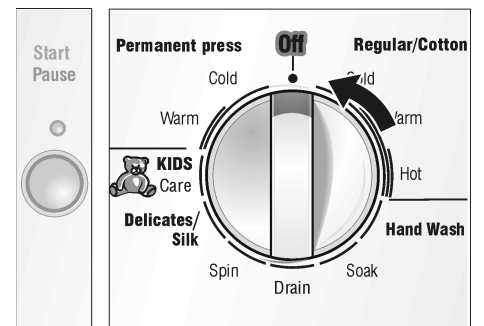
Select desired settings



and start



After washing



Before Using For the First Time

The washing machine must be installed and connected properly (refer to Page 6).

Before using your washing machine for the first time:

- Make sure that the supplied voltage is the same as the voltage shown on the rating plate.
- Check that the water valves for the washing machine have been connected correctly and are open.

Using For the First Time

First washing cycle (without laundry)

Your appliance was tested before leaving the factory. To ensure a fresh wash with your initial load of clothes, run the washer a complete cycle, without clothes, in advance.

- Do not load any laundry.
- Turn on the water tap.
- Open the flap of the detergent dispenser.
- Pour approx. 1 quart (1 liter) of water into the detergent chamber I; see Page 17.
- Pour 1–2 Tbsp. detergent into detergent chamber I.

i Do not use special detergents for delicates (this will cause excessive sudsing).

Close the flap of the detergent dispenser.

Close the door.

Set the program selector to **Regular/Cotton hot**. The **Start/Pause** indicator light flashes red.

Press the **Start/Pause** button. The program starts. The indicator light is on (red).

i The display shows the run time of program.

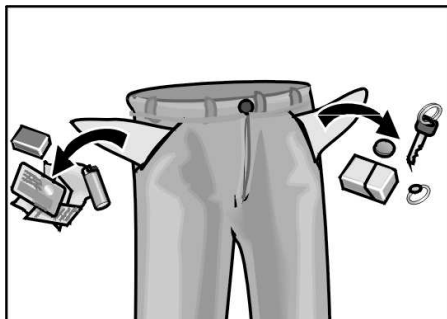
When the display shows "0:00":

- Open the door.
- Turn the program selector to **Off**.

Preparing the laundry

ATTENTION

Loose debris (coins, paper clips, nails and other hard objects) can damage items of clothing as well as parts of the washing machine (e.g. drum).



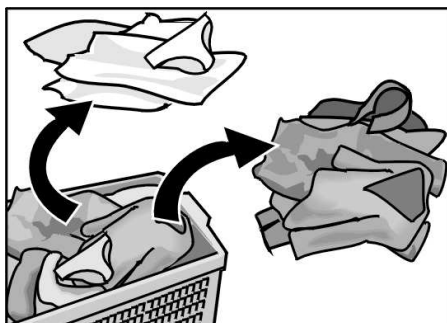
- Empty all pockets.
- Brush off lint and dirt.
- Close zippers, button up duvets and hooks.
- Remove curtain rings or tie them up in a net bag.
- Remove pins, buttons, buckles and other hard objects to avoid scratching the washer interior.
- Remove non-washable trim and ornaments.
- Turn synthetic knitwear inside-out to avoid pilling.
- Treat spots and stains.

To prevent loss or damage to laundry and the machine, the following items should be washed in a mesh laundry bag:

- Baby socks (small items)
- Hosiery
- Belts
- Underwired bras (directly washed in the washer, the wire may come loose during washing and cause damage)

Sorting the laundry

According to color and degree of soiling



ATTENTION

Items of clothing may become discolored. Never wash new multi-colored items together with other items.

White items may become gray. Always wash white and colored items separately.

Degrees of soiling

Slight dirt

No recognizable dirt or staining.

Laundry may have some body odor.

- Light summer clothing.
- T-shirts, shirts and blouses that have been worn for up to one day.
- Bed linen and guest towels that have been used for one day.

Normal dirt

Visible dirt and/or some light recognizable staining.

- T-shirts, shirts and blouses that are very sweaty or have been worn several times.
- Dish towels, hand towels and bed linen that have been used for up to one week.
- Sheer curtains (without smoke staining) that have not been washed for up to 6 months.

Intensive dirt

Dirt and/or staining recognizable.

- Kitchen hand towels that have been used for up to one week.
- Cloth napkins.
- Bibs.
- Children's outer clothing or sportswear with grass and soil stains.
- Working clothes such as overalls or baker's and butcher's coats.

Typical stains

- Body oils, cooking oils/grease, sauces, mineral oil, wax (containing fat/oil).
- Tea, coffee, red wine, fruit, vegetables.
- Blood, egg, milk, starch (containing protein/ carbohydrate).
- Soot, soil, sand (pigments), red clay.

Removing stains

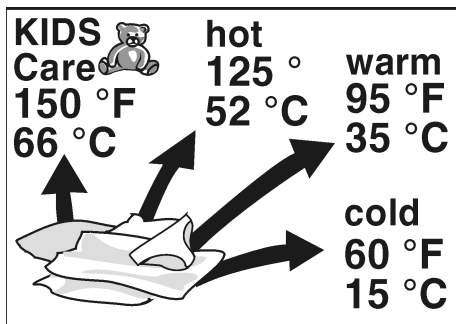
If possible, pretreat stains while they are still fresh.

First, dab soapy water onto the stain. Do not rub.

Subsequently, wash the items of clothing using the appropriate program.

Occasionally, several wash cycles may be required in order to remove persistent, dried on stains.

Sorting laundry according to care label specifications



See also temperatures settings page 17.

Fabric Types

- Machine Wash, Cottons
- Machine Wash, Permanent Press
- Machine Wash, Delicates
- Hand Wash



Temperatures

- Cold
- Warm
- Hot



Do not wash clothes in washing machine if the care label says "Do Not Wash" or the DO NOT WASH symbol is on the care label.

Loading the laundry

⚠ WARNING ⚠

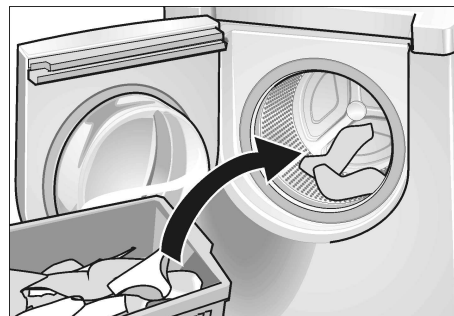
TO AVOID EXPLOSION HAZARD! Items of clothing that have been pretreated with solvent-based cleaning agents, e.g. stain remover and dry cleaning solvents, represent an explosion hazard once loaded into the washing machine. Therefore, these items must first be rinsed thoroughly by hand.

ATTENTION

Loose debris in the washing machine drum can damage the laundry. Before loading the laundry, check that there is no debris in the drum.



□ Open the door.



□ Unfold the sorted items of clothing and place them loosely into the drum. Mix up large and small items. Items of varying size will distribute better during the spin cycle.

i Do not exceed the maximum load. Overloading will cause poor wash results and encourage wrinkling.

For best results it is recommended to load the drum depending on the fabric type, see special programs Page 17 for information on bulky items, e.g. comforters :

Full Load

Cotton and Linens

½ Load

Permanent Press, Synthetic Blends and Knitwear

⅓ Load

Wool, Delicates, Silk



i Close the door. Do not trap any items of clothing between the door and rubber seal. Door should be able to close easily, not by force.

Laundry Detergents and Additives

Dispensing the correct amount of detergent

⚠ WARNING ⚠

TO AVOID RISK OF POISONING! Keep detergents and additives out of the reach of children.

Measure out the detergent (powder or liquid) according to:

- The water hardness. This information can be obtained from your local water authority. Soft water requires less detergent.
- The amount of laundry.
- The degree of soiling. Information on soiling can be found on Page 15.
- The specifications of the detergent manufacturer. Measuring the correct amount of detergent relieves the strain on the environment and ensures optimum washing results.

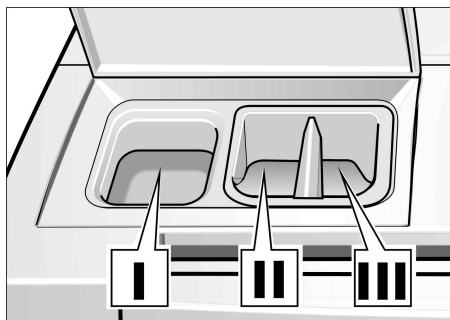
Too little detergent:

The laundry is not cleaned properly and will eventually become gray and stiff. Grayish brown spots (fat globules) may appear on the laundry. The heater may calcify.

Too much detergent:

Not environmentally friendly, excessive suds reduce wash agitation producing poor washing and rinsing results or may prevent proper spinning.

√ Filling laundry detergent and/or additives



- ❑ Open the flap of the detergent dispenser.
- ❑ Add the detergent and/or additive.

Dispenser I:

Dispenser for detergent, stain remover.

i We recommend HE detergents because they are particularly designed to deliver optimum performance from your front-loading washer. Not using HE detergent could cause problems such as oversudsing, extended cycle periods, or a decrease in wash performance.

Dispenser II:

Cleaning additives, e.g. fabric softener, fabric conditioner. Do not fill over edge of max line!

Dispenser III:

Dispenser for liquid bleach (chlorine bleach, color safe bleach).

Do not overfill!

i Concentrated or thick fabric softener, conditioner and powder-bleach must be diluted with a little water before being poured into the dispenser (prevents overflow due to obstruction).

i Close the flap of the detergent dispenser. Please ensure the lid is entirely closed.

Decolorizing

ATTENTION

Dyes may contain sulphur or chlorine. These substances may cause parts of the washing machine to corrode. Do not dye items of laundry in the washing machine.

Programs and Functions

Cycle time will vary depending on cycle selected, temperature and pressure of incoming water, water hardness, size of load, type of fabrics and distance of unit from the drain.

The maximum spin speeds of the programs are dependent upon the cycle. For adjusting the spin speed, see page 18.

Basic programs

Regular/Cotton Hot

Normally and/or heavily soiled colorfast fabrics. Sturdy, hard wearing items made of cotton or linen such as work clothes and underwear.

Regular/Cotton Warm

Lightly and/or normally soiled non-colorfast fabric. Sturdy, hard wearing items made of cotton or linen such as jeans, T-shirts and sweatshirts.

Regular/Cotton Cold

Lightly soiled non-colorfast fabric. Sturdy, hard wearing items made of cotton or linen (colors that may bleed or fade).

Permanent Press Warm

Items consisting of lightly and/or normally soiled non-colorfast cotton, permanent press, linen, synthetic or blended fabrics and outer garments. Clothes requiring a special tumble sequence and spin speed to minimize creasing, such as blouses, shirts and overalls.

Permanent Press Cold

Items consisting of lightly and/or normally soiled non-colorfast cotton, permanent press, linen, synthetic or blended fabrics and outer garments. Clothes requiring a special tumble sequence and spin speed to minimize creasing.

Special programs

Delicates/Silks

Delicates settings are intended for use with delicate easy care items made of cotton, satin, synthetic or blended fabrics and curtains, dresses, skirts and blouses.


Bulky items, e.g. comforters, can be washed with this cycle because of gentle action and additional rinse (automatically added).

No spinning between rinse cycles.

Hand Wash

Hand Wash settings are intended for very delicate easy care items that usually require hand washing.

These cycles have been specifically designed to provide extremely gentle treatment of fabrics.

Silk or other items marked with the "Hand Wash" symbol  on the care label can be safely washed with this cycle.

KIDS Care

For stained, heavily soiled, and hard-wearing fabrics, like children's jeans, sheets, t-shirts.

i Do not wash new multicolored laundry with other laundry together.

Spin

Spin cycle for spinning wet, hand washed laundry.

Water is drained before and during the spin cycle.

Soak

A cycle for pre-treatment of heavily stained items. The soak cycle lasts 2 hours and ends with a short spin cycle.

Drain

Can be used to drain water without a spin cycle.

Temperature Settings

The following wash temperatures are available:

KIDS Care: 150 °F (66 °C)

hot: 125 °F (52 °C)

warm: 95 °F (35 °C)

cold: 60 °F (15 °C)

Maximum spin speeds of the programs

The indicator light "max spin speed" is lit red.

Revolutions per minute	Program
1000	Regular/Cotton
600	Permanent Press
1000	KIDS Care
600	Delicates
1000	Spin

Reduced spin

The indicator light "reduced spin" is lit red.

Only if you have selected a reduced spin speed for gentle treatment of your laundry.

Gentle spin speeds

The indicator light "Gentle spin speed" is lit red.

Revolutions per minute	Program
400	Hand Wash
400	Soak

No final spin

The indicator light “no final spin” is lit red.

For delicate laundry, the water remains in the machine after the last rinse.

Use this setting to avoid creasing if the clothing cannot be taken out of the washing machine immediately upon completion of the cycle.

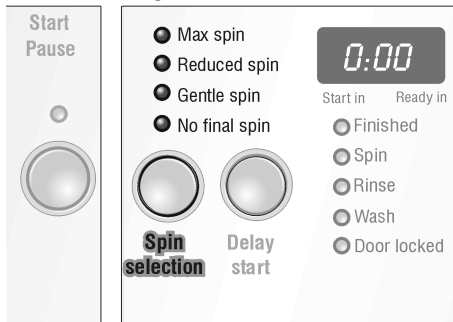
ATTENTION

Before unloading you must drain the remaining water by selecting **Drain** or **Spin** and starting the machine.

Modifiers

Spin Selection

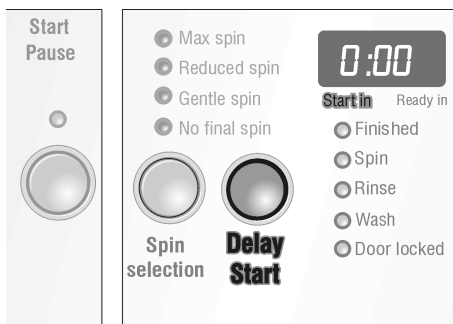
Preset cycle setting of max. spin speed can be changed.



Press this button until the desired setting lights up.

Delay Start

Before starting a program you can modify by when the cycle should be started.



Press **Delay Start** button. The display shows the start time **0:00**.

The time can be delayed up to a maximum of 19 hours (with 1 hour increments) by pressing the **Delay Start** button again.

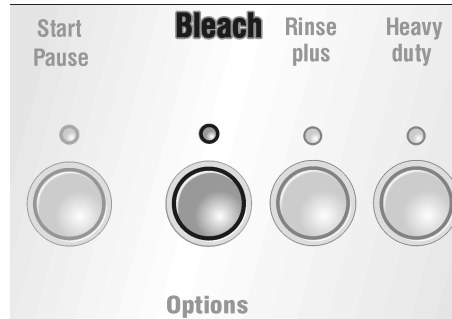
The **Start** time begins running immediately after pushing the **Start/Pause** button. This is indicated by the points between the digits flashing.

i Changes to the **Start** time are possible at any time, press the **Delay Start** button until the new time appears.

i If the program is changed or if the program is interrupted, the preselected **Start** time is also interrupted. The **Ready in** time of the program is displayed. The **Start** time must be reselected.

Option buttons

Bleach

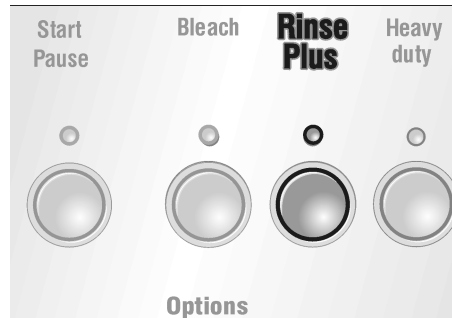


When this button is pressed, a bleach cycle will be added to the selected cycle.

The washing cycle time is extended accordingly.

The Bleach option is not available if the Delicate, Hand wash or Wool cycle is selected.

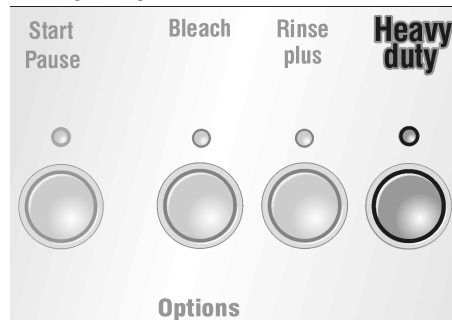
Rinse Plus



When this button is pressed, an additional rinsing cycle will be added to the selected cycle.

Washing cycle time is extended accordingly.

Heavy duty



The Heavy duty option is recommended for use **ONLY** for heavily soiled clothes that require the removal of tough, ground-in protein-based stains. It is **NOT** recommended to use the Heavy duty

option with other cycles when laundering normal or lightly soiled clothes.

Washing time is extended.

Only cold water is introduced to the drum. The washing machine then heats the water to the selected wash temperature. By raising the temperature from cold up to the set temperature all components of the detergent are activated in stages for best stain removal and cleaning results.

Acoustic Signal

An acoustic signal indicates program statuses (e.g. start/end of program and operating faults.)

To activate the signal:

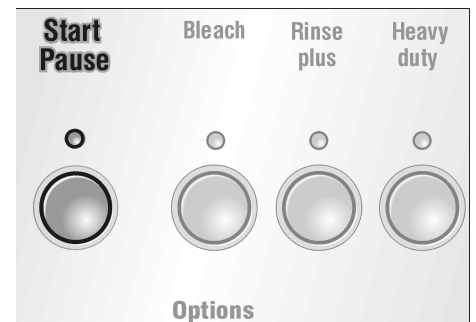
- Select a program.
- Press two of the Option Buttons (e.g. Bleach and Rinse Plus) until a long signal is emitted.

To deactivate the signal:

- Select a program.
- Press two of the Option Buttons and hold until a short signal is emitted.

i Do not activate/desactivate the acoustic signal during a cycle.

Indicator light above the “Start/Pause” button



The indicator light conveys the following information:

- Indicator light **flashing red**: Program can be started.
- Adding laundry is possible.
- Indicator light is lit **red**. Program is running.
- Adding laundry is not possible because the door is locked for safety reasons.

Laundry may be added after pressing the **Start/Pause** button.

Special features

Auto Load adjust

“Auto Load adjust” adjusts the water and energy consumption for each program and determines the amount of laundry and type of fabrics.

This process is built into your machine and occurs automatically.

This control reduces water and energy consumption when washing small loads.

Unbalanced load detection system

The automatic unbalanced load detection system spins the laundry several times to ensure even distribution.

If the wash load is unevenly distributed, it will not spin (for safety reasons) or the final spin speed is reduced.

Displayed Time

Due to these and other characteristics of the controls the actual cycle time will vary.

When a program has been selected, the expected program duration is displayed.

The following will effect the displayed time:

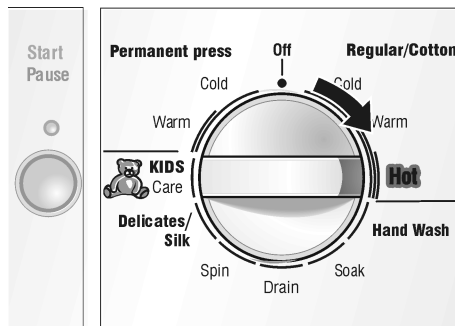
- Load size
- Repeated spin attempts to evenly distributed load
- Additional rinse cycles if excessive foam occurs
- Water pressure is too low
- Selection of additional options, e.g. “Rinse plus”

i You may notice these effects (more or less time) changes the displayed time when they occur in the cycle. If no options are selected and these effects do not occur, the time indicated will count down until the end of the cycle.

Washing



- Turn on the water taps.

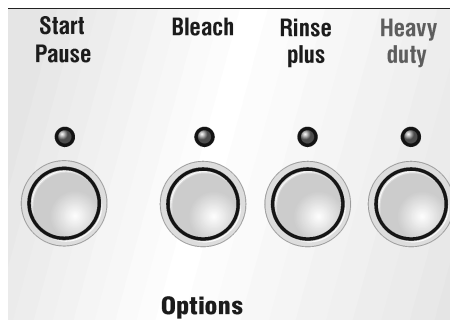


- Turn the program selector to the desired program.



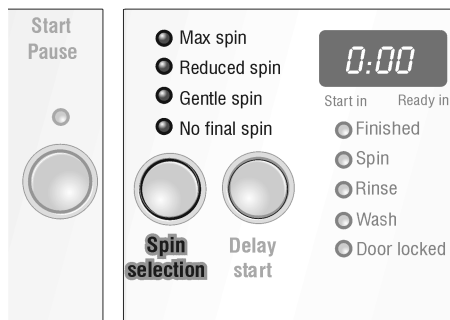
- Load the washing machine and close the door.

The **Start/Pause** indicator light flashes (red).

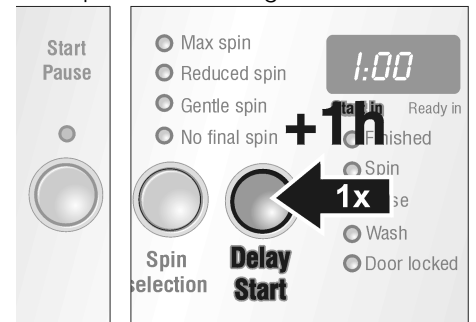


- If necessary, press the button(s) for additional option(s). The indicator light of the selected button is lit (red).

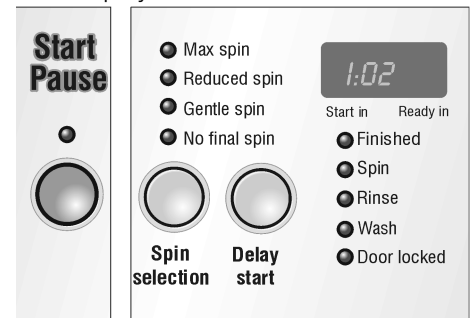
i If an incorrect combination was inadvertently selected, the indicator light of the selected button is turned off.



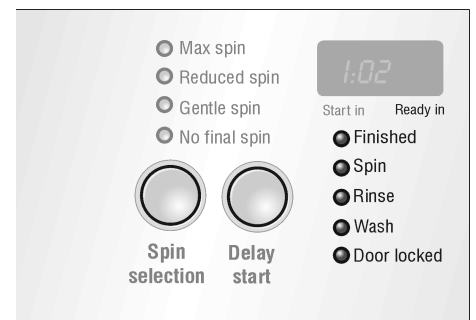
- If necessary, change the spin speed with the **Spin selection** button until the the desired spin speed indicator light is lit.



- If necessary, change the **Start** time. Press the **Delay Start** button until the desired **Start** time is displayed.



- Press the **Start/Pause** button. The indicator light is lit (red). Display shows the run time of the selected program. The program starts.



i Each program step is indicated by the indicator lights under the display.

During Washing

- i** Due to the highly engineered suspension of this appliance, it may experience a shudder or shake when progressing from lower to higher spin speeds. This behavior is normal due to shifting of the drum system and should not cause concern.

Changing a program

- ❑ Turn the program selector to **Off**.
- ❑ Turn the program selector to a newly selected program.
The **Start/Pause** indicator light flashes.
- ❑ If required, change the settings; see from Page 18.
- ❑ Press the **Start/Pause** button.
The program starts.
The indicator light is lit.

Add a garment / Interrupting the program

You can put laundry in the drum after washing begins, take laundry out of the drum early or interrupt the program at any time.

- i** It is not recommended to add laundry after the washing phase is complete.
- i** You can add or reduce laundry as long as the **Start/Pause** indicator light flashes (red).
- ❑ Press the **Start/Pause** button.
The **Start/Pause** indicator light flashes.
- ❑ Open the door.
- ❑ Place/remove the laundry.
- ❑ Close the door.
- ❑ Press the **Start/Pause** button.
The program continues.
The indicator light is lit (red).

- i** When the **Start/Pause** indicator light is lit (red), the program can be interrupted, however the door cannot be opened for safety reasons (water level, temperature or speed too high).

- i** If the spin speed is too high, the **Start/Pause** indicator light is lit (red). Laundry can be added in "Pause" mode when the drum is at a standstill.

Canceling an active program

If you would like to terminate a program and remove the laundry:

- i** If a program is interrupted at a high temperature, leave the laundry to cool down until the glass is cool to touch.
- ❑ Turn the program selector to **Off**.
- ❑ Turn the program selector to **Drain** or **Spin**.
- i** For **Spin**, select the desired spin speed (but not **no final spin**).
- ❑ Press the **Start/Pause** button.
- ❑ Wait until this program ends.
- ❑ Open the door.
- ❑ Unload the laundry.
- i** If a program is interrupted at a high temperature, the door may remain locked until the appliance has cooled down.
- i** If the program is terminated by switching off the appliance, the door may remain locked.

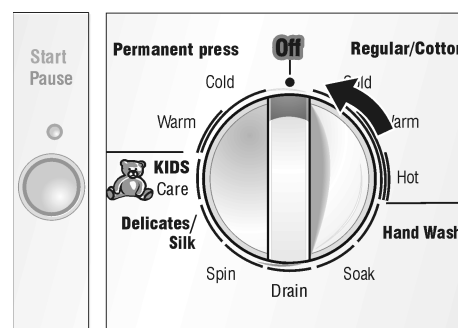
After Washing

The **Start/Pause** indicator light goes out.

0:00 appears in the display.



- ❑ Open the door.



- ❑ Turn the program selector to **Off**.
- ❑ Close the taps.
- ❑ Remove the laundry.

If "No final spin" preselected

The **Start/Pause** indicator light flashes.

- ❑ Turn the program selector to **Drain**. The **Start/Pause** indicator light flashes.
- ❑ Press the **Start/Pause** button.
The indicator light is lit.
- ❑ When this program has ended, open the door.
- ❑ Turn the program selector to **Off**.
- ❑ Close the taps.
- ❑ Remove the laundry.

- i** After washing, leave the loading door ajar to allow the inside of the washing machine to dry.

Cleaning and Care

Cleaning the washer

⚠ WARNING ⚠

TO AVOID RISK OF ELECTRIC SHOCK!
Always disconnect the appliance from the power outlet before cleaning.
Never clean the washing machine with a pressure washer.

⚠ WARNING ⚠

TO AVOID RISK OF EXPLOSION!
Never use flammable solvents to clean the appliance.

ATTENTION

Occasionally check for any foreign objects (e. g. coins, paper clips) between the drum and rubber seal
–TO AVOID Risk of rust!

Cleaning the appliance housing and control panel

As required:

- ❑ Use hot soapy water or a mild, non-abrasive cleaning agent.
- ❑ Rub dry with a soft towel.

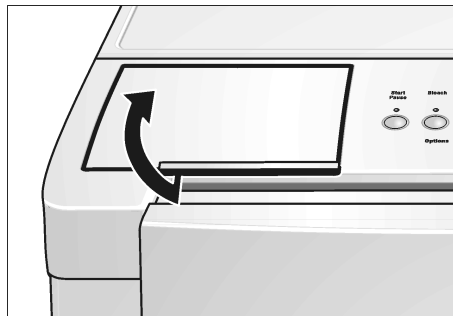
Cleaning the drum

If rust spots have formed due to left-over debris (e.g. coins, paper clips, nails):

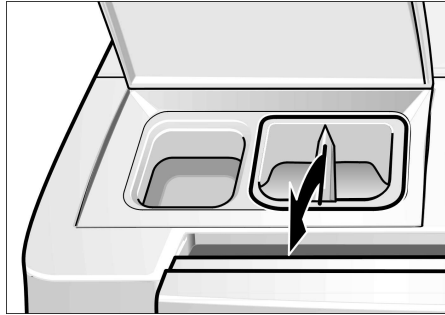
- ❑ Use a chlorine-free cleaning agent. Follow the manufacturer's instructions. Never use steel wool.

Cleaning the detergent dispenser

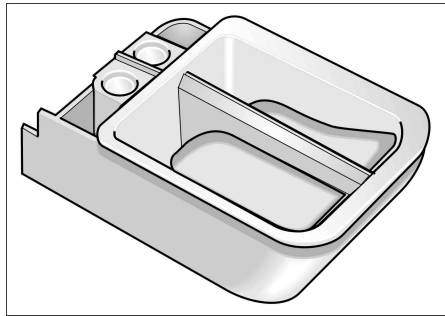
If residual detergents or additives have accumulated or if softener/bleach are not fully rinsed out:



- ❑ Open the flap of the detergent dispenser.



- ❑ Pull out the softener/bleach compartment in a vertical direction and remove.
- ❑ Clean the detergent dispenser insert under running water. This can be disassembled into two parts!



- ❑ Insert the detergent dispenser until it clicks into place.

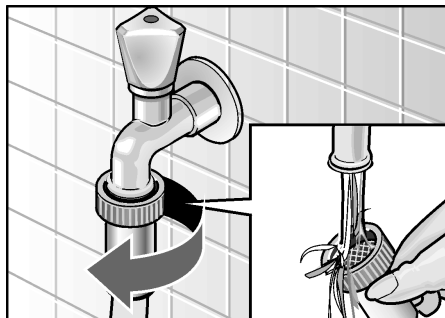
Cleaning water inlet strainers

This is necessary if very little or no water flows into the washing machine. First release the water pressure in the supply hoses:

- ❑ Turn off the water taps.
- ❑ Turn the program selector to any program (except **Spin** or **Drain**).
- ❑ Press **Start/Pause** button and wait approximately one minute.
- ❑ Turn the program selector to **Off**.

Cleaning the strainer(s) on the water tap

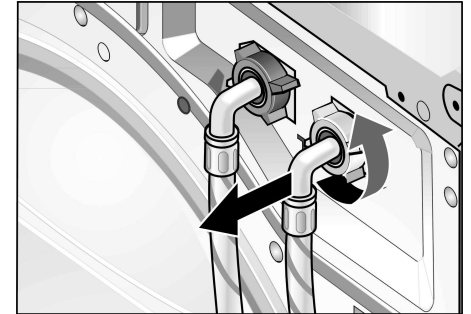
In both the hot and cold water tap:



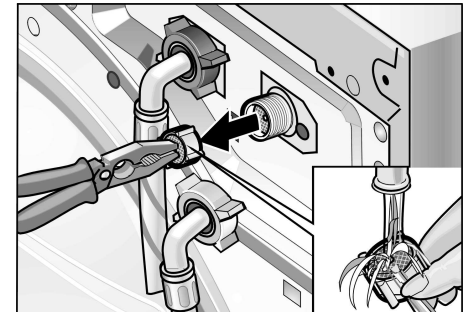
- ❑ Disconnect the hose from the water tap.
- ❑ Rinse the strainer under flowing water.
- ❑ Reconnect the hose.

Cleaning the strainers on the washing machine

On both the hot and cold water tap:



- ❑ Disconnect the hose from the back of the washing machine.



- ❑ Pull out the strainer and rinse under running water.
- ❑ Insert the strainer and reconnect the hose.
- ❑ Turn on the water taps and check that there are no leaks. If water is leaking, check that the strainer is properly attached.
- ❑ Turn off the water taps.

Cleaning Tips

It is recommended that a small amount of household bleach be run through the washer every 3 months.

With no laundry in the machine, run the machine as follows:

- Pour 1 cup of bleach in Detergent compartment of the dispenser
- Run a Regular/Cotton Hot program

Descaling the washing machine

ATTENTION

Descaling agents contain acids which may attack parts of the washing machine and discolor the laundry.

Provided that you use the correct type of detergent, it is not necessary to descale the washing machine.

If white spots, lime or mineral deposits appear on the interior of the washing machine drum you can use a descaling agent to remove them.

However, if the appliance has to be descaled, please follow the instructions provided by the descaling agent manufacturer.

Troubleshooting of Minor Faults

⚠ **WARNING** ⚠

TO AVOID RISK OF ELECTRIC SHOCK!

Repairs should only be carried out by an authorized technician.

If repairs are necessary, and you cannot eliminate the fault yourself with the aid of the following table:

- Turn the program selector to **Off**.
- Disconnect the washing machine from the power outlet.
- Turn off the water taps.
- Call Customer Service (refer to Page 25).

Fault	Possible cause	Action
The door cannot be opened.	“No final spin” selected.	Select Drain or Spin .
	Power failure.	An interrupted program will be resumed when power is restored. If the laundry is to be removed during a power failure, call Customer Service (refer to Page 25).
	Program is running and/or the door is locked for safety reasons.	Wait until the program ends; see Page 20.
	Plug is loose or not inserted.	Eliminate the cause.
Door cannot be opened, even though the appliance has been switched off and on again.	Program selector turned to Off before end of program.	Select a program.
	For safety reasons the door has been locked because the water level, temperature or speed is too high.	See “Add a garment/Interrupting the program”, Page 20.
Control lights do not light up.	A fuse has blown.	Replace the fuse of the individual circuit.
	Power failure.	Call Customer Service if this fault recurs. An interrupted program will be resumed when power is restored. If the laundry is to be removed during a power failure, call Customer Service (refer to Page 25).
Program does not start. Start/Pause indicator light flashes.	Start/Pause button not pressed.	Press the Start/Pause button.
Program does not start. Indicator light “ end ” is lit and display is flashing “ E:01 ”	Door not closed properly.	Check whether laundry is trapped in door. Close the door (a click should be heard). Program continues.
Spin speed cannot be selected.	Spinning is already in progress; during spin cycle the speed cannot be changed.	Select speed before spinning.
	Program selector is set to drain ; spin cycle is not possible with this program.	If required, select another program.
Water does not enter the machine or detergent is not washed away. Indicator light “ spin ” is lit and display is flashing “ E:02 ” or “ E:03 ”.	Water tap(s) not turned on.	Turn on water tap(s) and press Start/Pause button. Program continues.
	Supply hose kinked or pinched.	Eliminate the cause.
	Strainers in supply hose clogged.	Clean the water inlet strainers; see Page 21.
	Water pressure too low.	Eliminate the cause.
Water cannot be seen in drum.	This is not a fault.	
	The water level is below the visible part of the drum.	
Indicator light “rinse” is lit and display is flashing “ E:04 ” with no water remaining in tub.	Suds or pump is blocked.	Use less detergent for future wash loads. Detergents specifically designed for you High Efficiency washer produce fewer suds and will include the letters “HE” on the packaging. Clean the water drainage pipe and/or drain hose. Turn the program selector to “ off ” and restart Drain program.
Water is flowing out from underneath the machine.	The thread of the supply hose is not tight.	Tighten the thread.
	Leak in the drain hose.	Replace the drain hose.

Fault	Possible cause	Action
Suds coming out of the detergent dispenser.	Too much soap or non-HE soap used, pump could not remove suds.	Mix 1 tablespoon of fabric softener with 1 pt (½ litre) of water and pour into detergent dispenser III . Use less detergent for future wash loads. Detergents specifically designed for you High Efficiency washer produce fewer suds and will include the letters “HE” on the packaging.
Repeated spinning.	This is not a fault. The imbalance compensation system is attempting to balance the load through repeated spins.	Always load the drum with large and small items together.
The laundry was not spun.	Large items of clothing have become entangled and could not be distributed evenly in the drum. For safety reasons the high-speed spin cycle was automatically suppressed.	Always load the drum with large and small items together.
Program duration extended.	This is not a fault. The suds detection feature has activated an additional rinsing cycle to reduce the amount of suds. This is not a fault. The imbalance compensation system is attempting to balance the load through repeated spins.	Add a more appropriate amount of detergent. Always load the drum with large and small items together.
Unsatisfactory washing result.	The degree of soiling was higher than estimated. Not enough detergent.	Select suitable program or Heavy duty as an additional option. Add detergent according to the manufacturer’s specifications.
Detergent residue on the laundry.	Some phosphate-free detergents contain water-insoluble residues that may appear as light spots on the laundry.	Brush off spots when laundry is dry.
Gray residue on the laundry.	Dirt accumulation from ointments, fats or oils.	Add the maximum amount of detergent and select the highest permissible temperature.
System shakes or shudders when passing from lower to higher speed spinning.	Drum system suspension can shift during speed up, this is not a failure.	Mix small and large laundry pieces in load to minimize this effect.

If the fault cannot be eliminated with the aid of the above table, switch the appliance off, wait 5 seconds, switch the appliance on again, select and start the program.

If the fault continues, call customer service; see Page 25.

Customer Service

The washing machine requires no special care other than the care and cleaning noted previously. If you are having a problem with your washing machine, please refer to page 23 before calling for service.

If service becomes necessary, contact your dealer or installer or an authorized service center. Do not attempt to repair the appliance yourself. Any work performed by unauthorized personnel may void the warranty.

If you are having a problem with your washing machine and are not pleased with the service you have received:

- ❑ First, please contact your installer or the Authorized Service Contractor in your area and explain to them why you are not satisfied. This will usually correct the problem.
- ❑ If after working with your installer or service technician the problem still has not been resolved to your satisfaction, please let us know either by writing to us at:

BSH Home Appliances
5551 Mc Fadden Ave.
Huntington Beach, CA 92649

or calling us:
1-800-944-2904

If writing or calling, please provide the following information:

- Model Number
- Serial Number
- Date of Original Purchase
- Date Problem occurred
- Explanation of Problem

If writing, please also include a daytime telephone number and a copy of the sales invoice.

You will find the model number and serial number on the rating plate located at the housing visible with open door.



STATEMENT OF LIMITED PRODUCT WARRANTY

What this Warranty covers & Who it Applies to:

The limited warranty provided by BSH Home Appliances ("BOSCH") in this Statement of limited product Warranty applies only to the Bosch 300 Series washer ("Bosch") sold to you, the first using purchaser, provided that the Product was purchased: (1) for your normal, household (non-commercial) use, and has in fact at all times only been used for normal household purposes; (2) new at retail (not a display, "as is", or previously returned model), and not for resale, or commercial use; and (3) within the United States or Canada, and has at all times remained within the country of original purchase. The warranties stated herein apply only to the first purchaser of the Product and are not transferable.

i Please make sure to return your registration card: while not necessary to effectuate warranty coverage, it is the best way for Bosch to notify you in the unlikely event of a safety notice or product recall.

How Long the Warranty Lasts:

Bosch warrants that the Product is free from defects in materials and workmanship for a period of three hundred sixty-five (365) days from the date of purchase. The foregoing timeline begins upon the date of purchase, and shall not be stalled, tolled, extended, or suspended, for any reason whatsoever.

Repair/Replace as Your Exclusive Remedy:

During this warranty period, Bosch or one of its authorized service providers will repair your Product without charge to you (subject to certain limitations stated herein) if your Product proves to have been manufactured with a defect in materials or workmanship. If reasonable attempts to repair the Product have been made without success, then Bosch will replace your Product (upgrade models may be available to you, in Bosch's sole discretion, for an additional charge). All removed parts and components shall become the property of Bosch at its sole option. All replaced and/or repaired parts shall assume the identity of the original part for purposes of this warranty and this warranty shall not be extended with respect to such parts. Bosch's sole liability and responsibility hereunder is to repair manufacturer-defective Product only, using a

Bosch-authorized service provider during normal business hours.

For safety and property damage concerns, Bosch highly recommends that you do not attempt to repair the Product yourself, or use an un-authorized servicer; Bosch will have no responsibility or liability for repairs or work performed by a non-authorized servicer. If you choose to have someone other than an authorized service provider service your Product, THIS WARRANTY WILL AUTOMATICALLY BECOME NULL AND VOID. Authorized service providers are those persons or companies that have been specially trained on Bosch products, and who possess, in Bosch's opinion, a superior reputation for customer service and technical ability (note that they are independent entities and are *not* agents, partners, affiliates or representatives of Bosch).

Notwithstanding the foregoing, Bosch will not incur any liability, or have responsibility, for the Product if it is located in a remote area (more than 100 miles from an authorized service provider) or is in a reasonably inaccessible, hazardous, threatening, or treacherous locale, surroundings, or environment; in any such event, if you request, Bosch would still pay for labor and parts and ship the parts to the nearest service provider, but you would still be fully liable and responsible for any travel time or other special charges by the service company, assuming they agree to make the service call.

Out of Warranty Product: Bosch is under no obligation, by law or otherwise, to provide you with any concessions, including repairs, pro-rates, or Product replacement, once this warranty has expired.

Warranty Exclusions: The warranty coverage described herein excludes all defects or damage that are not the direct fault of Bosch, including without limitation, one or more of the following: (1) use of the Product in anything other than its normal, customary and intended manner (including without limitation, any form of commercial use, use or storage of an indoor product outdoors, use of the Product in conjunction with air or water-going vessels); (2) any party's willful misconduct, negligence, misuse, abuse, accidents, neglect, improper operation, failure to maintain, improper or negligent installation, tampering, failure to follow operating instructions, mishandling, unauthorized service (including self-performed "fixing" or exploration of the appliance's internal

workings); (3) adjustment, alteration or modification of any kind; (4) a failure to comply with any applicable state, local, city, or county electrical, plumbing and/or building codes, regulations, or laws, including failure to install the product in strict conformity with local fire and building codes and regulations; (5) ordinary wear and tear, spills of food, liquid, grease accumulations, or other substances that accumulate on, in, or around the product; and (6) any external, elemental and/or environmental forces and factors, including without limitation, rain, wind, sand, floods, fires, mud slides, freezing temperatures, excessive moisture or extended exposure to humidity, lightning, power surges, structural failures surrounding the appliance, and acts of God. In no event shall Bosch have any liability or responsibility whatsoever for damage to surrounding property, including cabinetry, floors, ceilings and other structures or objects around the Product. Also excluded from this warranty are scratches, nicks, minor dents, and cosmetic damages on external surfaces and exposed parts; Products on which the serial numbers have been altered, defaced, or removed; service visits to instruct in the use of the Product, or visits where there is nothing wrong with the Product; correction of installation problems (you are solely responsible for any structure and setting for the Product, including all electrical, plumbing or other connecting facilities, for proper foundation/flooring, and for any alterations including without limitation cabinetry, walls, floors, shelving, etc.); and resetting of breakers or fuses. **TO THE EXTENT ALLOWED BY LAW, THIS WARRANTY SETS OUT YOUR EXCLUSIVE REMEDIES WITH RESPECT TO PRODUCT, WHETHER THE CLAIM ARISES IN CONTRACT OR TORT (INCLUDING STRICT LIABILITY, OR NEGLIGENCE OR OTHERWISE. THIS WARRANTY IS IN LIEU OF ALL OTHER WARRANTIES, WHETHER EXPRESS OR IMPLIED. ANY WARRANTY IMPLIED BY LAW, WHETHER FOR MECHANICALITY OR FITNESS FOR A PARTICULAR PURPOSE, OR OTHERWISE, SHALL BE EFFECTIVE ONLY FOR THE PERIOD THAT THIS EXPRESS LIMITED WARRANTY IS EFFECTIVE. IN NO EVENT WILL THE MANUFACTURER BE LIABLE FOR CONSEQUENTIAL, SPECIAL, INCIDENTAL, INDIRECT, "BUSINESS LOSS", AND/OR PUNITIVE DAMAGES, LOSSES, OR**

EXPENSES, INCLUDING WITHOUT LIMITATION TIME AWAY FROM WORK, HOTELS AND/OR RESTAURANT MEALS, REMODELLING EXPENSES IN EXCESS OF DIRECT DAMAGES WHICH ARE DEFINITELY CAUSED EXCLUSIVELY BY BOSCH, OR OTHERWISE.

SOME STATES DO NOT ALLOW THE EXCLUSION OR LIMITATION OF INCIDENTAL OR CONSEQUENTIAL DAMAGES, AND SOME STATES DO NOT ALLOW LIMITATIONS ON HOW LONG AN IMPLIED WARRANTY LASTS, SO THE ABOVE LIMITATIONS MAY NOT APPLY TO YOU.

THIS WARRANTY GIVES YOU SPECIFIC LEGAL RIGHTS AND YOU MAY ALSO HAVE OTHER RIGHTS WHICH VARY FROM STATE TO STATE. No attempt to alter, modify or amend this warranty shall be effective unless authorized in writing by an officer of BSH.

How to Obtain Warranty Service: To obtain warranty service for your Product, you should contact the nearest Bosch authorized service center.

BSH Home Appliances –
5551 McFadden Avenue
Huntington Beach,
CA 92649
1-800-944-2904

STATEMENT OF WARRANTIES FOR BOSCH CLOTHES WASHERS

The warranties provided by BSH Home Appliances ("Bosch") in this Statement of Warranties apply only to Bosch

Clothes washers sold to the first using purchaser by Bosch or its authorized dealers, retailers or service centers in

the United States or Canada. The Warranties provided herein are not transferable.

LENGTH OF WARRANTY	SCOPE OF WARRANTY
1 Year Full Limited Warranty From Date of Installation*	Bosch will repair or replace, free of charge, any component part that proves defective under conditions of normal home use, labor and shipping costs included. Warranty repair service must be performed by an authorized Bosch Service Center (excluded cosmetic parts).
2 Year Limited Warranty From Date of Installation*	Bosch will provide replacement parts, free of charge, for any component part that proves defective under conditions of normal home use, shipping costs included, labor charges excluded.
2 Year Limited Warranty on Electronics From Date of Installation*	Bosch will repair or replace, free of charge, any microprocessor or printed circuit board that proves defective under conditions of normal home use during the first two years from the date of original installation, labor charges excluded.
2 Year Limited Warranty on Motor From Date of Installation*	Bosch will repair or replace, free of charge, any motor or component part of the motor that proves defective under conditions of normal home use during the first two years from the date of original installation, labor charges excluded.
* Date of installation shall refer to the earlier date the clothes washer is installed or ten business days after the delivery date.	

Exclusions

This warranty does not cover service calls or repairs to correct the installation of the clothes washer, to provide instructions on the use of your clothes washer, to replace house fuses or correct plumbing or the electric wiring in your home or to repair any clothes washer that is used in a manner other than what is normal and customary for home use.

In addition, the warranties provided in this Statement exclude any defects or damage arising from accident, alteration, misuse, abuse, improper installation, unauthorized service work, external forces beyond Bosch's control, such as fire, flood, and other acts of God, or installation not in accordance with local electrical and plumbing codes. Labor charges incurred in the repair or replacement of any clothes washer after a period of one year from date of installation shall not be covered by this warranty.

Any and all replaced and/or repaired parts shall assume the identity of the original for purposes of the applicable warranty period.

TO THE EXTENT PERMITTED BY LAW, THIS WARRANTY IS IN LIEU OF ALL OTHER EXPRESSED AND IMPLIED WARRANTIES, INCLUDING THE IMPLIED WARRANTIES OF MERCHANTABILITY AND FITNESS FOR A PARTICULAR PURPOSE. BOSCH DOES NOT ASSUME ANY RESPONSIBILITY FOR INCIDENTAL OR CONSEQUENTIAL DAMAGES.

TO OBTAIN WARRANTY SERVICE. CONTACT THE NEAREST BOSCH AUTHORIZED SERVICE CENTER OR CALL 1-800-944-2904 OR WRITE TO: BSH HOME APPLIANCES ATTN. SERVICE 5551 MC FADDEN AVE. HUNTINGTON BEACH, CA 92649 BE SURE TO PROVIDE YOUR CLOTHES WASHER MODEL NUMBER, SERIAL NUMBER, PURCHASE DATE, THE SELLER'S NAME AND ADDRESS, DATE PROBLEM OCCURRED, EXPLANATION OF PROBLEM, DAYTIME TELEPHONE NUMBER WHERE YOU CAN BE REACHED AND A COPY OF THE SALES INVOICE.

Dispositifs et avantages de votre nouveau lave-linge

Technologie SENSOTRONIC®

La technologie Bosch **SENSOTRONIC®** optimise le processus de lavage à tous les stades du cycle, et ceci au moyen de sondes détectant la charge de linge, le niveau d'eau et la température, et donne d'excellents résultats. Les sondes numériques protègent tous les textiles, la laine, le mohair et la soie. Cette machine fonctionne de facto par simple effleurement d'un bouton.

Système exclusif de charnière & joint

Une charnière renforcée et un joint nouveau, révolutionnaire, maintiennent le hublot bien fermé. Ils retiennent aussi la chaleur prisonnière et permettent à votre linge d'atteindre une température optimale d'éliminer les salissures même les plus rebelles.

Bac à produit lessiviel à 3 compartiments

Un bac à produit lessiviel à 3 compartiments distribue automatiquement les quantités appropriées de détergent, de produit blanchissant et de produit adoucissant exactement aux bons moments. Ce bac interagit avec notre sonde détectrice de mousse, unique en son genre, pour assurer que votre linge soit rincé jusqu'à obtention d'une propreté parfaite.

Cycle KIDSCARE™

Ce sont habituellement les plus jeunes occupants de la maison qui sont à l'origine des taches les plus tenaces. Ce cycle porte l'eau jusqu'à 150° F pour enlever facilement les tâches même les plus rebelles.

Pales de brassage

Tandis que votre linge est brassé en douceur, les aubes font tomber de l'eau en cascade depuis une hauteur importante, évacuant ainsi la mousse et conférant à l'ensemble du linge une propreté uniforme. Un tambour incliné interagit avec les pales pour assurer que pas une chemise n'échappe au malaxage.

Tambours en acier inoxydable

Le tambour du lave-linge **Nexxt™** présente des centaines de trous double perforation à bords arrondis permettant à vos vêtements d'être malaxés en douceur sans risque de s'accrocher.

Chauffe-eau interne

Une résistance chauffante interne porte l'eau à 150° F tandis qu'une sonde thermométrique numérique surveille en permanence la température. Les lave-linge Bosch **Nexxt®** offrent la méthode de chauffage la plus efficace et la plus précise, pour chaque type de textile sélectionné.

Fonctionnement silencieux

Les lave-linge Bosch font appel à des moteurs sans balais, à des systèmes de pompage suspendus et à des matériaux insonorisants pour qu'ils dégagent extrêmement peu de bruit pendant leur fonctionnement. Ceci signifie qu'il est possible de les installer de facto n'importe où dans la maison, sans qu'ils ne gênent personne.

Technologie SYNCHRO™

Gérez vos temps de fonctionnement du lave-linge et du sèche-linge avec le système d'exploitation technologique **SYNCRO™**. Les sèche-linge **Nexxt®** coordonnent leur action avec la vitesse d'essorage du lave-linge, selon les textiles sur lesquels il a été réglé et selon la température de lavage. Grâce à cette technologie, plus d'accumulation de linge lavé en attente que le sèche-linge finisse son cycle.

Table des matières

Définitions	31
INSTRUCTIONS DE SÉCURITÉ IMPORTANTES	31
INSTRUCTIONS DE MISE A LA TERRE	33
INSTRUCTIONS D'INSTALLATION	34
Introduction	34
Informations sur la mise au rebut	34
Protection de l'environnement / Questions d'écologie	34
Conformité d'utilisation	34
Équipement fourni d'origine	34
Dimensions	35
Lieu d'installation	35
Enlèvement des boulons servant de cales de transport	36
Longueurs des tuyaux et des cordons	37
Branchement de l'eau	37
Branchement électrique	39
Ajustage horizontal	39
Transport par ex. en cas de déménagement	40
INSTRUCTIONS D'UTILISATION	41
Présentation de votre nouveau lave-linge	41
Le bandeau de commande	42
Résumé des instructions	43
Avant d'utiliser l'appareil pour la première fois	44
Utilisation pour la première fois	44
Premier cycle de lavage (sans linge)	44
Préparation du linge	44
Tri du linge	44
Degrés de salissures	44
Chargement du linge	45
Produits lessiviels et additifs de lavage du linge	46
Verser la bonne quantité de produit	46
Remplir les compartiments à produits lessiviels et/ou à additifs	46
Décoloration	46
Programmes et fonctions	46
Programmes de base	46
Programmes spéciaux	47
Modifications des réglages	47
Boutons des options	48
Signal sonore	48
Voyant indicateur au-dessus du bouton «Start/Pause»	48
Fonctions spéciales	48
Lavage	49
Pendant le lavage	50
Nouvelle sélection d'un programme	50
Rajout de linge / Interruption du programme	50
Annulation d'un programme en cours	50
Après le lavage	50
Nettoyage et entretien	51
Nettoyage du lave-linge	51
Détartrage du lave-linge	52
Remédier soi-même aux petites pannes	53
Service Après-Vente (SAV)	55
ENONCE DE GARANTIE LIMITEE DES PRODUITS	56
DECLARATION DES GARANTIES LAVE-LINGE BOSCH	58
Exclusions de garantie	58
Tableau de sélection des programmes	59

Le nouveau lave-linge que vous venez d'acheter est un appareil domestique moderne et de haute qualité. Cette machine moderne lave votre linge en faisant appel aux processus de lavage les plus sophistiqués, afin d'obtenir des résultats de lavage hors pair.

Une ingénierie et une fiabilité excellentes réduisent de façon significative les coûts de fonctionnement.

Une philosophie d'utilisation facile, tout un ensemble de programmes de lavage personnalisés, un retour haptique agréable et faisant sentir la solidité du produit font de lui un assistant pratique dans votre foyer.

Cet appareil offre les caractéristiques standard suivantes :

- Niveau de bruit réduit au lavage et à l'essorage.
- Hublot élevé avec verrouillage pull-lock (verrouillage magnétique du hublot).
- Ouverture de porte 16 pouces (41 cm), charnière robuste et de qualité, angle d'ouverture 180°.
- Capacité du tambour 17,6 lbs (8 kg) pour le coton normal.

Chaque lave-linge quittant notre usine a subi un test poussé de performances et se trouve en parfait état de marche. L'appareil peut contenir de l'eau résiduelle, provenant des procédures d'essai. Si vous souhaitez poser des questions sur l'installation du lave-linge, notre service après-vente (SAV) se fera un plaisir de vous conseiller.

Vous trouverez d'autres informations et tout un choix de nos produits sur le site Web suivant : www.boschappliances.com.

Veuillez lire et respecter la présente notice d'utilisation et d'installation, ainsi que toutes les informations accompagnant le lave-linge.

La présente notice d'utilisation et d'installation décrit plusieurs modèles.

Les différences éventuelles sont indiquées à l'endroit approprié.

Les illustrations peuvent contenir des détails ne figurant pas sur votre lave-linge.

Définitions



AVERTISSEMENT



Avertissement – Ce symbole vous prévient d'un danger de mort ou d'un risque de blessures graves si vous ne respectez pas l'avertissement qui l'accompagne.



PRUDENCE

Prudence – Ce symbole vous prévient d'un risque de blessures si vous ne respectez pas l'avertissement qui l'accompagne.

PRUDENCE

Prudence – Ce symbole vous prévient d'un risque de dégâts matériels si vous ne respectez pas l'avertissement qui l'accompagne.



Ce symbole est destiné à attirer votre attention sur quelque chose de particulier.

⚠ INSTRUCTIONS DE SÉCURITÉ IMPORTANTES



AVERTISSEMENT



Pour réduire le risque d'incendie, de choc électrique, pour écarter tout risque de blessures graves ou tout danger de mort pendant l'utilisation du lave-linge, veuillez prendre des précautions fondamentales comprenant celles décrites ci-après.

1. Les lave-linge BOSCH sont livrés avec une notice contenant des instructions d'utilisation, d'entretien et d'installation. Veuillez lire et assimiler attentivement et intégralement ces instructions avant d'utiliser le lave-linge.
2. Ne lavez jamais dans ce lave-linge du linge préalablement nettoyé, lavé, trempé ou taché avec de l'essence, des solvants de dégraissage à sec ou avec

d'autres substances inflammables, explosives car tous peuvent dégager des vapeurs susceptibles de s'enflammer ou d'exploser.

3. A l'eau de lavage, n'ajoutez pas d'essence, de solvants de dégraissage à sec ni tout autre substance inflammable ou explosive. De ces substances se dégagent des vapeurs susceptibles de s'enflammer ou d'exploser.
4. Dans certaines conditions, de l'hydrogène peut se dégager d'un système à eau chaude qui n'a pas servi pendant quinze jours ou plus. LE GAZ HYDROGENE EST EXPLOSIF. Si le circuit d'eau chaude n'a pas servi pendant une telle période, ouvrez tous les robinets d'eau chaude et laissez l'eau couler plusieurs minutes de chacun avant d'utiliser le

lave-linge. Ceci évacuera tout l'hydrogène qui pourrait s'être accumulé. Ce gaz étant inflammable, ne fumez pas et n'utilisez pas de flamme nue pendant cette opération.

5. Avant de retirer l'appareil du service ou de le mettre au rebut, enlevez son hublot et coupez son cordon d'alimentation / sa fiche mâle.
6. N'introduisez pas les mains dans l'appareil pendant que le tambour de lavage tourne.
7. N'installez ni ne stockez pas l'appareil dans un endroit exposé aux intempéries.
8. Ne cherchez pas à modifier les commandes de l'appareil.
9. Ne réparez et ne remplacez pas toute pièce de l'appareil et abstenez-vous de toute manipulation autre que celles

- spécifiquement recommandées dans la notice d'entretien par l'utilisateur ou publiées dans une notice de réparations par l'utilisateur, dont vous comprenez le contenu et pour lesquelles vous détenez les connaissances et l'habileté voulues.
10. Veillez toujours à débrancher le lave-linge de la prise de courant avant d'effectuer toute opération sur l'appareil. Pour le débrancher, saisissez toujours sa fiche mâle, jamais son cordon d'alimentation.
 11. Pour réduire les risques d'incendie, vous devez écarter de toute source d'inflammation, séchoirs compris, les vêtements, chiffons de nettoyage, têtes de balais à frange et objets similaires qui ont été tachés par des substances inflammables, entre autres de l'huile végétale, de l'huile de cuisine, des huiles et distillats à base de pétrole, des cires et des graisses. Ces objets risquent en effet de contenir une ou plusieurs substance(s) inflammable(s) qui, après le lavage du linge, pourraient se mettre à fumer et prendre feu toutes seules.
 12. Ne lavez pas, avec ce lave-linge, de matériaux renforcés de fibre de verre (de nombreux rideaux et parements pour fenêtres contiennent des matériaux à base de fibre de verre). De petites particules pourraient rester dans le lave-linge et s'agripper au linge lors des séances de lavage suivantes, et provoquer ainsi des irritations cutanées.
 13. Lorsque les enfants arrivent à l'âge de faire marcher l'appareil, leurs parents ou tuteurs légaux ont la responsabilité de veiller à ce que des personnes qualifiées leur enseignent des méthodes d'utilisation sûres .
 14. Cet appareil n'est pas un jouet. Ne permettez jamais aux enfants de jouer dessus ou dedans. Surveillez les enfants de près lorsque l'appareil fonctionne à leur proximité.
 15. Eloignez les animaux domestiques du lave-linge.
 16. Ne tentez jamais de brancher / débrancher la fiche mâle de l'appareil avec les mains mouillées.
 17. Ne touchez pas le hublot de chargement pendant le lavage à haute température. Vous risqueriez de vous brûler.
 18. Prudence lorsque vous vidangez de l'eau chaude.
 19. Ne montez pas sur le lave-linge et ne vous appuyez pas sur le hublot ouvert.
 20. Ne vous asseyez pas sur la lave-linge.
 21. Pour réduire le risque de choc électrique, N'UTILISEZ PAS de prolongateur ni de multiprises pour raccorder le lave-linge au secteur domestique.
 22. N'utilisez le lave-linge qu'aux fins pour lesquelles il a été conçu.
 23. Respectez toujours les consignes d'entretien des textiles fournies par les fabricants du linge.
 24. N'utilisez pas le lave-linge si son câble d'alimentation est usé ou si sa prise électrique présente un faux contact. Dans ce cas, prenez contact avec un agent d'entretien agréé.
 25. Assurez-vous que tous les branchements d'eau sur le lave-linge comportent un ou plusieurs robinet(s) de fermeture et qu'ils sont facilement accessibles. Refermez le(s) robinet(s) du lave-linge à la fin de chaque journée de lavage.
 26. Vérifiez régulièrement les jonctions du tuyau flexible de remplissage. Assurez-vous qu'elles sont bien serrées et qu'elles ne fuient pas.
 27. Lisez et respectez toujours les instructions du fabricant du/des produit(s) lessiviel(s), auxiliaire(s) de nettoyage, produit(s) adoucisseur(s) et des produits éliminateurs d'électricité statique. Respectez tous les avertissements et prenez les précautions demandées.
 28. Rangez tous les produits chimiques pour le linge et les produits auxiliaires dans un endroit frais et sec, conformément aux instructions de leurs fabricants.
 29. Pour réduire le risque d'empoisonnement ou de brûlures chimiques, rangez tous les produits de nettoyage hors de portée des enfants.
 30. Ne faites jamais marcher le lave-linge si vous avez défait l'un de ses dispositifs de protection et/ou panneaux de capotage (exception : les boulons servant de cales de transport doivent avoir été enlevés).
 31. N'utilisez jamais le lave-linge s'il lui manque des pièces ou si certaines sont cassées.
 32. Ne tentez pas de rendre les dispositifs de sécurité inopérants.
 33. Pour éviter d'endommager le sol et la prolifération de moisissures, essuyez immédiatement l'eau qui s'est répandue autour ou sous l'appareil, ainsi que les flaques d'eau.
 34. Abstenez-vous de faire marcher ce lave-linge tant que vous n'êtes pas sûr(e) :
 - a. si le lave-linge a été installé conformément aux INSTRUCTIONS D'INSTALLATION.
 - b. que toutes les formes de raccordement, à l'eau, à l'égout, à l'électricité et à la terre se conformeront bien à la réglementation locale et/ou à d'autres prescriptions et exigences.
 35. L'installation, l'entretien et/ou l'utilisation du lave-linge sans respecter les instructions publiées par le fabricant peuvent créer des conditions génératrices de blessures corporelles et/ou de dommage pour les biens (im)mobiliers environnants.
 36. Le fait d'enlever tout panneau, y compris le panneau de service circulaire à l'avant, vous expose à un risque d'entrer en contact avec des arêtes ou pointes coupantes, des connexions électriques et des surfaces très chaudes.
 37. Pour éviter d'endommager le hublot, n'exercez pas de poussée contre lui lorsque vous déplacez l'appareil. Prenez des précautions pour ne pas endommager le planchar.

38. Branchez et testez le branchement de l'eau avant de mettre la machine sous tension.

Remarques :

- A. Les MISES EN GARDE et AVERTISSEMENTS IMPORTANTS figurant dans le présent manuel ne sauraient envisager toutes les situations possibles et imaginables. Faites preuve de bon sens, de prudence et de soin pendant l'installation, l'entretien et l'utilisation de ce lave-linge.
- B. Contactez toujours votre revendeur, distributeur, agent du service après-vente (SAV) ou le fabricant en présence de problèmes ou situations vous paraissant incompréhensibles.

INSTRUCTIONS DE MISE A LA TERRE

Il faut relier cet appareil à la terre. En cas de dysfonctionnement ou de panne, sa liaison avec la terre réduira le risque de choc électrique en fournissant au courant électrique un chemin de passage à résistance électrique très réduite. Cet appareil est équipé d'un cordon d'alimentation avec fil intégré de raccordement de l'appareil à la terre, et d'une fiche de raccordement à la terre. Il faudra brancher la fiche dans une prise femelle appropriée, reliée à la terre conformément à la réglementation et aux décrets locaux.

 AVERTISSEMENT 	
<p>Le branchement inexpert du fil chargé de raccorder l'appareil à la terre peut engendrer un risque de choc électrique. Connectez-le à un circuit individuel de dérivation. Avec l'aide d'un électricien agréé ou d'un technicien du SAV, vérifiez en cas de doute que le lave-linge est bien raccordé à la terre. NE MODIFIEZ PAS LA FICHE MÂLE accompagnant l'appareil. Si elle ne rentre pas dans la prise, demandez à un électricien agréé de vous installer une prise femelle appropriée.</p>	

CONSERVEZ CETTE NOTICE AFIN DE POUVOIR LA CONSULTER À NOUVEAU ULTÉRIEUREMENT.

Si l'appareil doit un jour changer de propriétaire, remettez-lui le manuel en même temps que le lave-linge.

CONSERVEZ CETTE NOTICE

INSTRUCTIONS D'INSTALLATION

Introduction

PRUDENCE

POUE EVITER
Risque de blessures!
Ce lave-linge est lourd. Soulevez-le avec prudence.

Veillez bien à observer tous les avertissements et mises en garde énoncés ci-dessous.

PRUDENCE

Les tuyaux flexibles gelés peuvent se déchirer / éclater. N'installez pas ce lave-linge en plein air ou dans un endroit exposé au gel.

Les présentes instructions d'utilisation sont destinées à des installateurs qualifiés. Outre ces instructions et lorsque vous installez le lave-linge :

- Aux Etats-Unis : conformez-vous au National Electric Code, ANSI/NFPA70 – en son édition la plus récente / en conformité avec la réglementation édictée par l'Etat de résidence, la réglementation municipale et/ou locale.
- Au Canada : en conformité avec le Code Electrique Canadien C22.1 – en son édition la plus récente / en conformité avec la réglementation édictée par la province de résidence, la réglementation municipale et/ou locale.

Si le lave-linge doit être installé dans une pièce exposée au gel, ou dans une résidence secondaire fermée pendant l'hiver, vous **devez** vidanger toute l'eau présente dans la pompe et dans le(s) flexible(s) d'arrivée d'eau.

Veillez à ne pas endommager le lave-linge.

Lorsque vous le soulevez, ne le saisissez pas par ses parties saillantes (le hublot par ex.).

Outre les instructions de sécurité énoncées ici, vous devez respecter les prescriptions spéciales édictées par vos compagnies locales de distribution d'eau et d'électricité.

En cas de doute, confiez le raccordement à un technicien agréé.

Informations sur la mise au rebut

Mise au rebut de l'emballage

L'emballage d'expédition protège votre nouvel appareil pendant son transport jusque chez vous. Tous les matériaux composant l'emballage sont écologiques et recyclables. Pour contribuer vous aussi à la protection de la nature, mettez les matériaux d'emballage au rebut de façon respectueuse de l'environnement. Consultez votre revendeur ou l'administration municipale pour connaître les meilleurs moyens d'éliminer l'emballage.

AVERTISSEMENT

Eloignez les enfants de tout carton d'emballage et composants d'emballage. Les feuilles en plastique et les cartons pliants comportent un risque d'étouffement.

Mise au rebut de l'ancien appareil

Les appareils anciens ne sont pas des déchets sans valeur! Un recyclage respectueux de l'environnement permet de récupérer de précieuses matières premières.

AVERTISSEMENT

Si l'appareil ne doit plus jamais servir, débranchez sa fiche mâle de la prise de courant, coupez son cordon d'alimentation et jetez-le avec la fiche mâle.

Pour empêcher que des enfants ne s'enferment dans l'ancien appareil et risquent leur vie, détruisez le système de fermeture du hublot ou retirez ce dernier.

Protection de l'environnement / Questions d'écologie

Votre nouveau lave-linge utilise efficacement l'eau, l'électricité et le produit lessiviel qu'il consomme, ménageant ainsi à la fois l'environnement et le budget de votre ménage.

Utilisez votre lave-linge de manière efficace et respectueuse de l'environnement :

- Evitez de mettre trop de produit lessiviel.
- Utilisez le détergent étiqueté HE pour obtenir une efficacité élevée avec les lave-linge à chargement frontal.
- Ajoutez du produit lessiviel en fonction du degré de salissure, de la quantité de linge et de la dureté de l'eau. Respectez les instructions du fabricant du produit lessiviel.

Conformité d'utilisation

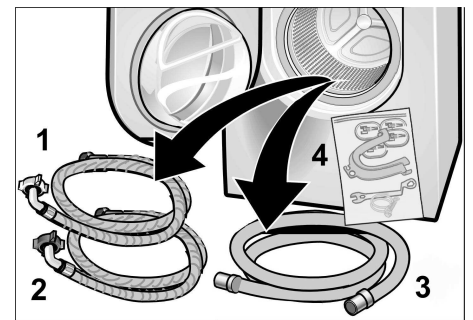
Votre lave-linge est destiné à :

- Un usage domestique uniquement.
- Laver des textiles lavables en machine, dans le bain lessiviel.
- Laver à l'aide d'eau du robinet froide et chaude (140 °F/60 °C) et d'additifs conventionnels adaptés à l'emploi en lave-linge domestiques.

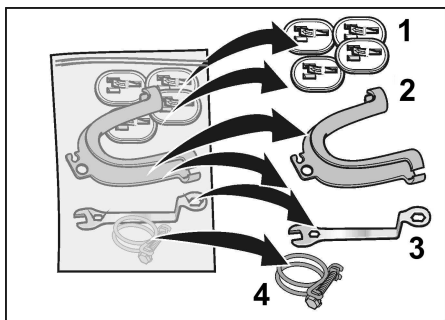
Equipement fourni d'origine

Votre lave-linge a été fourni accompagné d'un paquet d'accessoires. Vérifiez que les accessoires fournis avec votre modèle figurent au complet. Si des pièces manquent, prévenez immédiatement votre revendeur.

Accessoires présents dans le tambour:



1. Tuyau flexible d'arrivée d'eau froide (marqué en bleu).
2. Tuyau flexible d'arrivée d'eau chaude (marqué en rouge).
3. Tuyau flexible de vidange de l'eau.
4. Sachet d'accessoires (voir ci-dessous).



Le sachet d'accessoires contient ceci:

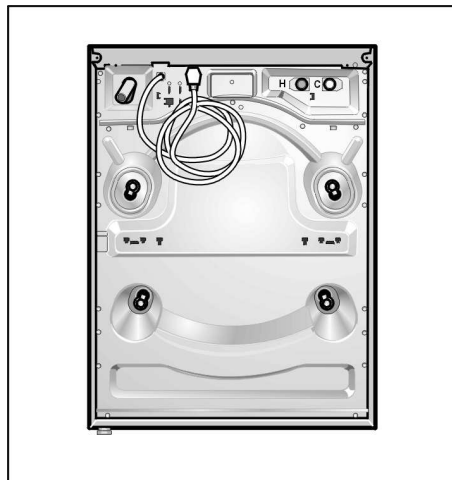
1. Coiffes servant à obturer les ouvertures demeurées libres après l'enlèvement des cales de transport.
2. Support pour le tuyau flexible de vidange.
3. Clé d'ajustage de l'horizontalité.
4. 1 coude servant à raccorder le tuyau flexible de vidange par ex. à un évier.

Suivant le type de branchement, vous aurez peut-être aussi besoin de l'accessoire suivant :

- Pièce en «Y» (procurez-vous la dans toute quincaillerie) au cas où vous ne pourriez raccorder le lave-linge qu'à l'eau froide.

Toute humidité présente dans le tambour provient du dernier essai subi par l'appareil avant de quitter la chaîne de fabrication.

Au dos de l'appareil :



- Cordon d'alimentation électrique terminé par une fiche mâle.

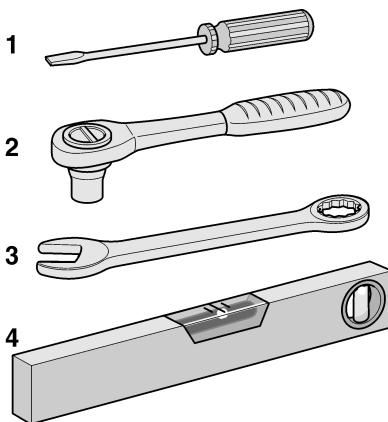
C = Raccord d'eau froide

H = Raccord d'eau chaude

Outillage utile

Les outils suivants vous faciliteront la tâche:

1. Tournevis à pane plate.
2. Clé à pipe (1/2" / 13mm).
3. Clé polygonale (1/2" / 13 mm).
4. Niveau à bulle.

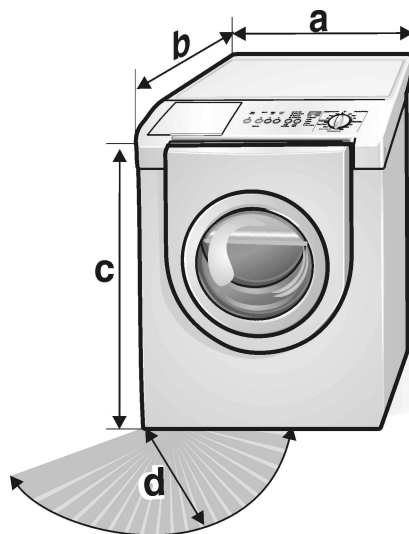


Outillage utile

Les outils suivants vous faciliteront la tâche :

- Tournevis à pane plate.
- Clé polygonale (1/2" / 13 mm).
- Niveau à bulle.

Dimensions



a = 27.0 pouces (686 mm)

b = 30.7 pouces (780 mm)

c = 37.0 pouces (940 mm)

d = 16.0 pouces (407 mm)

Angle d'ouverture du hublot : 180°

Poids approximatif = 220 lbs (100 kg.)

Lieu d'installation



AVERTISSEMENT



Ne reliez jamais le fil de terre du lave-linge à une tuyauterie en plastique, à un tuyau de gaz ou d'eau chaude.

Vu les vitesses d'essorage assez élevées qu'atteint la machine, il faut l'installer sur un sol dur et bien plat. Si vous l'installez sur un plancher en bois au-dessus d'un sous-sol ou d'un rez-de-chaussée, il faudra peut-être renforcer ce plancher. La structure et la robustesse du plancher là où est installée la machine peuvent influencer sur le niveau de bruit et les vibrations de la machine, et engendrer un risque qu'elle se déplace toute seule.

Si le lave-linge doit être installé sur un plancher, veuillez :

- Les surfaces molles, telles que celles recouvertes de moquette ou les revêtements à dos en mousse ne conviennent pas. Si possible, placer l'appareil dans un coin de la pièce.
- Visser une planche résistante à l'eau (épaisseur minimum : 3/4") sur le sol.
- Utiliser des brides de retenue pour bloquer les pieds du lave-linge. Pour obtenir ces brides (en kit), adressez-vous au service après-vente (n° de réf. WMZ 2200).
- Cet appareil ne peut pas être monté au-dessus du plan de travail.
- Cet appareil ne peut pas être monté en-dessous du plan de travail.

Montage sur estrade

Pour monter le lave-linge sur l'estrade Bosch (accessoire porteur du n° de réf. WTZ 1295, pour le modèle coloré, accessoire porteur du de réf. WTZ 1295S), veuillez suivre la notice d'instructions accompagnant cet accessoire.



Installez le piédestal avant d'enlever des boulons de transport.

Placard

Si le lave-linge doit fonctionner dans un placard, respectez les écarts minimaux conformément au tableau suivant :

Ecarts minimum à l'installation

	Placard
Côtés	1/4" (6 mm)
Sommet	12" (305 mm)
Arrière	2.5" (64 mm)
Devant	1/4" (6 mm)

Sommet: 48 sq. in (310 sq. cm),
En bas: 24 sq. in (155 sq. cm)

Check-List pour l'installation

Page

Enlevez complètement les 4 boulons de transport amenez le lave-linge sur son emplacement	36
Branchez le flexible à eau et le flexible de vidange	37
Raccordez-le à une prise électrique	39
Faites glisser le lave-linge jusque sur son emplacement final	39
Adjustez-le le plus bas possible	39
Exécutez un cycle de nettoyage avant la première utilisation	44

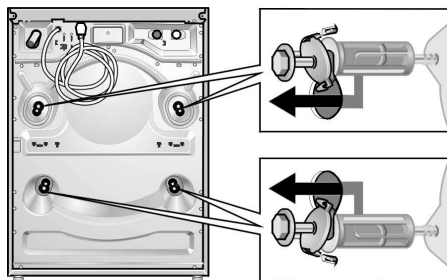
Enlèvement des boulon servant de cales de transport

PRUDENCE

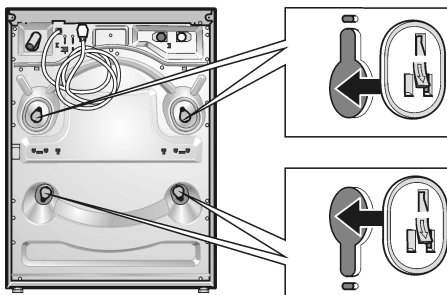
Ne mettez pas l'appareil en service pour la première fois tant que vous n'avez pas retiré ses cales de transport. Conservez ces cales en vue d'un déplacement ultérieur (déménagement par ex) de l'appareil.

- Desserrez les 4 boulons avant de dévisser complètement l'un des quatre boulons.
- Enlevez les deux boulons du bas avant ceux du haut.
- Loosen the bolts using the closed end of the 1/2" wrench provided. Loosen them until they can be removed freely.
- The recessed bottom bolts may be more easily removed using a 1/2" (13 mm) socket wrench.

- Desserrez les vis à l'aide de la clé contre-coudée, jusqu'à pouvoir finir de les dévisser librement.



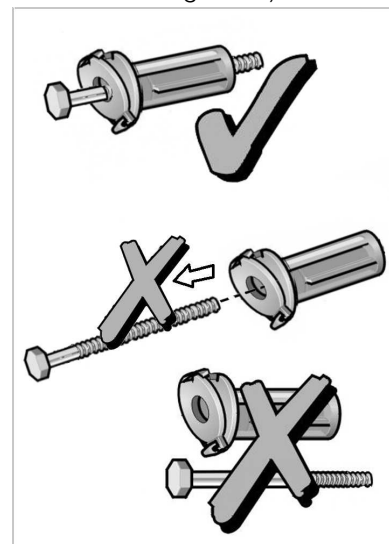
- Enlevez complètement chaque boulon de transport (boulon, ressort, rondelle et douilles). Pour ce faire, introduisez la main par le hublot ouvert et tirez légèrement le tambour en avant.
- Si les douilles ne sortent pas lorsque vous retirez les vis, replacez ces dernières dans les douilles puis essayez à nouveau avec précaution. Il est important que vous vous serviez des vis, sinon les douilles ne sortiront pas correctement.
- Pour ranger les boulons en vue d'une utilisation future, ne les détachez pas des douilles en plastique.



- Insérez les caches jusqu'à ce qu'ils encliquent à fond.

Rangement des cales de transport

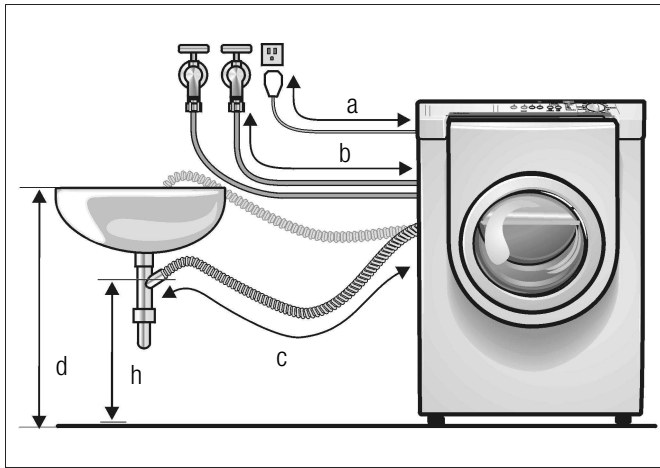
Ne jetez pas les cales de transport. Vous en aurez besoin lors d'un déplacement futur de l'appareil (par ex. lors d'un déménagement).



- Rangez les cales de transport chacune équipée de sa rondelle et de sa douille.

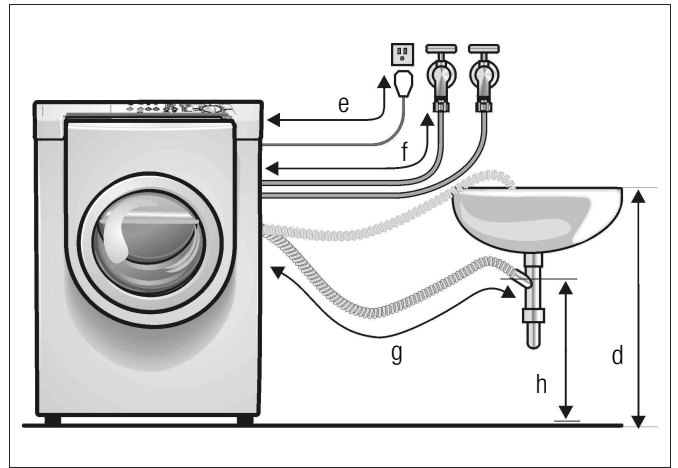
Longueurs des tuyaux et des cordons

Raccordement à gauche



- a = 55.0 pouces / 140 cm (approx.)
- b = 51.0 pouces / 130 cm (approx.)
- c = 33.5 pouces / 85 cm (approx.)
- d = 39.0 pouces / 100 cm (max.)

Raccordement à droite



- e = 69.0 pouces / 175 cm (approx.)
- f = 34.6 pouces / 88 cm (approx.)
- g = 55.0 pouces / 140 cm (approx.)
- h = 24.0 pouces / 60 cm (approx.)
- h = Hauteur minimum d'écoulement de l'eau

Autres tuyaux flexibles

En vente chez votre revendeur spécialisé :

- Rallonge de tuyau flexible d'alimentation (approx. 96.1 pouces / 2.44 m).

Branchement de l'eau

Alimentation en eau

PRUDENCE

Ne faites marcher ce lave-linge qu'avec de l'eau provenant du robinet d'eau froide ou d'eau chaude (140 °F / 60 °C maxi.). Ne raccordez pas l'appareil au mitigeur d'un chauffe-eau non pressurisé.

En cas de doute, confiez le branchement à un technicien agréé. Veillez bien à :

- Ne pas plier ni aplatir le tuyau flexible d'alimentation en eau.
- Ne pas le modifier ni le couper (sa solidité ne serait plus garantie).

Serrez les raccords en plastique uniquement à la main. N'enlevez pas les cribles de filtrage équipant les tuyaux flexibles d'alimentation en eau. Tenez compte de la pression régnant dans le réseau d'eau public :

- La pression de l'eau doit être comprise entre 14.5 et 145 psi (1 à 10 bars) (robinet ouvert, celui-ci doit débiter au moins 2.2 gallons US (8 litres) d'eau par minute).
- Si la pression de l'eau au robinet dépasse 145 psi, il faudra installer un détendeur.

PRUDENCE

Pour vous protéger de tout risque d'inondation, les robinets d'eau chaude et d'eau froide doivent demeurer accessibles une fois le lave-linge en place. Ramenez-les toujours en position fermée lorsque le lave-linge ne sert pas.

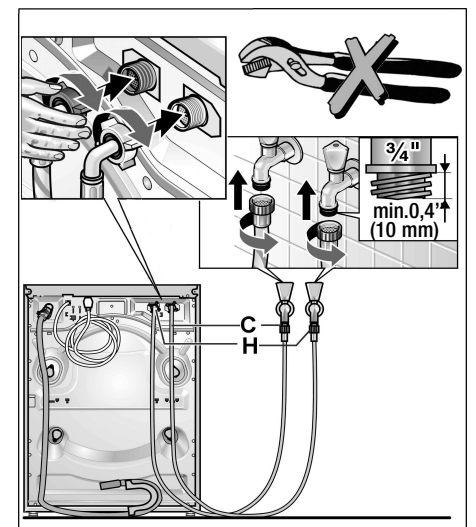
PRUDENCE

Si vous installez le lave-linge dans un bâtiment neuf ou dans un bâtiment dont le réseau de conduites vient d'être récemment installé ou réparé, faites d'abord couler beaucoup d'eau par les conduites de ce réseau avant de leur raccorder le lave-linge. Cette opération a pour but de chasser le sable, les impuretés et résidus qui pourraient être restés dans les conduites.

Branchement

C Branchement de l'eau froide et **H** Branchement de l'eau chaude (140 °F / 60 °C max.)

- ❑ Il faut serrer à **la main** les raccords en plastique lorsque vous branchez les flexibles d'alimentation au dos de l'appareil. Ne retirez pas les cribles situés dans les flexibles d'alimentation en eau.



- ❑ Après le branchement : ouvrez les robinets d'eau en grand et vérifiez que les raccords sont étanches.

PRUDENCE

Les raccords se trouvent sous la pression intégrale de l'eau. Vérifiez leur étanchéité avec chaque robinet en position grande ouverte.

Vidange de l'eau

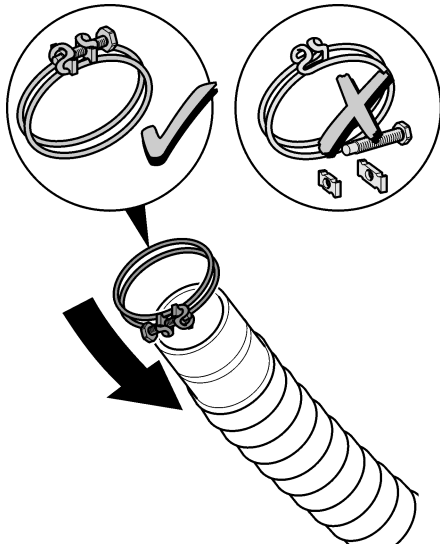
PRUDENCE

Ne pliez pas le tuyau flexible de vidange de l'eau et ne le tirez pas.

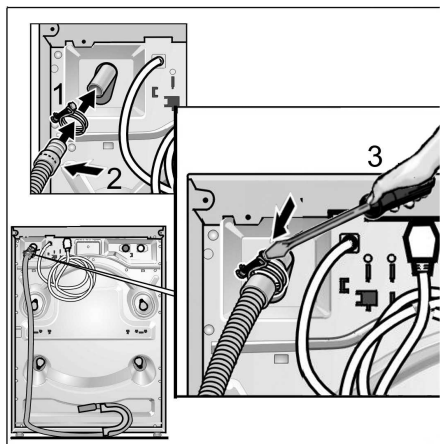
Différence de hauteur entre la surface où repose le lave-linge et celle de vidange : 8 pieds / 244 cm maximum, 2 pieds / 60 cm minimum.

Branchement du tuyau flexible de vidange de l'eau

- ❑ **No retirez pas la vis du système de bridage.** Desserrez seulement la vis ce qu'il faut pour que la bride glisse librement sur le flexible de vidange.



1. Fixez le tuyau flexible de vidange à l'extrémité de la prise de vidange.

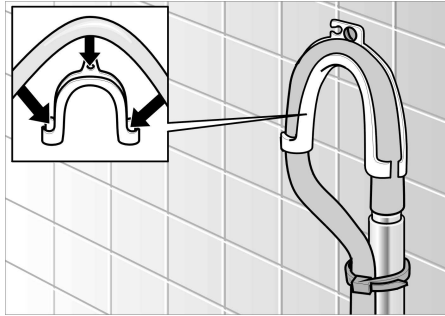


2. Fixez le tuyau de vidange contre le raccord à cet effet au dos de

l'appareil; positionnez la bride du flexible à approx. 3/8 pouces (9 mm) de l'extrémité du flexible.

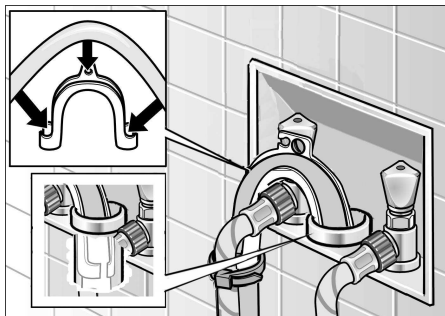
3. Serrez la bride avec un tournevis.

Raccordement à un tuyau vertical



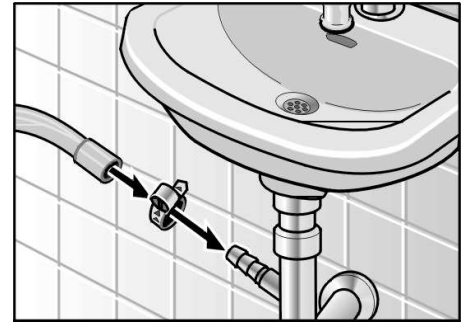
- ❑ Servez-vous du coude. Fixez le coude à l'extrémité du tuyau flexible puis insérez l'extrémité du tuyau flexible dans le tuyau vertical.
- ❑ Utilisez un collier ou un serre-câble pour maintenir le tuyau flexible en place.

Installation encastrée dans le mur



- ❑ Servez-vous du coude. Fixez le coude à l'extrémité du tuyau flexible puis insérez l'extrémité du tuyau flexible dans l'avaloir mural.
- ❑ Il faudrait que le flexible et le coude pénètrent dans le conduit de vidange ouvert aussi loin que le coude le permet lorsqu'en assise comme sur la figure ci-dessus.
- ❑ Utilisez un collier ou un serre-câble pour maintenir le tuyau flexible en place.

Vidange dans un siphon

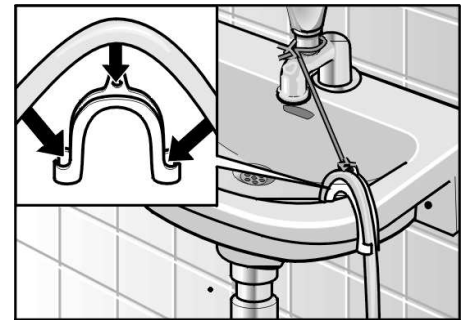


- ❑ Sécurisez la jonction au moyen d'un collier (il n'est pas compris dans les fournitures d'origine).

Vidange dans un lavabo

PRUDENCE

Veillez bien à ce que le bouchon du lavabo n'obture pas ce dernier.



- ❑ Fixez le tuyau flexible de manière sûre contre le lavabo.
- ❑ Utilisez un collier ou un serre-câble pour maintenir le tuyau flexible en place.
- ❑ Tandis que le lave-linge se vidange, vérifiez que le débit d'écoulement d'eau dans le lavabo est correct.

Branchement électrique

CONSIGNES DE RACCORDEMENT A LA TERRE

Il faut impérativement raccorder ce lave-linge à la terre. Si un dysfonctionnement ou une panne se produit, le raccordement à la terre réduira le risque de choc électrique vu que le courant pourra s'échapper par un fil offrant une faible résistance électrique. Cet appareil est équipé d'un cordon d'alimentation intégrant un fil de terre et une fiche de terre. Il faut raccorder la fiche à une prise femelle réglementairement installée et dotée de contacts eux-mêmes raccordés à la terre, ceci en conformité avec la réglementation et les ordonnances locales.

AVERTISSEMENT

Un raccordement incorrect de l'appareil à la terre engendre un risque de choc électrique. Si vous avez des doutes sur son raccordement à la terre, confiez la vérification à un électricien agréé ou à un technicien du SAV.

Ne modifiez jamais la fiche mâle fournie avec l'appareil. Si elle refuse de rentrer dans la prise femelle, faites-en installer une appropriée par un électricien agréé.

AVERTISSEMENT

Ne raccordez le lave-linge qu'à une ligne du secteur domestique spécialement destinée à celui-ci et terminée par une prise femelle réglementairement raccordée à la terre.

La tension du secteur domestique doit correspondre à celle spécifiée sur la plaque signalétique de l'appareil (plaque signalétique : voir page 55). Les spécifications de branchement ainsi que l'ampérage que doivent supporter les fusibles / disjoncteurs figurent également sur la plaque signalétique.

Volts	Hertz	Ampères	Watts
110-120	60	15	1350 (max.)

Assurez-vous que :

- La fiche mâle rentre bien dans la prise femelle du secteur.
- Les fils des câbles présentent bien la section minimum admise.
- Le circuit de raccordement à la terre a été correctement installé.

Seul un électricien agréé est habilité à remplacer un câble de secteur. Des câbles secteur de rechange sont disponibles auprès du service après-vente.

AVERTISSEMENT

Pour éviter tout risque d'incendie ou de choc électrique, N'UTILISEZ PAS de prolongateur ou de multiprises pour raccorder ce lave-linge au secteur électrique.

S'il est prévu d'utiliser un disjoncteur différentiel coupant toute fuite de courant à la terre, veuillez n'utiliser qu'un disjoncteur arborant le symbole :



Seul ce symbole garantit que le disjoncteur est conforme à toute la réglementation en vigueur. Ne (dé)branchez jamais la fiche mâle avec les mains mouillées ou humides. Lorsque vous débranchez la fiche mâle, saisissez toujours la fiche, pas le cordon.

PRUDENCE

POUE EVITER RISQUE DE BLESSURES – Soyez prudent pendant que vous utilisez la clé.

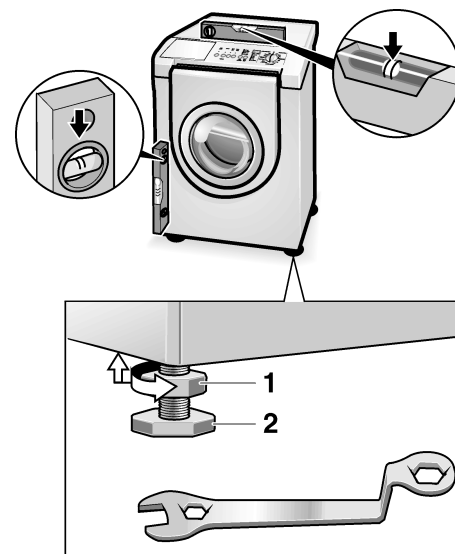
Ajustage horizontal

1. L'appareil doit maintenant se trouver à sa place définitive, prêt à être mis à niveau (si vous déplacez l'appareil après l'avoir mis à niveau, il faudra refaire la mise à niveau)

Placez tous les pieds du lave-linge bien d'aplomb sur le sol pour assurer sa stabilité.

Procédez après avoir vissé les quatre pieds le plus possible, puis vous mettrez à niveau le lave-linge en dévissant chaque pied.

2. Utilisez le niveau à bulle pour mettre à niveau l'avant et l'arrière du lave-linge, puis les côtés (vérifiez que le niveau à bulle s'encastre entre les bords du lave-linge, la moulure à la surface de l'appareil ne doit pas surélever une de ses extrémités).



3. Réglez la planéité du lave-linge à l'aide des quatre pieds réglables en hauteur. Mettez l'appareil à niveau le plus près possible du sol afin de réduire les vibrations.
 - Desserrez l'écrou de blocage (1 sur la figure) en le tournant en sens horaire à l'aide de la clé fournie (clé à molette 5/8 pouces). En tournant l'écrou de blocage, le pied (2 sur la figure) qu'il bloque tourne avec lui. Cette opération allonge le pied.
 - Faire sortir le pied (tourner en sens horaire) soulève le coin du lave-linge. Faire rentrer le pied (tourner dans le sens anti-horaire) abaisse le coin du lave-linge. Une fois le coin levé ou abaissé au niveau approprié, immobilisez le pied réglable en tournant l'écrou de blocage dans le sens anti-horaire jusqu'à ce qu'il se bloque contre le capôt du lave-linge.
- i** Vous devrez éventuellement utiliser une paire de pinces pour maintenir le pied et l'empêcher de tourner avec l'écrou que vous serrez. Si le pied tourne, ce dernier va modifier la hauteur du coin.

- ❑ Après avoir réalisé les réglages préliminaires, appuyez sur chaque coin du lave-linge pour vérifier qu'il ne vacille pas. S'il vacille, abaissez le pied du coin concerné jusqu'à ce qu'il entre franchement en contact avec le sol.

4. A l'aide d'un niveau à bulle (longueur de 24 pouces maximum), contrôlez la planéité du lave-linge (pour avoir des informations détaillées, voir la section de mise à niveau dans le manuel utilisateur).

- ❑ Posez le niveau à bulle sur le dessus de l'appareil pour vérifier le niveau d'un côté à l'autre et de l'avant vers l'arrière.
- ❑ Si la bulle se situe au centre, cela signifie que l'appareil est bien nivelé. Si ce n'est pas le cas, répétez la procédure de nivellement jusqu'à ce qu'il soit bien nivelé. Un conseil: si la bulle est proche d'une extrémité, ceci signifie que cette extrémité est plus élevée que l'autre. Pour niveler l'appareil, abaissez l'extrémité trop haute ou relevez l'extrémité trop basse.
- ❑ Après avoir nivelé l'appareil d'un côté à l'autre, tournez le niveau à bulle pour qu'il repose, sur le dessus, de l'avant à l'arrière de l'appareil, et vérifiez aussi le nivellement dans ce sens-là.

5. Réglez avec précision la planéité du lave-linge en plaçant un petit lot de linge dans la machine, démarrez une séquence d'essorage puis ajustez à nouveau la planéité.

- i** Si vous stoppez le cycle d'essorage manuel avant son achèvement, le hublot reste fermé pendant 10 secondes.

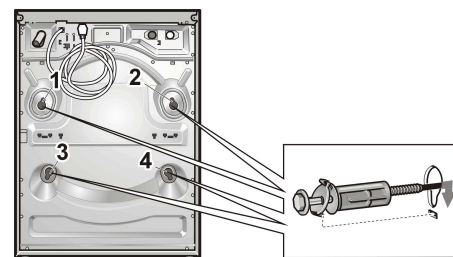
Transport par ex. en cas de déménagement

Avant de transporter le lave-linge :

- Refermez les robinets d'eau.
- Débranchez le lave-linge de la prise de secteur.
- Débranchez les tuyaux flexibles d'alimentation et de vidange.
- Mettez les cales de transport en place.

- i** Après avoir transporté l'appareil, après l'avoir rebranché et vous être assuré qu'il est correctement installé et branché, commencez par utiliser le programme **Vidange** avant de lancer le premier programme de lavage.

Préparation et insertion des cales de transport

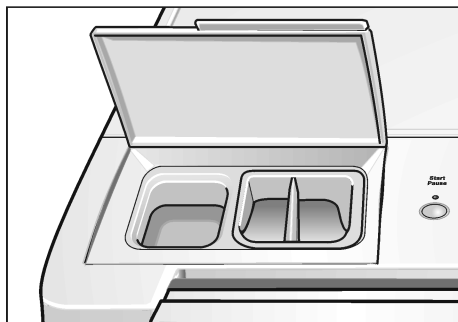


- ❑ Retirez les coiffes.
- ❑ Préparez les cales de transport : Desserrez la vis pénétrant dans la douille, ceci jusqu'à ce que l'extrémité de la vis arrive à ras de l'orifice de la douille.
- ❑ Insérez et serrez toutes les cales de transport. La partie saillante du boulon doit se situer dans la rainure visible dans le panneau arrière boîtier.

INSTRUCTIONS D'UTILISATION

Présentation de votre nouveau lave-linge

Versement du produit lessiviel et/ou d'additifs dans les compartiments



Ouvrez la porte (repère en couleur) ...



Et refermez la porte



⚠ PRUDENCE. La trappe d'accès située en bas à droite du lave-linge est réservée au personnel d'entretien. Elle ne doit être ouverte que par un technicien d'entretien agréé ou qualifié.

Le bandeau de commande

Boutons des options

(vous pouvez les ajouter au programme si nécessaire)

Bleach: l'appareil ajoute un cycle de blanchiment au programme sélectionné.

Rinse plus: cycle de rinçage supplémentaire.

Heavy duty: la durée de lavage augmente car la charge de linge est très sale.

Vous pouvez combiner ces options à volonté.

Si vous avez choisi une option :

Le voyant indicateur s'allume en rouge.

Pour désactiver une option :

Appuyez à nouveau sur son bouton. Le voyant indicateur s'éteint.

Affichage

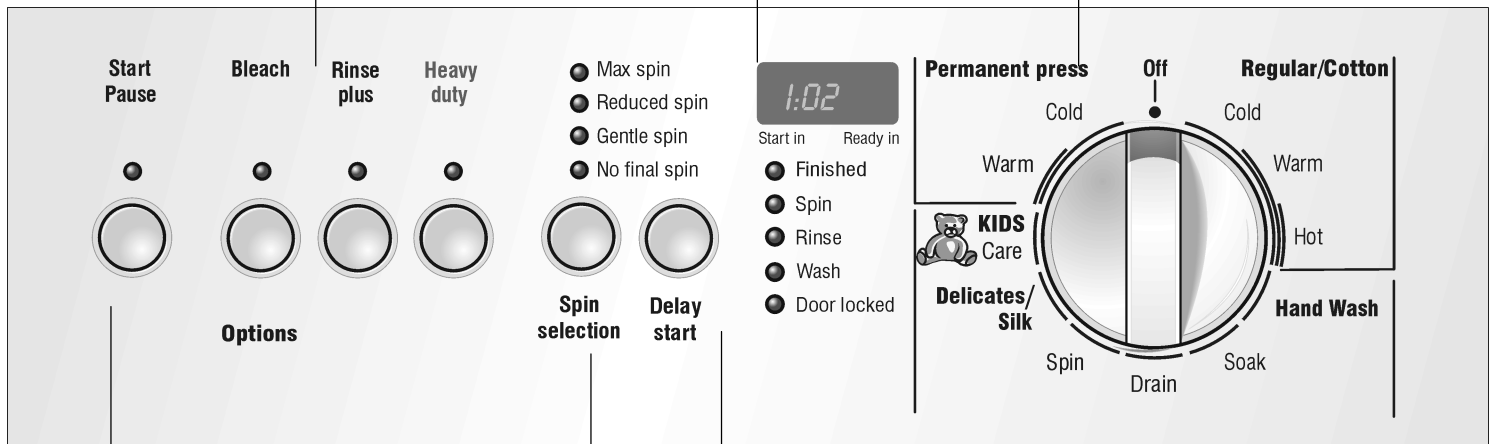
Le nombre d'heures de **différé du départ** (2 heures ici, Ready in) s'affiche si vous avez sélectionné un programme.

Le temps **Start in** (démarrage) s'affiche si vous avez choisi en plus la fonction **Delay Start**.

Programmeur

Il sert à allumer et éteindre la machine et à sélectionner le programme voulu. Ce programmeur peut tourner dans les deux sens.

Pendant le déroulement du programme, le programmeur ne tourne pas. C'est un circuit électronique qui commande les séquences du programme.



Bouton Start/Pause

Ce bouton sert à lancer et interrompre le cycle de lavage (vous devrez d'abord sélectionner le programme).

Voyant indicateur

Le voyant clignote en rouge : ceci signifie que vous pouvez modifier les réglages et pouvez lancer le cycle de lavage, que le hublot est verrouillé pour des raisons de sécurité, ou que le programme se trouve en mode «Pause».

Le voyant est allumé en rouge : ceci signifie qu'un programme est en cours d'exécution. Vous pouvez appuyer sur le bouton «Pause».

Le voyant est éteint : ceci signifie que le programme est terminé ou que vous n'en avez pas sélectionné.

Voyants indicateurs

Le voyant **door locked** (hublot fermé) s'allume si vous avez sélectionné un programme et appuyé sur le bouton **Start**.

Les voyants **wash**, **rinse** et **spin** (lavage, rinçage et essorage) s'allument si le programme correspondant est en cours.

Le voyant **finished** (fin) s'allume si le programme est prêt.

Si les voyants indicateurs clignotent, ceci signifie la présence d'un défaut de fonctionnement!

Bouton Delay Start (départ différé)

Le différé du **départ** (Delay Start) peut atteindre 19 heures (si nécessaire). Sur l'écran s'affiche dans combien d'heures le lave-linge démarrera.

Bouton de sélection de l'essorage

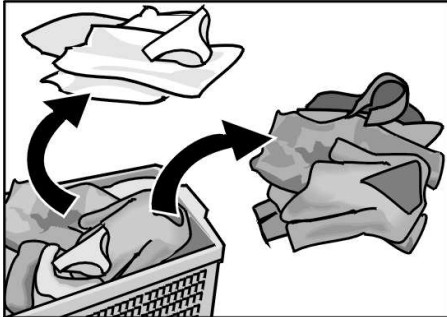
Il sert à modifier la vitesse d'essorage (si nécessaire). Le voyant correspondant à la vitesse d'essorage sur laquelle le bouton a été réglé s'allume en rouge.

Résumé des instructions

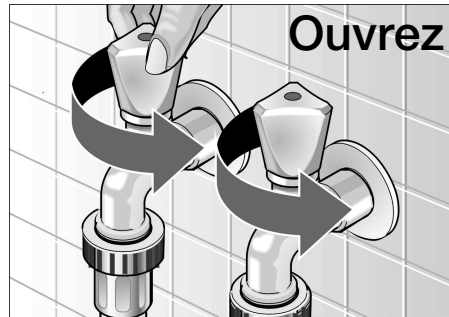
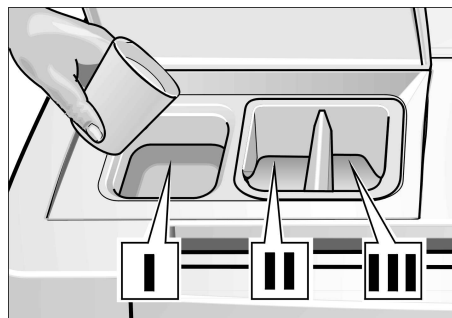
⚠ Avertissement

Avant d'utiliser votre lave-linge, veuillez lire et suivre toutes les instructions d'installation et d'utilisation.

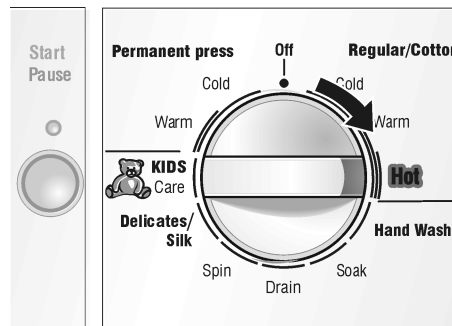
Préparation du linge



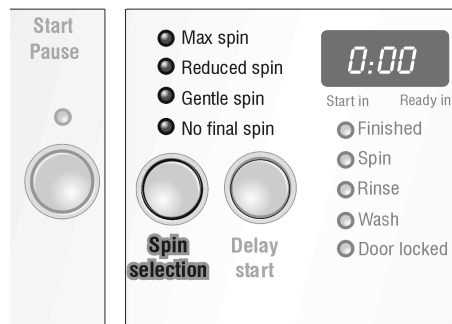
KIDS Care 150 °F 66 °C	hot 125 ° 52 °C	warm 95 °F 35 °C
	cold 60 °F 15 °C	



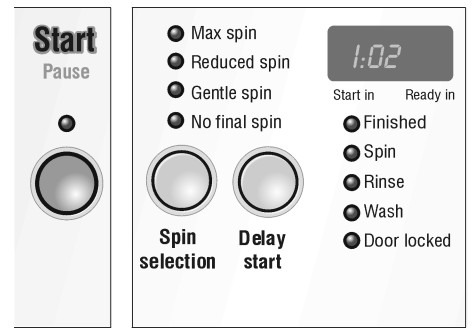
Sélectionnez un cycle et faites démarrer le lave-linge



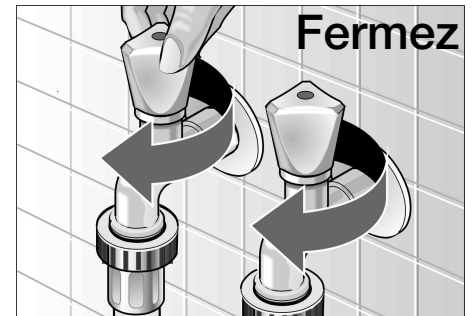
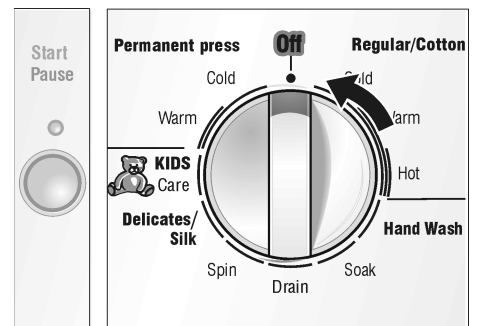
Modifiez les réglages, la vitesse d'essorage par ex.



puis lancez le lavage



Après le lavage



Avant d'utiliser l'appareil pour la première fois

Le lave-linge doit avoir été correctement installé et raccordé (reportez-vous à la page 34).

Avant d'utiliser votre lave-linge pour la première fois :

- ❑ Vérifiez que la tension du secteur domestique, sur laquelle doit fonctionner le lave-linge, correspond à celle spécifiée sur la plaque signalétique.
- ❑ Vérifiez que les vannes à eau du lave-linge ont été connectées correctement et qu'elles se trouvent en position ouverte.

Utilisation pour la première fois

Premier cycle de lavage (sans linge)

Votre appareil a été testé avant de quitter l'usine. Pour vous assurer que votre première charge de linge sera bien lavée, exécutez auparavant un cycle complet à vide.

- ❑ Ne chargez pas de linge dans le tambour.
- ❑ Ouvrez le robinet d'eau.
- ❑ Ouvrez en grand le couvercle du bac à produits lessiviels.
- ❑ Versez env. 1 quart (1 litre) d'eau dans le compartiment I du bac à produits lessiviels ; voir page 46.
- ❑ Versez 1 à 2 c. à soupe de produit lessiviel dans le compartiment 1 à produit lessiviel.

i N'utilisez pas de détergent pour textiles délicats (risque d'une production excessive de mousse).

- ❑ Refermez le couvercle du bac à produits lessiviels.
- ❑ Refermez le hublot.
- ❑ Réglez le programmeur sur **Regular/Cotton hot**. Le voyant indicateur **Start/Pause** clignote en rouge.
- ❑ Appuyez ensuite sur le bouton **Start/Pause**. Le programme démarre. Le voyant de contrôle reste allumé en rouge sans clignoter.

i Le temps de marche du programme apparaît à l'affichage.

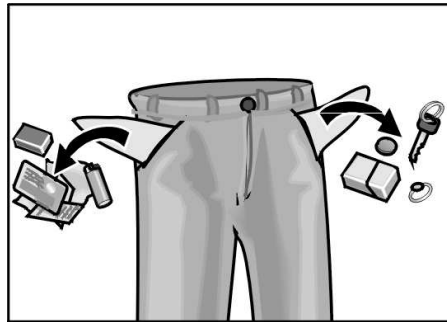
Une fois le temps affiché revenu sur «0:00» :

- ❑ Ouvrez le hublot.
- ❑ Ramenez le programmeur sur **Off**.

Préparation du linge

PRUDENCE

Les objets divers (par ex. pièces de monnaie, trombones, aiguilles, clous et d'autres objets durs) peuvent, pendant le lavage, endommager le linge ainsi que certaines pièces du lave-linge (le tambour par ex.).



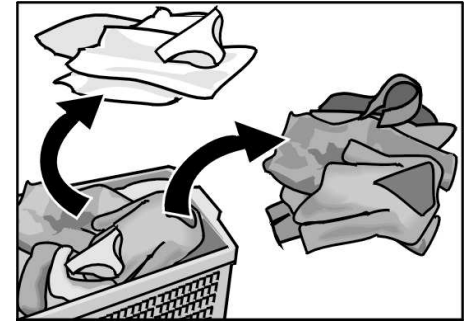
- ❑ Videz toutes les poches que comporte le linge.
- ❑ Brossez les bourres, le sable et les salissures.
- ❑ Fermez les fermetures à glissières et boutonnez les couettes, etc.
- ❑ Enlevez les roulettes des rideaux ou liez-les dans un filet.
- ❑ Enlevez les barrettes, boutons, boucles et d'autres objets durs pour les empêcher de rayer l'intérieur du lave-linge.
- ❑ Enlevez les garnitures et ornements non lavables.
- ❑ Retroussez les tricots synthétiques pour éviter qu'ils pèlent.
- ❑ Traitez les salissures et les taches.

Pour éviter de perdre ou d'abîmer le linge, ou d'endommager le lave-linge, l'armature articles suivants dans un filet à linge:

- ❑ Chaussettes de bébé (petits articles)
- ❑ Collants et bas
- ❑ Ceintures
- ❑ Soutien-gorge avec armature (si vous les lavez directement dans lave-linge, l'armature risque de s'enlever et d'endommager le linge)

Tri du linge

Selon sa couleur et son degré de salissure



PRUDENCE

Certaines pièces de linge risquent de déteindre. Ne lavez jamais le linge de couleur avec du linge blanc.

Le linge blanc risque de prendre une teinte grisâtre. Lavez toujours séparément le linge blanc et le linge de couleur.

Degrés de salissures

Salissures légères

Absence de salissures ou taches visibles mais présence possible d'odeurs de transpiration.

- Lingerie légère d'été.
- T-shirts, chemises et chemisiers portés seulement une journée.
- Linge de lit, serviettes des invités, utilisés seulement un jour.

Salissures normales

Salissures et/ou certaines taches légères visibles.

- T-shirts, chemises et chemisiers très imprégnés de transpiration et portés plusieurs jours.
- Serviettes de table, serviettes de toilette, et linge de lit utilisés pendant une semaine maximum.
- Rideaux (sans taches de nicotine) qui n'ont pas été lavés depuis 6 mois.

Salissures intensives

Salissures et/ou taches visibles.

- Serviettes de cuisine qui ont servi pendant une semaine maximum.
- Nappes textiles.
- Bavettes de nourrisson.
- Vêtements de plein air pour enfants ou maillots de football et shorts comportant des taches d'herbe et de terre.
- Vêtements de travail tels que salopettes, tabliers de boulanger ou de boucher.

Taches typiques

- Huiles de soins corporels, huiles / graisses de cuisson, sauces, huile minérale, cire (à base de graisse / d'huile).
- Thé, café, vin rouge, fruits, légumes.
- Sang, tache d'œuf, de lait, d'amidon (à base de protéines / hydrates de carbone).
- Suie, terre, sable (pigments), argile rouge.

Détachage

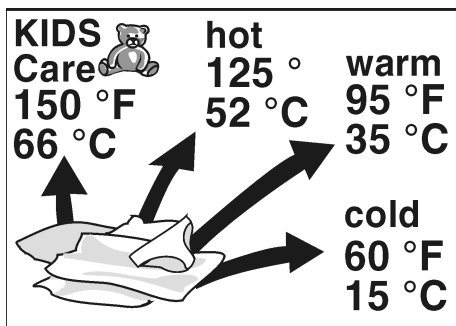
Chaque fois possible, enlevez / prétraitez les taches tant qu'elles sont fraîches.

Commencez par tamponner de l'eau savonneuse sur la tache. Ne frottez pas.

Ensuite, lavez les pièces de linge tachées à l'aide du programme approprié.

Il faudra parfois plusieurs lavages pour parvenir à supprimer les taches rebelles / qui avaient eu le temps de sécher avant le détachage.

Tri du linge en fonction des symboles d'entretien figurant sur leur étiquette d'entretien



Voir aussi les réglages de température page 47.

Types de tissu

- Lavage en machine, coton
- Lavage en machine, linge infroissable
- Lavage en machine, linge délicat
- Lavage à la main



Températures

- Froid
- Chaud
- Très chaud



Ne lavez jamais en machine du linge arborant une étiquette d'entretien avec la mention «Do Not Wash» (Ne pas laver) ou le symbole DO NOT WASH.

Chargement du linge

AVERTISSEMENT

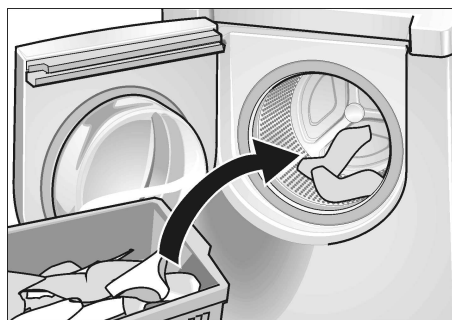
POUE EVITER Risque d'explosion! Les pièces de linge prétraitées avec un produit de nettoyage, par un produit détachant ou de nettoyage à sec, chacun à base de solvant, créent un risque d'explosion une fois chargées dans le lave-linge. Commencez par soigneusement rincer ce linge à la main.

PRUDENCE

Les corps étrangers présents dans le tambour du lave-linge peuvent abîmer le linge. Avant de charger le linge, vérifiez l'absence de corps étrangers dans le tambour.



- Ouvrez le hublot.



- Dépliez le linge trié puis introduisez-le sans tasser dans le tambour. Mélangez les grandes et les petites pièces de linge. Les pièces de linge de tailles différentes se répartiront mieux pendant l'essorage.

- i** Ne dépassez pas la limite maximale de chargement : une surcharge empêchera le linge de se laver correctement et favorisera le froissage.

Pour obtenir les meilleurs résultats, nous recommandons de charger le tambour par types de textiles. Reportez-vous aux programmes spéciaux page 46. Ils contiennent des informations sur les objets encombrants, les écharpes en laine par exemple :

Pleine charge

Coton et lingerie de corps

½ charge

Pressing permanent, synthétiques et tricots

⅓ de la charge

Laine, linge délicat, soie



- i** Fermez le hublot. Veillez bien à ne pas coincer de linge entre le hublot et le joint en caoutchouc. Le hublot doit se fermer facilement, sans que vous deviez forcer.

PRODUITS LESSIVIELS ET ADDITIFS DE LAVAGE DU LINGE

Verser la bonne quantité de produit

⚠ AVERTISSEMENT ⚠

POUE EVITER

Risque d'empoisonnement !
Rangez les produits lessiviels et additifs hors de portée des enfants.

La quantité de produit à verser dépend des facteurs suivants :

- La dureté de l'eau.
Renseignez-vous auprès de votre compagnie locale distributrice des eaux. Aguas blandas requieren de una cantidad de agente de lavado menor.
 - La quantité de linge.
 - Le degré de salissure.
Des informations sur les salissures figurent à la page 44 de la présente notice.
 - Les spécifications publiées par le fabricant du produit lessiviel. En utilisant la bonne quantité de produit lessiviel, vous contribuez à réduire la pollution de l'environnement et vous vous assurez des résultats de lavage optimaux.
- Si vous devez utiliser un produit lessiviel conçu pour les lave-linge top, nous recommandons, pour éviter un dégagement excessif de mousse, d'utiliser seulement le quart à la moitié (approx. 2 – 3 Tbl.) de la quantité recommandée par le fabricant du produit lessiviel destiné aux lave-linge top correspondants. Cette moindre quantité de produit peut affecter la qualité du lavage. La première fois, prenez seulement un quart de la quantité de produit lessiviel recommandée. Augmentez la dose la fois suivante si le niveau de mousse reste bas et si les vêtements ne se nettoient pas bien.

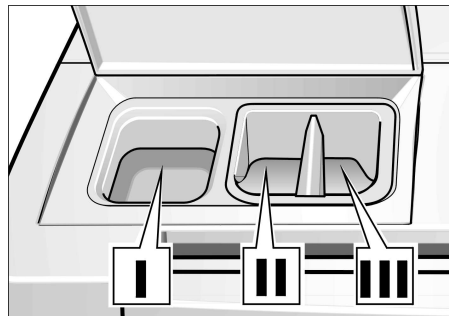
Si vous n'avez pas utilisé assez de produit lessiviel :

Linge incorrectement lavé ; il prend une teinte grise avec le temps et se raidit. Des taches gris brun (taches de graisse) peuvent apparaître sur le linge. Les résistances chauffantes risquent de s'entartrer.

Si vous avez utilisé trop de produit lessiviel :

Non respectueux de l'environnement, une mousse excessive réduit l'agitation du linge.

Remplir les compartiments à produits lessiviels et/ou à additifs



- Ouvrez le couvercle du bac à produits lessiviels.
- Versez le produit lessiviel et/ou l'additif.

Compartiment I :

Produit lessiviel pour le lavage, produit détachant.

- Nous vous recommandons d'utiliser des détergents HE car ils sont spécialement conçus pour que vous obteniez des performances optimales avec votre lave-linge à chargement frontal. Si vous n'utilisez pas un détergent HE, des problèmes risquent de survenir, tels qu'un dégagement excessif de mousse, de plus longues séquences de cycle, ou une des performances de lavage.**

Compartiment II :

Produit de nettoyage, par ex. adoucisseur liquide, produit amidonnant. Ne remplissez pas au-dessus du bord de la ligne de maximum.

Compartiment III :

Compartiment à produit blanchissant liquide (produit blanchissant à base de chlore, produit blanchissant ne décolorant pas). Ne remplissez pas au-dessus du bord de la ligne de maximum !

- Si l'adoucisseur liquide ou le produit amidonnant est concentré ou coule épais, mélangez-le dans un peu d'eau avant de le verser (ceci empêche une obstruction de l'orifice de trop-plein).

- Refermez le bac à produits lessiviels. Veuillez assurer le couvercle est entièrement fermé.**

Décoloration

PRUDENCE

Les agents décolorants peuvent contenir du soufre ou du chlore et faire que certaines pièces de l'appareil se corrodent. Par conséquent, ne teignez pas de pièces de linge dans ce lave-linge.

Programmes et fonctions

La durée du cycle peut varier suivant le cycle sélectionné, la température et la pression de l'eau entrante, sa dureté, la charge de linge, le type de tissus et la distance du lave-linge par rapport au tuyau d'écoulement à l'égout.

Les vitesses d'essorage maximales des programmes dépendent du cycle. Pour régler la vitesse d'essorage, voir page 47.

Programmes de base

Linge normal / Coton Très chaud

Tissus grand teint normalement et/ou fortement tachés. Articles robustes, résistants à l'usure, confectionnés en coton ou en lin, dont les vêtements de travail et la lingerie de corps.

Linge normal / Coton Chaud

Tissus pouvant déteindre, légèrement et/ou normalement sales. Articles robustes, résistants à l'usure, en coton ou en lin comme les jeans, les t-shirts et les polos.

Linge normal / Coton Froid

Tissus pouvant déteindre, légèrement sales. Articles robustes, résistants à l'usure, en coton ou en lin (dont les teintures peuvent migrer ou s'estomper).

Infroissables Chaud

Articles en coton pouvant déteindre, légèrement et/ou normalement sales, infroissables, en lin, en tissu synthétique ou tissu mixte, et vêtements de dessus. Vêtements requérant une séquence spéciale de lavage avec agitation et une vitesse d'essorage spéciale pour minimiser le froissage, tels que les chemisiers, chemises et tabliers.

Infroissables Froid

Articles en coton pouvant déteindre, légèrement et/ou normalement sales, infroissables, en lin, en tissu synthétique ou tissu mixte, et vêtements de dessus. Vêtements requérant une séquence spéciale de lavage avec agitation et une vitesse d'essorage spéciale pour minimiser le froissage.

Programmes spéciaux

Déliçats/Soies

Les réglages Délicats sont destinés aux pièces de linge délicates mais facile à entretenir, en coton, satin, synthétiques ou en textile mélangé, et aux voilages, prêt-à-porter, jupes et chemisiers.


Pièces encombrantes comme par ex. les écharpes, peuvent se laver pendant ce cycle vu l'agitation en douceur et un rinçage additionnel (ajouté automatiquement).

La machine n'essore pas entre les cycles de rinçage.

Lavage à la main

Les réglages Lavage à la main servent à laver les pièces de linge très délicates mais faciles à entretenir, qu'il faut habituellement laver à la main.

Ces cycles de lavage ont été spécialement conçus pour traiter les textiles très en douceur.

Ce cycle permet de laver sans risques tous les lainages, articles en soie ou divers comportant le symbole  de lavage à la main «Hand Wash» sur l'étiquette d'entretien.

Habillement enfants

Pour tissus tachés, très sales et s'usant peu, tels que les jeans pour enfants, drops, T-shirts.

i Ne lavez pas le linge multicolore avec d'autres pièces de linge.

Tempage

Cycle servant au prétraitement des articles fortement tachés. Le cycle de trempage dure deux heures et se termine par un cycle d'essorage bref.

Vidange

Cette fonction peut servir à vidanger l'eau sans que la machine essore en même temps.

Essorage

Cycle d'essorage destiné au linge mouillé lavé à la main.

L'appareil vidange l'eau avant et pendant le cycle d'essorage.

Réglages de la température

Les températures de lavage suivantes sont disponibles :

KIDS Care: 150 °F (66 °C)

Très chaud (hot) : 125 °F (52 °C)

Chaud (warm) : 95 °F (35 °C)

Froid (cold) : 60 °F (15 °C)

Vitesses maximales d'essorage selon les programmes

Le voyant «Max spin speed» (vitesse d'essorage maximale) est allumé en rouge.

Nombre de tours/minute	Programme
1000	Linge normal/Coton
600	Pressing permanent
1000	KIDS Care
600	Déliçats
1000	Vidonge

Vitesse d'essorage réduite

Le voyant indicateur «Reduced spin» est allumé en rouge.

Il ne s'allume que si vous avez sélectionné une vitesse d'essorage réduite pour traiter votre linge en douceur.

Vitesses d'essorage modérées

Le voyant indicateur «Gentle spin speed» est allumé en rouge.

Nombre de tours/minute	Programme
400	Lavage à la main
400	Tempage

Arrêt cuve pleine (sans essorage final)

Le voyant indicateur «No final spin» est allumé en rouge.

Pour le linge délicat.

L'eau demeure dans la cuve après le dernier rinçage.

Utilisez ce réglage pour éviter le froissage, si vous ne pouvez pas retirer le linge du tambour immédiatement après la fin du cycle.

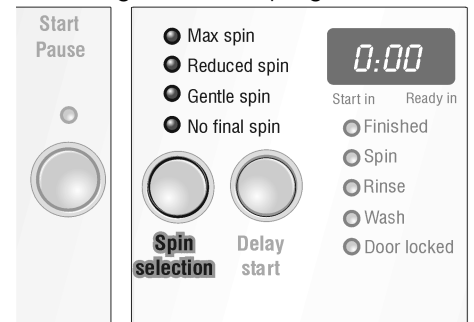
PRUDENCE

Avant d'ouvrir le hublot, pensez à vidanger l'eau en sélectionnant **Drain** ou **Spin** puis en faisant démarrer la machine.

Modifications des réglages

Sélection de la vitesse d'essorage (Spin selection)

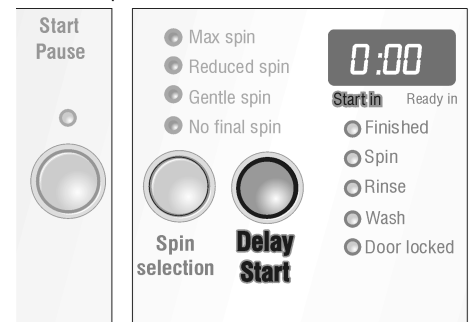
Vous pouvez modifier la vitesse d'essorage maximale programmée.



Appuyez sur ce bouton jusqu'à ce que le voyant correspondant au réglage désiré s'allume.

Départ différé (Delay Start)

Avant de lancer un programme, vous pouvez modifier le nombre d'heures dans lequel celui-ci devra démarrer.



Appuyez sur ce bouton. L'heure de départ «0:00» apparaît à l'affichage. Vous pouvez reculer cette heure de 19 heures, par étapes d'une heure, en appuyant à nouveau sur le bouton **Delay Start**.

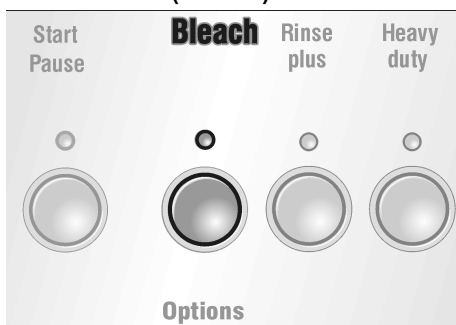
Le compte à rebours des heures commence immédiatement après le réglage. Les deux points clignotants situés entre les chiffres le signalent.

i Vous pouvez modifier à tout moment la durée du **départ différé**. Appuyez simplement sur le bouton **Delay Start** jusqu'à ce que la nouvelle durée s'affiche.

i Si vous modifiez ou interrompez le programme, ceci interrompt aussi la durée du **départ différé**. Le programme affiche dans combien de **temps** (Ready in) le linge sera prêt. Vous devrez resélectionner l'heure de **démarrage**.

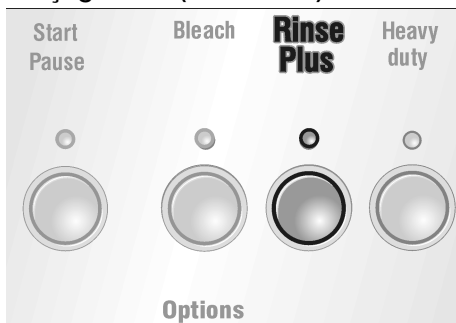
Boutons des options

Blanchiment (Bleach)



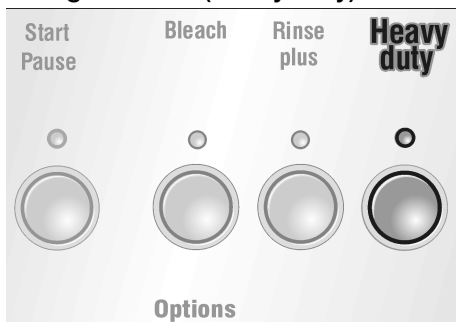
Lorsque vous appuyez sur ce bouton, la machine ajoute un cycle de blanchiment au cycle sélectionné. La durée du cycle de lavage augmente en conséquence.

Rinçage Plus (Rinse Plus)



Lorsque vous appuyez sur ce bouton, la machine ajoute un cycle de rinçage au cycle sélectionné. La durée du cycle de lavage augmente en conséquence.

Lavage intensif (Heavy duty)



L'option Intensif est recommandée **UNIQUEMENT** pour les vêtements très sales qui présentent des taches tenaces et incrustées, à base de protéines. Il N'est PAS recommandé d'utiliser l'option Intensif avec d'autres cycles pour laver des vêtements normalement sales ou peu sales. Lorsque vous appuyez sur ce bouton, le lave-linge se remplit seulement d'eau froide. Le cycle de lavage se déroule déjà pendant l'échauffement jusqu'à une température définie. Durée de lavage accrue en présence de charges de linge très sales.

Signal sonore

Un signal sonore indique les différents états du programme (par ex. départ/fin du programme et les défauts de fonctionnement).

Pour activer ce signal :

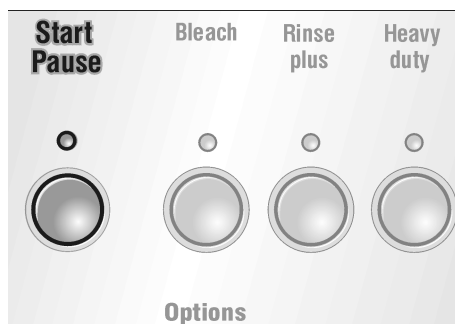
- Sélectionnez un programme.
- Appuyez sur deux boutons d'option (par ex. Blanchiment et Rinçage plus) jusqu'à ce que l'appareil émette un signal long.

Pour désactiver le signal :

- Sélectionnez un programme.
- Appuyez sur deux boutons d'option et maintenez-les appuyés jusqu'à ce que l'appareil émette un signal court.

i N'activez / ne désactivez pas un signal sonore pendant le déroulement d'un programme.

Voyant indicateur au-dessus du bouton «Start/Pause»



Ce voyant vous fournit les informations suivantes :

- Lorsqu'il **clignote en rouge** : vous pouvez faire démarrer le programme.
- Vous pouvez ajouter du linge.
- Lorsqu'il reste constamment allumé en **rouge**. Programme en cours.
- Vous ne pouvez pas ajouter de linge car le hublot est verrouillé pour des raisons de sécurité.

Vous pouvez ajouter du linge après avoir appuyé sur le bouton **Start/Pause**.

Fonctions spéciales

Adaptation automatique à la charge (Auto Load Adjust)

Cette fonction ajuste automatiquement la consommation d'eau et d'électricité dans chaque programme, elle détermine la quantité de linge et le type de textile.

Cette fonction a été intégrée dans la machine et s'exécute automatiquement.

Elle permet de réduire la consommation d'eau et d'électricité pendant le lavage de petites charges de linge.

Détection des charges de linge mal réparties

Le système automatique de détection des charges mal réparties soumet le linge à plusieurs séquences d'essorage pour mieux le répartir dans le tambour. Si le linge s'est mal réparti dans le tambour, la machine ne l'essore pas (pour des raisons de sécurité).

Durée affichée

En raison de ces fonctions et d'autres pilotées par la commande, la durée réelle d'un cycle peut varier.

Une fois que vous avez choisi un programme, la durée probable s'affiche.

Les critères suivants influent sur la durée affichée :

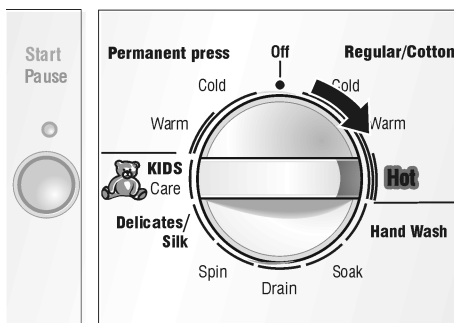
- La charge de linge
- Les tentatives répétées, effectuées par la machine, pour répartir uniformément la charge
- Les cycles de rinçage additionnels en cas de dégagement excessif de mousse
- Si la pression de l'eau est trop basse
- Si vous avez choisi des options comme par ex. «Rinçage Plus»

i Vous vous rendez peut-être compte des effets de ces critères du fait que la durée affichée augmente ou diminue pendant le déroulement du cycle. Si vous n'avez sélectionné aucune option et qu'aucun des critères susmentionnés ne se manifeste, la durée affichée ira en diminuant jusqu'à la fin du cycle.

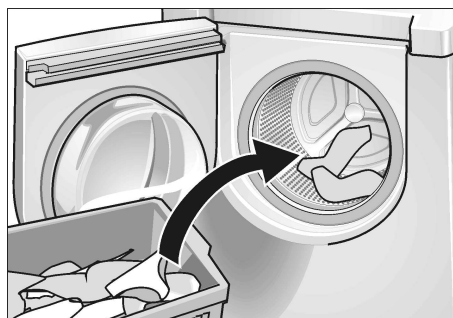
Lavage



- ☐ Ouvrez les robinets d'eau.

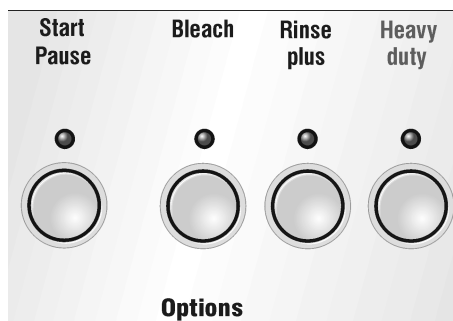


- ☐ Réglez le programmateur sur la programme voulu.



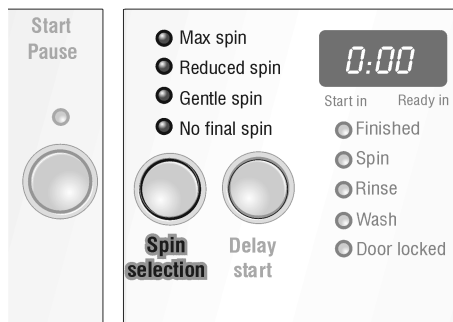
- ☐ Chargez le lave-linge puis refermez le hublot.

Le voyant indicateur **Start/Pause** clignote en rouge.

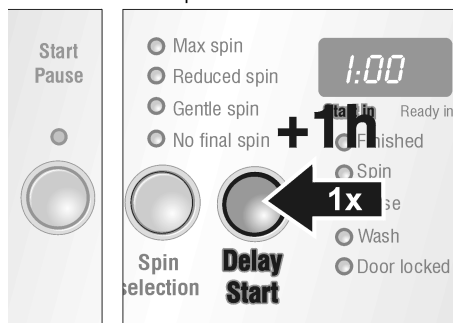


- ☐ Si nécessaire, appuyez sur le(s) bouton(s) pour choisir une ou plusieurs options. Le voyant du bouton sélectionné s'allume en rouge sans clignoter.

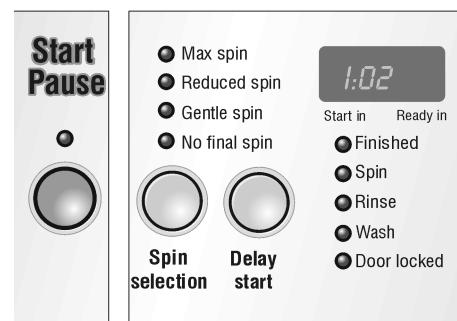
- i** Si par inadvertance vous avez sélectionné une combinaison incorrecte, le voyant du bouton sélectionné ne s'allume pas.



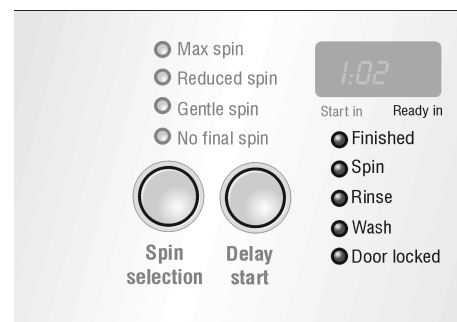
- ☐ Si nécessaire, modifiez la vitesse d'essorage par le bouton **Spin Selection** (Sélection de la vitesse d'essorage), jusqu'à ce que s'allume le voyant correspondant à la vitesse que vous souhaitez.



- ☐ Si nécessaire, reportez l'heure de **démarrage**. Appuyez sur le bouton **Delay Start** (Départ différé) jusqu'à ce que s'affiche le nombre d'heures dans lequel vous voulez que la machine **démarr**e.



- ☐ Appuyez sur le bouton **Start/Pause**. Le voyant s'allume en rouge. A l'affichage apparaît le durée de marche du programme sélectionné. Le programme démarre.



- i** Chaque étape du programme est signalée par l'allumage des voyants situés sous l'affichage.

Pendant le lavage

- i** Vu la haute technicité de la suspension équipant la machine, elle peut se mettre à frémir ou trembler lors du passage d'une vitesse d'essorage basse à une vitesse élevée. Ce comportement est normal, il est dû à un décalage du tambour et n'a pas lieu de vous préoccuper.

Nouvelle sélection d'un programme

- Réglez le programmateur sur **Off**.
- Réglez le programmateur sur un nouveau programme. Le voyant du bouton **Start/Pause** clignote.
- Modifiez les réglages si nécessaire : voir à partir de la page 47.
- Appuyez sur le bouton **Start/Pause**. Le programme démarre. Le voyant du bouton reste allumé en permanence.

Rajout de linge / Interruption du programme

Vous pouvez rajouter du linge ultérieurement dans le tambour, en retirant ou interrompre l'exécution d'un programme à tout moment.

- i** Nous déconseillons de rajouter du linge une fois terminée la phase de lavage.
- i** Vous pouvez rajouter ou retirer du linge tant que le voyant du bouton **Start/Pause** clignote en rouge.
- Appuyez sur le bouton **Start/Pause**. Le voyant du bouton **Start/Pause** clignote.
- Ouvrez le hublot.
- Ajoutez/Retirez du linge.
- Refermez le hublot.
- Appuyez sur le bouton **Start/Pause**. Le programme se poursuit. Le voyant du bouton reste allumé en rouge sans clignoter.

- i** Si le voyant du bouton **Start/Pause** reste allumé en rouge, vous pouvez interrompre le programme, mais vous ne pouvez toutefois pas ouvrir le hublot pour des questions de sécurité (niveau d'eau, température ou vitesse d'essorage trop élevées).

- i** Si la vitesse d'essorage est excessive, le voyant du bouton **Start/Pause** reste allumé en rouge. Vous pouvez rajouter du linge en mode «Pause», pendant que le tambour ne tourne pas.

Annulation d'un programme en cours

Si vous voulez arrêter un programme et retirer le linge :

- i** Si vous avez annulé un programme à un stade où le linge est très chaud, attendez qu'il ait refroidi au point que vous puissiez toucher le verre du hublot sans vous brûler.
- Ramenez le programmateur sur **Off**.
- Amenez le programmateur sur **Drain** ou **Spin** (Vidange ou Essorage)

- i** Pour l'**essorage**, sélectionnez la vitesse d'essorage voulue (mais pas la fonction **No Final Spin** (Sans Essorage final).

- Appuyez sur le bouton **Start/Pause**.
- Attendez que le programme se termine.
- Ouvrez le hublot.
- Déchargez le linge.

- i** Si vous avez annulé un programme à un stade où le linge est très chaud, il se peut que la porte du hublot reste verrouillée jusqu'à ce que l'appareil ait refroidi.

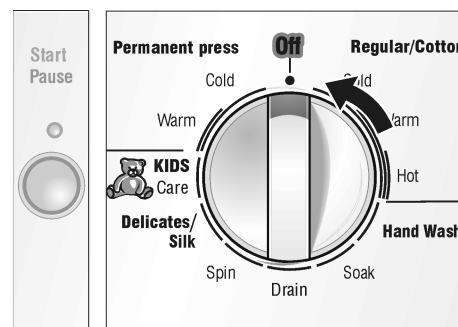
- i** Si vous avez arrêté le programme en éteignant carrément l'appareil, il se peut que la porte du hublot reste verrouillée.

Après le lavage

Le voyant du bouton **Start/Pause** s'éteint. A l'affichage apparaît la mention «0:00».



- Ouvrez le hublot.



- Ramenez le programmateur sur **Off**.
- Fermez les robinets d'eau.
- Retirez le linge.

Si vous avez présélectionné «No final spin» (Sans essorage final)

Le voyant du bouton **Start/Pause** clignote.

- Réglez le programmateur sur **Drain**. Le voyant du bouton **Start/Pause** clignote.
- Appuyez sur le bouton **Start/Pause**. Le voyant du bouton reste allumé en permanence.
- Une fois ce programme terminé, ouvrez le hublot.
- Ramenez le programmateur sur **Off**.
- Fermez les robinets d'eau.
- Retirez le linge.

- i** Après lavage, laissez le hublot ouvert pour que l'intérieur de la machine puisse sécher.

Nettoyage et entretien

Nettoyage du lave-linge

⚠ AVERTISSEMENT ⚠

POUE EVITER RISQUE DE CHOC ELECTRIQUE !

Avant de nettoyer l'appareil, débranchez toujours sa fiche mâle de la prise de courant. Ne nettoyez jamais l'appareil avec un nettoyeur sous pression.

⚠ AVERTISSEMENT ⚠

POUE EVITER RISQUE D'EXPLOSION !

N'utilisez jamais de solvants inflammables pour nettoyer le lave-linge.

PRUDENCE

Vérifiez à l'occasion la présence de corps étrangers (par ex. pièces de monnaie, trombones, etc.) entre le tambour et le joint en caoutchouc – **POUE EVITER Risque de rouille!**

Nettoyage du corps de l'appareil et du bandeau de commande

Si nécessaire :

- ❑ Utilisez de l'eau savonneuse chaude ou un détergent doux et non abrasif.
- ❑ Essuyez et séchez avec un chiffon doux.

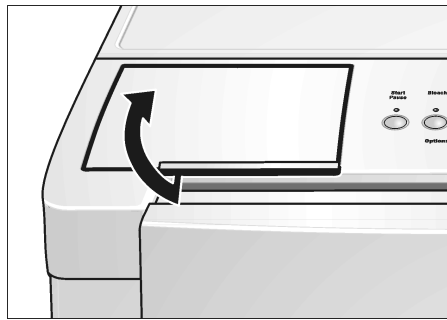
Nettoyage du tambour

Dans le cas où des taches de rouille seraient apparues en raison de corps étrangers restés dans l'appareil (par ex. pièces de monnaie, trombones, aiguilles, clous) :

- ❑ Utilisez un produit de nettoyage sans chlore. Respectez les instructions publiées par son fabricant. N'utilisez jamais de tampons en laine d'acier.

Nettoyage du bac à produits lessiviels

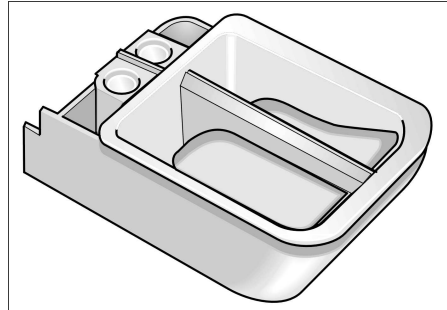
Si des résidus de produit lessiviel ou des additifs se sont accumulés dans le bac, ou si encore de l'adoucisseur liquide / le produit blanchissant n'ont pas été complètement rincés :



- ❑ Ouvrez le couvercle du bac jusqu'à la butée finale.



- ❑ Tirez vers le haut le compartiment à adoucisseur liquide / produit blanchissant puis retirez-le.
- ❑ Nettoyez le compartiment à produits lessiviels sous l'eau du robinet. Il se démonte en deux parties!



- ❑ Réinsérez le bac à produits lessiviels jusqu'à ce qu'il enclenche.

Nettoyage des cribles d'arrivée d'eau

Cette opération s'impose lorsque pas ou très peu d'eau afflue dans le lave-linge.

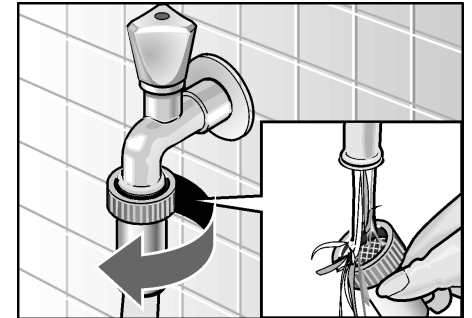
Commencez par supprimer la pression régnant dans les tuyaux flexibles d'arrivée d'eau :

- ❑ Fermez les robinets d'eau.
- ❑ Amenez le programmeur sur un programme quelconque (sauf **Spin** (Essorage) ou **Drain** (Vidange)).
- ❑ Appuyez sur le bouton **Start/Pause** et attendez approximativement une minute.

- ❑ Ramenez le programmeur sur **Off**.

Nettoyage du/des crible(s) équipant le robinet d'eau

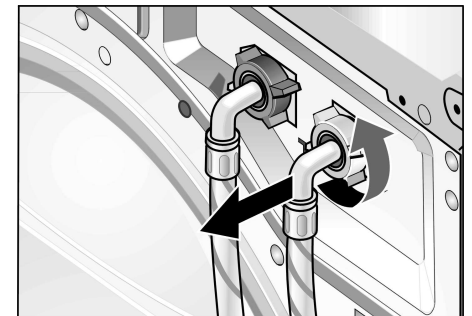
Opérations à réaliser sur le robinet d'eau chaude et celui d'eau froide :



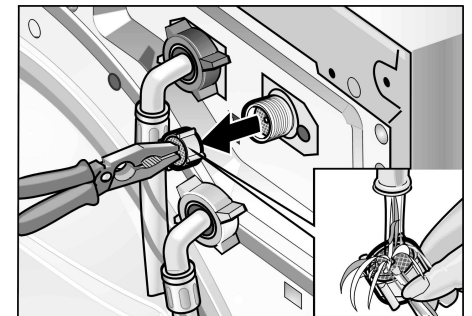
- ❑ Débranchez le tuyau flexible du robinet.
- ❑ Rincez le crible sous l'eau du robinet.
- ❑ Rebranchez le tuyau flexible.

Nettoyage des cribles équipant le lave-linge

Opérations à réaliser sur les raccords d'eau chaude et d'eau froide :



- ❑ Débranchez le tuyau flexible situé au dos du lave-linge.



- ❑ Extrayez le crible puis rincez-le sous l'eau du robinet.
- ❑ Insérez le crible puis rebranchez le tuyau.
- ❑ Rouvrez les robinets d'eau et vérifiez que l'eau ne fuit pas au niveau des raccords. Si elle fuit, vérifiez si vous avez correctement remis le crible en place.

- ❑ Refermez les robinets d'eau.

Conseils de nettoyage

Nous vous recommandons de faire circuler dans le lave-linge une petite quantité de javel à usage ménager tous les trois mois.

Faites marcher le lave-linge de la façon suivante, sans mettre de linge:

- ❑ Versez une tasse de javel dans le compartiment pour détergent du bac à produit lessiviel.
- ❑ Exécutez le programme couleurs/coton chaud.

Détartrage du lave-linge

PRUDENCE

Les produits de détartrage contiennent des acides susceptibles d'attaquer certaines pièces du lave-linge et de décolorer le linge.

A condition d'utiliser le type correct de produit lessiviel, vous n'aurez pas besoin de détartrer le lave-linge.

Si des taches blanches, de calcaire ou minérales apparaissent à l'intérieur du tambour du lave-linge, vous pourrez utiliser un produit détartrant pour les enlever.

Si toutefois un détartrage s'impose, veuillez suivre les instructions publiées par le fabricant du produit de détartrage.

Remédier soi-même aux petites pannes



AVERTISSEMENT

POUE EVITER RISQUE DE CHOC ELECTRIQUE !

Les réparations ne pourront être réalisées que par un technicien agréé.

Si des réparations s'imposent ou si, malgré le tableau ci-dessous, vous ne parvenez pas à supprimer le défaut par vous-même :

- Ramenez le programmeur sur **Off**.
- Débranchez le lave-linge de la prise de courant.
- Refermez les robinets d'eau.
- Appelez le service après-vente (reportez-vous à la page 55).

Dérangement	Cause possible	Remède
Impossible d'ouvrir le hublot.	Vous avez sélectionné «No final spin» (Sans essorage final).	Sélectionnez Drain ou Spin (Vidange ou Essorage).
	Coupure de courant.	Un programme interrompu reprend une fois le courant revenu. Si vous voulez enlever le linge pendant la coupure de courant, appelez le SAV (voir page 55).
	Programme en cours et/ou hublot verrouillé pour des raisons de sécurité.	Attendez la fin du programme ; voir page 50.
	Fiche mâle incorrectement ou pas branchée.	Supprimez-en la cause.
Impossible d'ouvrir le hublot, même en éteignant puis rallumant l'appareil.	Programmeur ramené sur Off avant la fin du programme.	Sélectionnez un programme.
	Pour des raisons de sécurité, le hublot demeure verrouillé car le niveau d'eau, la température et la vitesse sont trop élevés.	Voir «Ajouter du linge / Annulation d'un programme en cours», page 50.
Les voyants de commande ne s'allument pas.	Un fusible est grillé.	Remplacez le fusible protégeant le circuit électrique qui alimente l'appareil.
	Coupure de courant.	Appelez le service après-vente si le défaut persiste. Le programme interrompu reprendra une fois le courant revenu. Si vous voulez enlever le linge pendant la coupure de courant, appelez le SAV (voir page 55).
Le programme ne démarre pas, le voyant de Start/Pause clignote.	Vous n'avez pas appuyé sur le bouton Start/Pause.	Appuyez sur le bouton Start/Pause .
Le programme ne démarre pas, le voyant « finished » (Fin) est allumé et la mention « E:01 » apparaît à l'affichage.	Vous n'avez pas fermé le hublot correctement.	Vérifiez si du linge est coincé entre le hublot et le joint. Fermez le hublot (un «clic» doit se faire entendre). Le programme poursuit.
Impossible de choisir la vitesse d'essorage.	Essorage déjà en cours ; pendant un cycle d'essorage, impossible de changer la vitesse.	Sélectionnez la vitesse d'essorage avant d'essorer.
	Programmeur réglé sur Drain (Vidange) ; cycle de vidange impossible avec ce programme.	Si nécessaire, sélectionnez un autre programme.
Résidus de produit lessiviel dans le bac.	Le produit lessiviel était humide ou grumeleux.	Nettoyez et séchez le bac à produits lessiviels ; voir page 51. Servez-vous du capuchon de la bouteille de produit lessiviel pour doser ce dernier.
L'eau n'entre pas dans la machine ou ne pénètre pas dans la cuve. Le voyant « spin » (essorage) est allumé et la mention « E:02 » ou « E:03 » clignote à l'affichage.	Robinet(s) d'eau pas ouvert(s).	Ouvrez le(s) robinet(s) d'eau puis appuyez sur le bouton Start/Pause . Le programme poursuit.
	Tuyau flexible d'alimentation plié ou coincé.	Supprimez-en la cause.
	Cribles de filtrage obstrués dans le tuyau flexible d'alimentation.	Nettoyez les cribles d'arrivée d'eau, voir page 51.
	Pression de l'eau trop faible.	Supprimez-en la cause.

Dérangement	Cause possible	Remède
Eau invisible dans le tambour.	Ce n'est pas un défaut. Le niveau d'eau se situe en-dessous de la partie visible du tambour.	
Le voyant indicateur "rincer" est allumé et le code "E:04" clignote à l'affichage, la cuve ne contenant alors plus d'eau.	Mousse trop ou pompe bouché.	Lors de vos prochaines lessives, utilisez moins de détergent. Les détergents spécialement conçus pour votre lave-linge ultra-performant produisent moins de mousse; les lettres "HE" figurent sur l'emballage. Nettoyez le conduit de vidange d'eau et/ou le flexible de vidange d'eau. Ramenez le programmeur sur «Off» puis faites redémarrer le programme Drain (Vidange).
De l'eau coule sous la machine.	Le filetage du raccord équipant le tuyau flexible d'alimentation n'est pas suffisamment serré. Fuite dans le tuyau flexible de vidange.	Resserrez le filetage du raccord. Remplacez le tuyau flexible de vidange.
Mousse sortant par le bac à produits lessiviels.	Comme vous avez utilisé trop de lessive ou bien de la lessive non homologuée HE, la pompe n'a pas pu enlever la mousse.	Versez 1 cuillerée à soupe d'adoucissant liquide dans 1 pinte (0.5 litre) d'eau puis versez ce mélange dans le compartiment III du bac. Lors de vos prochaines lessives, utilisez moins de détergent. Les détergents spécialement conçus pour votre lave-linge ultra-performant produisent moins de mousse; les lettres "HE" figurent sur l'emballage.
Essorages répétitifs.	Ce n'est pas un défaut. Le circuit d'équilibrage de la charge tente de répartir uniformément le linge et lance dans ce but plusieurs séquences d'essorage.	Chargez toujours le tambour en mélangeant les grandes et petites pièces de linge.
Le linge n'a pas été essoré.	De grandes pièces de linge se sont embrouillées et la machine n'est pas parvenue à les répartir uniformément dans le tambour. Pour des raisons de sécurité, elle a automatiquement supprimé le cycle d'essorage automatique.	Chargez toujours le tambour en mélangeant les grandes et petites pièces de linge.
Allongement de la durée du programme.	Ce n'est pas un défaut. La fonction détectrice de mousse a ajouté un cycle de rinçage supplémentaire pour réduire la quantité de mousse. Ce n'est pas un défaut. Le système d'équilibrage de la charge de linge tente de mieux répartir le linge dans le tambour et lance dans ce but plusieurs séquences d'essorage.	La fois suivante, versez une quantité adéquate de produit lessiviel. Chargez toujours le tambour en mélangeant les grandes et petites pièces de linge.
Résultat de lavage insatisfaisant.	Le linge était plus sale que vous ne le pensiez. Pas assez de produit lessiviel.	Sélectionnez un programme approprié ou Utilisez Heavy duty (Lavage Intensif) comme option supplémentaire. Ajoutez du produit lessiviel en respectant les spécifications du fabricant.

Dérangement	Cause possible	Remède
Présence de résidus de produit lessiviel sur le linge.	Certains produits lessiviels sans phosphate contiennent des résidus insolubles dans l'eau qui se manifestent sous forme de taches claires sur le linge.	Brossez ces taches une fois le linge sec.
Résidus gris sur le linge.	Accumulation de salissures dues à des pommades, matières grasses ou huiles.	Versez la quantité maximale de produit lessiviel puis sélectionnez la plus haute température admise par ce linge.
La machine frémit ou tremble lorsqu'elle passe d'une vitesse d'essorage basse à une vitesse élevée	La suspension du tambour peut se décaler pendant l'accélération. Il ne s'agit pas d'un défaut.	Pour minimiser cet effet, mélangez les petites et grandes pièces de linge dans une charge de linge.

Si vous ne parvenez pas à supprimer le défaut malgré les conseils figurant dans le tableau ci-dessus, attendez 5 secondes, éteignez l'appareil, rallumez-le, sélectionnez le programme et faites-le redémarrer.

Si le défaut persiste, appelez le service après-vente ; voir page 55.

Service Après-Vente (SAV)

Ce lave-linge ne demande aucun entretien particulier autre que les opérations de nettoyage et entretien précédemment mentionnées. Si votre lave-linge vous cause des problèmes, reportez-vous au contenu de la page 53 avant d'appeler le SAV.

Si des opérations de SAV s'avèrent nécessaires, veuillez contacter votre installateur ou un point de SAV agréé. Ne tentez pas de réparer l'appareil par vos propres moyens. Toute réparation accomplie par des personnes non autorisées risque de vous faire perdre le bénéfice de la garantie.

Si le lave-linge vous cause un problème quelconque, et si les prestations reçues ne vous ont pas satisfait :

- ❑ Commencez s.v.p. par contacter votre installateur ou l'entreprise de SAV agréée située dans votre région, et expliquez-lui les raisons de votre mécontentement. Ceci suffira normalement à résoudre le problème.
- ❑ Si le problème persiste après avoir collaboré avec votre installateur ou avec le technicien du SAV, faites-le nous savoir, soit en nous écrivant à l'adresse suivante:

BSH Home Appliances
5551 Mc Fadden Ave.
Huntington Beach, LA 92649,
USA

soit en nous appelant au numéro suivant :
1-800-944-2904

Si vous nous écrivez, n'oubliez pas de joindre / Si vous nous appelez, n'oubliez pas de préparer, les informations suivantes :

- Le numéro du modèle
- Le numéro de série
- La date d'achat d'origine
- La date d'apparition du problème
- Une description du problème

Si vous nous écrivez, veuillez joindre une copie de la facture et nous indiquer un numéro de téléphone où nous pouvons vous joindre dans la journée. Vous trouverez le numéro du modèle et le numéro de série sur la plaque signalétique. Cette plaque se trouve sur la partie du capot du lave-linge visible une fois le hublot ouvert.



ENONCE DE GARANTIE LINMITEE DES PRODUITS

Ce que couvre cette garantie et à qui elle s'applique

La garantie limitée fournie par BSH Home Appliances ("Bosch") dans le présent énoncé de garantie limitée des produits s'applique uniquement à/aux Bosch Essence washer (le "produit") qui vous est vendu, soit le premier acheteur à l'utiliser, à la condition que le produit ait été acheté: 1) pour votre usage domestique normal (non commercial) et qu'il ait effectivement en tout temps été utilisé uniquement à des fins domestiques normales; 2) à l'état neuf au détail (et non comme un modèle d'exposition, "te quel" ou ayant déjà été retourné), st non à des fins de revente ou d'utilisation commerciale; et 3) aux Etats-Unis ou au Canada, et qu'il soit en tout temps demeuré dans le pays de l'achat initial. Les garanties énoncées dans les présentes s'appliquent uniquement à l'acheteur initial du produit et ne sont pas cessibles.

i Assurez-vous de retourner votre carte d'enregistrement; bein que ce ne soit pas nécessaire de le faire pour que la garantie soit valide, c'est la meilleure façon de permettre à Bosch de vous informer dans l'éventualité improbable d'un avis de sécurité ou d'un rappel de produit.

Durée de la garantie Bosch garantit que le produit est exempt de vice de matériel ou de malfaçon pendant une période de 365 jours à compter de la date l'achat. Cette durée commence à courir à la date de l'achat st ne doit pas pour quelque raison que ce soit être différée, faire l'objet de droits, être prolongée ou interrompue.

Votre recours exclusif se linite à la réparation ou au remplacement:

Pendant la période de la présente garantie Bosch ou l'un de ses fournisseurs de service après-vente agréés réparera votre produit sans frais (sous réserve de certaines restrictions précisées dans les présentes) s'il démontré que la fabrication de votre produit présente un vice de matériel ou de malfaçon. Si des tentatives raisonnables de réparation du produit ont été faites sans succès, alors Bosch remplacera votre produit (des modèles améliorés peuvent vous être offerts, au gré absolu de Bosch moyennant des frais supplémentaires). Toutes les pièces et tous les composants enlevés deviennent la propriété de Bosch a son gre absolu. Toutes les pièces remplacées et/ou réparées sont assimilables à la pièce d'origine aux

fins de la présente garantie, cette dernière n'étant pas prolongée en ce qui concerne de telles pièces. L'unique responsabilité de Bosch prévue aux présentes consiste à réparer un produit comportant un vice de fabrication uniquement, en ayant recours à un fournisseur de service après-vente agréé de Bosch pendant les heures normales d'ouverture. Pour des questions de sécurité et pour éviter tout dommage matériel, Bosch vous recommande fortement de ne pas tenter de réparer vous-même le produit ou d'avoir recours à un réparateur non agréé; Bosch ne sera pas responsable des réparations ou du travail effectués par un fournisseur de service non agréé. Si vous choisissez de demander une personne qui n'est pas un fournisseur de service après-vente de travailler sur votre produit, **LA PRÉSENTE GARANTIE DEVIENDRA AUTOMATIQUEMENT NULLE ET SANS-EFFET**. Les fournisseurs de service après-vente agréés sont des personnes ou des sociétés ayant reçu une formation spéciale pour les produits de Bosch et qui jouissent, de l'avis de Bosch d'une réputation supérieure en matière de service à la clientèle et de compétences techniques (veuillez noter qu'il s'agit d'entités indépendants et non de mandataires, d'associés, de membres du groupe ou de représentants de Bosch. Malgré ce qui précède, Bosch n'assumera aucune responsabilité à l'égard du produit s'il se trouve dans une région éloigné (à plus de 100 miles d'un fournisseur de service après-vente agréé) ou s'il est raisonnablement inaccessible, s'il se trouve dans un lieu, un milieu ou un environnement dangereux ou traître, auquel cas, si vous le demandez, Bosch paiera quand même la main-d'oeuvre et les pièces et ex pédiera les pièces au fournisseur de service après-vente agréé le plus proche, mais vous demeurerez quand même antièrement responsable des frais de déplacement ou autres frais spéciaux demandés par la société qui fournit le service après-vente, dans l'hypothèse où elle accepte de faire un déplacement pour effectuer la réparation.

Produit qui n'est plus couvert par la garantie: Bosch n'est pas tenue, en droit ou autrement, de vous consentir quoi que ce soit, y compris des réparations, des tarifs proportionnels ou un remplacement de produit, après l'expiration de la présente garantie.

Exclusions de la garantie: La garantie décrite aux présentes exclut tous les défauts ou dommages qui ne

résultent pas de la faute directe de Bosch, y compris, notamment, un ou plusieurs des éléments suivants: 1) l'utilisation du produit à toute autre fin que son usage normal, habituel et prévu (y compris, notamment, toute forme d'usage commercial, l'usage ou l'entreposage à l'extérieur de produits devant être utilisés à l'intérieur, l'utilisation du produit conjointement avec des aéronefs ou des bateaux); 2) l'inconduite volontaire, la négligence, la mauvaise stilisation, l'utilisation, abusive, les accidentes, la négligence, le fonctionnement inapproprié, le défaut d'entretenir, l'installation inappropriée ou négligente, l'altération, le défaut de suivre les directives d'utilisation, la manipulation sans précaution, le service non autorisé (y compris la réparation effectuée soi-même ou l'exploration des mécanismes internes de l'appareil) de la part de tout partie; 3) l'ajustement ou la modification de tout sorte; 4) le non-respect des codes, règlements ou lois étatiques, locaux, municipaux ou de comté régissant l'électricité, la plomberie et/ou le bâtiment, y compris le défaut d'installer le produit dans le respect le plus strict des codes st règlements en matière d'incendie et de bâtiment; 5) l'usure normale, le renversement d'aliments, de liquides, les accumulations de graisse ou les autres sustances qui s'accumulent sur le produit à l'intérieur ou autour de celui-ci; 6) les forces st facteurs externes, des éléments et/ou de l'environnement, y compris, notamment, la pluie, le vent, le sable, l'inondation, l'incendie, les glissements de terrian, les températures au-dessous du point de congélation, l'humidité excessive ou l'exosition prolongée à humidité, la foundre, la surtension électricigie, les défauts des structures qui entourent l'appareil et les cas de force majeure. Bosch ne sera en aucun cas responsable de quelque manière que ce soit des dommages occasionnés aux biens environnants, y compris les armoires de rangement, les planchers, les plafonds st les autres structures ou objets qui se trouvent autour du produit. Sont égakement exclus de la présente garantie les égratignures, les encoches, les bosselures et les dommages touchant l'apparence des surfaces externes st des pièces exposées; les produits dont les numéros de série ont été modifiés, rendus illisibles ou enlevés; les déplacements du personnel de service après-vents pour vous enseigner comment utiliser le produit, ou les déplacements lorsque le produit ne présente aucun problè-mes

d'installation (vous êtes seul responsable de toute structure et de la mise en place du produit, y compris les installations électriques, de plomberie ou autres installations de raccordement, de la mise en place de fondations ou d'un parquet appropriés, et de toute modification devant notamment être apportée aux armoires de rangement, murs, planchers, rayonnages, etc.); ainsi que le réglage des disjoncteurs ou des fusibles.

DANS LA MESURE OÙ LA LOI L'AUTORISE, LA PRÉSENTE GARANTIE INDIQUE VOS RECOURS EXCLUSIFS EN CE QUI CONCERNE LE PRODUIT, PEU INPORTE SI LA RÉCLAMATION EST DE NATURE CONTRACTUELLE OU DÉLICTELLE (Y COMPRIS LA RESPONSABILITÉ ABSOLUE OU LA NÉGLIGENCE) OU AUTRE. LA PRÉSENTE GARANTIE REMPLACE TOUTES LES AUTRES GARANTIES, EXPRESSES OU IMPLICITES TOUTE GARANTIE IMPLICITE EN VERTU DE LA LOI, QUE CE SOIT À DES FINS DE QUALITÉ MARCHANDE OU D'ADAPTATION À UN BUT PARATICULIER, OU AUTREMENT, EST EN VIGUEUR UNIQUEMENT PENDANT LA PÉRIODE AU COURS DE LAQUELLE LA PRÉSENTE GARANTIE LIMITÉE EXPRESSE EST EN VIGUEUR. LE FABRICANT NE SERA EN AUCUN CAN RESPONSABLE DES DOMMAGES, PERTES OU FRAIS CONSÉCUTIFS, PARTICULIERS, ACCESSOIRES, INDIRECTS ET/OU PUNTIFS, DES "PERTES COMMERCIALES", Y COMPRIS, NOTAMMENT, LE TEMPS D'ABSENCE AU TRAVAIL, L'HÉBERGEMENT ET/OU LES REPAS AU RESTAURANT, LES FRAIS DE REMODELAGE EN EXCÉDENT DES DOMMAGES DIRECTS QUI SONT CAUSÉS DÉFINITIVEMENT ET EXCLUSIVE PAR BOSCH, OU AUTREMENT. CERTAINS ÉTATA NE PERMETTENT PAS L'EXCLUSION OU LA LIMITATION DES DOMMAGES ACCESSOIRES OU CONSÉCUTIFS.

ET CERTIANS ÉTATS NE PERMETTENT PAS QUE DES LINITES SOIENT IMPOSÉES À LA DURÉE D'UNE GARANTIE IMPLICITE, DE SORTE QUE LES LIMITATIONS INDIQUÉES PLUS HAUTS PEUVENT NE PAS S'APPLIQUER À VOUS. LA PRÉSENTE GARANTIE VOUS DONNE DES DROITS JURIDIQUES PARTICULIERS ET VOUS POUVEZ AUSSI AVOIR D'AUTRES DROITS QUI VARIENT D'UN ÉTAT À L'AUTRE. Aucune tentative de modifier la présente garatie n'a d'effet à moins d'être autorisée par écrit par un dirigeant de BSH.

Comment obtenir un service au titre de la garatie: Pour obtenir un service au titre de la garantie pour votre produit, vous devriez communiquer avec le centre de service après-vente agréé le plus proche de Bosch.
BSH Home Appliances –
5551 McFadden Avenue, Huntington Beach, Californie 92649
1-800-944-2904

DECLARATION DES GARANTIES LAVE-LINGE BOSCH

Les garanties fournies par BSH Home Appliances (ci-après dénommé «Bosch») dans la présente déclaration s'appliquent exclusivement aux

lave-linge Bosch vendus au consommateur en fin de chaîne par Bosch ou par ses revendeurs agréés, ses détaillants ou centres de service

après-vente, aux Etats-Unis ou au Canada. Les garanties figurant dans cette déclaration ne sont pas transférables.

DUREE DE LA GARANTIE	ETENDUE DE LA GARANTIE
1 an de garantie limitée complète à compter de la date d'installation*	Bosch réparera ou remplacera gratuitement toute pièce s'avérant défectueuse dans les conditions normales d'utilisation domestique, frais d'expédition inclus. Les réparations sous garantie devront être effectuées par un Centre Bosch du Service Après-Vente (SAV) (pièces superficielles exclues).
2 ans de garantie limitée à compter de la date d'installation*	Bosch fournira gratuitement les pièces de rechange de toute pièce s'avérant défectueuse dans les conditions normales d'utilisation domestiques, frais d'expéditions inclus.
2 ans de garantie limitée sur l'électronique à compter de la date d'installation*	Bosch réparera ou remplacera gratuitement tout microprocesseur ou carte à circuits imprimés s'avérant défectueux(e) dans les conditions normales d'utilisation domestique, sur une période de deux ans courant depuis la date d'installation d'origine, frais de main-d'oeuvre exclus.
2 ans de garantie limitée sur le moteur à compter de la date d'installation*	Bosch réparera ou remplacera gratuitement tout moteur ou composant du moteur s'avérant défectueux dans les conditions normales d'utilisation domestique, sur une période de deux ans courant depuis la date d'installation d'origine, frais de main-d'oeuvre exclus.
* La date d'installation sera réputée la plus précoce des deux dates suivantes : soit la date à laquelle le lave-linge a été installé, soit dix jours ouvrables après la date de livraison.	

Exclusions de garantie

La présente garantie ne couvre pas les appels du SAV et les réparations nécessaires pour rectifier l'installation du lave-linge, pour fournir des instructions sur l'utilisation de cet appareil, pour remplacer les fusibles /disjoncteurs ou vos lignes électriques domestiques, ou pour réparer un lave-linge qui a été utilisé d'une façon non conforme au mode d'utilisation domestique normal ou habituel.

En outre, les garanties fournies dans la présente déclaration excluent tout défaut ou dommage engendré par un accident, une modification, une utilisation inexperte ou abusive, une installation incorrecte, des travaux d'entretien par des personnes non autorisées, et des facteurs externes échappant à toute influence de Bosch tels qu'un incendie, une inondation et la force majeure, ou une installation non conforme avec la réglementation locale applicable aux lignes électriques et aux fusibles de protection.

Les frais de main-d'oeuvre engendrés par les réparations ou le remplacement de tout lave-linge après une période d'un an courant depuis la date d'installation ne seront plus couverts par la présente garantie. Toutes pièces remplacées et/ou réparées acquerront le statut des pièces d'origine aux fins de la période de garantie applicable : elles n'engendreront aucune prolongation de la période de garantie. SAUF EXCEPTION LEGALE, LA PRESENTE GARANTIE REMPLACE TOUTES AUTRES GARANTIES EXPLICITES OU IMPLICITES, Y COMPRIS LES GARANTIES IMPLICITES DE COMMERCIALISABILITE ET D'ADEQUATION A UN BUT PRECIS. Bosch DECLINE TOUTE RESPONSABILITE DES DOMMAGES ACCESSOIRES ET CONSECUTIFS.

POUR BENEFICIER DES PRESTATIONS EN GARANTIE, VEUILLEZ CONTACTER LE CENTRE DE SERVICE APRES-VENTE LE PLUS PROCHE OU APPELEZ LE 1-800-944-2904, OU ECRIVEZ A L'ADRESSE SUIVANTE : BSH HOME APPLICANCES ATTN. SERVICE 5551 MC FADDEN AVE. HUNTINGTON BEACH CA 92649 VEUILLEZ A BIEN INDIQUER LE NUMERO DU MODELE DE LAVE-LINGE, SON NUMERO DE SERIE, LA DATE D'ACHAT, LE NOM ET L'ADRESSE DU REVENDEUR, LA DATE A LAQUELLE LE PROBLEME S'EST PRODUIT, UNE EXPLICATION DU PROBLEME, UN NUMERO OU NOUS POURRONS VOUS JOINDRE DANS LA JOURNEE, ET UNE COPIE DE LA FACTURE.



Tableau de sélection des programmes Nexxt 300 Série

Veuillez lire la notice d'installation, d'utilisation et de maintenance avant d'utiliser la machine.

BOSCH

Type de linge Tenez compte de l'étiquette d'entretien		Programme*	Température en °F (°C)	Durée du programme en minutes (env.)	Options (temps en +/-, en minutes)(env.)				Quantité maximale de linge:
					Lavage intensif (pour linge très sale)	Rinse plus (Niveau plus)	Blanchiment	sans essorage final (Vitesse d'essorage)	
Textiles solides en coton ou en lin 	grand tient	Regular/Cotton Hot	125 (52)	60	+40			-16	Pleine charge
	risquant de dêteindre	Regular/Cotton Warm	95 (35)	60					
		Regular/Cotton Cold	60 (15)	60					
Textiles d'entretien facile, en coton, synthétiques ou es tissu mixte 	grand tient	Kid's Care	150 (66)	120	+30	+10	+12	- 17	1/2 charge
	risquant de dêteindre	Permanent Press Warm	95 (35)	56					
		Permanent Press Cold	60 (15)	56					
Textiles délicats faciles à entretenir (pièces de linge volumineuses)		Delicates/Silk	90 (32)	41	+10	+7		- 8	1/3 charge
Textiles très délicats, faciles à entretenir 		Hand Wash	75 (27)	26				- 3	

Options

Programmeur	Remarques / Utilisation	Durée du programme, en minutes (env.)
Soak (Rinçage)	Rinçage pour textiles non sales (aussi avec produit assouplissant). Le rinçage prend fin avec un essorage court.	120
Spin (Essorage)	Essorage du linge lavé à la main. La vidange du bain lessiviel a lieu avant l'essorage.	9
Drain (Vidange)	Vidange de l'eau de rinçage après un programme <Sans essorage final>.	2

* La durée du programme peut différer des valeurs suivant la pression et la qualité de l'eau, le type et la quantité de linge, en fonction aussi du produit lessiviel utilisé.

Características y ventajas de los nueva lavadora

Tecnología SENSOTRONIC®

La tecnología SENSOTRONIC® optimiza el proceso de lavado en absolutamente todas las etapas del ciclo de lavado, midiendo el tamaño de la carga, el nivel de agua y la temperatura necesaria para un resultado mejor. Los sensores digitales cuidan las prendas incluyendo lana, tela de angora y seda. Esta máquina trabaja virtualmente al pulsar el botón.

Sistema exclusivo de bisagra y junta

Una bisagra reforzada y una junta de diseño nuevo y revolucionario, mantienen la puerta cerrada. El sellado también es seguro a altas temperaturas, permitiendo que su ropa alcance las temperatura sanitaria óptima de 155° F, que elimina aún las manchas más persistentes.

Surtidor de agente de lavado de 3 compartimientos

Un surtidor de agente de lavado de 3 compartimientos distribuye automáticamente la cantidad adecuada de agente de lavado, blanqueador y suavizador. Trabajando en forma conjunta con nuestro sensor único de espuma, puede usted estar seguro que su ropa queda perfectamente limpia después del aclarado.

Ciclo KIDSCARE™

Ce sont habituellement les plus jeunes occupants de la maison qui sont à l'origine des taches les plus tenaces. Ce cycle porte l'eau jusqu'à 150° F pour enlever facilement les tâches même les plus rebelles.

Paletas Del Archie

Durante el lavado, la ropa da volteretas suavemente, mientras que las paletas Archie hacen correr el agua desde arriba, arastrando la espuma, proporcionando a su ropa una limpieza total. El tambro inclinado, ayuda a que hasta la última camisa se vea tratada correctamente.

Tambores de acero inoxidable

El tambor de lavado Nexxt™ tiene centenas de orificios de bordes redoblados, que permiten a sus prendas rodar suavemente sin presentar enganches.

Calentador de agua interno

Un elemento calentador de agua interno calienta el agua hasta 150° F, mientras que un sensor digital de temperatura controla la temperatura del agua. Las lavadoras Nexxt® de Bosch proveen el calentamiento de agua más eficiente y preciso para cada tipo de tejido.

Funcionamiento silenciosos

Los electrodomésticos de lavado de ropa de Bosch utilizan motores libres de escobillas, sistemas de bombas suspendidas y materiales de aislamiento acústico, a fin de lograr una marcha silenciosa. Esto quiere decir, que puede instalárselos prácticamente en cualquier sitio del hogar, sin que produzcan perturbaciones.

Tecnología SYNCRO™

Administre sus tiempos de lavado y secado mediante la lógica operacional SYNCRO™. Los secadores Nexxt™ se coordinan con la velocidad de giro de la lavadora, según el tipo de tejido y la temperatura del agua ajustadas para su carga de lavado. De esta forma, no se amontona la ropa de lavado mientras usted espera que el secador termine su ciclo.

Índice

Definiciones	62
INSTRUCCIONES IMPORTANTES DE SEGURIDAD	62
INSTRUCCIONES PARA LA PUESTA A TIERRA	64
INSTRUCCIONES PARA LA INSTALACIÓN	64
Introducción	64
Información sobre eliminación de residuos	64
Sobre protección y conservación del medio ambiente	64
Aplicación	65
Equipamiento suministrado de fábrica	65
Medidas	65
Zona de instalación	65
Sacar los tornillos de transporte	66
Longitudes de cables y mangueras	67
Conexión de agua	67
Conexión eléctrica	68
Procedimiento de nivelación	69
Transporte como en el caso de mudanza	70
INSTRUCCIONES DE FUNCIONAMIENTO	71
Su nueva lavadora	71
Panel de control	72
Resumen de instrucciones	73
Antes del primer uso	74
Primer uso	74
Primer ciclo de lavado (sin ropa)	74
Preparar la ropa	74
Seleccionar la ropa	74
Grados de suciedad	74
Cargar la ropa	75
Ropa Detergentes y aditivos	76
Uso de la cantidad de detergente adecuada	76
Carga de la ropa, el detergente y/o los aditivos	76
Pérdida de color	76
Programas y funciones	76
Programas básico	76
Programas especiales	76
Modificadores	77
Botones para seleccionar las opciones	77
Señal acústica	78
Luz indicadora encima del botón "Start/Pause" (Arranque/Pausa)	78
Características especiales	78
Lavado	79
Durante el lavado	79
Cambios de programa	79
Agregar una prenda o interrumpir el programa	80
Cancelación de un programa activo	80
Después del lavado	80
Limpieza y cuidado	81
Limpiar la lavadora	81
Descalcificación de la máquina de lavar	82
Localización de fallos menores	83
Servicio a clientes	85
DECLARACIÓN DE GARANTÍA LIMITADA	86
DECLARACIÓN DE GARANTÍA PARA LAVADORAS BOSCH	88
Exclusiones	88
Tabla de selección de los programas	91

La nueva máquina de lavar que usted acaba de adquirir es un equipo doméstico moderno de alta calidad. Esta moderna máquina de lavar limpia su ropa usando los procesos de lavado más sofisticados para obtener los mejores resultados de limpieza.

Una fabricación e ingeniería excelentes, reducen significativamente los costos de operación.

Una filosofía fácil en el manejo, una gran variedad de programas de lavado y una sensación de solidez, hacen de esta lavadora un asistente-sumamente útil en su hogar.

Ofrece las siguientes propiedades:

- Bajo nivel de ruidos durante el lavado y centrifugado.
- Puerta elevada con cerradura magnética.
- La puerta abre 16 pulgadas (41 cm) mediante una bisagra robusta que permite girar un ángulo de 180°.
- Capacidad del tambor de 17.6 lbs (8 kg) para algodón normal.

Toda máquina de lavar que deja nuestra planta, ha aprobado un control de performance realístico y está en perfectas condiciones de funcionamiento.

El electrodoméstico puede contener vestigios de agua debido a los procedimientos de control. Si Vd. tiene cualquier duda respecto de la instalación de la máquina de lavar, nuestro servicio a clientes lo asesorará gustosamente.

En nuestra página de web, encontrará más información referida a nuestros productos y su selección: [www. boschappliances.com](http://www.boschappliances.com)

Rogamos leer y seguir estas instrucciones de funcionamiento e instalación conjuntamente con todas aquellas informaciones entregadas con nuestra máquina de lavar.

Estas instrucciones de funcionamiento e instalación describen diferentes modelos. Las diferencias se describen en los sitios correspondientes.

Las ilustraciones pueden visualizar detalles diferentes al modelo adquirido por Vd.

Definiciones



ADVERTENCIA



ADVERTENCIA – Esto significa que puede resultar la muerte o lesiones graves debido a la inobservancia de esta advertencia.



CUIDADO

CUIDADO – Esto significa que pueden resultar lesiones debido a la inobservancia de esta advertencia.

CUIDADO

CUIDADO – Esto significa que pueden resultar daños debido a la inobservancia de esta advertencia.



Este símbolo se utiliza para llamar la atención del usuario respecto de algo en particular.

⚠ INSTRUCCIONES IMPORTANTES DE SEGURIDAD



ADVERTENCIA



Para reducir el peligro de incendio, descargas eléctricas, lastimaduras de gravedad o muerte al emplear su lavadora, tome las siguientes precauciones:

1. Las lavadoras BOSCH se suministran con un manual que incluye instrucciones de funcionamiento, de mantenimiento e instalación. Leer todas las instrucciones antes de utilizar la lavadora.
2. No lavar artículos que previamente hayan sido limpiados, lavados, remojados o desmanchados con gasolina, solventes para limpieza a seco, otras sustancias inflamables o explosivas, ya que se producen vapores que pueden inflamarse o explotar.
3. No agregue gasolina, solventes para limpieza a seco u otras

sustancias inflamables o explosivas al agua de lavado. Se producen vapores que pueden inflamarse o explotar.

4. Bajo ciertas condiciones puede producirse hidrógeno gaseoso en un sistema de agua caliente que no haya sido utilizado por dos o más semanas. **EL HIDROGENO ES EXPLOSIVO.** Si el sistema de agua caliente no ha sido utilizado durante tal período, abrir todos los grifos de agua caliente y dejar fluir el agua durante varios minutos antes de utilizar la lavadora. Esto eliminará el hidrógeno que se hubiera acumulado. No fumar ni utilizar una llama abierta durante esta operación, ya que el gas es inflamable.
5. Antes de retirar la máquina de servicio o deshacerse de ella, saque la puerta y el cable de conexión a la red.

6. No introducir las manos en la lavadora si el tambor está moviéndose.
7. No instalar o dejar la lavadora en un lugar donde esté expuesta a la intemperie.
8. No manipular los controles.
9. No reparar o reemplazar ninguna parte de la lavadora ni intentar cualquier tipo de servicio a menos que haya sido recomendado en las instrucciones de mantenimiento o en instrucciones de reparación para usuarios, que se hayan comprendido plenamente y para las que se disponga de habilidad.
10. Asegúrese siempre que la máquina de lavar esté desenchufada de la línea de alimentación, antes de realizar tareas de mantenimiento o servicio. Desconecte el cable de alimentación tomándolo del

tomacorriente y no del cable mismo.

11. A fin de reducir el peligro de incendios, las prendas, los paños para la limpieza, los estropajos y objetos por el estilo, que se haya ensuciado con sustancias inflamables de cualquier tipo como aceites vegetales, aceite de cocina, aceites en base a petróleo o sus destilados, ceras, grasas, etc, deben mantenerse alejados de fuentes de ignición, incluyendo secadores de ropa. Estos artículos pueden contener sustancias inflamables después de haber sido lavados, que pueden desarrollar humos o incendiarse por sí mismas.
12. No lavar a máquina materiales que contengan fibra de vidrio (muchas cortinas y doseles tienen materiales a base de fibra de vidrio). Pueden permanecer pequeñas partículas en la máquina que se adhieren a las prendas de cargas sucesivas, causando irritación de la piel.
13. Cuando los niños llegan a una edad adecuada para operar equipos electrodomésticos, es responsabilidad legal de los padres o reponsables legales, hacerlos instruir por personal adecuadamente calificado respecto de las medidas de seguridad correspondientes.
14. No permita que los niños jueguen en o con la lavadora. Debe ejercerse una supervisión estricta cuando éstos se encuentran cerca de la lavadora.
15. Mantener alejados a los animales domésticos.
16. No conectar o desconectar el enchufe principal con las manos mojadas o húmedas.
17. No tocar la puerta al lavar a alta temperatura.
18. Tener precaución al desaguar el agua caliente.
19. No subirse a la máquina ni apoyarse en la puerta de carga abierta.
20. No sentarse sobre la máquina.
21. A fin de reducir el peligro de incendio y descargas eléctricas NO usar una extensión o un

adaptador para conectar la lavadora a la red.

22. La máquina debe emplearse sólo para lo que ha sido diseñada.
23. Seguir las instrucciones de lavado que recomienda el fabricante de la prenda a lavar.
24. No utilice la lavadora si el cable de alimentación presenta daños o el enchufe está suelto. Si este fuera el caso, póngase en contacto con un agente autorizado..
25. Asegurarse de que todas las conexiones de agua a la máquina estén provistas de válvulas de cierre y que dichas válvulas sean de fácil acceso. Cierre las válvulas de alimentación al terminar cada día de lavado.
26. Verificar las conexiones de las mangueras regularmente para asegurarse de que están bien ajustadas y que no pierden.
27. Siempre se deben leer las instrucciones del fabricante del detergente, agente de limpieza, acondicionadores y eliminadores de estática que se empleen. Prestar atención a las advertencias y precauciones.
28. Almacenar los agentes de limpieza en lugar fresco y seco de acuerdo con las instrucciones del fabricante.
29. Para reducir el riesgo de envenenamiento o quemaduras químicas mantener todos los productos de limpieza fuera del alcance de los niños.
30. No poner la máquina en funcionamiento estando sin los paneles y/o protecciones o sujeciones colocadas, exceptuando los pernos de transporte.
31. No hacer funcionar la lavadora si tiene partes deterioradas o le faltan partes.
32. No puentear ningún dispositivo de seguridad.
33. Para evitar daños en el suelo o que crezca el moho, no deben producirse derrames o salpicaduras de agua que generen charcos alrededor de, o debajo de la máquina.

34. No poner la lavadora en funcionamiento hasta asegurarse de que:
 - a. haya sido instalada de acuerdo con las INSTRUCCIONES DE INSTALACIÓN.
 - b. todas las conexiones de agua, desagüe, a la red eléctrica y a tierra estén de acuerdo con las normas locales y/o otras normas aplicables.
35. Instalar, mantener y/o hacer funcionar la lavadora en desacuerdo con las instrucciones del fabricante puede producir situaciones que conduzcan a lesiones corporales y/o daños materiales.
36. Desmontando cualquier de los paneles, incluyendo el panel de manejo redondo ubicado en el frente, pueden quedar expuestos cantos y puntos filosos, conexiones eléctricas y superficies calientes.
37. Con objeto de no ocasionar daños en la puerta de carga del aparato durante los desplazamientos del mismo, no deberá presionarse contra la puerta. Con objeto de evitar daños en el fondo del aparato deberán tomarse medidas precaución adecuadas.
38. Conectar el aparato a la red de agua y verificar dichas conexiones antes de acoplarlo a la red eléctrica.

Notas:

- A. Las INSTRUCCIONES IMPORTANTES DE SEGURIDAD y los LLAMADOS DE ATENCIÓN que se presentan en este manual no cubren todas las situaciones posibles que pueden tener lugar. Deben aplicarse el sentido común, precaución y cuidado al instalar, mantener o hacer funcionar la lavadora.
- B. Consultar siempre con el comerciante, distribuidor, agente de servicio o fabricante cualquier problema o bien condiciones que no se han comprendido completamente.

INSTRUCCIONES PARA LA PUESTA A TIERRA

El electrodoméstico debe conectarse a tierra. En caso de fallos en el funcionamiento o roturas, la conexión a tierra reduce el riesgo de descargas eléctricas, presentando una vía de baja resistencia por la que puede fluir la corriente.

Este electrodoméstico está provisto de un cable de conexión con un conductor de tierra y el tomacorriente con la toma de tierra correspondiente. El tomacorriente debe conectarse en un enchufe adecuado que esté de acuerdo con todos los reglamentos y ordenanzas locales.



ADVERTENCIA



La conexión inadecuada de la puesta a tierra de este equipo puede conducir a un riesgo elevado de descargas eléctricas.

Conectar a una rama del circuito individual.

Haga controlar la instalación por un electricista calificado si tiene dudas, a fin de determinar que la lavadora esté correctamente conectada a tierra.

NO modifique el enchufe suministrado con la lavadora. Si no es adecuado al tomacorriente, haga instalar un tomacorriente adecuado por un electricista calificado.

CONSERVE ESTAS INSTRUCCIONES PARA CONSULTAS POSTERIORES.

En caso de un cambio de propietario, este manual debe entregarse conjuntamente con la lavadora.

CONSERVE ESTAS INSTRUCCIONES

INSTRUCCIONES PARA LA INSTALACIÓN

Introducción



CUIDADO

PARA EVITAR RIESGO DE LESIONES
La máquina de lavar es pesada.
Levantar con cuidado.

Asegúrese de tener en cuenta todas las advertencias y precauciones.

CUIDADO

Mangueras congeladas pueden rajarse o quebrarse. No instalar la máquina de lavar en el exterior o en un zona donde esté expuesta a temperaturas por debajo del punto de congelación.

Estas instrucciones para la instalación están destinadas para ser usadas por personal calificado. Adicionalmente deben tenerse en cuenta:

- en los Estados Unidos, el National Electric Code, ANSI/NFPA70 en su última edición y las reglas municipales y/o locales vigentes.
- En Canadá, el Canadian Electrical Code C22.1 en su última edición y las reglas municipales y/o locales vigentes.

Si la máquina de lavar se va a instalar en una ambiente expuesto a temperaturas por debajo del punto de congelación, o si va a estar instalada en una cabina cerrada durante el tiempo invernal, **deben** eliminarse todos los vestigios de agua contenidos en las mangueras de acceso.

Cuide de no dañar la máquina de lavar. No sujete el equipo de partes protuberantes (p. ej. la puerta) cuando lo levante.

Adicionalmente a las instrucciones de seguridad listadas aquí, el proveedor de agua y energía local pueden tener requerimientos especiales.

En caso de dudas, haga conectar el electrodoméstico por un técnico autorizado.

Información sobre eliminación de residuos

Eliminación del embalaje

El embalaje suministrado ha protegido su nueva máquina durante el transporte hasta su hogar. Todos los materiales que forman parte del embalaje son bien soportados por el medio ambiente y reciclables. Contribuya a mejorar el medio ambiente eliminando los materiales del embalaje de una manera consciente. Rogamos consulte con su vendedor o la autoridad correspondiente respecto de la mejor manera de eliminación.



ADVERTENCIA



Mantenga alejados a los niños tanto del cartón como de los demás componentes del embalaje. Existe peligro de asfixia con la lámina plástica y con los cartones plegados.

Eliminación de su vieja máquina

¡Los viejos artefactos domésticos no son basura inservible! Un reciclaje consciente del medio ambiente puede regenerar valiosas materias primas.



ADVERTENCIA



En los artefactos que se van a poner fuera de servicio, desconecte el enchufe principal, corte el cable de red y elimine el cable junto con el enchufe.

Para prevenir que los niños al jugar se pongan en peligro al quedar atrapados, asegurarse de que el mecanismo de cierre de la puerta esté desactivado o desmonte la puerta.

Sobre protección y conservación del medio ambiente

Su lavadora utiliza agua, energía y detergente eficientemente, protegiendo al medio ambiente y reduciendo los costos de su hogar.

Al usar su lavadora de una manera eficiente y a la vez respetuosa con el medio ambiente:

- Evite usar demasiado detergente.
- Utilice detergentes que posean el símbolo HE para un rendimiento elevado lavadoras de carga frontal.
- Agregue el detergente de acuerdo al grado de suciedad, cantidad de ropa y dureza del agua y siga las instrucciones del fabricante del producto.

Aplicación

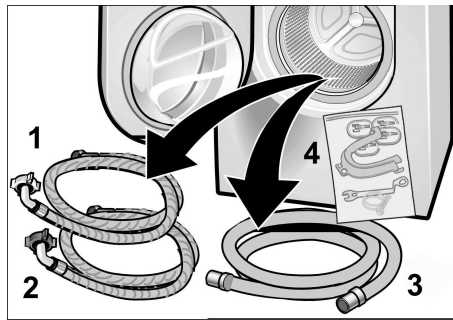
Su lavadora está diseñada:

- exclusivamente para uso doméstico.
- para lavar ropa que se puede lavar a máquina, en agua.
- para funcionar con agua corriente fría y caliente (140 °F/60 °C) y con detergentes para ropa convencionales y aditivos que sean apropiados para usar en máquinas lavadoras.

Equipamiento suministrado de fábrica

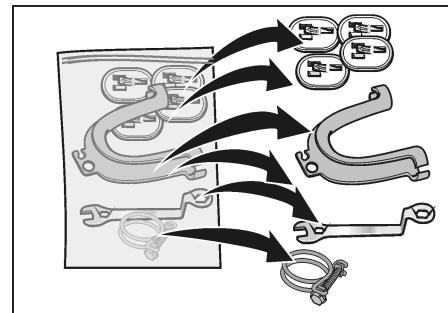
Existe un juego de partes accesorias que se suministran conjuntamente con la máquina. Controle que ha recibido todas estas partes correspondiente al modelo de máquina adquirido. Si faltan partes, contacte inmediatamente a su vendedor.

Dentro del tambor se encuentran:



1. Manguera de alimentación de agua para agua fría (marca azul).
2. Manguera de alimentación de agua para agua caliente (marca roja).
3. Manguera de evacuación para el agua.
4. Bolsa de los accesorios (véase más abajo)

La bolsa de accesorios contiene:



1. Cubiertas para cubrir los orificios para los pernos de transporte (una vez quitados éstos).
2. Un codo para sujetar la manguera de salida de agua, p. ej. a un lavabo.
3. Una llave para nivelar.

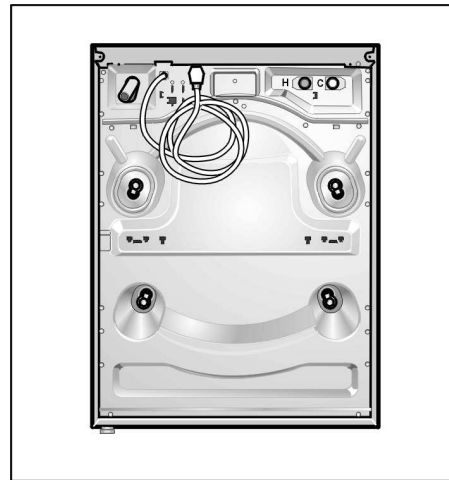
4. Una abrazadera para la manguera de salida del agua.

Según el tipo de conexión, también se requiere de:

- Una conexión en Y (se consigue en los negocios del ramo) en caso que solo se disponga de una conexión de agua.

Toda humedad residual dentro del tambor, se debe a los controles finales a que se somete toda máquina de lavar antes de que abandona la fábrica.

Sobre la parte posterior del electrodoméstico:



- El cable de conexión con el enchufe correspondiente.

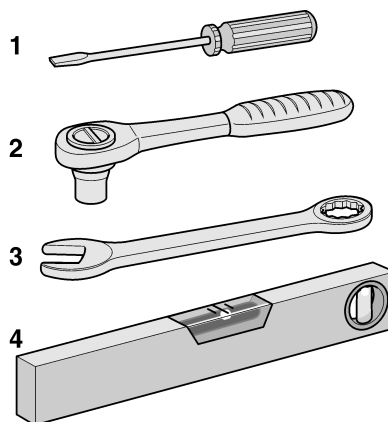
C = conexión de agua fría

H = conexión de agua caliente

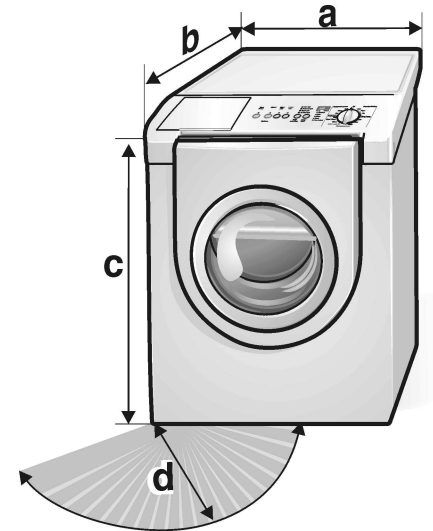
Herramientas útiles

Las siguientes herramientas ayudan en la tarea:

1. un destornillador plano.
2. Llave de vaso (1/2" / 13 mm)
3. una llave cerrada (1/2"/13 mm).
4. un nivel.



Medidas



a = 27.0 pulgadas (686 mm)

b = 30.7 pulgadas (780 mm)

c = 37.0 pulgadas (940 mm)

d = 16.0 pulgadas (407 mm)

Ángulo de apertura de la puerta: 180°

Peso aprox. = 220 lbs (100 kg.)

Zona de instalación

⚠ **ADVERTENCIA** ⚠

Nunca conecte la toma de tierra a tuberías de plástico, líneas de transporte de gas o de agua caliente.

Este electrodoméstico debe instalarse sobre un piso firme correctamente nivelado debido a las altas velocidades de centrifugado seleccionables. Si se instala la máquina sobre un piso de madera o sobre un entarimado o en un sobrepiso, debe reforzarse. Los ruidos, las vibraciones y el riesgo de que la máquina "camine", se ven afectados por la estructura y estabilidad del suelo donde se la instala.

Si la máquina de lavar debe instalarse sobre un piso de madera, debe tenerse en cuenta lo siguiente:

- I es posible, coloque la máquina de lavar en un rincón de la habitación.
- Atornille una tabla de madera resistente al agua (como mínimo 3/4" de espesor) sobre el piso.
- Asegure los pies de la máquina de lavar mediante corchetes de sujeción (juego) que se obtiene del servicio a clientes (WMZ 2200).
- El aparato no es adecuado par montar encima de otros aparatos.

- ❑ El aparato no es encastrable ni adecuado para montar debajo de otros aparatos.

Montaje sobre pedestal

Si monta la lavadora sobre un pedestal de Bosch (N° de accesorio WTZ 1295, para modelos de distinto color, usar accesorio no. WTZ1295S), siga las instrucciones suministradas con el pedestal.

- i** **Instale el pedestal antes de quitar los pernos del transporte.**

Inodoro

Si instala la lavadora en un toilette, observe las distancias mínimas según la tabla siguiente:

Distancias mínimas de instalación

Inodoro	
A los costados	1/4" (6 mm)
Arriba	12" (305 mm)
Detrás	2.5" (64 mm)
Delante	1/4" (6 mm)

Arriba: 48 sq. in (310 sq. cm),
Abajo: 24 sq. in (155 sq. cm)

Lista de comprobación para la instalación

Página

Retirar completamente los cuatro seguros de transporte. Colocar la lavadora en el lugar de emplazamiento elegido	66
Acoplar las mangueras de alimentación y desagüe. I	67
Introducir el cable de conexión del aparato en la toma de corriente.	68
Colocar la lavadora en su posición definitiva.	69
Efectuar la menor nivelación en altura posible de la lavadora.	69
Antes de usar por vez primera la máquina, realizar un ciclo de lavado.	74

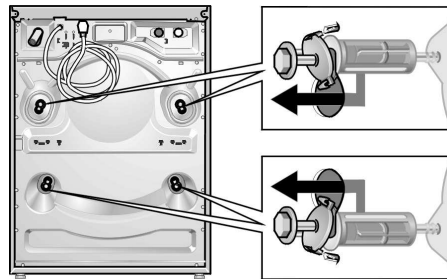
Sacar los tornillos de transporte



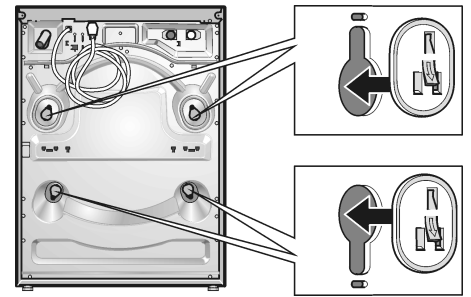
CUIDADO

Deben sacarse todos los tornillos de transporte antes de utilizar la lavadora por primera vez, guardándose los para un transporte posterior (p. ej. en caso de mudanza).

- ❑ Aflojar los cuatro tornillos antes de retirar los demás tornillos del aparato.
- ❑ Retirar primero los dos tornillos inferiores y a continuación los dos tornillos superiores.
- ❑ Aflojar los tornillos con la boca en estrella de la llave de 1/2" suministrada con el aparato. Aflojarlos hasta poder retirarlos libremente.
- ❑ Los tornillos inferiores empotrados se pueden aflojar con más facilidad utilizando una llave de vaso de 1/2" (boca de 13 mm).



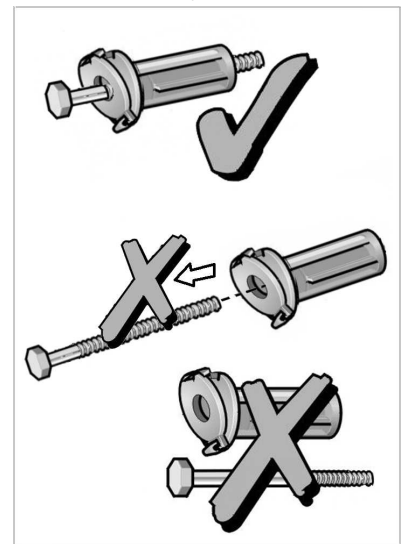
- ❑ Afloje los tornillos usando la llave de 1/2" provista, hasta que se puedan mover libremente.
- ❑ Quite completamente los pernos (perno, resorte, arandela, y los bujes) introduciendo la mano a través de la puerta de la máquina de lavar y triando el tambor ligeramente hacia delante.
- ❑ Si los bujes no salen al quitar los tornillos, vuelva a introducir los mismos nuevamente en los bujes, intentando luego nuevamente con cuidado. Es importante efectuar esta operación con los tornillos, de lo contrario los bujes no salen adecuadamente.
- ❑ Con objeto de guardar los tornillos para un posible uso posterior, no deberán separarse de los manguitos de plásticos.



- ❑ Inserte las coberturas hasta que queden trabadas con un sonido audible.

Almacenamiento de los pernos de transporte

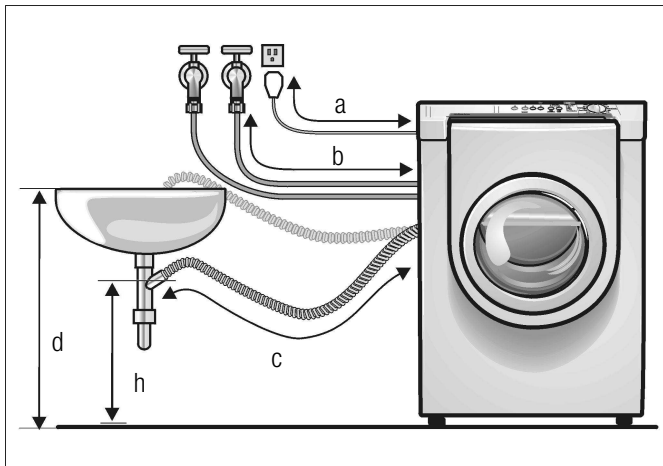
Guarde siempre los pernos de transporte, para disponer de ellos en caso de transportes posteriores (p. ej. en caso de mudanza).



- ❑ Guarde los pernos de transporte conjuntamente con las arandelas y los bujes colocados.

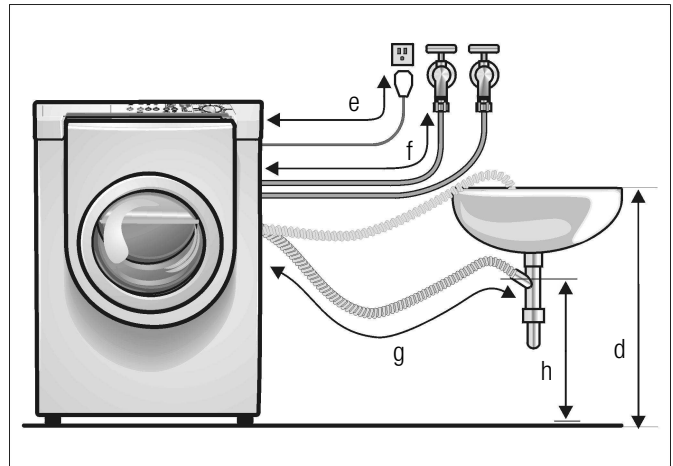
Longitudes de cables y mangueras

Conexión hacia la izquierda



a = 55.0 pulgadas / 140 cm (aprox)
 b = 51.0 pulgadas / 130 cm (aprox)
 c = 33.5 pulgadas / 85 cm (aprox)
 d = 39.0 pulgadas / 100 cm (máx.)

Conexión hacia la derecha



e = 69.0 pulgadas / 175 cm (aprox)
 f = 34.6 pulgadas / 88 cm (aprox)
 g = 55.0 pulgadas / 140 cm (aprox)
 h = 24.0 pulgadas / 60 cm (aprox)
 h = Altura mínima de la salida de agua

Otras mangueras

Provistas por los vendedores de electrodomésticos:

- Manguera de alimentación de mayor longitud (aprox. 96.1 pulgadas / 2.44 m).

Conexión de agua

Alimentación de agua

CUIDADO

La máquina de lavar debe utilizarse únicamente con agua fría y caliente (140 °F / 60 °C). No conecte el electrodoméstico a un mezclador de un calentador de agua no presurizado.

Si tiene dudas, haga conectar la instalación de agua por un técnico autorizado.

Las mangueras de agua no deben:

- Doblarse o aplastarse.
- Modificarse o cortarse (no puede garantizarse la estabilidad en este caso).

Las roscas de plástico deben ajustarse solamente a mano. No quite los filtros de las mangueras de alimentación de agua.

Observe la presión en la red de alimentación:

- La presión de agua debe encontrarse comprendida entre 14.5 y 145 p.s.i. (1 y 10 bar) (con el grifo abierto, deben fluir como mínimo 2.2 galones U.S. (8 litros) por minuto).
- Debe instalarse una válvula reguladora, si la presión de agua excede el máximo admitido.

CUIDADO

Para prevenir daños ocasionados por el agua, las válvulas de agua tanto caliente como fría, deben ser accesibles con la máquina emplazada y deben permanecer cerradas si la máquina no está en uso.

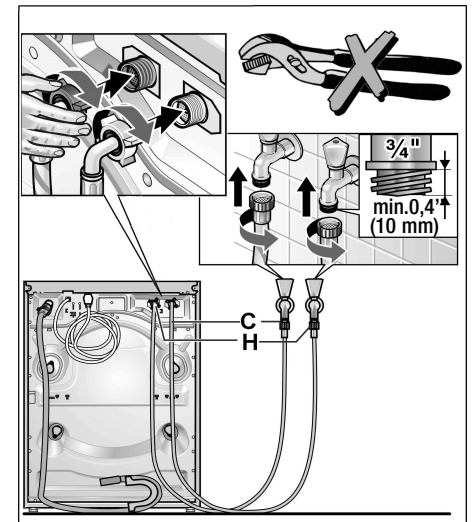
CUIDADO

Si la máquina de lavar se instala en un edificio nuevo o donde se ha instalado recientemente la tubería o efectuado modificaciones en la misma, debe hacerse correr abundante agua antes de conectar la lavadora, a fin de eliminar la arena y otros tipos de suciedad de los tubos.

Conexión

C Conexión de agua fría y
H Conexión de agua caliente
 (máx. 140 °F / 60 °C)

- Los acoplamientos de plástico de las mangueras de alimentación y desagüe del agua en la parte posterior del aparato sólo deberán apretarse **manualmente**. No retirar los filtros de la manguera de alimentación del agua.



- Después de la conexión: abra completamente los grifos y verifique que las conexiones no presenten pérdidas.



CUIDADO

Los puntos de conexión están sometidos a la presión plena de la tubería. Controle la estanqueidad con los grifos completamente abiertos.

Salida del agua

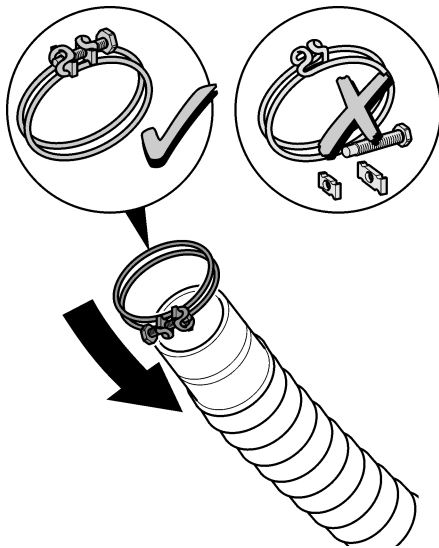
CUIDADO

No doble no tire de las mangueras.

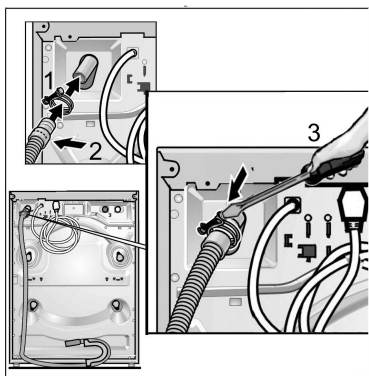
La diferencia de altura entre el punto de emplazamiento de la máquina y el punto de drenaje debe ser de un máximo de 8 pies / 244 cm, mínima de 2 pies / 60 cm.

Conexión de la manguera de drenaje de agua

- ❑ **No retirar completamente el tornillo de la abrazadera.** Soltar el tornillo sólo lo necesario para que la abrazadera se deslice libremente por encima de la manguera de desagüe.



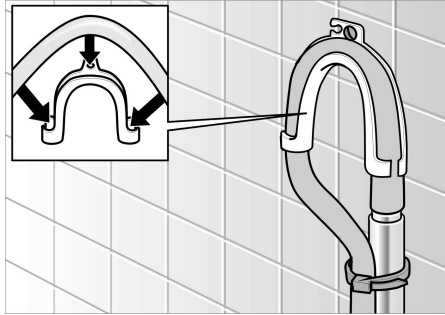
1. Deslizar la abrazadera por encima del extremo de la manguera de desagüe antes de acoplarla al aparato.



2. Acoplar la manguera de deagüe en el conexión de desagüe en la parte posterior del aparato. Colocar la abrazadera a aprox. 9 mm de distancia del extremo de la manguera.

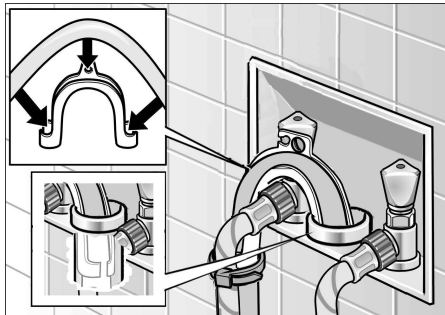
3. Fijar la abrazadera con ayuda de un destornillador.

Instalación en un tubo vertical



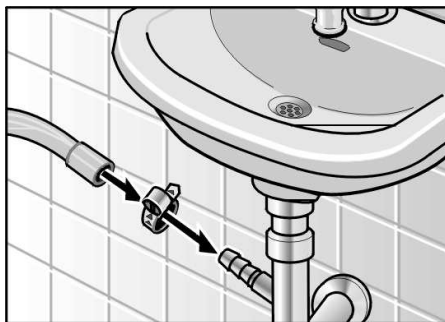
- ❑ Utilice el codo. Sujete el codo al extremo de la manguera e inserte dicho extremo en el tubo vertical.
- ❑ Utilice un hilo o un prensacables para mantener la manguera en posición.

Instalación embutida



- ❑ Utilice el codo. Coloque el codo en el extremo de la manguera e inserte a dicho extremo en el tubo embutido.
- ❑ Introducir al máximo la manguera y el codo en la manguera de desagüe abierta, en caso de haber optado por el emplazamiento mostrado en la figura superior.
- ❑ Utilice un hilo o un prensacables para mantener la manguera en posición.

Drenaje en un sifón

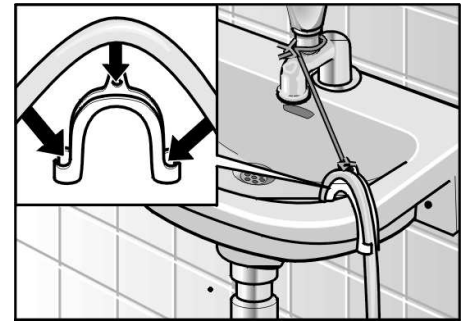


- ❑ Asegure el punto de conexión mediante una abrazadera para manguera (no incluida en el volumen de entrega).

Drenaje en un lavabo

CUIDADO

Asegúrese que el tapón no se encuentre colocado en el orificio.



- ❑ Sujete la manguera de drenaje firmemente contra el lavabo.
- ❑ Utilice un hilo o un prensacables para mantener la manguera en posición.
- ❑ Controle que el agua pueda salir adecuadamente del lavabo durante el proceso de drenaje.

Conexión eléctrica INSTRUCCIONES PARA LA PUESTA A TIERRA

El electrodoméstico debe conectarse a tierra. En caso de fallos en el funcionamiento o rupturas, la conexión de puesta a tierra reducirá el peligro de descargas eléctricas, proveyendo una vía de menor resistencia a la corriente. Esta máquina está equipada con un cable que contiene un conductor de puesta a tierra y un enchufe con la conexión correspondiente. El enchufe debe conectarse a un tomacorriente apropiado que esté instalado y conectado a tierra de acuerdo con todas las normas y ordenanzas locales.



**ADVER-
TENCIA**



La conexión incorrecta a tierra, del cable correspondiente del equipo, puede ser causa de descargas Eléctricas. Haga controlar el electrodoméstico por un técnico calificado o técnico de servicio si tiene dudas respecto de la correcta conexión a tierra de la lavadora.

No modifique el enchufe provisto con el electrodoméstico. En caso que no pueda conectarlo al tomacorrientes, haga colocar un tomacorrientes apropiado por un electricista calificado.



ADVERTENCIA



La máquina de lavar debe conectarse a un ramal individual del circuito eléctrico, a través de un tomacorrientes que ha sido adecuadamente instalado y conectado a tierra.

El voltaje de la instalación domiciliaria, debe coincidir con el voltaje especificado de la máquina de lavar (ver la chapa de características en página 85).

Las especificaciones de la conexión y los fusibles requeridos se estipulan en la chapa de características.

Volts	Hertz	Amperes	Wattios
110-120	60	15	1350 (máx.)

Asegúrese que:

- el enchufe quepa en el tomacorrientes.
- la sección de los cables sea suficiente.
- el sistema de puesta a tierra esté correctamente instalado.

El cable de alimentación debe reemplazarlo exclusivamente un electricista.

El servicio a clientes dispone de cables para el recambio.



ADVERTENCIA



A fin de reducir el peligro incendios o de descargas eléctricas, NO DEBE USARSE un cable de prolongación o un adaptador para conectar la lavadora a la alimentación de energía.

Si debe utilizarse un interruptor diferencial, instale únicamente una unidad marcada con el siguiente símbolo:

Solamente este símbolo garantiza un correcto funcionamiento de acuerdo con todas las reglamentaciones de corriente.

No conecte ni desconecte el enchufe con las manos húmedas.

Toque el enchufe únicamente si lo va a desconectar del tomacorrientes.

Procedimiento de nivelación

1. El electrodoméstico debe encontrarse ahora en su posición definitiva, preparado para ser nivelado (moverlo después de su nivelación, puede dejarlo nuevamente desnivelado.)

Cada pata de la lavadora o de la base debe encontrarse firmemente apoyado en el suelo, a fin de prevenir el tambaleo.

Comenzar con las cuatro patas enroscadas tanto como sea posible, volviendo a desenroscarlas la cantidad necesaria a fin de nivelar la lavadora.

2. Utilizar el nivel para nivelar el frente respecto de la parte posterior y un lado respecto del otro de la lavadora (asegurarse que el nivel asiente sobre las esquinas de la lavadora y no se encuentra elevado en un extremo respecto del otro en una depresión de la superficie de la lavadora.)
3. Ajustar la nivelación de la lavadora mediante las cuatro patas de altura ajustable. Ajustar la nivelación a la menor altura posible, a fin de reducir la vibración.



CUIDADO

PARA EVITAR RIESGO DE LESIONES – Tenga cuidado mientras usa la llave.

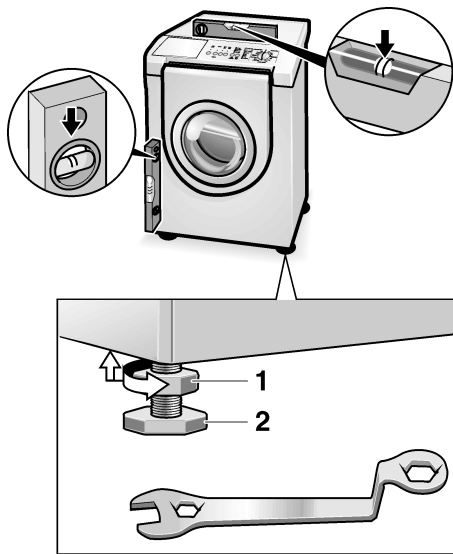
- Aflojar la contratuerca (1 en la ilustración) girando en sentido horario. Utilizar la llave que forma parte del volumen de entrega (o una llave abierta de 5/8" 16mm). Si se hace girar ahora la contratuerca, la pata sujeta a ella (2 en la ilustración) gira con ella. Esto alargará la pata.
- Desenroscando la pata (sentido horario), se elevará la esquina de la lavadora, enroscándola (sentido antihorario), la esquina correspondiente descenderá. Si la esquina se encuentra a la altura adecuada, ajustar la pata en esa posición, girando la contratuerca en sentido antihorario, hasta que quede

correctamente ajustada contra la carcasa de la lavadora.



Puede ser necesario sujetar la pata de la lavadora con unas tenazas a fin de evitar que gire mientras se ajusta la contratuerca. Si la pata puede girar, la esquina modificará su altura.

- Una vez efectuados los ajustes preliminares, presionar sobre cada esquina de la lavadora, a fin de asegurarse que no tambalee. Si tambalea, bajar la pata de la esquina en cuestión, hasta que toca el suelo firmemente.
- 4. Utilizar un nivel de burbuja (24" o menor de longitud) a fin de determinar el estado de nivelación de la lavadora.
 - Colocar el nivel de burbujas en diagonal sobre el aparato y verificar si está nivelado.
 - Si la burbuja se encuentra en el centro del nivel, el aparato está nivelado. De lo contrario habrá que modificar el ajuste en altura del soporte afectado, tal como se ha explicado anteriormente, hasta que el aparato esté nivelado. Un consejo práctico: Si la burbuja se encontrara más cerca de un lado que del otro, esto significa que dicho lado está más alto. Para nivelar el aparato, bajar el lado más alto o elevar el lado opuesto.
 - Tras realizar la nivelación del aparato de un lateral al otro, girar el nivel de burbujas en 90° y repetir la operación.



5. Efectuar un ajuste fino de la nivelación de la lavadora, colocando una cantidad reducida de ropa en ella. Hacerla marchar en el programa de centrifugado, nivelando luego nuevamente.

i En caso de interrumpir manualmente el ciclo de centrifugado de ensayo antes de su conclusión, la puerta de carga puede permanecer bloqueada durante 10 segundos.

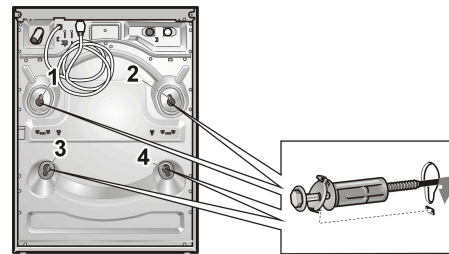
Transporte como en el caso de mudanza

Antes de transportar la máquina de lavar:

- Cierre los grifos de agua.
- Desconecte la máquina de lavar del tomacorriente.
- Desmonte las mangueras de alimentación y de drenaje.
- Coloque los pernos de transporte.

i Una vez transportado el electrodoméstico y después de haberse asegurado que la instalación y conexión fue efectuada correctamente, haga correr el programa **Drain** antes de arrancar el primer programa de lavado.

Preparación y colocación de los pernos de transporte

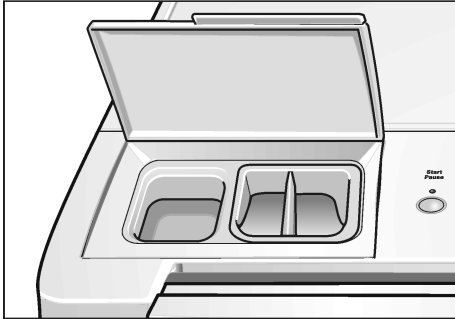


- Quite las coberturas.
- Prepare los pernos de transporte: afloje el tornillo en la funda hasta que el extremo del mismo se nivele con la funda.
- Inserte y ajuste todos los pernos de transporte. La eclisa del bulón debe ubicarse en la renura del panel posterior de la carcasa.

INSTRUCCIONES DE FUNCIONAMIENTO

Su nueva lavadora

Carga de detergente para la ropa y/o aditivos en los compartimientos correspondientes



Abrir la puerta (con la marca en colore)...



...y cerrar la puerta.



⚠ CUIDADO: el panel de acceso ubicado en la parte inferior derecha de la lavadora, es exclusivamente para tareas de service y debe ser abierto solamente por personal debidamente autorizado y capacitado.

Panel de control

Botones para opciones adicionales

(adicionalmente al programa en caso de necesidad)

Bleach (Blanqueado): se agrega un ciclo de blanqueado al programa seleccionado.

Rinse plus (Aclarado adicional): un ciclo de aclarado adicional.

Heavy duty (lavdo potenciado): incrementa el tiempo de lavado en caso de cargas sumamente sucias.

Pueden agregarse combinaciones arbitrarias de opciones adicionales en cualquier momento.

Opción adicional seleccionada:

Se enciende la luz roja correspondiente.

Eliminar la opción adicional de la selección:

Vuelva a presionar el botón correspondiente. La luz en cuestión se pagará.

Display

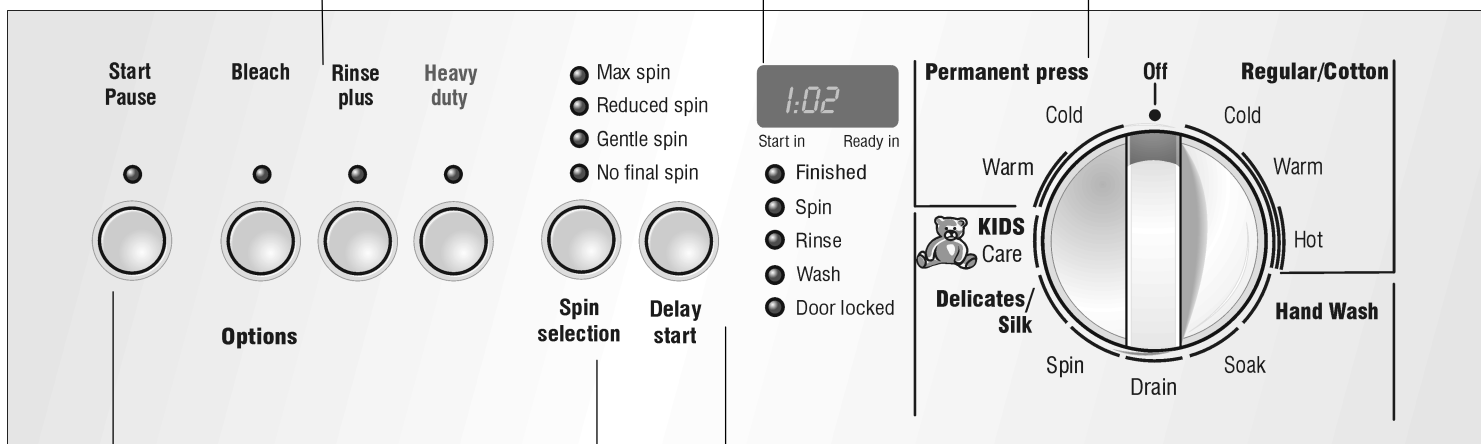
Se visualiza el tiempo **Ready in** (listo en) si hay un programa seleccionado.

Se visualiza el tiempo **Start in** (arranque), en caso de haber seleccionado la opción **Delay Start**.

Selector de programas

Enciende o apaga la máquina y selecciona el programa. Puede girárselo en ambas direcciones.

El selector de programas no gira mientras hay un programa en curso. La secuencia del programa se controla electrónicamente.



Botón Start/Pause (Arranque/pausa)

Arranca o para el ciclo de lavado (antes debe haberse seleccionado un programa).

Luces indicadoras

La luz indicadora centellea: pueden cambiarse los ajustes, puede iniciarse el ciclo de lavado, la puerta está bloqueada por razones de seguridad, o bien el programa está en el modo de pausa.

La luz indicadora roja está encendida: el programa está en marcha y puede interrumpírselo mediante "Pause".

La luz indicadora está apagada: el programa ha concluido o no hay programa seleccionado.

Luces indicadoras

La luz **door locked** está encendida si hay un programa seleccionado y se ha accionado el botón **Delay Start**.

Las luces **wash** (lavado), **rinse** (aclarado) y **spin** (centrifugado) se encienden si están activos los segmentos de programas de Lavado, Aclarado y Centrifugado respectivamente. La luz **finished** se enciende cuando el programa ha concluido.

¡Si una luz centellea, ha ocurrido un fallo de operación!

Botón Delay Start

El tiempo de **Delay Start** (tiempo para el arranque) puede retrasarse en horas hasta un máximo de 19 hs (en caso de necesidad).

El display visualizará el tiempo de **Start in**.

Botón Spin selection (selección de centrifugado)

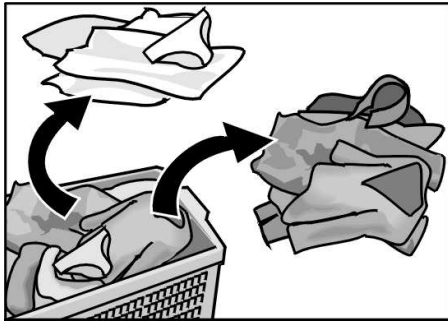
Para cambiar la velocidad de centrifugado (si es necesario). Se enciende la luz roja de la velocidad de centrifugado seleccionada.

Resumen de instrucciones

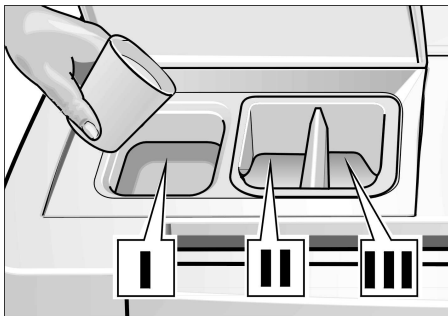
⚠ Advertencia

Antes de poner en marcha su máquina de lavar, lea y cumpla con todas las instrucciones de instalación y funcionamiento.

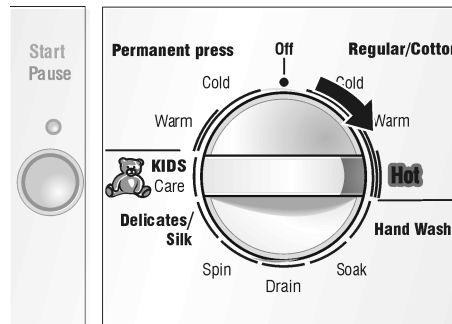
Preparar la ropa



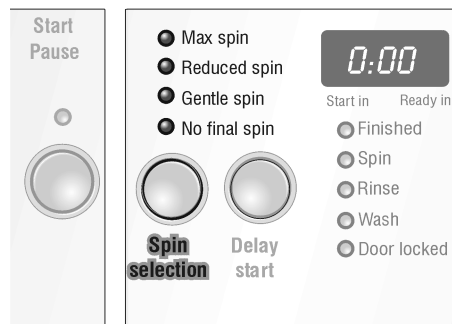
 KIDS Care 150 °F 66 °C	hot 125 ° 52 °C	warm 95 °F 35 °C	
	cold 60 °F 15 °C		



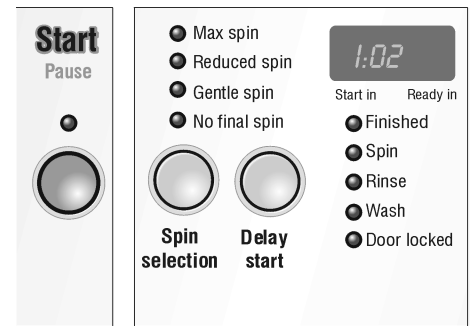
Selección de un programa y arranque de la máquina



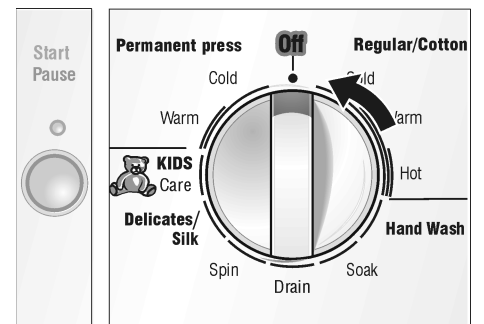
Cambio de los ajustes. Por ejemplo, la velocidad de centrifugado



y arranque



Después del lavado



Antes del primer uso

La máquina de lavar debe estar correctamente instalada y conectada (ver página 64).

Antes de usar la máquina de lavar por primera vez:

- Asegúrese que el voltaje aplicado sea el que se indica en la chapa de características.
- Asegúrese que las válvulas para el agua estén correctamente conectadas y estén abiertas.

Primer uso

Primer ciclo de lavado (sin ropa)

Su electrodoméstico fue controlado en fábrica/ Para asegurar un lavado correcto con su primera carga, efectúe inicialmente un ciclo de lavado completo sin colocar prendas en la máquina.

- No cargue ropa alguna.
- Abra los grifos de agua.
- Abra la tapa del compartimiento para el detergente.
- Ponga aprox. 1 quart. (1 litro) de agua dentro del compartimiento I para el detergente. Ver página 76.
- Coloque de 1 a 2 tabletas de detergente en la cámara correspondiente.

i No utilice detergentes especiales (estos detergentes producen demasiada espuma).

- Cierre la tapa del compartimiento para detergente.
- Cierre la puerta.
- Coloque el selector de programas en **Regular/Cotton hot**. El indicador luminoso rojo **Start/Pause** (rojo) centellea.
- Presione el botón **Start/Pause**. El programa arrancará. La luz indicadora (roja) está encendida.

i El display indica el tiempo para la finalización del programa.

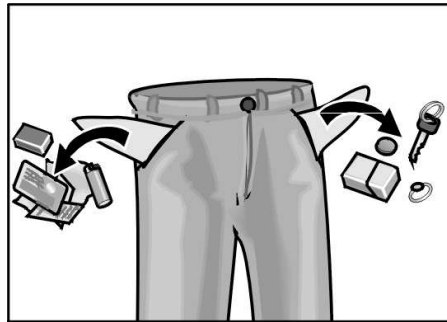
Cuando el display indica "0:00":

- Abra la puerta.
- Gire el selector de programas a **Off**.

Preparar la ropa

CUIDADO

Objetos sueltos (monedas, broches para papel, clavos u otros objetos duros) pueden dañar las prendas o partes de la máquina de lavar (p. ej. el tambor).



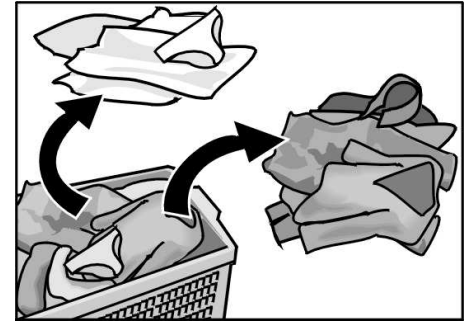
- Vacíe los bolsillos.
- Cepille para eliminar hilachas y suciedad.
- Cierre los cierres, los botones y los ganchos.
- Quite las correderas de las cortinas o colóquelas a todas juntas en una red.
- Quite agujas, botones, hebillas y otros objetos que pueden rayar el interior de la lavadora.
- Quite adornos y ornamentos no lavables.
- Gire el interior de tejidos de punto sintéticos hacia fuera, a fin de evitar que se arruine.
- Trate las manchas.

Para evitar la pérdida o daños en la ropa, las prendas siguientes deben colocarse en una red:

- Soquetes de bebé (prendas pequeñas)
- Ropa interior o de punto
- Cinturones
- Prendas ítimas femeninas (el lavado directo en la lavadora, las cintas pueden soltarse durante el lavado causando daños)

Seleccionar la ropa

De acuerdo al color y el grado de suciedad



CUIDADO

Las prendas pueden decolorarse. Nunca lave prendas nuevas multicolor, juntamente con otras prendas.

Prendas blancas pueden ponerse grises. Lave siempre por separado, la ropa blanca y aquella de color.

Grados de suciedad

Suciedad leve

Suciedad no reconocible o manchas. Ropa que huele a cuerpo.

- Ropa liviana de verano.
- Camisas playeras, camisas y blusas que han sido usadas por menos de un día.
- Sábanas y toallas que fueron usadas por un día.

Suciedad normal

Suciedad visible y/o manchas fácilmente reconocibles.

- Camisas playeras, camisas y blusas muy sudadas o usadas varias veces.
- Toallas de baño o de mano y sábanas que fueron usadas por un tiempo de hasta una semana.
- Cortinas (que no presenten manchas de humo) que no fueron lavadas por un tiempo de hasta 6 meses.

Muy sucio

Suciedad y/o manchas reconocibles.

- Toallas de mano de la cocina, usadas por un tiempo de hasta 1 semana.
- Servilletas de tela.
- Baberos.
- Ropa de niños o camisas y shorts de deporte con manchas de tierra o pasto.
- Ropa de trabajo como overalls, o ropa de panaderos o carniceros.

Manchas típicas

- Aceites orgánicos, aceites o grasa de cocina, aceites minerales, ceras (que contienen grasa o aceite).
- Té, café, vino tinto, frutas, verduras.
- Sangre, huevo, leche, almidón (que contenga proteínas o carbohidratos).
- Hollín, tierra, arena (pigmentos), arcilla roja.

Quitar manchas

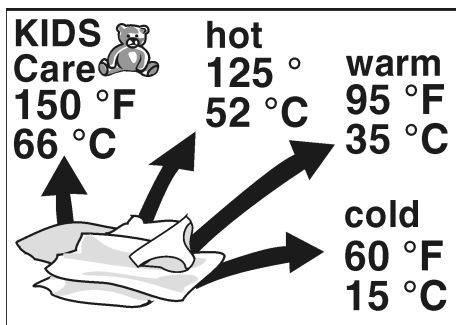
En lo posible, quite o trate las manchas mientras son frescas.

Primero, coloque agua jabonosa sobre la mancha. No las friegue.

Lave las prendas a continuación, utilizando el programa adecuado.

A veces es necesario aplicar varios ciclos de lavado para eliminar manchas persistentes o secas.

Seleccionar la ropa de acuerdo a las especificaciones de cuidado



Ver también los ajustes de temperatura en la página 77.

Tipos de símbolos

Lavado a máquina, algodón

Lavado a máquina, estampados

Lavado a máquina, ropa delicada

Lavado a mano

Temperaturas

Frío

Tibio

Caliente

No lave prendas en la máquina de lavar que presenten el símbolo "Do not Wash" o DO NOT WASH

Cargar la ropa

ADVERTENCIA

PARA EVITAR PELIGRO DE EXPLOSIÓN!
Prendas de ropa tratados previamente con agentes de limpieza en base a solventes o bien agentes de limpieza en seco, representan un peligro de explosión una vez cargados en la máquina de lavar. Antes de cargarlos, deberá aclarárselos prolijamente a mano.

CUIDADO

Objetos sueltos que se encuentren en el interior del tambor de la máquina de lavar, pueden dañar la ropa. Antes de cargar la ropa, controle que no se encuentren objetos en el tambor.



- Abra la puerta.



- Coloque las prendas seleccionadas sin doblar y sueltas dentro del tambor. Mezcle prendas grandes y pequeñas, ya que prendas de tamaños diversos se distribuyen mejor durante el ciclo de centrifugado.

- i** No exceda la carga máxima: la sobrecarga arrojará resultados pobres en la calidad del lavado y hace que la ropa salga más abarquillada.

Para obtener los mejores resultados, deberá cargarse el tambor según el tipo de prendas. Vea a tal fin los programas especiales en la página 76, donde se da información respecto de prendas voluminosas, p. ej. frazadas:

Plena carga

Algodón y lino

1/2 carga

Estampados, combinaciones de fibras sintéticas y tejidos.

1/3 de carga

Lana, ropa delicada, seda



- i** Cierre la puerta. No presione prendas entre la puerta y la junta de goma. La puerta debe cerrarse con facilidad, es decir, sin forzarla.

Ropa Detergentes y aditivos

Uso de la cantidad de detergente adecuada

ADVERTENCIA

¡PARA EVITAR RIESGO DE ENVENENAMIENTO!
Mantenga los detergentes y aditivos fuera del alcance de los niños.

Mida el detergente (polvo o líquido) de acuerdo a:

- La dureza del agua. Esta información puede obtenerla de su proveedor de agua local. Une eau moins dure requiert moins de détergent.
 - La cantidad de ropa.
 - El grado de suciedad. Información al respecto, la hallará en la página 74.
 - Las especificaciones del fabricante del detergente. Midiendo correctamente la cantidad de detergente, reduce los daños al medio ambiente y aseguran un resultado óptimo del lavado.
- Si se utiliza un detergente para máquinas de lavar carga por arriba, se recomienda lavar con $\frac{1}{4}$ o $\frac{1}{2}$ (aprox. 2 a 3 tbl) de la cantidad recomendada por el fabricante, con el fin de evitar la formación de demasiada espuma. Si reduce demasiado la cantidad, puede ser magro el resultado de la limpieza. Comience con $\frac{1}{4}$ de la cantidad recomendada y aumentela un poco, solamente si el resultado de limpieza es malo y sus prendas no han sido lavadas correctamente.

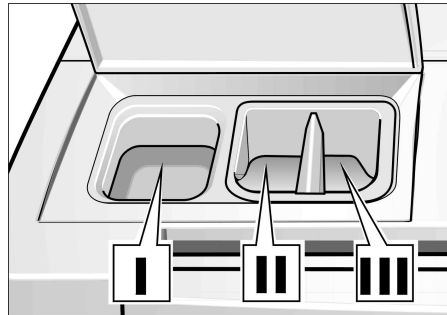
Demasiado poco detergente:

La ropa no se limpia correctamente y eventualmente resulta gris y rígida. Aparecerán manchas marrón grisáceas (partículas de grasa). Las barras calefactoras se calcificarán.

Demasiado detergente:

Espuma excesiva, daña el medio ambiente, reduce el agitado durante el lavado produciendo resultados deficientes en el lavado y puede causar un centrifugado deficiente.

Carga de la ropa, el detergente y/o los aditivos



- Abra la tapa del compartimiento para el detergente.
- Coloque el detergente y/o los aditivos.

Compartimiento I:
Compartimiento para el lavado, eliminador de manchas.

i Recomendamos detergentes se alta energía (HE), ya que éstos fueron desarrollados para obtener un rendimiento óptimo en lavadoras de carga frontal. Al no usar los detergentes mencionados en el párrafo anterior, pueden generarse problemas como exceso de espuma ciclos de lavado más prolongados o una merma en el rendimiento.

Compartimiento II:
Aditivos para el limpiado, es decir suavizantes o acondicionadores. ¡No llenar más allá de la marca máxima!

Compartimiento III:
Compartimiento para el blanqueador (cloro, blanqueador o blanqueador con protección de colores). ¡No llenar más allá de la marca máxima!

- i** Suavizantes concentrados o espesos deberán diluirse con un poco de agua antes de colocarlos en el compartimiento para evitar rebalses de agua debido a obstrucciones.
- Cierre la tapa del compartimiento para detergente.

Pérdida de color

CAUTION

Los colorantes pueden contener azufre o cloro. Estas sustancias pueden producir óxido en algunas partes de la máquina de lavar. No coloree prendas de ropa en la máquina de lavar.

Programas y funciones

El tiempo de duración de los ciclos varía con el ciclo seleccionado, la temperatura y la presión del agua que ingresa, la dureza de ésta, la cantidad cargada, el tipo de ropa y la distancia de la unidad del tubo de descarga.

La velocidad máxima de centrifugado depende del ciclo seleccionado. Para ajustar la velocidad de centrifugado, consulte la página 77.

Programas básico

Regular / Cotton Hot (Ropa común / Algodón – Caliente)

Ropa de colores firmes con grado de suciedad regular o elevada. Prendas robustas de trabajo confeccionadas de algodón o lino como ropa de trabajo y ropa interior.

Regular / Cotton Warm (Ropa común / Algodón – Tibio)

Ropa normal que destiñe no muy sucia. Ropa robusta y de trabajo confeccionadas de algodón con vaqueros, chombas y camisas.

Regular / Cotton Cold (Ropa común / Algodón – Frío)

Prendas no muy sucias que destiñen. Ropa robusta y de trabajo confeccionadas de algodón o lino (colores que destiñen o se desvanecen).

Permanent Press Warm (Estampados – Tibio)

Prendas consistentes en algodón que destiñen, con grado de suciedad medio o leve, estampados, de lino, de fibra sintética o mezcla y de vestir.

Prendas que requieren de una secuencia de volteo y una velocidad de centrifugado especiales para minimizar el arrugado, como blusas, camisas y trajes de faena.

Permanent Press Cold (Estampados – Frío)

Prendas consistentes en algodón que destiñen, con grado de suciedad medio o leve, estampados, de lino, de fibra sintética o mezcla y de vestir. Prendas que requieren de una secuencia de volteo y una velocidad de centrifugado especiales para minimizar el arrugado.

Programas especiales

Delicates/Silk (Prendas finas)


Los ajustes para prendas delicadas se entienden para su uso con para prendas finas de cuidado fácil de algodón, satén, prendas de fibra sintéticas o mezcla, cortinas, trajes, faldas y blusas.

Pueden lavarse con este programa, prendas voluminosas como frazadas, ya que trata a las prendas con mucha delicadeza y agrega (automáticamente) un aclarado adicional.
No efectúa un centrifugado entre los ciclos de aclarado.

Hand wash (Lavado a mano)

Los ajustes para el lavado a mano se entienden para el lavado de prendas muy delicadas de cuidado fácil, que normalmente se lavan a mano.

Estos programas fueron diseñados para un tratamiento extremadamente delicado de las prendas.

Con este programa pueden lavarse sin problemas, prendas marcadas con el símbolo  "Hand wash" (lavado a mano) en la etiqueta de cuidados.

KIDS Care

Para tejidos con manchas, muy sucios y de intenso uso, como pantalones, sábanas, camisetas infantiles, etc.

i No lave prendas nuevas multicolor junto a otras ropas.

Soak (Romojo)

Un ciclo para el tratamiento previo de ropa muy sucia. El ciclo de remojo dura 2 horas y finaliza con un centrifugado breve.

Drain (Drenaje)

Puede usarse para evacuar el agua sin centrifugado posterior.

Spin (Centrifugado)

Ciclo de centrifugado para centrifugar ropa mojada, lavada a mano.

El agua se evacua antes y durante el ciclo de centrifugado.

Ajustes de temperatura

Se pueden seleccionar las siguientes temperaturas de lavado:

KIDS Care: 150 °F (66 °C)
hot (caliente): 125 °F (52 °C)
warm (tibio): 95 °F (35 °C)
cold (frío): 60 °F (15 °C)

Velocidades de centrifugado

máximas de los diversos programas

La luz indicadora roja "max spin speed" está encendida.

Revoluciones por minuto	Programa
1000	Regular/Cotton (Normal/algodón)
600	Permanent Press (Estampados)
1000	KIDS Care
600	Delicates (Ropa fina)
1000	Spin (Centrifugado)

Reduced spin

(Centrifugado reducido)

Se enciende el indicador luminoso rojo "reduced spin".

Solamente si ha seleccionado un centrifugado reducido, para un tratamiento cuidadoso de la ropa.

Gentle spin speeds (Velocidades de centrifugado cuidadoso)

Se enciende el indicador luminoso rojo "Gentle spin speed".

Revoluciones por minuto	Programa
400	Hand wash (Lavado a mano)
400	Soak (Romojo)

No final spin (Sin centrifugado final)

Se enciende la luz indicadora roja "no final spin".

Se aplica en caso de ropa fina. El agua permanece en la máquina después del último centrifugado.

Utilice este ajuste para evitar el arrugado de la ropa en caso que no puede extraer la ropa de la máquina de lavar inmediatamente después de concluido el ciclo de lavado.

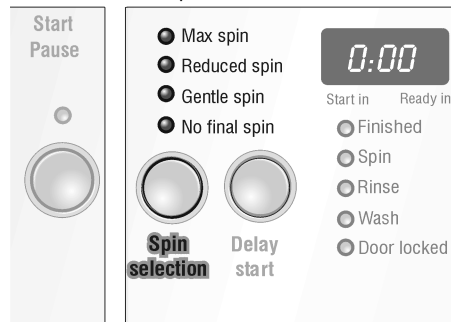
CUIDADO

Antes de descargar la máquina, deberá evacuar el agua remanente, seleccionando **Drain** o **Spin** y poniéndola en marcha.

Modificadores

Selección de centrifugado

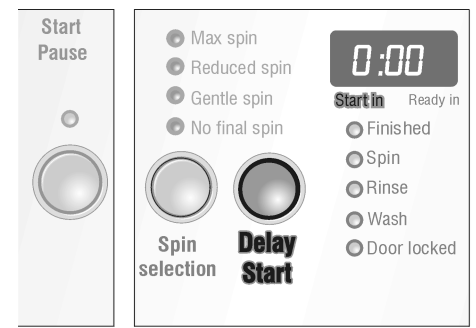
El ajuste de la velocidad del centrifugado del programa seleccionado, puede modificarse.



Presione este botón la veces necesarias, hasta que se encienda el ajuste deseado.

Delay Start (Arranque en)

Aquí puede modificarse el ajuste de la cantidad de horas que transcurren antes que comience el ciclo.



Presione este botón. El display indica "0:00". El tiempo de remojo puede extenderse hasta un máximo de 19 horas, en pasos de 1 hora, presionando las veces necesarias el botón **Delay Start**.

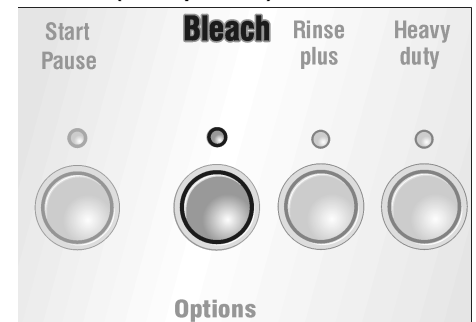
El tiempo de arranque **Start** comienza a contar inmediatamente después del ajuste. Esto se indica a través del encendido intermitente de los dos puntos entre los dígitos.

i Pueden efectuarse cambios en el tiempo de arranque **Start**, en cualquier momento, presionando el botón **Delay Start** hasta lograr el ajuste deseado.

i Si se cambia el programa o si se lo interrumpe, también se interrumpe el tiempo de arranque **Start**. Se indica en el display, el tiempo para la finalización del programa **Ready in**. En tal caso, deberá volverse a seleccionar el tiempo para el arranque con **Start**.

Botones para seleccionar las opciones

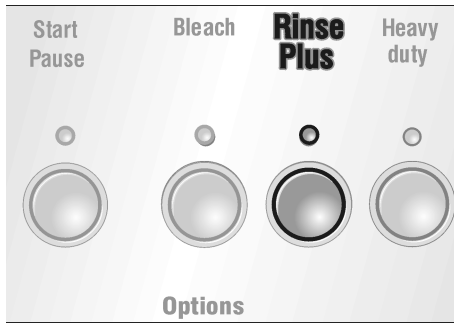
Bleach (blanqueado)



Si se acciona este botón, se agrega un ciclo de blanqueado al ciclo seleccionado.

El tiempo de lavado se extiende concordantemente.

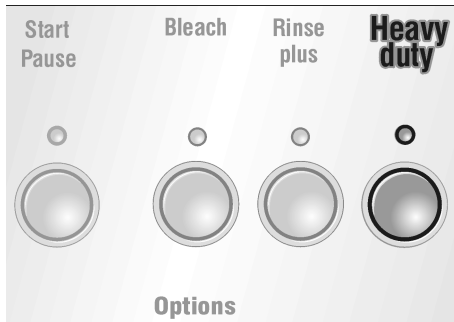
Rinse Plus (Aclarado adicional)



Si se acciona este botón, se agrega un ciclo de aclarado al programa seleccionado.

El tiempo de lavado se extiende concordantemente.

Heavy duty (Lavado potenciado)



La opción de lavado potenciado se recomienda **ÚNICAMENTE para prendas sumamente sucias que requieren de una limpieza a fondo de manchas resistentes, provenientes de alimentos.** NO se recomienda la opción de lavado potenciado para ropas con suciedad normal o ligera.

Si se acciona este botón, la lavadora se llena con agua fría únicamente. Durante el calentamiento de la misma a la temperatura definida, el ciclo de lavado ya está corriendo.

El tiempo de lavado se prolonga para cargas de ropa sumamente sucia.

Señal acústica

Una señal acústica indica los diferentes estados del programa (p. ej. arranque, finalización o fallos en el funcionamiento).

Para activar la señal:

- Seleccione un programa
- Presione dos de los botones de opción p. ej. Bleach (blanqueado) y Rinse (aclarado) hasta que suene una señal larga.

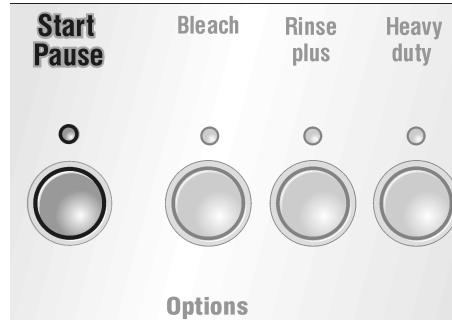
Para desactivar la señal:

- Seleccione un programa

- Presione dos botones de opción y sosténgalos accionados hasta que suene una señal corta.

- i** No active o desactive la señal acústica mientras haya un programa en progreso.

Luz indicadora encima del botón “Start/Pause” (Arranque/Pausa)



Esta luz indicadora transmite la siguiente información:

- Si la luz indicadora **centellea**: puede iniciarse el programa.
- Aún puede agregarse ropa.
- Si la luz indicadora está **encendida**, el programa está en progreso.
- No es posible agregar ropa, ya que la puerta está trabada por razones de seguridad.

Puede agregarse ropa, luego de presionar el botón **Start/Pause**.

Características especiales

Ajuste de carga automático

El “ajuste automático de carga” regula el consumo de agua y de energía para cada programa y determina la cantidad de ropa y tipos de tejido.

Este proceso está integrado en la máquina y ocurre automáticamente.

Este control reduce el consumo de agua y de energía en caso de cargas pequeñas.

Sistema de detección de carga desbalanceada

Este sistema se ocupa de centrifugar la carga varias veces para asegurar una distribución pareja de la misma.

Si la carga a lavar está distribuida de modo desparejo, no se procede al centrifugado, o bien se reduce la velocidad del centrifugado final (por razones de seguridad).

Tiempo indicado

Debido a las características mencionadas y otras causas, el tiempo del programa en curso varía. Si se selecciona un programa, se indica el tiempo de duración regular del mismo. Los items siguientes afectan el tiempo indicado:

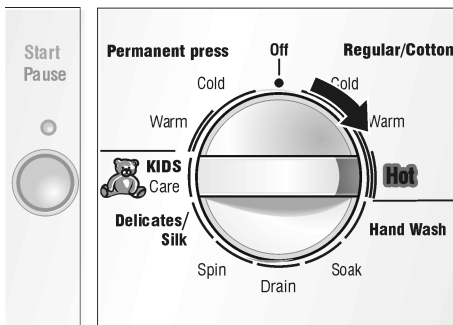
- el tamaño de la carga
- las repeticiones de intento de centrifugado necesarias para obtener una distribución pareja de la carga durante el centrifugado
- ciclos de aclarado adicionales, debidos a la formación excesiva de espuma
- una presión de agua demasiado reducida en la tubería de acceso
- la selección de opciones adicionales, p. ej. “Rinse Plus” (aclarado adicional)

- i** Usted notará los efectos de estos cambios (mayor o menor tiempo) en los cambios de la indicación en el display, cuando ocurren durante el ciclo de lavado. Si no se han seleccionado opciones y los efectos mencionados arriba no tienen lugar, el tiempo indicado disminuirá hasta el final del ciclo.

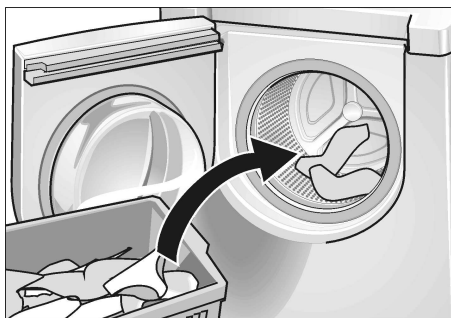
Lavado



- ☐ abra los grifos de agua.

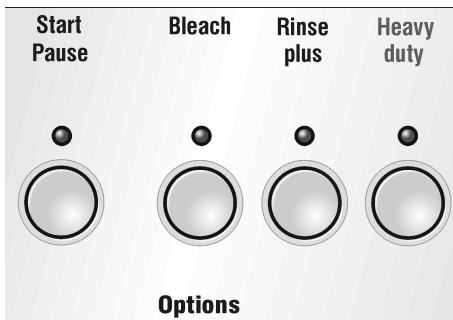


- ☐ gire el selector de programas hasta que señale el programa deseado.



- ☐ Cargue la máquina de lavar y cierre la puerta.

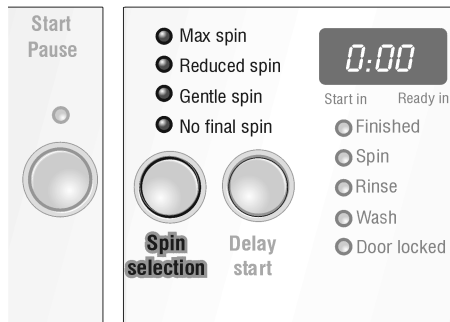
El indicador luminoso rojo **Start/Pause** (rojo) centellea.



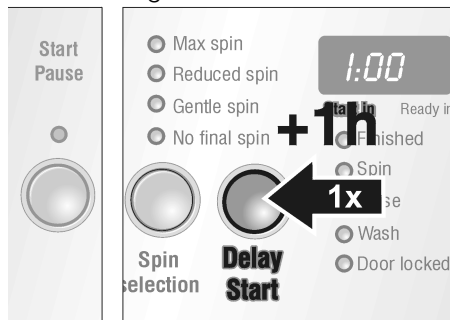
- ☐ Si es necesario, presione el (los) botón(es) para la(s) opción(es) adicionales.

Se encenderá la luz indicadora (roja) del botón seleccionado.

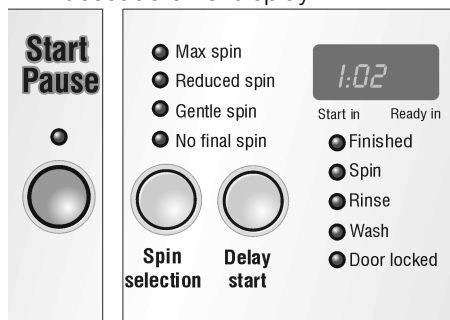
- i** Si se ha efectuado una combinación incorrecta, la luz indicadora del botón seleccionado se apagará.



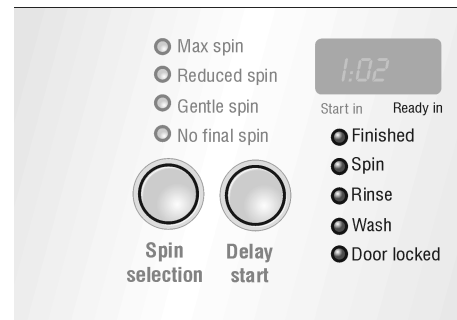
- ☐ Si es necesario, cambie la velocidad de centrifugado mediante el botón **Spin selection**, hasta que se enciende la luz correspondiente a la velocidad de centrifugado deseada.



- ☐ Si es necesario cambie el tiempo de **Start** (arranque). Presione el botón **Delay Start** hasta que se indica el tiempo de **arranque** deseado en el display.



- ☐ Presione el botón **Start/Pause**. Se enciende la luz indicadora roja. El display indica el tiempo que durará el programa seleccionado y la máquina arranca.



- i** Cada paso del programa se indica a través del indicador luminoso correspondiente debajo del display.

Durante el lavado

- i** Debido al montaje complejo del electrodoméstico, pueden generarse vibraciones u oscilaciones durante el pasaje de velocidades de centrifugado bajas a otras mayores. Este comportamiento es normal debido al desplazamiento del tambor y no debe causar preocupación

Cambios de programa

- ☐ Gire el selector de programas a **Off**.
- ☐ Gire el selector de programa a la posición del nuevo programa deseado. El indicador luminoso **Start/Pause** centillea.
- ☐ Si hace falta, cambie los ajustes. Consulte para ello, la página 77.
- ☐ Presione el botón **Start/Pause**. El programa arrancará. La luz indicadora está encendida.

Agregar una prenda o interrumpir el programa

Usted puede agregar ropa en un instante posterior al comienzo del programa, quitar prendas del programa en curso, o interrumpir a éste en cualquier momento.

- Se recomienda no agregar ropa una vez concluida la fase de lavado.
- Usted puede agregar o quitar ropa mientras la luz indicadora **Start/Pause** centellea.
- Presione el botón **Start/Pause**. El indicador luminoso **Start/Pause** centillea.
- Abra la puerta.
- Agregue o quite la ropa que desee.
- Cierre la puerta.
- Presione el botón **Start/Pause**. El programa continúa. Se enciende la luz indicadora roja.
- Cuando la luz indicadora **Start/Pause** está encendida, puede interrumpirse el programa. Sin embargo, no puede abrirse la puerta por razones de seguridad (el nivel del agua, la temperatura o la velocidad de giro son demasiado elevadas).
- Si la velocidad de giro es demasiado elevada, la luz indicadora **Start/Stop** está encendida. Puede agregarse ropa en el modo "Pausa", una vez que el tambor se ha parado.

Cancelación de un programa activo

Si usted quiere parar un programa activo y quitar la ropa:

- Si el programa se interrumpe a una temperatura elevada, deje que la ropa se enfríe, hasta que pueda tocar el vidrio con la mano.

- Gire el selector de programas a **Off**.
- Gire el selector de programas a **Drain** o **Spin**.
- i** En caso de seleccionar **Spin** (centrifugado), seleccione la velocidad de centrifugado deseada (pero no, **no final spin** (sin centrifugado final)).
- Presione el botón **Start/Pause**.
- Espere a que concluya este programa.
- Abra la puerta.
- Descargue la ropa.
- i** Si un programa fue interrumpido a temperaturas elevadas, la puerta permanece bloqueada hasta que el electrodoméstico se ha enfriado.
- i** Si el programa se interrumpe apagando el electrodoméstico, la puerta permanece cerrada.

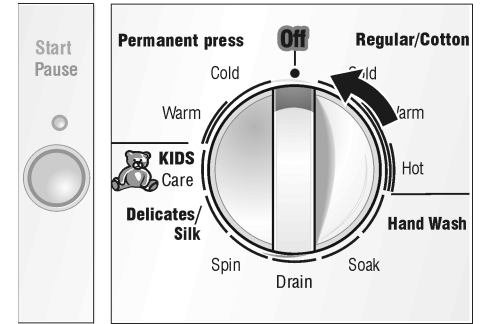
Después del lavado

La luz indicadora **Start/Stop** se apaga.

En el display se indica 0:00.



- Abra la puerta.



- Gire el selector de programas a **Off**.
- Cierre los grifos.
- Quite la ropa.

Si se ha seleccionado "no final spin" (sin centrifugado final)

El indicador luminoso **Start/Pause** centillea.

- Gire el selector de programas a **Drain**. El indicador luminoso **Start/Pause** centillea.
- Presione el botón **Start/Pause**. La luz indicadora está encendida.
- Si este programa ha concluido, abra la puerta.
- Gire el selector de programas a **Off**.
- Cierre los grifos.
- Quite la ropa.
- i** Después de lavarse, deje la puerta de carga entreabierta, para permitir que se seque el interior de la máquina de lavar.

Limpeza y cuidado

Limpiar la lavadora



ADVERTENCIA



¡PARA EVITAR Existe riesgo de descargas eléctricas!
Desconecte siempre el electrodoméstico del tomacorriente antes de limpiarlo.
Nunca limpie la máquina de lavar con un chorro de agua a presión.



ADVERTENCIA



¡PARA EVITAR Existe riesgo de explosión!
Nunca debe utilizar solventes inflamables para limpiar el electrodoméstico.

CUIDADO

Controle de vez en cuando, si no hay objetos extraños (como monedas o broches para papel) entre el tambor y la junta de goma.
PARA EVITAR Existe peligro de oxidación.

Limpeza de la carcasa y el panel de control del electrodoméstico

Si hace falta:

- ❑ Utilice agua caliente con jabón o un agente de limpieza no abrasivo.
- ❑ Friccione hasta que se seque mediante un paño suave.

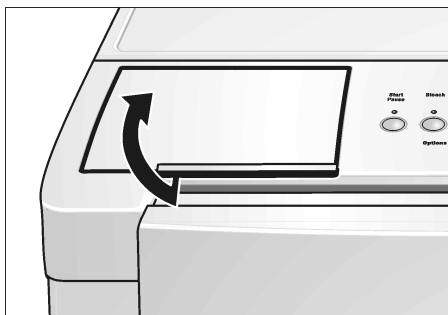
Limpeza del tambor

Si se han formado manchas de óxidos debido a objetos olvidados (como monedas, broches para papel o clavos):

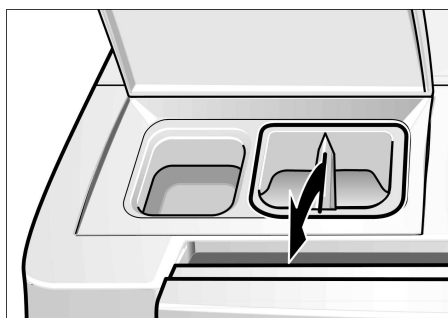
- ❑ Utilice un agente de limpieza sin cloro y siga las instrucciones del fabricante. No debe utilizarse lana de acero.

Limpeza de los compartimientos para detergente

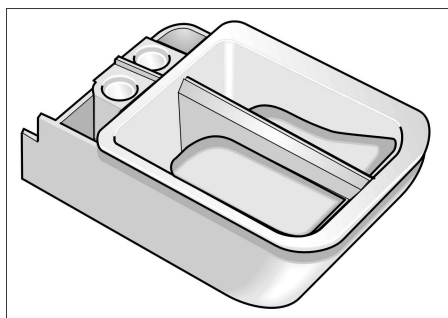
Si se han acumulado restos de detergente o aditivos o si el suavizante o blanqueador no se ha escurrido por completo:



- ❑ Abra la tapa del compartimiento para el detergente.



- ❑ Tire del compartimiento para detergente verticalmente hacia arriba y quitelo.
- ❑ Limpie el compartimiento para detergente bajo agua corriente. ¡Puede desarmárselo en dos partes!



- ❑ Introduzca el compartimiento para detergente en su lugar, hasta que queda fijado mediante un clic.

Limpeza de los filtros de acceso de agua

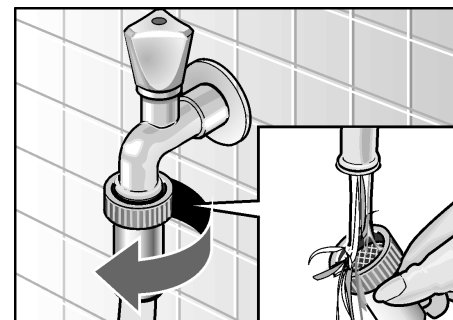
Esto es necesario si entra solo una cantidad reducida de agua o si no entra agua alguna en la máquina de lavar.

Primero deberá descargar la presión de agua en las mangueras de alimentación:

- ❑ Cierre los grifos de agua.
- ❑ Gire el selector de programas a un programa cualquiera (exceptuando **Spin** o **Drain**).
- ❑ Presione el botón **Start/Pause** y espere aproximadamente un minuto.
- ❑ Gire el selector de programas a **Off**.

Limpeza de el(los) filtro(s) en los grifos de agua

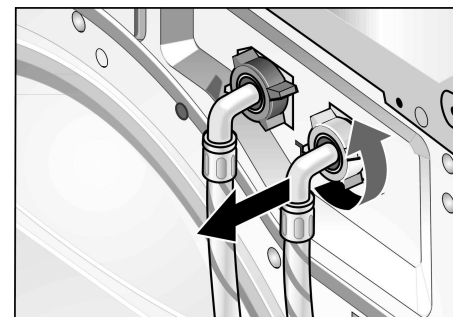
En ambos grifos de agua, tanto fría como caliente:



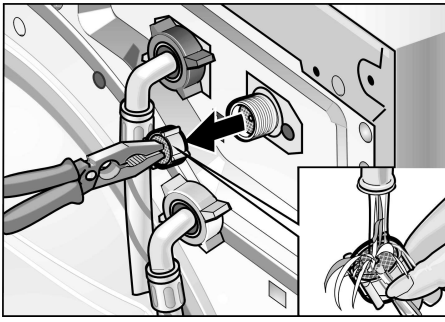
- ❑ Desconecte la manguera del grifo de agua.
- ❑ Limpie el filtro bajo agua corriente.
- ❑ Vuelva a conectar la manguera.

Limpeza de los filtros en la máquina de lavar

En ambos grifos de agua, tanto fría como caliente:



- ❑ Desconecte la manguera de la parte posterior de la máquina de lavar.



- ❑ Quitar el filtro, tirando de él y aclararlo bajo agua corriente.
- ❑ Coloque el filtro y conecte la manguera.
- ❑ Cierre los grifos de agua y controle que no haya pérdidas. Si pierde agua, controle que los filtros estén correctamente colocados.
- ❑ Cierre los grifos de agua.

Consejos respecto de la limpieza

Se recomienda hacer circular una pequeña cantidad de blanqueador a través de la lavadora cada tres meses. Sin colocar ropa en la máquina, hágala funcionar como sigue:

- ❑ Vierta una taza de blanqueador en el compartimiento para el detergente del dispensador.
- ❑ Haga funcionar el programa Regular/Cotton Hot.

Descalcificación de la máquina de lavar

CUIDADO

Los agentes descalcificadores contienen ácidos que atacan las partes interiores de la máquina de lavar y los colores de la ropa.

Si usted usa el detergente correcto, no es necesario descalcificar la máquina de lavar.

Si en el interior de la máquina de lavar aparecen manchas blancas, cal o depósitos minerales, puede usar un agente descalcificador para eliminarlos. Sin embargo, se recomienda seguir las instrucciones del fabricante del descalcificador, si hace falta realizar este procedimiento en el electrodoméstico.

Localización de fallos menores

ADVER-
TENCIA

¡PARA EVITAR Existe riesgo de descargas eléctricas!
Eventuales reparaciones debe efectuarlas exclusivamente un técnico autorizado.

Si es necesario efectuar reparaciones y usted no puede eliminar el fallo mediante la tabla siguiente:

- Gire el selector de programas a **Off**.
- Desconecte la máquina de lavar del tomacorriente.
- Cierre los grifos de agua.
- Llame al servicio para clientes (consulte la página 85).

Fallo	Causa posible	Acción a realizar
No puede abrirse la puerta.	Se ha seleccionado "No final speed".	Seleccione Drain o Spin .
	Fallo en el suministro de energía.	Un programa interrumpido continúa una vez restablecido el suministro de energía. Si debe quitarse la ropa durante un fallo en el suministro de energía, llame al servicio para clientes (ver página 85).
	El programa está en curso y/o la puerta está trabada debido a razones de seguridad.	Espere que finalice el programa; ver página 80.
	El tomacorriente está suelto o no conectado.	Elimine la causa.
No puede abrirse la puerta aún cuando se ha apagado y vuelto a encender el electrodoméstico.	El selector de programas fue girado a Off antes que el programa haya concluido.	Seleccione el programa.
	Por razones de seguridad, la puerta se ha trabado porque el nivel de agua, o la temperatura o la velocidad de giro es demasiado elevada.	Consulte "Agregar una prenda o interrumpir el programa" en la página 80.
No se encienden las luces de control.	Se ha quemado un fusible.	Cambie el fusible defectuoso.
	Fallo en el suministro de energía.	Llame el servicio a clientes si vuelve a ocurrir el fallo. Un programa interrumpido de este modo, continúa cuando el suministro de energía se restablece. Si debe quitarse la ropa durante un fallo en el suministro de energía, llame al servicio para clientes (ver página 85).
El programa no arranca. El indicador luminoso Start/Pause centellea.	No está presionado el botón correspondiente.	Presione el botón Start/Pause .
El programa no arranca. Está encendida la luz de control " finished " y en el display centellea " E:01 "	La puerta no está correctamente cerrada.	Controle si hay prendas atrapadas en la puerta. Cierre la puerta (debe escucharse un clic). El programa continúa.
	No puede seleccionarse la velocidad de centrifugado.	Seleccione la velocidad antes del centrifugado.
Hay residuos de detergente en el compartimiento correspondiente.	Todavía está en progreso el centrifugado. Durante este proceso no puede modificarse la velocidad de centrifugado.	Si hace falta, seleccione otro programa.
	El selector de programa está ajustado a Drain ; No es posible el centrifugado en este programa.	Limpie y seque el compartimiento para detergente. Ver página 81. Use la medida de la botella de detergente líquido para medirlo.
El agua no penetra en la máquina de lavar o el detergente no es arrastrado por el agua al interior de la máquina. La luz indicadora " spin " está encendida y en el display centellea la indicación " E:02 " o " E:03 ".	El detergente está húmedo o grumoso.	Abra los grifos de agua y presione el botón Start/Pause . El programa continúa.
	Los grifos de agua están abiertos.	Elimine la causa.
	Las mangueras de alimentación están retorcidas o perforadas.	Limpie los filtros de acceso del agua. Ver página 81.
	Los filtros en la alimentación de agua están obstruidos.	Elimine la causa.
	La presión de agua es demasiado baja.	

Fallo	Causa posible	Acción a realizar
No se ve agua en el tambor.	Esto no es un fallo. El nivel de agua está por debajo del nivel visible del tambor.	
Sin agua en el recipiente, se enciende la luz indicadora "rinse" y en el display se visualiza "E:04" intermitentemente.	Mucha espuma o bomba bloqueada.	Utilice menos detergente en cargas posteriores. Detergentes especialmente desarrollados para su lavadora de alto rendimiento producen menos espuma y presentan las siglas "HE" en el embalaje. Limpie el tubo de descarga y/o la manguera correspondiente. Gire el selector de programas a "off" y vuelva a hacer arrancar el programa "drain".
Sale agua de la parte inferior de la máquina.	La rosca de las mangueras de alimentación no está ajustada. Hay una pérdida en las mangueras.	Ajuste las roscas. Cambie la manguera de alimentación.
Sale espuma por el compartimiento para el detergente.	Puede ocurrir que la bomba no pueda evacuar totalmente la espuma si se emplea jabón en exceso o jabones que no son del tipo HE.	Mezcle una cucharadita de suavizante para ropa con 1 pt (½ litro) de agua y viértalos en el compartimiento III para detergentes. Utilice menos detergente en cargas posteriores. Detergentes especialmente desarrollados para su lavadora de alto rendimiento producen menos espuma y presentan las siglas "HE" en el embalaje.
Centrifugados repetidos.	Esto no es un fallo. El sistema de balanceo para la carga está intentando acomodar a ésta a través de diversos centrifugados.	Cargue siempre el tambor con prendas grandes y pequeñas conjuntamente.
La ropa no se centrifuga.	Se han enredado prendas grandes y no pueden distribuirse en forma pareja dentro del tambor. Debido a ello, se suprime el centrifugado a alta velocidad, por razones de seguridad.	Cargue siempre el tambor con prendas grandes y pequeñas conjuntamente.
Se prolonga la duración del programa.	Esto no es un fallo. El sistema de detección de espuma a agregado un ciclo de aclarado adicional para reducir la cantidad de espuma. Esto no es un fallo. El sistema de balanceo para la carga está intentando acomodar a ésta a través de diversos centrifugados.	Agregue una cantidad más adecuada de detergente. Cargue siempre el tambor con prendas grandes y pequeñas conjuntamente.
Resultados de lavado no satisfactorios.	El grado de suciedad es mayor que el estimado. No hay suficiente detergente.	Seleccione un programa adecuado o Heavy duty como opción adicional. Agregue detergente según las especificaciones del fabricante del mismo.
Hay residuos de detergente en la ropa.	Algunos detergente libre de fosfatos contienen sustancias no solubles en agua, que aparecen como pequeñas manchas en la ropa.	Cepille las manchas, una vez que la ropa está seca.
Hay residuos grises sobre la ropa.	Acumulación de suciedad sobre ungüentos, grasas o aceites.	Agregue la máxima cantidad de detergente y seleccione la mayor temperatura permitida.
El sistema vibra u oscila mientras pasa de velocidades de centrifugado menores a superiores.	El sistema de montaje del tambor puede desplazarse durante el proceso de aceleración. Esto no representa un desperfecto.	Mezcle piezas de ropa pequeñas con otras mas grandes a fin de minimizar este efecto.

Si no se puede solucionar el fallo con la ayuda de la tabla anterior: apague el electrodoméstico, espere 5 segundos, vuelva a encender el electrodoméstico, seleccione el programa y póngalo en marcha.
Si el problema sigue, llame el servicio a clientes. Ver página 85.

Servicio a clientes

La máquina de lavar no requiere de otros cuidados especiales, aparte de aquellos especificados más arriba. Si usted tiene algún problema con la máquina de lavar, rogamos consultar la página 83 antes de llamar el servicio a clientes.

Si se hace necesario un servicio, póngase en contacto con su vendedor, instalador u otro centro de servicios autorizado. No intente reparar el electrodoméstico usted mismo. Cualquier trabajo realizado por personal no autorizado, hará caducar la garantía.

Si tiene problemas y no está conforma con el servicio recibido:

- ❑ rogamos, como primera medida, ponerse en contacto con su instalador o el servicio autorizado de su área, explicando a que se debe su disconformidad.
- ❑ Si después del trabajo realizado por su instalador o técnico de servicio el problema no ha sido solucionado a su satisfacción, háganoslo saber, o bien escribiendo a:

BSH Home Appliances
5551 Mc Fadden Ave.
Huntington Beach, CA 92649

O bien llámenos a:
1-800-944-2904

Tanto en caso de escribir o de llamar, infórmenos respecto del:

- Número de modelo
- Número de serie
- Fecha de compra original
- Fecha en la cual ha ocurrido el problema
- Explicación del problema

En caso que nos escriba, rogamos incluir un número telefónico diurno y una copia de la factura de compra.

Usted encontrará el número de modelo y de serie sobre la chapa de características visible cuando la puerta está abierta.



DECLARACIÓN DE GARANTÍA LIMITADA

Que cubre y a que se aplica esta garantía:

La garantía limitada emitida por BSH Home Appliances para electrodomésticos domiciliarios, se aplica exclusivamente a la lavadora (Essence Bosch) comprada por usted, el primer propietario, siempre que el producto haya sido comprado: (1) para su uso normal, doméstico (no comercial), y haya sido utilizado de hecho, exclusivamente para uso domiciliario normal durante la totalidad del tiempo; (2) nuevo del distribuidor (ni como visto, ni "en su estado actual" o modelo de devolución) no siendo destinada a la reventa o uso comercial y; (3) dentro de los Estados Unidos o Canadá, habiéndose encontrado permanentemente dentro del país de compra original. Las garantías contenidas en este documento se aplican exclusivamente al primer comprador y no son transferibles.

i Favor de enviarnos su tarjeta de registro. Si bien no es necesario para la cobertura de la garantía, es la mejor manera para Bosch, para el caso improbable que haya que hacerle llegar un aviso de seguridad o que hubiera que regresar el producto a fábrica.

Duración de la garantía: Bosch garantiza que el producto está libre de fallas en el material o debidas a la producción por un tiempo de trescientos sesenta y cinco (365) días a partir de la fecha de compra. El periodo de tiempo mencionado anteriormente, comienza con la fecha de compra y no puede interrumpirse, prolongarse, extenderse o suspenderse por razón alguna.

Reparación/recambio como Única solución: Durante el periodo de garantía, Bosch o uno de sus servicios autorizados va a reparar su unidad libre de costes (sujeto a determinadas limitaciones que se detallan aquí), si existen pruebas de la existencia de fallos en el material o durante el proceso de producción. Si luego de intentos razonables de reparación, no se arriba a una solución aceptable, Bosch le reemplazará la unidad (pudiendo usted acceder a productos más modernos, a través de un coste adicional, si Bosch así lo decide). Bosch puede optar por reservarse la propiedad de las partes y/o componentes cambiados y/o reparados/os. Todas las piezas reemplazadas o reparadas, asumirán las propiedades de las originales a los fines de esta garantía, no extendiéndose la garantía respecto de

estas partes. La obligación y responsabilidad de Bosch se limita a reparar productos con fallos de producción, utilizando los servicios autorizados dentro de los horarios comerciales usuales. En cuanto a desperfectos de seguridad o roturas. Bosch recomienda encarecidamente, no reparar la unidad personalmente, ni utilizar prestadores de servicio no autorizados, ya que no asume responsabilidad u obligación alguna por reparaciones o trabajos efectuados por prestadores no autorizados. Si usted decide utilizar otro prestador de servicios que aquellos autorizados por Bosch, **ESTA GARANTÍA CADUCARA INDECLINABLEMENTE**. Prestadores autorizados, son aquellas personas o compañías especialmente adiestradas para atender los productos de Bosch y que poseen, según la opinión de Bosch, una habilidad técnica y formación más adecuadas para los fines del servicio técnico (nótese que se trata de entidades independientes que no son agencias, socios, filiales o representantes de Bosch). Sin perjuicio de lo anterior, Bosch no acepta obligación ni asume responsabilidad alguna, si el producto se emplaza en zonas, alrededores o ambientes alejados (más de 100 millas del prestador de servicio más próximo) o razonablemente inaccesible, peligroso, inseguro o comprometido. En todos estos casos, si usted lo requiere, Bosch pagará por el trabajo, las partes y su envío al prestador de servicio más cercano, siendo usted responsable por el traslado, el tiempo u otros costes de la compañía, asumiendo ésta acuerde realizar la prestación de servicio.

Producto fuera de garantía: Bosch no asume obligación alguna (legal o de otro tipo) de proveerle accesorios, incluyendo reparaciones, suministro o reemplazo de productos, una vez la garantía ha expirado.

Exclusiones de la garantía: Se excluye de la cobertura detallada en esta garantía, todos los daños o desperfectos, que no se deban a una falencia directa de Bosch, incluyendo sin límites uno o más de los siguientes puntos: (1) el uso del producto en forma distinta a la normal o en desacuerdo con el uso debido (incluyendo sin limitaciones, cualquier forma de uso comercial uso o almacenamiento de productos destinados para el interior en el exterior, uso del producto en combinación con medios de transporte aéreos o acuáticos; (2) el mal uso

intensional, negligencia, uso impropio, accidente, operación inadecuada, instalación inadecuada o negligente, vandalismo, desatención de las instrucciones de funcionamiento, falta de mantenimiento, reparaciones efectuadas por personal no autorizado, (incluyendo el "fixing" o la exploración del funcionamiento interno del electrodoméstico en forma no autorizada); (3) ajuste, alteración o modificación de cualquier tipo; (4) un fallo debido al incumplimiento de cualquier norma, regla, o ley estatal, local, municipal o nacional, eléctrica, de plomería y/o edilicia, incluyendo fallos debidos a la instalación del equipo en disconformidad con reglas contra el incendio o de normas edilicias; (5) prendas o géneros, alimentos desparamados o líquidos derramados, acumulaciones de grasas u otras sustancias sobre, en o alrededor el producto y (6) cualquier fuerza o factor externo o del medio ambiente, incluyendo sin límites la lluvia, el viento, arena, inundaciones, incendios, avalanchas de lodo, temperaturas por debajo del punto de congelación, humedad excesiva o exposición demasiado prolongada a la misma, relámpagos, sobre tensiones, fallos estructurales en los alrededores del electrodoméstico o eventos de fuerza mayor. En ninguno de estos casos, Bosch asume obligación o responsabilidad alguna, al igual que por daños producidos en la propiedad circundante, incluyendo muebles, pisos, cielorrasos y otras estructuras y objetos que rodean el producto. También se excluyen de esta garantía ralladuras, muescas, abolladuras menores y daños en la vista o en superficies externas expuestas. Productos en los cuales haya sido alterado, borrado o eliminado el número de serie, o bien visitas de servicio, en las cuales el equipo no haya presentado desperfecto, para corrección de desperfectos en la instalación (usted es el único responsable por toda la utilidad y la infraestructura para el producto, incluyendo las instalaciones eléctricas, de plomería u otras conexiones, por la fundamentación adecuada y por cualquier modificación, incluyendo sin limitaciones, los muebles, paredes, pisos, estanterías, etc.) y la puesta en marcha o reparación de interruptores o fusibles. **DENTRO DE LO QUE MARCA LA LEY, ESTA GARANTÍA DETERMINA SUS RECURSOS RESPECTO DE ESTE PRODUCTO, TANTO LOS RECLAMOS CONTRACTUALES COMO INFUNDADOS O DE OTRA ÍNDOLE**

(TANTO EN CUANTO A RESPONSABILIDAD ABSOLUTA, COMO POR DESCUIDO). ESTA GARANTÍA VALE EN LUGAR DE TODA OTRA GARANTÍA, TANTO IMPLÍCITA COMO EPLÍCITA, CUALQUIER OTRA GARANTÍA DICTADA POR LA LEY, RESPECTO DE COMERCIALIZACIÓNMO, ADECUACIÓN PARA UN PROPÓSITO PARTICULAR, SERÁ VÁLIDA EXCLUSIVAMENTE POR EL PERÍODO DE VALIDÉZ DE ESTA GARANTÍA LIMITADA. EN NINGÚN CASO, EL FABRICANTE SERÁ RESPONSABLE POR DESPERFECTOS ESPECIALES, INCIDENTALES, INDIRECTOS O PUNITIVOS, PÉRIDAS O COSTES, INCLUYENDO PÉRDIDAS DE TIEMPO DE TRABAJO, COSTES DE HOTELES, ALIMENTOS, COSTES DE ADECUACIÓN DEBIDO A DAÑOS DEBIDOS EXCLUSIVAMENTE A BOSCH.

ALGUNOS ESTADOS NO PERMITEN LA EXCLUSIÓN O LIMITACIÓN POR DAÑOS INCIDENTALES O RESULTANTES Y OTROS NO PERMITEN LIMITACIONES EN LA DURACIÓN DE LAS GANANTÍAS. EN ESTOS PAÍSES, USTED NO ESTÁ AFECTADO POR LAS LIMITACIONES RESPECTIVAS AQUÍ DESCRITAS. ESTA GARANTÍA LE DA DERECHOS LEGALES ESPECÍFICOS, PUDIENDO USTED TENER OTOS DERECHOS QUE VARIAN DE UN ESTADO A OTRO.

No intente alterar, modificar o enmendar esta garantía, sin la autorización escrita oficial de BSH.
Como acceder a los servicios de garantía: A fin de obtener servicios de garantía para su producto, deberá contactar el centro de servicio técnico Bosch, más cercano a su domicilio.
BSH Home Appliances –
5551 McFadden Avenue
Huntington Beach,
CA 92649
1-800-944-2904

DECLARACIÓN DE GARANTÍA PARA LAVADORAS BOSCH

Las garantías brindadas por BSH Home Appliances ("Bosch") en esta declaración son aplicables únicamente a lavadoras Bosch

vendidas al consumidor final por Bosch o sus comerciantes autorizados, revendedores o centros de servicio en

los Estados Unidos o Canadá. Las garantías aquí descritas no son transferibles.

DURACIÓN DE LA GARANTÍA	Alcances de la garantía
Amplia garantía limitada a un año a partir de la fecha de instalación *	Bosch se hará cargo libre de costos de la reparación o reemplazo de cualquier componente que presente defectos en condiciones de uso domiciliario normal, incluyendo los costos de mano de obra y transporte. La reparación cubierta por la garantía deberá efectuarse en un Centro de Servicio Autorizado Bosch (se excluyen aspectos estéticos).
Garantía limitada a 2 años a partir de la fecha de instalación *	Bosch proveerá piezas de recambio libre de costos para cualquier componente que presente defectos en condiciones de uso domiciliario normal, incluyendo los costos de transporte.
Garantía limitada a componentes electrónicos por 2 años a partir de la fecha de instalación *	Bosch se hará cargo, libre de costos, de la reparación o reemplazo de placas de microprocesadores o impresas que presenten defectos en condiciones de uso domiciliario normal por un período de dos años a partir de la fecha de su primera instalación, excluyendo costos de mano de obra.
Garantía limitada al motor por 2 años a partir de la fecha de instalación *	Bosch se hará cargo, libre de costos, de la reparación o reemplazo de todo motor o componente del mismo que presente defectos en condiciones de uso domiciliario normal, por un período de dos años a partir de la fecha de su primera instalación, excluyendo costos de mano de obra.
*La fecha de instalación se refiere o bien a la fecha de instalación de la lavadora propiamente dicha o a diez días hábiles a partir de la fecha de entrega.	

Exclusiones

Esta garantía no cubre llamadas de servicio o reparaciones para corregir la instalación de la lavadora, suministrar instrucciones referentes al uso de la misma, reemplazar fusibles domiciliarios o reparaciones de plomería o cableado en el domicilio del usuario o para reparar cualquier lavadora que fue usada en forma diferente a la normal o usual a la domiciliaria.

Adicionalmente, las garantías provistas en esta declaración excluyen todo defecto o daño proveniente de accidente, alteración, uso inadecuado, abuso, instalación inadecuada, trabajos de servicio no autorizado, influencias externas más allá de los alcances de Bosch, como fuego, inundaciones, fuerza mayor, o instalación en desacuerdo con reglas locales de plomería y electricidad

. Costos de mano de obra producidos por la reparación o reemplazo de las lavadoras después de un período de un año a partir de la fecha de instalación pueden no estar cubiertas por esta garantía. Todas y cada una de las piezas reparadas y/o cambiadas deberán ser originales o autorizadas a los fines de aplicación del período de garantía.

DENTRO DEL MARCO DE LA LEY, ESTA GARANTÍA VALE EN LUGAR DE TODA OTRA GARANTÍA IMPLÍCITA O EXPLÍCITA, INCLUYENDO LAS GARANTÍAS IMPLÍCITAS DE COMERCIALIZACIÓN Y APTITUD PARA USOS PARTICULARES. BOSCH NO ASUME RESPONSABILIDAD ALGUNA POR DAÑOS INCIDENTALES O DERIVADOS.

PARA SOLICITAR SERVICIOS DE GARANTÍA, DIRIGIRSE AL CENTRO DE SERVICIO BOSCH MAS CERCANO O LLAMAR AL 1-800-944-2904, O ESCRIBIR A:
BSH HOME APPLIANCES
ATTN. SERVICE
5551 MC FADDEN AVE.
HUNTINGTON BEACH, CA 92649
ASEGÚRESE DE AGREGAR EL MODELO Y EL NÚMERO DE SERIE DE SU LAVADORA, LA FECHA DE COMPRA, NOMBRE Y DIRECCIÓN DEL VENDEDOR, FECHA CUANDO OCURRIÓ EL PROBLEMA, TELÉFONO DONDE PUEDE HABLARSE EN HORARIO DIURNO Y UNA COPIA DE SU FACTURA DE VENTA.



Tabla de selección de los programas de lavado Nexxt 300 Serie

Lea atentamente las instrucciones de uso, cuidado e instalación antes de usar la máquina por vez primera.

BOSCH

Clase de tejidos Ténganse presentes los símbolos que figuran en las etiquetas de las prendas	Programa*	Tempratura en °F (°C)	Duración del programa (Grado de suciedad) en minutos (approx.) *	Funciones adicionales (aprox.)* (Duración + / -, en minutos)				Máxima carga admisible:
				Lavado intensivo (para ropa muy sucia)	Agua extra (Aclarado adicional)	Blanqueador	Sin cantrif. final (Velocidad de centrifugado)	
Prendas de tejidos resistentes de algodón o lino 	Regular/Cotton Hot	125 (52)	60	+40			-16	Carga completa
	Regular/Cotton Warm	95 (35)	60					
	Regular/Cotton Cold	60 (15)	60					
Ropa syntética de algodón, tejidos sintéticos o mixtos 	Kid's Care	150 (66)	120	+30	+10	+12	- 17	1/2 carga
	Permanent Press Warm	95 (35)	56					
	Permanent Press Cold	60 (15)	56					
Ropa delicado y tejidos sintéticos (Prendas voluminosas)	Delicates/Silk	90 (32)	41	+10	+7		- 8	1/3 carga
Prendas muy delicadas 	Hand Wash	75 (27)	26				- 3	

Programas adicionales

Selector de programas	Advertencias / Aplicación	Duración del programa en minutos (aprox.) *
Aclarado	Ciclo de aclarado para prendas poca sucias (también con suavizante). Concluye con un breve centrifugado.	120
Centrifug. adncional	Ciclo para centrifugado de prendas sueltas lavadas a mano. El agua de lavado se descarga antes relizar el centrifugado.	9
Desaguar	Descarga del agua del aclarado tras un programa con lavado con la opción <Sin cantrif. final>	2





* La duración efectiva de los programas puede divergir de los valores reseñados en función de la presión y la calidad del agua de red, la clase y cantidad de las prendas cargadas en la máquina, así como el detergente empleado.



Program selection table Nexxt 300 Series

Please read and observe Operating, Care and Installation Instructions carefully before using the washing machine !

BOSCH

Type of laundry Check care labels on article!		Program*	Temperature in °F (°C)	Program duration in min. (approx.) *	Additional options (approx.) * (+ / - Time in min)				Maximum amount of laundry:
					Power Wash (for heavy soiled)	Rinse plus (additional Rinse)	Bleach	no final spin (spin speed selection)	
Cotton or linen 	colorfast fabrics	Regular/Cotton Hot	125 (52)	60	+40			-16	full load
	non-colorfast fabrics	Regular/Cotton Warm	95 (35)	60					
		Regular/Cotton Cold	60 (15)	60					
Synthetics or blends 	colorfast fabrics	Kid's Care	150 (66)	120	+30	+10	+12	- 17	1/2 load
	non-colorfast fabrics	Permanent Press Warm	95 (35)	56					
		Permanent Press Cold	60 (15)	56					
Delicate easy care items  (Bulky items)		Delicates/Silk	90 (32)	41	+10	+7		- 8	1/3 load
Very delicate easy care items 		Hand Wash	75 (27)	26				- 3	

Additional Programs

Program selector	Notes / Application	Program duration in min. (approx.) *
Soak	Soak cycle is used to pre-treat heavily stained items. The cycle ends with a short spin.	120
Spin	Spin cycle for spinning hand-washed laundry. Drain pump operates prior to and during spinning.	9
Drain	To drain water after a program with the "No final spin" option for gentle treatment of delicate laundry.	2

* Actual program duration may be different from the indicated values depending on water supply and quality, type and amount of load and detergent, as well as other factors.