



Bosch Nexxt[®] 800 Series Washer



BOSCH
Invented for life



en Washer: Operating, Care and Installation Instructions
fr Lave-Linge: Notice d'utilisation, de maintenance et d'installation
es La lavadora: Operación, cuidado y instrucciones para la instalación

Features and Benefits of Your New Washer

SENSOTRONIC® Technology

The Bosch **SENSOTRONIC®** technology optimizes the wash process at every stage of the cycle by sensing load size, water level and temperature needs for superior results. Digital sensors care for all fabrics including wool, mohair and silk. This machine virtually operates at the touch of a button.

Exclusive Hinge and Gasket System

A reinforced hinge and a new, revolutionary gasket design help seal in the heat, allowing your laundry to reach the optimum temperature, which eliminates even the toughest stains.

3-Part Detergent Dispenser

A 3-part dispenser automatically distributes detergent, bleach and softener at exactly the right times.

XXTRASANITARY™ Cycle

With this innovative cycle, a thermostat-controlled, intelligent sensor heats up the water to 170° F. The clothes are thoroughly cleaned and sanitized while killing 99.99% of most common household bacteria.

KIDSCARE™ Cycle

The littlest people in the house usually account for the toughest stains. This cycle heats the wash water up to 150° F to remove even the most stubborn stains with ease.

Archie Paddles

As your wash gently tumbles, Archie paddles cascade water from high above, rinsing away suds and giving your laundry a complete, even clean. An inclined drum optimizes performance to ensure not a single shirt goes unturned.

Stainless Steel Drum

The **Nexxt®** washer drum has hundreds of smooth double punched holes, which allow your garments to gently tumble completely snag-free.

Internal Water Heater

An internal heating element heats the water to up to 170° F while a digital temperature sensor continually monitors the water temperature. Bosch **Nexxt®** washers deliver the most efficient and accurate water heating method for each selected fabric type.

Quiet Performance

Bosch washers use suspended brushless motors, isolated pump systems and special sound-deadening material to keep them exceptionally quiet while in operation. This means they can be installed virtually anywhere in the home without causing a disturbance. Bosch's special unbalance control software eliminates noisy unbalance conditions.

AQUASTOP®

AQUASTOP® is an internal containment safety system designed to protect against flood-type leakage to decrease the chance of water damage when the washer is turned on and operating.

AQUASTOP® Hose

The **AQUASTOP®** Hose stops water flow in the event the **AQUASTOP®** Hose experiences flood-type leakage.

Table of Contents

Definitions	4
IMPORTANT SAFETY INSTRUCTIONS	4
Grounding Instructions	5
INSTALLATION INSTRUCTION	6
Introduction	6
Information concerning waste disposal	6
Intended use	6
Environmental Protection / Conservation Issues	6
Factory-supplied equipment	6
Dimensions	7
Installation area	7
Removing the transport bolts	8
Water connection	9
Electrical connection	10
Leveling procedure	10
Transport, such as when moving out	11
OPERATING INSTRUCTION	12
Panel	12
Before Using For the First Time	13
Using For the First Time	13
Setting the time	13
Selecting the Language	13
First washing cycle (without laundry)	13
Preparing the laundry	14
Sorting the laundry	14
Degrees of soiling	14
Loading the laundry	15
Laundry Detergents and Additives	16
Dispensing the correct amount of detergent	16
Filling laundry detergent and/or additives	16
Decolorizing	16
Programs and Functions	18
Option buttons	17
Washing with Individual Settings	19
Quick Overview	19
Special features	20
Child lock	20
During Washing	21
Re-selecting a program	21
Add a garment / Interrupting the program	21
Canceling the active program	21
After Washing	21
User Maintenance Instructions	22
Cleaning and Care	22
Cleaning the appliance housing and control panel	22
Cleaning the drum	22
Cleaning the detergent dispenser	22
Cleaning water inlet strainers	22
Descaling the washing machine	23
Troubleshooting of Minor Faults	24
Customer Service	27
STATEMENT OF LIMITED PRODUCT WARRANTY	28
Program Selection Table	96

Congratulations!

The new washing machine you just purchased is a modern, high quality domestic appliance.

This modern washing machine cleans your laundry using the most sophisticated washing processes to obtain superior cleaning results.

Excellent engineering and reliability reduces operating costs significantly.

An easy operation philosophy, a variety of customized washing programs and a solid touch and feel makes this appliance a user-friendly assistant in your household.

It offers the following standard features:

- Low noise level for washing and spinning.
- High door with magnetic door lock.
- Door opening 16 inches (41 cm), quality sturdy hinge, opening angle –180°.
- Drum capacity 22 lbs (10 kg) for regular cotton.

Each washing machine which leaves our factory has undergone a thorough performance test and is in full working condition. The appliance may contain residual water due to the testing procedures. If you have any questions concerning installation of the washing machine, our customer service will be happy to advise you.

Further information and a selection of our products can be found on our Web site: www.boschappliances.com

Please read and follow these operating and installation instructions along with all other information enclosed with the washing machine.

These operating and installation instructions describe various models. Differences are indicated in the appropriate places.

The illustrations may show different details than your washer.

Definitions



WARNING

WARNING – This indicates that death or serious injuries may occur as a result of non-observance of this warning.



CAUTION

CAUTION – This indicates that minor or moderate injuries may occur as a result of non-observance of this warning.

NOTICE

NOTICE – This indicates that damage to the appliance or property may occur as a result of non-observance of this warning.



This symbol is used to draw the user's attention to important matters.

IMPORTANT SAFETY INSTRUCTIONS



WARNING

To reduce the risk of fire, electric shock, serious injury or death when using your washing machine, follow basic precautions, including the following:

1. BOSCH washers are provided with an Operating, Care and Installation Instructions Manual. Read and understand all instructions before using the washing machine.
2. Do not wash articles that have been previously cleaned, washed, soaked, or spotted with gasoline, dry cleaning solvents, other flammable or explosive substances as they give off vapors that could ignite or explode.
3. Do not add gasoline, dry cleaning solvents, or other flammable or explosive substances to the wash water. These substances give off vapors that could ignite or explode.
4. Under certain conditions hydrogen gas may be produced in a hot water system that has not been used for 2 weeks or more. **HYDROGEN GAS IS EXPLOSIVE.** If the hot water system has not been used for this length of time, turn on all hot water faucets and let the water flow out of each faucet for several minutes before using the washing machine. This will release any accumulated hydrogen gas. As the gas is flammable, do not smoke or use an open flame while carrying out this procedure.
5. Before the appliance is removed from service or discarded, remove the door and the power cord/plug.
6. Do not reach into the appliance if the wash drum is moving.
7. Do not install or store this appliance where it will be exposed to the weather.
8. Do not tamper with the controls.
9. Do not repair or replace any part of the appliance or attempt any service unless specifically recommended in the user maintenance instructions or in published user repair instructions that you understand and have the skills to carry out.
10. Always unplug the washing machine from the power supply before attempting any service. Disconnect the power cord by grasping the plug, not the cord.
11. To reduce the risk of fire, clothes, cleaning rags, mop heads and the like which have been soiled with any flammable substance, such as vegetable oil, cooking oil, petroleum based oils or distillates, waxes, fats, etc., must be kept away from any source of ignition, including a clothes dryer. These items may contain flammable substances which, even after washing, may smoke or catch fire.

12. Do not machine wash fiberglass materials (such as curtains and window coverings that use fiberglass materials). Small particles may remain in the washing machine and stick to fabrics in subsequent wash loads causing skin irritation.
13. When children become old enough to operate the appliance, it is the legal responsibility of the parents or legal guardians to ensure that they are instructed in safe practices by qualified persons.
14. Do not allow children to play on or with the appliance. Close supervision of children is necessary when the appliance is used near children.
15. Keep pets away from the washing machine.
16. Do not insert/pull out the power plug with wet hands.
17. Do not touch the door if washing at high temperatures.
18. Use caution when draining hot water.
19. Do not climb onto the washing machine and/or lean on the open door.
20. Do not sit or stand on the top of the washing machine.
21. To reduce the risk of fire or electrical shock, DO NOT use an extension cord or an adapter to connect the washing machine to the power supply.
22. The washing machine must only be used for its intended purpose.
23. Always follow the fabric care instructions recommended by the clothing manufacturer.
24. Do not use the washing machine if it has a worn power cord or loose plug. If this is the case, contact an authorized service agent.
25. Make sure that all water connections to the washing machine have shut-off valve(s) that are readily accessible. Close the washing machine water shut-off valve(s) at the end of each wash day.
26. Check the fill hose connections on a regular basis to ensure that they are tight and not leaking.
27. Always read and follow the instructions of the manufacturer of the detergent(s), cleaning aid(s), fabric softener(s) and static eliminator(s) which you are using. Heed all warnings and precautions.
28. Store all laundry chemicals and aids in a cool dry place according to the manufacturers' instructions.
29. To reduce the risk of poisoning or chemical burns, keep all cleaning products out of the reach of children.
30. Do not operate the washing machine if any guards, panels and/or fasteners except transport fixing bolts have been removed.
31. Do not operate the washing machine if parts are missing or broken.
32. Do not bypass any safety devices.
33. To avoid floor damage and mold growth, do not let spills or splashes cause standing water around or under the appliance.
34. Do not operate this washing machine until you are sure that:
 - a. the washing machine has been installed according to the INSTALLATION INSTRUCTIONS.
 - b. all water, drain, power and grounding connections are in compliance with all local regulations and/or other applicable regulations and requirements.
35. Failure to install, maintain and/or operate the washing machine according to the manufacturer's instructions may result in injury and/or damage.
36. Removing any panel, including the round service panel in the front can expose sharp edges and points, electrical connections and hot surfaces.
37. To avoid damage to the door, do not push against the door when moving the unit. Precautions should be taken to avoid damage to the floor.
38. The water connections should be made and tested before electrical power is applied to the machine.

Notes:

- A. The IMPORTANT SAFE-GUARDS and WARNINGS indicated in this manual do not cover all possible conditions which may occur. Common sense, caution and care must be exercised when installing, maintaining or operating the washing machine.
- B. Always contact your dealer, distributor, service agent or the manufacturer about any problems or conditions that you do not understand.

GROUNDING INSTRUCTIONS

This appliance must be grounded. In the event of a malfunction or breakdown, grounding will reduce the risk of electric shock by providing a path of least resistance for the electric current. This appliance is equipped with a cord that has an equipment-grounding conductor and a grounding plug. The plug must be plugged into an appropriate outlet that is properly installed and grounded in accordance with all local codes and ordinances.



WARNING

Improper connection of the equipment grounding conductor can result in electric shock. Connect to an individual branch circuit. Check with a qualified electrician or serviceman if you are in doubt as to whether the washer is properly grounded. DO NOT modify the plug provided with the appliance – if it will not fit the outlet have a proper outlet installed by a qualified electrician.

KEEP THESE INSTRUCTIONS FOR FUTURE REFERENCE.

In case of change of ownership, manual should be conveyed with the washer.

SAVE THESE INSTRUCTIONS

INSTALLATION INSTRUCTION

Introduction

CAUTION

TO AVOID RISK OF INJURY
The washing machine is heavy. Lift with caution.

Be sure to observe all listed warnings and cautions.

NOTICE

Frozen hoses can tear/burst. Do not install the washing machine outdoors or in an area exposed to freezing conditions. If the washing machine is located in a room which will be exposed to temperatures below freezing, or if it is located in a cabin that is being shut down for the winter, any residual water in the pump or water inlet hose(s) **must** be drained.

These installation instructions are intended for use by qualified installers. In addition to these instructions, if installing the washing machine:

- In the United States comply with the National Electric Code, ANSI/NFPA70 – latest edition/State and municipal and/or local regulations.
- In Canada comply with the Canadian Electric Code C22.1 – latest edition/Provincial and Municipal and/or local regulations.

Take care not to damage the washing machine. Do not hold on to protruding parts (e.g. door) when lifting.

In addition to the safety information listed here, the local water and electricity supplier may have special requirements.

If in doubt, have the appliance connected by an authorized technician.

Information concerning waste disposal

Disposing of the packaging

The shipping package has protected your new appliance on its way to your home. All packaging materials are non-polluting and recyclable. Please contribute to a better environment by disposing of packaging materials in an environmentally friendly manner.

Please ask your dealer or local authority about the best means of disposal.

WARNING

Keep children away from shipping carton and packaging components to avoid risk of suffocation from plastic wrap and folding cartons.

Disposing of your old appliance

Old appliances are not worthless rubbish! Valuable raw materials can be reclaimed from environmentally friendly recycling.

WARNING

If appliance is no longer usable, pull out the main plug, cut off the power cord and discard.

Also remove the washer door to prevent children from locking themselves in the appliance

Intended Use

Your washing machine is intended:

- For domestic use only.
- For cleaning machine-washable fabrics in tap water.
- For operation using cold and hot (140 °F/60 °C) tap water and conventional additives that are suitable for use in residential washing machines.

Environmental Protection / Conservation Issues

Your washing machine uses water, energy and detergent efficiently, thereby protecting the environment and reducing your household costs.

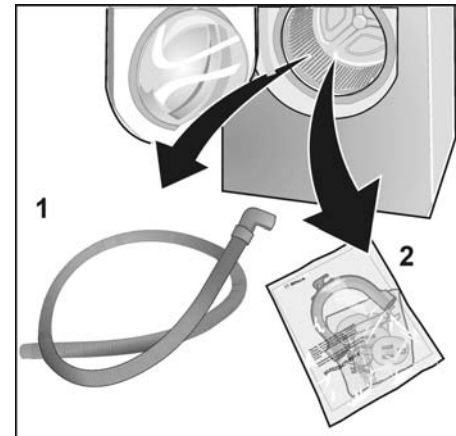
To use your washing machine in an efficient and non polluting manner:

- Avoid using too much detergent.
- Use detergent bearing HE symbol for high efficiency and front loading washers.
- Add detergent according to the degree of soiling, amount of laundry and water hardness, and follow the detergent manufacturer's instructions.

Factory-supplied Equipment

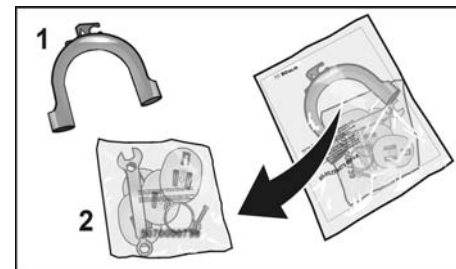
There is a packet of accessory parts supplied with your washer. Check that all the accessory parts supplied for your model are there. If any parts are missing contact your dealer immediately.

The drum contains:

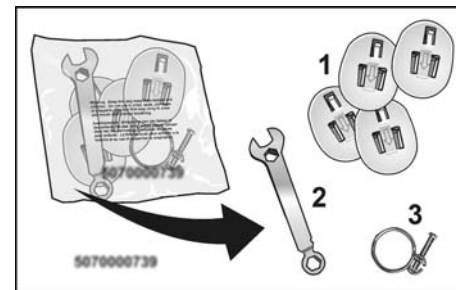


1. Water drain hose
2. User manual literature pack

The literature pack contents include:



1. Elbow
2. Accessory parts bag



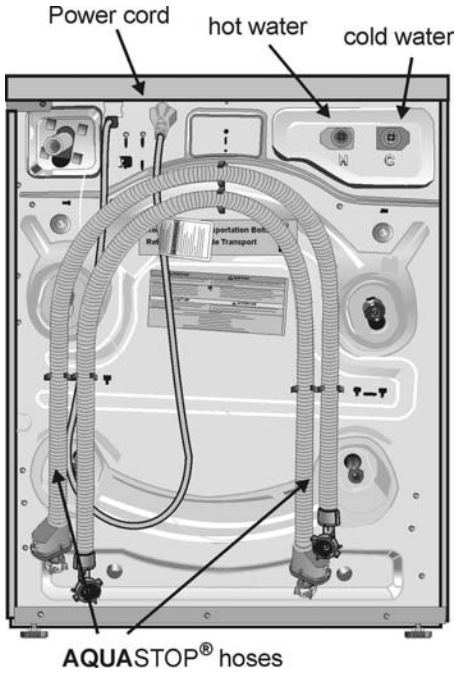
The accessory parts bag contains:

1. Covers to be placed over the holes for the transport bolts (after removing the transport bolts during washer installation).

2. Wrench for leveling.
3. Clamp for drain hose.

On the back of the washer:

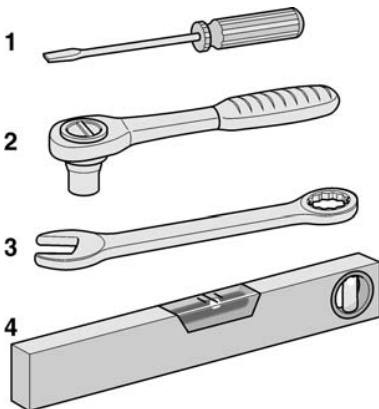
- hot and cold water connections
- power cord with label warning to remove transportation bolts
- two **AQUASTOP®** hoses (remove hoses from clips on back of washer for installation)



Useful tools

The following tools are helpful:

1. Flat head screwdriver.
2. Socket wrench (1/2" / 13 mm).
3. Closed wrench (1/2" / 13 mm).
4. Bubble Level.



Dimensions



a = 27.0 inches (686 mm)
 b = 30.7 inches (780 mm)
 c = 37.0 inches (940 mm)
 d = 16.0 inches (407 mm)
 Door opening angle 180°
 Approx. weight = 220 lbs (100 kg)

Installation area

⚠ WARNING

Never ground the washer to plastic plumbing lines, gas lines or hot water pipes.

This appliance must be installed on a solid floor and well leveled due to the higher spin speeds available. If installing the machine on a wood floor over a basement or on a second floor, the floor may need to be reinforced. Sound, vibration, and risk of "walking" will be affected depending on the structure and stability of the floor surface where it is installed.

If the washing machine is to be installed on a weak wood floor consider the following:

- Soft floor surfaces, such as carpets or surfaces with foam backing, are not suitable. If possible, place the washing machine in a corner of the room.
- Screw a water resistant wooden board (at least 3/4" thick) to the floor.
- Secure the feet of the washing machine with holding brackets. Order the holding brackets (set) from Bosch Customer Service (WMZ 2200).

- Units are not designed to be stacked.
- Units are not designed for under counter installation

Pedestal Mounting Kit

8 inch pedestal accessory number
WTZ 1295 for solid white color
WTZ 1295S for solid silver color
WTZ 1295P for duo tone silver/white

15 inch pedestal accessory number
WTZ 1500 for solid white color
WTZ 1500S for solid silver color
WTZ 1500C for duo tone champagne/white
WTZ 1500P for duo tone silver/white

If mounting the washer on the pedestal follow the instructions supplied with the pedestal.

i **Install pedestal prior to removing transport bolts.**

Closet

If installing the washer in a closet, observe the minimum distances according to the following table:

Minimum Installation Clearances	
Closet	
Sides	1/4" (6 mm)
Top	12" (305 mm)
Rear	2.5" (64 mm)
Front	1/4" (6 mm)

Ventilation:

Top: 48 sq. in (310 sq. cm),
 Bottom: 24 sq. in (155 sq. cm)

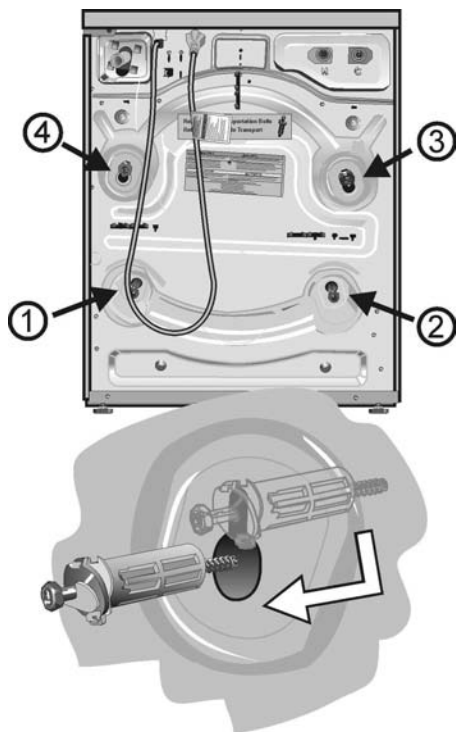
Checklist for Installation	Page
completely remove 4 shipping bolts and move the washer into place	8
connect the water supply lines and drain pipe	9
connect the electrical power	10
slide the washer into its final location	10
level the washer as low as possible	10
before first use, run a cleaning cycle	13

Removing the transport bolts

CAUTION

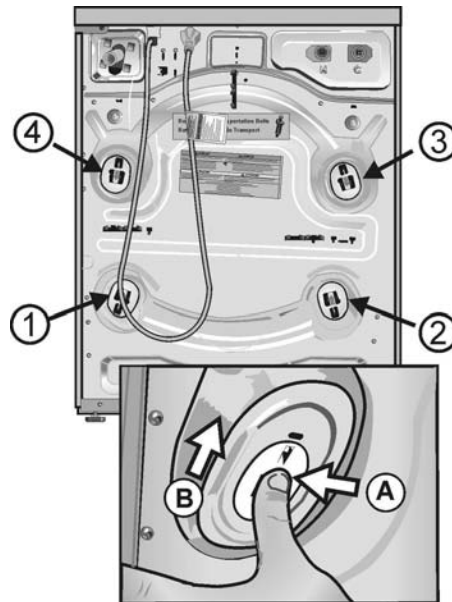
To avoid possible injury and damage to the appliance and adjacent surfaces, all four transport bolts must be removed before using the appliance. Retain the bolts for use in any future transport (e.g. when moving). If you have purchased a pedestal mounting kit, follow the installation instructions provided with it before removing the transport bolts.

- ❑ Loosen all four bolts before removing any of the bolts all the way from the unit.
- ❑ Remove the bottom two bolts prior to removing the top two bolts. Remove the bolts in the order shown in the diagram below.
- ❑ Loosen the bolts using the closed end of the 1/2" wrench provided. Loosen them until they can be removed freely.
- ❑ The recessed bottom bolts may be easier to remove using a 1/2" (13 mm) socket wrench.



assemblies. Slide each loosened transport bolt assembly out of its retaining slot, then pull it out through the round hole in the housing.

- ❑ If the bushings do not come out when removing the bolts, place the bolts back into the bushings and carefully try again. It is important to do this with the bolts, otherwise the bushings will not come out properly.
- ❑ To store the bolts for future use, do not remove the bolts from the plastic bushings.

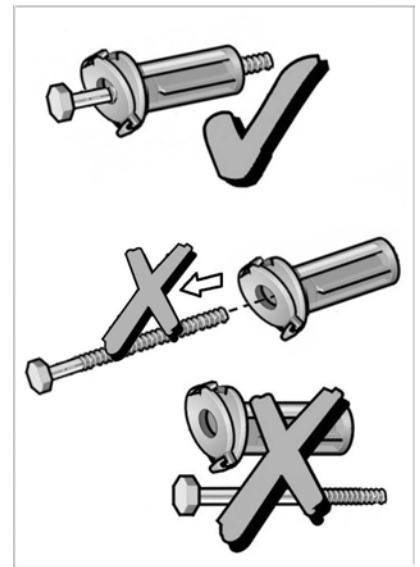


- ❑ Position the plastic cover over the hole the transportation bolts occupied. Push the tab in (A) and slide the cover towards the small slot (B).

Storing the transport bolts

Always keep the transport bolts for future transportation of the appliance (such as when moving out).

- ❑ Store the transport bolts with the washer and bushing attached.



- ❑ Completely remove all 4 transport bolt assemblies (bolt, spring, washer and bushings). Pull the washer drum slightly forward towards the open washer door to reduce pressure on the transport bolt

Water connection

Water supply

NOTICE

The washing machine must only be operated with hot (max. 140 °F / 60 °C) and cold tap water. Do not connect the appliance to the mixer tap of an unpressurized hot-water boiler.

If in doubt, have the water connection installed by an authorized technician. The water supply hoses must not be:

- Bent or flattened.
- Modified or cut (integrity can no longer be guaranteed).

NOTICE

Properly secured EXTERNAL hose connections are the sole responsibility of the customer. The manufacturer assumes no responsibility or liability for improperly installed EXTERNAL hose or other connections.

Observe the water pressure in the supply network:

- The water pressure should be between 20 and 120 p.s.i. (1.37 and 8.3 bars) when the tap is turned on and at least 2.2 U. S. gallons (8 liters) of water should be discharged per minute.
- A pressure regulator valve must be installed if the maximum water pressure is exceeded.

NOTICE

To prevent water damage, the hot and cold water valves should be accessible when the washing machine is in place and should always be turned off when the washing machine is not in use.

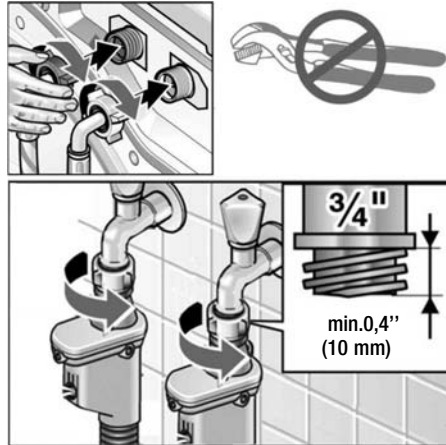
NOTICE

If installing the washing machine in a new building or a building in which the plumbing system was recently installed or upgraded, flush the lines before installing the washing machine to remove any sand, dirt or residue.

Supply Line Connection

C Cold water connection and
H Hot water connection
(max. 140 °F / 60 °C)

- ❑ Plastic threads must only be tightened **by hand** when connecting the water supply hoses to the back of the unit. Do not remove the strainers from the water supply hoses.



- ❑ After connecting, turn on the water completely, and check that connection points are watertight.

Hose Extension

The **AQUASTOP®** hose may not fit in the space available at the wall faucet. A short extension hose (part no. 645787) is available through customer service (see page 27).

Other hoses

Available from appliance dealers:

- Extended supply hose (approx. 96.1 in. / 2.44 m).



CAUTION

The connection points are under full water pressure. Check seal with tap fully open.

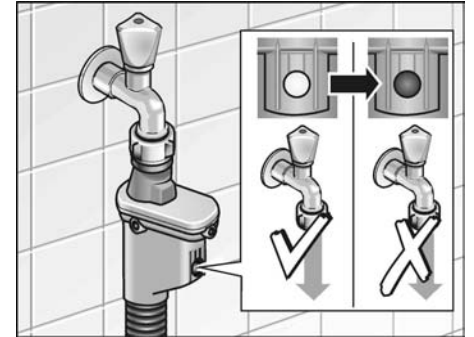
AQUASTOP®

Upon leak or flood detection, a stop-valve system in the hose, and/or a floating switch in the base, trigger machine cessation for virtual containment (worst case scenario with normal machine operation, 4 liters of water may escape).

AQUASTOP® is an internal containment technology, and does not protect against outside forces, such as

home plumbing problems, or damage caused to the machine's hose (such as installation damage). Machine must be level and turned "on" for proper functionality.

- ❑ The **AQUASTOP®** feature is not active and will not operate if the program selector is in the "Off" position.
- ❑ The washer must be level for correct **AQUASTOP®** operation.



AQUASTOP® Hose

The **AQUASTOP®** hose is an external containment technology that prevents potential flooding if the hose leaks.

If the hose leaks, a red mark is displayed and the water inlet is blocked.

- ❑ An **AQUASTOP®** hose that has activated cannot be reset. Contact Customer Service for a replacement hose (see page 27).

Water drainage

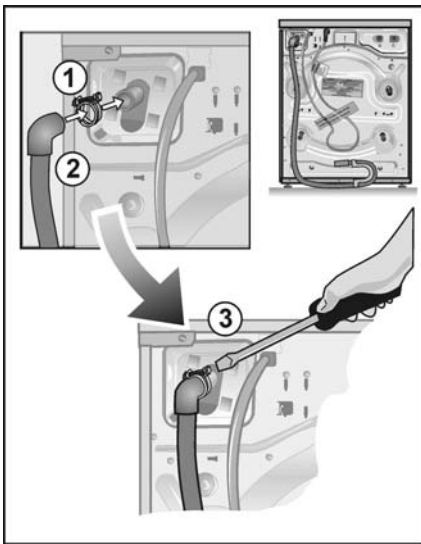
NOTICE

Do not bend or pull the water drainage hose.

Height difference between the installation location of the washing machine and the drainage point: Maximum 8 feet / 244 cm, minimum 2 feet / 60 cm (plus the height of the pedestal, if the washer is installed on a pedestal).

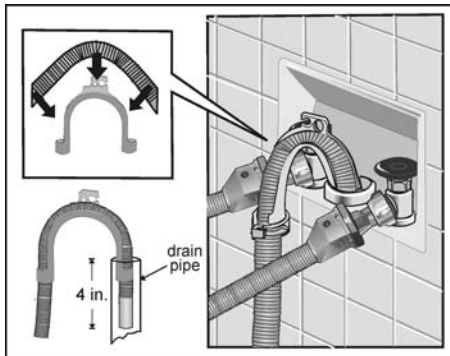
Connecting the water drainage hose

- ❑ **Do not remove the screw from the clamp assembly.** Loosen the screw only enough so that the clamp will slide freely onto the water drain hose.
1. Place the hose clamp over the end of the drain hose before attaching the drain hose to the appliance.



2. Attach the drain hose to the drain hose connection on the back of the appliance; position the hose clamp approximately 3/8 inch (9 mm) from the end of the hose.
3. Tighten the clamp with a screwdriver.

In-Wall Installation



- ❑ Use the elbow. Attach the elbow to the end of the hose and insert the end of the hose into the wall drain approximately four inches.
- ❑ The hose and elbow should extend into the open drain pipe as far as the elbow allows when seated as shown in the above picture.
- ❑ Use a strap or cable tie to hold hose in place.

Electrical connection

GROUNDING INSTRUCTIONS

This appliance must be grounded. In the event of a malfunction or breakdown, grounding will reduce the risk of electrical shock by providing a path of least resistance for the electric current. This appliance features a cord with an equipment-grounding conductor and a grounding plug. The plug must be plugged into an appropriate outlet which has been properly installed and grounded in accordance with all local regulations and ordinances.

WARNING

Improper connection of the equipment grounding conductor may result in electric shock. Have the appliance checked by a qualified electrician or service technician if you are in doubt as to whether the washer has been properly grounded.

Do not modify the plug provided with the appliance – if it will not fit in the outlet, have a proper outlet installed by a qualified electrician.

WARNING

The washing machine must only be connected to an individual branch circuit via a socket which has been properly installed and grounded.

The household electrical voltage must correspond to the voltage specification on the washing machine (rating plate, see page 27).

Connection specifications as well as the required fuses are stipulated on the appliance rating plate.

Volts	Hertz	Amperes	Watts
110–120	60	15	1350 (max.)

Make sure that:

- the power plug fits into the socket.
- the wire size is sufficient.
- the grounding system is properly installed.

The power cord may be replaced by an electrician only. Replacement power cords are available from Customer Service.

WARNING

To reduce the risk of fire or electrical shock, DO NOT use an extension cord or an adapter to connect the washing machine to the power supply.

Use of a Ground Fault Circuit Interrupter (GFCI) is recommended. Do not insert/remove the power plug with wet or damp hands. Touch the plug only when removing the plug from the socket.

CAUTION

TO AVOID RISK OF INJURIES—Take care when using the wrench.

Leveling Procedure

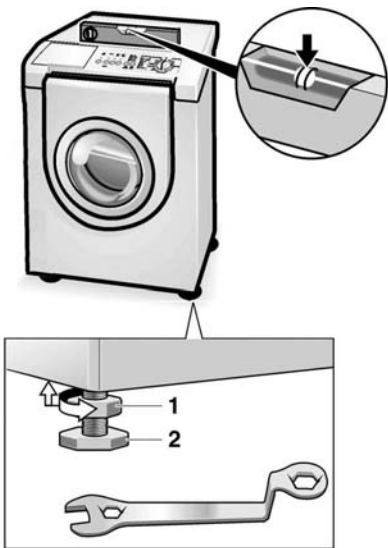
1. The appliance should now be in its final position, ready for leveling (moving the appliance after leveling can make it unlevel again.)

Each foot of the appliance or pedestal must be placed firmly on the floor to prevent the washing machine from wobbling.

Start with all four feet screwed in as far as possible, then back individual feet out as necessary to level the washer.

2. Use a bubble level (24" or less in length) to level the washer front to back and side to side (be sure the level fits between the edges of the washer, and is not elevated at one end on a ridge on the surface of the washer.)
3. Adjust the leveling of the washer with the four height-adjustable feet. Level the washer as low as possible to help reduce vibration.

- ❑ Loosen the lock nut (1 on the illustration) by turning it clockwise. Use the wrench provided (or a 5/8" – 16mm open end wrench). When you turn the lock nut, the foot (2 on the illustration) it is locked against will turn with it. This will extend the height of the foot.



- ❑ Turning the foot out (clockwise) will raise the corner of the washer, turning the foot in (counter-clockwise) will lower the corner of the washer. When the corner of the washer is satisfactorily raised or lowered, lock the height-adjustable feet in place by turning the lock nut counter-clockwise until it locks tightly against the washer housing.

i It may be necessary to hold the washer foot with a pair of pliers to keep it from turning while tightening the lock nut. If the foot does turn, it will change the height of the corner.

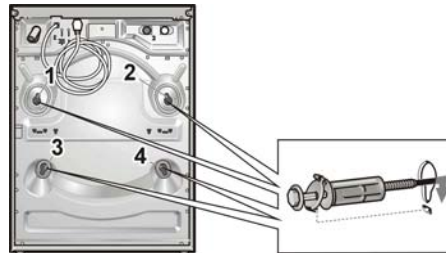
- ❑ After making preliminary adjustments, press down on each corner of the washer to make sure the unit does not wobble. If it does wobble, lower the foot on that corner until the foot touches the floor firmly.
4. Re-check the leveling status of the appliance.
 5. Fine tune the leveling of your washer by checking with a bubble level after running your first load of laundry. This is a very important step.

Transport, such as when moving out

Before transporting the washing machine:

- Turn off the water.
- Disconnect the washing machine from the power outlet.
- Dismantle the supply and drainage hoses.
- Install the transport bolts.

Preparing and inserting the transport bolts



- ❑ Remove the covers.
- ❑ Prepare the transport bolts: Loosen the screw in the sleeve until the end of the screw is level with the end of the sleeve.
- ❑ Insert and tighten all transport bolts. Make sure that the tab on the transportation bolt is inserted in the slot on the washing machine back panel.

OPERATING INSTRUCTION

WARNING

Before using your washing machine, read and follow all installation and operating instructions.

Panel

Buttons for additional options

(in addition to the program if required)

ECO e: This option reduces the amount of energy used for the washing program.

Rinse plus: Additional rinsing cycle.

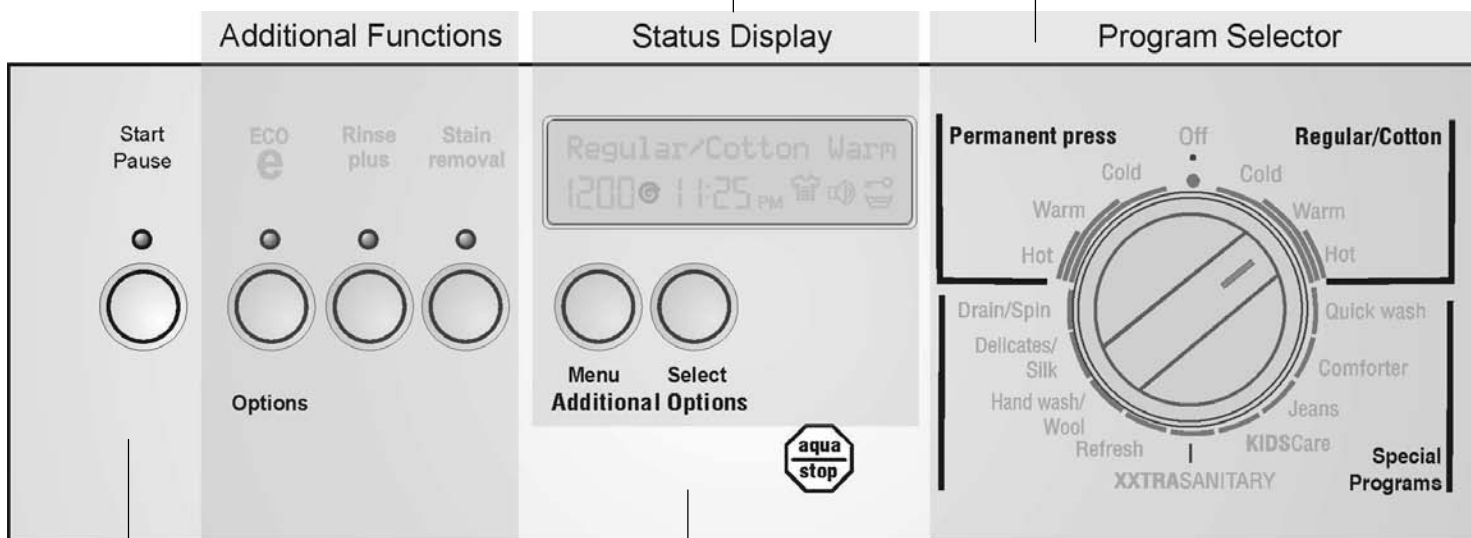
Stain removal: Additional washing time with additional temperature controls to better remove stains.

Display field

Indicates the settings which have been selected or which are to be changed (e.g. spin speed, finished at, pre-soak, time and child lock) as well as the program progress.

Program selector

Switches the machine on and off and selects the program. Can be turned in both directions.



Start/Pause button

Starts or interrupts the washing cycle (program must be selected before pressing Start/Pause).

Start/Pause Indicator light

flashes red: Settings can be changed, the wash cycle can be started, the door is locked for reasons of safety, child lock is active or program is in "Pause" mode.

lit red: Program is running. "Pause" can be activated.

off: Program is finished or no program has been selected or the door is open.

Menu

Selects the settings which are to be changed.

Select

Changes the setting currently shown in the display (i.e. spin speed).

Before Using For the First Time

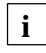
The washing machine must be installed and connected properly (refer to Page 6).

WARNING

Before using your washing machine, read and follow all installation and operating instructions.

Using For the First Time

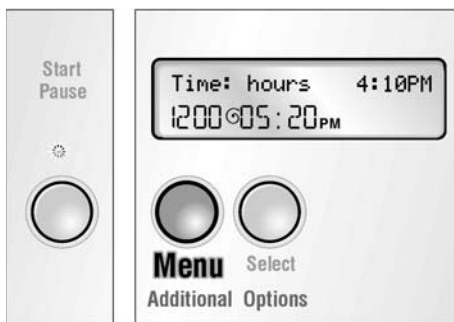
Setting the time

 To define the individual settings (especially “Program finished at”), it is necessary to set the time first.


You can set the current time. The settings are retained even if your washing machine is not used for up to 6 weeks.

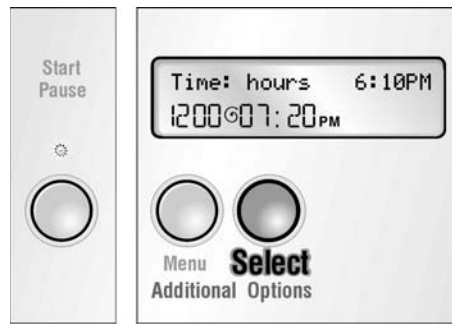
- Turn the program selector to any program.

Example:

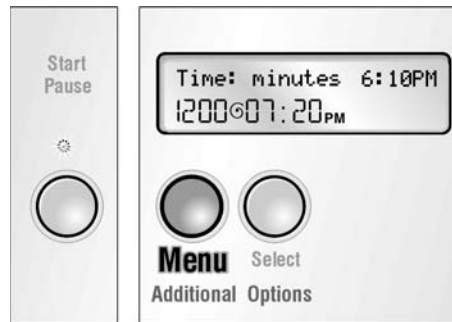


- Press the **Menu** button until “Time:” is displayed. The hours display flashes.

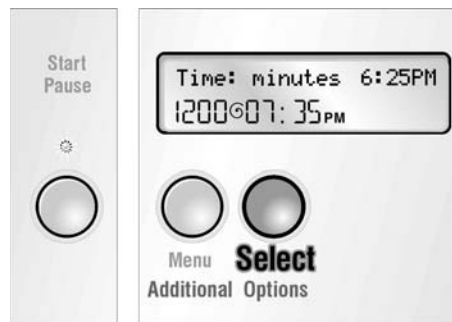
 If no buttons are pushed within 10 seconds the display will revert back to normal “Ready”. Changed settings will be retained.



- Press the **Select** button until the hour display is correct.



- Press the **Menu** button until the minutes display flashes.




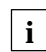
- Press the **Select** button until the minute display is correct. The time is now set.

 Press the **Menu** button, the menu function ends.

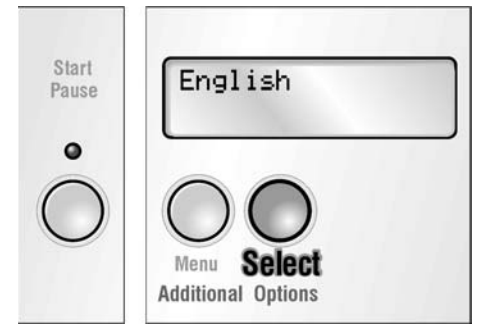
You can select other settings by pressing the **Menu** button and change them by pressing the **Select** button.

Selecting the language


 The time must be set before the language can be changed

 The program selector must not be set to **Off**.

- Simultaneously press the **Menu** and **Select** buttons and hold down (5 seconds) until the current setting is displayed.



- Press the **Select** button until the desired language is displayed.
- Confirm the language selection by pressing the **Menu** button.

 The language selection can be confirmed either by pressing the **Menu** button or by leaving the selected language for five seconds.

Display field


In the first line, the operating and program progress text is displayed at the left. The current time is displayed on the right whenever “Ready” is displayed on the left.

In the second line, the display indicates the spin speed and the time at which the program is expected to be finished, as well as symbols for Spin speed, Washing mode, Pre-Soak, Signal and Child lock.

First washing cycle (without laundry)

Your appliance was tested before leaving the factory. To ensure a fresh wash with your initial load of clothes, run the washer a complete cycle, without clothes, in advance.

- Do not load any laundry.
- Turn on the water tap.
- Open the flap of the detergent dispenser.
- Pour 1–2 Tbsp. detergent into detergent chamber I.

 Do not use special detergents for delicates or wool (this will cause excessive sudsing).

- Close the flap of the detergent dispenser.
- Close the door.
- Set the program selector to **Regular/Cotton hot**

The **Start/Pause** indicator light flashes (red).

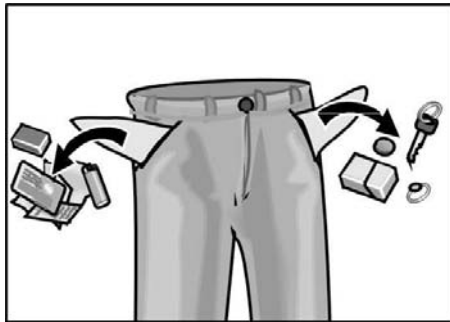
- ❑ Press the **Start/Pause** button. The program starts. The indicator light is on (red).

- i** The individual program steps are indicated in the display field. When "Remove laundry" is displayed:
 - ❑ Open the door.
 - ❑ Turn the program selector to **Off**.

Preparing the laundry

NOTICE

Loose debris (coins, paper clips, nails and other hard objects) can damage items of clothing as well as parts of the washing machine (e.g. drum).



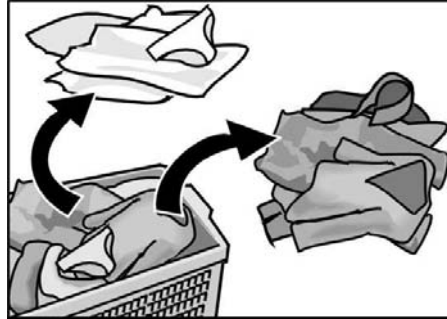
- ❑ Empty all pockets.
- ❑ Brush off lint and dirt.
- ❑ Close zippers, button up duvets and hooks.
- ❑ Remove curtain rings or tie them up in a net bag.
- ❑ Remove pins, buttons, buckles and other hard objects to avoid scratching the washer interior.
- ❑ Remove non-washable trim and ornaments.
- ❑ Turn synthetic knitwear inside-out to avoid pilling.
- ❑ Treat spots and stains.

To prevent loss or damage to laundry and the machine, the following items should be washed in a mesh laundry bag:

- ❑ Baby socks (small items)
- ❑ Hosiery
- ❑ Belts
- ❑ Underwired bras (directly washed in the washer, the wire may come loose during washing and cause damage)

Sorting the laundry

According to color and degree of soiling



NOTICE

Items of clothing may become discolored. Never wash new multi-colored items together with other items.

White items may become gray. Always wash white and colored items separately.

Degrees of soiling

Slight dirt

No recognizable dirt or staining. Laundry may have some body odor.

- Light summer clothing.
- T-shirts, shirts and blouses that have been worn for up to one day.
- Bed linen and guest towels that have been used for one day.

Normal dirt

Visible dirt and/or some light recognizable staining.

- T-shirts, shirts and blouses that are very sweaty or have been worn several times.
- Dish towels, hand towels and bed linen that have been used for up to one week.
- Sheer curtains (without smoke staining) that have not been washed for up to 6 months.

Intensive dirt

Dirt and/or staining recognizable.

- Kitchen hand towels that have been used for up to one week.
- Cloth napkins.
- Bibs.
- Children's outer clothing or sportswear with grass and soil stains.
- Working clothes such as overalls or baker's and butcher's coats.

Typical stains

- Body oils, cooking oils/grease, sauces, mineral oil, wax (containing fat/oil).
- Tea, coffee, red wine, fruit, vegetables.
- Blood, egg, milk, starch (containing protein/ carbohydrate).
- Soot, soil, sand (pigments), red clay.

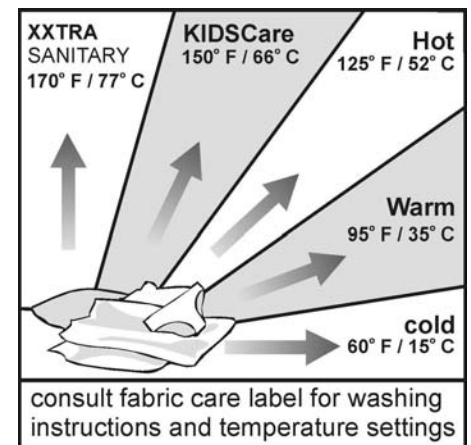
Removing stains

If possible, pretreat stains while they are still fresh.

First, dab soapy water onto the stain. Do not rub.

Subsequently, wash the items of clothing using the appropriate program. Occasionally, several wash cycles may be required in order to remove persistent, dried on stains.

Sorting laundry according to care label specifications



Fabric Types

Machine Wash, Cottons 

Machine Wash,
Permanent Press 

Machine Wash, Delicates 


Hand Wash 

Temperatures

Cold 

Warm 

Hot 

Do not wash clothes in washing machine if the care label says "Do Not Wash" or the DO NOT WASH symbol  is on the care label.

Loading the laundry



WARNING

TO AVOID EXPLOSION HAZARD! Items of clothing that have been pretreated with solvent-based cleaning agents, e.g. stain remover and dry cleaning solvents, represent an explosion hazard once loaded into the washing machine. Therefore, these items must first be rinsed thoroughly by hand.

NOTICE

Loose debris in the washing machine drum can damage the laundry. Before loading the laundry, check that there is no debris in the drum.



- ❑ Open the door.



- ❑ Unfold the sorted items of clothing and place them loosely into the drum. Mix up large and small items. Items of varying size will distribute better during the spin cycle.

- i** Do not exceed the maximum load. Overloading will cause poor wash results and will increase wrinkling.

For best results it is recommended to load the drum depending on the fabric type.

Full Load
Cotton and Linens

1/2 Load
Permanent Press, Synthetic Blends
and Knitwear

1/3 Load
Wool, Delicates, Silk



- i** Close the door.
Do not trap any items of clothing between the door and rubber seal.
Door should be able to close easily, not by force.

Laundry Detergents and Additives

Dispensing the correct amount of detergent

⚠ WARNING

TO AVOID RISK OF POISONING!
Keep detergents and additives out of the reach of children.

Measure out the detergent (powder or liquid) according to:

- The water hardness. This information can be obtained from your local water authority. Soft water requires less detergent.
- The amount of laundry.
- The degree of soiling. Information on soiling can be found on Page 14.
- The specifications of the detergent manufacturer. Measuring the correct amount of detergent reduces the strain on the environment and ensures optimum washing results.

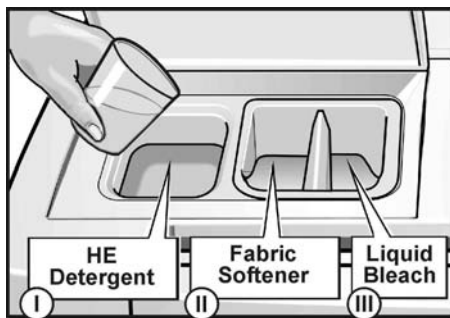
Too little detergent:

The laundry is not cleaned properly and will eventually become gray and stiff. Grayish brown spots (fat globules) may appear on the laundry. The heater may calcify.

Too much detergent:

Not environmentally friendly, excessive suds reduce wash agitation producing poor washing and rinsing results or may prevent proper spinning.

Filling laundry detergent and/or additives



- Open the flap of the detergent dispenser.
- Add the detergent and/or additive.

Dispenser I:
Dispenser for detergent, stain remover.

- i** We recommend HE detergents because they are particularly designed to deliver optimum performance from your front-loading washer. Not using HE detergent could cause problems such as oversudsing, extended cycle periods, or a decrease in wash performance.

Dispenser II:
Cleaning additives, e.g. fabric softener, fabric conditioner. Do not fill over edge of max line!

- i** Do not use fabric softener with outdoor fabrics (ie: rubberized or waterproof materials).

Dispenser III:
Dispenser for liquid bleach (chlorine bleach, color safe bleach).
Do not overfill!

- i** Concentrated or thick fabric softener, conditioner and powder-bleach must be diluted with a little water before being poured into the dispenser (prevents overflow due to obstruction).
- i** Bleach may cause discoloration of the washer's colored surface. Therefore, it is important to keep the bleach away from the colored surface of your washer. If any bleach spills on the surface, use a moist paper towel to thoroughly clean it immediately.
- i** Close the flap of the detergent dispenser. Please ensure the lid is entirely closed.

Decolorizing

NOTICE

Dyes may contain sulphur or chlorine. These substances may cause parts of the washing machine to corrode. Do not dye items of laundry in the washing machine.

Programs and Functions

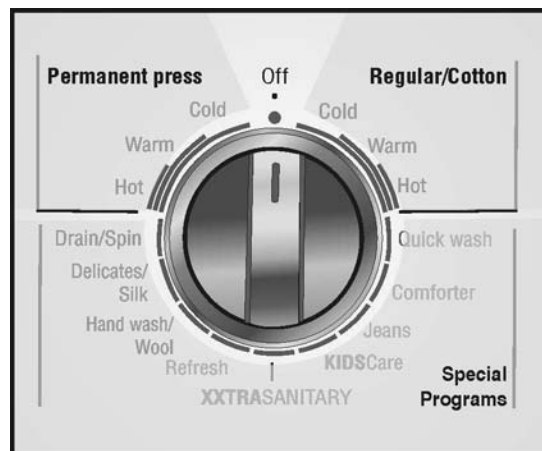
For optimum washing results your washer offers several program groups and additional options.

Basic programs include Regular/Cotton and Permanent press. Program selection is based in part on the laundry fabric type.

Cycle times will vary depending on cycle selected, temperature and pressure of incoming water, water hardness, size of load and type of fabrics.

Special programs are custom designed for special wash needs or specific types of fabric.

Additional options may be selected by pressing one of the panel option buttons.



Maximum spin speeds of the programs

Revolutions per minute	Type of laundry/Extra cycle
1200	Regular/Cotton
800	Permanent Press
600	Delicates/silk
400	Hand wash / Wool
600	Comforter
800	Jeans
900	Quick wash
1200	XXTRASANITARY
1200	KIDSCARE
1200	Refresh
1200	Drain/Spin

In the **Regular/Cotton**, **XXTRASANITARY**, **KIDSCARE**, and **Refresh** programs the fabrics will be spun at the maximum possible spin speed.

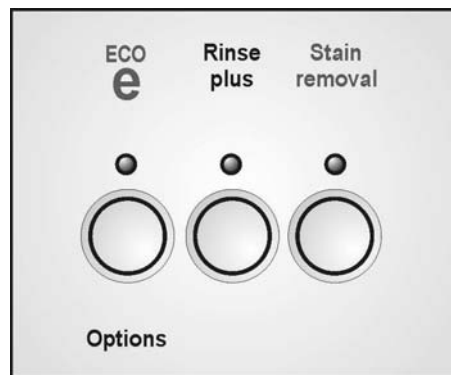
In the **Permanent press**, **Delicates/Silk**, **Hand wash/Wool**, **Comforter** and **Jeans** programs, the washing machine spins at a lower spin speed for gentle treatment. If required you can reduce the spin speed of laundry, minimum is 400 revolutions per minute.

No final spin ("—")

The water is drained from the machine after the final rinse. Recommended for delicate laundry.

Use this setting to avoid creasing if the clothing cannot be taken out of the washing machine immediately upon completion of the cycle.

Option Buttons



ECO e

This option reduces the amount of energy consumed by up to 20%. This option is not available for cold programs.

Rinse Plus

When this button is pressed, an additional rinsing cycle will be added to the selected cycle. Washing cycle time is extended accordingly.

Stain Removal

The Stain Removal option is recommended for use **ONLY for heavily soiled clothes that require the removal of tough, ground-in protein-based stains**. It is **NOT** recommended to use the Stain Removal option with other cycles when laundering normal or lightly soiled clothes.

Washing time is extended.

Only cold water is introduced to the drum. The washing machine then heats the water to the selected wash temperature. By raising the temperature from cold up to the set temperature all components of the detergent are activated in stages for best stain removal and cleaning results.

Basic Programs

Regular/Cotton

For Cottons and coloreds made of cotton or linen.


Hot	sturdy, hard wearing items made of cotton or linen such as work clothes and underwear	normally and/or heavily soiled colorfast fabrics
Warm	sturdy, hard wearing items made of cotton or linen such as jeans, T-shirts and sweatshirts	lightly and/or normally soiled non-colorfast fabric
Cold	sturdy, hard wearing items made of cotton or linen (colors that may bleed or fade)	lightly soiled non-colorfast fabric

Permanent press

Easy-care (drip-dry) laundry made of synthetic and blended fabric (e.g. , cotton/polyester).

Hot	cotton, permanent press, linen, synthetic or blended fabrics and outer garments	normally soiled colorfast items
Warm	non-colorfast cotton, permanent press, linen, synthetic or blended fabrics and outer garments. Clothes such as blouses, shirts, overalls	lightly and/or normally soiled
Cold	non-colorfast cotton, permanent press, linen, synthetic or blended fabrics and outer garments. Clothes such as blouses, shirts, overalls	lightly and/or normally soiled

Special Programs

Drain/Spin	Water is drained followed by a high speed spin	
Delicates/Silk	Delicates/Silk settings are intended for use with delicate easy care items made of cotton, satin, synthetic or blended fabrics and curtains, dresses, skirts and blouses.	
Hand wash / Wool	Hand Wash settings are intended for very delicate easy care items that usually require hand washing. These cycles have been specifically designed to provide extremely gentle treatment of fabrics. Silk or other items marked with the "Hand Wash" symbol  on the care label can be safely washed with this cycle.	
Refresh	Program for rinsing unsoiled textiles, e.g. swimwear, and for removing detergent residue from textiles. Ends with a spin cycle.	
XXTRASANITARY™	This program was specifically designed to eliminate most common household bacterium. Used for heavily soiled and/or stained colorfast fabrics that need to be sanitized, such as, towels, underwear, socks, bed sheets, table clothes, etc.	
KIDSCARE™	Regular/Cotton settings are intended to be used for heavily soiled and/or stained colorfast fabrics. Sturdy, hard-wearing items made of cotton or linen such as towels, sheets or white sports socks. Do not wash new multicolored laundry together with other laundry.	
Jeans	Specially designed for jeans and heavy denims, this program reduces fading and wrinkling.	
Comforter	Specially designed program for large/bulky items. Extra water is used to ensure complete wetting and gentler spins to reduce stretching.	
Quick wash	This program is intended for all load sizes but is tuned especially for medium to large loads with very light soiling. Useful for most fabric types except delicates or lighter.	

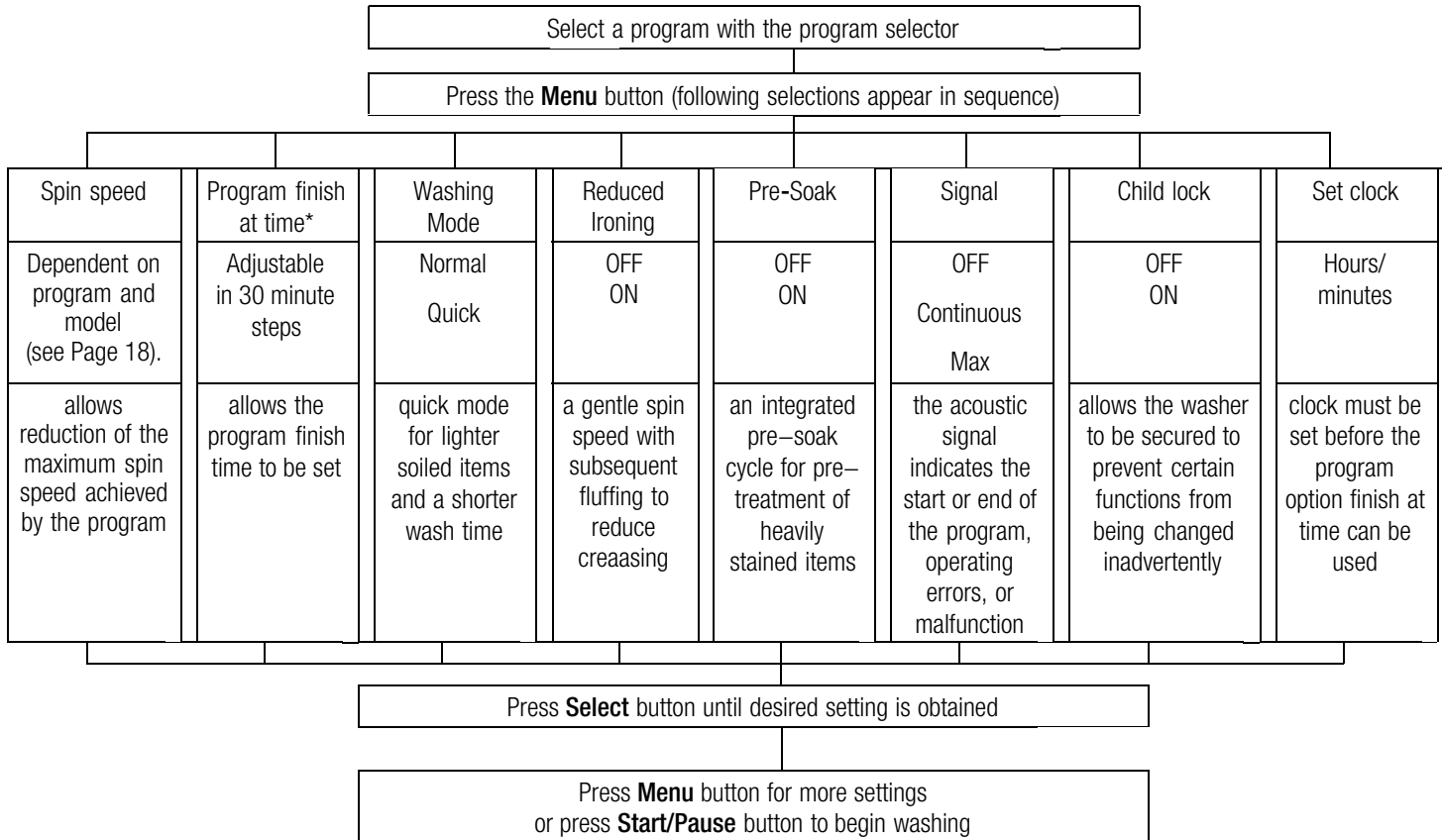
Washing with Individual Settings

The individual settings may be adjusted to your requirements.

Below is a quick overview of the adjustable settings.

The steps for changing the settings are described in detail below.

Quick overview

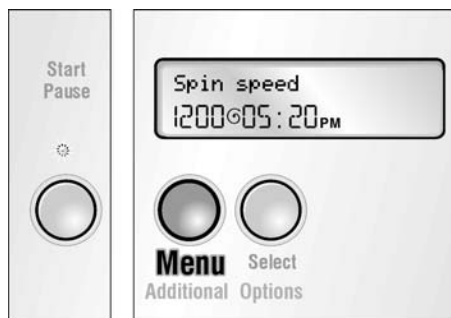


* Available only if clock is set (see page 13)

Changing Displayed Settings

i Before setting additional options, choose a program with the program selector!

Select the option to be changed with the “Menu” button. Press the button to move to the next option on the display. The active symbol starts flashing.









Select settings by pressing the **Menu** button and change them by pressing the **Select** button.

The current active option setting is displayed on the right.

These settings can now be changed with the “Select” button. Press the button to jump to the next possible setting.

i Pressing the “Menu” button again, saves the previous settings. If you don’t press any button for 10 seconds the settings are saved automatically.

Display Symbols

Symbol	Function	Settings
	Washing Mode	Normal Wash
		Quick Wash
	Stain Removal	On/Off
	Pre-Soak	On/Off
	Signal	Off, Continuous, Max
	Child lock	On/Off

Special features

Auto Load adjust

“Auto Load adjust” adjusts the water and energy consumption for each program and determines the amount of laundry.

This process is built into your machine and occurs automatically.

This control reduces water and energy consumption when washing small loads.

Unbalanced load detection system

The automatic unbalanced load detection system spins the laundry several times to ensure even distribution.

If the wash load is unevenly distributed, it will not spin (for safety reasons) or the final spin speed is reduced.

In the Hand wash/wool program the appliance will attempt to start the spin cycle only twice in order to prevent shrinking.

Displayed Time

Due to these and other characteristics of the controls the actual cycle time will vary.

When a program has been selected, the expected cycle time is displayed.

The following will affect the displayed time:

- Load size
- Repeated spin attempts to evenly distribute load

- Additional rinse cycles if excessive foam occurs
- Low water pressure
- Selection of additional options, e.g. “Rinse plus”

i You may notice that these effects (more or less time) change the displayed time when they occur in the cycle. If no options are selected and these effects do not occur, the time indicated will be the time that the cycle will finish.

Child lock

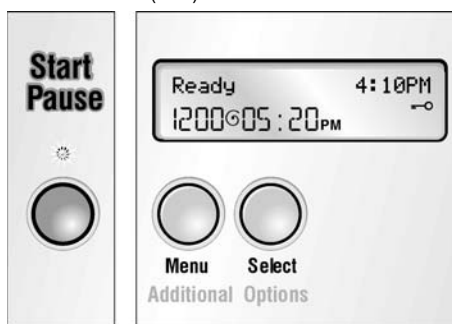
You can secure your washing machine to prevent selected functions from being changed inadvertently (see quick overview of individual settings, page 19).

If the child lock has been selected:

- No changes can be made while the program is running.
- The door remains locked at the end of the program.

Starting a program with “child lock: on”

- Turn the program selector to the desired program.
- Load the laundry and close the door.
The **Start/Pause** indicator light flashes (red).



- Press the **Start/Pause** button and hold down (5 seconds). The program starts. The indicator light is lit (red). The child lock is activated.

i To deactivate the child lock temporarily press the Start/Pause button again (for 5 seconds) until the Start/Pause indicator light flashes. Now you can change programs or options. Press the Start/Pause button to reactivate the child lock.

i You can stop a running program with activated child lock by turning the program selector to “off”! The interrupted program will continue when the machine is turned on again.

Pausing the Program to Add/Remove Laundry

- Press the **Start/Pause** button and hold down (5 seconds), child lock is deactivated and program will be interrupted.

i You can stop a running program with activated child lock by turning the program selector to “off”! When you switch it on again the interrupted program will continue.

Unloading laundry at the end of a cycle with “child lock: on”

- Press the **Start/Pause** button and hold down (5 seconds). You can open the door and remove laundry. The child lock setting remains activated even if you switch off the appliance.

i Next time you switch on the appliance child lock is activated. The door is locked and no changes can be selected. Press the Start/Pause button (for 5 seconds) to open the door.

Deactivating the child lock

- Turn the program selector to the desired program to switch on the appliance.
- Press the **Menu** button until “Child lock: on” is displayed. The “—o” symbol flashes.
- Press the **Select** button until “Child lock: off” is displayed.

i You can set child lock on/off before starting a program or in “Pause” mode only.

During Washing

- i** Due to the highly engineered suspension of this appliance, it may experience a shudder or shake when progressing from lower to higher spin speeds. This behavior is normal due to shifting of the drum system and should not cause concern.

Re-selecting a program

- ❑ If the child lock is active, temporarily deactivate it (see page 20).
- ❑ Turn the program selector to **Off**.
- ❑ Turn the program selector to a newly selected program. The **Start/Pause** indicator light flashes.
- ❑ If the child lock is active, deactivate again temporarily.
- ❑ If required, change the settings. (see Page 20).
- ❑ Press the **Start/Pause** button. The program starts.

Add a garment / Interrupting the program

You can put laundry in the drum after washing begins, take laundry out of the drum early or interrupt the program at any time.

- i** It is not recommended to add laundry after the washing phase is complete.

Without child lock

- i** You can add or reduce laundry as long as the **Start/Pause** indicator light flashes (red).
- ❑ Press the **Start/Pause** button. The following displays are indicated in succession: "Pause", "Door can be opened".
- ❑ Open the door.
- ❑ Add/remove the laundry.
- ❑ Close the door.
- ❑ Press the **Start/Pause** button. The program continues. The indicator light is lit (red).

- i** When the **Start/Pause** indicator light is lit (red), the program can be interrupted, however the door cannot be opened for safety reasons (water level, temperature or drum speed too high).

- i** If the speed is too high, the **Start/Pause** indicator light is lit (red). Laundry can be added in "Pause" mode when the drum is at a standstill.

Child lock activated

- i** Refer to the Child Lock section, (see page 20).

Canceling the active program

If you would like to terminate a program and remove the laundry:

- ❑ Press the **Start/Pause** button
- ❑ If Child Lock is active, it is necessary to press and hold down the Start/Pause button for five seconds
- ❑ If the load is too wet, turn the program selector to **Drain/Spin**.

- i** If a program is interrupted at a high temperature, the door may remain locked until the appliance has cooled down.

- i** If the program is terminated by switching off the appliance, the door may remain locked.

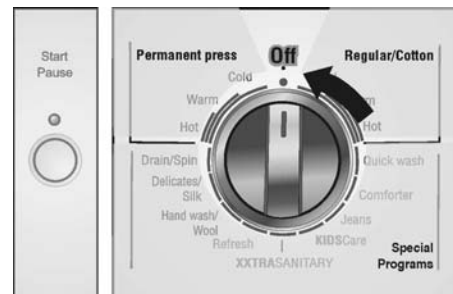
After Washing

The **Start/Pause** indicator light goes out.

Display field: "Remove laundry".



- ❑ Open the door.



- ❑ Turn the program selector to **Off**.



- ❑ Close the taps.



- ❑ Remove the laundry.

NOTICE

Occasionally check for any foreign objects (e.g. coins, paper clips) between the drum and rubber seal – **To avoid risk of rust!**

- i** After washing, leave the loading door ajar to allow the inside of the washing machine to dry.

User Maintenance Instructions

CAUTION

The access panel located on the bottom right of the washer is for Service Access and is to be opened only by an Authorized or Qualified Service Technician. (Panel may be hidden from view by door extension).



Cleaning and Care

WARNING

TO AVOID RISK OF ELECTRIC SHOCK!
Always disconnect the appliance from the power outlet before cleaning.
Never clean the washing machine with a pressure washer.

WARNING

TO AVOID RISK OF EXPLOSION!
Never use flammable solvents to clean the appliance.

Cleaning the appliance housing and control panel

As required:

- Use hot soapy water or a mild, non-abrasive cleaning agent.
- Rub dry with a soft towel.

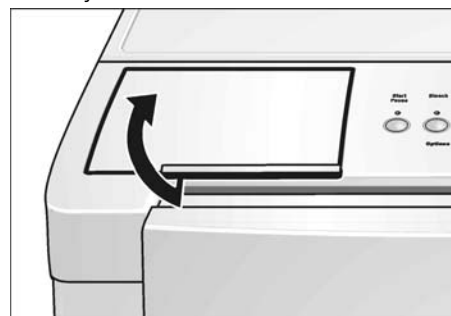
Cleaning the drum

If rust spots have formed due to left-over debris (e.g. coins, paper clips, nails):

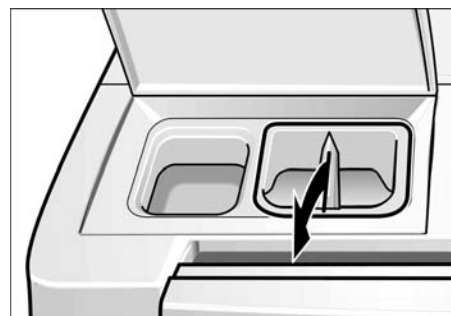
- Use a chlorine-free cleaning agent. Follow the manufacturer's instructions. Never use steel wool.

Cleaning the detergent dispenser

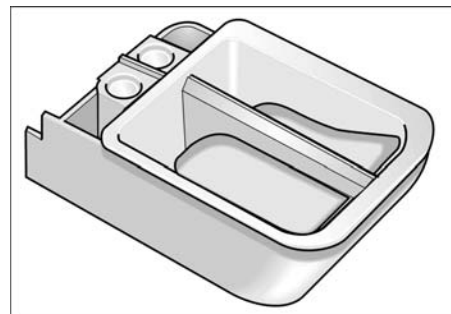
If residual detergents or additives have accumulated or if softener/bleach are not fully rinsed out:



- Open the flap of the detergent dispenser.



- Pull out the softener/bleach compartment in a vertical direction and remove.
- Clean the detergent dispenser, by inserting under warm running water.



- Insert the detergent dispenser until it clicks into place.

Cleaning water inlet strainers

This is necessary if very little or no water flows into the washing machine.

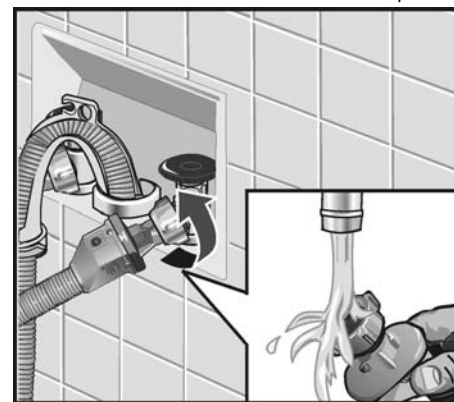
Cleaning is recommended every 6 months to reduce valve blockage in areas using hard water.

First release the water pressure in the supply hoses:

- Turn off the water taps.
- Turn the program selector to any warm program.
- Press **Start/Pause** button and wait for 30 seconds.
- Turn the program selector to **Off**.

Cleaning the strainer(s) on the water tap

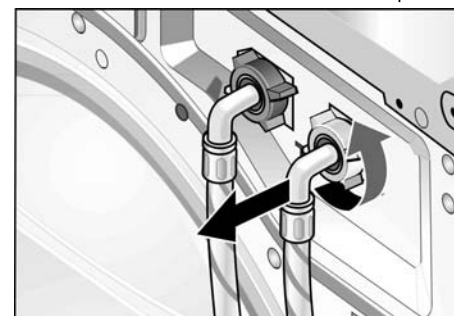
On both the hot and cold water tap:



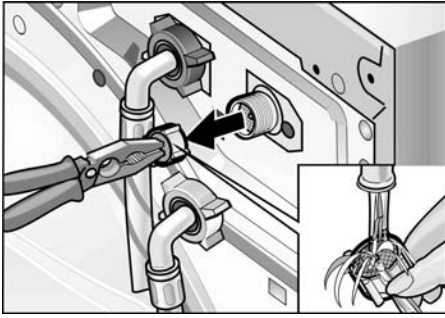
- Disconnect the hose from the water tap.
- Rinse the strainer under running water.
- Reconnect the hose.

Cleaning the strainers on the washing machine

On both the hot and cold water tap:



- ❑ Disconnect the hose from the back of the washing machine.



- ❑ Pull out the strainer and rinse under running water.
- ❑ Insert the strainer and reconnect the hose.
- ❑ Turn on the water taps and check that there are no leaks. If water is leaking, check that the strainer is properly attached.
- ❑ Turn off the water taps.

Cleaning Tips

It is recommended that a small amount of household bleach be run through the washer every 3 months.

With no laundry in the machine, run the machine as follows:

- ❑ Pour 1 cup of bleach in Detergent compartment of the dispenser
- ❑ Run a Regular/Cotton Hot program

Descaling the washing machine

NOTICE

Descaling agents contain acids which may attack parts of the washing machine and discolor the laundry.

Provided that you use the correct type of detergent, it is not necessary to descale the washing machine.

If white spots, lime or mineral deposits appear on the interior of the washing machine drum you can use a descaling agent to remove them.

However, if the appliance has to be descaled, please follow the instructions provided by the descaling agent manufacturer.

Troubleshooting of Minor Faults

WARNING

TO AVOID
RISK OF ELECTRIC SHOCK!
Repairs should only be carried out
by an authorized technician.

If repairs are necessary, and you cannot eliminate the fault yourself with the aid of the following table:

- Turn the program selector to **Off**.
- Disconnect the washing machine from the power outlet.
- Turn off the water taps.
- Call Customer Service (refer to Page 27).

Fault	Possible cause	Action
The door cannot be opened.	Child lock activated.	Deactivate child lock; (see Page 20)
	Power failure.	An interrupted program will be resumed when power is restored. If the laundry is to be removed during a power failure, call Customer Service (refer to Page 27).
	Program is running and/or the door is locked for safety reasons.	Wait until the program ends (see Page 21).
	Plug is loose or not inserted.	Eliminate the cause.
	Program selector turned to Off before end of program.	Select a program.
Door cannot be opened, even though the appliance has been switched off and on again.	Child lock activated.	Deactivate child lock (see Page 20).
	For safety reasons the door has been locked because the water level, temperature or drum speed is too high.	See "Adding to the laundry/Interrupting the program", Page 21 .
Program continues running, even though the appliance has been switched off and on again.	Child lock activated.	Deactivate child lock (see Page 20).
Appliance cannot be operated. "Child lock activated" as indicated in the display field.	Child lock activated.	Deactivate child lock (see Page 20).
Control lights do not light up.	A fuse has blown.	Reset circuit breaker.
	Power failure.	Call Customer Service if this fault recurs. An interrupted program will be resumed when power is restored. If the laundry is to be removed during a power failure, call Customer Service (see page 27).
Program does not start. Start/Pause indicator light flashes.	Start/Pause button not pressed.	Press the Start/Pause button.
Program does not start. "Check Door !" indicated in the display field.	Door not closed properly.	Check whether laundry is trapped in door.
		Close the door (a click should be heard). Program continues.
Program does not start. "Real Time delay" is indicated in the display field.	End time selected and activated.	None. Appliance starts automatically.
Clock cannot be set.	Program has already started; when a program has started, the clock cannot be set.	Wait until program ends.
"Set clock:" text remains in the display field even though the Menu button has been pressed.	The setting has switched from hours to minutes; both selection points have the same text.	None.

Fault	Possible cause	Action
No time displayed.	Time not set.	Set time (see Page 13).
End time cannot be selected.	Time not set.	Set time (see Page 13).
	Program has already started; when a program has started, the end time can no longer be selected.	Before starting the program, select and start the desired end time (see Page 19).
Spin speed cannot be selected.	Spinning is already in progress; during spin cycle the speed cannot be changed.	Select speed before spinning.
Child lock cannot be selected.	The program has already started.	Child lock can be selected in pause mode.
Detergent residue in the detergent dispenser.	Detergent was damp or lumpy.	Clean and dry the detergent dispenser (see Page 22).
		Use the cap of the detergent bottle to measure liquid detergents.
Water does not enter the machine or detergent is not washed away. "Check water tap!" indicated in the display field.	Water tap not turned on.	Turn on water tap. Program continues.
	Supply hose kinked or pinched.	Eliminate the cause.
	Strainers in supply hose clogged.	Clean the water inlet strainers (see Page 22).
	AQUASTOP® Hose safety feature activated.	Check for safety indicator (see page 9). If red, replace hose.
	AQUASTOP® is triggered	Close water tap and investigate leak.
Water cannot be seen in drum.	This is not a fault. The water level is below the visible part of the drum.	Eliminate the cause.
Washing solution has not drained completely. "Suds or blocked pump?" indicated in the display field.	Suds	Use less detergent for future wash loads. Detergents specifically designed for your High Efficiency washer produce fewer suds and will include the letters "HE" on the packaging.
	Pump is blocked	Clean the water drainage pipe and/or drain hose.
Water is flowing out from underneath the machine.	The thread of the supply hose is not tight.	Tighten the thread.
	Leak in the drain hose.	Replace the drain hose.
Suds coming out of the detergent dispenser.	Too much soap or non-HE soap used, pump could not remove suds.	Mix 1 tablespoon of fabric softener with 1 pt (½ litre) of water and pour into detergent dispenser I . (not with outdoor fabric)
		Use less detergent for future wash loads. Detergents specifically designed for your High Efficiency washer produce fewer suds and will include the letters "HE" on the packaging.
Repeated spinning.	This is not a fault. The imbalance compensation system is attempting to balance the load through repeated spins.	Always load the drum with large and small items together.
The laundry was not spun. (Laundry is still wet).	Large items of clothing have become entangled and could not be distributed evenly in the drum. For reasons of safety the high-speed spin cycle was automatically suppressed.	Always load the drum with large and small items together.
	Load size too small.	Add more laundry.
	Too much detergent.	Add fabric softener and start Refresh cycle.
Program duration extended.	This is not a fault. The suds detection feature has activated an additional rinsing cycle to reduce the amount of suds.	Add a more appropriate amount of detergent.
	This is not a fault. The imbalance compensation system is attempting to balance the load through repeated spins.	Always load the drum with large and small items together.

Fault	Possible cause	Action
Unsatisfactory washing result.	The degree of soiling was higher than estimated.	Select suitable program or Stain removal as an additional option.
	Not enough detergent.	Add detergent according to the manufacturer's specifications.
Detergent residue on the laundry.	Some phosphate-free detergents contain water-insoluble residues that may appear as light spots on the laundry.	Brush off spots when laundry is dry.
Gray residue on the laundry.	Dirt accumulation from ointments, fats or oils.	Add the maximum amount of detergent and select the highest permissible temperature.
System shakes or shudders when passing from lower to higher speed spinning.	Drum system suspension can shift during speed up, this is not a failure.	Mix small and large laundry pieces in load to minimize this effect.

Fault displays

Text in display field	Possible cause	Action
"Check water tap!"	Water taps not turned on.	Turn on water tap. Program continues.
	Supply hose kinked or trapped.	Eliminate the cause.
	Strainer in supply hose clogged.	Clean the water inlet strainers (see Page 22).
	Water pressure too low.	Eliminate the cause.
	AQUASTOP® Hose safety feature activated.	Check for safety indicator (see page 9). If red, replace hose.
"Suds or blocked pump?"	Suds or pump is blocked.	Use less detergent for future wash loads. Detergents specifically designed for your High Efficiency washer produce fewer suds and will include the letters "HE" on the packaging. Clean the water drainage pipe and/or drain hose.
"Check Door!"	Door not closed properly.	Check whether laundry is trapped in door. Close the door.
AQUASTOP® Activated"	AQUASTOP® is triggered	Close water tap and investigate the leak.
Washing process is stopped. "Aquastop activated" indicated in display field.	AQUASTOP® is triggered	Locate and resolve the leak. Check all connections. Reset AQUASTOP® .

If the fault cannot be eliminated with the aid of the above table, switch the appliance off, wait 5 seconds, switch the appliance on again, select and start the program.

If the fault continues, call customer service; see Page 27.

Customer Service

The washing machine requires no special care other than the care and cleaning noted previously. If you are having a problem with your washing machine, please refer to page 24 before calling for service.

If service becomes necessary, contact your dealer or installer or an authorized service center. Do not attempt to repair the appliance yourself. Any work performed by unauthorized personnel may void the warranty.

If you are having a problem with your washing machine and are not pleased with the service you have received:

- ❑ First, please contact your installer or the Authorized Service Contractor in your area and explain to them why you are not satisfied. This will usually correct the problem.
- ❑ If after working with your installer or service technician the problem still has not been resolved to your satisfaction, please let us know either by writing to us at:

BSH Home Appliances
5551 Mc Fadden Ave.
Huntington Beach, CA 92649

or calling us:
1-800-944-2904

If writing or calling, please provide the following information:

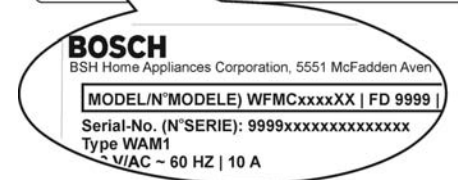
- Model Number
- Serial Number
- Date of Original Purchase
- Date Problem occurred
- Explanation of Problem

If writing, please also include a daytime telephone number and a copy of the sales invoice.

You will find the model number and serial number on the rating plate located on the housing and is visible with the door open.

The image below shows the approximate location of the rating plate. The model number has a rectangle around it. The serial number is located below the model number.

An example is shown below.



The manufacturer reserves the right to make changes in the product or manual without notification.

STATEMENT OF LIMITED PRODUCT WARRANTY

Bosch Nexxt® Clothes Washer

What this Warranty Covers & Who it Applies to: The limited warranty provided by BSH Home Appliances Corporation (Bosch) in this Statement of Limited Product Warranty applies only to the Bosch Nexxt® Clothes Washer (“Product”) sold to you, the first using purchaser, but strictly conditioned on the Product having been purchased: (1) for your normal, household (non-commercial) use, and has in fact at all times only been used for normal household purposes (any commercial use or setting of the Product automatically voids the warranty); (2) new at retail (not a display, “as is”, or previously returned model) purchased directly by the end-user consumer, and not for resale, or commercial use; and (3) within the United States or Canada, and has at all times remained within the country of original purchase. The warranties stated herein apply only to the first purchaser of the Product and are not transferable. The warranty is automatically void if the Product was a display model, sold “as is”, tampered with, a damaged or “scratch and dent” model, or a previously returned model, a free give-away, charitable donation or contest prize.

- Please make sure to return your registration card; while not necessary to effectuate warranty coverage, it is the best way for Bosch to notify you in the unlikely event of a safety notice or product recall.

How Long the Warranty Lasts: Bosch warrants that the Product is free from defects in materials and workmanship for a period of three hundred sixty-five days (365) days from the date of purchase. The foregoing timeline begins to run upon the date of purchase, and shall not be stalled, tolled, extended, or suspended, for any reason whatsoever.

Repair/Replace as Your Exclusive Remedy: During this warranty period, Bosch or one of its authorized service providers will repair your Product without charge to you (subject to certain limitations stated herein) if your Product proves to have been manufactured with a defect in materials or workmanship. If reasonable attempts to repair the Product have been made without success, then Bosch will replace your Product (upgraded models may be available to you, in Bosch’s sole discretion, for an additional charge). All removed parts and components shall become the property of Bosch at its sole option. All replaced and/or repaired parts shall assume the identity of the original part for purposes of this warranty and this warranty shall not be extended with respect to such parts. Bosch’s sole liability and responsibility hereunder is to repair manufacturer-defective Product only, using a Bosch-authorized service provider during normal business hours. For safety and property damage concerns, Bosch highly recommends that you do not attempt to repair the Product yourself, or use an un-authorized servicer; Bosch will have no responsibility or liability for repairs or work performed by a non-authorized servicer. If you choose to have someone other than an authorized service provider work on your Product, THIS WARRANTY WILL AUTOMATICALLY BECOME NULL AND VOID.

Authorized service providers are those persons or companies that have been specially trained on Bosch products, and who possess, in Bosch’s opinion, a superior reputation for customer service and technical ability (note that they are independent entities and are *not* agents, partners, affiliates or representatives of Bosch). Notwithstanding the foregoing, Bosch will not incur any liability, or have responsibility, for the Product if it is located in a remote area (more than 100 miles from an authorized service provider) or is reasonably inaccessible, hazardous, threatening, or treacherous locale, surroundings, or environment; in any such event, if you request, Bosch would still pay for labor and parts and ship the parts to the nearest authorized service provider, but you would still be fully liable and responsible for any travel time or other special charges by the service company, assuming they agree to make the service call.

Extended Limited Warranty:

LENGTH OF WARRANTY	SCOPE OF WARRANTY
2 Year Limited Warranty From Date of Purchase	Bosch will provide replacement parts, free of charge, for any component part that proves defective under conditions of normal home use during the first two years from the date of purchase, normal (non-expedited) shipping costs included, labor charges excluded.
2 Year Limited Warranty on Electronics From Date of Purchase	Bosch will repair or replace, free of charge, any microprocessor or printed circuit board that proves defective under conditions of normal home use during the first two years from the date of purchase, labor charges excluded.
2 Year Limited Warranty on Motor From Date of Purchase	Bosch will repair or replace, free of charge, any motor or component part of the motor that proves defective under conditions of normal home use during the first two years from the date of purchase, labor charges excluded.

Out of Warranty Product: Bosch is under no obligation, at law or otherwise, to provide you with any concessions, including repairs, pro-rates, or Product replacement, once this warranty has expired.

Warranty Exclusions: The warranty coverage described herein excludes all defects or damage that are not the direct fault of Bosch, including without limitation, one or more of the following: (1) use of the Product in anything other than its normal, customary and intended manner (including without limitation, any form of commercial use, use or storage of an indoor product outdoors, use of the Product in conjunction with air or water-going vessels); (2) any party’s willful misconduct, negligence, misuse, abuse, accidents, neglect, improper operation, failure to maintain, improper or negligent installation, tampering, failure to

follow operating instructions, mishandling, unauthorized service (including self-performed "fixing" or exploration of the appliance's internal workings); (3) adjustment, alteration or modification of any kind; (4) a failure to comply with any applicable state, local, city, or county electrical, plumbing and/or building codes, regulations, or laws, including failure to install the product in strict conformity with local fire and building codes and regulations; (5) ordinary wear and tear, spills of food, liquid, grease accumulations, or other substances that accumulate on, in, or around the Product; and (6) any external, elemental and/or environmental forces and factors, including without limitation, rain, wind, sand, floods, fires, mud slides, freezing temperatures, excessive moisture or extended exposure to humidity, lightning, power surges, structural failures surrounding the appliance, and acts of God. In no event shall Bosch have any liability or responsibility whatsoever for damage to surrounding property, including cabinetry, floors, ceilings, and other structures or objects around the Product. Also excluded from this warranty are scratches, nicks, minor dents, and cosmetic damages on external surfaces and exposed parts; Products on which the serial numbers have been altered, defaced, or removed; service visits to teach you how to use the Product, or visits where there is nothing wrong with the Product; correction of installation problems (you are solely responsible for any structure and setting for the Product, including all electrical, plumbing or other connecting facilities, for proper foundation/flooring, and for any alterations including without limitation cabinetry, walls, floors, shelving, etc.); and resetting of breakers or fuses. TO THE EXTENT ALLOWED BY LAW, THIS WARRANTY SETS OUT YOUR EXCLUSIVE REMEDIES WITH RESPECT TO PRODUCT, WHETHER THE CLAIM ARISES IN CONTRACT OR TORT (INCLUDING STRICT LIABILITY, OR NEGLIGENCE) OR OTHERWISE. THIS WARRANTY IS IN LIEU OF ALL OTHER WARRANTIES, WHETHER EXPRESS OR IMPLIED. ANY WARRANTY IMPLIED BY LAW, WHETHER FOR MERCHANTABILITY OR FITNESS FOR A PARTICULAR PURPOSE, OR OTHERWISE, SHALL BE EFFECTIVE ONLY FOR THE PERIOD THAT THIS EXPRESS LIMITED WARRANTY IS EFFECTIVE. IN NO EVENT WILL THE MANUFACTURER BE LIABLE FOR CONSEQUENTIAL, SPECIAL, INCIDENTAL, INDIRECT, "BUSINESS LOSS", AND/OR PUNITIVE DAMAGES, LOSSES, OR EXPENSES, INCLUDING WITHOUT LIMITATION TIME AWAY FROM WORK, HOTELS AND/OR RESTAURANT MEALS, REMODELLING EXPENSES IN EXCESS OF DIRECT DAMAGES WHICH ARE DEFINITELY CAUSED EXCLUSIVELY BY Bosch, OR OTHERWISE. SOME STATES DO NOT ALLOW THE EXCLUSION OR LIMITATION OF INCIDENTAL OR CONSEQUENTIAL DAMAGES, AND SOME STATES DO NOT ALLOW LIMITATIONS ON HOW LONG IMPLIED WARRANTY LASTS, SO THE ABOVE LIMITATIONS MAY NOT APPLY TO YOU. THIS WARRANTY GIVES YOU SPECIFIC LEGAL RIGHTS, AND YOU MAY ALSO HAVE OTHER RIGHTS, WHICH VARY FROM STATE TO STATE. No attempt to alter, modify or amend this warranty shall be effective unless authorized in writing by an officer of BSH.

How to Obtain Warranty Service: To obtain warranty service for your Product, you should contact the nearest Bosch authorized service center.

BSH Home Appliances Corporation – 5551 McFadden Avenue, Huntington Beach, CA 92649 / 800-944-2904

Dispositifs et avantages de votre nouveau lave-linge

Technologie **SENSOTRONIC**[®]

La technologie Bosch **SENSOTRONIC**[®] optimise le processus de lavage à tous les stades du cycle, et ceci au moyen de sondes détectant la charge de linge, le niveau d'eau et la température, et donne d'excellents résultats. Les sondes numériques protègent tous les textiles, la laine, le mohair et la soie. Cette machine fonctionne de facto par simple effleurement d'un bouton.

Système exclusif de charnière & joint

Une charnière renforcée et un nouveau joint de conception révolutionnaire contribuent à retenir la chaleur, ce qui permet à votre linge d'atteindre une température optimale, et d'éliminer ce faisant, même les taches les plus tenaces.

Bac à produit lessiviel à 3 compartiments

Un distributeur de lessive à trois compartiments distribue automatiquement la quantité nécessaire de lessive, d'eau de Javel et de produit d'assouplissement au bon moment.

Cycle **XXTRASANITARY**[™]

Pendant ce cycle innovant, une sonde intelligente commandée par thermostat fait chauffer l'eau à 170° F. Les vêtements sont soigneusement lavés et désinfectés et 99,99 % des bactéries domestiques les plus courantes sont éliminées.

Cycle **KIDSCARE**[™]

Ce sont habituellement les plus jeunes occupants de la maison qui sont à l'origine des taches les plus tenaces. Ce cycle porte l'eau jusqu'à 150° F pour enlever facilement les tâches même les plus rebelles.

Pales de brassage

Tandis que votre linge est brassé en douceur, les palettes délivrent l'eau en cascade depuis une hauteur importante, évacuant ainsi la mousse et conférant à l'ensemble du linge une propreté uniforme et absolument parfaite. Un tambour incliné optimise les performances pour faire en sorte que pas une seule chemise n'échappe au processus de rinçage.

Tambours en acier inoxydable

Le tambour du lave-linge **Nexxt**[™] présente des centaines de trous double perforation à bords arrondis permettant à vos vêtements d'être malaxés en douceur sans risque de s'accrocher.

Chauffe-eau interne

Une résistance chauffante interne porte l'eau à 170° F tandis qu'une sonde thermométrique numérique surveille en permanence la température. Les lave-linge Bosch **Nexxt**[®] offrent la méthode de chauffage la plus efficace et la plus précise, pour chaque type de textile sélectionné.

Fonctionnement silencieux

Les lave-linge Bosch font appel à des moteurs suspendus sans balais, à des systèmes de pompage isolés et à des matériaux insonorisants pour un fonctionnement exceptionnellement silencieux. Cela signifie qu'ils peuvent être installés pratiquement n'importe où dans l'habitation sans gêner qui que ce soit. Le logiciel spécial de contrôle du déséquilibre de Bosch élimine les bruits provoqués par le déséquilibre du linge.

AQUASTOP[®]

AQUASTOP[®] est un système interne de confinement de sécurité conçu pour vous protéger contre le danger d'inondation dû à une fuite et diminuer les chances de dégâts causés par l'eau lorsque le lave-linge est sous tension et en fonctionnement.

Tuyau **AQUASTOP**[®]

Tuyau **AQUASTOP**[®] Arrêt de l'écoulement de l'eau si le tuyau **AQUASTOP**[®] détecte une fuite pouvant provoquer une inondation.

Table des matières

Définitions	32
INSTRUCTIONS DE SÉCURITÉ IMPORTANTES	32
INSTRUCTIONS DE MISE A LA TERRE	34
INSTRUCTIONS D'INSTALLATION	35
Introduction	35
Informations sur la mise au rebut	35
Protection de l'environnement / Questions d'écologie	35
Conformité d'utilisation	35
Équipement fourni d'origine	35
Dimensions	36
Lieu d'installation	36
Enlèvement des boulons servant de cales de transport	37
Branchement de l'eau	38
Branchement électrique	40
Ajustage horizontal	40
Transport par ex. en cas de déménagement	41
INSTRUCTIONS D'UTILISATION	42
Le bandeau de commande	42
Avant d'utiliser l'appareil pour la première fois	43
Utilisation pour la première fois	43
Réglage de l'heure	43
Sélection de la langue	43
Premier cycle de lavage (sans linge)	43
Préparation du linge	44
Tri du linge	44
Degrés de salissures	44
Chargement du linge	45
Produits lessiviels et additifs de lavage du linge	45
Verser la bonne quantité de produit	45
Remplir les compartiments à produits lessiviels et/ou à additifs	46
Décoloration	46
Programmes et fonctions	47
Boutons des options	47
Lavage avec des réglages personnalisés	49
Récapitulatif rapide	49
Fonctions spéciales	49
Protection enfants	50
Pendant le lavage	50
Nouvelle sélection d'un programme	51
Rajout de linge / Interruption du programme	51
Annulation d'un programme en cours	51
Après le lavage	51
Instructions de maintenance par l'utilisateur	52
Nettoyage et entretien	52
Nettoyage du corps de l'appareil et du bandeau de commande	52
Nettoyage du tambour	52
Nettoyage du bac à produits lessiviels	52
Nettoyage des cribles d'arrivée d'eau	53
Détartrage du lave-linge	53
Remédier soi-même aux petites pannes	54
Affichage des dérangements	56
Service Après-Vente (SAV)	57
ÉNONCÉ DE GARANTIE DE PRODUIT LIMITÉE	58
DECLARATION DES GARANTIES LAVE-LINGE BOSCH	58
Tableau de sélection des programmes	60

Le nouveau lave-linge que vous venez d'acheter est un appareil domestique moderne et de haute qualité. Cette machine moderne lave votre linge en faisant appel aux processus de lavage les plus sophistiqués, afin d'obtenir des résultats de lavage hors pair.

Une ingénierie et une fiabilité excellentes réduisent de façon significative les coûts de fonctionnement.

Une philosophie d'utilisation facile, tout un ensemble de programmes de lavage personnalisés, un retour haptique agréable et faisant sentir la solidité du produit font de lui un –assistant pratique dans votre foyer.

Cet appareil offre les caractéristiques standard suivantes :

- Niveau de bruit réduit au lavage et à l'essorage.
- Hublot élevé avec verrouillage magnétique du hublot .
- Ouverture de porte 16 pouces (41 cm), charnière robuste et de qualité, angle d'ouverture 180°.
- Capacité du tambour 22 lbs (10 kg) pour le coton normal.

Chaque lave-linge quittant notre usine a subi un test poussé de performances et se trouve en parfait état de marche. L'appareil peut contenir de l'eau résiduelle, provenant des procédures d'essai. Si vous souhaitez poser des questions sur l'installation du lave-linge, notre service après-vente (SAV) se fera un plaisir de vous conseiller.

Vous trouverez d'autres informations et tout un choix de nos produits sur le site Web suivant : www.boschappliances.com.

Veuillez lire et respecter la présente notice d'utilisation et d'installation, ainsi que toutes les informations accompagnant le lave-linge.

La présente notice d'utilisation et d'installation décrit plusieurs modèles. Les différences éventuelles sont indiquées à l'endroit approprié.

Les illustrations peuvent contenir des détails ne figurant pas sur votre lave-linge.

Définitions

AVERTISSEMENT

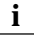
Avvertissement – Ce symbole vous prévient d'un danger de mort ou d'un risque de blessures graves si vous ne respectez pas l'avertissement qui l'accompagne.

PRUDENCE

PRUDENCE – Ce message vous prévient d'un risque de blessures légères ou moyennement graves si vous ne respectez pas ce conseil de prudence.

NOTICE

NOTICE – Ce message vous prévient qu'un risque de dégâts pour l'appareil ou la propriété est possible si vous ne respectez pas cet avertissement.

 Ce symbole est destiné à attirer votre attention sur quelque chose de particulier.

INSTRUCTIONS DE SÉCURITÉ IMPORTANTES

AVERTISSEMENT

Pour réduire le risque d'incendie, de choc électrique, pour écarter tout risque de blessures graves ou tout danger de mort pendant l'utilisation du lave-linge, veuillez prendre des précautions fondamentales comprenant celles décrites ci-après.

1. Les lave-linge BOSCH sont livrés avec une notice contenant des instructions d'utilisation, d'entretien et d'installation. Veuillez lire et assimiler attentivement et intégralement ces instructions avant d'utiliser le lave-linge.
2. Ne lavez jamais dans ce lave-linge du linge préalablement nettoyé, lavé, trempé ou taché avec de l'essence, des solvants de dégraissage à sec ou avec d'autres substances

inflammables, explosives car tous peuvent dégager des vapeurs susceptibles de s'enflammer ou d'exploser.

3. A l'eau de lavage, n'ajoutez pas d'essence, de solvants de dégraissage à sec ni tout autre substance inflammable ou explosive. De ces substances se dégagent des vapeurs susceptibles de s'enflammer ou d'exploser.
4. Dans certaines conditions, de l'hydrogène peut se dégager d'un système à eau chaude qui n'a pas servi pendant quinze jours ou plus. LE GAZ HYDROGENE EST EXPLOSIF. Si le circuit d'eau chaude n'a pas servi pendant une telle période, ouvrez tous les robinets d'eau chaude et laissez l'eau couler plusieurs minutes de chacun avant d'utiliser le lave-linge. Ceci évacuera tout l'hydrogène qui pourrait s'être accumulé. Ce gaz étant inflammable, ne fumez pas et n'utilisez pas de flamme nue pendant cette opération.
5. Avant de retirer l'appareil du service ou de le mettre au rebut, enlevez son hublot et coupez son cordon d'alimentation / sa fiche mâle.
6. N'introduisez pas les mains dans l'appareil pendant que le tambour de lavage tourne.
7. N'installez ni ne stockez pas l'appareil dans un endroit exposé aux intempéries.
8. Ne cherchez pas à modifier les commandes de l'appareil.
9. Ne réparez et ne remplacez pas toute pièce de l'appareil et abstenez-vous de toute manipulation autre que celles

- spécifiquement recommandées dans la notice d'entretien par l'utilisateur ou publiées dans une notice de réparations par l'utilisateur, dont vous comprenez le contenu et pour lesquelles vous détenez les connaissances et l'habileté voulues.
10. Veillez toujours à débrancher le lave-linge de la prise de courant avant d'effectuer toute opération sur l'appareil. Pour le débrancher, saisissez toujours sa fiche mâle, jamais son cordon d'alimentation.
 11. Pour réduire les risques d'incendie, vous devez écarter de toute source d'inflammation, séchoirs compris, les vêtements, chiffons de nettoyage, têtes de balais à frange et objets similaires qui ont été tachés par des substances inflammables, entre autres de l'huile végétale, de l'huile de cuisine, des huiles et distillats à base de pétrole, des cires et des graisses. Ces objets risquent en effet de contenir une ou plusieurs substance(s) inflammable(s) qui, après le lavage du linge, pourraient se mettre à fumer et prendre feu toutes seules.
 12. Ne lavez pas, avec ce lave-linge, de matériaux renforcés de fibre de verre (de nombreux rideaux et parements pour fenêtres contiennent des matériaux à base de fibre de verre). De petites particules pourraient rester dans le lave-linge et s'agripper au linge lors des séances de lavage suivantes, et provoquer ainsi des irritations cutanées.
 13. Lorsque les enfants arrivent à l'âge de faire marcher l'appareil, leurs parents ou tuteurs légaux ont la responsabilité de veiller à ce que des personnes qualifiées leur enseignent des méthodes d'utilisation sûres .
 14. Cet appareil n'est pas un jouet. Ne permettez jamais aux enfants de jouer dessus ou dedans. Surveillez les enfants de près lorsque l'appareil fonctionne à leur proximité.
 15. Eloignez les animaux domestiques du lave-linge.
 16. Ne tentez jamais de brancher / débrancher la fiche mâle de l'appareil avec les mains mouillées.
 17. Ne touchez pas le hublot de chargement pendant le lavage à haute température. Vous risqueriez de vous brûler.
 18. Prudence lorsque vous vidangez de l'eau chaude.
 19. Ne montez pas sur le lave-linge et ne vous appuyez pas sur le hublot ouvert.
 20. Ne vous asseyez pas sur la lave-linge.
 21. Pour réduire le risque de choc électrique, N'UTILISEZ PAS de prolongateur ni de multiprises pour raccorder le lave-linge au secteur domestique.
 22. N'utilisez le lave-linge qu'aux fins pour lesquelles il a été conçu.
 23. Respectez toujours les consignes d'entretien des textiles fournies par les fabricants du linge.
 24. N'utilisez pas le lave-linge si son câble d'alimentation est usé ou si sa prise électrique présente un faux contact. Dans ce cas, prenez contact avec un agent d'entretien agréé.
 25. Assurez-vous que tous les branchements d'eau sur le lave-linge comportent un ou plusieurs robinet(s) de fermeture et qu'ils sont facilement accessibles. Refermez le(s) robinet(s) du lave-linge à la fin de chaque journée de lavage.
 26. Vérifiez régulièrement les jonctions du tuyau flexible de remplissage. Assurez-vous qu'elles sont bien serrées et qu'elles ne fuient pas.
 27. Lisez et respectez toujours les instructions du fabricant du/des produit(s) lessiviel(s), auxiliaire(s) de nettoyage, produit(s) adoucisseur(s) et des produits éliminateurs d'électricité statique. Respectez tous les avertissements et prenez les précautions demandées.
 28. Rangez tous les produits chimiques pour le linge et les produits auxiliaires dans un endroit frais et sec, conformément aux instructions de leurs fabricants.
 29. Pour réduire le risque d'empoisonnement ou de brûlures chimiques, rangez tous les produits de nettoyage hors de portée des enfants.
 30. Ne faites jamais marcher le lave-linge si vous avez défait l'un de ses dispositifs de protection et/ou panneaux de capotage (exception : les boulons servant de cales de transport doivent avoir été enlevés).
 31. N'utilisez jamais le lave-linge s'il lui manque des pièces ou si certaines sont cassées.
 32. Ne tentez pas de rendre les dispositifs de sécurité inopérants.
 33. Pour éviter d'endommager le sol et la prolifération de moisissures, essuyez immédiatement l'eau qui s'est répandue autour ou sous l'appareil, ainsi que les flaques d'eau.
 34. Abstenez-vous de faire marcher ce lave-linge tant que vous n'êtes pas sûr(e) :
 - a. si le lave-linge a été installé conformément aux INSTRUCTIONS D'INSTALLATION.
 - b. que toutes les formes de raccordement, à l'eau, à l'égout, à l'électricité et à la terre se conformeront bien à la réglementation locale et/ou à d'autres prescriptions et exigences.
 35. L'installation, l'entretien et/ou l'utilisation du lave-linge sans respecter les instructions publiées par le fabricant peuvent créer des conditions génératrices de blessures corporelles et/ou de dommage pour les biens (im)mobiliers environnants.
 36. Le fait d'enlever tout panneau, y compris le panneau de service circulaire à l'avant, vous expose à un risque d'entrer en contact avec des arêtes ou pointes coupantes, des connexions électriques et des surfaces très chaudes.
 37. Pour éviter d'endommager le hublot, n'exercez pas de poussée contre lui lorsque vous déplacez l'appareil. Prenez des précautions pour ne pas endommager le planchar.

38. Branchez et testez le branchement de l'eau avant de mettre la machine sous tension.

Remarques :

- A. Les MISES EN GARDE et AVERTISSEMENTS IMPORTANTS figurant dans le présent manuel ne sauraient envisager toutes les situations possibles et imaginables. Faites preuve de bon sens, de prudence et de soin pendant l'installation, l'entretien et l'utilisation de ce lave-linge.
- B. Contactez toujours votre revendeur, distributeur, agent du service après-vente (SAV) ou le fabricant en présence de problèmes ou situations vous paraissant incompréhensibles.

INSTRUCTIONS DE MISE A LA TERRE

Il faut relier cet appareil à la terre. En cas de dysfonctionnement ou de panne, sa liaison avec la terre réduira le risque de choc électrique en fournissant au courant électrique un chemin de passage à résistance électrique très réduite. Cet appareil est équipé d'un cordon d'alimentation avec fil intégré de raccordement de l'appareil à la terre, et d'une fiche de raccordement à la terre. Il faudra brancher la fiche dans une prise femelle appropriée, reliée à la terre conformément à la réglementation et aux décrets locaux.



AVERTISSEMENT

Le branchement inexpert du fil chargé de raccorder l'appareil à la terre peut engendrer un risque de choc électrique. Connectez-le à un circuit individuel de dérivation. Avec l'aide d'un électricien agréé ou d'un technicien du SAV, vérifiez en cas de doute que le lave-linge est bien raccordé à la terre. **NE MODIFIEZ PAS LA FICHE MÂLE** accompagnant l'appareil. Si elle ne rentre pas dans la prise, demandez à un électricien agréé de vous installer une prise femelle appropriée.

CONSERVEZ CETTE NOTICE AFIN DE POUVOIR LA CONSULTER À NOUVEAU ULTÉRIEUREMENT.

Si l'appareil doit un jour changer de propriétaire, remettez-lui le manuel en même temps que le lave-linge.

CONSERVEZ CETTE NOTICE

INSTRUCTIONS D'INSTALLATION

Introduction

PRUDENCE

POUE EVITER
Risque de blessures!
Ce lave-linge est lourd. Soulevez-le avec prudence.

Veillez bien à observer tous les avertissements et mises en garde énoncés ci-dessous.

NOTICE

Les tuyaux flexibles gelés peuvent se déchirer / éclater. N'installez pas ce lave-linge en plein air ou dans un endroit exposé au gel. Si la machine à laver est située dans une chambre qui sera exposée aux températures au-dessous de zéro, ou si elle est située dans une carlingue qui est arrêtée pour l'hiver, n'importe quelle eau résiduelle dans le hose(s) d'admission de pompe ou d'eau doit être vidangée.

Les présentes instructions d'utilisation sont destinées à des installateurs qualifiés. Outre ces instructions et lorsque vous installez le lave-linge :

- Aux Etats-Unis : conformez-vous au National Electric Code, ANSI/NFPA70 – en son édition la plus récente / en conformité avec la réglementation édictée par l'Etat de résidence, la réglementation municipale et/ou locale.
- Au Canada : en conformité avec le Code Electrique Canadien C22.1 – en son édition la plus récente / en conformité avec la réglementation édictée par la province de résidence, la réglementation municipale et/ou locale.

Si le lave-linge doit être installé dans une pièce exposée au gel, ou dans une résidence secondaire fermée pendant l'hiver, vous **devez** vidanger toute l'eau présente dans la pompe et dans le(s) flexible(s) d'arrivée d'eau.

Veillez à ne pas endommager le lave-linge.

Lorsque vous le soulevez, ne le saisissez pas par ses parties saillantes (le hublot par ex.).

Outre les instructions de sécurité énoncées ici, vous devez respecter les prescriptions spéciales édictées par vos compagnies locales de distribution d'eau et d'électricité.

En cas de doute, confiez le raccordement à un technicien agréé.

Informations sur la mise au rebut

Mise au rebut de l'emballage

L'emballage d'expédition protège votre nouvel appareil pendant son transport jusqu'à chez vous. Tous les matériaux composant l'emballage sont écologiques et recyclables. Pour contribuer vous aussi à la protection de la nature, mettez les matériaux d'emballage au rebut de façon respectueuse de l'environnement.

Consultez votre revendeur ou l'administration municipale pour connaître les meilleurs moyens d'éliminer l'emballage.

AVERTISSEMENT

Conserver les cartons d'expédition et divers éléments d'emballage hors de portée des enfants pour éviter tout risque de suffocation associée aux enveloppes de plastique et aux cartons pliants.

Mise au rebut de l'ancien appareil

Les appareils anciens ne sont pas des déchets sans valeur! Un recyclage respectueux de l'environnement permet de récupérer de précieuses matières premières.

AVERTISSEMENT

Si l'appareil est inutilisable, débranchez-le de la prise de courant, coupez le cordon d'alimentation et jetez-le. Pour empêcher les enfants de s'enfermer à l'intérieur de l'appareil, retirez le hublot du lave-linge.

Pour empêcher que des enfants ne s'enferment dans l'ancien appareil et risquent leur vie, détruisez le système de fermeture du hublot ou retirez ce dernier.

Protection de l'environnement / Questions d'écologie

Votre nouveau lave-linge utilise efficacement l'eau, l'électricité et le produit lessiviel qu'il consomme, ménageant ainsi à la fois l'environnement et le budget de votre ménage.

Utilisez votre lave-linge de manière efficace et respectueuse de l'environnement :

- Evitez de mettre trop de produit lessiviel.
- Utilisez le détergent étiqueté HE pour obtenir une efficacité élevée avec les lave-linge à chargement frontal.
- Ajoutez du produit lessiviel en fonction du degré de salissure, de la quantité de linge et de la dureté de l'eau. Respectez les instructions du fabricant du produit lessiviel.

Conformité d'utilisation

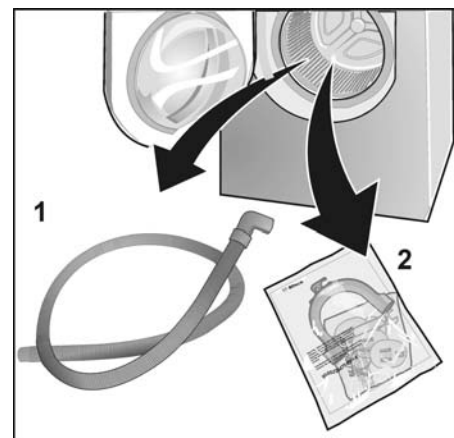
Votre lave-linge est destiné à :

- Un usage domestique uniquement.
- Pour le nettoyage des tissus lavables en machine à l'eau du robinet.
- Laver à l'aide d'eau du robinet froide et chaude (140 °F/60 °C) et d'additifs conventionnels adaptés à l'emploi en lave-linge domestiques.

Equipement fourni d'origine

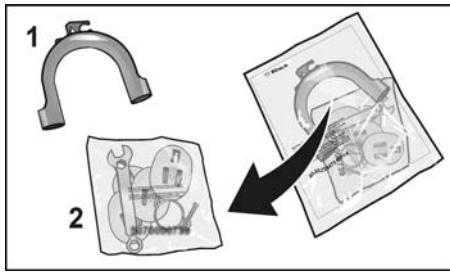
Votre lave-linge a été fourni accompagné d'un paquet d'accessoires. Vérifiez que les accessoires fournis avec votre modèle figurent au complet. Si des pièces manquent, prévenez immédiatement votre revendeur.

The drum contains:

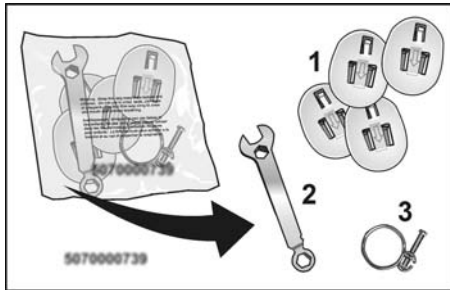


1. Tuyau flexible de vidange de l'eau.
2. Pochette de documentation avec manuel de l'utilisateur

Le contenu de paquet de littérature inclut :



1. Support pour le tuyau flexible de vidange.
2. Le sachet d'accessoires



Le sachet d'accessoires contient ceci:

1. Coiffes servant à obturer les ouvertures demeurées libres après l'enlèvement des cales de transport.
2. Clé d'ajustage de l'horizontalité.
3. 1 coude servant à raccorder le tuyau flexible de vidange par ex. à un évier.

Suivant le type de branchement, vous aurez peut-être aussi besoin de l'accessoire suivant :

- Pièce en «Y» (procurez-vous la dans toute quincaillerie) au cas où vous ne pourriez raccorder le lave-linge qu'à l'eau froide.

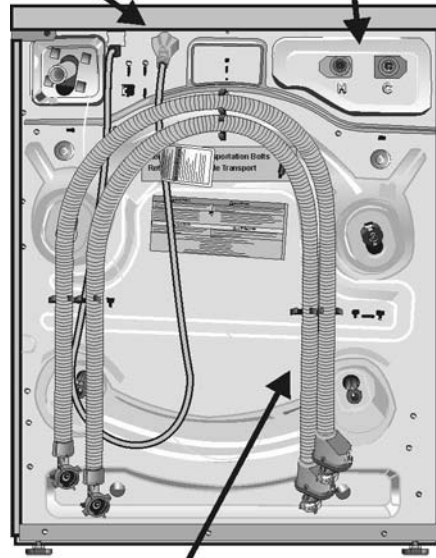
Toute humidité présente dans le tambour provient du dernier essai subi par l'appareil avant de quitter la chaîne de fabrication.

Dos de l'appareil :

- raccords d'eau chaude et d'eau froide
- cordon d'alimentation avec étiquette qui avertit qu'il faut retirer les boulons de transport
- deux tuyaux **AQUASTOP®** (retirez les tuyaux des pinces à l'arrière du lave-linge avant de procéder à l'installation)

cordon d'alimentation électrique

raccord eau froide et chaude

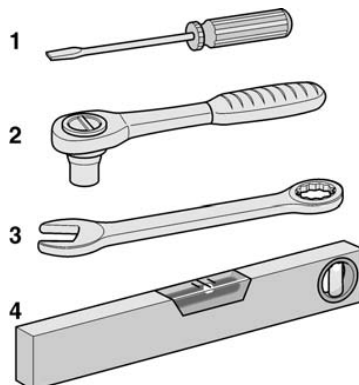


Tuyau AQUASTOP

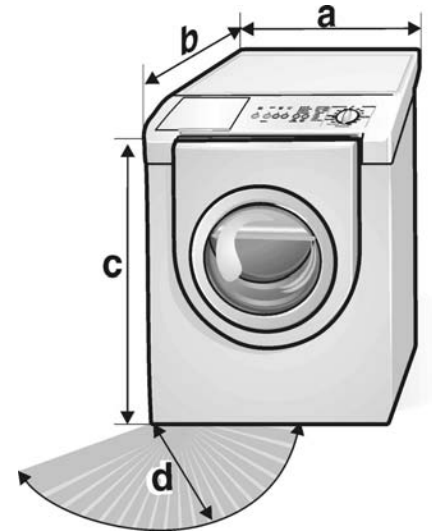
Outillage utile

Les outils suivants vous faciliteront la tâche:

1. Tournevis à pane plate.
2. Clé à pipe (1/2" / 13mm).
3. Clé polygonale (1/2" / 13 mm).
4. Niveau à bulle.



Dimensions



- a = 27.0 pouces (686 mm)
- b = 30.7 pouces (780 mm)
- c = 37.0 pouces (940 mm)
- d = 16.0 pouces (407 mm)
- Angle d'ouverture du hublot : 180°
- Poids approximatif = 220 lbs (100 kg.)

Lieu d'installation

⚠ AVERTISSEMENT

Ne reliez jamais le fil de terre du lave-linge à une tuyauterie en plastique, à un tuyau de gaz ou d'eau chaude.

Vu les vitesses d'essorage assez élevées qu'atteint la machine, il faut l'installer sur un sol dur et bien plat. Si vous l'installez sur un plancher en bois au-dessus d'un sous-sol ou d'un rez-de-chaussée, il faudra peut-être renforcer ce plancher. La structure et la robustesse du plancher là où est installée la machine peuvent influencer sur le niveau de bruit et les vibrations de la machine, et engendrer un risque qu'elle se déplace toute seule.

Si le lave-linge doit être installé sur un plancher, veuillez :

- Les surfaces molles, telles que celles recouvertes de moquette ou les revêtements à dos en mousse ne conviennent pas. Si possible, placer l'appareil dans un coin de la pièce.
- Visser une planche résistante à l'eau (épaisseur minimum : 3/4") sur le sol.
- Utiliser des brides de retenue pour bloquer les pieds du lave-linge. Pour obtenir ces brides (en kit), adressez-vous au service après-vente (n° de réf. WMZ 2200).

- ❑ Cet appareil ne peut pas être monté au-dessus du plan de travail.
- ❑ Cet appareil ne peut pas être monté en-dessous du plan de travail.

Montage sur estrade

Nombre accessoire de piédestal de 8 pouces

WTZ 1295, pour tonalité de blanc
WTZ 1295S, pour tonalité l'argent
WTZ 1295P, pour tonalité de duo l'argent/blanc

Nombre accessoire de piédestal de 15 pouces

WTZ 1500, pour tonalité de blanc
WTZ 1500S, pour tonalité l'argent
WTZ 1500P, pour tonalité de duo l'argent/blanc
WTZ 1500C pour tonalité de duo champagne/blanc.

Pour monter le lave-linge sur l'estrade Bosch, veuillez suivre la notice d'instructions accompagnant cet accessoire.

- i** Installez le piédestal avant d'enlever des boulons de transport.

Placard

Si le lave-linge doit fonctionner dans un placard, respectez les écarts minimaux conformément au tableau suivant :
 Ecart minimum à l'installation

	Placard
Côtés	1/4" (6 mm)
Sommet	12" (305 mm)
Arrière	2.5" (64 mm)
Devant	1/4" (6 mm)

Sommet: 48 sq. in (310 sq. cm),
 En bas: 24 sq. in (155 sq. cm)

Check-List pour l'installation

	Page
Enlevez complètement les 4 boulons de transport amenez le lave-linge sur son emplacement	37
Branchez le flexible à eau et le flexible de vidange	38
Raccordez-le à une prise électrique	40
Faites glisser le lave-linge jusque sur son emplacement final	40
Adjustez-le le plus bas possible	40
Exécutez un cycle de nettoyage avant la première utilisation	43

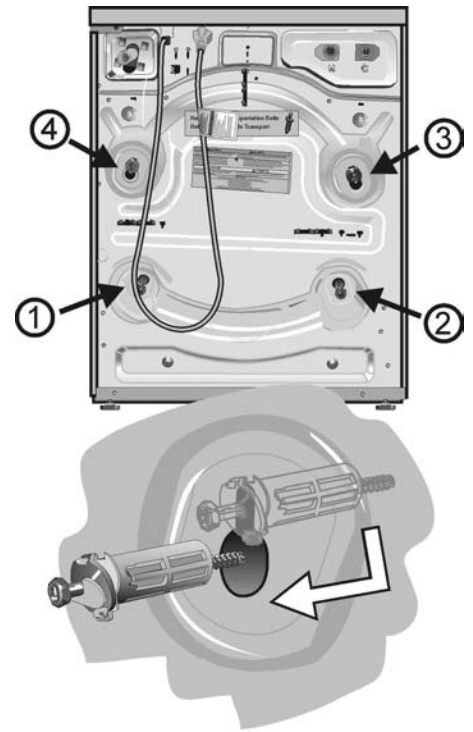
Enlèvement des boulons servant de cales de transport

NOTICE

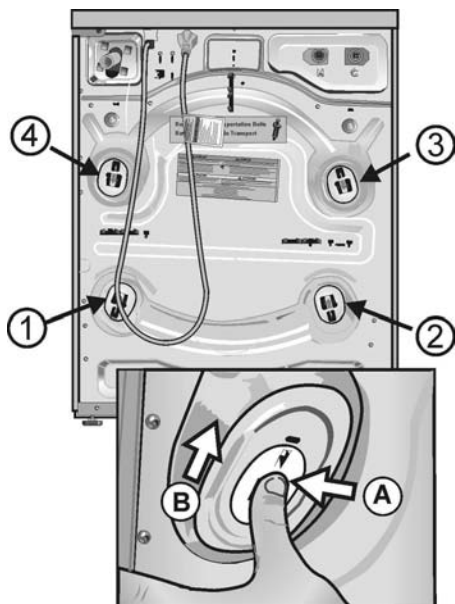
Ne mettez pas l'appareil en service pour la première fois tant que vous n'avez pas retiré ses cales de transport. Conservez ces cales en vue d'un déplacement ultérieur (déménagement par ex) de l'appareil. Si vous avez acheté une trousse de montage de piédestal, suivez les instructions d'installation livrées avec la trousse avant de retirer les boulons de transport.

- ❑ Desserrez les 4 boulons avant de dévisser complètement l'un des quatre boulons.
- ❑ Enlevez les deux boulons du bas avant ceux du haut. Retirez les boulons dans l'ordre indiqué sur le schéma ci-dessous.
- ❑ Desserrez les boulons en vous servant de l'extrémité fermée de la clé 1/2" livrée d'origine.

Desserrez les boulons jusqu'à pouvoir les retirer librement.
- ❑ Les boulons inférieurs en retrait seront probablement plus faciles à retirer avec une clé à douilles de 1/2 po (13 mm).



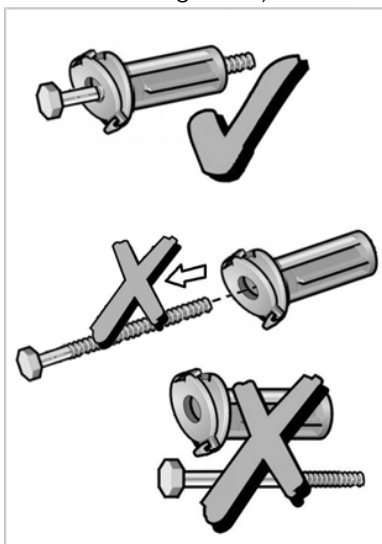
- ❑ Enlevez complètement les 4 assemblages de boulons pour le transport (boulon, ressort, rondelle et raccords). Tirez le tambour du lave-linge légèrement en avant vers le hublot ouvert du lave-linge pour diminuer la pression exercée sur les assemblages de boulons de transport. Faites glisser chaque assemblage de boulon de transport dévissé hors de son orifice de retenue, puis faites-le sortir par le trou arrondi du bâti.
- ❑ Si les douilles ne sortent pas lorsque vous retirez les vis, replacez ces dernières dans les douilles puis essayez à nouveau avec précaution. Il est important que vous serviez des vis, sinon les douilles ne sortiront pas correctement.
- ❑ Pour ranger les boulons en vue d'une utilisation future, ne les détachez pas des douilles en plastique.



- ❑ Placez les caches de plastique par dessus les trous qu'occupaient les boulons de transport. Enfoncez la languette (A) et faites glisser le cache vers la petite fente (B).

Rangement des cales de transport

Ne jetez pas les cales de transport. Vous en aurez besoin lors d'un déplacement futur de l'appareil (par ex. lors d'un déménagement).



- ❑ Rangez les cales de transport chacune équipée de sa rondelle et de sa douille.

Branchement de l'eau

Alimentation en eau

NOTICE

Ne faites marcher ce lave-linge qu'avec de l'eau provenant du robinet d'eau froide ou d'eau chaude (140 °F / 60 °C maxi.). Ne raccordez pas l'appareil au mitigeur d'un chauffe-eau non pressurisé.

En cas de doute, confiez le branchement à un technicien agréé. Veillez bien à :

- Ne pas plier ni aplatir le tuyau flexible d'alimentation en eau.
- Ne pas le modifier ni le couper (sa solidité ne serait plus garantie).

NOTICE

Le client est seul responsable de la fixation solide des raccords EXTÉRIEURS de tuyau. Le fabricant n'assume aucune responsabilité ou obligation pour tout raccordement EXTÉRIEUR de tuyau ou tout autre raccordement mal effectué.

Serrez les raccords en plastique uniquement à la main. N'enlevez pas les cribles de filtrage équipant les tuyaux flexibles d'alimentation en eau. Tenez compte de la pression régnant dans le réseau d'eau public :

- La pression d'eau doit se situer entre 20 et 120 p.s.i. (1,37 et 8,3 bars) lorsque le robinet est ouvert et au moins 2,2 gallons américains (8 litres) d'eau doivent être débités chaque minute.
- Si la pression de l'eau au robinet dépasse maximum il faudra installer un détendeur.

NOTICE

Pour vous protéger de tout risque d'inondation, les robinets d'eau chaude et d'eau froide doivent demeurer accessibles une fois le lave-linge en place. Ramenez-les toujours en position fermée lorsque le lave-linge ne sert pas.

NOTICE

Si vous installez le lave-linge dans un bâtiment neuf ou dans un bâtiment dont le réseau de conduites vient d'être récemment installé ou réparé, faites d'abord couler beaucoup d'eau par les conduites de ce réseau avant de leur raccorder le lave-linge. Cette opération a pour but de chasser le sable, les impuretés et résidus qui pourraient être restées dans les conduites.

Branchement

C Branchement de l'eau froide et H Branchement de l'eau chaude (140 °F / 60 °C max.)

- ❑ Il faut serrer à **la main** les raccords en plastique lorsque vous branchez les flexibles d'alimentation au dos de l'appareil. Ne retirez pas les cribles situés dans les flexibles d'alimentation en eau.



- ❑ Après le branchement : ouvrez les robinets d'eau en grand et vérifiez que les raccords sont étanches.

Extension de tuyau

Il est possible que le tuyau Aquasecure ne rentre pas dans l'espace prévu au niveau du robinet mural. Vous pouvez obtenir une courte rallonge de tuyau (pièce n° 645787) auprès du service clientèle (voir page 57).

Autres Tuyaux

Disponible des négociants d'appareil :

- A étendu le tuyau de provision (approx. 96,1 pouces, 2,44 mètres)

⚠ PRUDENCE

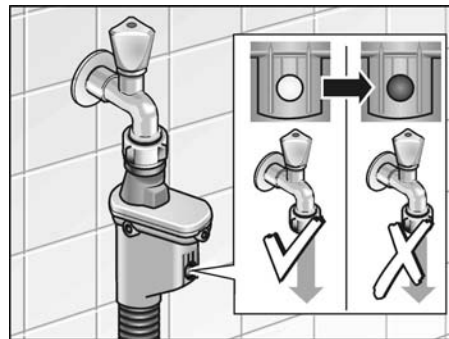
Les raccords se trouvent sous la pression intégrale de l'eau. Vérifiez leur étanchéité avec chaque robinet en position grande ouverte.

AQUASTOP®

Lors de la détection d'une fuite ou d'une inondation, le dispositif de valve d'arrêt situé à l'intérieur du tuyau, et/ou l'interrupteur flottant dans la base déclenchent l'arrêt de la machine en vue d'assurer un confinement presque (dans le pire des cas, lorsque la machine fonctionne normalement, 4 litres d'eau peuvent s'échapper).

AQUASTOP® est basé sur une technologie de confinement interne et n'assure aucune protection contre les forces extérieures, tels les problèmes de plomberie des logements ou les dommages causés au tuyau de la machine (par exemple les dégâts d'installation). La machine doit être de niveau et mise en marche (« on ») pour que cette fonction puisse être opérationnelle.

- ❑ La fonction **AQUASTOP®** n'est pas active et ne sera pas opérationnelle si le sélecteur de programme est dans la position Arrêt (« Off »).
- ❑ Le lave-linge doit être de niveau pour que la fonction **AQUASTOP®** puisse être opérationnelle.



Le tuyau AQUASTOP®

Le tuyau **AQUASTOP®** est basé sur une technologie de confinement externe qui protège contre les inondations potentielles en cas de fuite du tuyau.

En cas de fuite du tuyau, une marque rouge s'affiche et l'arrivée d'eau est coupée.

- ❑ Un tuyau **AQUASTOP®** qui s'est déclenché ne peut pas être réinitialisé. Contactez le service clientèle pour obtenir un tuyau de rechange (voir page 57).

Vidange de l'eau

NOTICE

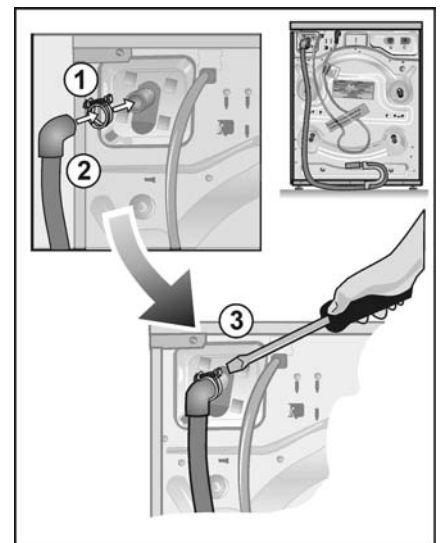
Ne pliez pas le tuyau flexible de vidange de l'eau et ne le tirez pas.

Écart de hauteur entre l'emplacement d'installation du lave-linge et le point d'évacuation : 8 pi / 244 cm maximum, 2 pi / 60 cm minimum (plus la hauteur du piédestal dans le cas où le lave-linge en aurait un).

Branchement du tuyau flexible de vidange de l'eau

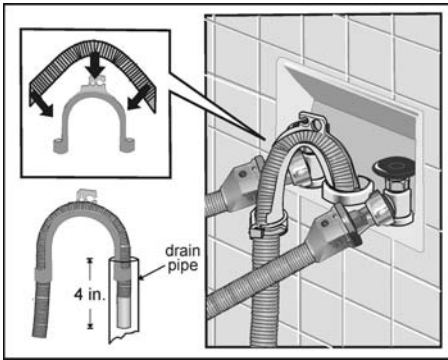
- ❑ **No retirez pas la vis du système de bridage.** Desserrez seulement la vis ce qu'il faut pour que la bride glisse librement sur le flexible de vidange.

1. Fixez le tuyau flexible de vidange à l'extrémité de la prise de vidange.



2. Fixez le tuyau de vidange contre le raccord à cet effet au dos de l'appareil; positionnez la bride du flexible à approx. 3/8 pouces (9 mm) de l'extrémité du flexible.
3. Serrez la bride avec un tournevis.

Installation encastrée dans le mur



- ❑ Utilisez le coude. Connectez le coude au bout du tuyau et introduisez l'extrémité du tuyau dans le siphon d'évacuation du mur à environ 4 pouces (10 cm) de profondeur.
- ❑ Il faudrait que le flexible et le coude pénètrent dans le conduit de vidange ouvert aussi loin que le coude le permet lorsqu'en assise comme sur la figure ci-dessus.
- ❑ Utilisez un collier ou un serre-câble pour maintenir le tuyau flexible en place.

Branchement électrique

CONSIGNES DE RACCORDEMENT A LA TERRE

Il faut impérativement raccorder ce lave-linge à la terre. Si un dysfonctionnement ou une panne se produit, le raccordement à la terre réduira le risque de choc électrique vu que le courant pourra s'échapper par un fil offrant une faible résistance électrique. Cet appareil est équipé d'un cordon d'alimentation intégrant un fil de terre et une fiche de terre. Il faut raccorder la fiche à une prise femelle réglementairement installée et dotée de contacts eux-mêmes raccordés à la terre, ceci en conformité avec la réglementation et les ordonnances locales.

⚠ AVERTISSEMENT

Un raccordement incorrect de l'appareil à la terre engendre un risque de choc électrique. Si vous avez des doutes sur son raccordement à la terre, confiez la vérification à un électricien agréé ou à un technicien du SAV.

Ne modifiez jamais la fiche mâle fournie avec l'appareil. Si elle refuse de rentrer dans la prise femelle, faites-en installer une appropriée par un électricien agréé.

⚠ AVERTISSEMENT

Ne raccordez le lave-linge qu'à une ligne du secteur domestique spécialement destinée à celui-ci et terminée par une prise femelle réglementairement raccordée à la terre.

La tension du secteur domestique doit correspondre à celle spécifiée sur la plaque signalétique de l'appareil (plaque signalétique : voir page 57). Les spécifications de branchement ainsi que l'ampérage que doivent supporter les fusibles / disjoncteurs figurent également sur la plaque signalétique.

Volts	Hertz	Ampères	Watts
110-120	60	15	1350 (max.)

Assurez-vous que :

- La fiche mâle rentre bien dans la prise femelle du secteur.
- Les fils des câbles présentent bien la section minimum admise.
- Le circuit de raccordement à la terre a été correctement installé.

Seul un électricien agréé est habilité à remplacer un câble de secteur. Des câbles secteur de rechange sont disponibles auprès du service après-vente.

⚠ AVERTISSEMENT

Pour éviter tout risque d'incendie ou de choc électrique, N'UTILISEZ PAS de prolongateur ou de multiprises pour raccorder ce lave-linge au secteur électrique.

L'utilisation d'un Disjoncteur de fuite de terre (GFCI) est recommandée.

Ne (dé)branchez jamais la fiche mâle avec les mains mouillées ou humides. Lorsque vous débranchez la fiche mâle, saisissez toujours la fiche, pas le cordon.

⚠ PRUDENCE

POUE EVITER RISQUE DE BLESSURES – Soyez prudent pendant que vous utilisez la clé.

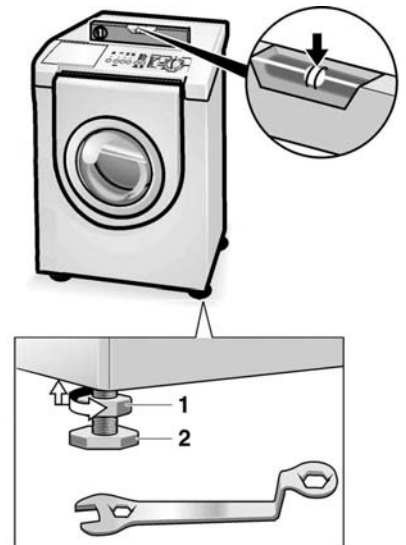
Ajustage horizontal

1. L'appareil doit maintenant se trouver à sa place définitive, prêt à être mis à niveau (si vous déplacez l'appareil après l'avoir mis à niveau, il faudra refaire la mise à niveau)

Placez tous les pieds du lave-linge bien d'aplomb sur le sol pour assurer sa stabilité.

Procédez après avoir vissé les quatre pieds le plus possible, puis vous mettrez à niveau le lave-linge en dévissant chaque pied.

2. Utilisez un niveau à bulle mesurant 24 po (61 cm) de long ou moins pour mettre à niveau l'avant et l'arrière du lave-linge, puis les côtés (vérifiez que le niveau s'encastre entre les bords du lave-linge ; la moulure à la surface de l'appareil ne doit pas surélever l'une des extrémités du niveau.)
3. Réglez la planéité du lave-linge à l'aide des quatre pieds réglables en hauteur. Mettez l'appareil à niveau le plus près possible du sol afin de réduire les vibrations.



- ❑ Desserrez l'écrou de blocage (1 sur la figure) en le tournant en sens horaire à l'aide de la clé fournie (clé à molette 5/8 pouces). En tournant l'écrou de blocage, le pied (2 sur la figure) qu'il bloque tourne avec lui. Cette opération allonge le pied.

- ❑ Faire sortir le pied (tourner en sens horaire) soulève le coin du lave-linge. Faire rentrer le pied (tourner dans le sens anti-horaire) abaisse le coin du lave-linge. Une fois le coin levé ou abaissé au niveau approprié, immobilisez le pied réglable en tournant l'écrou de blocage dans le sens anti-horaire jusqu'à ce qu'il se bloque contre le capôt du lave-linge.

i Vous devrez éventuellement utiliser une paire de pinces pour maintenir le pied et l'empêcher de tourner avec l'écrou que vous serrez. Si le pied tourne, ce dernier va modifier la hauteur du coin.

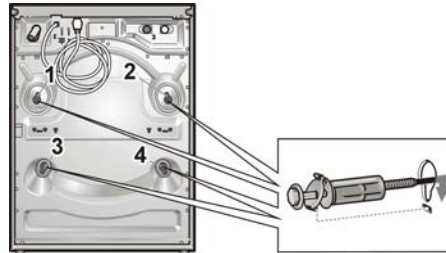
- ❑ Après avoir réalisé les réglages préliminaires, appuyez sur chaque coin du lave-linge pour vérifier qu'il ne vacille pas. S'il vacille, abaissez le pied du coin concerné jusqu'à ce qu'il entre franchement en contact avec le sol.
4. A l'aide d'un niveau à bulle (longueur de 24 pouces maximum), contrôlez la planéité du lave-linge (pour avoir des informations détaillées, voir la section de mise à niveau dans le manuel utilisateur).
 5. Mettez au point le nivellement de votre lave-linge en vérifiant à l'aide d'un niveau à bulle après avoir fait la première lessive. Cette étape est très importante.

Transport par ex. en cas de déménagement

Avant de transporter le lave-linge :

- Refermez les robinets d'eau.
- Débranchez le lave-linge de la prise de secteur.
- Débranchez les tuyaux flexibles d'alimentation et de vidange.
- Mettez les cales de transport en place.

Préparation et insertion des cales de transport



- ❑ Retirez les coiffes.
- ❑ Préparez les cales de transport : Desserrez la vis pénétrant dans la douille, ceci jusqu'à ce que l'extrémité de la vis arrive à ras de l'orifice de la douille.
- ❑ Insérez et serrez toutes les cales de transport. La partie saillante du boulon doit se situer dans la rainure visible dans le panneau arrière boîtier.

INSTRUCTIONS D'UTILISATION

Le bandeau de commande

AVERTISSEMENT

Avant d'utiliser votre lave-linge, lire et suivre toutes instructions d'installation et opération.

Boutons des options

vous pouvez les ajouter au programme si nécessaire

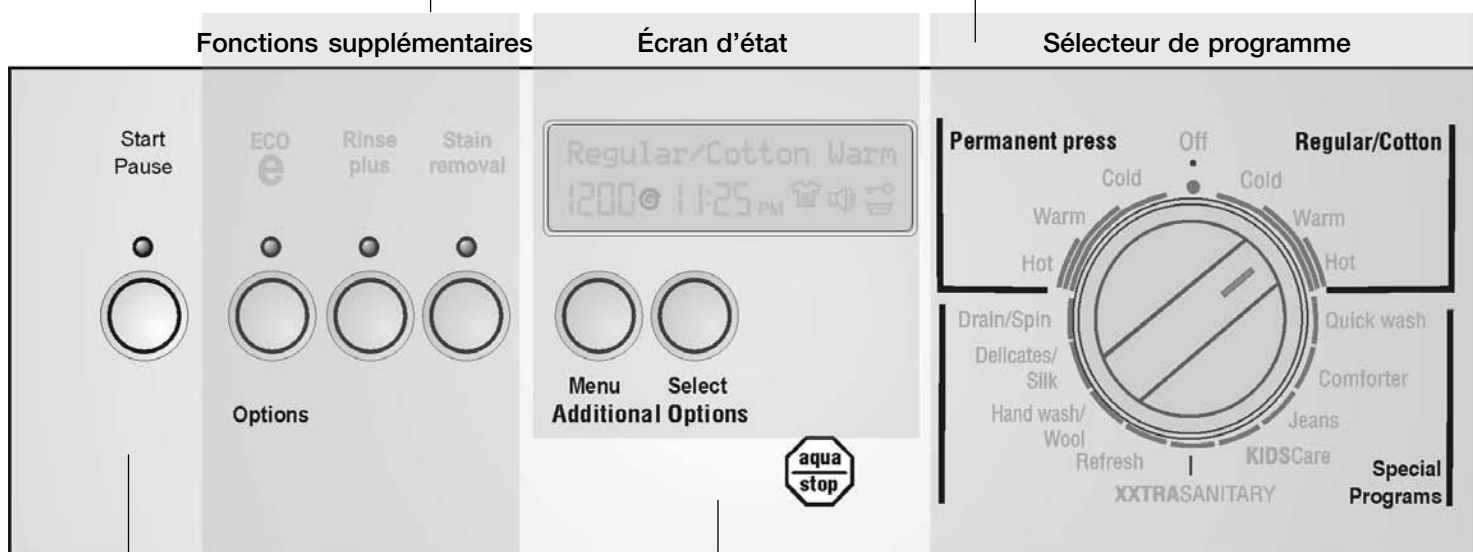
ECO e : Cette option permet de réduire la quantité d'énergie nécessaire au fonctionnement du programme de lavage.

Rinçage Plus : Cycle de rinçage supplémentaire.

Retrait des taches : Durée de lavage supplémentaire avec sélections de température supplémentaires pour une meilleure élimination des taches.

Ecran d'affichage Il affiche les réglages que vous avez sélectionnés ou que vous voulez changer (par ex. la vitesse d'essorage, l'heure de fin, le trempage, l'heure et la protection enfants, ainsi que le stade d'avancement du programme).

Programmeur Il sert à allumer et éteindre la machine et à sélectionner le programme voulu. Ce programmeur peut tourner dans les deux sens.



Start/Pause Bouton

Active ou interrompt le cycle de lavage (le programme doit être sélectionné avant d'appuyer sur la touche Start/Pause [Démarrage/Pause]).

Start/Pause Voyant indicateur

Le voyant clignote en rouge : vous pouvez modifier les réglages, lancer un cycle de lavage, le hublot est verrouillé pour des raisons de sécurité, la protection enfants est active ou le programme se trouve en mode «Pause».

Le voyant est allumé en rouge : ceci signifie qu'un programme est en cours d'exécution. Vous pouvez appuyer sur le bouton «Pause».

off: Program is finished or no program has been selected or the door is open.

Bouton Menu

Ce bouton sert à choisir les réglages que vous voulez modifier.

Bouton Select Ce bouton change tous les réglages sur l'écran d'affichage.

Avant d'utiliser l'appareil pour la première fois

Le lave-linge doit avoir été correctement installé et raccordé (reportez-vous à la page 57).

AVERTISSEMENT

Avant d'utiliser votre lave-linge, lire et suivre toutes instructions d'installation et opération.

Utilisation pour la première fois

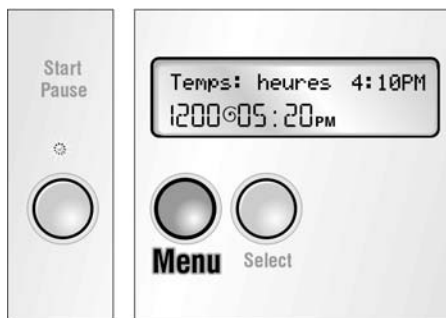
Réglage de l'heure

- i** Pour définir les réglages individuels (plus spécialement la «Fin du programme à», il faut commencer par régler l'heure.

Vous pouvez régler l'heure actuelle. Les réglages demeurent même si vous ne vous servez pas du lave-linge pendant un maximum de 6 semaines.

- Réglez le programmeur sur la langue voulue.

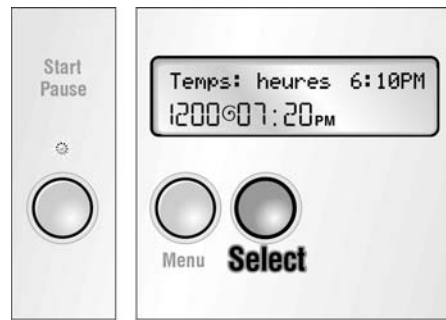
Exemple:



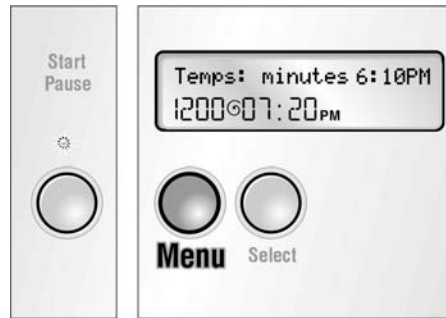
- Appuyez sur le bouton **Menu** jusqu'à ce que la mention «Temps:» s'affiche. L'affichage de l'heure clignote.

Le voyant indicateur **Start/Pause** clignote en rouge.

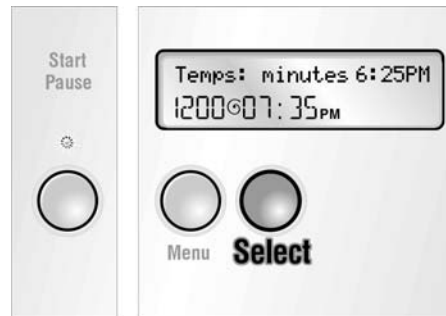
- i** Si vous n'appuyez sur aucun bouton dans les 10 secondes qui suivent, le contenu d'écran revient sur la position normale «Prêt». L'appareil mémorise les réglages modifiés.



- Appuyez sur le bouton **Select** jusqu'à ce que l'affichage des heures soit correct.



- Appuyez sur le bouton **Menu** jusqu'à ce que l'affichage des minutes clignote. Le voyant indicateur **Start/Pause** clignote en rouge.



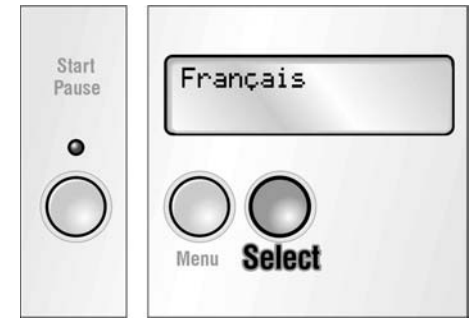
- Appuyez sur le bouton **Select** jusqu'à ce que l'affichage des minutes soit correct. L'heure est maintenant correctement réglée.

- i** Appuyez sur le bouton **Menu**. La fonction de menu se désactive. Vous pouvez sélectionner d'autres réglages en appuyant sur le bouton **Menu** et les modifier en appuyant sur le bouton **Select**.

Sélection de la langue

- i** L'heure doit être placée avant que la langue puisse être changée.
- i** Il faut préalablement avoir ramené le programmeur sur **Off**.

- Appuyez simultanément sur les boutons **Menu** et **Select** et maintenez-les appuyés pendant 5 secondes jusqu'à ce que la langue actuellement réglée s'affiche.



- Appuyez sur le bouton **Select** jusqu'à ce que la langue voulue s'affiche.
- Confirmez la sélection de la langue en appuyant sur le bouton **Menu**.
- i** Vous pouvez confirmer la langue choisie soit en appuyant sur le bouton **Menu**, soit en laissant la langue affichée pendant cinq secondes.

Zone d'affichage

Sur la première ligne, le texte indiquant la progression du fonctionnement et du programme est affiché sur la gauche. L'heure actuelle est affichée sur la droite lorsque «Ready» (Prêt) est affiché sur la gauche.

Sur la deuxième ligne sont indiqués la vitesse de rotation et l'heure à laquelle le programme doit se terminer, ainsi que les symboles qui correspondent aux fonctions Spin speed (Vitesse de rotation), Washing mode (Mode de lavage), Pre-Soak (Prétrempage), Signal et Child lock (Verrouillage enfants).

Premier cycle de lavage (sans linge)

Votre appareil a été testé avant de quitter l'usine. Pour vous assurer que votre première charge de linge sera bien lavée, exécutez auparavant un cycle complet à vide.

- Ne chargez pas de linge dans le tambour.
- Ouvrez le robinet d'eau.
- Ouvrez le couvercle du bac jusqu'à la butée finale.
- Versez env. 1 quart (1 litre) d'eau dans le compartiment **I** du bac à produits lessiviels ; voir page 60.
- Versez 1 à 2 c. à soupe de produit lessiviel dans le compartiment **I** à produit lessiviel.

i N'utilisez pas de détergent pour textiles délicats ou pour la laine (risque d'une production excessive de mousse).

- Refermez le bac à produits lessiviels.
- Refermez le hublot.
- Réglez le programmeur sur **Regular/Cotton Hot** (Couleurs / Coton Avec ajout de chaleur).

Le voyant indicateur **Start/Pause** clignote en rouge.

- Appuyez sur le bouton **Start/Pause**.

Le programme démarre.

Le voyant de contrôle reste allumé en rouge sans clignoter.

i Les étapes individuelles du programme s'affichent sur l'écran.

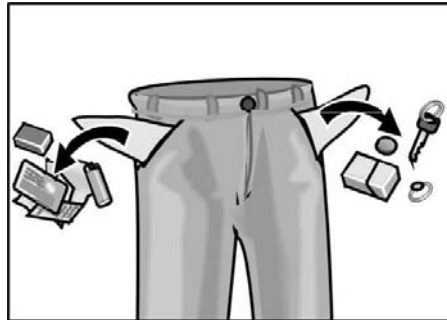
Si la mention «Enlever le linge» s'affiche:

- Ouvrez le hublot.
- Ramenez le programmeur sur **Off**.

Préparation du linge

NOTICE

Les objets divers (par ex. pièces de monnaie, trombones, aiguilles, clous et d'autres objets durs) peuvent, pendant le lavage, endommager le linge ainsi que certaines pièces du lave-linge (le tambour par ex.).



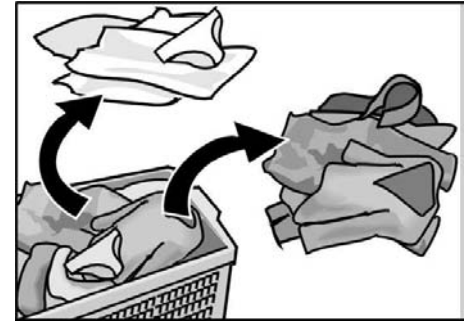
- Videz toutes les poches que comporte le linge.
- Brossez les bourres, le sable et les salissures.
- Fermez les fermetures à glissières et boutonnez les couettes, etc.
- Enlevez les roulettes des rideaux ou liez-les dans un filet.
- Enlevez les barrettes, boutons, boucles et d'autres objets durs pour les empêcher de rayer l'intérieur du lave-linge.
- Enlevez les garnitures et ornements non lavables.
- Retrousssez les tricotés synthétiques pour éviter qu'ils pèlent.
- Traitez les salissures et les taches.

Pour éviter de perdre ou d'abîmer le linge, ou d'endommager le lave-linge, l'aermature articles suivants dans un filet à linge:

- Chaussettes de bébé (petits articles)
- Collants et bas
- Ceintures
- Soutien-gorge avec armature (si vous les lavez directement dans lave-linge, l'armature risque de s'enlever et d'endommager le linge)

Tri du linge

Selon sa couleur et son degré de salissure



NOTICE

Certaines pièces de linge risquent de déteindre. Ne lavez jamais le linge de couleur avec du linge blanc.

Le linge blanc risque de prendre une teinte grisâtre. Lavez toujours séparément le linge blanc et le linge de couleur.

Degrés de salissures

Salissures légères

Absence de salissures ou taches visibles mais présence possible d'odeurs de transpiration.

- Lingerie légère d'été.
- T-shirts, chemises et chemisiers portés seulement une journée.
- Linge de lit, serviettes des invités, utilisés seulement un jour.

Salissures normales

Salissures et/ou certaines taches légères visibles.

- T-shirts, chemises et chemisiers très imprégnés de transpiration et portés plusieurs jours.
- Serviettes de table, serviettes de toilette, et linge de lit utilisés pendant une semaine maximum.
- Rideaux (sans taches de nicotine) qui n'ont pas été lavés depuis 6 mois.

Salissures intensives

Salissures et/ou taches visibles.

- Serviettes de cuisine qui ont servi pendant une semaine maximum.
- Nappes textiles.
- Bavettes de nourrisson.
- Vêtements de plein air pour enfants ou maillots de football et shorts comportant des taches d'herbe et de terre.
- Vêtements de travail tels que salopettes, tabliers de boulanger ou de boucher.

Taches typiques

- Huiles de soins corporels, huiles / graisses de cuisson, sauces, huile minérale, cire (à base de graisse / d'huile).
- Thé, café, vin rouge, fruits, légumes.
- Sang, tache d'œuf, de lait, d'amidon (à base de protéines / hydrates de carbone).
- Suie, terre, sable (pigments), argile rouge.

Détachage

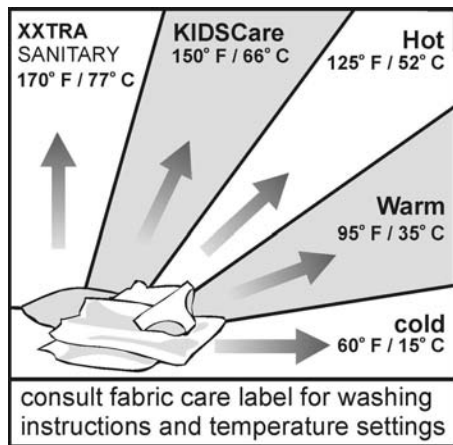
Chaque fois possible, enlevez / prétraitez les taches tant qu'elles sont fraîches.

Commencez par tamponner de l'eau savonneuse sur la tache. Ne frottez pas.

Ensuite, lavez les pièces de linge tachées à l'aide du programme approprié.

Il faudra parfois plusieurs lavages pour parvenir à supprimer les taches rebelles / qui avaient eu le temps de sécher avant le détachage.

Tri du linge en fonction des symboles d'entretien figurant sur leur étiquette d'entretien



Types de tissu

Lavage en machine, coton



Lavage en machine, linge infofroissable



Lavage en machine, linge délicat



Lavage à la main



Températures

Froid



Chaud



Très chaud



Ne lavez jamais en machine du linge arborant une étiquette d'entretien avec la mention «Do Not Wash» (Ne pas laver) ou le symbole DO NOT WASH

Chargement du linge

AVERTISSEMENT

Risque d'explosion!
Les pièces de linge prétraitées avec un produit de nettoyage, par un produit détachant ou de nettoyage à sec, chacun à base de solvant, créent un risque d'explosion une fois chargées dans le lave-linge. Commencez par conséquent par rincer soigneusement ce linge à la main.

NOTICE

Les corps étrangers présents dans le tambour du lave-linge peuvent abîmer le linge. Avant de charger le linge, vérifiez l'absence de corps étrangers dans le tambour.



- Ouvrez le hublot.



- Dépliez le linge trié puis introduisez-le sans tasser dans le tambour. Mélangez les grandes et les petites pièces de linge. Les pièces de linge de tailles différentes se répartiront mieux pendant l'essorage.

- i** Ne dépassez pas la limite maximale de chargement : une surcharge empêchera le linge de se laver correctement et favorisera le froissage.

Pour de meilleurs résultats, il est recommandé de mettre les vêtements dans le tambour selon le type de tissu.

Pleine charge

Coton et lingerie de corps

½ charge

Pressing permanent, synthétiques et tricots

⅓ de la charge

Laine, linge délicat, soie



- i** Refermez le hublot. Veillez bien à ne pas coincer de linge entre le hublot et le joint en caoutchouc. Le hublot doit se fermer facilement, sans que vous deviez forcer.

PRODUITS LESSIVIELS ET ADDITIFS DE LAVAGE DU LINGE

Verser la bonne quantité de produit

AVERTISSEMENT

POUE EVITER
Risque d'empoisonnement !
Rangez les produits lessiviels et additifs hors de portée des enfants.

La quantité de produit à verser dépend des facteurs suivants :

- La dureté de l'eau. Renseignez-vous auprès de votre compagnie locale distributrice des eaux. Une eau moins dure requiert moins de détergent.
- La quantité de linge.
- Le degré de salissure. Des informations sur les salissures figurent à la page 44 de la présente notice.
- Les spécifications publiées par le fabricant du produit lessiviel. En utilisant la bonne quantité de

produit lessiviel, vous contribuez à réduire la pollution de l'environnement et vous vous assurez des résultats de lavage optimaux.

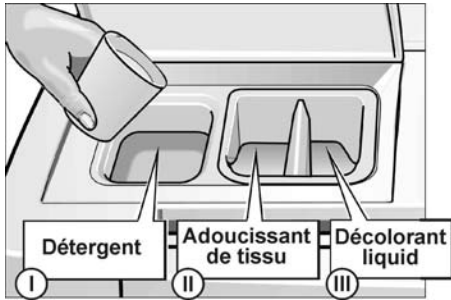
Si vous n'avez pas utilisé assez de produit lessiviel :

Linge incorrectement lavé ; il prend une teinte grise avec le temps et se raidit. Des taches gris brun (taches de graisse) peuvent apparaître sur le linge. Les résistances chauffantes risquent de s'entarter.

Si vous avez utilisé trop de produit lessiviel :

Non respectueux de l'environnement, une mousse excessive réduit l'agitation du linge.

Remplir les compartiments à produits lessiviels et/ou à additifs



- Ouvrez le couvercle du bac à produits lessiviels.
- Versez le produit lessiviel et/ou l'additif.

Compartiment I:
Produit lessiviel pour le lavage, produit détachant.

- i** Nous vous recommandons d'utiliser des détergents HE car ils sont spécialement conçus pour que vous obteniez des performances optimales avec votre lave-linge à chargement frontal. Si vous n'utilisez pas un détergent HE, des problèmes risquent de survenir, tels qu'un dégagement excessif de mousse, de plus longues séquences de cycle, ou une des performances de lavage.

Compartiment II:
Produit de nettoyage, par ex. adoucisseur liquide, produit amidonnant. Ne remplissez pas au-dessus du bord de la ligne de maximum.

- i** Ne pas utiliser un produit d'assouplissement avec des vêtements d'extérieur (à savoir les tissus enduits de caoutchouc ou imperméables à l'eau).

Compartiment III:
Compartiment à produit blanchissant liquide (produit blanchissant à base de chlore, produit blanchissant ne décolorant pas). Ne remplissez pas au-dessus du bord de la ligne de maximum !

- i** Si l'adoucisseur liquide ou le produit amidonnant est concentré ou coule épais, mélangez-le dans un peu d'eau avant de le verser (ceci empêche une obstruction de l'orifice de trop-plein).

- i** Refermez le bac à produits lessiviels. Veuillez assurer le couvercle est entièrement fermé.

Décoloration

NOTICE

Les agents décolorants peuvent contenir du soufre ou du chlore et faire que certaines pièces de l'appareil se corroderont. Par conséquent, ne teignez pas de pièces de linge dans ce lave-linge.

Programmes et fonctions

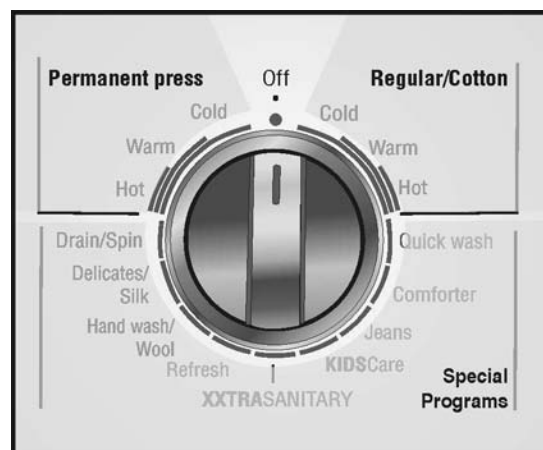
Pour le lavage optimum résulte votre rondelle offre plusieurs groupes de programme et les options supplémentaires.

Les programmes de base comprennent Regular/Cotton (Normal/Coton) et Permanent press (Perma–press). La sélection des programmes est entre autre fonction du type de tissu à laver.

Les durées de cycles de lavage varient en fonction du cycle sélectionné, de la température et de la pression d'arrivée d'eau, de la dureté de l'eau, de la taille de la lessive et du type de tissu.

Les programmes spéciaux sont individualisés en fonction des besoins de lavage ou des types de tissus spécifiques.

Des options supplémentaires peuvent être sélectionnées en appuyant sur l'un des boutons d'option du panneau de commande.



Vitesses maximales d'essorage selon les programmes

Nombre de tours/minute	Type de linge / Cycle suppl.
1200	Regular/Cotton (Couleurs/Coton)
800	Permanent Press (Synthétiques)
600	Delicates/Silk (Déliçats)
400	Hand Wash / Wool (Lavage à la main)
600	Comforter
800	Jeans
900	Quick wash
1200	XXTRASanitary (Habillemeñt bebe)
1200	KIDSCARE
1200	Refresh
1200	Drain/Spin

Dans les programmes **Regular/Cotton**, **XXTRASanitary**, **KIDSCARE** et **Refresh** l'appareil essore le linge à la vitesse d'essorage la plus élevée possible.

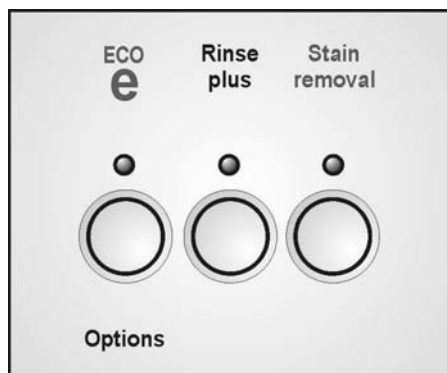
Dans les programmes **Permanent Press**, **Delicates/Silk**, **Hand Wash/Wool**, **Comforter** et **Jeans** (Synthétiques, Délicats/Laine, Lavage à la main/Laine Comforter et Jeans), le lave-linge essore à une vitesse moins élevée pour traiter le linge en douceur. Si nécessaire, vous pouvez réduire la vitesse d'essorage du linge. La vitesse minimum d'essorage s'élève à 400 tours/minute.

Arrêt cuve pleine («----»)

L'eau demeure dans la cuve après le dernier rinçage. Recommandé en cas de lavage de linge délicat.

Utilisez ce réglage pour éviter le froissage, si vous ne pouvez pas retirer le linge du tambour immédiatement après la fin du cycle.

Boutons des options



ECO e

Cette option permet de réduire la consommation d'énergie jusqu'à 20 %. Cette option n'est pas disponible pour les programmes de lavage à froid.

Rinse Plus (Rinçage Plus)

Lorsque vous appuyez sur ce bouton, la machine ajoute un cycle de rinçage au cycle sélectionné. La durée du cycle de lavage augmente en conséquence.

Stain Removal

L'option Intensif est recommandée **UNIQUEMENT** pour les vêtements très sales qui présentent des taches tenaces et incrustées, à base de protéines. Il N'est PAS recommandé d'utiliser l'option Intensif avec d'autres cycles pour laver des vêtements normalement sales ou peu sales. Lorsque vous appuyez sur ce bouton, le lave-linge se remplit seulement d'eau froide. Le cycle de lavage se déroule déjà pendant l'échauffement jusqu'à une température définie. Durée de lavage accrue en présence de charges de linge très sales.

Basic Programs (Programmes de base)

Regular/Cotton (Linge normal / Coton)

For Cottons and coloreds made of cotton or linen.

Hot (Trés Chaud)	Articles robustes, résistants à l'usure, confectionnés en coton ou en lin, dont les vêtements de travail et la lingerie de corps..	Tissus grand teint normalement et/ou fortement tachés.
Warm (Chaud)	Articles robustes, résistants à l'usure, en coton ou en lin comme les jeans, les t-shirts et les polos.	Tissus pouvant déteindre, légèrement et/ou normalement sales.
Cold (Froid)	Articles robustes, résistants à l'usure, en coton ou en lin (dont les teintures peuvent migrer ou s'estomper).	Tissus pouvant déteindre, légèrement sales.

Permanent press

Easy-care (drip-dry) laundry made of synthetic and blended fabric (e.g. , cotton/polyester).

Hot (Trés Chaud)	Vêtements requérant une séquence spéciale de lavage avec agitation et une vitesse d'essorage spéciale pour minimiser le froissage.	Articles grand teint en coton normalement sales, lin infroissable, tissu synthétique ou tissu mixte, et vêtements de dessus.
Warm (Chaud)	Vêtements requérant une séquence spéciale de lavage avec agitation et une vitesse d'essorage spéciale pour minimiser le froissage, tels que les chemisiers, chemises et tabliers.	Articles en coton pouvant déteindre, légèrement et/ou normalement sales, infroissables, en lin, en tissu synthétique ou tissu mixte, et vêtements de dessus.
Cold (Froid)	Vêtements requérant une séquence spéciale de lavage avec agitation et une vitesse d'essorage spéciale pour minimiser le froissage.	Articles en coton pouvant déteindre, légèrement et/ou normalement sales, infroissables, en lin, en tissu synthétique ou tissu mixte, et vêtements de dessus.

Special Programs (Programmes spéciaux)

Drain/Spin	L'eau est vidangée puis une rotation du tambour à vitesse élevée s'ensuit.	
Delicates/Silk	Les réglages Délicats sont destinés aux pièces de linge délicates mais facile à entretenir, en coton, satin, synthétiques ou en textile mélangé, et aux voilages, prêt-à-porter, jupes et chemisiers.	
Hand wash / Wool	Les réglages Lavage à la main servent à laver les pièces de linge très délicates mais faciles à entretenir, qu'il faut habituellement laver à la main. Ces cycles de lavage ont été spécialement conçus pour traiter les textiles très en douceur. Ce cycle permet de laver sans risques tous les lainages, articles en soie ou divers comportant le symbole u de lavage à la main «Hand wash» sur l'étiquette d'entretien.	
Refresh (Rafraîchir)	Programmer pour rincer les textiles propres, par exemple la tenue de bain, et pour enlever le résidu détergent des textiles. Les fins avec un cycle de rotation.	
XXTRASANITARY™	Ce programme a été spécialement conçu pour supprimer les bactéries domestiques les plus courantes tout en ménageant les textiles. Cette option s'utilise avec le linge grand teint très sale et/ou taché qui n'a pas besoin d'être aseptisé tel que les serviettes, la lingerie de corps, les chaussettes, les draps, les nappes et serviettes de table, etc.	
KIDSCARE™	Régulier/les cadres de Coton sont l'intention eus être utilisés pour a sali lourdement et/ou les tissus grand teint tachés. Fort, les articles de fort—portant faits de coton ou le linge comme les serviettes, les feuilles ou les chaussettes de sports blanches. Ne lavez pas le linge multicolore avec d'autres pièces de linge.	
Jeans	Spécialement conçu pour le jeans et les jeans lourds, ce programme réduit palîr et rider.	
Comforter	Programme spécialement conçu pour les articles de taille importante ou volumineux. La machine utilise davantage d'eau pour parfaire le mouillage du linge et des mouvements de rotation moins vigoureux pour réduire l'étirement du linge.	
Quick wash	Ce programme est conçu pour les lessives de toutes les tailles, en particulier pour les lessives de taille moyenne à élevée qui ne sont pas très sales. Utile pour la plupart des types de tissus, à l'exception des tissus délicats ou plus légers.	

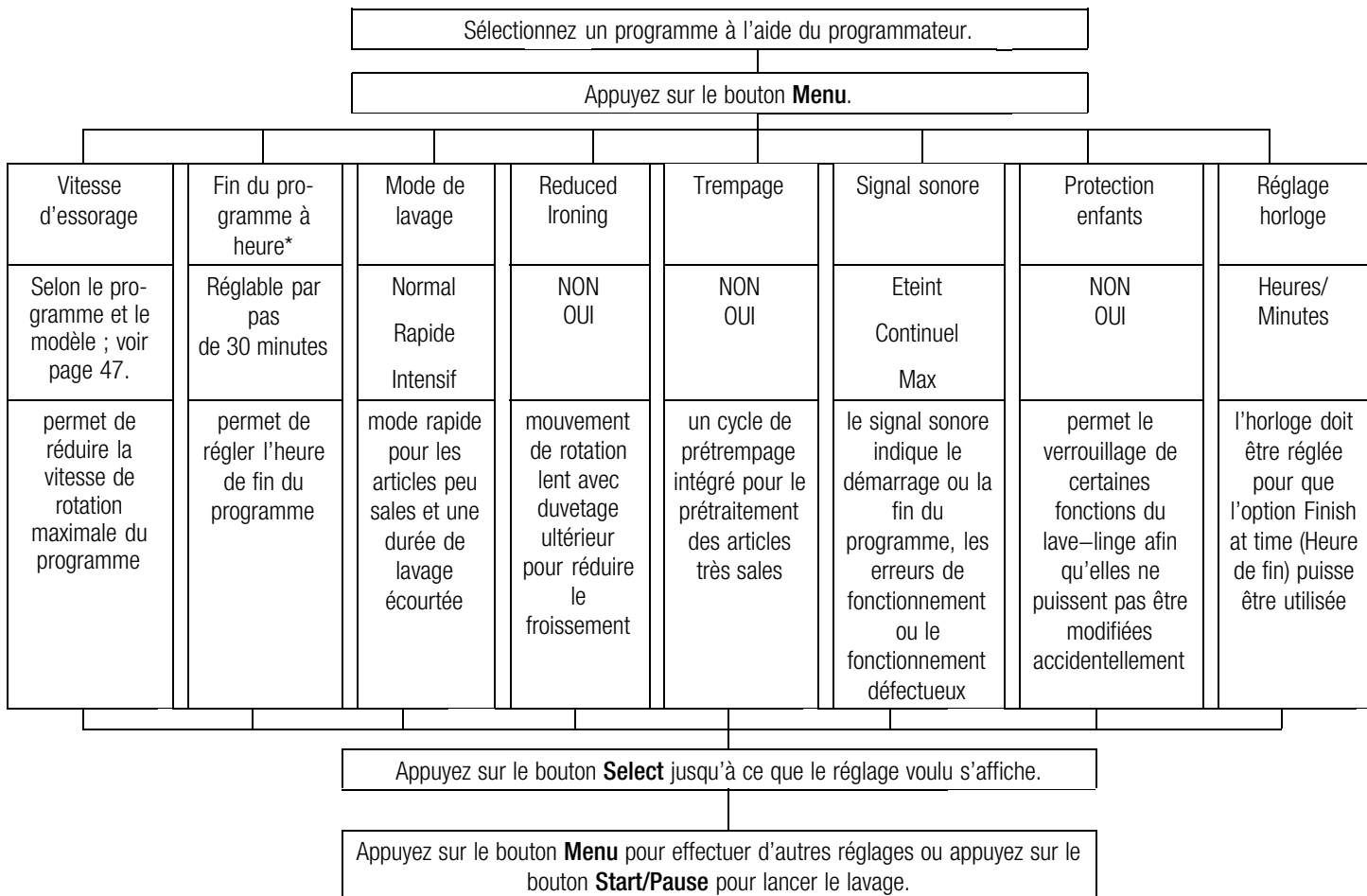
Lavage avec des réglages personnalisés

Vous pouvez personnaliser les réglages en fonction de vos besoins.

Vous trouverez ci-dessous un récapitulatif des réglables ajustables sur vos besoins.

Aux pages suivantes, nous décrivons en détail les étapes de modification des réglages.

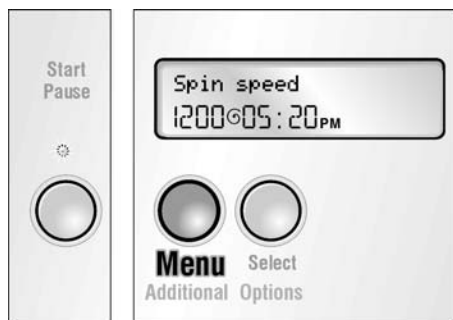
Récapitulatif rapide



* Disponible uniquement si l'horloge est réglée (voir page 43)

Changer A Affiché des Cadres

i Avant de régler des options supplémentaires, choisir un programme avec le sélectionneur de programme !



Choisir des cadres en appuyant le bouton de **Menu** et les change en appuyant le bouton **Select**.

Choisir l'option être changée avec le « » le **Menu** » le bouton. Appuyer le bouton pour transférer à l'option prochaine sur l'exposition. Le symbole actif commence clignoter.







Les cadres d'option actifs actuels sont affichés éloignent.

Ces cadres peuvent être maintenant changés avec le bouton « Privilégié ».

Appuyer le bouton pour sauter au cadre possible prochain.

i Appuyer le « le bouton de **Menu**, épargne encore les cadres précédents. Si vous n'appuyez pas de bouton pour de 10 seconde les cadres sont automatiquement épargnés.

Display Symbols

Symbol	Function	Settings
	Washing Mode (lavage)	lavage normal
		lavage rapide
	Stain Removal (lavage intensif)	On/Off
	Pre-Soak (trempage)	On/Off
	Signal	Off, Continuous, Max
	Child lock (protection enfants)	On/Off

Fonctions spéciales

Adaptation automatique à la charge (Auto Load Adjust)

Cette fonction ajuste automatiquement la consommation d'eau et d'électricité dans chaque programme, elle détermine la quantité de linge et le type de textile.

Cette fonction a été intégrée dans la machine et s'exécute automatiquement.

Elle permet de réduire la consommation d'eau et d'électricité pendant le lavage de petites charges de linge.

Un capteur de débit mesure le débit de l'eau et dose le volume exact d'eau requis par la charge de linge introduite. Ce capteur veille à ce que le niveau d'eau soit correct pour laver votre linge, que ce soit dans nos programmes économiques «Regular/Cotton» («Couleurs / Coton») et «Permanent Press» («Synthétique») ou dans les cycles «Délicates» («Déliçats»), «Hand Wash» («Lavage à la main»), «Wool» («Laine»), «AquaGuard» et «XXTRASanitary» («Habillement bébé»).

Détection des charges de linge mal réparties

Le système automatique de détection des charges mal réparties soumet le linge à plusieurs séquences d'essorage pour mieux le répartir dans le tambour. Si le linge s'est mal réparti dans le tambour, la machine ne l'essore pas (pour des raisons de sécurité).

Dans le programme Laine, la machine ne tente de lancer le programme d'essorage que deux fois, ceci pour prévenir tout risque de rétrécissement du linge.

Durée affichée

En raison de ces fonctions et d'autres pilotées par la commande, la durée réelle d'un cycle peut varier.

Une fois que vous avez sélectionné un programme, la durée prévisionnelle du cycle s'affiche.

Les critères suivants auront un impact sur la durée affichée :

- La charge de linge
- Les tentatives répétées, effectuées par la machine, pour répartir uniformément la charge
- Les cycles de rinçage additionnels en cas de dégagement excessif de mousse
- Pression de l'eau trop basse
- Si vous avez choisi des options comme par ex. «Rinse plus» («Rinçage Plus»)

i Vous vous rendez peut-être compte des effets de ces critères du fait que la durée affichée augmente ou diminue pendant le déroulement d'un cycle. Si vous n'avez pas choisi d'option et que ces effets ne se manifestent pas, l'heure indiquée sera bien celle à laquelle le cycle prend fin.

Protection enfants

Vous pouvez protéger votre lave-linge pour empêcher une modification par inadvertance des fonctions sélectionnées.

Si vous avez sélectionné la protection enfants:

- Impossible de changer quoi que soit pendant le déroulement d'un programme.
- Le hublot reste verrouillé en fin de programme.

Mise en pause du programme pour Ajouter/Enlever du linge

- Appuyez sur le bouton **Start/Pause** et maintenez-le appuyé pendant 5 secondes. Cette action réactive la protection enfants et le programme s'interrompt.


i Vous pouvez stopper un programme en cours, sécurisé par la protection enfants, en ramenant le programmeur sur «Off»! Lorsque vous réenclenchez le programme interrompu, celui-ci se poursuit.

Déchargement de linge à la fin d'un cycle sécurisé par «Protect-enfants: oui»

- Appuyez sur le bouton **Start/Pause** et maintenez-le appuyé pendant 5 secondes. Vous pouvez ouvrir le hublot et retirer du linge. Les réglages de la protection enfants demeurent actifs même si vous éteignez le lave-linge.

i La fois suivante que vous allumez le lave-linge, la protection enfants se réactive. Le hublot reste verrouillé et impossible de sélectionner des changements. Appuyez sur le bouton Start/Pause pendant 5 secondes pour ouvrir le hublot.

Désactiver la protection enfants

- Tournez le programmeur pour mettre l'appareil sous tension.
- Appuyez sur le bouton **Menu** jusqu'à ce que la mention «Protect-enfants: oui» s'affiche. Le symbole «» clignote.
- Appuyez sur le bouton **Select** jusqu'à ce que la mention «Protect-enfants: non» s'affiche.

i Vous pouvez activer et désactiver la protection enfants uniquement avant de lancer un programme ou uniquement en mode «Pause».

Pendant le lavage

i Vu la haute technicité de la suspension équipant la machine, elle peut se mettre à frémir ou trembler lors du passage d'une vitesse d'essorage basse à une vitesse élevée. Ce comportement est normal, il est dû à un décalage du tambour et n'a pas lieu de vous préoccuper.

Nouvelle sélection d'un programme

- Si la protection enfants est active, désactivez-la temporairement ; voir page 50.
- Ramenez le programmeur sur **Off**.
- Réglez le programmeur sur un nouveau programme.
Le voyant du bouton **Start/Pause** clignote.
- Si la protection enfants est active, désactivez-la à nouveau temporairement.
- Si nécessaire, modifiez les réglages; voir page 50.
- Appuyez sur le bouton **Start/Pause**.
Le programme démarre.
Le voyant du bouton reste allumé en permanence.

Rajout de linge / Interruption du programme

Vous pouvez rajouter du linge ultérieurement dans le tambour, en retirer ou interrompre l'exécution d'un programme à tout moment.

- Nous déconseillons de rajouter du linge une fois terminée la phase de lavage.

Sans la protection enfants

- Vous pouvez rajouter ou retirer du linge tant que le voyant du bouton **Start/Pause** clignote en rouge.
- Appuyez sur le bouton **Start/Pause**.
Les mentions suivantes s'affichent successivement:
«Pause»,
«Rajout linge possible».
- Ouvrez le hublot.
- Ajoutez / Enlevez du linge.
- Refermez le hublot.
- Appuyez sur le bouton **Start/Pause**.
Le programme se poursuit.
Le voyant du bouton reste allumé en rouge sans clignoter.
- Une fois que le voyant **Start/Pause** est allumé en rouge, vous pouvez interrompre le programme. Toutefois, impossible d'ouvrir le hublot pour des raisons de sécurité (niveau d'eau, température ou vitesse du tambour trop élevés).

Les mentions suivantes s'affichent successivement:

«Pause»,
«Rajout linge imposs.».

- Si la vitesse est trop élevée, le voyant **Start/Pause** est allumé en rouge. Vous pouvez rajouter du linge en mode «Pause», pendant que le tambour ne tourne pas.

Protection enfants activée

- Référez-vous à la section de la Cerradura del Niño, (véase en la página 50).

Annulation d'un programme en cours

Si vous voulez arrêter un programme et retirer le linge :

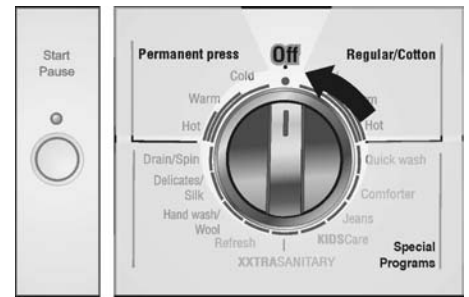
- appuyez sur le bouton **Start/Pause**
- Si la protection enfants est active : appuyez sur le bouton **Start/Pause** et maintenez-le appuyé pendant 5 secondes.
- Si la lessive est trop mouillée, tournez le sélecteur de programme sur **Drain/Spin (Vidange/Essorage)**.
- Si vous avez annulé un programme à un stade où le linge est très chaud, il se peut que la porte du hublot reste verrouillée jusqu'à ce que l'appareil ait refroidi.
- Si vous avez arrêté le programme en éteignant carrément l'appareil, il se peut que la porte du hublot reste verrouillée.

Après le lavage

Le voyant du bouton **Start/Pause** s'éteint.
Mention affichée : «Enlever le linge».



- Ouvrez le hublot.



- Ramenez le programmeur sur **Off**.



- Fermez les robinets d'eau.



- Retirez le linge.

NOTICE

Vérifiez à l'occasion la présence de corps étrangers (par ex. pièces de monnaie, trombones, etc.) entre le tambour et le joint en caoutchouc – **Pour éviter le risque de rouille!**

- Laissez le hublot ouvert pour que l'intérieur de la machine puisse sécher.

Instructions de maintenance par l'utilisateur

PRUDENCE

La trappe d'accès située en bas à droite du lave-linge est réservée au personnel d'entretien. Elle ne doit être ouverte que par un technicien d'entretien agréé ou qualifié. (Le panneau de commande risque d'être dissimulé à cause de l'ouverture du hublot).



Nettoyage et entretien

AVERTISSEMENT

RISQUE DE CHOC ELECTRIQUE !
Avant de nettoyer l'appareil, débranchez toujours sa fiche mâle de la prise de courant.
Ne nettoyez jamais l'appareil avec un nettoyeur sous pression.

AVERTISSEMENT

RISQUE D'EXPLOSION !
N'utilisez jamais de solvants inflammables pour nettoyer le lave-linge.

Nettoyage du corps de l'appareil et du bandeau de commande

Si nécessaire :

- Utilisez de l'eau savonneuses chaude ou un détergent doux et non abrasif.
- Essuyez et séchez avec un chiffon doux.

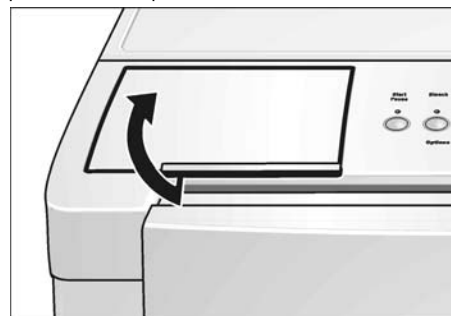
Nettoyage du tambour

Dans le cas où des taches de rouille seraient apparues en raison de corps étrangers restés dans l'appareil (par ex. pièces de monnaie, trombones, aiguilles, clous) :

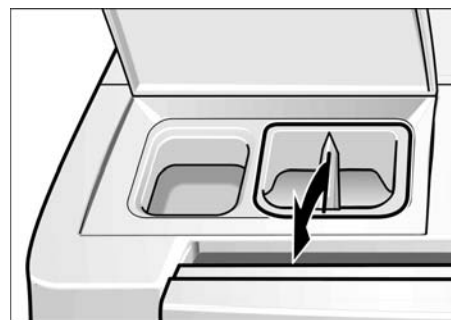
- Utilisez un produit de nettoyage sans chlore. Respectez les instructions publiées par son fabricant. N'utilisez jamais de tampons en laine d'acier.

Nettoyage du bac à produits lessiviels

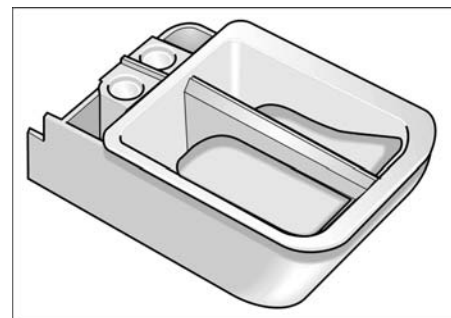
Si des résidus de produit lessiviel ou des additifs se sont accumulés dans le bac, ou si encore de l'adoucisseur liquide / le produit blanchissant n'ont pas été complètement rincés :



- Ouvrez le couvercle du bac jusqu'à la butée finale.



- Tirez vers le haut le compartiment à adoucisseur liquide / produit blanchissant puis retirez-le.
- Nettoyez le compartiment à produits lessiviels sous l'eau du robinet.



- Réinsérez le bac à produits lessiviels jusqu'à ce qu'il enclante.

Nettoyage des cribles d'arrivée d'eau

Cette opération s'impose lorsque pas ou très peu d'eau afflue dans le lave-linge.

Commencez par supprimer la pression régnant dans les tuyaux flexibles d'arrivée d'eau :

- Refermez les robinets d'eau.
- Amenez le programmeur sur un programme quelconque (sauf **Spin** (Essorage) ou **Drain** (Vidange)).
- Appuyez sur le bouton **Start/Pause** et attendez que la mention «Robinet d'eau fermé ?» s'affiche.
- Ramenez le programmeur sur **Off**.

Nettoyage du/des crible(s) équipant le robinet d'eau

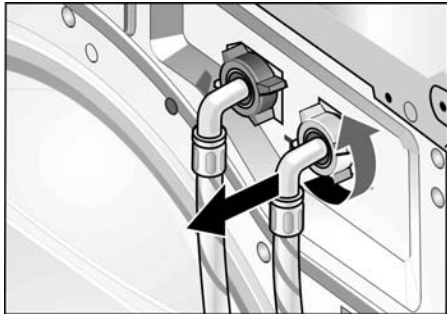
Opérations à réaliser sur les raccords d'eau chaude et d'eau froide :



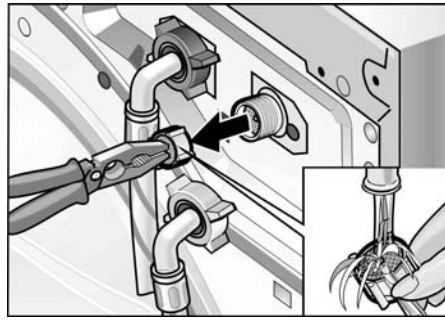
- ❑ Débranchez le tuyau flexible du robinet.
- ❑ Rincez le crible sous l'eau du robinet.
- ❑ Rebranchez le tuyau flexible.

Nettoyage des cribles équipant le lave-linge

Opérations à réaliser sur les raccords d'eau chaude et d'eau froide :



- ❑ Débranchez le tuyau flexible situé au dos du lave-linge.



- ❑ Extrayez le crible puis rincez-le sous l'eau du robinet.
- ❑ Insérez le crible puis rebranchez le tuyau.
- ❑ Rouvrez les robinets d'eau et vérifiez que l'eau ne fuit pas au niveau des raccords. Si elle fuit, vérifiez si vous avez correctement remis le crible en place.
- ❑ Refermez les robinets d'eau.

Conseils de nettoyage

Nous vous recommandons de faire circuler dans le lave-linge une petite quantité de javel à usage ménager tous les trois mois.

Faites marcher le lave-linge de la façon suivante, sans mettre de linge :

- ❑ Versez une tasse de javel dans le compartiment pour détergent du bac à produit lessiviel.
- ❑ Exécutez le programme couleurs/coton chaud.

Détartrage du lave-linge

NOTICE

Les produits de détartrage contiennent des acides susceptibles d'attaquer certaines pièces du lave-linge et de décolorer le linge.

A condition d'utiliser le type correct de produit lessiviel, vous n'aurez pas besoin de détartrer le lave-linge.

Si des taches blanches, de calcaire ou minérales apparaissent à l'intérieur du tambour du lave-linge, vous pourrez utiliser un produit détartrant pour les enlever.

Si toutefois un détartrage s'impose, veuillez suivre les instructions publiées par le fabricant du produit de détartrage.

Remédier soi-même aux petites pannes

AVERTISSEMENT

RISQUE DE CHOC ELECTRIQUE !
Les réparations ne pourront être réalisées que par un technicien agréé.

Si des réparations s'imposent ou si, malgré le tableau ci-dessous, vous ne parvenez pas à supprimer le défaut par vous-même :

- Ramenez le programmeur sur **Off**.
- Débranchez le lave-linge de la prise de courant.
- Refermez les robinets d'eau.
- Appelez le service après-vente (reportez-vous à la page 57).

Dérangement	Cause possible	Remède
Impossible d'ouvrir le hublot.	Protection enfants activée. Coupure de courant.	Désactivez la protection enfants, voir page 50 Le programme interrompu reprendra une fois le courant revenu. Si vous voulez enlever le linge pendant la coupure de courant, appelez le SAV (voir page 57).
	Programme en cours et/ou hublot verrouillé pour des raisons de sécurité.	Attendez la fin du programme ; voir page 51.
	Fiche mâle incorrectement ou pas branchée.	Supprimez-en la cause.
	Programmeur ramené sur Off avant la fin du programme.	Sélectionnez un programme.
Impossible d'ouvrir le hublot, même en éteignant puis rallumant l'appareil.	Protection enfants activée.	Désactivez la protection enfants, voir page 50
Impossible d'ouvrir le hublot, même en éteignant puis rallumant l'appareil.	Pour des raisons de sécurité, l'appareil a verrouillé le hublot parce que le niveau d'eau, la température ou la vitesse du tambour est trop élevée.	Voir «Ajouter du linge/Interruption du programme», page 51.
Le programme continue bien que vous ayez éteint puis rallumé l'appareil.	Protection enfants activée.	Désactivez la protection enfants, voir page 50
L'appareil ne peut pas fonctionner. Présence de la mention «Protec-enfants: oui» sur l'écran.	Protection enfants activée.	Désactivez la protection enfants, voir page 50
Les voyants de commande ne s'allument pas.	Un fusible est grillé. Coupure de courant.	Remplacez le fusible protégeant le circuit électrique qui alimente l'appareil. Appelez le service après-vente si le défaut persiste. Le programme interrompu reprendra une fois le courant revenu. Si vous voulez enlever le linge pendant la coupure de courant, appelez le SAV (voir page 57).
Le programme ne démarre pas, le voyant de Start/Pause clignote.	Vous n'avez pas appuyé sur le bouton Start/Pause.	Appuyez sur le bouton Start/Pause .
Le programme ne démarre pas.	Vous n'avez pas fermé le hublot correctement.	Vérifiez si du linge est coincé entre le hublot et le joint.
La mention «Hublot ouvert?» s'affiche sur l'écran.		Fermez le hublot (un «clic» doit se faire entendre). Le programme poursuit.
Le programme ne démarre pas. La mention «Départ différé» s'affiche sur l'écran.	Vous avez sélectionné l'heure de fin et l'avez activée.	Aucune. L'appareil démarre automatiquement.

Impossible de régler l'horloge.	Le programme a déjà démarré ; une fois qu'un programme a démarré, impossible de régler l'horloge.	Attendez que le programme se termine.
La mention «Régler l'heure» reste sur l'écran bien que vous ayez appuyé sur le bouton Menu .	Le réglage est passé des heures aux minutes ; ces deux étapes de sélection comportent le même texte.	Aucune.
Aucune heure affichée.	Heure pas réglée.	Réglez l'heure ; voir page 43.
Impossible de régler l'heure de fin.	Heure pas réglée. Le programme a déjà démarré ; une fois qu'un programme a démarré, impossible de sélectionner l'heure de fin.	Réglez l'heure ; voir page 43. Avant de faire démarrer le programme, sélectionnez et lancez l'heure de fin voulue ; voir page 49.
Impossible de choisir la vitesse d'essorage.	Essorage déjà en cours ; pendant un cycle d'essorage, impossible de changer la vitesse.	Sélectionnez la vitesse d'essorage avant d'essorer.
Impossible de sélectionner la protection enfants.	Le programme a déjà démarré.	Vous pouvez sélectionner la protection enfants en mode Pause.
Résidus de produit lessiviel dans le bac.	Le produit lessiviel était humide ou grumeleux.	Nettoyez et séchez le bac à produits lessiviels ; voir page 52. Servez-vous du capuchon de la bouteille de produit lessiviel pour doser ce dernier.
L'eau ne pénètre pas dans la machine ou la lessive n'est pas dissoute. « Vérifiez le robinet d'eau ! » est affiché dans la zone d'affichage.	Robinet d'eau pas ouvert. Tuyau flexible d'alimentation plié ou coincé. Cribles de filtrage obstrués dans le tuyau flexible d'alimentation. La fonction de sécurité du tuyau AQUASTOP® es activée. AQUASTOP® est déclenché Pression de l'eau trop faible.	Ouvrez le robinet d'eau. Le programme poursuit. Supprimez-en la cause. Nettoyez les cribles d'arrivée d'eau, voir page 53. Vérifiez l'indicateur de sécurité (voir page 39). S'il est rouge, remplacez le tuyau. Fermez le robinet d'eau et cherchez la fuite. Supprimez-en la cause.
Eau invisible dans le tambour.	Ce n'est pas un défaut. Le niveau d'eau se situe en-dessous de la partie visible du tambour.	
La solution de lavage n'a pas été vidangée complètement. La mention «Mousse trop ou pompe bouché ?» s'affiche sur l'écran.	Mousse trop ou pompe bouché	Lors de vos prochaines lessives, utilisez moins de détergent. Les détergents spécialement conçus pour votre lave-linge ultra-performant produisent moins de mousse ; les lettres "HE" figurent sur l'emballage. Nettoyez le conduit de vidange d'eau et/ou le flexible de vidange d'eau.
De l'eau coule sous la machine.	Le filetage du raccord équipant le tuyau flexible d'alimentation n'est pas suffisamment serré. Fuite dans le tuyau flexible de vidange.	Resserrez le filetage du raccord. Remplacez le tuyau flexible de vidange.
Mousse sortant par le bac à produits lessiviels.	Comme vous avez utilisé trop de lessive ou bien de la lessive non homologuée HE, la pompe n'a pas pu enlever la mousse.	Versez 1 cuillerée à soupe d'adoucissant liquide dans 1 pinte (0,5 litre) d'eau puis versez ce mélange dans le compartiment I du bac. Lors de vos prochaines lessives, utilisez moins de détergent. Les détergents spécialement conçus pour votre lave-linge ultra-performant produisent moins de mousse ; les lettres "HE" figurent sur l'emballage.
Essorages répétitifs.	Ce n'est pas un défaut. Le système d'équilibrage de la charge de linge tente de mieux répartir le linge dans le tambour et lance dans ce but plusieurs séquences d'essorage.	Chargez toujours le tambour en mélangeant les grandes et petites pièces de linge.
Le linge n'a pas été essoré. (La lessive est calme se mouille).	De grandes pièces de linge se sont embrouillées et la machine n'est pas parvenue à les répartir uniformément dans le tambour. Pour des raisons de sécurité, elle a automatiquement supprimé le cycle d'essorage automatique. Charger la taille trop petite Trop de détergent.	Chargez toujours le tambour en mélangeant les grandes et petites pièces de linge. Ajouter plus de lessive. Ajouter l'adoucissant de tissu et commencer à rafraîchir le cycle.

Allongement de la durée du programme.	Ce n'est pas un défaut. La fonction détectrice de mousse a ajouté un cycle de rinçage supplémentaire pour réduire la quantité de mousse.	La fois suivante, versez une quantité adéquate de produit lessiviel.
	Ce n'est pas un défaut. Le système d'équilibrage de la charge de linge tente de mieux répartir le linge dans le tambour et lance dans ce but plusieurs séquences d'essorage.	Chargez toujours le tambour en mélangeant les grandes et petites pièces de linge.
Résultat de lavage insatisfaisant.	Le linge était plus sale que vous ne le pensiez.	Sélectionnez le programme de lavage adapté ou Stain removal (Élimination des taches) comme option supplémentaire.
	Pas assez de produit lessiviel.	Ajoutez du produit lessiviel en respectant les spécifications du fabricant. Brossez ces taches une fois le linge sec.
Présence de résidus de produit lessiviel sur le linge.	Certains produits lessiviels sans phosphate contiennent des résidus insolubles dans l'eau qui se manifestent sous forme de taches claires sur le linge.	
Résidus gris sur le linge.	Accumulation de salissures dues à des pommades, matières grasses ou huiles.	Versez la quantité maximale de produit lessiviel puis sélectionnez la plus haute température admise par ce linge.
La machine frémit ou tremble lorsqu'elle passe d'une vitesse d'essorage basse à une vitesse élevée	La suspension du tambour peut se décaler pendant l'accélération. Il ne s'agit pas d'un défaut.	Pour minimiser cet effet, mélangez les petites et grandes pièces de linge dans une charge de linge.

Affichage des dérangements

Texte affiché sur l'écran	Cause possible	Remède
«Robinet d'eau fermé ?»	Robinet d'eau pas ouvert.	Ouvrez le robinet d'eau. Le programme poursuit.
	Flexible d'alimentation plié ou écrasé.	Supprimez-en la cause.
	Crible obstrué dans le flexible d'alimentation.	Nettoyez les cribles d'arrivée d'eau, voir page 52.
	Pression de l'eau trop faible.	Supprimez-en la cause.
	La fonction de sécurité du tuyau AQUASTOP® est activée.	Vérifiez l'indicateur de sécurité (voir page 39). S'il est rouge, remplacez le tuyau.
«Mousse trop ou pompe bouché?»	Mousse trop ou pompe bouché	Lors de vos prochaines lessives, utilisez moins de détergent. Les détergents spécialement conçus pour votre lave-linge ultra-performant produisent moins de mousse; les lettres "HE" figurent sur l'emballage. Nettoyez le conduit de vidange d'eau et/ou le flexible de vidange d'eau.
«Hublot ouvert!»	Vous n'avez pas fermé le hublot correctement.	Vérifiez si du linge est coincé entre le hublot et le joint. Refermez le hublot.
AQUASTOP® Activated (Activé)	AQUASTOP® est déclenché	Fermez le robinet d'eau et cherchez la fuite.
Le processus de lavage est arrêté. « Aquastop activated » (Aquastop activé) est affiché dans la zone d'affichage.	AQUASTOP® est déclenché	Localisez et réparez la fuite. Vérifiez toutes les connexions. Réinitialisez AQUASTOP® .

Si vous ne parvenez pas à supprimer le défaut malgré les conseils figurant dans le tableau ci-dessus, attendez 5 secondes, éteignez l'appareil, rallumez-le, sélectionnez le programme et faites-le redémarrer.

Si le défaut persiste, appelez le service après-vente ; voir page 57.

Service Après-Vente (SAV)

Ce lave-linge ne demande aucun entretien particulier autre que les opérations de nettoyage et entretien précédemment mentionnées. Si votre lave-linge vous cause des problèmes, reportez-vous au contenu de la page 54 avant d'appeler le SAV.

Si des opérations de SAV s'avèrent nécessaires, veuillez contacter votre installateur ou un point de SAV agréé. Ne tentez pas de réparer l'appareil par vos propres moyens. Toute réparation accomplie par des personnes non autorisées risque de vous faire perdre le bénéfice de la garantie.

Si le lave-linge vous cause un problème quelconque, et si les prestations reçues ne vous ont pas satisfait :

- Commencez s.v.p. par contacter votre installateur ou l'entreprise de SAV agréée située dans votre région, et expliquez-lui les raisons de votre mécontentement. Ceci suffira normalement à résoudre le problème.
- Si le problème persiste après avoir collaboré avec votre installateur ou avec le technicien du SAV, faites-le nous savoir, soit en nous écrivant à l'adresse suivante:

BSH Home Appliances
5551 Mc Fadden Ave.
Huntington Beach, LA 92649,
USA

soit en nous appelant au numéro suivant :
1-800-944-2904

Si vous nous écrivez, n'oubliez pas de joindre / Si vous nous appelez, n'oubliez pas de préparer, les informations suivantes :

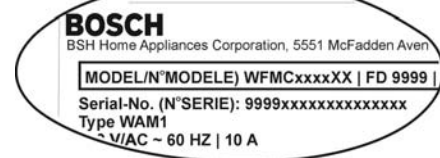
- Le numéro du modèle
- Le numéro de série
- La date d'achat d'origine
- La date d'apparition du problème
- Une description du problème

Si vous nous écrivez, veuillez joindre une copie de la facture et nous indiquer un numéro de téléphone où nous pouvons vous joindre dans la journée.

Vous trouverez le numéro du modèle et le numéro de série sur la plaque signalétique. Cette plaque se trouve sur la partie du capot du lave-linge visible une fois le hublot ouvert.

L'image ci-dessous illustre l'emplacement approximatif de la plaque signalétique. Le numéro de modèle est entouré d'un rectangle. Le numéro de série est situé sous le numéro de modèle.

An example is shown below.



Le fabricant se réserve le droit d'effectuer des modifications au produit ou au manuel sans avis préalable.

ÉNONCÉ DE GARANTIE DE PRODUIT LIMITÉE

Lave-linge Bosch Nexxt®

Couverture de la garantie et application : La garantie limitée fournie par BSH Home Appliances Corporation (Bosch) dans cet énoncé de garantie de produit limitée s'applique seulement au lave-linge Bosch Nexxt® (le « Produit ») vendu au premier acheteur utilisateur, mais à la stricte condition que le Produit ait été acheté : (1) pour un usage domestique normal (non commercial) et qu'il ait effectivement, en tout temps, été utilisé uniquement à des fins domestiques normales (tout usage commercial ou dans un environnement commercial de ce Produit annule automatiquement la garantie) ; (2) neuf au détail (non comme modèle exposé, « tel quel » ou préalablement retourné), acheté directement par le consommateur final, et non pour la revente ou l'utilisation commerciale ; et (3) aux États-Unis ou au Canada, et qu'il soit en tout temps demeuré dans le pays de l'achat d'origine. Les garanties énoncées aux présentes s'appliquent seulement au premier acheteur du Produit et ne sont pas cessibles. La garantie est automatiquement annulée si le Produit était un modèle exposé, s'il a été vendu « tel quel », trafiqué, s'il est abîmé ou s'il a été « vendu légèrement endommagé », ou si c'est un modèle qui a été préalablement retourné, octroyé gratuitement, un don de bienfaisance ou un prix de concours.

- S'assurer de retourner la carte d'enregistrement : Quoique non nécessaire pour que la couverture de la garantie prenne effet, elle constitue le meilleur moyen pour Bosch de vous prévenir dans l'éventualité improbable d'un avis de sécurité ou d'un retrait de produit.

Durée de la garantie Bosch garantit que le Produit est exempt de défaut de matière ou de fabrication pendant une période de trois-cent-soixante-cinq jours (365) jours à compter de la date d'achat. Cette période commence à courir à partir de la date

Réparation ou remplacement du produit comme recours exclusif : Pendant cette période de garantie, Bosch ou l'un de ses prestataires de services agréés réparera le Produit sans frais de votre part (sous réserve de certaines limitations énoncées aux présentes) s'il s'avère que la fabrication du Produit présente un défaut de matière ou de fabrication. Si des tentatives raisonnables de réparation du Produit ont été faites sans succès, alors Bosch remplacera le Produit (des modèles mis à niveau peuvent être mis à votre disposition), à la seule discrétion de Bosch, moyennant des frais supplémentaires). Tout composant ou pièce enlevés deviennent la propriété de Bosch, à sa seule option. Toute pièce remplacée et/ou réparée doit assumer l'identité de la pièce d'origine aux fins de la présente garantie, et cette dernière ne sera pas prolongée au regard de ces pièces. La seule obligation et responsabilité de Bosch en vertu des présentes est de réparer seulement le Produit présentant un défaut de fabrication, par l'entremise d'un prestataire de services agréé Bosch aux heures normales de travail. Pour des questions de sécurité et de dommages à la propriété, Bosch recommande vivement de ne pas tenter de réparer soi-même le Produit, ni d'utiliser un service de réparation non autorisé. Bosch décline toute responsabilité ou obligation pour les réparations ou le travail effectués par un service de réparation non autorisé. Si vous choisissez de faire réparer le Produit par une personne autre qu'un prestataire de services agréé, CETTE GARANTIE DEVIENDRA AUTOMATIQUÉMENT NULLE ET NON AVENUE. Les prestataires de services agréés sont des personnes ou des compagnies qui ont été spécialement formées pour les produits Bosch et qui possèdent, de l'avis de Bosch, une excellente réputation pour le service à la clientèle et des aptitudes techniques (il est à noter qu'il s'agit d'entités indépendantes et *non* des agents, partenaires, affiliés ou représentants de Bosch). Nonobstant les dispositions précédentes, Bosch n'assumera aucune responsabilité ou obligation à l'égard du Produit s'il est situé dans une région éloignée (plus de 100 miles (160 km) d'un prestataire de services agréé) ou s'il est raisonnablement inaccessible ou à un endroit, dans une zone ou dans un environnement dangereux, menaçants ou hasardeux ; dans un tel cas, si vous en faites la demande, Bosch pourrait payer les frais de main-d'œuvre et de pièce et expédier les pièces au prestataire de service agréé le plus proche, mais vous seriez quand même entièrement responsable pour tout déplacement ou autres frais spéciaux requis par le service de réparation, à supposer qu'il accepte d'effectuer une visite de réparation.

Garantie limitée prolongée :

DURÉE DE LA GARANTIE	PORTÉE DE LA GARANTIE
Garantie limitée de 2 ans À compter de la date d'achat	Bosch fournira gratuitement les pièces de rechange de tout élément constituant s'avérant défectueux dans des conditions normales d'utilisation domestique pendant les deux premières années courantes à compter de la date d'achat, frais d'expédition normaux (non accélérés) inclus, frais de main-d'œuvre exclus.
Garantie limitée de 2 ans sur les composants électroniques À compter de la date d'achat	Bosch réparera ou remplacera gratuitement tout microprocesseur ou carte à circuits imprimés s'avérant défectueux dans des conditions normales d'utilisation domestique pendant les deux premières années courantes à compter de la date d'achat, frais de main-d'œuvre exclus.
Garantie limitée de 2 ans sur le moteur À compter de la date d'achat	Bosch réparera ou remplacera gratuitement tout moteur ou composant du moteur s'avérant défectueux dans des conditions normales d'utilisation domestique pendant les deux premières années courantes à compter de la date d'achat, frais de main-d'œuvre exclus.

Produit hors garantie Bosch n'est nullement tenu, en droit ou autrement, de vous offrir toute concession, y compris réparations, tarifs proportionnels ou remplacement de Produit, une fois la garantie expirée.

Exclusions de la garantie : La couverture de garantie décrite aux présentes exclut tout défaut ou dommage ne découlant pas d'une faute directe de Bosch, y compris sans limitation, un ou plusieurs des cas suivants : (1) utilisation du Produit d'une façon autre que normale, habituelle et prévue (y compris, sans limitation, toute forme d'utilisation commerciale, utilisation ou rangement d'un produit pour l'intérieur à l'extérieur, utilisation du Produit avec des vaisseaux aériens ou flottants) ; (2) mauvaise conduite volontaire de toute partie, conduite négligente, mauvaise utilisation, abus, accidents, négligence, exploitation irrégulière, manquement à l'entretien, installation inadéquate ou négligée, altération, manquement à observer les instructions de fonctionnement, manipulation sans précaution, service non autorisé (y compris le « bricolage » fait soi-même ou l'exploration du fonctionnement interne de l'appareil) ; (3) réglage, altération ou modification de toute sorte ; (4) manquement à se conformer à tous les codes électriques, de plomberie et/ou de construction de l'état, locaux, municipaux ou du comté, règlements ou lois en vigueur, y compris le manquement à installer le Produit strictement en conformité avec les codes et règlements d'incendie et de construction locaux ; (5) usure et détérioration normales, déversements d'aliments, de liquides, accumulation de graisse, ou autres substances accumulées sur, dans ou autour du Produit ; et (6) toute force et facteur externes, élémentaires et/ou environnementaux, y compris sans limitation, pluie, vent, sable, inondations, incendies, glissements de terrain, gel, humidité excessive ou exposition prolongée à l'humidité, foudre, surtensions, défauts de structure environnante de l'appareil, et catastrophes naturelles. En aucun cas Bosch n'assumera la moindre obligation ou responsabilité pour des dommages survenus à la propriété environnante, y compris armoires, planchers, plafonds et autres structures ou objets autour du Produit. Également exclus de la garantie sont les égratignures, éraflures, encoches mineures et dommages esthétiques sur les surfaces externes et les pièces exposées ; Les produits dont les numéros de série ont été modifiés, effacés ou enlevés ; les visites de service pour montrer au client comment utiliser le Produit ou les visites alors que le Produit ne présente aucun problème ; la correction de problèmes d'installation (vous êtes uniquement responsable de toute structure et réglage du Produit, y compris électricité, plomberie ou autres services utilitaires, pour un plancher/fondation appropriés et pour toute modification y compris, sans limitation, des armoires, murs, planchers, étagères, etc.) ; et pour la remise en fonction des coupe-circuits ou fusibles. **DANS LA MESURE OU LA LOI LE PERMET, LA PRÉSENTE GARANTIE ÉNONCE VOS RECOURS EXCLUSIFS À L'ÉGARD DU PRODUIT, QUE LA RÉCLAMATION SOIT DE NATURE CONTRACTUELLE OU DÉLICTEUELLE (Y COMPRIS LA RESPONSABILITÉ ABSOLUE OU LA NÉGLIGENCE) OU AUTRE. LA PRÉSENTE GARANTIE REMPLACE TOUTES LES AUTRES GARANTIES, EXPRESSES OU IMPLICITES. TOUTE GARANTIE IMPLICITE EN VERTU DE LA LOI, QUE CE SOIT À DES FINS DE QUALITÉ MARCHANDE OU D'ADAPTATION À UN BUT PARTICULIER, OU AUTREMENT, EST EN VIGUEUR UNIQUEMENT PENDANT LA PÉRIODE AU COURS DE LAQUELLE LA PRÉSENTE GARANTIE LIMITÉE EXPRESSE EST EN VIGUEUR. LE FABRICANT NE SERA EN AUCUN CAS RESPONSABLE DES DOMMAGES, PERTES OU FRAIS CONSÉCUTIFS, PARTICULIERS, ACCESSOIRES, INDIRECTS, ET/OU PUNITIFS, DES « PERTES COMMERCIALES », Y COMPRIS, NOTAMMENT, LE TEMPS D'ABSENCE AU TRAVAIL, L'HÉBERGEMENT ET/OU LES REPAS AU RESTAURANT, LES FRAIS DE REMANIEMENT EN EXCÉDENT DES DOMMAGES DIRECTS QUI SONT MANIFESTEMENT CAUSÉS EXCLUSIVEMENT PAR BOSCH OU AUTREMENT. CERTAINS ÉTATS NE PERMETTENT PAS L'EXCLUSION OU LA LIMITATION DES DOMMAGES ACCESSOIRES OU INDIRECTS ET CERTAINS ÉTATS NE PERMETTENT PAS LA LIMITATION SUR LA DURÉE D'UNE GARANTIE IMPLICITE, DE SORTE QUE LES LIMITATIONS CI-DESSUS PEUVENT NE PAS S'APPLIQUER À VOTRE CAS. LA PRÉSENTE GARANTIE VOUS DONNE DES DROITS JURIDIQUES SPÉCIFIQUES ET VOUS POUVEZ AVOIR ÉGALEMENT D'AUTRES DROITS QUI VARIENT D'UN ÉTAT À L'AUTRE.** Aucune tentative d'altérer, de modifier ou d'amender la présente garantie ne peut être effective à moins d'une autorisation écrite par un représentant de BSH.

Obtention du service sous garantie : Pour obtenir le service sous garantie pour votre Produit, contactez le centre de service autorisé de Bosch le plus proche.

BSH Home Appliances Corporation – 5551 McFadden Avenue, Huntington Beach, CA 92649 / 800-944-2904



Tableau de sélection des programmes Nexxt 800 Série

Veillez lire la notice d'installation, d'utilisation et de maintenance avant d'utiliser la machine.

BOSCH

Type de linge Tenez compte de l'étiquette d'entretien		Programme*	Température en °F (°C)	Durée du programme en minutes (états de sol) (env.) *			Options (temps en +/-, en minutes)(env.)			Quantité maximale de linge:
				Lavage rapide pour a sali légèrement	Lavage normal	Faire tremper pour taché	Rinse plus (Niveau plus)	ECO	tacher l'enlève- ment	
Textiles solides en coton ou en lin 	grand tient	Regular/Cotton Hot	125 (52)	- 14	60	+ 30	+10	+17	+28	Pleine charge
	risquant de déteindre	Regular/Cotton Warm	95 (35)						+21	
		Regular/Cotton Cold	60 (15)						+19	
Textiles d'entretien facile, en coton, synthétiques ou es tissu mixte 	grand tient	Permanent Press Hot	125 (52)	- 7	55		+10	+16	+28	1/2 charge
	risquant de déteindre	Permanent Press Warm	95 (35)						+26	
		Permanent Press Cold	60 (15)						+24	
synthétiques ou es tissu mixte 	risquant de déteindre	Quick wash	95 (35)		20		+9			1/3 charge
synthétiques ou es tissu mixte 	risquant de déteindre	Comforter	86 (30)	- 20	78		+14	+20	+18	Pleine charge
Textiles solides en coton ou en lin 	risquant de déteindre	Jeans	86 (30)	- 7	58		+9	+16	+26	2/3 charge
Textiles solides en coton ou en lin 	grand tient	XXTRASANITARY	170(77)		120		+11		+60	1/2 charge
synthétiques ou es tissu mixte 	risquant de déteindre	KIDSCARE	150 (66)	13	90	+11	+17	+48	1/2 charge	
Textiles délicats faciles à entretenir 		Delicates/Silk	90 (32)	- 6	40	+6		+ 24	1/3 charge	
Textiles très délicats, faciles à entretenir 		Hand Wash/Wool	75 (24)	- 5	30	+5		+ 23		

Options

Programmeur	Notes / Application	Durée du programme, en minutes (env.)
Refresh (Régénérez)	Court-circuitez le cycle de rinçage suivi d'une rotation.	15
Drain/Spin	Cycle d'essorage pour essorer le linge lavé à la main. La pompe de vidange fonctionne avant et pendant l'essorage.	9

* La durée du programme peut différer des valeurs suivant la pression et la qualité de l'eau, le type et la quantité de linge, en fonction aussi du produit lessiviel utilisé.

Características y ventajas de los nueva lavadora

Tecnología SENSOTRONIC®

La tecnología SENSOTRONIC® optimiza el proceso de lavado en absolutamente todas las etapas del ciclo de lavado, midiendo el tamaño de la carga, el nivel de agua y la temperatura necesaria para un resultado mejor. Los sensores digitales cuidan las prendas incluyendo lana, tela de angora y seda. Esta máquina trabaja virtualmente al pulsar el botón.

Sistema exclusivo de bisagra y junta

Una bisagra reforzada y un diseño de empaque nuevo y revolucionario ayudan a sellar el calor y permiten que su ropa alcance la temperatura óptima, la cual elimina hasta las manchas más resistentes.

Surtidor de agente de lavado de 3 compartimientos

Un dosificador de 3 partes distribuye automáticamente detergente, blanqueador y suavizante exactamente al mismo tiempo.

Ciclo XXTRASANITARY™

Con este ciclo innovador, un sensor inteligente, controlado por termostato, calienta el agua a 170 °F. Limpia profundamente y satiniza la ropa, al mismo tiempo que mata el 99.99% de las bacterias domésticas más comunes.

Ciclo KIDSCARE™

Ce sont habituellement les plus jeunes occupants de la maison qui sont à l'origine des taches les plus tenaces. Ce cycle porte l'eau jusqu'à 150° F pour enlever facilement les tâches même les plus rebelles.

Paletas Del Archie

Mientras su ropa gira en el tambor gradualmente, las paletas Archie arrojan agua en cascadas desde arriba, aclarando la espuma y lavando su ropa de manera completa y uniforme. Un tambor inclinado optimiza el funcionamiento para asegurar que ni una sola camisa quede sin tratar.

Tambores de acero inoxidable

El tambor de lavado Nexxt™ tiene centenas de orificios de bordes redoblados, que permiten a sus prendas rodar suavemente sin presentar enganches.

Calentador de agua interno

Un elemento calentador de agua interno calienta el agua hasta 170° F, mientras que un sensor digital de temperatura controla la temperatura del agua. Las lavadoras Nexxt® de Bosch proveen el calentamiento de agua más eficiente y preciso para cada tipo de tejido.

Funcionamiento silenciosos

Las lavadoras Bosch usan motores suspendidos sin escobillas, sistemas de bomba aislada y material insonorizante especial para que permanezcan sumamente silenciosas mientras funcionan. Esto significa que pueden instalarse prácticamente en cualquier lugar del hogar sin provocar ninguna perturbación. El software de control de desequilibrio especial de Bosch elimina las condiciones ruidosas de desequilibrio.

AQUASTOP®

AQUASTOP® es un sistema de seguridad de contención interna diseñado para proteger contra pérdidas por inundación para reducir el riesgo de daños ocasionados por el agua cuando la lavadora está encendida y en funcionamiento.

Manguera AQUASTOP®

La manguera AQUASTOP® detiene el flujo de agua en caso de que la manguera AQUA® STOP sufra una pérdida por inundación.

Indice

Definiciones	63
INSTRUCCIONES IMPORTANTES DE SEGURIDAD	63
INSTRUCCIONES PARA LA PUESTA A TIERRA	65
INSTRUCCIONES PARA LA INSTALACIÓN	65
Introducción	65
Información sobre eliminación de residuos	65
Sobre protección y conservación del medio ambiente	65
Aplicación	65
Equipamiento suministrado de fábrica	66
Medidas	66
Zona de instalación	66
Sacar los tornillos de transporte	67
Conexión de agua	68
Conexión eléctrica	69
Procedimiento de nivelación	70
Transporte como en el caso de mudanza	71
INSTRUCCIONES DE FUNCIONAMIENTO	72
Panel de control	72
Antes del primer uso	73
Primer uso	73
Ajustar la hora	73
Selección del idioma	73
Primer ciclo de lavado (sin ropa)	73
Preparar la ropa	74
Seleccionar la ropa	74
Grados de suciedad	74
Cargar la ropa	75
Ropa Detergentes y aditivos	75
Uso de la cantidad de detergente adecuada	75
Carga de la ropa, el detergente y/o los aditivos	76
Pérdida de color	76
Programas y funciones	77
Botones para seleccionar las opciones	77
Lavado con ajustes individuales	79
Vista general	79
Special features	80
Child lock (Seguro para niños)	80
Durante el lavado	81
Selección repetida de un programa	81
Agregar una prenda o interrumpir el programa	81
Cancelación de un programa activo	81
Después del lavado	82
Instrucciones de mantenimiento para el usuario	83
Limpieza y cuidado	83
Limpieza de la carcasa y el panel de control del electrodoméstico	83
Limpieza del tambor	83
Limpieza de los compartimientos para detergente	83
Limpieza de los filtros de acceso de agua	83
Descalcificación de la máquina de lavar	84
Localización de fallos menores	85
Servicio a clientes	88
DECLARACIÓN DE GARANTÍA LIMITADA DEL PRODUCTO	89
Tabla de selección de los programas	95

La nueva máquina de lavar que usted acaba de adquirir es un equipo doméstico moderno de alta calidad. Esta moderna máquina de lavar limpia su ropa usando los procesos de lavado más sofisticados para obtener los mejores resultados de limpieza.

Una fabricación e ingeniería excelentes, reducen significativamente los costes de operación.

Una filosofía fácil en el manejo, una gran variedad de programas de lavado y una sensación de solidez, hacen de esta lavadora un asistente-sumamente útil en su hogar.

Ofrece las siguientes propiedades:

- Bajo nivel de ruidos durante el lavado y centrifugado.
- Puerta elevada con cerradura magnética.
- La puerta abre 16 pulgadas (41 cm) mediante una bisagra robusta que permite girar un ángulo de 180°.
- Capacidad del tambor de 22 lb (10 kg) para algodón normal.

Toda máquina de lavar que deja nuestra planta, ha aprobado un control de performance realístico y está en perfectas condiciones de funcionamiento.

El electrodoméstico puede contener vestigios de agua debido a los procedimientos de control. Si Vd. tiene cualquier duda respecto de la instalación de la máquina de lavar, nuestro servicio a clientes lo asesorará gustosamente.

En nuestra página de web, encontrará más información referida a nuestros productos y su selección: www.boschappliances.com

Rogamos leer y seguir estas instrucciones de funcionamiento e instalación conjuntamente con todas aquellas informaciones entregadas con nuestra máquina de lavar.

Estas instrucciones de funcionamiento e instalación describen diferentes modelos. Las diferencias se describen en los sitios correspondientes.

Las ilustraciones pueden visualizar detalles diferentes al modelo adquirido por Vd.

Definiciones



ADVERTENCIA

ADVERTENCIA – Esto significa que puede resultar la muerte o lesiones graves debido a la inobservancia de esta advertencia.



CUIDADO

CUIDADO – Esto significa que pueden resultar lesiones leves o moderadas debido a la inobservancia de esta advertencia.

AVISO

AVISO – Esto significa que se pueden producir daños en el o en los bienes debido a la inobservancia de esta advertencia.



Este símbolo se utiliza para llamar la atención del usuario respecto de algo en particular.

INSTRUCCIONES IMPORTANTES DE SEGURIDAD



ADVERTENCIA

Para reducir el peligro de incendio, descargas eléctricas, lastimaduras de gravedad o muerte al emplear su lavadora, tome las siguientes precauciones:

1. Las lavadoras BOSCH se suministran con un manual que incluye instrucciones de funcionamiento, de mantenimiento e instalación. Leer todas las instrucciones antes de utilizar la lavadora.
2. No lavar artículos que previamente hayan sido limpiados, lavados, remojados o desmanchados con gasolina, solventes para limpieza a seco, otras sustancias inflamables o explosivas, ya que se producen vapores que pueden inflamarse o explotar.
3. No agregue gasolina, solventes para limpieza a seco u otras

sustancias inflamables o explosivas al agua de lavado. Se producen vapores que pueden inflamarse o explotar.

4. Bajo ciertas condiciones puede producirse hidrógeno gaseoso en un sistema de agua caliente que no haya sido utilizado por dos o más semanas. **EL HIDROGENO ES EXPLOSIVO.** Si el sistema de agua caliente no ha sido utilizado durante tal período, abrir todos los grifos de agua caliente y dejar fluir el agua durante varios minutos antes de utilizar la lavadora. Esto eliminará el hidrógeno que se hubiera acumulado. No fumar ni utilizar una llama abierta durante esta operación, ya que el gas es inflamable.
5. Antes de retirar la máquina de servicio o deshacerse de ella, saque la puerta y el cable de conexión a la red.
6. No introducir las manos en la lavadora si el tambor está moviéndose.
7. No instalar o dejar la lavadora en un lugar donde esté expuesta a la intemperie.
8. No manipular los controles.
9. No reparar o reemplazar ninguna parte de la lavadora ni intentar cualquier tipo de servicio a menos que haya sido recomendado en las instrucciones de mantenimiento o en instrucciones de reparación para usuarios, que se hayan comprendido plenamente y para las que se disponga de habilidad.
10. Asegúrese siempre que la máquina de lavar esté desenchufada de la línea de alimentación, antes de realizar tareas de mantenimiento o servicio. Desconecte el cable de alimentación tomándolo del

tomacorriente y no del cable mismo.

11. A fin de reducir el peligro de incendios, las prendas, los paños para la limpieza, los estropajos y objetos por el estilo, que se haya ensuciado con sustancias inflamables de cualquier tipo como aceites vegetales, aceite de cocina, aceites en base a petróleo o sus destilados, ceras, grasas, etc, deben mantenerse alejados de fuentes de ignición, incluyendo secadores de ropa. Estos artículos pueden contener sustancias inflamables después de haber sido lavados, que pueden desarrollar humos o incendiarse por sí mismas.
12. No lavar a máquina materiales que contengan fibra de vidrio (muchas cortinas y doseles tienen materiales a base de fibra de vidrio). Pueden permanecer pequeñas partículas en la máquina que se adhieren a las prendas de cargas sucesivas, causando irritación de la piel.
13. Cuando los niños llegan a una edad adecuada para operar equipos electrodomésticos, es responsabilidad legal de los padres o reponsables legales, hacerlos instruir por personal adecuadamente calificado respecto de las medidas de seguridad correspondientes.
14. No permita que los niños jueguen en o con la lavadora. Debe ejercerse una supervisión estricta cuando éstos se encuentran cerca de la lavadora.
15. Mantener alejados a los animales domésticos.
16. No conectar o desconectar el enchufe principal con las manos mojadas o húmedas.
17. No tocar la puerta al lavar a alta temperatura.
18. Tener precaución al desaguar el agua caliente.
19. No subirse a la máquina ni apoyarse en la puerta de carga abierta.
20. No sentarse sobre la máquina.
21. A fin de reducir el peligro de incendio y descargas eléctricas NO usar una extensión o un

adaptador para conectar la lavadora a la red.

22. La máquina debe emplearse sólo para lo que ha sido diseñada.
23. Seguir las instrucciones de lavado que recomienda el fabricante de la prenda a lavar.
24. No utilice la lavadora si el cable de alimentación presenta daños o el enchufe está suelto. Si este fuera el caso, póngase en contacto con un agente autorizado..
25. Asegurarse de que todas las conexiones de agua a la máquina estén provistas de válvulas de cierre y que dichas válvulas sean de fácil acceso. Cierre las válvulas de alimentación al terminar cada día de lavado.
26. Verificar las conexiones de las mangueras regularmente para asegurarse de que están bien ajustadas y que no pierden.
27. Siempre se deben leer las instrucciones del fabricante del detergente, agente de limpieza, acondicionadores y eliminadores de estática que se empleen. Prestar atención a las advertencias y precauciones.
28. Almacenar los agentes de limpieza en lugar fresco y seco de acuerdo con las instrucciones del fabricante.
29. Para reducir el riesgo de envenenamiento o quemaduras químicas mantener todos los productos de limpieza fuera del alcance de los niños.
30. No poner la máquina en funcionamiento estando sin los paneles y/o protecciones o sujeciones colocadas, exceptuando los pernos de transporte.
31. No hacer funcionar la lavadora si tiene partes deterioradas o le faltan partes.
32. No puentear ningún dispositivo de seguridad.
33. Para evitar daños en el suelo o que crezca el moho, no deben producirse derrames o salpicaduras de agua que generen charcos alrededor de, o debajo de la máquina.

34. No poner la lavadora en funcionamiento hasta asegurarse de que:
 - a. haya sido instalada de acuerdo con las INSTRUCCIONES DE INSTALACIÓN.
 - b. todas las conexiones de agua, desagüe, a la red eléctrica y a tierra estén de acuerdo con las normas locales y/o otras normas aplicables.
35. Instalar, mantener y/o hacer funcionar la lavadora en desacuerdo con las instrucciones del fabricante puede producir situaciones que conduzcan a lesiones corporales y/o daños materiales.
36. Desmontando cualquier de los paneles, incluyendo el panel de manejo redondo ubicado en el frente, pueden quedar expuestos cantos y puntos filosos, conexiones eléctricas y superficies calientes.
37. Con objeto de no ocasionar daños en la puerta de carga del aparato durante los desplazamientos del mismo, no deberá presionarse contra la puerta. Con objeto de evitar daños en el fondo del aparato deberán tomarse medidas precaución adecuadas.
38. Conectar el aparato a la red de agua y verificar dichas conexiones antes de acoplarlo a la red eléctrica.

Notas:

- A. Las INSTRUCCIONES IMPORTANTES DE SEGURIDAD y los LLAMADOS DE ATENCIÓN que se presentan en este manual no cubren todas las situaciones posibles que pueden tener lugar. Deben aplicarse el sentido común, precaución y cuidado al instalar, mantener o hacer funcionar la lavadora.
- B. Consultar siempre con el comerciante, distribuidor, agente de servicio o fabricante cualquier problema o bien condiciones que no se han comprendido completamente.

INSTRUCCIONES PARA LA PUESTA A TIERRA

El electrodoméstico debe conectarse a tierra. En caso de fallos en el funcionamiento o roturas, la conexión a tierra reduce el riesgo de descargas eléctricas, presentando una vía de baja resistencia por la que puede fluir la corriente.

Este electrodoméstico está provisto de un cable de conexión con un conductor de tierra y el tomacorriente con la toma de tierra correspondiente. El tomacorriente debe conectarse en un enchufe adecuado que esté de acuerdo con todos los reglamentos y ordenanzas locales.

ADVERTENCIA

La conexión inadecuada de la puesta a tierra de este equipo puede conducir a un riesgo elevado de descargas eléctricas.

Conectar a una rama del circuito individual.

Haga controlar la instalación por un electricista calificado si tiene dudas, a fin de determinar que la lavadora esté correctamente conectada a tierra.

NO modifique el enchufe suministrado con la lavadora. Si no es adecuado al tomacorriente, haga instalar un tomacorriente adecuado por un electricista calificado.

CONSERVE ESTAS INSTRUCCIONES PARA CONSULTAS POSTERIORES.

En caso de un cambio de propietario, este manual debe entregarse conjuntamente con la lavadora.

CONSERVE ESTAS INSTRUCCIONES

INSTRUCCIONES PARA LA INSTALACIÓN

Introducción

CUIDADO

PARA EVITAR RIESGO DE LESIONES
La máquina de lavar es pesada.
Levantar con cuidado.

Asegúrese de tener en cuenta todas las advertencias y precauciones.

AVISO

Mangueras congeladas pueden rajarse o quebrarse. No instalar la máquina de lavar en el exterior o en un zona donde esté expuesta a temperaturas por debajo del punto de congelación. Si la lavadora esto situada en un lugar que será expuesto a temperaturas bajo cero, o si esta situada en una cabaña que es cerrada en tiempo de invierno, alguna agua residual en la bomba o manga(s) de agua debe ser desaguada.

Estas instrucciones para la instalación están destinadas para ser usadas por personal calificado. Adicionalmente deben tenerse en cuenta:

- en los Estados Unidos, el National Electric Code, ANSI/NFPA70 en su última edición y las reglas municipales y/o locales vigentes.
- En Canadá, el Canadian Electrical Code C22.1 en su última edición y las reglas municipales y/o locales vigentes.

Si la máquina de lavar se va a instalar en una ambiente expuesto a temperaturas por debajo del punto de congelación, o si va a estar instalada en una cabina cerrada durante el tiempo invernal, **deben** eliminarse todos los vestigios de agua contenidos en las mangueras de acceso. Cuide de no dañar la máquina de lavar.

No sujete el equipo de partes protuberantes (p. ej. la puerta) cuando lo levante.

Adicionalmente a las instrucciones de seguridad listadas aquí, el proveedor de agua y energía local pueden tener requerimientos especiales.

En caso de dudas, haga conectar el electrodoméstico por un técnico autorizado.

Información sobre eliminación de residuos

Eliminación del embalaje

El embalaje suministrado ha protegido su nueva máquina durante el transporte hasta su hogar. Todos los materiales que forman parte del embalaje son bien soportados por el medio ambiente y reciclables.

Contribuya a mejorar el medio ambiente eliminando los materiales del embalaje de una manera consciente.

Rogamos consulte con su vendedor o la autoridad correspondiente respecto de la mejor manera de eliminación.

ADVERTENCIA

Mantenga alejados a los niños de la caja de cartón original y de los demás componentes del embalaje para evitar el riesgo de asfixia con la envoltura de plástico y las cajas plegables.

Eliminación de su vieja máquina

¡Los viejos artefactos domésticos no son basura inservible! Un reciclaje consciente del medio ambiente puede regenerar valiosas materias primas.

ADVERTENCIA

Si el electrodoméstico ya no se encuentra en condiciones de uso, desconecte el enchufe principal, corte el cable de alimentación y elimínelo.

Además, retire la puerta de la lavadora para evitar que los niños queden encerrados dentro del electrodoméstico.

Aplicación

Su lavadora está diseñada:

- exclusivamente para uso doméstico.
- Para limpiar tejidos aptos para lavadora en agua corriente.
- para funcionar con agua corriente fría y caliente (140 °F/60 °C) y con detergentes para ropa convencionales y aditivos que sean apropiados para usar en máquinas lavadoras.

Sobre protección y conservación del medio ambiente

Su lavadora utiliza agua, energía y detergente eficientemente, protegiendo al medio ambiente y reduciendo los costos de su hogar.

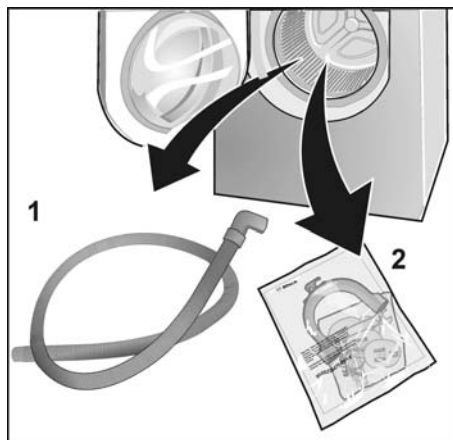
Al usar su lavadora de una manera eficiente y a la vez respetuosa con el medio ambiente:

- Evite usar demasiado detergente.
- Utilice detergentes que posean el símbolo HE para un rendimiento elevado lavadoras de carga frontal.
- Agregue el detergente de acuerdo al grado de suciedad, cantidad de ropa y dureza del agua y siga las instrucciones del fabricante del producto.

Equipamiento suministrado de fábrica

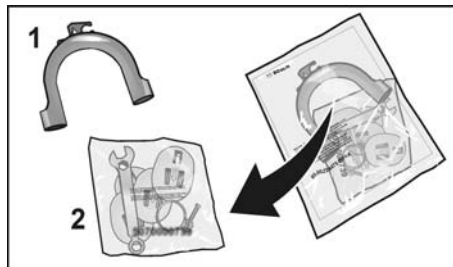
Existe un juego de partes accesorias que se suministran conjuntamente con la máquina. Controle que ha recibido todas estas partes correspondiente al modelo de máquina adquirido. Si faltan partes, contacte inmediatamente a su vendedor.

Dentro del tambor se encuentran:

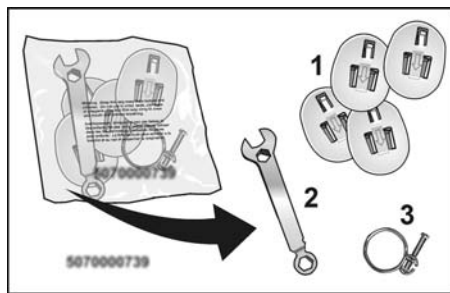


1. Manguera de evacuación para el agua.
2. Paquete informativo del manual del usuario

El contenido del paquete de la literatura incluye:



1. Un codo para sujetar la manguera de salida de agua, p. ej. a un lavabo.
2. La bolsa de accesorios

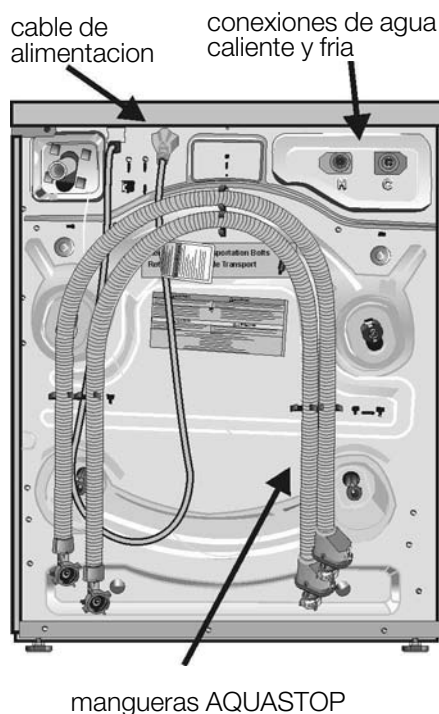


La bolsa de accesorios incluye:

1. Cubiertas para colocar sobre los orificios de los pernos de transporte (después de retirar los pernos de transporte durante la instalación de la lavadora).
2. Una llave para nivelar.
3. Una abrazadera para la manguera de salida del agua.

En la parte posterior de la lavadora:

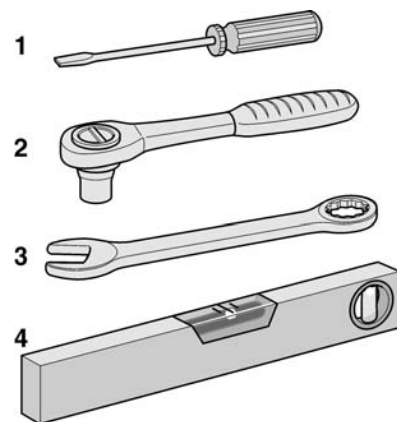
- conexiones de agua caliente y fría
- cable de alimentación con una etiqueta de advertencia sobre la remoción de los pernos de transporte
- dos mangueras AQUASTOP® (para la instalación, retire las mangueras de los ganchos que se encuentran en la parte posterior de la lavadora)



Herramientas útiles

Las siguientes herramientas ayudan en la tarea:

1. un destornillador plano.
2. Llave de vaso (1/2" / 13 mm)
3. una llave cerrada (1/2"/13 mm).
4. un nivel.



Medidas



a = 27.0 pulgadas (686 mm)
 b = 30.7 pulgadas (780 mm)
 c = 37.0 pulgadas (940 mm)
 d = 16.0 pulgadas (407 mm)
 Ángulo de apertura de la puerta: 180°
 Peso aprox. = 220 lbs (100 kg.)

Zona de instalación

⚠ ADVERTENCIA

Nunca conecte la toma de tierra a tuberías de plástico, líneas de transporte de gas o de agua caliente.

Este electrodoméstico debe instalarse sobre un piso firme correctamente nivelado debido a las altas velocidades de centrifugado seleccionables. Si se instala la máquina sobre un piso de madera o sobre un entarimado o en un sobrepiso, debe reforzársele. Los ruidos, las vibraciones y el riesgo de que la máquina “camine”, se ven afectados por la estructura y estabilidad del suelo donde se la instala.

Si la máquina de lavar debe instalarse sobre un piso de madera, debe tenerse en cuenta lo siguiente:

- Si es posible, coloque la máquina de lavar en un rincón de la habitación.
- Atornille una tabla de madera resistente al agua (como mínimo 3/4" de espesor) sobre el piso.
- Asegure los pies de la máquina de lavar mediante corchetes de sujeción (juego) que se obtiene del servicio a clientes (WMZ 2200).
- El aparato no es adecuado para montar encima de otros aparatos.
- El aparato no es encastrable ni adecuado para montar debajo de otros aparatos.

Montaje sobre pedestal

Número accesorio del pedestal de 8 pulgadas
 N° de parte: **WTZ 1295** (Secodores de Blancos)
 N° de parte: **WTZ 1295S** (Secodores de Plata)
 N° de parte: **WTZ 1295P** (Secodores tono el plata/blanco del tono del duo)

Número accesorio del pedestal de 15 pulgadas
WTZ 1500 tono del blanco sólida
WTZ 1500S tono la plata sólida
WTZ 1500P tono el plata/blanco del tono del duo
WTZ 1500C del tono el champán/blanco del tono del duo

Si monta el secador Sobre un pedestal de Bosch siga las instrucciones suministradas con el pedestal.

i **Instale el pedestal antes de quitar los pernos del transporte.**

Inodoro

Si instala la lavadora en un toilette, observe las distancias mínimas según la tabla siguiente:
 Distancias mínimas de instalación

Inodoro	
A los costados	1/4" (6 mm)
Arriba	12" (305 mm)
Detrás	2.5" (64 mm)
Delante	1/4" (6 mm)

Arriba: 48 sq. in (310 sq. cm),
 Abajo: 24 sq. in (155 sq. cm)

Lista de comprobación para la instalación

	Página
Retirar completamente los cuatro seguros de transporte. Colocar la lavadora en el lugar de emplazamiento elegido	67
Acoplar las mangueras de alimentación y desagüe. Introducir el cable de conexión del aparato en la toma de corriente.	68
Introducir el cable de conexión del aparato en la toma de corriente.	69
Colocar la lavadora en su posición definitiva.	70
Efectuar la menor nivelación en altura posible de la lavadora.	70
Antes de usar por vez primera la máquina, realizar un ciclo de lavado.	73

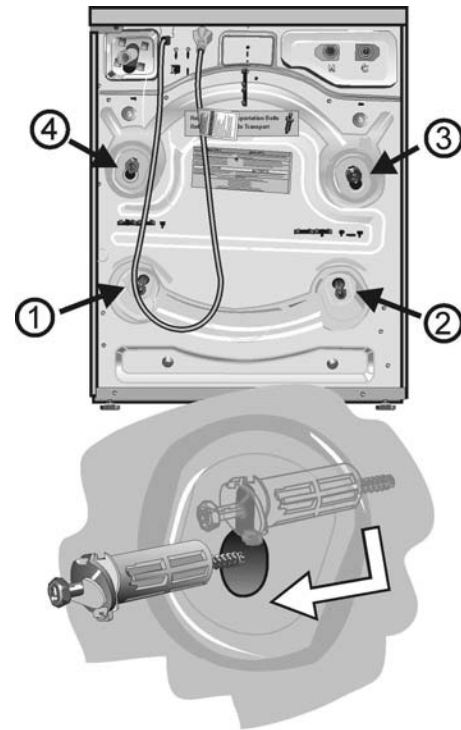
Sacar los tornillos de transporte

⚠ CUIDADO

Deben sacarse todos los tornillos de transporte antes de utilizar la lavadora por primera vez, guardándoselos para un transporte posterior (p. ej. en caso de mudanza). Si ha adquirido un juego para montaje sobre pedestal, siga las instrucciones de instalación incluidas con el pedestal antes de retirar los pernos de transporte.

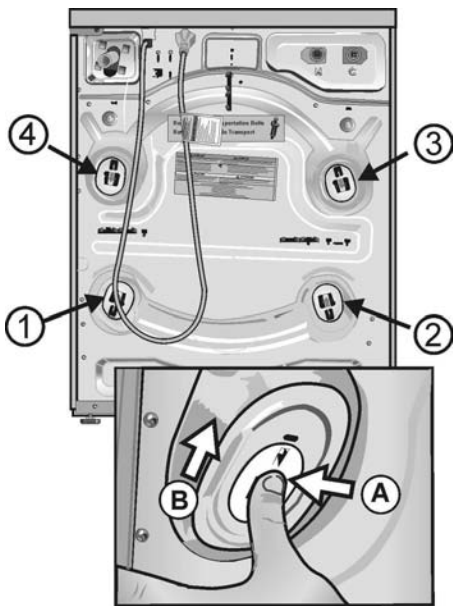
- Aflojar los cuatro tornillos antes de retirar los demás tornillos del aparato.

- Retire los pernos en el orden que se muestra en el diagrama a continuación.
- Aflojar los tornillos con la boca en estrella de la llave de 1/2" suministrada con el aparato. Aflojarlos hasta poder retirarlos libremente.
- Es posible que los pernos inferiores empotrados sean más fáciles de retirar usando una llave de cubo de 1/2 pulg. (13 mm).



- Retire completamente los 4 conjuntos de pernos de transporte (perno, resorte, arandela y manguitos). Jale el tambor de la lavadora levemente hacia adelante en dirección a la puerta abierta de la lavadora para reducir la presión sobre los conjuntos de los pernos de transporte. Deslice cada conjunto de perno de transporte flojo hacia afuera de su ranura de retención y luego jálelo hacia afuera a través del orificio de la carcasa.
- Si los bujes no salen al quitar los tornillos, vuelva a introducir los mismos nuevamente en los bujes, intentando luego nuevamente con cuidado. Es importante efectuar esta operación con los tornillos, de lo contrario los bujes no salen adecuadamente.
- Con objeto de guardar los tornillos para un posible uso posterior, no

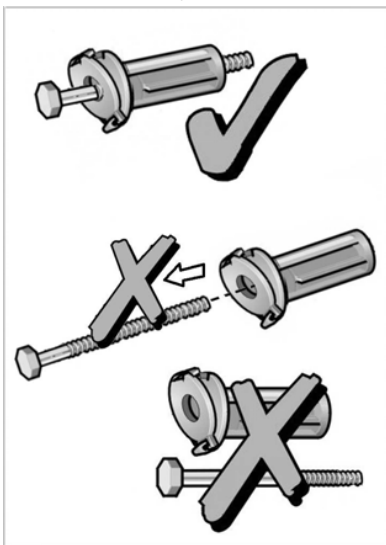
deberán separarse de los manguitos de plásticos.



- Coloque la cubierta de plástico sobre el orificio que ocupan los pernos de transporte. Empuje la lengüeta hacia adentro (A) y deslice la cubierta hacia la ranura pequeña (B).

Almacenamiento de los pernos de transporte

Guarde siempre los pernos de transporte, para disponer de ellos en caso de transportes posteriores (p. ej. en caso de mudanza).



- Guarde los pernos de transporte conjuntamente con las arandelas y los bujes colocados.

Conexión de agua

Alimentación de agua

AVISO

La máquina de lavar debe utilizarse únicamente con agua fría y caliente (140 °F / 60 °C). No conecte el electrodoméstico a un mezclador de un calentador de agua no presurizado.

Si tiene dudas, haga conectar la instalación de agua por un técnico autorizado.

Las mangueras de agua no deben:

- Doblarse o aplastarse.
- Modificarse o cortarse (no puede garantizarse la estabilidad en este caso).

NOTICE

El correcto aseguramiento de las conexiones EXTERNAS de las mangueras es de única y exclusiva responsabilidad del cliente. El fabricante no asume ninguna responsabilidad ni obligación por una conexión EXTERNA de manguera u otro tipo de conexión que no estén correctamente instaladas.

Las rosas de plástico deben ajustarse solamente a mano. No quite los filtros de las mangueras de alimentación de agua.

Observe la presión en la red de alimentación:

- La presión de agua debe encontrarse comprendida entre 14.5 y 145 p.s.i. (1 y 10 bar) (con el grifo abierto, deben fluir como mínimo 2.2 galones U.S. (8 litros) por minuto).
- Debe instalarse una válvula reguladora, si la presión de agua excede el máximo admitido.

AVISO

Para prevenir daños ocasionados por el agua, las válvulas de agua tanto caliente como fría, deben ser accesibles con la máquina emplazada y deben permanecer cerradas si la máquina no está en uso.

AVISO

Si la máquina de lavar se instala en un edificio nuevo o donde se ha instalado recientemente la tubería o efectuado modificaciones en la misma, debe hacerse correr abundante agua antes de conectar la lavadora, a fin de eliminar la arena y otros tipos de suciedad de los tubos.

Conexión

C Conexión de agua fría y H Conexión de agua caliente (máx. 140 °F / 60 °C)

- Los acoplamientos de plástico de las mangueras de alimentación y desagüe del agua en la parte posterior del aparato sólo deberán apretarse **manualmente**. No retirar los filtros de la manguera de alimentación del agua.



- Después de la conexión: abra completamente los grifos y verifique que las conexiones no presenten pérdidas.

Riegue con una manga la Extensión

Es posible que la manguera Aquasecure no quepa en el espacio disponible para el grifo en la pared. Un manguera de extensión corta (n.º de parte 645787) está disponible a través de servicio al cliente (ver página 88).

Otras Mangas

Disponible de comerciantes de aparato:

- Extendió el suministro manga (aproximadamente 96.1 pulgadas / 2,44 metros).

⚠ CUIDADO

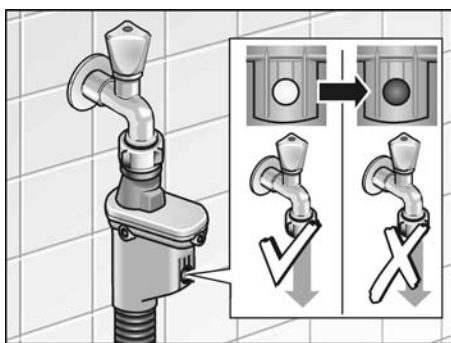
Los puntos de conexión están sometidos a la presión plena de la tubería. Controle la estanqueidad con los grifos completamente abiertos.

AQUASTOP®

Ante la detección de una pérdida o inundación, un sistema de válvula de cierre en la manguera y/o un interruptor flotante en la base, activan la detención de la máquina para prácticamente contenerla (en el peor caso, con la operación normal de la máquina, se pueden perder 4 litros de agua).

AQUASTOP® es una tecnología de contención interna y no ofrece protección contra fuerzas externas, como problemas de plomería en el hogar o daños provocados a la manguera de la máquina (como daños producidos en la instalación). La máquina debe estar nivelada y encendida ("on") para que funcione correctamente.

- ❑ La función **AQUASTOP®** no está activada y no funcionará si el selector de programas está en la posición apagado ("Off").
- ❑ La lavadora debe estar nivelada para el correcto funcionamiento de **AQUASTOP®**.



manguera AQUASTOP®

La manguera **AQUASTOP®** es un tecnología de contención externa que evita la posibilidad de inundaciones si la manguera tiene una pérdida.

Si la manguera tiene una pérdida, se visualiza una marca roja y se bloquea la entrada de agua.

- ❑ Una manguera **AQUASTOP®** que se ha activado no se puede reprogramar. Consulte a servicio al cliente para obtener un repuesto de la manguera (ver página 88).

Salida del agua

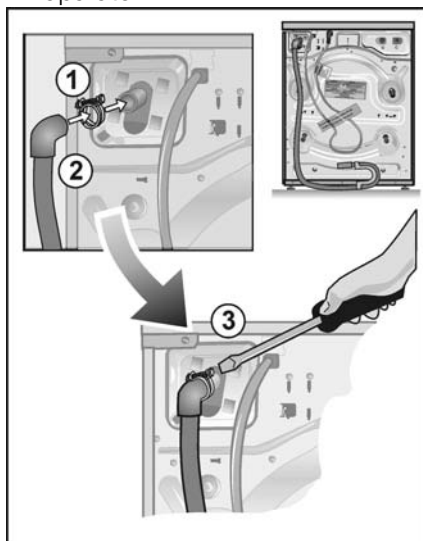
AVISO

No doble no tire de las mangueras.

Diferencia de altura entre la ubicación de la instalación de la lavadora y el punto de drenaje: Máximo de 8 pies/244 cm, mínimo de 2 pies/60 cm (más la altura del pedestal, si la lavadora se instala sobre un pedestal).

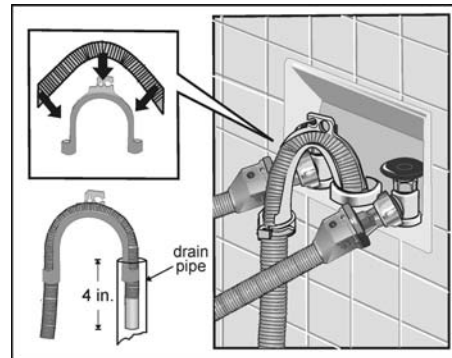
Conexión de la manguera de drenaje de agua

- ❑ **No retirar completamente el tornillo de la abrazadera.** Soltar el tornillo sólo lo necesario para que la abrazadera se deslice libremente por encima de la manguera de desagüe.
1. Deslizar la abrazadera por encima del extremo de la manguera de desagüe antes de acoplarla al aparato.



2. Acoplar la manguera de desagüe en el conector de la lavadora. Colocar la abrazadera a aprox. 9 mm de distancia del extremo de la manguera.
3. Fijar la abrazadera con ayuda de un destornillador.

Instalación embutida



- ❑ Use el codo. Sujete el codo al extremo de la manguera e inserte el extremo de la manguera en el drenaje de la pared aproximadamente cuatro pulgadas.
- ❑ Introducir al máximo la manguera y el codo en la manguera de desagüe abierta, en caso de haber optado por el emplazamiento mostrado en la figura superior.
- ❑ Utilice un hilo o un prensacables para mantener la manguera en posición.

Conexión eléctrica

INSTRUCCIONES PARA LA PUESTA A TIERRA

El electrodoméstico debe conectarse a tierra. En caso de fallos en el funcionamiento o rupturas, la conexión de puesta a tierra reducirá el peligro de descargas eléctricas, proveyendo una vía de menor resistencia a la corriente. Esta máquina está equipada con un cable que contiene un conductor de puesta a tierra y un enchufe con la conexión correspondiente. El enchufe debe conectarse a un tomacorriente apropiado que esté instalado y conectado a tierra de acuerdo con todas las normas y ordenanzas locales.

⚠ ADVERTENCIA

La conexión incorrecta a tierra, del cable correspondiente del equipo, puede ser causa de descargas Eléctricas. Haga controlar el electrodoméstico por un técnico calificado o técnico de servicio si tiene dudas respecto de la correcta conexión a tierra de la lavadora.

No modifique el enchufe provisto con el electrodoméstico. En caso que no pueda conectarlo al tomacorrientes, haga colocar un tomacorrientes apropiado por un electricista calificado.

⚠ ADVERTENCIA

La máquina de lavar debe conectarse a un ramal individual del circuito eléctrico, a través de un tomacorrientes que ha sido adecuadamente instalado y conectado a tierra.

El voltaje de la instalación domiciliaria, debe coincidir con el voltaje especificado de la máquina de lavar (ver la chapa de características en página 88).

Las especificaciones de la conexión y los fusibles requeridos se estipulan en la chapa de características.

Volts	Hertz	Amperes	Wattios
110-120	60	15	1350 (máx.)

Asegúrese que:

- el enchufe quepa en el tomacorrientes.
- la sección de los cables sea suficiente.
- el sistema de puesta a tierra esté correctamente instalado.

El cable de alimentación debe reemplazarlo exclusivamente un electricista.

El servicio a clientes dispone de cables para el recambio.

⚠ ADVERTENCIA

A fin de reducir el peligro incendios o de descargas eléctricas, NO DEBE USARSE un cable de prolongación o un adaptador para conectar la lavadora a la alimentación de energía.

Se recomienda el uso de un interruptor del circuito de fallas de conexión a tierra (Ground Fault Circuit Interrupter, GFCI).

No conecte ni desconecte el enchufe con las manos húmedas.

Toque el enchufe únicamente si lo va a desconectar del tomacorrientes.

⚠ CUIDADO

PARA EVITAR RIESGO DE LESIONES - Tenga cuidado mientras usa la llave.

Procedimiento de nivelación

1. El electrodoméstico debe encontrarse ahora en su posición definitiva, preparado para ser nivelado (moverlo después de su nivelación, puede dejarlo nuevamente desnivelado.)

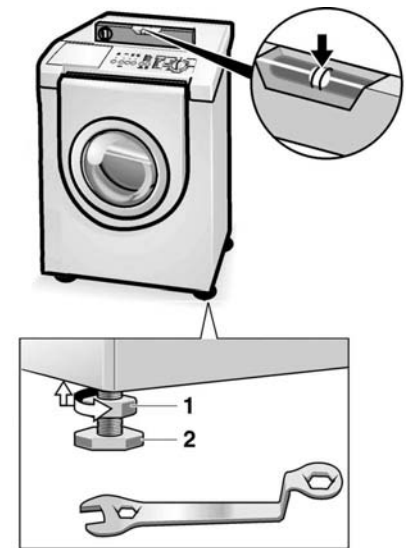
Cada pata de la lavadora o de la base debe encontrarse firmemente apoyado en el suelo, a fin de prevenir el tambaleo.

Comenzar con las cuatro patas enroscadas tanto como sea posible, volviendo a desenroscarlas la cantidad necesaria a fin de nivelar la lavadora.

2. Use un nivel de burbuja (24 pulg. o menos de largo) para nivelar la lavadora de adelante hacia atrás y hacia los laterales (asegúrese de que el nivel calce entre los bordes de la lavadora y de que ninguno de sus extremos quede elevado por estar apoyado en un reborde de la superficie de la lavadora).

3. Ajustar la nivelación de la lavadora mediante las cuatro patas de altura ajustable. Ajustar la nivelación a la menor altura posible, a fin de reducir la vibración.

- Aflojar la contratuerca (1 en la ilustración) girando en sentido horario. Utilizar la llave que forma parte del volumen de entrega (o una llave abierta de 5/8" 16mm). Si se hace girar ahora la contratuerca, la pata sujeta a ella (2 en la ilustración) gira con ella. Esto alargará la pata.



- Desenroscando la pata (sentido horario), se elevará la esquina de la lavadora, enroscándola (sentido antihorario), la esquina correspondiente descenderá. Si la esquina se encuentra a la altura adecuada, ajustar la pata en esa posición, girando la contratuerca en sentido antihorario, hasta que quede correctamente ajustada contra la carcasa de la lavadora.

- i** Puede ser necesario sujetar la pata de la lavadora con unas tenazas a fin de evitar que gire mientras se ajusta la contratuerca. Si la pata puede girar, la esquina modificará su altura.

- Una vez efectuados los ajustes preliminares, presionar sobre cada esquina de la lavadora, a fin de asegurarse que no tambalee. Si tambalea, bajar la pata de la esquina en cuestión, hasta que toca el suelo firmemente.

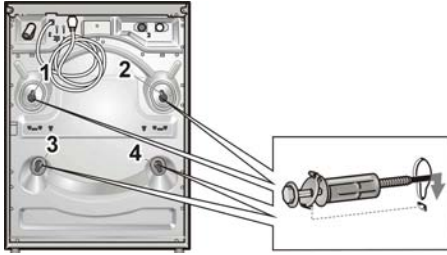
4. Vuelva a verificar la nivelación del electrodoméstico.
5. Ajuste con precisión el nivel de su lavadora revisándolo con un nivel de burbuja después de procesar su primera carga de lavado. Este es un paso muy importante.

Transporte como en el caso de mudanza

Antes de transportar la máquina de lavar:

- Cierre los grifos de agua.
- Desconecte la máquina de lavar del tomacorriente.
- Desmonte las mangueras de alimentación y de drenaje.
- Coloque los pernos de transporte.

Preparación y colocación de los pernos de transporte



- Quite las coberturas.
- Prepare los pernos de transporte: afloje el tornillo en la funda hasta que el extremo del mismo se nivele con la funda.
- Inserte y ajuste todos los pernos de transporte. La eclisa del bulón debe ubicarse en la renura del panel posterior de la carcasa.

INSTRUCCIONES DE FUNCIONAMIENTO

Panel de control

ADVERTENCIA

Antes de usar su lavadora de ropas, lea y siga todas las instrucciones de la instalación y funcionamiento.

Botones para opciones adicionales

al programa en caso de necesidad)

ECO e: Esta opción reduce la cantidad de energía utilizada para el programa de lavado.

Rinse Plus (Aclarado adicional): Ciclo de aclarado adicional.

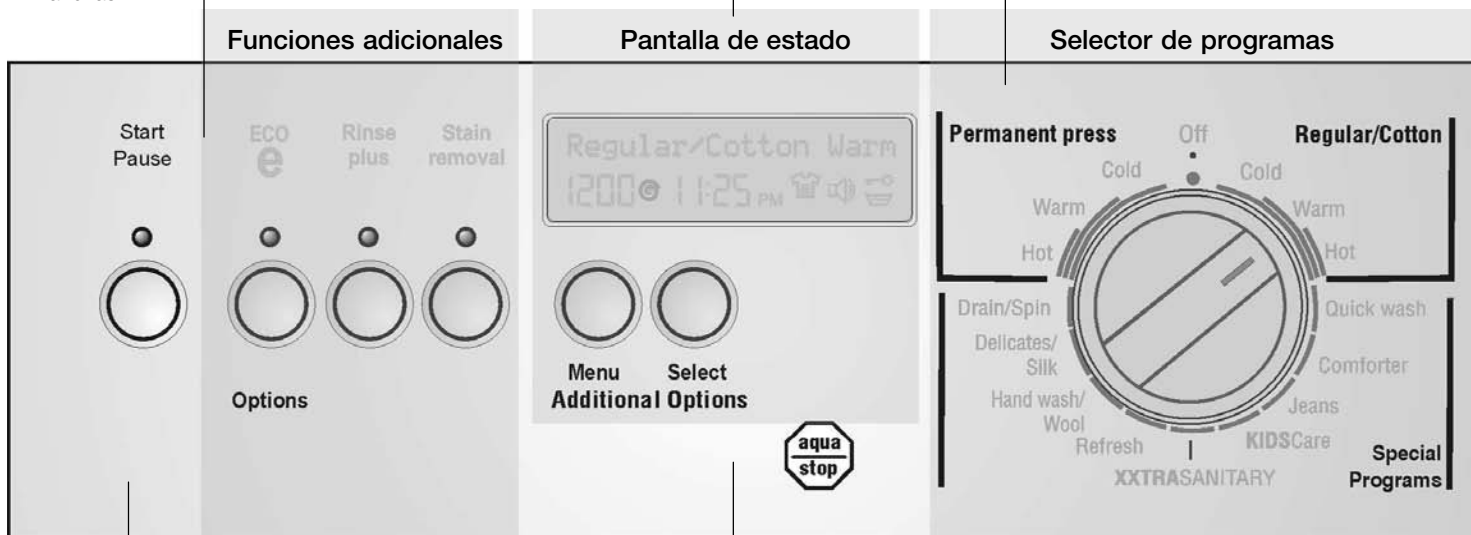
Stain removal: Tiempo de lavado adicional y controles de temperatura adicionales para remover mejor las manchas.

Panel de display

Indica los ajustes seleccionados o que se están por cambiar (p. ej. velocidad de centrifugado, la hora de finalización, remojo, la hora y el estado del seguro para niños) así como el estado de avance del programa.

Selector de programas

Enciende o apaga la máquina y selecciona el programa. Puede girárselo en ambas direcciones.



Botón Start/Pause (Arranque/pausa)

Inicia o interrumpe el ciclo de lavado (se debe seleccionar el programa antes de presionar el botón Start/Pause (Arranque/Pausa))

Luz indicadora Start/Pause (Arranque/Pausa)

La luz indicadora centellea: Se pueden modificar los ajustes, se puede iniciar el ciclo de lavado, la puerta está trabada por razones de seguridad, la protección para niños está activada o el programa está en el modo "Pause" (Pausa).

La luz indicadora está apagada ("off"): El programa ha concluido o no hay programa seleccionado, o la puerta está abierta.

Menu

Selects the settings which are to be changed.

Select

Changes the setting currently shown in the display (i.e. spin speed).

Antes del primer uso

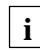
La máquina de lavar debe estar correctamente instalada y conectada (ver página 65).

ADVERTENCIA

Antes de usar su lavadora de ropas, lea y siga todas las instrucciones de la instalación y funcionamiento.

Primer uso

Ajustar la hora

-  Para poder ingresar los ajustes individuales (especialmente «Programa finaliza a»), es necesario primeramente, ajustar la hora.

Puede ajustar la hora. El ajuste efectuado se conservará por un tiempo de hasta 6 meses después del último uso de su máquina de lavar.

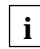
- Gire el selector de programas hasta que señale el programa deseado.

Ejemplo:



- Presione el botón **Menu** hasta que se visualice «Hora». El display de la indicación de tiempo centellea.

El indicador luminoso rojo **Start/Pause** (rojo) centellea.

-  Si no se presiona otro botón en los siguientes 10 segundos, el display regresa a la indicación «Preparado» y las modificaciones efectuadas se memorizan.



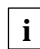
- Presione el botón **Select** hasta que el display indique la hora correcta.



- Presione el botón **Menu** hasta que la indicación de los minutos centellee.





- Presione el botón **Select** hasta que el display de los minutos indique la cifra correcta. Queda así ajustada la hora.

-  Presione el botón **Menu** para finalizar la función Menú.

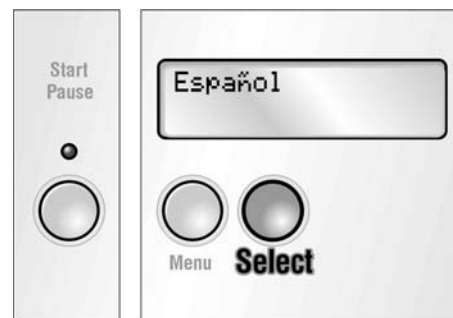
Puede modificar otros ajustes presionando el botón **Menu** y efectuando la modificación presionando el botón **Select**.

Selección del idioma

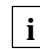
-  La hora debe ser fijada antes de que la lengua pueda ser cambiada.

-  El selector de programas no debe estar en la posición **Off**.

- Presione Simultáneamente los botones **Menu** y **Select** y manténgalos accionados (5 segundos) hasta que se visualiza el ajuste vigente.



- Presione el botón **Select** hasta que se visualiza el idioma deseado.
- Confirme el idioma seleccionado, presionando el botón **Menu**.

-  El idioma seleccionado puede confirmarse accionando el botón **Menu** o bien dejando el idioma seleccionado por cinco segundos visualizado.

Campo de la pantalla

En la primera línea, aparece el texto del progreso de la operación y del programa a la izquierda. La hora actual se muestra a la derecha cada vez que aparece «Ready» (Listo) a la izquierda. En la segunda línea, la pantalla indica la velocidad de centrifugado y la hora estimada de finalización del programa, así como los símbolos para la Velocidad de centrifugado, el Modo de Lavado, Pre-Remojo, Señal y Protección para niños.

Primer ciclo de lavado (sin ropa)

Su electrodoméstico fue controlado en fábrica/ Para asegurar un lavado correcto con su primera carga, efectúe inicialmente un ciclo de lavado completo sin colocar prendas en la máquina.

- No cargue ropa alguna.
- Abra los grifos de agua.
- Abra la tapa del compartimiento para el detergente.
- Ponga aprox. 1 quart. (1 litro) de agua dentro del compartimiento **I** para el detergente. Ver página 76.
- Coloque de 1 a 2 tabletas de detergente en la cámara correspondiente.

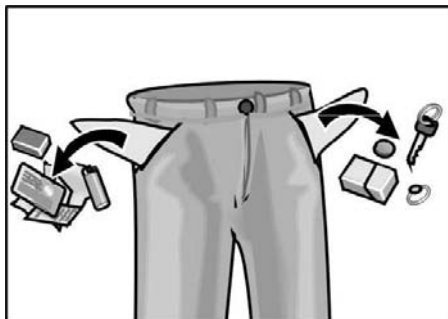
- i** No utilice detergentes especiales o para lana (estos detergentes producen demasiada espuma).
- Cierre la tapa del compartimiento para detergente.
- Cierre la puerta.
- Coloque el selector de programas en Regular/**Cotton Hot**. El indicador luminoso rojo **Start/Pause** (rojo) centellea.
- Presione el botón **Start/Pause**. El programa arrancará. La luz indicadora (roja) está encendida.

- i** Los diversos pasos del programa se visualizan en el display. Cuando se visualiza «Quitar la ropa»:
 - Abra la puerta.
 - Gire el selector de programas a **Off**.

Preparar la ropa

AVISO

Objetos sueltos (monedas, broches para papel, clavos u otros objetos duros) pueden dañar las prendas o partes de la máquina de lavar (p. ej. el tambor).



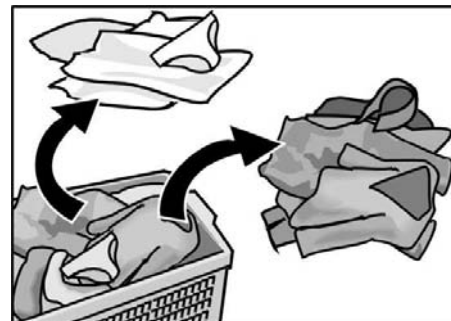
- Vacíe los bolsillos.
- Cepille para eliminar hilachas y suciedad.
- Cierre los cierres, los botones y los ganchos.
- Quite las correderas de las cortinas o colóquelas a todas juntas en una red.
- Quite agujas, botones, hebillas y otros objetos que pueden rayar el interior de la lavadora.
- Quite adornos y ornamentos no lavables.
- Gire el interior de tejidos de punto sintéticos hacia fuera, a fin de evitar que se arruine.
- Trate las manchas.

Para evitar la pérdida o daños en la ropa, las prendas siguientes deben colocarse en una red:

- Soquetes de bebé (prendas pequeñas)
- Ropa interior o de punto
- Cinturones
- Prendas ítimas femeninas (el lavado directo en la lavadora, las cintas pueden soltarse durante el lavado causando daños)

Seleccionar la ropa

De acuerdo al color y el grado de suciedad



AVISO

Las prendas pueden decolorarse. Nunca lave prendas nuevas multicolor, juntamente con otras prendas.

Prendas blancas pueden ponerse grises. Lave siempre por separado, la ropa blanca y aquella de color.

Grados de suciedad

Suciedad leve

Suciedad no reconocible o manchas. Ropa que huele a cuerpo.

- Ropa liviana de verano.
- Camisas playeras, camisas y blusas que han sido usadas por menos de un día.
- Sábanas y toallas que fueron usadas por un día.

Suciedad normal

Suciedad visible y/o manchas fácilmente reconocibles.

- Camisas playeras, camisas y blusas muy sudadas o usadas varias veces.
- Toallas de baño o de mano y sábanas que fueron usadas por un tiempo de hasta una semana.
- Cortinas (que no presenten manchas de humo) que no fueron lavadas por un tiempo de hasta 6 meses.

Muy sucio

Suciedad y/o manchas reconocibles.

- Toallas de mano de la cocina, usadas por un tiempo de hasta 1 semana.
- Servilletas de tela.
- Baberos.
- Ropa de niños o camisas y shorts de deporte con manchas de tierra o pasto.
- Ropa de trabajo como overalls, o ropa de panaderos o carniceros.

Manchas típicas

- Aceites orgánicos, aceites o grasa de cocina, aceites minerales, ceras (que contienen grasa o aceite).
- Té, café, vino tinto, frutas, verduras.
- Sangre, huevo, leche, almidón (que contenga proteínas o carbohidratos).
- Hollín, tierra, arena (pigmentos), arcilla roja.

Quitar manchas

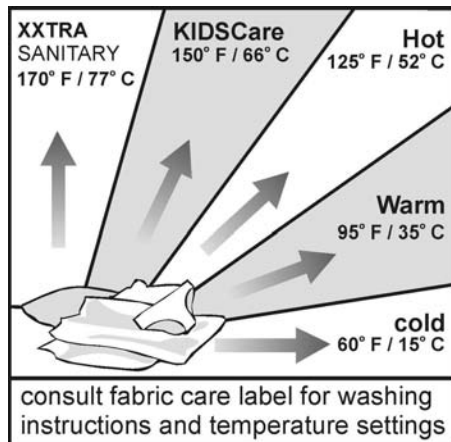
En lo posible, quite o trate las manchas mientras son frescas.

Primero, coloque agua jabonosa sobre la mancha. No las friegue.

Lave las prendas a continuación, utilizando el programa adecuado.

A veces es necesario aplicar varios ciclos de lavado para eliminar manchas persistentes o secas.

Seleccionar la ropa de acuerdo a las especificaciones de cuidado



Tipos de símbolos

Lavado a máquina, algodón

Lavado a máquina, estampados

Lavado a máquina, ropa delicada

Lavado a mano

Temperaturas

Frío

Tibio

Caliente

No lave prendas en la máquina de lavar que presenten el símbolo "Do not Wash" o DO NOT WASH

Cargar la ropa

ADVERTENCIA

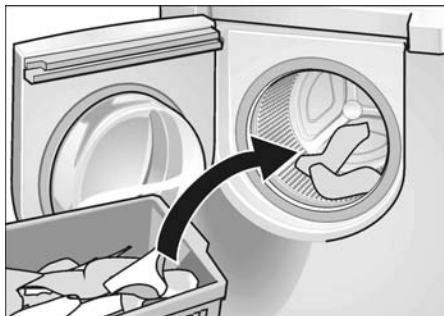
¡PARA EVITAR PELIGRO DE EXPLOSIÓN!
Prendas de ropa tratados previamente con agentes de limpieza en base a solventes o bien agentes de limpieza en seco, representan un peligro de explosión una vez cargados en la máquina de lavar. Antes de cargarlos, deberá aclarárselos prolijamente a mano.

AVISO

Objetos sueltos que se encuentren en el interior del tambor de la máquina de lavar, pueden dañar la ropa. Antes de cargar la ropa, controle que no se encuentren objetos en el tambor.



- Abra la puerta.



- Coloque las prendas seleccionadas sin doblar y sueltas dentro del tambor. Mezcle prendas grandes y pequeñas, ya que prendas de tamaños diversos se distribuyen mejor durante el ciclo de centrifugado.

- No exceda la carga máxima: la sobrecarga arrojará resultados pobres en la calidad del lavado y hace que la ropa salga más arrugada.

Para obtener los mejores resultados, se recomienda cargar el tambor según el tipo de tejido.

Plena carga
Algodón y lino

½ carga
Estampados, combinaciones de fibras sintéticas y tejidos.

⅓ de carga
Lana, ropa delicada, seda



- Cierre la puerta.
No presione prendas entre la puerta y la junta de goma. La puerta debe cerrarse con facilidad, es decir, sin forzarla.

Ropa Detergentes y aditivos

Uso de la cantidad de detergente adecuada

ADVERTENCIA

¡PARA EVITAR RIESGO DE ENVENENAMIENTO!
Mantenga los detergentes y aditivos fuera del alcance de los niños.

Mida el detergente (polvo o líquido) de acuerdo a:

- La dureza del agua. Esta información puede obtenerla de su proveedor de agua local. Aguas blandas requieren de una cantidad de agente de lavado menor.
- La cantidad de ropa.
- El grado de suciedad. Información al respecto, la hallará en la página 74.
- Las especificaciones del fabricante del detergente. Midiendo correctamente la cantidad de detergente, reduce los daños al medio ambiente y aseguran un resultado óptimo del lavado.

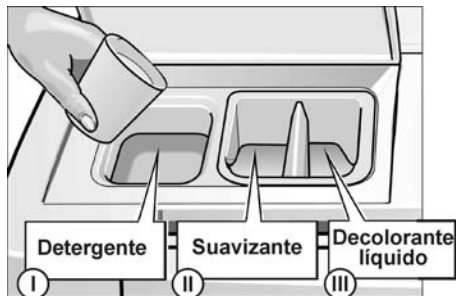
Demasiado poco detergente:

La ropa no se limpia correctamente y eventualmente resulta gris y rígida. Aparecerán manchas marrón grisáceas (partículas de grasa). Las barras calefactoras se calcificarán.

Demasiado detergente:

Espuma excesiva, daña el medio ambiente, reduce el agitado durante el lavado produciendo resultados deficientes en el lavado y puede causar un centrifugado deficiente.

Carga de la ropa, el detergente y/o los aditivos



- Abra la tapa del compartimiento para el detergente.
- Coloque el detergente y/o los aditivos.

Compartimiento I:

Compartimiento para el lavado, eliminador de manchas.

i Recomendamos detergentes se alta energía (HE), ya que éstos fueron desarrollados para obtener un rendimiento óptimo en lavadoras de carga frontal. Al no usar los detergentes mencionados en el párrafo anterior, pueden generarse problemas como exceso de espuma ciclos de lavado más prolongados o una merma en el rendimiento.

Compartimiento II:

Aditivos para el lavado, es decir suavizantes o acondicionadores. ¡No llenar más allá de la marca máxima!

i No use suavizante en tejidos para uso en exteriores (p. ej.: materiales recubiertos con hule o impermeables).

Compartimiento III:

Compartimiento para el blanqueador (cloro, blanqueador o blanqueador con protección de colores). ¡No llenar más allá de la marca máxima!

i Suavizantes concentrados o espesos deberán diluirse con un poco de agua antes de colocarlos en el compartimiento para evitar rebalses de agua debido a obstrucciones.

i Si las superficies coloreadas de la lavadora entran en contacto con el blanqueador, puede ocurrir que éstas se decoloren. Por ello es importante que el blanqueador no entre en contacto con las superficies mencionadas. Si se desparramara blanqueador sobre las superficies coloreadas, limpie inmediatamente con un paño de papel húmedo on la mayor prolijidad.

i Cierre la tapa del compartimiento para detergente.

Pérdida de color

AVISO

Los colorantes pueden contener azufre o cloro. Estas sustancias pueden producir óxido en algunas partes de la máquina de lavar. No coloree prendas de ropa en la máquina de lavar.

Programas y funciones

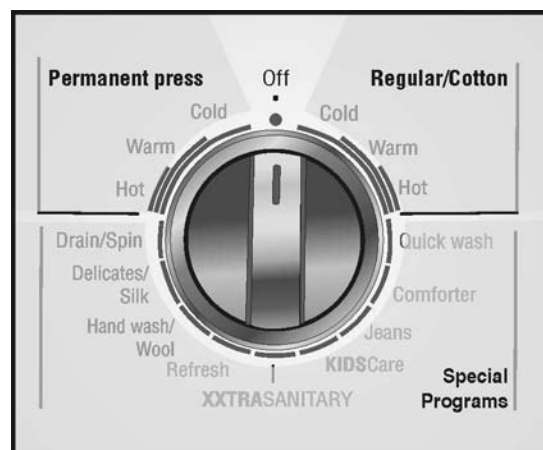
Para lavar óptimo resulta su arandela ofrece varios grupos del programa y opciones adicionales.

Los programas básicos incluyen Normal/Algodón y Planchado permanente. La selección del programa se basa, en parte, en el tipo de tejido del lavado.

Los tiempos de los ciclos variarán según el ciclo seleccionado, la temperatura y la presión del agua de entrada, la dureza del agua, el tamaño de la carga y el tipo de tejido.

Los programas especiales tienen un diseño personalizado para necesidades de lavado especiales o tipos específicos de tejidos.

Se pueden seleccionar opciones adicionales presionando uno de los botones de opciones del panel.



Maximum spin speeds of the programs

Revoluciones por minuto	Tipo de ropa / ciclo adicional
1200	Regular/Cotton (Normal/algodón)
800	Permanent Press (Estampados)
600	Delicates/silk (Ropa fina)
400	Hand wash / Wool (Lavado a mano / lana)
600	Comforter
800	Jeans
900	Quick wash
1200	XXTRASANITARY (Higiénico)
1200	KIDSCARE
1200	Refresh
1200	Drain/Spin

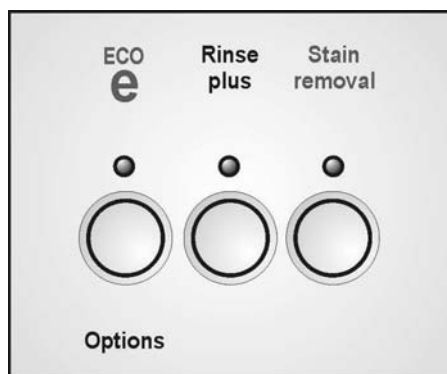
En los programas **Regular/Cotton (Normal/Algodón)**, **XXTRASANITARY**, **KIDSCARE**, and **Refresh**, las prendas se centrifugan a la máxima velocidad de centrifugado posible.

En los programas **Permanent Press (Estampados)**, **Hand wash (Lavado a mano)/Wool (Lana)**, **Comforter** y **Jeans**, la máquina de lavar centrifuga a velocidades menores a fin de lograr un tratamiento más delicado. Si así lo desea, puede reducir la velocidad de centrifugado. El mínimo admitido son 400 revoluciones por minuto.

Sin centrifugado final («----»)

EL agua permanece en la máquina después del último aclarado. Se lo recomienda para ropa delicada. Utilice este ajuste para evitar el arrugado de la ropa en caso que no puede extraer la ropa de la máquina de lavar inmediatamente después de concluido el ciclo de lavado.

Botones para seleccionar las opciones



ECO e

Esta opción reduce la cantidad de energía consumida hasta un 20%. Esta opción no se encuentra disponible para los programas de lavado con agua fría.

Rinse Plus (Aclarado adicional)

Si se acciona este botón, se agrega un ciclo de aclarado al programa seleccionado. El tiempo de lavado se extiende concordantemente.

La eliminación de la mancha

La opción de lavado potenciado se recomienda **ÚNICAMENTE para prendas sumamente sucias que requieren de una limpieza a fondo de manchas resistentes, provenientes de alimentos.** **NO** se recomienda la opción de lavado potenciado para ropas con suciedad normal o ligera.

Si se acciona este botón, la lavadora se llena con agua fría únicamente. Durante el calentamiento de la misma a la temperatura definida, el ciclo de lavado ya está corriendo. El tiempo de lavado se prolonga para cargas de ropa sumamente sucia.

Basic Programs (Programas básico)

Regular/Cotton (Ropa común / Algodón)

For Cottons and coloreds made of cotton or linen.

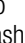
Hot (Caliente)	Prendas robustas de trabajo confeccionadas de algodón o lino como ropa de trabajo y ropa interior.	Ropa de colores firmes con grado de suciedad regular o elevada.
Warm (Tibio)	Ropa robusta y de trabajo confeccionadas de algodón con vaqueros, chombas y camisas.	Ropa normal que destiñe no muy sucia.
Cold (Frío)	Ropa robusta y de trabajo confeccionadas de algodón o lino (colores que destiñen o se desvanecen).	Prendas no muy sucias que destiñen.

Permanent press (Estampados)

Easy-care (drip-dry) laundry made of synthetic and blended fabric (e.g. , cotton/polyester).

Hot (Caliente)	Algodón con grado de suciedad normal de algodón, lino, fibra sintética o mezclas o prendas de vestir.	con grado de suciedad
Warm (Tibio)	Algodón que destiñen, con grado de suciedad medio o leve, estampados, de lino, de fibra sintética o mezcla y de vestir.	con grado de suciedad
Cold (Frío)	Algodón que destiñen, con grado de suciedad medio o leve, estampados, de lino, de fibra sintética o mezcla y de vestir.	con grado de suciedad

Special Programs (Programas especiales)

Drain/Spin	Se drena el agua y se activa el centrifugado de alta velocidad	
Delicates/Silk	Los ajustes para prendas delicadas se entienden para su uso con para prendas finas de cuidado fácil de algodón, satén, prendas de fibra sintéticas o mezcla, cortinas, trajes, faldas y blusas.	
Hand wash / Wool (Lavado a mano)	Los ajustes para el lavado a mano se entienden para el lavado de prendas muy delicadas de cuidado fácil, que normalmente se lavan a mano. Estos programas fueron diseñados para un tratamiento extremadamente delicado de las prendas. Con este programa pueden lavarse sin problemas, prendas marcadas con el símbolo  «Hand wash» (lavado a mano) en la etiqueta de cuidados.	
Refresh	Programa para aclarar unsoiled textiles, por ejemplo trajes de baño, y para quitar detergente residuo de textiles. Los fines con un ciclo de la vuelta.	
XXTRASANITARY™	Esta programa fue desarrollado especialmente para eliminar la mayoría de las bacterias existentes en los hogares dando un tratamiento delicado a los tejidos. Utilizado para prendas muy sucias y/o manchadas que requieren de una desinfección, tales como toallas, ropa interior, medias, sábanas, manteles, etc.	
KIDSCARE™	Regular/ajustes de Algodón son pensados ser utilizados para mucho soiled y/o tejidos de colores inalterables manchados. Los artículos firmes y resistentes hicieron de algodón o lino como toallas, las hojas o calcetines blancos de deporte. No lave prendas nuevas multicolor junto a otras ropas.	
Jeans	Especialmente diseñado para el vaqueros y mahones pesados, este programa reduce desteñir y arrugar.	
Comforter	Programa especialmente diseñado para prendas grandes/voluminosas. Se usa más agua para asegurar que las prendas se mojen por completo, y el centrifugado es más suave para evitar que las prendas se estiren.	
Quick wash	Esté programa ha sido diseñado para todos los tamaños de carga, pero es especialmente adecuado para cargas de medianas a grandes con muy poca suciedad. Es útil para la mayoría de los tipos de tejido, excepto para ropa fina o clara.	

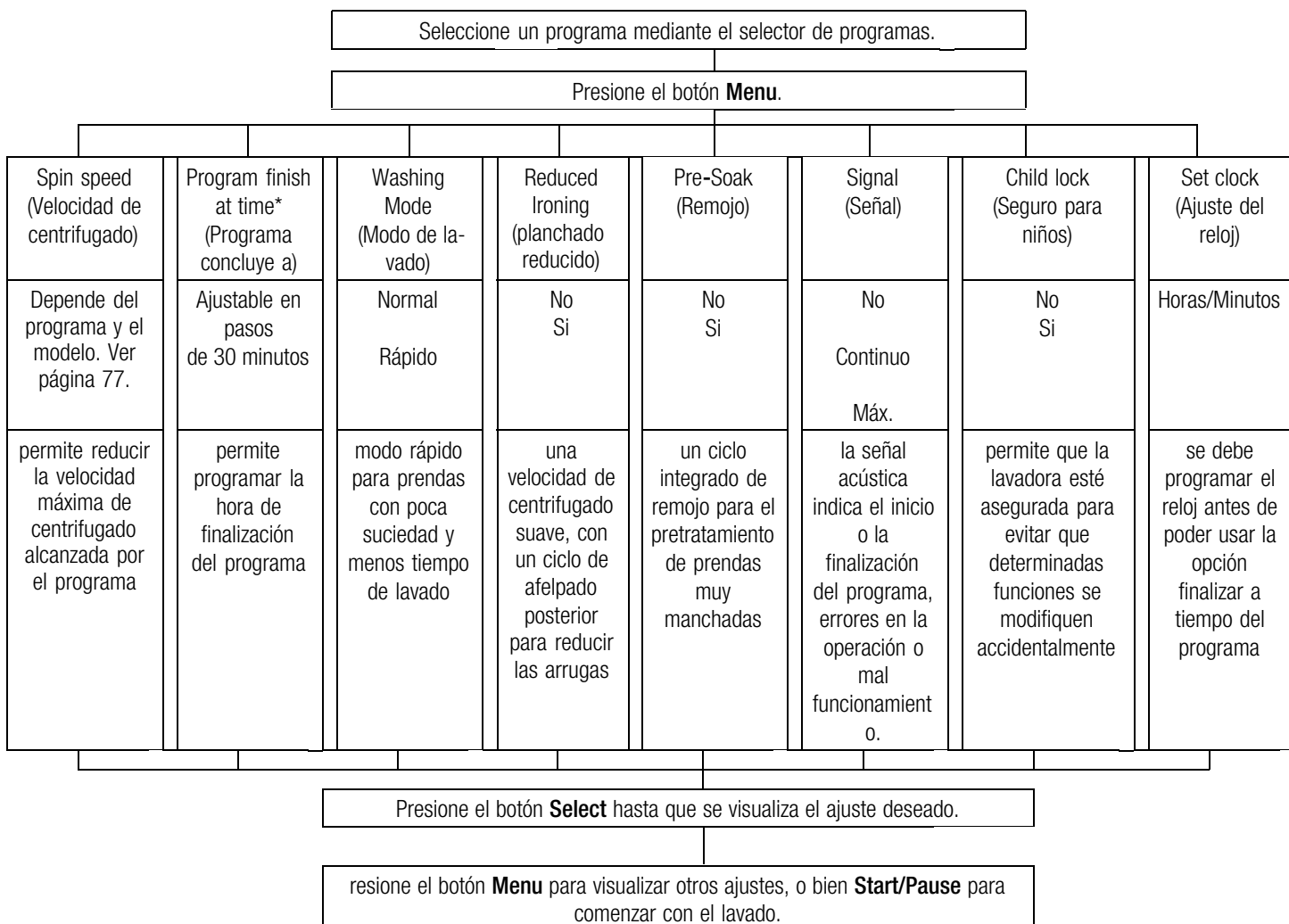
Lavado con ajustes individuales

Los ajustes individuales pueden adecuarse a sus requerimientos.

Abajo se visualiza una vista general de los ajustes posibles.

Los pasos para modificar los ajustes se describen detalladamente a continuación.

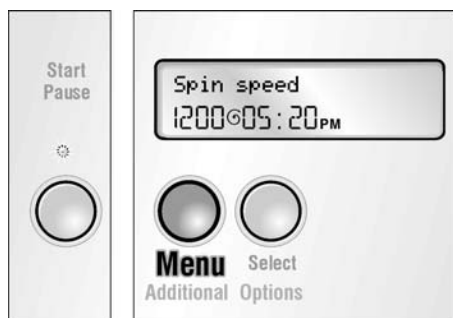
Vista general



* Disponible sólo si el reloj está programado (ver página 73)

Cambiar Demostró Ajustes

i ¡Antes poner las opciones adicionales, eligen un programa con el selector del programa!



Seleccione ajustes apretando el botón de **Menú** y cámbielos apretando el botón **Selecto**.







Seleccione la opción para ser cambiada con el "Menú" botón. Apriete el botón para mover a la próxima opción en la presentación. El símbolo activo empieza a destellar.

Los ajustes activos actuales de la opción son demostrados a la derecha.

Estos ajustes ahora pueden ser cambiados con el botón "**Selecto**". Apriete el botón para saltar a la próxima colocación posible.

i Apretar el "botón de Menú otra vez, guarda los ajustes anteriores. Si usted no aprieta ningún botón por 10 segundos que los ajustes son guardados automáticamente.

Display Symbols

Symbol	Function	Settings
	Washing Mode (Modo)	lavado normal
		lavado rápido
	Stain Removal (La eliminación de la mancha)	On/Off
	Pre-Soak	On/Off
	Signal	Off, Continuous, Max
	Child lock (el seguro para niños)	On/Off

Características especiales

Ajuste de carga automático

El «ajuste automático de carga» regula el consumo de agua y de energía para cada programa y determina la cantidad de ropa y tipos de tejido.

Este proceso está integrado en la máquina y ocurre automáticamente.

Este control reduce el consumo de agua y de energía en caso de cargas pequeñas.

Un sensor mide el flujo de agua que entra y determina la cantidad exacta de agua necesaria para la carga.

Este sensor asegura que el nivel de agua sea el correcto para lavar su ropa, comenzando por nuestro programa económico «Regular/Cotton» (Normal/algodón) y «Permanent Press» (Estampados) pasando por los programas «Delicate» (Ropa fina), «Hand Wash» (Lavado a mano), «Wool» (Lana), «AquaGuard» y «XXTRASanitary» (Higiénico).

Sistema de detección de carga desbalanceada

Este sistema se ocupa de centrifugar la carga varias veces para asegurar una distribución pareja de la misma. Si la carga a lavar está distribuida de modo desparejo, no se procede al centrifugado, o bien se reduce la velocidad del centrifugado final (por razones de seguridad).

En el caso del programa para lana, el electrodoméstico solo efectúa dos intentos de arrancar el centrifugado. Esto ocurre para evitar que las prendas encojan.

Tiempo indicado

Debido a las características mencionadas y otras causas, el tiempo del programa en curso varía. Una vez seleccionado el programa, se visualiza el tiempo que demorará el ciclo.

Los siguientes factores afectarán la hora que aparece en la pantalla:

- el tamaño de la carga
- las repeticiones de intento de centrifugado necesarias para obtener una distribución pareja de la carga durante el centrifugado
- ciclos de aclarado adicionales, debidos a la formación excesiva de espuma
- Baja presión de agua
- la selección de opciones adicionales, p. ej. «Rinse Plus» (aclarado adicional)

i Puede advertir que estos efectos (más o menos tiempo) modifican la hora que aparece en la pantalla cuando se producen durante el ciclo. - Si no se han seleccionado opciones y no tienen lugar los efectos de estas acciones, el tiempo indicado es el falta para la finalización del ciclo.

Child lock (Seguro para niños)

Puede asegurar su máquina de lavar, a fin de evitar la modificación involuntaria de los ajustes.

Si se ha seleccionado la activación del seguro para niños:

- No pueden efectuarse modificaciones mientras el programa está en progreso.
- La puerta permanece trabada al finalizar el programa.

Arranque de un programa con «Seguro para niños: sí»

- Gire el selector de programas hasta que señale el programa deseado.
- Cargue la ropa y cierre la puerta. El indicador luminoso rojo **Start/Pause** (rojo) centellea.



- Presione el botón **Start/Pause** y manténgalo accionado (5 segundos). El programa arrancará. Se enciende la luz indicadora roja. El seguro para niños está activado.

i Para desactivar el seguro para niños temporalmente, presione nuevamente el botón Start/Pause (5 segundos) hasta que la luz indicadora correspondiente centellea. Ahora puede modificar programas u opciones. Vuelva a presionar el botón Start/Pause para activar nuevamente el seguro para niños.

i Puede detener un programa en marcha con el seguro para niños activado, girando el selector de programas a «no»! Si vuelve a prender la máquina, el programa interrumpido continúa.

Para interrumpir el programa para agregar/retirar ropa

- Presione el botón **Start/Pause** y manténgalo accionado (5 segundos). El seguro para niños se reactiva y el programa se interrumpe.

i Puede detener un programa en marcha con el seguro para niños activado, girando el selector de programas a «no»! Si vuelve a prender la máquina, el programa interrumpido continúa.

Descarga de la ropa al finalizar un ciclo con «Seguro para niños: sí»

- Presione el botón **Start/Pause** y manténgalo accionado (5 segundos). Puede abrir la puerta y quitar la ropa. El ajuste del seguro para niños permanece activo, aún si apaga la máquina.

- i** Si vuelve a encender el electrodoméstico, el seguro para niños estará activado. La puerta está trabada y no pueden efectuarse modificaciones en los ajustes. Presione el botón **Start/Pause** (5 segundos) para abrir la puerta.

Desactivar el seguro para niños

- Gire el selector de programas a la posición de encendido de la máquina.
- Presione el botón **Menu** hasta que se visualice «Seguro para niños: sí». El símbolo «**—o**» centellea.
- Presione el botón **Select** hasta que se visualiza «Seguro para niños: no».

- i** Puede conmutar el ajuste del seguro para niños solamente antes de arrancar un programa o bien en el modo «Pause».

Durante el lavado

- i** Debido al montaje complejo del electrodoméstico, pueden generarse vibraciones u oscilaciones durante el pasaje de velocidades de centrifugado bajas a otras mayores. Este comportamiento es normal debido al desplazamiento del tambor y no debe causar preocupación

Selección repetida de un programa

- Si está activo el seguro para niños, desactívelo temporalmente. Ver la página 80.
- Gire el selector de programas a **Off**.
- Gire el selector de programa a la posición del nuevo programa deseado. El indicador luminoso **Start/Pause** centellea.
- Si el seguro para niños está activo, desactívelo nuevamente de forma transitoria.
- Si hace falta, modifique los ajustes. Ver página 80.
- Presione el botón **Start/Pause**. El programa arrancará. La luz indicadora está encendida.

Agregar una prenda o interrumpir el programa

Usted puede agregar ropa en un instante posterior al comienzo del programa, quitar prendas del programa en curso, o interrumpir a éste en cualquier momento.

- i** Se recomienda no agregar ropa una vez concluida la fase de lavado.

Sin seguro para niños

- i** Usted puede agregar o quitar ropa mientras la luz indicadora **Start/Pause** centellea.
- Presione el botón **Start/Pause**. Se indican secuencialmente las leyendas siguientes: «Pausa», «Puede abrirse la puerta».
- Abra la puerta.
- Agregue o quite la ropa.
- Cierre la puerta.
- Presione el botón **Start/Pause**. El programa continúa. Se enciende la luz indicadora roja.

- i** Si está encendida la luz indicadora roja **Start/Pause**, puede interrumpirse el programa. Sin embargo, no puede abrirse la puerta por razones de seguridad (el nivel de agua, la temperatura o la velocidad de giro son demasiado altas)

- i** Si la velocidad de giro es demasiado alta, la luz indicadora roja **Start/Pause** está encendida. Puede agregarse ropa en el modo «Pausa», una vez que el tambor se ha parado.

Seguro para niños activado

- i** Refiérase a la sección de la Cerradura del Niño, (véase en la página 80).

Cancelación de un programa activo

Si usted quiere parar un programa activo y quitar la ropa:

- Presione el botón **Start/Pause** y manténgalo accionado (5 segundos) si el seguro para niños está activado.
- Si la carga está demasiado mojada, coloque el selector de programas en **Drain/Spin (Drenaje/Centrifugado)**.

- i** Si un programa fue interrumpido a temperaturas elevadas, la puerta permanece bloqueada hasta que el electrodoméstico se ha enfriado.

- i** Si el programa se interrumpe apagando el electrodoméstico, la puerta permanece cerrada.

AVISO

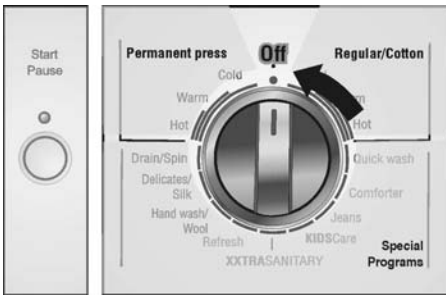
Controle de vez en cuando, si no hay objetos extraños (como monedas o broches para papel) entre el tambor y la junta de goma. **Para evitar existe peligro de oxidación.**

Después del lavado

La luz indicadora **Start/Stop** se apaga. En el display se indica: «Quite la ropa».



- Abra la puerta.



- Gire el selector de programas a **Off**.



- Cierre los grifos.



- Quite la ropa.

Instrucciones de mantenimiento para el usuario

CUIDADO

El panel de acceso ubicado en la parte inferior derecha de la lavadora, es exclusivamente para tareas de service y debe ser abierto solamente por personal debidamente autorizado y capacitado (Se puede ocultar el panel de la vista por medio de la extensión de la puerta).



Limpeza y cuidado

ADVERTENCIA

¡PARA EVITAR Existe riesgo de descargas eléctricas! Desconecte siempre el electrodoméstico del tomacorriente antes de limpiarlo. Nunca limpie la máquina de lavar con un chorro de agua a presión.

ADVERTENCIA

¡PARA EVITAR Existe riesgo de explosión! Nunca debe utilizar solventes inflamables para limpiar el electrodoméstico.

Limpeza de la carcasa y el panel de control del electrodoméstico

Si hace falta:

- ❑ Utilice agua caliente con jabón o un agente de limpieza no abrasivo.
- ❑ Friccione hasta que se seque mediante un paño suave.

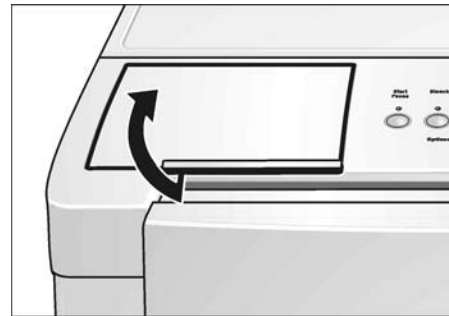
Limpeza del tambor

Si se han formado manchas de óxidos debido a objetos olvidados (como monedas, broches para papel o clavos):

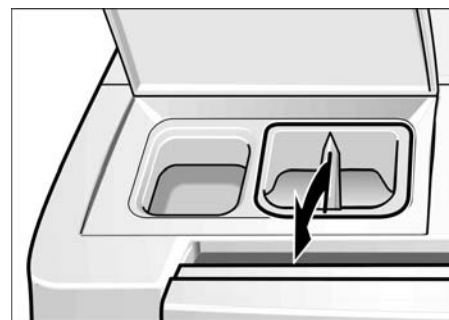
- ❑ Utilice un agente de limpieza sin cloro y siga las instrucciones del fabricante. No debe utilizarse lana de acero.

Limpeza de los compartimientos para detergente

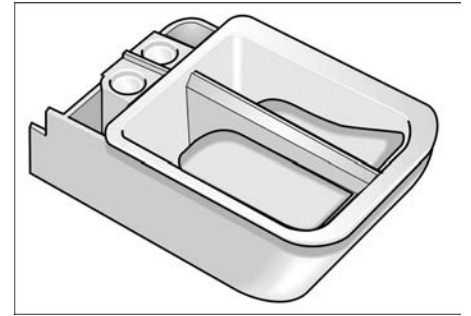
Si se han acumulado restos de detergente o aditivos o si el suavizante o blanqueador no se ha escurrido por completo:



- ❑ Abra la tapa del compartimiento para el detergente.



- ❑ Tire del compartimiento para detergente verticalmente hacia arriba y quitelo.
- ❑ Limpie el compartimiento para detergente bajo agua corriente.



- ❑ Introduzca el compartimiento para detergente en su lugar, hasta que queda fijado mediante un clic.

Limpeza de los filtros de acceso de agua

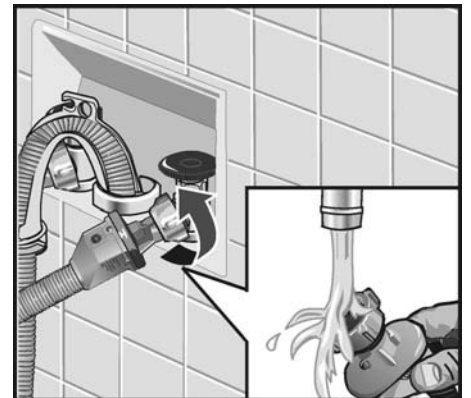
Esto es necesario si entra solo una cantidad reducida de agua o si no entra agua alguna en la máquina de lavar.

Primero deberá descargar la presión de agua en las mangueras de alimentación:

- ❑ Cierre los grifos de agua.
- ❑ Gire el selector de programas a un programa cualquiera (exceptuando **Spin** o **Drain**).
- ❑ Presione el botón **Start/Pause** y espere hasta que se visualice la leyenda «¿Grifos de agua cerrados?».
- ❑ Gire el selector de programas a **Off**.

Limpeza de el(los) filtro(s) en los grifos de agua

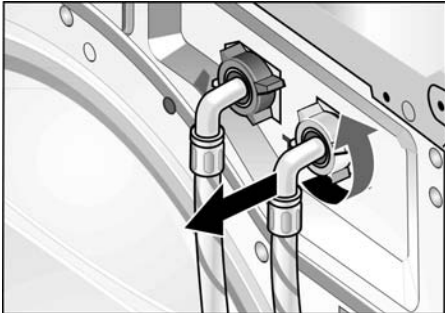
En ambos grifos de agua, tanto fría como caliente:



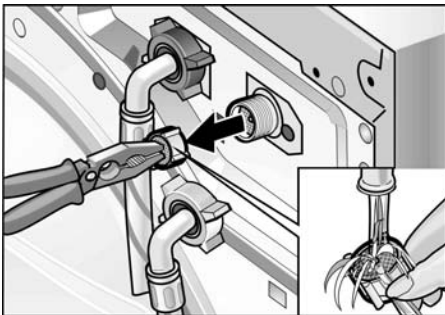
- Desconecte la manguera del grifo de agua.
- Limpie el filtro bajo agua corriente.
- Vuelva a conectar la manguera.

Limpieza de los filtros en la máquina de lavar

En ambos grifos de agua, tanto fría como caliente:



- Desconecte la manguera de la parte posterior de la máquina de lavar.



- Quitar el filtro, tirando de él y aclararlo bajo agua corriente.
- Coloque el filtro y conecte la manguera.
- Cierre los grifos de agua y controle que no haya pérdidas. Si pierde agua, controle que los filtros estén correctamente colocados.
- Cierre los grifos de agua.

Consejos respecto de la limpieza

Se recomienda hacer circular una pequeña cantidad de blanqueador a través de la lavadora cada tres meses. Sin colocar ropa en la máquina, hágala funcionar como sigue:

- Vierta una taza de blanqueador en el compartimiento para el detergente del dispensador.
- Haga funcionar el programa Regular/Cotton Hot.

Descalcificación de la máquina de lavar

AVISO

Los agentes descalcificadores contienen ácidos que atacan las partes interiores de la máquina de lavar y los colores de la ropa.

Si usted usa el detergente correcto, no es necesario descalcificar la máquina de lavar.

Si en el interior de la máquina de lavar aparecen manchas blancas, cal o depósitos minerales, puede usar un agente descalcificador para eliminarlos. Sin embargo, se recomienda seguir las instrucciones del fabricante del descalcificador, si hace falta realizar este procedimiento en el electrodoméstico.

Localización de fallos menores

ADVERTENCIA

¡Existe riesgo de descargas eléctricas!
Eventuales reparaciones debe efectuarlas exclusivamente un técnico autorizado.

Si es necesario efectuar reparaciones y usted no puede eliminar el fallo mediante la tabla siguiente:

- Gire el selector de programas a **Off**.
- Desconecte la máquina de lavar del tomacorriente.
- Cierre los grifos de agua.
- Llame al servicio para clientes (consulte la página 88).

Fallo	Causa posible	Acción a realizar
No puede abrirse la puerta.	Seguro para niños activado.	Desactive el seguro para niños. Ver página 80
	Fallo en el suministro de energía.	Un programa interrumpido de este modo, continúa cuando el suministro de energía se restablece. Si debe quitarse la ropa durante un fallo en el suministro de energía, llame al servicio para clientes (ver página 88). Espere que finalice el programa; ver página 79.
	El programa está en curso y/o la puerta está trabada debido a razones de seguridad.	Elimine la causa. Seleccione el programa.
No puede abrirse la puerta aún cuando se ha apagado y vuelto a encender el electrodoméstico.	El tomacorriente está suelto o no conectado.	Ver «Agregar ropa o interrumpir el programa» en página 81.
	El selector de programas fue girado a Off antes que el programa haya concluido.	
El programa sigue su curso, aún cuando el electrodoméstico se ha apagado y vuelto a encender.	Seguro para niños activado.	Desactive el seguro para niños. Ver página 80.
El electrodoméstico no funciona. Se indica «Seguro para niños activado» en el display.	Seguro para niños activado.	Desactive el seguro para niños. Ver página 80.
No se encienden las luces de control.	Se ha quemado un fusible.	Cambie el fusible defectuoso. Llame el servicio a clientes si vuelve a ocurrir el fallo.
	Fallo en el suministro de energía.	Un programa interrumpido de este modo, continúa cuando el suministro de energía se restablece. Si debe quitarse la ropa durante un fallo en el suministro de energía, llame al servicio para clientes (ver página 88). Presione el botón Start/Pause .
El programa no arranca. El indicador luminoso Start/Pause centellea.	No está presionado el botón correspondiente.	Presione el botón Start/Pause .
El programa no arranca. Se visualiza «¡Controle la puerta!» en el display.	La puerta no está correctamente cerrada.	Controle si hay prendas atrapadas en la puerta. Cierre la puerta (debe escucharse un clic). El programa continúa.
El programa no arranca. Se visualiza «Retraso real de tiempo» en el display.	Hora de finalización seleccionada y activada.	No es unfallo. El programa arranca automáticamente.
No puede ajustarse la hora.	Ya ha arrancado un programa. En estas condiciones no puede ajustarse la hora.	Espere a que concluya este programa.
Set clock «Ajustar la hora»: Este texto permanece en el display aún habiendo accionado el botón Menu .	El ajuste ha cambiado de horas a minutos y ambos tienen el mismo valor numérico.	No es unfallo.

No se indica hora alguna.	No fue ajustada la hora.	Ajuste la hora. Ver página 73.
No puede seleccionarse la hora de finalización.	No fue ajustada la hora. Ya ha arrancado un programa. En esta condiciones no puede seleccionarse la hora de finalización.	Ajuste la hora. Ver página 73. Seleccione la hora de finalización, antes de hacer arrancar el programa. Ver página 79.
No puede seleccionarse la velocidad de centrifugado.	Todavía está en progreso el centrifugado. Durante este proceso no puede modificarse la velocidad de centrifugado.	Seleccione la velocidad antes del centrifugado.
No puede seleccionarse el seguro para niños.	Ya ha arrancado el programa.	Puede seleccionarse el modo de seguro para niños en el modo de pausa.
Hay residuos de detergente en el compartimiento correspondiente.	El detergente está húmedo o grumoso.	Limpie y seque el compartimiento para detergente. Ver página 83. Use la medida de la botella de detergente líquido para medirlo.
No ingresa agua a la máquina o no se arrastra el detergente. "¡Revise la llave de agua!" indicada en el campo de la pantalla.	El grifo de agua está cerrado. Las mangueras de alimentación están retorcidas o perforadas. Los filtros en la alimentación de agua están obstruidos.	Abra los grifos de agua. El programa continúa. Elimine la causa. Limpie los filtros de acceso del agua. Ver página 83.
	La función de seguridad de la manguera AQUASTOP® está activada.	Revise el indicador de seguridad (ver página 69). Si se visualiza una marca roja, reemplace la manguera.
	AQUASTOP® está activada	Cierre la llave de agua e investigue si hay pérdidas.
El agua no penetra en la máquina de lavar o el detergente no es arrastrado por el agua al interior de la máquina. Se visualiza «¿Grifo de agua cerrado?» en el display.	La presión de agua es demasiado baja.	Elimine la causa.
No se ve agua en el tambor.	Esto no es un fallo. El nivel de agua está por debajo del nivel visible del tambor.	
La solución de lavado no fue correctamente evacuada. Se visualiza «¿Mucha espuma o bomba bloqueada?» en el display.	Mucha espuma o bomba bloqueada.	Utilice menos detergente en cargas posteriores. Detergentes especialmente desarrollados para su lavadora de alto rendimiento producen menos espuma y presentan las siglas "HE" en el embalaje. Limpie el tubo de descarga y/o la manguera correspondiente.
Sale agua de la parte inferior de la máquina.	La rosca de las mangueras de alimentación no está ajustada. Hay una pérdida en las mangueras.	Ajuste las roscas. Cambie la manguera de alimentación.
Sale espuma por el compartimiento para el detergente.	Puede ocurrir que la bomba no pueda evacuar totalmente la espuma si se emplea jabón en exceso o jabones que no son del tipo HE.	Mezcle una cucharadita de suavizante para ropa con 1 pt (½ litro) de agua y viértalos en el compartimiento III para detergentes. Utilice menos detergente en cargas posteriores. Detergentes especialmente desarrollados para su lavadora de alto rendimiento producen menos espuma y presentan las siglas "HE" en el embalaje.
Centrifugados repetidos.	Esto no es un fallo. El sistema de balanceo para la carga está intentando acomodar a ésta a través de diversos centrifugados.	Cargue siempre el tambor con prendas grandes y pequeñas conjuntamente.
La ropa no se centrifuga. (La ropa sucia todavía es mojada.)	Se han enredado prendas grandes y no pueden distribuirse en forma pareja dentro del tambor. Debido a ello, se suprime el centrifugado a alta velocidad, por razones de seguridad. Cargue el tamaño demasiado pequeño. Demasiado detergente.	Cargue siempre el tambor con prendas grandes y pequeñas conjuntamente. Agregue más ropa sucia. Agregue suavizante y el comienzo Refresca el ciclo.
Se prolonga la duración del programa.	Esto no es un fallo. El sistema de detección de espuma a agregado un ciclo de aclarado adicional para reducir la cantidad de espuma. Esto no es un fallo. El sistema de balanceo para la carga está intentando acomodar a ésta a través de diversos centrifugados.	Agregue una cantidad más adecuada de detergente. Cargue siempre el tambor con prendas grandes y pequeñas conjuntamente.

Resultados de lavado no satisfactorios.	El grado de suciedad es mayor que el estimado.	Seleccione el programa adecuado o Stain removal (Remoción de manchas) es una opción adicional.
	No hay suficiente detergente.	Agregue detergente según las especificaciones del fabricante del mismo.
Hay residuos de detergente en la ropa.	Algunos detergentes libre de fosfatos contienen sustancias no solubles en agua, que aparecen como pequeñas manchas en la ropa.	Cepille las manchas, una vez que la ropa está seca.
Hay residuos grises sobre la ropa.	Acumulación de suciedad sobre ungüentos, grasas o aceites.	Agregue la máxima cantidad de detergente y seleccione la mayor temperatura permitida.
El sistema vibra u oscila mientras pasa de velocidades de centrifugado menores a superiores.	El sistema de montaje del tambor puede desplazarse durante el proceso de aceleración. Esto no representa un desperfecto.	Mezcle piezas de ropa pequeñas con otras más grandes a fin de minimizar este efecto.

Indicaciones de fallos en el display

Textos que aparecen en el display	Causa posible	Acción a realizar
«¿Grifo de agua cerrado?»	El grifo de agua está cerrado.	Abra los grifos de agua. El programa continúa.
	La manguera de alimentación está doblada o retorcida.	Elimine la causa.
	El filtro en la manguera de alimentación está obstruido.	Limpie los filtros de acceso del agua. Ver página 83.
	La presión de agua es demasiado baja.	Elimine la causa.
	La función de seguridad de la manguera AQUASTOP® está activada.	Revise el indicador de seguridad (ver página 69). Si se visualiza una marca roja, reemplace la manguera.
«¿Mucha espuma o bomba bloqueada?»	Mucha espuma o bomba bloqueada.	Utilice menos detergente en cargas posteriores. Detergentes especialmente desarrollados para su lavadora de alto rendimiento producen menos espuma y presentan las siglas "HE" en el embalaje. Limpie el tubo de descarga y/o la manguera correspondiente.
«¡Controle la puerta!»	La puerta no está correctamente cerrada.	Controle si hay prendas atrapadas en la puerta. Cierre la puerta.
"AQUASTOP® está activada"	AQUASTOP® está activada	Cierre la llave de agua e investigue la pérdida.
Se detiene el programa de lavado. "Aquastop activated" (Aquastop activada) aparece indicado en el campo de la pantalla.	AQUASTOP® está activada	Ubique y solucione la pérdida. Revise todas las conexiones. Reprograme la manguera AQUASTOP® .

Si no se puede solucionar el fallo con la ayuda de la tabla anterior: apague el electrodoméstico, espere 5 segundos, vuelva a encender el electrodoméstico, seleccione el programa y póngalo en marcha.

Si el problema sigue, llame al servicio a clientes. Ver página 88.

Servicio a clientes

La máquina de lavar no requiere de otros cuidados especiales, aparte de aquellos especificados más arriba. Si usted tiene algún problema con la máquina de lavar, rogamos consultar la página 85 antes de llamar el servicio a clientes.

Si se hace necesario un servicio, póngase en contacto con su vendedor, instalador u otro centro de servicios autorizado. No intente reparar el electrodoméstico usted mismo. Cualquier trabajo realizado por personal no autorizado, hará caducar la garantía.

Si tiene problemas y no está conforma con el servicio recibido:

- rogamos, como primera medida, ponerse en contacto con su instalador o el servicio autorizado de su área, explicando a que se debe su disconformidad.
- Si después del trabajo realizado por su instalador o técnico de servicio el problema no ha sido solucionado a su satisfacción, háganoslo saber, o bien escribiendo a:

BSH Home Appliances
5551 Mc Fadden Ave.
Huntington Beach, CA 92649

O bien llámenos a:
1-800-944-2904

Tanto en caso de escribir o de llamar, infórmenos respecto del:

- Número de modelo
- Número de serie
- Fecha de compra original
- Fecha en la cual ha ocurrido el problema
- Explicación del problema

En caso que nos escriba, rogamos incluir un número telefónico diurno y una copia de la factura de compra.

Usted encontrará el número de modelo y de serie sobre la chapa de características visible cuando la puerta está abierta.

La imagen a continuación muestra la ubicación aproximada de la placa de valores nominales. El número de modelo tiene un rectángulo alrededor. El número de serie está ubicado debajo del número de modelo.

Un ejemplo es mostrado abajo.



El fabricante se reserva el derecho de realizar modificaciones al producto o al manual sin notificación.

DECLARACIÓN DE GARANTÍA LIMITADA DEL PRODUCTO

Lavadora de ropa Bosch Nexxt®

Cobertura de esta garantía y a quiénes se aplica: La garantía limitada otorgada por BSH Home Appliances Corporation (Bosch) en esta Declaración de Garantía Limitada del Producto se aplica únicamente a la lavadora de ropa (“Producto”) Bosch Nexxt® vendida a usted, el primer comprador usuario, pero estrictamente condicionada a que el producto haya sido comprado: (1) para uso doméstico (no comercial) normal y haya sido utilizado en todo momento únicamente para fines domésticos normales (cualquier uso o programación comercial del producto anula automáticamente la garantía); (2) nuevo en una tienda minorista (que no sea un producto de exhibición, ni un producto vendido “en las condiciones en que se encuentra”, ni un modelo devuelto anteriormente) comprado directamente por el consumidor final, y no esté destinado para reventa ni uso comercial; y (3) dentro de los Estados Unidos o Canadá, y permanezca en todo momento dentro del país de compra original. Las garantías incluidas en el presente se aplican únicamente al primer comprador del Producto y no son transferibles. La garantía se anula automáticamente si el Producto fue un modelo de exhibición, un producto vendido “en las condiciones en las que se encuentra”, forzado, un modelo dañado o “con ralladuras y abolladuras”, o un modelo devuelto anteriormente, un obsequio, donación caritativa o premio de un concurso.

- Asegúrese de devolver su tarjeta de registro; si bien no es necesario para hacer efectiva la cobertura de la garantía, es la mejor manera para que Bosch le notifique en el caso poco probable de que se emita un aviso de seguridad o se retire del mercado un producto.

Duración de la garantía: Bosch garantiza que el Producto no tiene defectos en los materiales ni en la mano de obra durante un período de trescientos sesenta y cinco (365) días a partir de la fecha de compra. El período precedente comienza a regir a partir de la fecha de compra y no se interrumpirá, dejará sin efecto, extenderá ni suspenderá por ningún motivo.

Reparación/reemplazo como único recurso: Durante el período de esta garantía, Bosch o uno de sus proveedores de servicio técnico autorizados reparará su Producto sin cargo para usted (con sujeción a determinadas limitaciones especificadas en el presente) si se prueba que su Producto ha sido fabricado con un defecto en los materiales o en la mano de obra. Si se ha intentado de manera razonable reparar el Producto sin éxito, Bosch reemplazará su Producto (es posible que usted tenga disponibles modelos mejorados, a entera discreción de Bosch, por un cargo adicional). Todas las piezas y los componentes extraídos serán propiedad de Bosch, a su entera discreción. Todas las piezas reemplazadas y/o reparadas se considerarán como la pieza original a los fines de esta garantía, y esta garantía no se extenderá con respecto a dichas piezas. En virtud del presente, la única y exclusiva responsabilidad y obligación de Bosch es únicamente reparar el Producto defectuoso de fábrica, a través de un proveedor de servicio técnico autorizado por Bosch durante el horario normal de oficina. Por cuestiones de seguridad y daños materiales, Bosch recomienda categóricamente que no intente reparar el Producto usted mismo ni use un centro de servicio técnico no autorizado; Bosch no tendrá responsabilidad ni obligación alguna por las reparaciones o trabajos realizados por un centro de servicio técnico no autorizado. Si usted prefiere que una persona que no es un proveedor de este servicio técnico autorizado trabaje en su Producto, ESTA GARANTÍA SE ANULARÁ AUTOMÁTICAMENTE. Los proveedores de servicio técnico autorizados son aquellas personas o compañías que han sido especialmente capacitadas para manejar los productos Bosch y que tienen, según el criterio de Bosch, una reputación superior de servicio al cliente y capacidad técnica (debe tener en cuenta que son entidades independientes y *no* son agentes, socios, afiliados ni representantes de Bosch). Sin perjuicio de lo que antecede, Bosch no tendrá responsabilidad ni obligación alguna por el Producto que se encuentre en un área remota (a más de 100 millas de un proveedor de servicio técnico autorizado) o en un lugar, área circundante o entorno que no sea accesible por medios razonables o que sea peligroso, hostil o arriesgado; en cualquier caso, a su solicitud, Bosch de todas maneras pagará por la mano de obra y las piezas, y enviará las piezas al proveedor de servicio técnico autorizado más cercano, pero usted seguirá siendo totalmente responsable por el tiempo de viaje y demás cargos especiales de la compañía de servicio técnico, suponiendo que acepte hacer la visita de servicio técnico.

Garantía limitada extendida:

DURACIÓN DE LA GARANTÍA	ALCANCE DE LA GARANTÍA
2 años de garantía limitada a partir de la fecha de compra	Bosch proveerá repuestos, sin cargo, de los componentes que se encuentren defectuosos en condiciones de uso doméstico normal durante los dos primeros años a partir de la fecha de compra, incluidos los costos normales (no acelerados) de envío y sin incluir los gastos por mano de obra.
2 años de garantía limitada para sistemas electrónicos a partir de la fecha de compra	Bosch reparará o reemplazará, sin cargo, cualquier microprocesador o tablero de circuitos impreso que se encuentre defectuoso en condiciones de uso doméstico normal durante los dos primeros años a partir de la fecha de compra, sin incluir los cargos por mano de obra.
2 años de garantía limitada para el motor a partir de la fecha de compra	Bosch reparará o reemplazará, sin cargo, cualquier motor o componente de un motor que se encuentre defectuoso en condiciones de uso doméstico normal durante los dos primeros años a partir de la fecha de compra, sin incluir los cargos por mano de obra.

Producto fuera de garantía: Bosch no tiene obligación alguna, en virtud de la ley o por otro motivo, de otorgarle ninguna concesión, incluidos reparaciones, prorrates o reemplazo del Producto, con posterioridad al vencimiento de la garantía.

Exclusiones de la garantía: La cobertura de garantía descrita en el presente excluye todos los defectos o daños que no fueron provocados directamente por Bosch, incluidos, entre otros, alguno de los siguientes: (1) uso del Producto de maneras distintas del uso normal, habitual y previsto (incluidos, entre otros, cualquier forma de uso comercial, uso o almacenamiento en exteriores de un producto diseñado para interiores, uso del Producto en aeronaves o embarcaciones); (2) conducta indebida, negligencia, uso indebido, abuso, accidentes, descuido, operación inadecuada, omisión de mantener, instalación inadecuada o negligente, adulteración, omisión de seguir las instrucciones de operación, manipulación inadecuada, servicio técnico no autorizado (incluidos “arreglos” o exploración de los mecanismos internos del electrodoméstico realizados por uno mismo) por parte de cualquier persona; (3) ajuste, alteración o modificación de cualquier tipo; (4) incumplimiento de los códigos, reglamentaciones o leyes de electricidad, plomería y/o construcción locales, municipales o de condado, incluida la omisión de instalar el producto cumpliendo estrictamente con los códigos y reglamentaciones locales de construcción y protección contra incendios; (5) desgaste habitual, derrames de alimentos, líquidos, acumulaciones de grasa u otras sustancias que se acumulen sobre, dentro o alrededor del Producto; y (6) cualquier fuerza y factor externo, elemental y/o ambiental, incluidos, entre otros, lluvia, viento, arena, inundaciones, incendios, aludes de lodo, temperaturas bajas extremas, humedad excesiva o exposición prolongada a la humedad, rayos, sobrecargas eléctricas, fallas estructurales alrededor del electrodoméstico y caso fortuito. En ningún caso, Bosch tendrá responsabilidad ni obligación alguna por los daños ocasionados a los bienes circundantes, incluidos los gabinetes, pisos, techos y demás estructuras u objetos que se encuentren alrededor del producto. También se excluyen de esta garantía las rayas, hendiduras, abolladuras menores y daños estéticos en superficies externas y piezas expuestas; productos en los cuales los números de serie hayan sido alterados, modificados o eliminados; visitas del servicio técnico para enseñarle a usar el Producto o visitas en las que se determine que no hay ningún problema con el Producto; corrección de los problemas de instalación (usted es el único responsable de cualquier estructura y soporte del Producto, incluidas las instalaciones de electricidad y plomería o demás instalaciones de conexión, de la correcta instalación en bases/pisos y de cualquier alteración, incluidos, entre otros, gabinetes, paredes, pisos, repisas, etc.); y el restablecimiento de disyuntores o fusibles. EN LA MEDIDA PERMITIDA POR LA LEY, ESTA GARANTÍA ESTABLECE SUS RECURSOS EXCLUSIVOS CON RESPECTO AL PRODUCTO, INDEPENDIENTEMENTE DE QUE LA RECLAMACIÓN SEA CONTRACTUAL O EXTRA CONTRACTUAL (INCLUIDA LA RESPONSABILIDAD OBJETIVA O LA NEGLIGENCIA), O DE CUALQUIER OTRO MODO. ESTA GARANTÍA REEMPLAZA TODAS LAS DEMÁS GARANTÍAS EXPRESAS O IMPLÍCITAS. LAS GARANTÍAS IMPLÍCITAS POR LEY, YA SEA DE COMERCIABILIDAD O APTITUD PARA UN FIN ESPECÍFICO, O DE CUALQUIER OTRO TIPO, TENDRÁN VIGENCIA ÚNICAMENTE POR EL PERÍODO DE VIGENCIA DE LA PRESENTE GARANTÍA LIMITADA EXPRESA. EN NINGÚN CASO, EL FABRICANTE SERÁ RESPONSABLE POR LOS DAÑOS CONSECUENTES, ESPECIALES, INCIDENTALES, INDIRECTOS, POR “PÉRDIDAS COMERCIALES” Y/O DAÑOS PUNITIVOS, PÉRDIDAS O GASTOS, INCLUIDOS, ENTRE OTROS, TIEMPO FUERA DEL TRABAJO, HOTELES Y/O COMIDAS EN RESTAURANTES, GASTOS DE REMODELACIÓN QUE SUPEREN LOS DAÑOS DIRECTOS, QUE DEFINITIVAMENTE HAYAN SIDO CAUSADOS DE MANERA EXCLUSIVA POR BOSCH O DE OTRO MODO. ALGUNOS ESTADOS NO PERMITEN LA EXCLUSIÓN O LIMITACIÓN DE DAÑOS INCIDENTALES O CONSECUENTES, Y ALGUNOS ESTADOS NO PERMITEN LIMITACIONES CON RESPECTO AL PLAZO DE VIGENCIA DE UNA GARANTÍA IMPLÍCITA; POR LO TANTO, ES POSIBLE QUE LAS LIMITACIONES PRECEDENTES NO SE APLIQUEN. ESTA GARANTÍA LE OTORGA DERECHOS LEGALES ESPECÍFICOS, Y TAMBIÉN PUEDEN CORRESPONDERLE OTROS DERECHOS QUE PUEDEN VARIAR SEGÚN EL ESTADO. Ningún intento de alterar, modificar o enmendar la presente garantía entrará en vigencia, a menos que fuera autorizado por escrito por un ejecutivo de BSH.

Cómo obtener el servicio técnico de la garantía: Para obtener el servicio técnico de la garantía de su Producto, debe comunicarse con el centro de servicio autorizado de Bosch más cercano.

BSH Home Appliances Corporation – 5551 McFadden Avenue, Huntington Beach, CA 92649 / 800-944-2904



Tabla de selección de los programas de lavado Nexxt 800 Serie

Lea atentamente las instrucciones de uso, cuidado e instalación antes de usar la máquina por vez primera.

BOSCH

Clase de tejidos Ténganse presentes los símbolos que figuran en las etiquetas de las prendas		Programa*	Temperatura en °F (°C)	Duración del programa (Grado de suciedad) en minutos (approx.) *			Funciones adicionales (aprox.) * (duración + / - en minutos)			Máxima carga admisible:
				Quick wash El lavado rápido para levemente soiled	Lavado normal	Presoak para manchado	Rinse plus (additional Rinse)	ECO	Stain Removal manche la eliminación	
Prendas de tejidos resistentes de algodón o lino 	tela del colorfast	Regular/Cotton Hot	125 (52)	- 14	60	+ 30	+10	+17	+28	Carga completa
	telas del non-colorfast	Regular/Cotton Warm	95 (35)						+21	
		Regular/Cotton Cold	60 (15)						+19	
Ropa sintética de algodón, tejidos sintéticos o mixtos 	tela del colorfast	Permanent Press Hot	125 (52)	- 7	55		+10	+16	+28	1/2 Carga
	telas del non-colorfast	Permanent Press Warm	95 (35)						+26	
		Permanent Press Cold	60 (15)						+24	
Ropa sintética de algodón, tejidos sintéticos o mixtos 	telas del non-colorfast	Quick wash	95 (35)				+9			1/3 Carga
Ropa sintética de algodón, tejidos sintéticos o mixtos 	telas del non-colorfast	Comforter	86 (30)	- 20	78		+14	+20	+18	Carga completa
algodón o lino 	telas del non-colorfast	Jeans	86 (30)	- 7	58		+9	+16	+26	2/3 Carga
algodón o lino 	tela del colorfast	XXTRASANITARY	170(77)		120		+11		+60	1/2 Carga
sintéticos o mixtos 	telas del non-colorfast	KIDSCARE	150 (66)	13	90	+11	+17	+48	1/2 Carga	
ropa delicada y tejidos sintéticos (Prendas voluminosas)		Delicates/Silk	90 (32)	- 6	40	+6		+ 24	1/3 Carga	
Prendas muy delicadas/Lana 		Hand Wash/Wool	75 (24)	- 5	30	+5		+ 23		

Programas adicionales

Program selector	Notes / Application	Program duration in min. (approx.) *
Refresh	Ponga en cotocircuito el ciclo de la acalración seguido por una vuelta.	15
Drain/Spin	Ciclo de centrifugado para centrifugar ropa lavada a mano. La bomba de drenaje funciona antes y durante el centrifugado.	9

* La duración efectiva de los programas puede divergir de los valores reseñados en función de la presión y la calidad del agua de red, la clase y cantidad de las prendas cargadas en la máquina, así como el detergente empleado.



Program selection table Nexxt 800 Series

Please read and observe Operating, Care and Installation Instructions carefully before using the washing machine !

BOSCH

Type of laundry Check care labels on article!		Program*	Temperature in °F (°C)	Program duration (soil conditions) Time in min. (approx.) *			Additional options (approx.) * (+ / - Time in min)			Maximum amount of laundry:
				Quick wash for lightly soiled	Regular soiled	Presoak for stained	Rinse plus (additional Rinse)	ECO	Stain Removal	
cotton or linen 	colorfast fabrics	Regular/Cotton Hot	125 (52)	- 14	60	+ 30	+10	+17	+28	full load
	non-colorfast fabrics	Regular/Cotton Warm	95 (35)					+21		
		Regular/Cotton Cold	60 (15)					+19		
synthetics or blends 	colorfast fabrics	Permanent Press Hot	125 (52)	- 7	55		+10	+16	+28	1/2 load
	non-colorfast fabrics	Permanent Press Warm	95 (35)						+26	
		Permanent Press Cold	60 (15)						+24	
synthetics or blends 	non-colorfast fabrics	Quick wash	95 (35)		20		+9			1/3 load
synthetics or blends 	non-colorfast fabrics	Comforter	86 (30)	- 20	78		+14	+20	+18	full load
cotton or linen 	non-colorfast fabrics	Jeans	86 (30)	- 7	58		+9	+16	+26	2/3 load
cotton or linen 	colorfast fabrics	XXTRASANITARY	170(77)		120		+11		+60	1/2 load
Synthetics or blends 	non-colorfast fabrics	KIDSCARE	150 (66)	13	90	+11	+17	+48	1/2 load	
Delicate easy care items (Bulky items)		Delicates/Silk	90 (32)	- 6	40	+6		+ 24	1/3 load	
Very delicate easy care items 		Hand Wash/Wool	75 (24)	- 5	30	+5		+ 23		

Additional Programs

Program selector	Notes / Application	Program duration in min. (approx.) *
Refresh	Short rinse cycle followed by a spin.	15
Drain/Spin	Spin cycle for spinning hand-washed laundry. Drain pump operates prior to and during spinning.	9

* Actual program duration may be different from the indicated values depending on water supply and quality, type and amount of load and detergent, as well as other factors.