

# Gas Cooktop

Use and Care Manual

NGM5456UC



**BOSCH**

Invented for life



# Table of Contents

<b>Safety Definitions</b> .....	<b>2</b>	<b>Operation</b> .....	<b>10</b>
<b>IMPORTANT SAFETY INSTRUCTIONS</b> .....	<b>3</b>	About the Appliance .....	10
Gas Appliance Safety .....	3	Getting the most out of your appliance .....	11
Fire Safety .....	4	<b>Cleaning and Maintenance</b> .....	<b>12</b>
Gas Safety .....	4	Cleaning .....	12
Burn Prevention .....	5	Cleaning Guidelines .....	12
Child Safety .....	5	Maintenance .....	13
Cleaning Safety .....	5	<b>Service</b> .....	<b>14</b>
Cookware Safety .....	6	Before Calling for Service .....	14
Proper Installation and Maintenance .....	6	Product Rating Label .....	14
State of California Proposition 65 Warning: .....	6	<b>STATEMENT OF LIMITED PRODUCT WARRANTY</b> ..	<b>15</b>
<b>Getting Started</b> .....	<b>7</b>	What this Warranty Covers & Who it Applies to .....	15
Before Using the Appliance for the First Time .....	7	How Long the Warranty Lasts .....	15
Parts and Accessories .....	7	Repair/Replace as Your Exclusive Remedy .....	15
Sealed burners .....	8	Out of Warranty Product .....	15
Burner Cap and Burner Base Placement .....	8	Warranty Exclusions .....	15
Install Burner Grates .....	9		
Control Knobs .....	9		

This Bosch Appliance is made by  
BSH Home Appliances Corporation  
1901 Main Street, Suite 600  
Irvine, CA 92614

Questions?

1-800-944-2904

[www.bosch-home.com/us](http://www.bosch-home.com/us)

We look forward to hearing from you!

## Safety Definitions

---

### **▲ WARNING**

---

This indicates that death or serious injuries may occur as a result of non-observance of this warning.

---

---

### **▲ CAUTION**

---

This indicates that minor or moderate injuries may occur as a result of non-observance of this warning.

---


**NOTICE:** This indicates that damage to the appliance or property may occur as a result of non-compliance with this advisory.

**Note:** This alerts you to important information and/or tips.

# **IMPORTANT SAFETY INSTRUCTIONS**

READ AND SAVE THESE INSTRUCTIONS

## **Gas Appliance Safety**

 **WARNING:** If the information in these instructions is not followed exactly, a fire or explosion may result causing property damage, personal injury or death.

- Do not store or use gasoline or other flammable vapors and liquids in the vicinity of this or any other appliance.
- **WHAT TO DO IF YOU SMELL GAS**
  - Do not try to light any appliance.
  - Do not touch any electrical switch.
  - Do not use any phone in your building.
  - Immediately call your gas supplier from a neighbor's phone. Follow the gas supplier's instructions.
  - If you cannot reach your gas supplier, call the fire department.
- Installation and service must be performed by a qualified installer, service agency or the gas supplier.

# **IMPORTANT SAFETY INSTRUCTIONS**

## READ AND SAVE THESE INSTRUCTIONS

**IMPORTANT:** SAVE THESE INSTRUCTIONS FOR THE LOCAL ELECTRICAL INSPECTOR'S USE.

**INSTALLER:** LEAVE THESE INSTRUCTIONS WITH THE UNIT FOR THE OWNER.

**OWNER:** PLEASE RETAIN THESE INSTRUCTIONS FOR FUTURE REFERENCE.

---

### **WARNING**

---

When properly cared for, your new appliance has been designed to be safe and reliable. Read all instructions carefully before use. These precautions will reduce the risk of burns, electric shock, fire and injury to persons. When using kitchen appliances, basic safety precautions must be followed including those in the following pages.

---

### **Fire Safety**

Save these instructions.

Set the burner control so that the flame does not extend beyond the bottom of the pan.

Do not allow aluminum foil, plastic, paper or cloth to come in contact with a hot surface element, burner or grate. Do not allow pans to boil dry.

If the cooktop is near a window, forced air vent or fan, be certain that flammable materials such as window coverings do not blow over or near the burners or elements. They could catch on fire.

Always have a working smoke detector near the kitchen.

Never leave the cooktop unattended when in use. Boilovers cause smoking and greasy spillovers may ignite.

---

### **WARNING**

---

TO REDUCE THE RISK OF A GREASE FIRE:

- a.** Never leave surface units unattended at high settings. Boilovers cause smoking and greasy spillovers that may ignite. Heat oils slowly on low or medium settings.
  - b.** Always turn hood ON when cooking at high heat or when flambéing food (i.e. Crêpes Suzette, Cherries Jubilee, Peppercorn Beef Flambé).
  - c.** Clean ventilating fans frequently. Grease should not be allowed to accumulate on fan or filter.
  - d.** Use proper pan size. Always use cookware appropriate for the size of the surface element.
- 

In the event that personal clothing or hair catches fire, drop and roll immediately to extinguish flames.

Smother flames from food fires other than grease fires with baking soda. Never use water on cooking fires.

Take care that drafts like those from fans or forced air vents do not push the flames so that they extend beyond the edges of the pan.

Have an appropriate fire extinguisher available, nearby, highly visible and easily accessible near the appliance.

---

### **WARNING**

---

TO REDUCE THE RISK OF INJURY TO PERSONS IN THE EVENT OF A GREASE FIRE, OBSERVE THE FOLLOWING:

- a.** SMOTHER FLAMES with a close-fitting lid, cookie sheet, or metal tray, then turn off the burner. BE CAREFUL TO PREVENT BURNS. If the flames do not go out immediately, EVACUATE AND CALL THE FIRE DEPARTMENT.
  - b.** NEVER PICK UP A FLAMING PAN – You may be burned.
  - c.** DO NOT USE WATER, including wet dishcloths or towels – a violent steam explosion will result.
  - d.** Use an extinguisher ONLY if:
    - You know you have a Class ABC extinguisher, and you already know how to operate it.
    - The fire is small and contained in the area where it started.
    - The fire department is being called.
    - You can fight the fire with your back to an exit.
- 

During a power failure, only the cooktop burners can be lit manually.

Whenever possible, do not operate the ventilation system during a cooktop fire. However, do not reach through fire to turn it off.

### **Gas Safety**

To prevent carbon monoxide build-up, do not block appliance air vents.

Have the installer show you where the gas shut-off valve is located.

For proper burner performance, keep igniters clean and dry.

If a burner goes out and gas escapes, open windows and doors. Wait until gas dissipates before using the appliance.

---

### **WARNING**

---

All igniters spark when any single burner is turned on. Do not touch any of the burners when the cooktop is in use.

---

If you smell gas, your installer has not done a proper job of checking for leaks. If the connections are not perfectly tight, you can have a small leak and, therefore, a faint smell. If you smell gas, immediately shut off the unit and contact an authorized service technician to diagnose the issue. See Warning, → "Gas Appliance Safety" on page 3

# **IMPORTANT SAFETY INSTRUCTIONS**

## READ AND SAVE THESE INSTRUCTIONS

---

### **WARNING**

To prevent flare-ups all grates must be properly positioned on the cooktop whenever the cooktop is in use. Each of the feet must be placed into the corresponding dimples in the cooktop. Do not use a grate if the rubber feet are missing or damaged.

---

Keep the igniter ports clean for proper lighting performance of the burners. It is necessary to clean these when there is a boilover or when the burner does not light even though the electronic igniters click.

---

### **WARNING**

To prevent flare-ups do not use the cooktop without all burner caps and all burner grates properly positioned.

---

### **WARNING**

Do not clean or touch any of the burners when an extra low burner (if equipped) is in use. When the extra low burner automatically reignites the ignitor at the burner will spark.

---

### **WARNING**

Use this appliance only for its intended use as described in this manual. NEVER use this appliance as a space heater to heat or warm the room. Doing so may result in carbon monoxide poisoning and overheating the appliance. Never use the appliance for storage.

---

## **Burn Prevention**

DO NOT TOUCH SURFACE UNITS OR AREAS NEAR UNITS - Surface units may be hot even though they are dark in color. Areas near surface units may become hot enough to cause burns. During and after use, do not touch, or let clothing, potholders, or other flammable materials contact surface units or areas near units until they have had sufficient time to cool. Among these areas are the cooktop and areas facing the cooktop.

Do not heat or warm unopened food containers. Build-up of pressure may cause the container to burst and cause injury.

Always turn hood ON when cooking at high heat or when flambéing food (i.e. Crêpes Suzette, Cherries Jubilee, Peppercorn Beef Flambe).

Use high heat settings on the cooktop only when necessary. To avoid bubbling and splattering, heat oil slowly on no more than a low-medium setting. Hot oil is capable of causing extreme burns and injury.

Never move a pan of hot oil, especially a deep fat fryer. Wait until it is cool.

Secure all loose garments, etc. before beginning. Tie long hair so that it does not hang loose, and do not wear loose fitting clothing or hanging garments, such as ties, scarves, jewelry, or dangling sleeves.

## **Child Safety**

When children become old enough to use the appliance, it is the responsibility of the parents or legal guardians to ensure that they are instructed in safe practices by qualified persons.

Do not allow anyone to climb, stand, lean, sit, or hang on any part of an appliance, especially a door, warming drawer, or storage drawer. This can damage the appliance, and the unit may tip over, potentially causing severe injury.

Do not allow children to use this appliance unless closely supervised by an adult. Children and pets should not be left alone or unattended in the area where the appliance is in use. They should never be allowed to play in its vicinity, whether or not the appliance is in use.

---

### **CAUTION**

Items of interest to children should not be stored in an appliance, in cabinets above an appliance or on the backsplash. Children climbing on an appliance to reach items could be seriously injured.

---

## **Cleaning Safety**

**IMPORTANT SAFETY NOTICE:** The California Safe Drinking Water and Toxic Enforcement Act requires the Governor of California to publish a list of substances known to the state to cause cancer, birth defects or other reproductive harm, and requires businesses to warn customers of potential exposure to such substances. The burning of gas cooking fuel and the elimination of soil during self-cleaning can generate some by-products which are on the list. To minimize exposure to these substances, always operate this unit according to the instructions contained in this booklet and provide good ventilation.

---

### **WARNING**

The burning of gas cooking fuel can create small amounts of Carbon Monoxide, Benzene, Formaldehyde and Soot. To minimize exposure to these substances the burners should be adjusted by a certified installer or agency to ensure proper combustion. Ensure proper ventilation with an open window or use a ventilation fan or hood when cooking with gas. Always operate the unit according to the instructions in this manual.

---

# **IMPORTANT SAFETY INSTRUCTIONS**

## READ AND SAVE THESE INSTRUCTIONS

After a spill or boilover, turn off the burner and allow the cooktop to cool. Clean around the burner and burner ports. After cleaning, check for proper operation.

Do not clean the appliance while it is still hot. Some cleaners produce noxious fumes when applied to a hot surface. Wet clothes and sponges can cause burns from steam.

### **Cookware Safety**

Hold the handle of the pan when stirring or turning food. This helps prevent spills and movement of the pan.

Use Proper Pan Size.

The use of undersized cookware will expose a portion of the heating element or burner to direct contact and may result in ignition of clothing. Select cookware having flat bottoms large enough to cover the surface heating unit. This appliance is equipped with one or more surface units of different size. Proper relationship of cookware to heating element or burner will also improve efficiency.

Always position handles of utensils inward so they do not extend over adjacent work areas, burners, or the edge of the cooktop. This reduces the risk of fires, spills and burns.

Adjust burner flame size so that it does not extend beyond the edge of the cookware. Proper relationship of cookware to burner flame reduces safety risks.

Use only certain types of glass, heatproof glass, ceramic, earthenware, or other glazed utensils that are suitable for cooktop use.

### **Proper Installation and Maintenance**

Have the installer show you the location of the circuit breaker or fuse. Mark it for easy reference.

This appliance must be properly installed and grounded by a qualified technician. Connect only to properly grounded outlet. Refer to Installation Instructions for details.

This appliance is intended for normal family household use only. It is not approved for outdoor use. See the Statement of Limited Product Warranty. If you have any questions, contact the manufacturer.

Do not store or use corrosive chemicals, vapors, flammables or nonfood products in or near this appliance. It is specifically designed for use when heating or cooking food. The use of corrosive chemicals in heating or cleaning will damage the appliance and could result in injury.

---

### **WARNING**

---

Failure to operate knobs properly may result in personal injury and damage to the appliance.

---

This appliance is not intended for operation with an external time switch or external remote control.

Do not operate this appliance if it is not working properly, or if it has been damaged. Contact an authorized servicer.

Do not repair or replace any part of the appliance unless specifically recommended in this manual. Refer all servicing to a factory authorized service center.

To avoid electrical shock hazard, before servicing the appliance, switch power off at the service panel and lock the panel to prevent the power from being switched on accidentally.

### **State of California Proposition 65 Warning:**

---

#### **WARNING**

---

This product can expose you to chemicals including vinyl chloride, which is known to the State of California to cause cancer and birth defects or other reproductive harm. For more information go to [www.P65Warnings.ca.gov](http://www.P65Warnings.ca.gov).

---

**Note:** IMPORTANT SAFETY NOTICE: The California Safe Drinking and Toxic Enforcement Act requires the Governor of California to publish a list of substances known to the state to cause cancer, birth defect or other reproductive harm, and requires businesses to warn customers of potential exposure to such substances. The burning of gas cooking fuel and the elimination of soil during self-cleaning can generate small amounts of carbon monoxide. The fiberglass insulation in Self Clean ovens gives off very small amounts of formaldehyde during the first several cleaning cycles. California lists formaldehyde as a potential cause of cancer. Carbon monoxide is a potential cause of reproductive toxicity. Exposure to these substances can be minimized by:

1. Providing good ventilation when cooking with gas.
2. Operating the unit according to the instructions in this manual.

# Getting Started

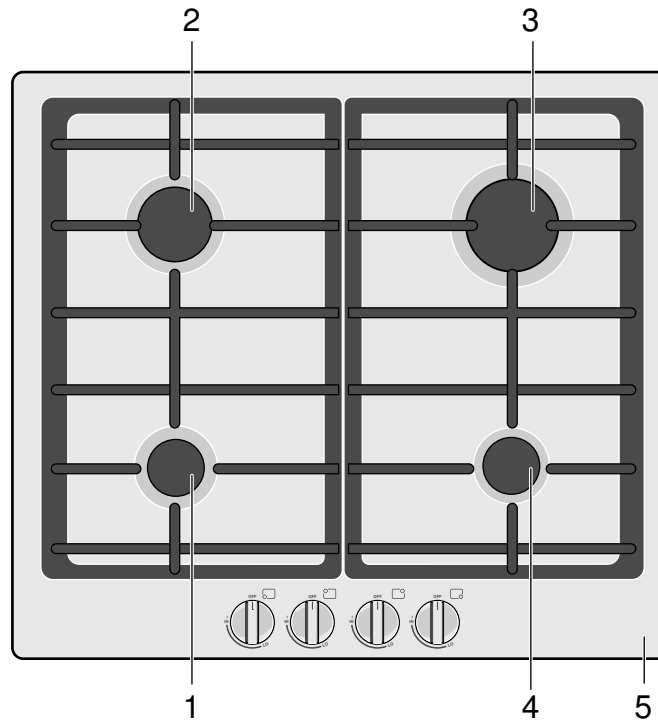
## Before Using the Appliance for the First Time

- Remove all packing materials and literature from the cooktop surface.
- Wipe with a clean, damp sponge and dry.
- There may be a slight odor during the first several uses. This is normal and will disappear.

- Optimum cooking results depend on the proper cookware being selected and used. See “Choosing Cookware - Cookware Recommendations”.
- Read all safety precautions and Use and Care Manual information prior to operating.

## Parts and Accessories

NGM5456UC



1	Left front burner (5,000 BTUs/1.47 kW)
2	Left rear burner (9,300 BTUs/2.72 kW)
3	Right rear burner (11,500 BTUs/3.37 kW)
4	Right front burner (5,000 BTUs/1.47 kW)
5	Serial Number/Data Plate location (right front underneath)

## Sealed burners

Your new cooktop has sealed gas burners. There are no burner parts under the cooktop to clean, disassemble or adjust. Your cooktop has three different burner sizes: small, medium, and large.

### Burner Cap and Burner Base Placement

---

#### ▲ WARNING

---

To prevent flare-ups, do not use the cooktop without all burner caps and all burner grates properly positioned.

---

---

#### ▲ WARNING

---

To prevent burns, do not touch burner caps or grates while hot. Turn the cooktop off and allow the burners to cool.

---

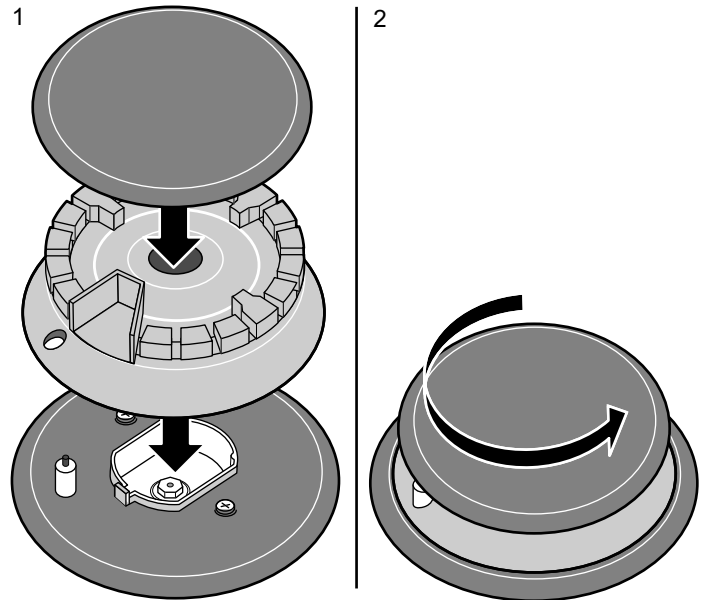
The burner caps must be properly placed for the cooktop to function properly. If the burner cap is not properly placed, one or more of the following problems may occur:

- Burner flames are too high.
- Flames shoot out of burners.
- Stainless steel discolors.
- Burners do not ignite.
- Burner flames light unevenly.
- Burner emits gas odor.

### Burner Cap and Burner Base Placement

- After electrical connection is complete, place each burner base on the corresponding location on the cooktop. One of the three bars on the burner base should line up with the notch and prevent the base from rotating. The small hole or cutout near the edge should also line up with the igniter. Pay special attention to avoid damaging the igniter during installation of the base. See Illustration below.
- Once each base is located and resting evenly, place each burner cap on its correct burner base. See Illustration.

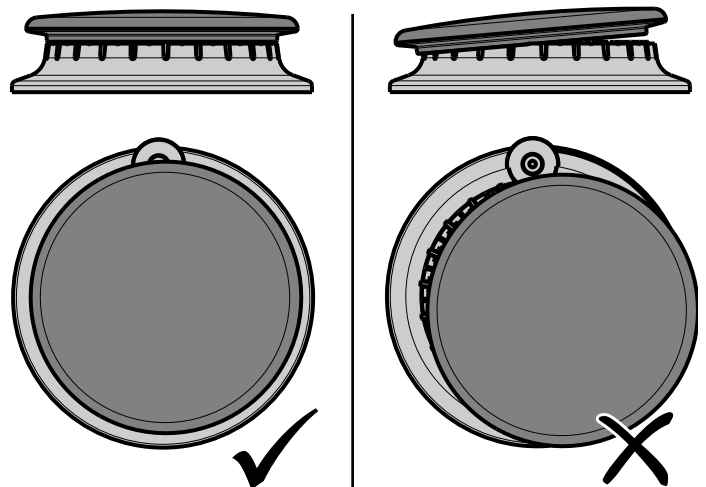
- Place burner cap gently on top of base so that the prongs of the burner base fit snugly into the groove of the burner cap.
- If the maintop is removed by a certified installer (for example to check electrical or piping connection) the panhead screws that were removed must be re-installed to ensure proper functionality of burners.



### Placing Burner Caps and Bases

#### Checking Burner Cap Placement

- Check to make sure that there is no gap between the burner cap and burner base. See illustration below for correct and incorrect placements of the burner cap.
- You may gently try to move the burner cap from side to side to check if it is properly placed. If properly placed, the cap will click from side to side as the prongs hit the groove ridge.

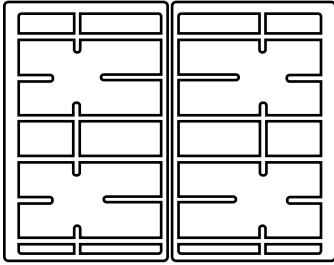


### Checking Burner Cap Placement



## Install Burner Grates

Properly position and install each burner grate as shown in the illustration below.



### 24" 4 Burner

---

#### ▲ WARNING

---

To prevent flare-ups, properly support pots and avoid spills, all grates must be properly positioned on the cooktop whenever the cooktop is in use. Do not use a grate if the rubber feet are missing or damaged.

---

**For replacement of rubber feet:** Call Customer Support at 1-800-944-2904.

## Control Knobs

The cooktop has one control knob for each burner. Push down and turn to the left to light and set the desired heat setting.

---

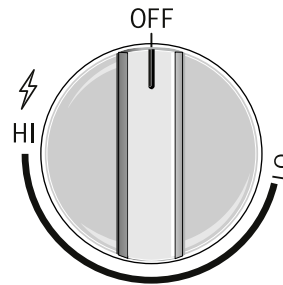
#### ▲ WARNING

---

Failure to operate knobs properly may result in personal injury and damage to the appliance.

---

The cooktop has standard burner controls and rubber grommets.



The standard burner controls have an infinite number of heat settings.

**To operate:** Select the appropriate control knob, push down and turn counterclockwise to the desired flame size. Turn off by turning the control knob clockwise to **OFF**.

#### Control Knob Removal

**To remove knob and/or grommet:** With control knob in the **OFF** position, gently lift knob up and off. Gently pull the grommet from the sides and lift out.

---

#### ▲ WARNING

---

To avoid possible electric shock, do not reach through control opening into rough-in box.

---

---

#### ▲ WARNING

---

Do not use the appliance without the knobs and grommets in place.

---

**To replace knob and/or grommet:** Carefully insert the grommet into the opening, ensuring that the maintop is seated in the track around the entire perimeter of the grommet. Replace control knob by placing indicator line at the **OFF** position. Press down firmly.

# Operation

## About the Appliance

Use the cooktop for surface cooking applications such as boiling, frying, simmering, steaming and sautéing.

---

### ▲ WARNING

The burning of gas cooking fuel can create small amounts of carbon monoxide, benzene, formaldehyde and soot. To minimize exposure to these substances, the burners should be adjusted by a certified installer or authorized servicer to ensure proper combustion. Ensure proper ventilation with an open window or use a ventilation fan or hood when cooking with Gas. Always operate the unit according to the instructions in this manual.

---

### Normal Operation - Electronic Ignition/Reignition

The cooktop uses electronic igniters to light the burners. There is no pilot light. Each burner has its own igniter. If a burner flame blows out during use, the burner will automatically reignite.

---

### ▲ CAUTION

To avoid possible injury or damage to the appliance, ensure grates are installed exactly per installation instructions and not backwards or upside down.

---

The igniter should be clean and dry for proper operation.

- Avoid getting water or food on the igniter.
- If the igniter is wet or soiled, it may spark without igniting the burner, or even spark continuously when a flame is present.

**Note:** If the burner does not light within 4 seconds, turn the burner off. Check to see that the burner cap is positioned correctly on the burner base and the igniter is clean and dry. If a burner still fails to ignite, see "Before Calling for Service".

When a flame is present and a Low setting is used, the igniter may occasionally spark. This is normal.

---

### ▲ CAUTION

To avoid possible injury or damage to the appliance, ensure grates are installed exactly per installation instructions and not backwards or upside down.

---

## Typical Flame Characteristics

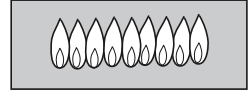
The burner flame should be blue in color and stable with no yellow tips, excessive noise or fluttering. It should burn completely around the burner cap.

### Checking Flame Characteristics:

---

#### Yellow flames:

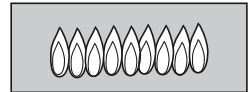
Further adjustment is required.



---

#### Yellow tips on outer cones:

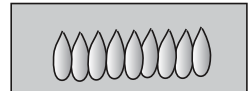
Normal for LP Gas.



---

#### Soft blue flames:

Normal for Natural Gas.



- If the flame is completely or mostly yellow, verify that the regulator is set for the correct fuel. After adjustment, retest.
- Some yellow streaking is normal during the initial start-up. Allow unit to operate 4 to 5 minutes and re-evaluate before making adjustments.
- Foreign particles in the gas line may cause an orange flame during initial use. This should disappear with use. Check burner to make sure port holes are not obstructed. If the ports are clogged. → "Before Calling for Service" on page 14

**Note:** An audible "pop" may be heard when the burner is turned off manually. The "popping" may be louder with LP gas than with natural gas. This is normal.

## Getting the most out of your appliance

### Cooking suggestions for best results

- Boil water in covered pot on High using largest burner for best results. If water boils over, turn to a lower setting.
- When simmering, bring food to a boil first. Stir well to be sure all the food is boiling, then cover and reduce the flame to the desired setting to simmer.
- There should be steam and slight quivering of the liquid's surface while simmering.
- Use a lid to keep a more constant cooking temperature and heat food faster.
- Check the food occasionally to see if the control knob should be turned to a lower or higher setting.
- It is normal to stir food occasionally.
- Center the pan over the burner before turning the burner on.
- Use proper cookware. → *"Proper Cookware" on page 11*
- Refer to the settings recommendations in the following chart for suggested settings.

### Choosing Suitable Cookware

#### Cookware Recommendations

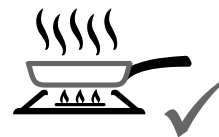
##### Pan Bottom Diameter

- The flame should be the same size as the bottom of the pan or smaller.
- Do not use small pans with high flame settings as the flames can lick up the sides of the pan.
- Oversize pans that span two burners are placed front to back, not side to side.
- For best cooking results, large pans should not extend over the sides of the grates.



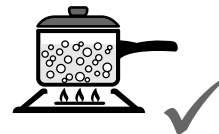
##### Use Balanced Pans

- Balance is important for stability and even cooking.
- Pans must sit level on the cooktop grate without rocking or wobbling.
- Center pan over burner.



##### Proper Fitting Lid

- A well-fitting lid helps shorten the cooking time.
- For best cooking results, always use a lid when boiling water.



### Specialty cookware

- Pans that span 2 burners, i.e. griddles, roasters and fish poachers, may be used when placed front to back. Adjust flame equally to cook evenly.

### Settings recommendations

Uses	Heat setting
Boiling (i.e. water, stock, etc.)	High
Pan frying, sautéing, browning meat, deep frying	Medium High
Shallow frying, eggs, pancakes, bacon	Medium
Steaming, braising	Medium Low
Melting chocolate, melting butter, simmering sauces, soups and stews (i.e. tomato sauce, alfredo sauce, beef stew, etc.)	Low

### Proper Cookware

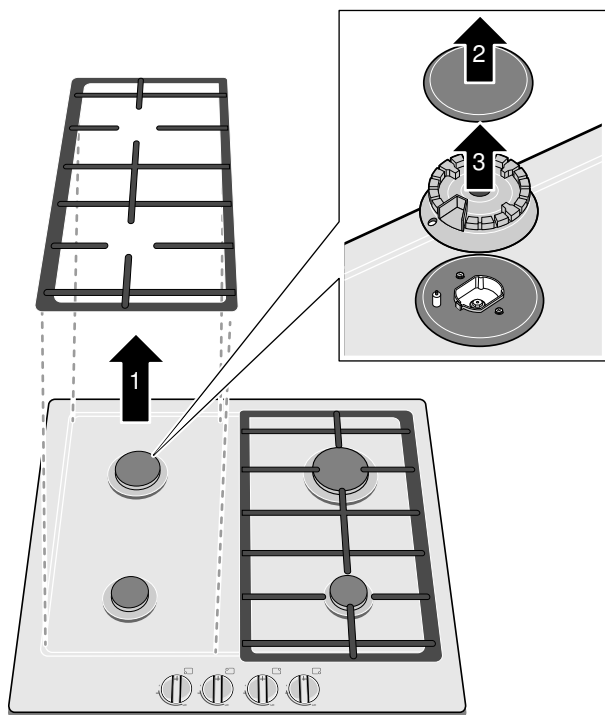
- Aluminum or copper bottomed pans conduct heat evenly.
- Steel pans, if not combined with other metals, may cook unevenly.
- Cast-iron cookware absorbs heat slowly and cooks more evenly at low-to-medium settings.
- Flat heavy bottom pans provide even heat and stability.
- DO NOT USE pans that are thin, warped, dented or ridged as they heat unevenly.

- Use a Wok with a flat bottom.
- Canners and pressure cookers must meet the same requirements as described above. After bringing contents to a boil, use lowest heat setting possible to maintain a boil or pressure (for pressure canners/cookers).

# Cleaning and Maintenance

## Cleaning

The entire cooktop can be safely cleaned by wiping with a soapy sponge, then rinsing and drying. If stubborn soil remains, follow the recommended cleaning methods below.



## Cleaning recommendations:

- Always use the mildest cleaner that will do the job. Use clean, soft cloths, sponges or paper towels.
- Rub stainless steel finishes in the direction of the grain. Wipe area dry to avoid water marks.
- Before cleaning, be certain the burners are turned off and the grates and burners are cool.
- Do not clean removable cooktop parts in any self cleaning oven or dishwasher.
- After cleaning, place all parts in their proper positions before using cooktop.
- For proper burner performance, keep igniters clean and dry.
- Keep the igniter ports clean for proper lighting performance of the burners. It is necessary to clean these when there is a boilover or when the burner does not light even though the electronic igniters click.
- Do not use flammable cleansers such as lighter fluid.

## ▲ CAUTION

All igniters spark when any single burner is turned on. Do not touch any of the burners when the cooktop is in use.

## Cleaning Guidelines

The cleaners recommended below and on the following page indicate a type and do not constitute an endorsement of a particular brand. Use all products according to package directions.

Cooktop part / material	Suggested cleaners	Important reminders
Burner base / aluminum alloy	<ul style="list-style-type: none"> <li>• Detergent and hot water; rinse and dry.</li> <li>• Stiff nylon bristle tooth brush to clean port openings.</li> <li>• Abrasive cleansers: Brillo® or S.O.S.® pads. Rinse and dry.</li> </ul>	<ul style="list-style-type: none"> <li>• Do not scratch or gouge the port openings.</li> <li>• Clean ports with a wire or straightened paper clip.</li> <li>• Do not use a toothpick that may break off.</li> <li>• Do not soak burner bases.</li> </ul>
Burner cap / porcelain enamel	<ul style="list-style-type: none"> <li>• Hot sudsy water; rinse and dry thoroughly.</li> <li>• Nonabrasive Cleansers: Ammonia, Fantastic®, Formula 409®.</li> <li>• Mild Abrasive Cleansers: Bon Ami®, Ajax®, Comet®.</li> <li>• Liquid cleaners: Kleen King®, Soft Scrub®.</li> <li>• For food stains, use an abrasive cleanser such as, Zud® or Bar Keepers Friend®.</li> <li>• Reassemble. Make sure that the cap is seated on the base.</li> </ul>	<ul style="list-style-type: none"> <li>• Acidic and sugar-laden spills deteriorate the porcelain enamel.</li> <li>• Remove soil immediately after unit has cooled enough to touch.</li> <li>• Do not use wet sponge or towel on hot porcelain.</li> <li>• Do not soak burner caps.</li> <li>• Always apply minimal pressure with abrasive cleaners.</li> <li>• Dry thoroughly after cleaning.</li> </ul>

<b>Cooktop part / material</b>	<b>Suggested cleaners</b>	<b>Important reminders</b>
Control knobs and grommets	<ul style="list-style-type: none"> <li>• Hot sudsy water; rinse and dry immediately.</li> <li>• To remove grommets, see “Burner Control Knob Removal”.</li> <li>• To remove knobs, lift straight up.</li> </ul>	<ul style="list-style-type: none"> <li>• Do not soak knobs or grommets.</li> <li>• Do not use abrasive scrubbers or cleansers, such as Bon Ami®, Ajax®, or Comet®. They may permanently damage the finish or remove graphics.</li> <li>• Do not pull on grommet when removing or replacing.</li> </ul>
Exterior finish / stainless steel	<ul style="list-style-type: none"> <li>• Nonabrasive Cleaners: Hot water and detergent, Fantastic®, Formula 409®. Rinse and dry immediately.</li> <li>• Cleaner Polish: Stainless Steel Magic® to protect the finish from staining and pitting; enhances appearance.</li> <li>• Hard water spots: Household white vinegar.</li> <li>• Mild Abrasive Cleaners: Kleen King Stainless Steel liquid cleaner, Bon Ami®.</li> <li>• Heat discoloration: Bar Keepers Friend®</li> </ul>	<ul style="list-style-type: none"> <li>• Do not use steel wool pads. They will scratch the surface.</li> <li>• Stainless steel resists most food stains and pit marks providing the surface is kept clean and protected.</li> <li>• Never allow food stains or salt to remain on stainless steel for any length of time.</li> <li>• Rub lightly in the direction of the grain.</li> <li>• Chlorine or chlorine compounds in some cleaners are corrosive to stainless steel. Check ingredients on label before using.</li> </ul>
Grates and grate bridge / porcelain enamel on cast iron	<ul style="list-style-type: none"> <li>• Nonabrasive cleaners: Hot water and detergent, Fantastic®, Formula 409®. Rinse and dry immediately.</li> <li>• Mild abrasive cleaners: Bon Ami® and Soft Scrub®.</li> <li>• Abrasive cleaners for stubborn stains: soap-filled steel wool pad.</li> </ul>	<ul style="list-style-type: none"> <li>• The grates are heavy; use care when lifting. Place on a protected surface for cleaning.</li> <li>• Blisters/ crazing/ chips are common due to the extreme temperatures on grate fingers and rapid temperature changes.</li> <li>• Acidic and sugar-laden spills deteriorate the enamel. Remove soil immediately after unit has cooled enough to touch.</li> <li>• Abrasive cleaners, used too vigorously or too often can eventually mar the enamel.</li> <li>• Do not clean in a self-clean oven.</li> </ul>
Igniters / ceramic	<ul style="list-style-type: none"> <li>• Carefully wipe with a cotton swab dampened with water, ammonia or Formula 409®.</li> <li>• Gently scrape soil off with a toothpick.</li> </ul>	<ul style="list-style-type: none"> <li>• Avoid excess water on the igniter. A damp igniter will prevent burner from lighting.</li> <li>• Remove any lint that may remain after cleaning.</li> </ul>

## **Maintenance**

The appliance requires only regular cleaning for proper operation. No other maintenance is required.

For detailed instructions see → *"Cleaning and Maintenance"* on page 12

# Service

## Before Calling for Service

Before calling customer service, consider the suggestions and instructions below:

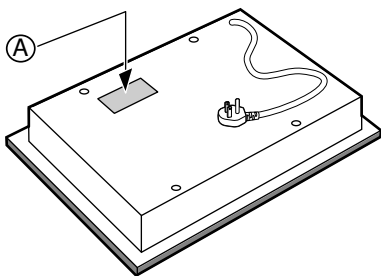
### ⚠ CAUTION

Repairs should only be done by an authorized servicer.  
Improper repair of your appliance may result in risk of severe physical injury or death.

Problem	Suggestion
Burner(s) do not light / igniters do not spark	<ul style="list-style-type: none"><li>• Make sure that the gas shut off valve is in the "ON" position and the gas supply to the house is not shut off.</li><li>• Make sure the burner caps and burner bases and the burner ports are not clogged. Clear ports with a wire or straightened paper clip if clogged.</li><li>• Make sure the igniters are clean and dry.</li><li>• Check the power supply. It should be properly grounded with the correct polarity. Make sure the unit is fully plugged in to the outlet and the circuit breaker is not tripped.</li></ul>
Burner flame goes out unexpectedly	Make sure that there is not draft in the room.
Igniters spark even though knobs are in the off position	When the electrical power connection has been activated at the first power up or reconnected after an outage, the igniters may spark once or twice, even though all burner knobs are in the "OFF" position.
Cooking results are not what was expected	<ul style="list-style-type: none"><li>• The cooktop is not level.</li><li>• Cooking pan does not fit the surface being used. → "Proper Cookware" on page 11</li><li>• Cookware is not the type or size recommended. → "Proper Cookware" on page 11</li></ul>

## Product Rating Label

The rating label shows the model number and the FD number (production number/product's unique identifier) of your cooktop. It is located on the underside of the cooktop.



## Rating Label Location

A Rating Label

## Model number and FD Number

The model number and the FD number of your appliance are found on the rating label. Make a note of these numbers in the space below to save time in the event your appliance requires service.

Model #	FD #
Bosch Customer Support	800-944-2904

Keep your invoice or escrow papers for warranty validation if service is needed.

# STATEMENT OF LIMITED PRODUCT WARRANTY

## What this Warranty Covers & Who it Applies to

The limited warranty provided by BSH Home Appliances Corporation ("BSH") in this Statement of Limited Product Warranty applies only to the Bosch appliance ("Product") sold to you, the first using purchaser, provided that the Product was purchased:

- For your normal, household (non-commercial) use, and has in fact at all times only been used for normal household purposes.
- New at retail (not a display, "as is", or previously returned model), and not for resale, or commercial use.
- Within the United States or Canada, and has at all times remained within the country of original purchase.

The warranties stated herein apply only to the first purchaser of the Product and are not transferable.

Please make sure to return your registration card; while not necessary to effectuate warranty coverage, it is the best way for BSH to notify you in the unlikely event of a safety notice or product recall.

## How Long the Warranty Lasts

BSH warrants that the Product is free from defects in materials and workmanship for a period of three hundred sixty-five (365) days from the date of purchase. The foregoing timeline begins to run upon the date of purchase, and shall not be stalled, tolled, extended, or suspended, for any reason whatsoever.

This Product is also warranted to be free from *cosmetic* defects in material and workmanship (such as scratches of stainless steel, paint/porcelain blemishes, chip, dents, or other damage to the finish of the Product), for a period of thirty (30) days from the date of purchase or closing date for new construction. This *cosmetic* warranty excludes slight color variations due to inherent differences in painted and porcelain parts, as well as differences caused by kitchen lighting, product location, or other similar factors. This *cosmetic* warranty specifically excludes any display, floor, "As Is", or "B" stock appliances.

## Repair/Replace as Your Exclusive Remedy

During this warranty period, BSH or one of its authorized service providers will repair your Product without charge to you (subject to certain limitations stated herein) if your Product proves to have been manufactured with a defect in materials or workmanship. If reasonable attempts to repair the Product have been made without success, then BSH will replace your Product (upgraded models may be available to you, in BSH's sole discretion, for an additional charge). All removed parts and components shall become the property of BSH at its sole option. All replaced and/or repaired parts shall assume the identity of the original part for purposes of this warranty and this warranty shall not be extended with respect to such parts. BSH's sole liability and responsibility hereunder is to repair manufacturer-defective Product only, using a

BSH-authorized service provider during normal business hours. For safety and property damage concerns, BSH highly recommends that you do not attempt to repair the Product yourself, or use an un-authorized servicer; BSH will have no responsibility or liability for repairs or work performed by a non-authorized servicer. If you choose to have someone other than an authorized service provider work on your Product, THIS WARRANTY WILL AUTOMATICALLY BECOME NULL AND VOID. Authorized service providers are those persons or companies that have been specially trained on BSH products, and who possess, in BSH's opinion, a superior reputation for customer service and technical ability (note that they are independent entities and are not agents, partners, affiliates or representatives of BSH). Notwithstanding the foregoing, BSH will not incur any liability, or have responsibility, for the Product if it is located in a remote area (more than 100 miles from an authorized service provider) or is reasonably inaccessible, hazardous, threatening, or treacherous locale, surroundings, or environment; in any such event, if you request, BSH would still pay for labor and parts and ship the parts to the nearest authorized service provider, but you would still be fully liable and responsible for any travel time or other special charges by the service company, assuming they agree to make the service call.

## Out of Warranty Product

BSH is under no obligation, at law or otherwise, to provide you with any concessions, including repairs, pro-rates, or Product replacement, once this warranty has expired.

## Warranty Exclusions

The warranty coverage described herein excludes all defects or damage that are not the direct fault of BSH, including without limitation, one or more of the following:

- Use of the Product in anything other than its normal, customary and intended manner (including without limitation, any form of commercial use, use or storage of an indoor product outdoors, use of the Product in conjunction with air or water-going vessels).
- Any party's willful misconduct, negligence, misuse, abuse, accidents, neglect, improper operation, failure to maintain, improper or negligent installation, tampering, failure to follow operating instructions, mishandling, unauthorized service (including self-performed "fixing" or exploration of the appliance's internal workings).
- Adjustment, alteration or modification of any kind.
- A failure to comply with any applicable state, local, city, or county electrical, plumbing and/or building codes, regulations, or laws, including failure to install the product in strict conformity with local fire and building codes and regulations.
- Ordinary wear and tear, spills of food, liquid, grease accumulations, or other substances that accumulate on, in, or around the Product.

- Any external, elemental and/or environmental forces and factors, including without limitation, rain, wind, sand, floods, fires, mud slides, freezing temperatures, excessive moisture or extended exposure to humidity, lightning, power surges, structural failures surrounding the appliance, and acts of God.

In no event shall BSH have any liability or responsibility whatsoever for damage to surrounding property, including cabinetry, floors, ceilings, and other structures or objects around the Product. Also excluded from this warranty are Products on which the serial numbers have been altered, defaced, or removed; service visits to teach you how to use the Product, or visits where there is nothing wrong with the Product; correction of installation problems (you are solely responsible for any structure and setting for the Product, including all electrical, plumbing or other connecting facilities, for proper foundation/flooring, and for any alterations including without limitation cabinetry, walls, floors, shelving, etc.); and resetting of breakers or fuses.

TO THE EXTENT ALLOWED BY LAW, THIS WARRANTY SETS OUT YOUR EXCLUSIVE REMEDIES WITH RESPECT TO PRODUCT, WHETHER THE CLAIM ARISES IN CONTRACT OR TORT (INCLUDING STRICT LIABILITY, OR NEGLIGENCE) OR OTHERWISE. THIS WARRANTY IS IN LIEU OF ALL OTHER WARRANTIES, WHETHER EXPRESS OR IMPLIED. ANY WARRANTY IMPLIED BY LAW, WHETHER FOR MERCHANTABILITY OR FITNESS FOR A PARTICULAR PURPOSE, OR OTHERWISE, SHALL BE EFFECTIVE ONLY FOR THE PERIOD THAT THIS EXPRESS LIMITED WARRANTY IS EFFECTIVE. IN NO EVENT WILL THE MANUFACTURER BE LIABLE FOR CONSEQUENTIAL, SPECIAL, INCIDENTAL, INDIRECT, "BUSINESS LOSS", AND/OR PUNITIVE DAMAGES, LOSSES, OR EXPENSES, INCLUDING WITHOUT LIMITATION TIME AWAY FROM WORK, HOTELS AND/OR RESTAURANT MEALS, REMODELLING EXPENSES IN EXCESS OF DIRECT DAMAGES WHICH ARE DEFINITELY CAUSED EXCLUSIVELY BY BSH, OR OTHERWISE. SOME STATES DO NOT ALLOW THE EXCLUSION OR LIMITATION OF INCIDENTAL OR CONSEQUENTIAL DAMAGES, AND SOME STATES DO NOT ALLOW LIMITATIONS ON HOW LONG AN IMPLIED WARRANTY LASTS, SO THE ABOVE LIMITATIONS MAY NOT APPLY TO YOU. THIS WARRANTY GIVES YOU SPECIFIC LEGAL RIGHTS, AND YOU MAY ALSO HAVE OTHER RIGHTS WHICH VARY FROM STATE TO STATE. No attempt to alter, modify or amend this warranty shall be effective unless authorized in writing by an officer of BSH.



# Table des Matières

<b>Définitions de sécurité</b> .....	<b>17</b>	Boutons de commande .....	25
<b>IMPORTANTES CONSIGNES DE SÉCURITÉ</b> .....	<b>18</b>	<b>Fonctionnement</b> .....	<b>26</b>
Utilisation sécuritaire de l'électroménager alimenté au gaz : .....	18	Concernant cet appareil .....	26
Sécurité-incendie .....	19	Tirer le meilleur parti de l'électroménager .....	27
Sécurité en matière de gaz .....	20	<b>Nettoyage et entretien</b> .....	<b>28</b>
Prévention des brûlures .....	20	Nettoyage quotidien .....	28
Sécurité des enfants .....	21	Lignes directrices de nettoyage .....	29
Consignes en matière de nettoyage .....	21	Entretien .....	30
Sécurité pour la batterie de cuisine .....	21	<b>Dépannage</b> .....	<b>31</b>
Installation et entretien corrects .....	21	Dépannage .....	31
Avertissement issue de la proposition 65 de l'État de la Californie : .....	22	Plaque signalétique du produit .....	31
<b>Mise en route</b> .....	<b>23</b>	<b>ÉNONCÉ DE LA GARANTIE LIMITÉE</b> .....	<b>32</b>
Avant la première utilisation de l'appareil .....	23	Couverture de la garantie : .....	32
Pièces et accessoires .....	23	Durée de la garantie .....	32
Brûleurs scellés .....	24	Réparation ou remplacement comme solution exclusive .....	32
Positionnement du chapeau et de la base du brûleur .....	24	Produit hors garantie .....	32
Installation des grilles du brûleur .....	25	Exclusions à la garantie .....	33

Cet appareil électroménager Bosch est fabriqué par  
BSH Home Appliances Corporation  
1901 Main Street, Suite 600  
Irvine, CA 92614

Vous avez des questions?

1 800 944-2904

[www.bosch-home.com/us](http://www.bosch-home.com/us)

Nous nous ferons un plaisir de vous servir!

## Définitions de sécurité

### ▲ AVERTISSEMENT

Ceci indique que le non-respect de cet avertissement peut entraîner des blessures graves, voire la mort.

### ▲ ATTENTION

Ceci indique que le non-respect de cet avertissement peut entraîner des blessures légères ou de gravité moyenne.

**AVIS :** Ceci indique que la non-conformité à cet avis de sécurité peut entraîner des dégâts matériels ou endommager l'appareil.

**Remarque :** Ceci vous signale des informations et/ou indications importantes.

# **⚠ IMPORTANTES CONSIGNES DE SÉCURITÉ**

LIRE ET CONSERVER CES INSTRUCTIONS

Utilisation sécuritaire de l'électroménager alimenté au gaz :

**⚠ AVERTISSEMENT : Si les directives ne sont pas suivies à la lettre, il y a un risque d'incendie ou d'explosion pouvant entraîner des dommages matériels, des blessures ou un décès.**

- Ne pas conserver ou utiliser de l'essence ou d'autres liquides ou vapeurs inflammables à proximité de cet appareil ou de tout autre appareil.
- **QUE FAIRE SI VOUS PERCEVEZ UNE ODEUR DE GAZ**
  - Ne pas essayer de mettre un appareil sous tension.
  - Ne pas toucher d'interrupteur de courant électrique.
  - Ne pas utiliser de téléphones dans l'édifice.
  - Communiquer immédiatement avec le fournisseur de gaz depuis l'appareil téléphonique d'un voisin. Respecter les directives du fournisseur de gaz.
  - S'il s'avère impossible de joindre le fournisseur de gaz, communiquer avec les pompiers.
- Utiliser les services d'un installateur ou d'une agence de services qualifiés ou le fournisseur de gaz pour procéder à l'installation et aux réparations.

# **IMPORTANTES CONSIGNES DE SÉCURITÉ**

## LIRE ET CONSERVER CES INSTRUCTIONS

**IMPORTANT** : CONSERVEZ CES CONSIGNES À L'INTENTION DE L'INSPECTEUR EN ÉLECTRICITÉ.

**INSTALLATEUR** : PRIÈRE DE LAISSER CES CONSIGNES AVEC CET APPAREIL À L'INTENTION DU PROPRIÉTAIRE.

**PROPRIÉTAIRE** : PRIÈRE DE CONSERVER CES CONSIGNES POUR RÉFÉRENCE ULTÉRIEURE.

---

### AVERTISSEMENT

---

Correctement entretenu, votre électroménager neuf a été conçu pour être sécuritaire et fiable. Lisez attentivement toutes les instructions avant l'utilisation. Ces précautions réduiront le risque de brûlure, d'électrocution, d'incendie et de blessures corporelles. Lorsque vous utilisez des appareils électroménagers de cuisine, il importe de suivre des précautions de sécurité de base, y compris celles indiquées dans les pages suivantes.

---

### Sécurité-incendie

Conserver ces instructions.

Régler la commande de brûleur afin que la flamme ne puisse pas dépasser le rebord du fond des casseroles.

Ne laissez pas le papier d'aluminium, le plastique, le papier ou les tissus entrer en contact avec un élément de surface, une grille ou un brûleur chaud. Ne laissez pas les casseroles chauffer à sec.

Si la table de cuisson est près d'une fenêtre, d'un évent à air forcé ou d'un ventilateur, s'assurer que les matériaux inflammables tels les tentures/rideaux ne flottent pas au-dessus ou près des brûleurs ou éléments. Ils risqueraient de s'enflammer.

Toujours avoir un détecteur de fumée en état de marche près de la cuisine.

Ne laissez jamais la table de cuisson sans surveillance lorsqu'elle est en utilisation. Des débordements causant de la fumée et des déversements graisseux peuvent prendre feu.

---

### AVERTISSEMENT

---

POUR RÉDUIRE LE RISQUE D'UN FEU DE FRITURE :

- a. Ne jamais laisser la surface de cuisson sans surveillance à des températures élevées. Les débordements causent de la fumée et les résidus graisseux peuvent s'enflammer. Faire chauffer lentement les huiles à feu doux ou moyen.
  - b. Toujours ALLUMER la hotte lors de la cuisson à température élevée ou pour flamber certains plats (c.-à-d., crêpes Suzette, cerises Jubilé, steak au poivre flambé).
  - c. Nettoyer régulièrement les ventilateurs. Ne pas laisser la graisse s'accumuler sur le ventilateur ou sur le filtre.
  - d. Utiliser des casseroles de taille appropriée. Toujours utiliser des récipients adaptés à la taille de la surface de cuisson.
- 

Si des vêtements s'enflamment, rouler par terre immédiatement pour éteindre les flammes.

Étouffez les flammes d'un feu d'aliments autre qu'un feu de graisse à l'aide de bicarbonate de soude. Ne jamais utiliser d'eau sur les feux de cuisson.

S'assurer que l'air brassé par les ventilateurs ou les événements à air forcé n'agisse pas sur les flammes d'un brûleur de sorte qu'elles risquent de dépasser des rebords d'une casserole.

Veillez à avoir à portée de main un extincteur d'incendie en bon état de marche, placé visiblement près de l'appareil et facile d'accès.

---

### AVERTISSEMENT

---

POUR RÉDUIRE LE RISQUE DE LÉSIONS CORPORELLES DANS L'ÉVENTUALITÉ D'UN FEU DE GRAISSE, OBSERVER LES CONSIGNES SUIVANTES :

- a. **ÉTOUFFER LES FLAMMES** à l'aide d'un couvercle bien hermétique, d'une tôle à biscuits ou d'un plateau en métal, puis éteindre l'appareil. **FAIRE ATTENTION À NE PAS SE BRÛLER.** Si les flammes ne s'éteignent pas immédiatement, **ÉVACUER LES LIEUX ET FAIRE APPEL AU SERVICE D'INCENDIE.**
  - b. **NE JAMAIS SAISIR UN RÉCIPIENT QUI BRÛLE.** Vous pourriez vous brûler.
  - c. **NE PAS UTILISER D'EAU**, y compris les chiffons ou serviettes mouillées. Une violente explosion de vapeur risque de se produire.
  - d. Utiliser un extincteur uniquement si :
    - Vous savez que vous possédez un extincteur de CLASSE ABC, et vous en connaissez déjà le maniement.
    - L'incendie est de petite ampleur et contenu dans la zone où il s'est déclaré.
    - Le service d'incendie est appelé.
    - On peut combattre l'incendie le dos tourné vers la sortie.
-

# **IMPORTANTES CONSIGNES DE SÉCURITÉ**

## LIRE ET CONSERVER CES INSTRUCTIONS

En cas de panne électrique, seuls les brûleurs de la table de cuisson peuvent s'allumer manuellement.

Dans la mesure du possible, ne pas faire fonctionner le système de ventilation lorsqu'un feu se déclenche sur une table de cuisson. Toutefois, ne pas passer la main à travers le feu pour mettre le système de ventilation hors tension.

### **Sécurité en matière de gaz**

Pour éviter toute accumulation d'oxyde de carbone, ne pas bloquer les événements de l'appareil.

Se faire indiquer l'emplacement du robinet d'arrêt de gaz par l'installateur.

Pour un fonctionnement adéquat des brûleurs, l'allumeur doit toujours être propre et sec.

Si un brûleur s'éteint et que du gaz s'échappe, ouvrir portes et fenêtres. Attendre que le gaz se soit dissipé avant d'utiliser de nouveau l'appareil.

---

### **AVERTISSEMENT**

Tous les allumeurs émettent des étincelles lorsqu'on allume un brûleur. Ne toucher aucun brûleur lors de l'utilisation de la table de cuisson.

Si vous sentez des effluves de gaz, l'installateur n'a pas correctement vérifié la présence de fuites. Si les raccordements de son pas parfaitement serrés, vous pouvez avoir une petite fuite et une faible odeur de gaz. Si vous sentez des effluves de gaz, éteindre immédiatement l'appareil et communiquer avec un technicien autorisé en réparation pour diagnostiquer le problème. Consulter les avertissements, → "*Utilisation sécuritaire de l'électroménager alimenté au gaz :*" à la page 18

---

### **AVERTISSEMENT**

Pour éviter les poussées de flamme lors de l'utilisation de la table de cuisson, les grilles de brûleur doivent être correctement installées. Les pieds de support des grilles doivent reposer sur les alvéoles de la table de cuisson prévues à cet effet. Ne pas utiliser une grille si les pieds en caoutchouc sont absents ou abîmés.

Les orifices de l'allumeur doivent être propres pour que les brûleurs s'allument correctement. Il est impératif de nettoyer les brûleurs en cas de débordement ou si un brûleur ne s'allume pas même si l'allumeur émet un léger claquement.

---

### **AVERTISSEMENT**

Pour éviter les poussées de flamme, ne pas utiliser la table de cuisson sans avoir correctement installé les capuchons de brûleur et les grilles de brûleur.

---

---

### **AVERTISSEMENT**

Ne pas nettoyer ni toucher les brûleurs lorsque le brûleur à très faible puissance (s'il y en a un) est en cours d'utilisation. Lorsque le brûleur à très faible puissance se rallume automatiquement, l'allumeur émettra des étincelles au niveau du brûleur.

---

---

### **AVERTISSEMENT**

Utiliser cet appareil uniquement pour l'usage auquel il est destiné comme l'indique ce manuel. Ne JAMAIS utiliser cet appareil comme un radiateur électrique portatif pour chauffer ou réchauffer une pièce. Ceci pourrait entraîner une intoxication par l'oxyde de carbone et provoquer une surchauffe de l'appareil. L'appareil ne doit jamais servir à entreposer quoi que ce soit.

---

### **Prévention des brûlures**

**NE PAS TOUCHER AUX ÉLÉMENTS DE SURFACE NI AUX ZONES PRÈS DES ÉLÉMENTS.** Les unités de surface peuvent être chaudes même lorsqu'elles sont de couleur foncée. Les zones près des unités de surface peuvent devenir suffisamment chaudes pour causer des brûlures. Pendant et après l'utilisation, ne pas toucher, ni laisser vêtements, poignées isolantes ou autres matériaux inflammables entrer en contact avec les éléments de surface ni aux zones près des éléments tant qu'ils n'ont pas refroidi. Citons notamment la table de cuisson et les surfaces situées près de celle-ci.

Ne pas chauffer ou réchauffer des contenants d'aliments non ouverts. L'accumulation de pression peut faire exploser le contenant et provoquer des blessures.

Toujours ALLUMER la hotte lors de la cuisson à température élevée ou pour flamber certains plats (c.-à-d., crêpes Suzette, cerises Jubilé, steak au poivre flambé).

Utiliser les réglages élevés seulement lorsque nécessaire. Pour éviter bulles et éclaboussures, chauffer l'huile lentement à réglage faible ou moyen. L'huile chaude peut causer des brûlures et blessures extrêmement graves.

Ne déplacez jamais une poêle contenant de l'huile chaude, en particulier une bassine à friture. Attendez qu'elle se soit refroidie.

Attacher les vêtements lâches, etc. avant de commencer. Attacher les cheveux longs de façon à ce qu'ils ne pendent pas et ne pas porter de vêtements lâches ou d'habits ou objets qui pendillent, tels que cravates, foulards, bijoux ou manches.

# **IMPORTANTES CONSIGNES DE SÉCURITÉ**

## LIRE ET CONSERVER CES INSTRUCTIONS

### **Sécurité des enfants**

Lorsque les enfants sont assez âgés pour utiliser l'appareil, il incombe aux parents ou tuteurs légaux de veiller à ce qu'ils soient formés aux pratiques sécuritaires par des personnes qualifiées.

Ne permettre à personne de grimper, rester debout, s'appuyer, s'asseoir ou se pencher sur toute partie d'un appareil, notamment une porte, un tiroir-réchaud ou un tiroir de rangement. Ceci peut endommager l'appareil qui risque de basculer et causer des blessures sérieuses.

Ne pas permettre aux enfants d'utiliser cet appareil sauf sous la surveillance attentive d'un adulte. Ne pas laisser les enfants et les animaux seuls ou sans surveillance lorsque l'appareil est en service. Ne jamais les laisser jouer aux alentours de l'appareil, que ce dernier soit en service ou non.

---

### **ATTENTION**

Les articles d'intérêt pour les enfants ne doivent pas être rangés dans un appareil électroménager, dans les armoires au-dessus de l'appareil ou sur le dossier. Les enfants peuvent grimper sur l'appareil pour atteindre ces objets et se blesser sérieusement.

---

### **Consignes en matière de nettoyage**

AVIS DE SÉCURITÉ IMPORTANT : en application de la loi de la Californie sur la qualité de l'eau potable et sur les produits toxiques (« California Safe Drinking Water and Toxic Enforcement Act »), le Gouverneur de Californie est tenu de publier une liste des substances reconnues par l'État de Californie comme étant cancérigènes ou pouvant causer des malformations ou nuire à la reproduction, et les entreprises sont tenues d'avertir les consommateurs des risques potentiels d'exposition à de telles substances. L'incinération de combustible gazeux de cuisson et l'élimination de salissures lors d'un autonettoyage peuvent générer des sous-produits qui figurent sur cette liste. Pour minimiser l'exposition à ces substances, toujours faire fonctionner cet appareil conformément aux instructions contenues dans cette brochure et assurer une bonne ventilation.

---

### **AVERTISSEMENT**

L'incinération de combustible gazeux de cuisson peut générer de faibles quantités d'oxyde de carbone, de benzène, de formaldéhyde et de suie. Afin de minimiser l'exposition à ces substances, les brûleurs doivent être réglés par un installateur ou un service certifié afin d'assurer une combustion adéquate. Assurer une ventilation adéquate en ouvrant une fenêtre ou utiliser un ventilateur ou une hotte aspirante lorsque vous cuisinez au gaz. Toujours utiliser l'appareil conformément aux instructions du présent manuel.

---

Après tout déversement ou débordement, éteindre le brûleur et laisser la table de cuisson refroidir. Nettoyer le pourtour du brûleur ainsi que ces orifices. Une fois ce

nettoyage terminé, vérifier le bon fonctionnement du brûleur.

Ne nettoyez pas l'appareil pendant qu'il est encore chaud. Certains produits nettoyants produisent des vapeurs nocives lorsqu'ils sont appliqués sur une surface chaude. Chiffons ou éponges humides peuvent causer des brûlures par dégagement de vapeur.

### **Sécurité pour la batterie de cuisine**

Tenir la poignée de la casserole en brassant ou tournant les aliments. Ceci l'empêche de bouger et évite les déversements.

Utiliser des casseroles de taille adéquate.

L'utilisation de casseroles trop petites aura pour effet d'exposer une partie de l'élément chauffant ou du brûleur pouvant présenter un risque de contact direct et d'incendie de vêtements. Sélectionner des ustensiles à fond plat, suffisamment larges pour couvrir l'élément chauffant. Cet appareil est doté de surfaces de différents formats. Un bon rapport ustensile/élément chauffant ou brûleur permet également d'améliorer le fonctionnement de l'appareil.

Tourner toujours les poignées au qu'elles ne passent pas au-dessus des zones adjacentes de cuisson ou du bord de l'appareil. Ceci aide à diminuer le risque d'ignition de matériaux inflammables, de déversements et de brûlures.

Ajuster la taille de la flamme des brûleurs afin qu'elle ne dépasse pas le bord des ustensiles. Un bon rapport flamme/ustensile entraîne une diminution des risques en matière de sécurité.

Utiliser uniquement des ustensiles de certains types de verre, verre calorifuge, céramique, poterie ou matière émaillée qui conviennent à une table de cuisson.

### **Installation et entretien corrects**

Demandez à l'installateur de vous montrer où se trouve le disjoncteur ou le fusible. Identifier sa position pour pouvoir le retrouver facilement.

Cet appareil doit être adéquatement installé et mis à la terre par un technicien agréé. Branchez l'appareil uniquement dans une prise correctement reliée à la terre. Pour plus de détails, reportez-vous à la notice d'installation.

Cet appareil est destiné uniquement à une utilisation domestique normale. Il n'est pas homologué pour un usage en extérieur. Voyez la Énoncé de la Garantie Limitée. Si vous avez des questions, communiquez avec le fabricant.

Ne pas entreposer ni utiliser de produits chimiques corrosifs, vapeurs, substances inflammables ou produits non alimentaires à l'intérieur ou à proximité de l'appareil. Il a été spécialement conçu pour être utilisé pendant le chauffage et la cuisson des aliments. L'emploi de produits chimiques corrosifs pour chauffer ou nettoyer l'appareil endommagera ce dernier et peut provoquer des blessures.

# **IMPORTANTES CONSIGNES DE SÉCURITÉ**

## LIRE ET CONSERVER CES INSTRUCTIONS

---

### AVERTISSEMENT

---

Le non respect du mode de fonctionnement des boutons peut entraîner des lésions corporelles ou des dommages à l'appareil.

---

Cet appareil n'est pas prévu pour fonctionner avec un programmateur externe ou une télécommande externe.

Ne pas se servir de cet appareil s'il ne fonctionne pas correctement ou s'il est endommagé. Communiquer avec un réparateur autorisé.

Ne pas réparer ni remplacer toute pièce de l'appareil à moins que cela ne soit spécifiquement recommandé par ce manuel. Toute réparation doit être effectuée par un centre de réparation autorisé par l'usine.

Pour éviter les risques d'électrocution, avant de réparer l'appareil, mettre l'alimentation hors circuit au niveau du panneau de service et le verrouiller pour éviter toute mise en circuit accidentelle.

---

### **Avertissement issue de la proposition 65 de l'État de la Californie :**

---

#### AVERTISSEMENT

---

Ce produit peut vous exposer à des produits chimiques, comme du chlorure de vinyle, reconnus par l'État de la Californie comme causant le cancer, des malformations congénitales ou d'autres effets nocifs sur la reproduction. Pour de plus amples renseignements, consultez [www.P65Warnings.ca.gov](http://www.P65Warnings.ca.gov).

---

**Remarque : AVIS DE SÉCURITÉ IMPORTANT :** En application de la loi californienne concernant la salubrité de l'eau et la protection contre les substances chimiques (« California Safe Drinking Water and Toxic Enforcement Act »), le gouverneur de Californie est tenu de publier une liste reconnue par l'État de Californie comme étant cancérigènes ou pouvant causer des malformations ou présenter un danger pour la reproduction, et les entreprises sont tenues d'avertir les consommateurs des risques potentiels d'exposition à de telles substances. La combustion de gaz combustible pour la cuisson et l'élimination de résidus pendant l'autonettoyage peuvent générer de faibles quantités de monoxyde de carbone. Dans les fours équipés du Nettoyage Auto, de faibles quantités de formaldéhyde peuvent se dégager lors de l'élimination des salissures pendant les quelques premiers cycles autonettoyants. La Californie classe le formaldéhyde parmi les produits potentiellement cancérigènes. Le monoxyde de carbone est une cause possible de toxicité pour la reproduction. Il est possible de réduire l'exposition à ces substances en :

1. assurant une bonne ventilation lors de la cuisson au gaz; et
2. utilisant l'appareil selon les instructions de ce manuel.

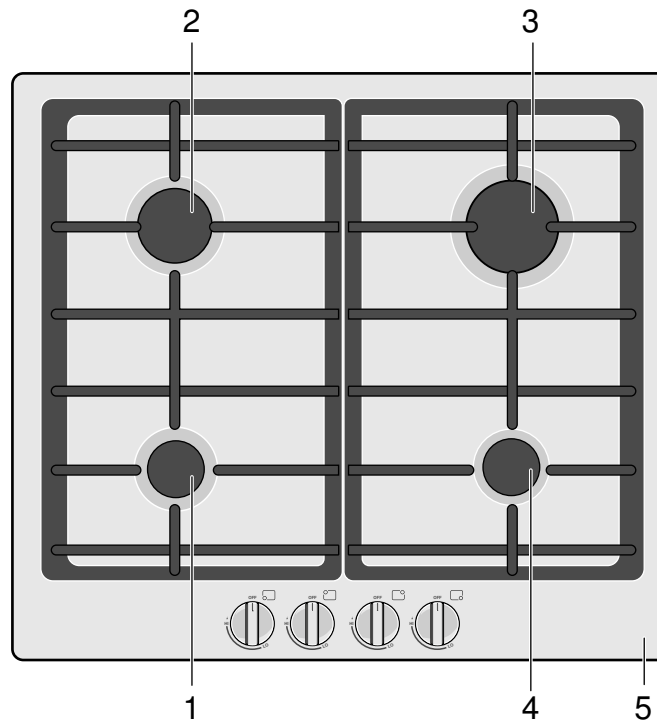
# Mise en route

## Avant la première utilisation de l'appareil

- Retirer tous les matériaux d'emballage et la documentation de la table de cuisson.
  - Lorsqu'elle est froide, essuyer la table de cuisson avec une éponge humide propre, et sécher.
  - L'appareil peut dégager une légère odeur lors des premières utilisations. Ceci est normal et disparaîtra.
- Pour obtenir des résultats de cuisson optimum, choisir et utiliser des ustensiles appropriés. (Voir « Choix des ustensiles de cuisson - Recommandations sur la batterie de cuisine ».
  - Lire toutes les précautions de sécurité et informations contenues dans le Guide d'utilisation et d'entretien avant de procéder à l'utilisation de l'appareil.

## Pièces et accessoires

NGM5456UC



1	Brûleur avant gauche, (5 000 BTU/1,47 kW)
2	Brûleur arrière gauche, (9 300 BTU/2,72 kW)
3	Brûleur arrière droit, (11 500 BTU/3,37 kW)
4	Brûleur avant droit, (5 000 BTU/1,47 kW)
5	Emplacement du numéro de série/plaque signalétique (avant droit dessous)

## Brûleurs scellés

Votre table de cuisson neuve dispose de brûleurs à gaz scellés. Il n'y a aucune pièce de brûleur à nettoyer, démonter ou régler sous la table de cuisson. Les tables de cuisson disposent de trois diamètres de brûleurs : petit, moyen et grand.

## Positionnement du chapeau et de la base du brûleur

### ⚠ AVERTISSEMENT

Pour éviter des flambées, ne pas utiliser la table de cuisson sans tous les chapeaux de brûleurs en place et toutes les grilles de brûleur bien positionnées.

### ⚠ AVERTISSEMENT

Pour éviter les brûlures, ne pas retirer les chapeaux de brûleur ni les grilles quand ils sont chauds. Éteindre la table de cuisson et laisser les brûleurs refroidir.

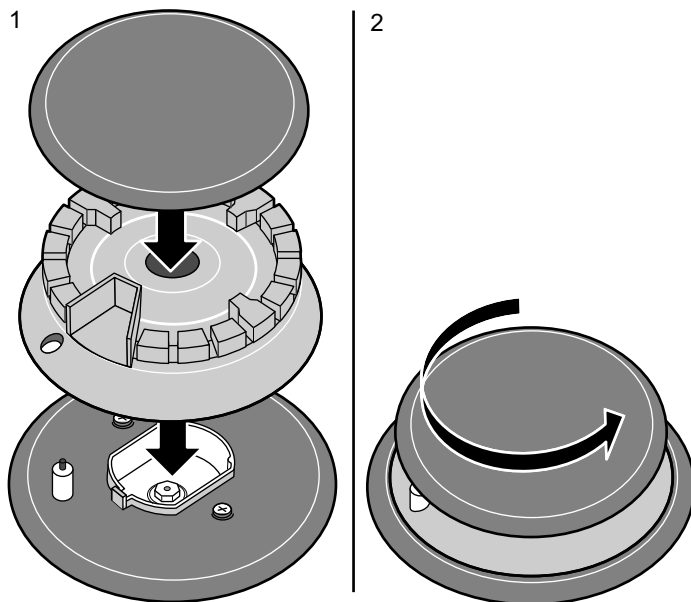
Il faut que les chapeaux de brûleurs soient correctement positionnés pour le bon fonctionnement de la table de cuisson. Un ou plusieurs problèmes peuvent survenir si un chapeau de brûleur n'est pas bien positionné :

- La flamme du brûleur est trop élevée.
- Des flammes jaillissent des brûleurs.
- L'acier inoxydable se décolore.
- Les brûleurs ne s'allument pas.
- La flamme du brûleur n'est pas uniforme.
- Une odeur de gaz se dégage du brûleur.

## Positionnement du chapeau et de la base du brûleur

- Après avoir terminé le raccordement électrique, déposer chaque base de brûleur à l'endroit correspondant sur la table de cuisson. Une des trois rainures sur la base du brûleur doit être alignée avec l'encoche pour empêcher son pivotement. Le petit trou ou la petite découpe près du rebord doit aussi être aligné(e) avec l'allumeur. Faire très attention de ne pas endommager l'allumeur lors de l'installation de la base. Voir l'illustration ci-dessous.
- Une fois toutes les bases installées et bien appuyées, placer les chapeaux de brûleur sur la bonne base. Voir l'illustration.
- Déposer délicatement le chapeau de brûleur sur le dessus de la base de sorte que les pattes de la base soient bien ajustées dans la goulotte du chapeau du brûleur.

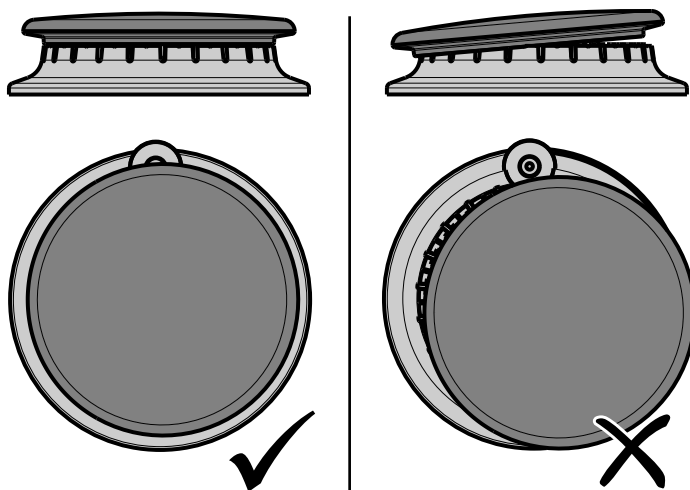
- Si un installateur certifié retire la table de travail (par exemple pour vérifier le raccordement électriques ou des conduites), il faut réinstaller les vis à tête cylindrique pour assurer le bon fonctionnement des brûleurs.



## Positionnement des chapeaux et des bases de brûleur

### Vérification du positionnement du chapeau du brûleur

- S'assurer qu'il n'y a aucun espace entre le chapeau et la base du brûleur. Consulter l'illustration ci-dessous pour voir un positionnement correct et incorrect du chapeau du brûleur.
- Vous pouvez essayer délicatement de bouger le chapeau du brûleur pour vérifier s'il est correctement positionné. Si tel est le cas, un clic se fera entendre lorsque les pattes du chapeau frapperont la saillie de la goulotte.

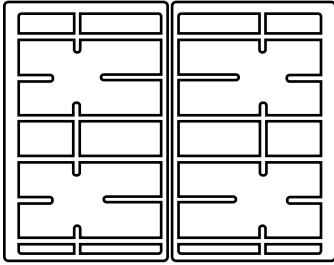


## Vérification du positionnement du chapeau du brûleur



## Installation des grilles du brûleur

Positionner et installer correctement la grille de chaque brûleur comme illustrer ci-dessous.



### 4 brûleurs de 24 po

---

#### ▲ AVERTISSEMENT

---

Pour éviter des flambées, toutes les grilles doivent être bien positionnées sur la table de cuisson à chaque utilisation pour bien soutenir les casseroles et éviter les éclaboussures. Ne pas utiliser une grille si les pieds de caoutchouc sont manquants ou endommagés.

---

#### **Pour remplacer les pieds de caoutchouc :**

Communiquer avec les Service après-vente au 1-800-944-2904.

## Boutons de commande

La table de cuisson dispose d'un bouton de commande par brûleur. Enfoncer et tourner le bouton de commande vers la gauche pour allumer et régler la température souhaitée.

---

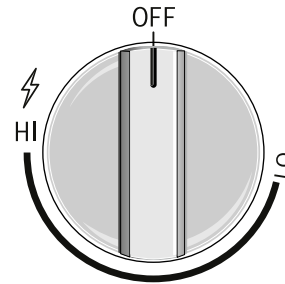
#### ▲ AVERTISSEMENT

---

Le non respect du mode de fonctionnement des boutons peut entraîner des lésions corporelles ou des dommages à l'appareil.

---

La table de cuisson dispose de commandes normales de brûleurs et d'oeillets en caoutchouc.



Les commandes normales de brûleurs disposent d'un nombre infini de réglages de chaleur.

**Pour actionner :** Sélectionner le bouton de commande appropriée, l'enfoncer et le tourner en sens antihoraire pour obtenir la hauteur de flamme désirée. Fermer le brûleur en tournant le bouton de commande en sens horaire à **OFF**(ARRÊT).

#### **Retrait du bouton de commande**

**Pour retirer le bouton et/ou l'oeillet :** Avec le bouton de commande à la position **OFF** (ARRÊT), soulever délicatement le bouton vers le haut pour le dégager. Retirer délicatement les oeillets des côtés et soulever.

---

#### ▲ AVERTISSEMENT

---

Pour éviter une électrocution éventuel, ne pas essayer d'atteindre la robinetterie brute par l'orifice du bouton de commande.

---

---

#### ▲ AVERTISSEMENT

---

Ne pas utiliser l'électroménager sans les boutons ni les oeillets en place.

---

**Pour remplacer le bouton et/ou l'oeillet :** Insérer délicatement l'oeillet dans l'orifice, s'assurer que la table de travail est bien insérée dans la fente tout autour du périmètre de l'oeillet. Remettre le bouton de commande en positionnant la ligne indicatrice à la position **OFF** (ARRÊT). Bien enfoncer.

# Fonctionnement

## Concernant cet appareil

Utiliser la table de cuisson pour des applications de cuisson sur une surface comme bouillir, frire, mijoter, cuire à la vapeur et sauter.

### ⚠ AVERTISSEMENT

La combustion de gaz combustible pour la cuisson peut générer de faibles quantités de monoxyde de carbone, de benzène, de formaldéhyde et de suie. Pour minimiser l'exposition à ces substances, un installateur certifié ou un réparateur autorisé doit régler les brûleurs pour assurer une bonne combustion. Assurer une bonne ventilation en laissant une fenêtre ouverte, ou utiliser un ventilateur ou une hotte d'aération lorsque vous cuisinez avec du gaz. Toujours faire fonctionner l'appareil en suivant les consignes de ce manuel.

### Fonctionnement normal : Allumage/réallumage électronique

Les brûleurs de la table de cuisson s'allument avec des allumeurs électroniques. Il n'y a aucune flamme pilote. Chaque brûleur dispose de son propre allumeur électronique. Si la flamme d'un brûleur s'éteint en cours d'utilisation, le brûleur se rallumera automatiquement.

### ⚠ ATTENTION

Pour éviter toute possibilité de blessure ou d'endommagement de l'électroménager, s'assurer que les grilles sont installées exactement suivant les consignes de montage et non à l'envers ou sens dessus dessous.

Pour un bon fonctionnement, l'allumeur doit être propre et sec.

- Éviter de mouiller ou de laisser tomber des aliments sur l'allumeur.
- Si l'allumeur est mouillé ou sale, il peut produire une étincelle sans toutefois allumer le brûleur ou même continuer à produire des étincelles malgré la présence d'une flamme.

**Remarque :** Si un brûleur ne s'allume pas dans les quatre secondes, éteindre le brûleur. Vérifier si le chapeau du brûleur est bien installé sur sa base et que l'allumeur est propre et sec. Si un brûleur refuse toujours de s'allumer, consultez la section « Avant d'appeler le service de dépannage ».

Si une flamme est présente à une température faible, l'allumeur pourrait produire une étincelle à l'occasion. Cela est normal.

### ⚠ ATTENTION

Pour éviter toute possibilité de blessure ou d'endommagement de l'électroménager, s'assurer que les grilles sont installées exactement suivant les consignes de montage et non à l'envers ou sens dessus dessous.

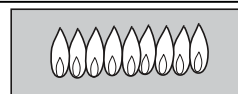
### Caractéristiques typiques d'une flamme

La flamme du brûleur doit être de couleur bleue et stable sans extrémité jaune ni de bruit ou vacillement excessif. La flamme doit être présente tout autour du chapeau du brûleur.

### Vérification des caractéristiques de la flamme :

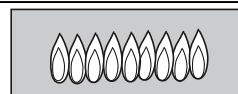
#### Flammes jaunes :

Réglages supplémentaires requis.



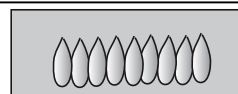
#### Extrémités des cônes externes jaunes :

Normales pour un gaz de pétrole liquéfié.



#### Flammes bleues douces :

Normales pour le gaz naturel.



- Si la flamme est entièrement ou presque toute jaune, vérifier si le réglage du régulateur est au bon combustible. Après le réglage, procéder à un nouveau test.
- Au cours du démarrage initial, il est normal que la flamme soit bigarrée de jaune. Laisser l'appareil fonctionner de quatre à cinq minutes puis réévaluer avant de procéder au réglages.
- Au cours de l'utilisation initiale, un corps étrangers dans la conduite de gaz peut rendre la flamme orange. La couleur orange disparaîtra avec l'usage. Vérifier le bon dégagement des ports du brûleur. Si les ports sont obstrués. → "Dépannage" à la page 31

**Remarque :** Un « pop » sonore peut-être entendu lorsqu'on éteint le brûleur manuellement. Il est possible qu'il soit plus intense avec du gaz de pétrole liquéfié qu'avec du gaz naturel. Cela est normal.

## Tirer le meilleur parti de l'électroménager

### Suggestions de cuisson pour optimiser les résultats

- Faire bouillir l'eau dans une casserole avec un couvercle à température élevée en utilisant le plus grand brûleur pour optimiser les résultats. Quand l'eau bout, abaisser la température.
- Pour faire mijoter un plat, amener d'abord les aliments à ébullition. Bien mélanger pour s'assurer que tout le contenu soit à ébullition puis mettre le couvert et réduire la chaleur pour laisser mijoter.
- Quand un plat mijote, on doit voir un peu de vapeur et la surface du liquide doit osciller légèrement.
- Utiliser un couvercle pour maintenir une température de cuisson uniforme et aider à réchauffer les aliments plus rapidement.
- Vérifier les aliments à l'occasion pour voir s'il faut abaisser ou hausser la température avec le bouton de commande.
- Il est normal de brasser les aliments à l'occasion.
- Déposer la casserole au centre du brûleur avant de l'allumer.
- Utiliser l'ustensile qui convient. → "*Ustensile adéquat*" à la page 27
- Consulter les recommandations de réglage dans le tableau suivant pour connaître les suggestions.

### Recommandations de réglages

Utilisations	Réglage de chaleur
Bouillir (par ex., de l'eau, du bouillon, etc.)	Élevé
Friture à la poêle, sauter, faire dorer la viande, grande friture	Moyen à élevé
Cuisson sauté, œufs, crêpes, bacon	Moyen
Cuire à la vapeur, braiser	Moyen-faible
Faire fondre du chocolat ou du beurre, mijoter des sauces, de la soupes et des ragoûts (par ex., sauce tomates ou alfredo, mijoté de bœuf, etc.)	Faible

### Ustensile adéquat

- Les casseroles à fond d'aluminium ou de cuivre conduisent la chaleur de façon uniforme.
- Les casseroles en acier inoxydable sans autres métaux n'offrent pas toujours une cuisson uniforme.
- Les ustensiles de fonte absorbent la chaleur lentement et cuisent plus uniformément à réglage moyen-faible.
- Des casseroles résistantes à fond plat sont stables et distribuent la chaleur uniformément.
- NE PAS UTILISER de casseroles minces, voilées, bosselées ou sillonnées, car elles ne distribuent pas la chaleur uniformément.

### Sélection des ustensiles de cuisine qui conviennent

#### Pratique

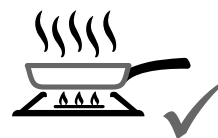
##### Diamètre du fond d'une casserole

- Le diamètre de la flamme doit être égal ou plus petit que le fond de la casserole. Ne pas utiliser de poêles ou de casseroles de petit diamètre à flamme élevée, car les flammes pourraient remonter sur les bords.
- Les casseroles surdimensionnées qui couvrent deux brûleurs sont placées de façon à utiliser un brûleur avant et un arrière et non deux brûleurs côte-à-côte.
- Pour de meilleurs résultats de cuisson, les grandes casseroles ne devraient pas déborder au-delà des grilles.



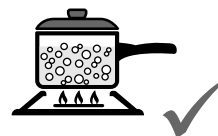
##### Utilisation de casseroles équilibrées

- L'équilibre est important pour la stabilité et même pour la cuisson.
- Les casseroles doivent être de niveau sur la grille de la table de cuisson sans oscillation ni déséquilibre.
- Déposer la casserole au centre du brûleur.



##### Utilisation du couvercle adéquat

Un couvercle bien ajusté permet de réduire le temps de cuisson.



## Ustensiles de spécialité

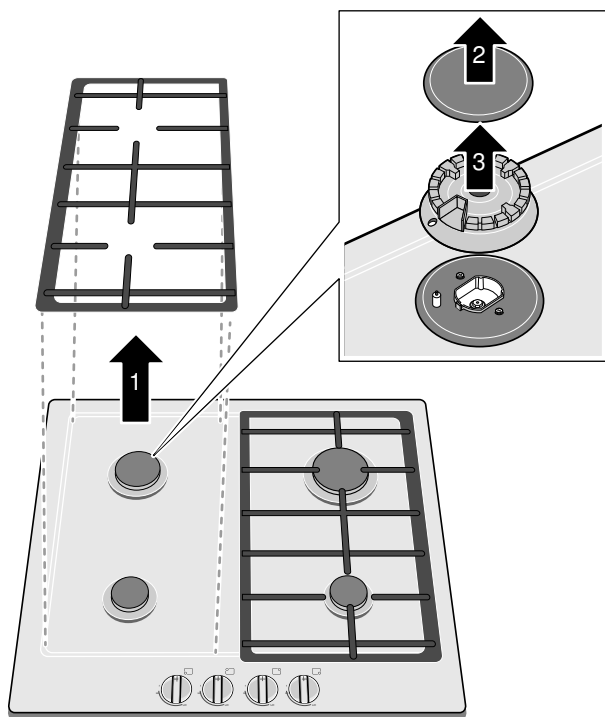
- Il est possible d'utiliser des casseroles qui couvrent deux brûleurs, par exemple, les plaques à frire, les faitouts et les pocheuses à poissons en les déposant sur un brûleur avant et un brûleur arrière. Réglez les flammes pour qu'elle soient égales pour une cuisson uniforme.

- Utilisez un wok à fond plat.
- Les ustensiles pour la conserve et les autocuiseurs doivent satisfaire aux mêmes exigences que celles décrites ci-dessus. Quand le contenu atteint le point d'ébullition, utilisez le réglage de chaleur le plus faible possible pour maintenir le bouillonnement ou la pression (pour les autocuiseurs de conserve).

# Nettoyage et entretien

## Nettoyage quotidien

Vous pouvez nettoyer l'ensemble la table de cuisson en toute sécurité en l'essuyant avec une éponge et de l'eau savonneuse, en la rinçant puis en l'essuyant. Pour les tâches tenaces, respectez les méthodes de nettoyage recommandées ci-dessous.



- Pour optimiser le rendement du brûleur, maintenez les allumeurs propres et secs.
- Maintenez les ports de l'allumeur propre pour optimiser le rendement du brûleur. Il est nécessaire de nettoyer les ports de l'allumeur après un débordement ou quand le brûleur ne s'allume pas de façon uniforme au déclenchement des allumeurs électroniques.
- Ne pas utiliser un produit nettoyant inflammable comme de l'essence à briquet.

### ⚠ ATTENTION

Tous les allumeurs produisent une étincelle lorsqu'on allume un brûleur quelconque. Ne pas toucher les brûleurs lorsque la table de cuisson est en cours d'utilisation.

## Recommandations en matière de nettoyage :

- Utilisez toujours le produit nettoyant le plus doux possible pour la tâche à accomplir. Utilisez des éponges ou des chiffons doux et propres ou des essuie-tout.
- Frottez le fini en acier inoxydable en direction du grain. Séchez la surface pour éviter les marques d'eau.
- Avant de nettoyer, assurez-vous que les brûleurs sont éteints et que les grilles et les brûleurs aient refroidi.
- Ne pas nettoyer les pièces amovibles de la table de cuisson dans un four autonettoyant ou au lave-vaisselle.
- Après nettoyage, remettez les pièces à la bonne position avant d'utiliser la table de cuisson.

## Lignes directrices de nettoyage

Les produits nettoyants recommandés ci-dessous et à la page suivante indiquent un type et ne signifient pas que

nous cautionnons une marque en particulier. Utilisez tous les produits en suivant les instructions de l'emballage.

<b>Pièces/matière de la table de cuisson</b>	<b>Produits nettoyants suggérés</b>	<b>Rappels importants</b>
Base du brûleur/ Alliage d'aluminium	<ul style="list-style-type: none"><li>• Détergent et eau chaude; rincer et sécher.</li><li>• Brosse à dents à soies de nylon rigides pour nettoyer les ports.</li><li>• Produits nettoyants abrasifs : Tampons Brillo® ou S.O.S.®. Rincer et sécher.</li></ul>	<ul style="list-style-type: none"><li>• Ne pas égratigner ou abîmer les ports.</li><li>• Nettoyer les ports avec un fil ou un trombone étiré.</li><li>• Ne pas utiliser de cure-dents, car ils risquent de casser.</li><li>• Ne pas immerger les bases des brûleurs.</li></ul>
Chapeau du brûleur/Émail vitrifié	<ul style="list-style-type: none"><li>• Eau chaude savonneuse; rincer et sécher à fond.</li><li>• Produits nettoyants non abrasifs : ammoniacque, Fantastic®, Formula 409®.</li><li>• Produits nettoyants légèrement abrasifs : Bon Ami®, Ajax®, Comet®.</li><li>• Produits nettoyants liquides : Kleen King®, Soft Scrub®.</li><li>• Pour les taches d'aliments, utiliser un produit nettoyant abrasif comme Zud® ou Bar Keepers Friend®.</li><li>• Remonter. S'assurer que le chapeau soit bien appuyé sur sa base.</li></ul>	<ul style="list-style-type: none"><li>• Les éclaboussures d'aliments acides ou très sucrées détériorent l'émail vitrifié.</li><li>• Nettoyer immédiatement les salissures dès que l'appareil a assez refroidi pour y toucher.</li><li>• Ne pas utiliser une éponge ou une serviette mouillée sur de la porcelaine chaude.</li><li>• Ne pas immerger les chapeaux des brûleurs.</li><li>• Toujours utiliser une pression minimale avec des produits nettoyants abrasifs.</li><li>• Sécher soigneusement après le nettoyage.</li></ul>
Boutons de commande et oeillets	<ul style="list-style-type: none"><li>• Eau chaude savonneuse; rincer et sécher immédiatement.</li><li>• Pour retirer les oeillets, consulter la section « Retrait du bouton de commande du brûleur ».</li><li>• Pour retirer les boutons, il suffit de les soulever directement.</li></ul>	<ul style="list-style-type: none"><li>• Ne pas immerger les boutons de commande ni les oeillets.</li><li>• Ne pas utiliser de produits nettoyants abrasifs ou des tampons à récurer comme Bon Ami®, Ajax® ou Comet®. Ils peuvent endommager le fini de façon permanente ou enlever les dessins.</li><li>• Ne pas tirer sur des oeillets au retrait ou au remplacement.</li></ul>
Finis extérieur/Acier inoxydable	<ul style="list-style-type: none"><li>• Produits nettoyants non abrasifs : Eau chaude et détergent, Fantastic®, Formula 409®. Rincer et sécher immédiatement.</li><li>• Agent polissant : Stainless Steel Magic® pour protéger le fini des taches et de la corrosion; améliorer l'apparence.</li><li>• Taches de calcaire : Vinaigre blanc domestique.</li><li>• Produits nettoyants légèrement abrasifs : Nettoyant liquide pour acier inoxydable Kleen King, Bon Ami®.</li><li>• Décoloration due à la chaleur : Bar Keepers Friend®</li></ul>	<ul style="list-style-type: none"><li>• Ne pas utiliser de tampons métalliques. Ils rayeront la surface.</li><li>• L'acier inoxydable résiste à la plupart des taches alimentaires et aux marques de corrosion pourvu que la surface soit propre et protégée.</li><li>• Ne jamais laisser des taches alimentaires ou du sel sur de l'acier inoxydable.</li><li>• Frotter délicatement dans la direction du grain.</li><li>• Le chlore ou les composés chlorés contenus dans certains produits nettoyants peuvent oxyder l'acier inoxydable. Vérifier les ingrédients sur l'étiquette avant d'utiliser le produit.</li></ul>

Pièces/matière de la table de cuisson	Produits nettoyants suggérés	Rappels importants
Grilles et grille de pont/ Émail vitrifiée sur fonte	<ul style="list-style-type: none"> <li>• Produits nettoyants non abrasifs : Eau chaude et détergent, Fantastic®, Formula 409®. Rincer et sécher immédiatement.</li> <li>• Produits nettoyants légèrement abrasifs : Bon Ami® et Soft Scrub®.</li> <li>• Produits nettoyants pour taches tenaces : Tampons métalliques savonneux.</li> </ul>	<ul style="list-style-type: none"> <li>• Les grilles sont lourdes; les soulever avec prudence. Déposer sur une surface protégée pour les nettoyer.</li> <li>• Les boursouflures, les fendillements et les éclats sont courants en raison des températures extrêmes sur les pattes des grilles et des changements rapides de températures.</li> <li>• Les éclaboussures d'aliments acides ou très sucrées détériorent l'émail. Nettoyer immédiatement les salissures dès que l'appareil a assez refroidi pour y toucher.</li> <li>• Un produit nettoyant abrasif utilisé trop vigoureusement ou souvent peut éventuellement marquer l'émail.</li> <li>• Ne pas nettoyer dans un four autonettoyant.</li> </ul>
Allumeurs/céramique	<ul style="list-style-type: none"> <li>• Essuyer délicatement avec un coton-tige avec de l'eau, de l'ammoniaque ou du Formula 409®.</li> <li>• Retirer délicatement les salissures à l'aide d'un cure-dent.</li> </ul>	<ul style="list-style-type: none"> <li>• Éviter les excès d'eau sur l'allumeur. Un allumeur humide empêchera le brûleur de s'allumer.</li> <li>• Enlever les éventuelles peluches pouvant subsister après le nettoyage.</li> </ul>

## Entretien

Pour bien fonctionner, l'électroménager exige seulement un nettoyage régulier. Aucun autre entretien n'est nécessaire.

Pour des consignes détaillées, consulter → "Nettoyage et entretien" à la page 28

# Dépannage

## Dépannage

Avant de contacter le service à la clientèle, veuillez songer à suivre les suggestions et les instructions ci-dessous :

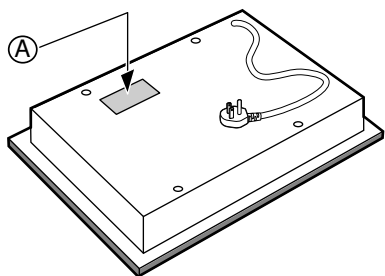
### ⚠ ATTENTION

Les réparations devraient être effectuées uniquement par un réparateur autorisé. Des réparations inappropriées sur votre appareil peuvent mener à des risques de blessures graves ou de décès.

Problème	Suggestion
Brûleur ne s'allume pas / Aucune étincelle à l'allumeur	<ul style="list-style-type: none"><li>• S'assurer que le robinet d'arrêt du gaz est à la position ouverte (ON) et que la résidence est alimentée en gaz.</li><li>• S'assurer que les chapeaux, les bases et les ports du brûleur ne sont pas obstrués. Si obstrués, nettoyer les ports avec un fil ou un trombone étiré.</li><li>• S'assurer que les allumeurs sont propres et secs.</li><li>• Vérifier l'alimentation. L'apport électrique doit être adéquatement mis à la terre en respectant la polarité. S'assurer que l'appareil soit branché et que le disjoncteur, fermé.</li></ul>
La flamme du brûleur s'éteint soudainement	S'assurer de l'absence de courant d'air dans la pièce.
Les allumeurs produisent des étincelles même lorsque les boutons de commande sont en position d'arrêt	Après le raccordement à l'alimentation pour la première fois ou après une panne électrique, il est possible que des allumeurs se déclenchent une ou deux fois même si les boutons de commande des brûleurs sont en position d'arrêt.
Les résultats de la cuisson ne sont pas ceux escomptés	<ul style="list-style-type: none"><li>• La table de cuisson n'est pas de niveau.</li><li>• La casserole n'est pas adaptée à la surface utilisée. → "<i>Ustensile adéquat</i>" à la page 27</li><li>• Les ustensiles ne sont pas du type ou de la taille recommandé(e). → "<i>Ustensile adéquat</i>" à la page 27</li></ul>

## Plaque signalétique du produit

La plaque signalétique comporte le numéro de modèle et le numéro FD (numéro de production/code unique d'identification) de la table de cuisson. Elle est située sur le dessous de la table de cuisson.



## Emplacement de la plaque signalétique

A Plaque signalétique

## Numéro de modèle et numéro FD

Le numéro de modèle et le numéro FD de l'électroménager figurent sur la plaque signalétique. Prendre ces numéros en note dans l'espace ci-dessous pour sauver du temps, au cas où l'électroménager aurait besoin d'être réparé.

No de modèle	No FD
Service après-vente de Bosch	800-944-2904

Conservez votre facture ou votre contrat aux fins de validation de garantie si jamais vous avez besoin d'une réparation.

# ÉNONCÉ DE LA GARANTIE LIMITÉE

## Couverture de la garantie :

La garantie limitée fournie par BSH Home Appliances Ltd. (« BSH ») dans le présent énoncé de garantie limitée s'applique seulement aux Bosch appareil (« Produit ») vendu au premier acheteur, en autant que le produit ait été acheté :

- pour une utilisation normale résidentielle (non commerciale), et qu'en fait en tout temps a été utilisé pour un usage domestique normal ;
- nouveau au détail (non en montre, tel quel ou un retour), qu'il n'est pas destiné à la revente ni à un usage commercial et ;
- aux États-Unis ou au Canada et qu'il est demeuré en tout temps dans le pays où l'appareil a été acheté.

Les garanties données ici s'appliquent seulement au premier acheteur du produit et ne sont pas transférables. S'assurer de retourner la carte d'enregistrement, quoiqu'elle n'est pas nécessaire pour la garantie, c'est la façon dont BSH peut vous aviser dans le cas d'un avis de rappel ou de sécurité du produit.

## Durée de la garantie

BSH garantit que le produit ne présente aucun défaut de matériaux ou de fabrication pour une période trois cent soixante cinq (365) jours à compter de la date d'achat. La durée commence à la date d'achat et ne sera pas allongée, prolongée, interrompue pour quelle que raison que ce soit.

Ce Produit est également garanti contre tout défaut de matériau et de fabrication *apparent* (tels les éraflures sur l'acier inoxydable, les défauts d'aspect de la peinture ou de la porcelaine, les ébréchures, les bosselures, ou autres dégâts au fini du Produit), pendant une période de trente (30) jours à compter de la date d'achat ou de la date de clôture pour une nouvelle construction. Cette garantie relative à *l'apparence* exclut les légères variations de couleur découlant des différences inhérentes aux pièces peintes et en porcelaine, ainsi que découlant des différences causées par l'éclairage de cuisine, l'emplacement du produit ou d'autres facteurs similaires. Cette garantie relative à *l'apparence* exclut plus particulièrement tout appareil électroménager en exposition, de plancher, « En l'état » ou de stock « B ».

## Réparation ou remplacement comme solution exclusive

Pendant la période de garantie, BSH ou un de ses centres de service autorisés réparera le produit sans frais (sujet à certaines limitations indiquées dans le présent document), si le produit présente un défaut de fabrication ou de matériaux. Si des tentatives raisonnables pour réparer le produit sont vaines, alors BSH remplacera le produit (un modèle supérieur peut être disponible, à la seule discrétion de BSH, moyennant des frais additionnels). Toutes les pièces ou les composants enlevés demeurent la seule propriété de BSH. Toute pièce et tout composant réparés doit être identique à la pièce d'origine à des fins de cette garantie et la garantie ne sera pas prolongée en regard de telles pièces. La seule responsabilité de BSH est de faire réparer le produit défectueux par un centre de service autorisé pendant les heures d'affaires normales. Pour la sécurité et éviter des dommages à la propriété, BSH recommande fortement de ne pas réparer le produit soi-même, par une personne non qualifié ; BSH ne sera pas tenu responsable des réparations ou du travail effectué par une personne non autorisée. Si le consommateur désire faire réparer par une personne autre qu'une personne autorisée, CETTE GARANTIE EST AUTOMATIQUEMENT NULLE ET NON AVENUE. Les centres de service autorisés sont les personnes ou les compagnies qui ont été spécialement formées sur les produits BSH et qui possèdent, selon l'opinion de BSH, une réputation supérieure pour le service à la clientèle et la capacité technique (il est à noter qu'elles sont des entités indépendantes et non des agents, partenaires, affiliations ou représentants de BSH). Nonobstant ce qui suit, BSH ne sera pas tenu responsable d'aucune façon si le produit est situé dans une région éloignée (supérieure à 100 miles d'un centre de service autorisé) ou n'est pas accessible de façon raisonnable, dans un environnement hasardeux, dangereux ; dans une telle éventualité, à la demande du consommateur, BSH pourrait payer les frais de main-d'oeuvre et de pièces et expédier les pièces à un centre de service autorisé le plus près, mais le consommateur serait entièrement responsable pour toute durée de déplacement et autres frais spéciaux encourus par le centre de service, en autant qu'il accepte l'appel de service.

## Produit hors garantie

BSH n'a aucun obligation, par loi ou autre, d'offrir toute concession, incluant réparation, prorata ou remplacement de produit une fois la garantie expirée.



## Exclusions à la garantie

La couverture de garantie décrite aux présentes exclut tout défaut ou dommage qui n'est pas une faute directe de BSH, y compris sans limitation, un ou plusieurs des cas suivants :

- utilisation du produit autre qu'un usage normal, habituel et de la façon destinée (incluant sans limitation toute forme d'utilisation commerciale, d'utilisation ou de rangement d'un produit pour l'intérieur à l'extérieur, utilisation du produit de concert avec un transporteur aérien ou marin) ;
- mauvaise conduite, négligence, mauvaise utilisation, abus, accidents, fonctionnement inadéquat, mauvais entretien, installation inadéquate ou négligente, altération, manquement d'observer les instructions de fonctionnement, mauvaise manipulation, service non autorisé (incluant réparation par le consommateur ou exploration du fonctionnement interne du produit) ;
- ajustement, modification ou altération de toute sorte ;
- manquement à la conformité des normes applicables fédérales, provinciales, municipales ou électrique du pays, codes de plomberie et/ou de construction, réglementation ou lois, incluant le manquement d'installer le produit en stricte conformité avec les codes et réglementations de construction et d'incendie locaux ;
- usure ordinaire, déversements d'aliments, liquide, accumulation de graisse ou autres substances accumulées dans, sur ou autour du produit ;
- toute force ou tout facteur externe, élémentaire et/ou environnemental, incluant sans limitation, pluie, vent, sable, inondation, incendie, coulée de boue, gel, humidité excessive et exposition prolongée à l'humidité, foudre, surtension, problème de structure autour de l'appareil et actes de Dieu.

En aucun cas, BSH ne sera tenu responsable des dommages survenus à la propriété, incluant les armoires, planchers, plafonds et autres objets ou structures autour du produit. Également exclus de la garantie sont des produit sur lequel le numéro de série a été modifié, altéré, effacé, enlevé ; appel de service pour enseigner le fonctionnement du produit ou les visites où il n'y a aucun problème avec le produit ; correction de problèmes d'installation (le consommateur est seul responsable pour toute structure et tout réglage du produit, incluant l'électricité, la plomberie et autres connexions nécessaires, pour un plancher/fondation appropriée, et pour toute modification incluant, sans limitation, armoire, mur, plancher, tablette, etc.) et la remise de coupe-circuit ou remplacement de fusible.

SELON LA PORTÉE PERMISE PAR LA LOI, CETTE GARANTIE DONNE DES SOLUTIONS EXCLUSIVE RELATIVEMENT AU PRODUIT, QUE LA RÉCLAMATION SURVIENNE PAR CONTRAT OU TORT (INCLUANT RESPONSABILITÉ STRICTE OU NÉGLIGENCE) OU AUTRE. CETTE GARANTIE EST EN LIEU DE TOUTE AUTRE GARANTIE, EXPRESSE OU IMPLICITE, TOUTE GARANTIE PAR LOI, À DES FINS DE COMMERCIALISATION OU À DES FINS PARTICULIÈRES, OU AUTRE, SERA EN VIGUEUR SEULEMENT POUR LA PÉRIODE EFFECTIVE DE LA GARANTIE LIMITÉE EXPRESSE. EN AUCUN CAS, LE

FABRICANT NE PEUT ÊTRE TENU RESPONSABLE DES DOMMAGES ACCESSOIRES, SPÉCIAUX, INDIRECTS, PERTES D'AFFAIRES, ET/OU DOMMAGES PUNITIFS, PERTES, FRAIS INCLUANT SANS LIMITATION LE MANQUEMENT AU TRAVAIL, REPAS À L'HÔTEL ET/OU AU RESTAURANT, FRAIS DE REMODELAGE SURVENUS À CAUSE DE DOMMAGES DIRECTS DÉFINITIVEMENT CAUSÉS EXCLUSIVEMENT PAR BSH OU AUTRE. CERTAINS ÉTATS NE PERMETTENT PAS L'EXCLUSION OU LA LIMITATION DES DOMMAGES ACCESSOIRES OU INDIRECTS ET NE PERMETTENT PAS LA LIMITATION SUR LA DURÉE D'UNE GARANTIE IMPLICITE, PAR CONSÉQUENT LES LIMITATIONS SUSMENTIONNÉES PEUVENT NE PAS S'APPLIQUER. CETTE GARANTIE DONNE DES DROITS SPÉCIFIQUES ET IL PEUT Y EN AVOIR D'AUTRES QUI VARIENT D'UN ÉTAT À L'AUTRE.

Aucune tentative de modifier, changer ou amender cette garantie ne peut être effective sans le consentement écrit autorisé par un officier de BSH.







**8001089282**

970912



**BOSCH**

Invented for life

1901 Main Street, Suite 600 • Irvine, CA 92614 • 800-944-2904  
[www.bosch-home.com](http://www.bosch-home.com) • © 2017 BSH Home Appliances