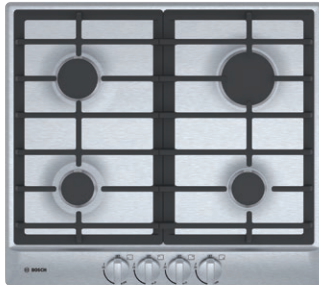


24" Gas Cooktop

500 Series – Stainless Steel NGM5456UC



BOSCH
Invented for life



NGM5456UC
Stainless Steel

The 24" gas cooktop is engineered to perform precisely and is ideal for kitchens with a smaller footprint.

Features & Benefits

11,500 BTU burner for optimal cooking results

Heavy-duty metal knobs for a premium look and feel

Electronic re-ignition will automatically re-ignite the burner in case the flame goes out

Seamless, one-piece stainless steel design makes clean-up simple

Continuous grates make moving heavy pots easier

General Properties

| | |
|----------------|-----------|
| Knob material | Metal |
| Sealed burners | Yes |
| Grate material | Cast iron |

Element Performance

| | |
|---------------------------------------|-----------------|
| Total BTU load (NG / LP) | 30,800 / 27,000 |
| Power of front left burner (NG / LP) | 5,000 / 5,000 |
| Power of back left burner (NG / LP) | 9,300 / 7,000 |
| Power of back right burner (NG / LP) | 11,500 / 10,000 |
| Power of front right burner (NG / LP) | 5,000 / 5,000 |

Technical Details

| | |
|----------------------------------|---------|
| Watts | 360 W |
| Circuit breaker | 15 A |
| Volts | 120 V |
| Frequency | 60 Hz |
| Plug type | 3 prong |
| Power cord length | 60" |
| Energy source | Gas |
| Convertible to LP (kit required) | Yes |

Dimensions & Weight

| | |
|--------------------------------------|----------------------------|
| Overall appliance dimensions (HxWxD) | 2 3/4" x 23" x 20 1/2" |
| Required cutout size (HxWxD) | 2 3/4" x 20 7/8" x 19 1/4" |
| Minimum distance from counter front | 1 3/4" |
| Minimum distance from rear wall | 3" |
| Net weight | 32 lbs |

Accessories – Included

| | |
|----------|-------------------|
| Included | LP conversion kit |
|----------|-------------------|



For help and assistance with Bosch accessories please visit: www.bosch-eshop.com/eshop/bosch/us or call 1-800-944-2904 Mon-Fri 5am to 6pm PST Sat 6am to 3pm PST

Notes: All height, width and depth dimensions are shown in inches. BSH reserves the absolute and unrestricted right to change product materials and specifications, at any time, without notice. Consult the product's installation instructions for final dimensional data and other details prior to making cutout. Applicable product warranty can be found in accompanying product literature or you may contact your account manager for further details.

Warranties: Bosch warrants that the Product is free from defects in materials and workmanship for a period of three hundred and sixty-five (365) days from the date of purchase. The foregoing timeline begins to run upon the date of purchase, and shall not be stalled, tolled, extended, or suspended, for any reason whatsoever. This Product is also warranted to be free from cosmetic defects in material and workmanship (such as scratches of stainless steel, paint/porcelain blemishes, chip, dents, or other damage) to the finish of the Product, for a period of thirty (30) days from the date of purchase or closing date for new construction. This cosmetic warranty excludes slight color variations due to inherent differences in painted and porcelain parts, as well as differences caused by kitchen lighting, product location, or other similar factors. This cosmetic warranty specifically excludes any display, floor, "As Is", or "B" stock appliances.

For more information on our entire line of products, go to www.bosch-home.com/us or call 1-800-944-2904

© BSH Home Appliances Corporation. All rights reserved. Bosch is a registered trademark of Robert Bosch GmbH.

05/17

24" Gas Cooktop

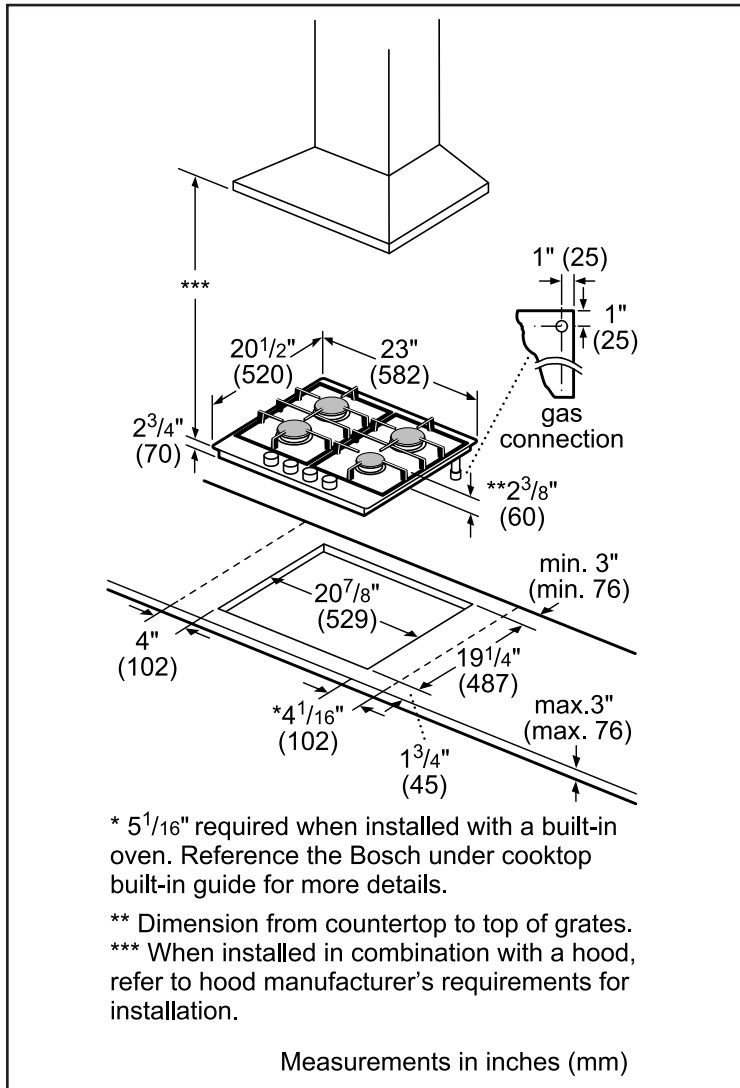
500 Series – Stainless Steel NGM5456UC



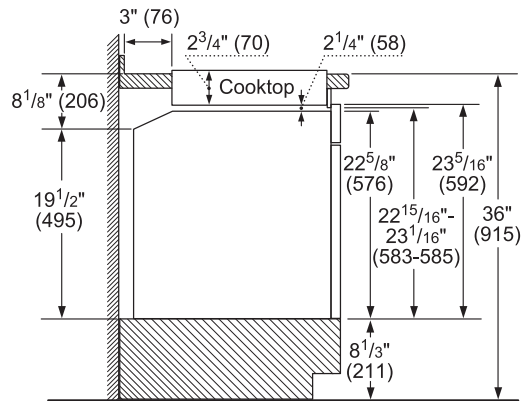
BOSCH

Invented for life

Installation Details



Installation above Wall Ovens

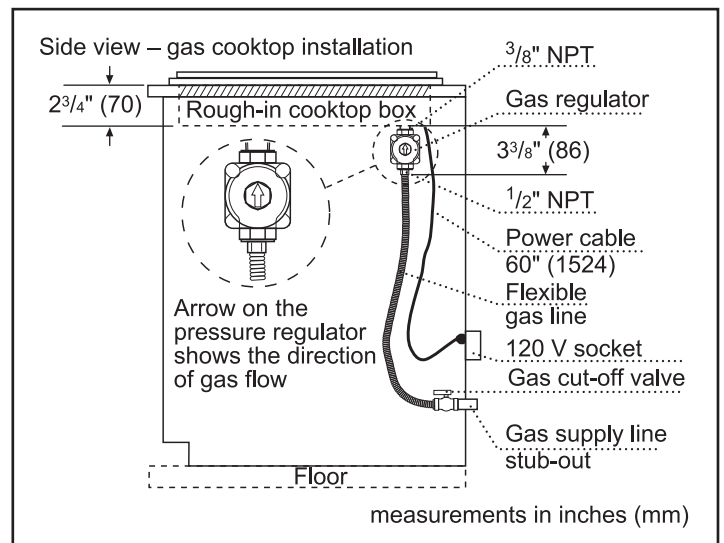


Notes: Dimensions based on standard countertop height (36" with 4³/₄" toe kick including base plate).

The built-in oven can be installed below the cooktop as long as there is at least 2¹/₄" (58) of space between the bottom flat surface of the cooktop and the top of the oven.

Please allow at least 2" (51) from the countertop front edge to the edge of the cutout.

measurements in inches (mm)



For help and assistance with Bosch accessories please visit: www.bosch-eshop.com/eshop/bosch/us or call 1-800-944-2904 Mon-Fri 5am to 6pm PST Sat 6am to 3pm PST

Notes: All height, width and depth dimensions are shown in inches. BSH reserves the absolute and unrestricted right to change product materials and specifications, at any time, without notice. Consult the product's installation instructions for final dimensional data and other details prior to making cutout. Applicable product warranty can be found in accompanying product literature or you may contact your account manager for further details.

Warranties: Bosch warrants that the Product is free from defects in materials and workmanship for a period of three hundred and sixty-five (365) days from the date of purchase. The foregoing timeline begins to run upon the date of purchase, and shall not be stalled, tolled, extended, or suspended, for any reason whatsoever. This Product is also warranted to be free from cosmetic defects in material and workmanship (such as scratches of stainless steel, paint/porcelain blemishes, chip, dents, or other damage) to the finish of the Product, for a period of thirty (30) days from the date of purchase or closing date for new construction. This cosmetic warranty excludes slight color variations due to inherent differences in painted and porcelain parts, as well as differences caused by kitchen lighting, product location, or other similar factors. This cosmetic warranty specifically excludes any display, floor, "As Is", or "B" stock appliances.

For more information on our entire line of products, go to www.bosch-home.com/us or call 1-800-944-2904

© BSH Home Appliances Corporation. All rights reserved. Bosch is a registered trademark of Robert Bosch GmbH.

24" Gas Cooktop

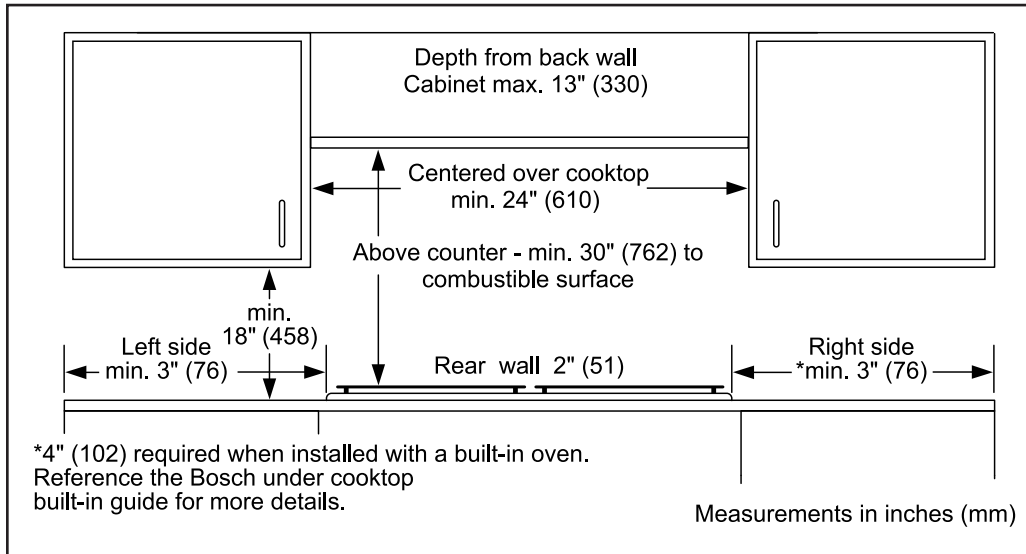
500 Series – Stainless Steel NGM5456UC



BOSCH
Invented for life



Installation Details



For help and assistance with Bosch accessories please visit: www.bosch-eshop.com/eshop/bosch/us or call 1-800-944-2904 Mon-Fri 5am to 6pm PST Sat 6am to 3pm PST

Notes: All height, width and depth dimensions are shown in inches. BSH reserves the absolute and unrestricted right to change product materials and specifications, at any time, without notice. Consult the product's installation instructions for final dimensional data and other details prior to making cutout. Applicable product warranty can be found in accompanying product literature or you may contact your account manager for further details.

Warranties: Bosch warrants that the Product is free from defects in materials and workmanship for a period of three hundred and sixty-five (365) days from the date of purchase. The foregoing timeline begins to run upon the date of purchase, and shall not be stalled, tolled, extended, or suspended, for any reason whatsoever. This Product is also warranted to be free from cosmetic defects in material and workmanship (such as scratches of stainless steel, paint/porcelain blemishes, chip, dents, or other damage) to the finish of the Product, for a period of thirty (30) days from the date of purchase or closing date for new construction. This cosmetic warranty excludes slight color variations due to inherent differences in painted and porcelain parts, as well as differences caused by kitchen lighting, product location, or other similar factors. This cosmetic warranty specifically excludes any display, floor, "As Is", or "B" stock appliances.

For more information on our entire line of products, go to www.bosch-home.com/us or call 1-800-944-2904

© BSH Home Appliances Corporation. All rights reserved. Bosch is a registered trademark of Robert Bosch GmbH.

05/17