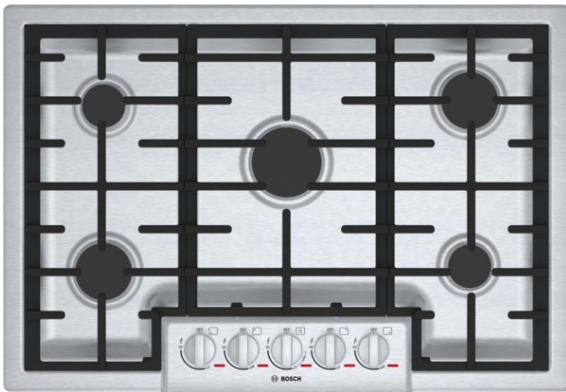


Cooktops

30" Gas Cooktop Benchmark Series - Stainless Steel NGMP055UC



The Benchmark Series Gas Cooktop Features a 20,000 BTU Dual-stacked Burner, Allowing Flexibility to Cook on High Heat or Simmer

- Five Burners in a 30" Cooktop to Cook More Dishes at Once
- Powerful 20,000 BTU Dual-stacked Center Burner
- Powerful Center Burner Designed for Faster Boil Time and a Low Simmer
- Heavy-duty Metal Knobs for a Premium Look and Feel
- Distinctive Red LED light Indicates Burners are On

Technical Data

| | |
|---|--------------------------------|
| Knob Material : | Full metal |
| Sealed Burners : | Yes |
| Type of grate : | Cast iron |
| Natural Gas Connection Rating (BTU) : | 49200 |
| LP Gas Connection Rating (BTU) : | 43200 |
| Power of 1st burner (BTU) : | 9100 |
| Power of 2nd burner (BTU) : | 5500 |
| Power of 3rd burner (BTU) : | 20000 |
| Power of 4th burner (BTU) : | 9100 |
| UPC code : | 825225906889 |
| Variant color : | Stainless steel |
| Energy source : | Gas |
| Gas type : | Natural gas 15 mbar (USA) |
| Alternative gas type : | Liquid gas 27,5 mbar (USA) |
| Watts (W) : | 360 |
| Current (A) : | 15 |
| Volts (V) : | 120 |
| Frequency (Hz) : | 60 |
| Approval certificates : | CSA |
| Power cord length (in) : | 60" |
| Power cord length (cm) : | 152 |
| Plug type : | 120V-3 prong |
| Required cutout size (HxWxD) (in) : | |
| | 3 13/16" x 28 15/16" x 19 1/8" |
| Required cutout size (HxWxD) (mm) : | 97 x 735-735 x 486-486 |
| Minimum distance from counter front (in) : | 1 7/8" |
| Minimum distance from rear wall (in) : | 3" |
| Overall appliance dimensions (HxWxD) (in) : | |
| | +3 13/16" x 31" x 21 1/4" |
| Overall appliance dimensions (HxWxD) (mm) : | 97 x 788 x 540 |
| Product packaging dimensions (HxWxD) (in) : | |
| | 8 3/8" x 37 1/8" x 24 3/4" |
| Net weight (lbs) : | 38 |
| Net weight (kg) : | 17.0 |
| Gross weight (lbs) : | 46 |
| Gross weight (kg) : | 21.0 |
| Total number of cooktop burners : | 5 |

Included accessories

- 1 x nozzle set for liquid gas
- 1 x cast iron pan support

Cooktops

30" Gas Cooktop Benchmark Series - Stainless Steel NGMP055UC

The Benchmark Series Gas Cooktop Features a 20,000 BTU Dual-stacked Burner, Allowing Flexibility to Cook on High Heat or Simmer

Design

- Heavy-Duty Metal Knobs for a Premium Look and Feel
- Low-Profile Design for an Integrated Appearance
- Centralized Controls for Easy Use and Intuitive Operation of the Cooktop
- Cooktop Design Coordinates with Bosch Ovens and Ventilation

Performance

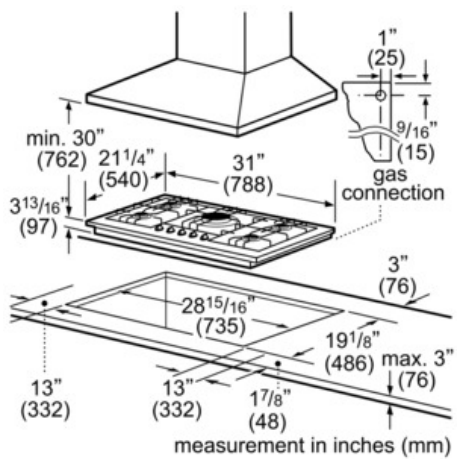
- Powerful 51,000 BTU Burners (Natural Gas)
- Five Burner 30" Cooktop--Same Versatility of 36" Cooktop in Compact 30" Format. For Kitchens Where Space is Limited

Convenience

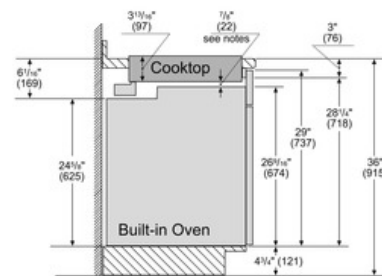
- Sealed Burners Prevent Spills from Entering the Burner Box
- Push-to-Turn Knobs
- Automatic Electronic Re-Ignition --In Case Flame Goes Out, the Burner is Automatically Re-Ignited
- LP Conversion Kit Included for Easy Conversion from Natural Gas to Liquid Propane

Cooktops

30" Gas Cooktop Benchmark Series - Stainless Steel NGMP055UC



30" Built-in oven - under gas cooktop



Notes:

Dimensions based on standard countertop height (36" with 4 1/4" toe kick including base plate).

The built-in oven can be installed below the gas cooktop as long as there is no contact between the bottom of the cooktop and the top of the oven.

measurements in inches (mm)