

# 30" Built-In Custom Panel Single Door Refrigerator

Benchmark® Series – Custom Panel B30IR800SP



**B30IR800SP**  
Custom Panel

**The 30" Custom Panel Single door built-in refrigerator works efficiently by providing healthy living by keeping food fresher longer.**

## Features & Benefits

Installs either completely flush or framed.

Bright all LED lighting shines throughout the entire interior.

Optiflex® Hinge allows flush-mount doors with no worry about cabinetry.

ENERGY STAR® qualified for energy efficiency.

## General Properties

Reversible door hinge	Yes
Water filter	No
Lighting	LED sidewall and theater lighting
Defrost process	Frost-free
Number of shelves	7
Adjustable shelves	3
Shelf material	Glass w/ metal trim
Type of shelves	3 adjustable, 4 full width
Gallon storage bins	Yes
Humidity control drawer	Yes
Ice maker	No
Quick ice	No

## Capacity

Total unit gross capacity (cu. ft.) - AHAM	17.2 cu. ft.
--	--------------

## Technical Details

Watts (W)	180 W
Current (A)	15 A
Volts (V)	120 V
Frequency (Hz)	60 Hz
Power cord length (in.)	78 3/4"
Plug type	3-Prong



## Dimensions & Weight

Appliance dimensions (H x W x D) (in.)	84" x 29 3/4" x 24 3/4"
Required cutout size (H x W x D) (in.)	84" x 30" x 24 3/4" or 25"
Net weight (lbs)	261 lbs

## Efficiency

ENERGY STAR® qualified	YES
Energy consumption (kWh/yr)	310 kWh

**For help and assistance with Bosch accessories please call 1-800-944-2904 Mon-Fri 8am to 6pm EST**

Notes: All height, width and depth dimensions are shown in inches. BSH reserves the absolute and unrestricted right to change product materials and specifications, at any time, without notice. Consult the product's installation instructions for final dimensional data and other details prior to making cutout. Applicable product warranty can be found in accompanying product literature or you may contact your account manager for further details.

Warranties: Bosch warrants that the Product is free from defects in materials and workmanship for a period of three hundred and sixty-five (365) days from the date of purchase. The foregoing timeline begins to run upon the date of purchase, and shall not be stalled, tolled, extended, or suspended, for any reason whatsoever. This Product is also warranted to be free from cosmetic defects in material and workmanship (such as scratches of stainless steel, paint/porcelain blemishes, chip, dents, or other damage) to the finish of the Product, for a period of thirty (30) days from the date of purchase or closing date for new construction. This cosmetic warranty excludes slight color variations due to inherent differences in painted and porcelain parts, as well as differences caused by kitchen lighting, product location, or other similar factors. This cosmetic warranty specifically excludes any display, floor, "As Is", or "B" stock appliances.

**For more information on our entire line of products, go to [www.bosch-home.com/ca](http://www.bosch-home.com/ca) or call 1-800-944-2904**

© BSH Home Appliances Limited. All rights reserved. Bosch is a registered trademark of Robert Bosch GmbH.

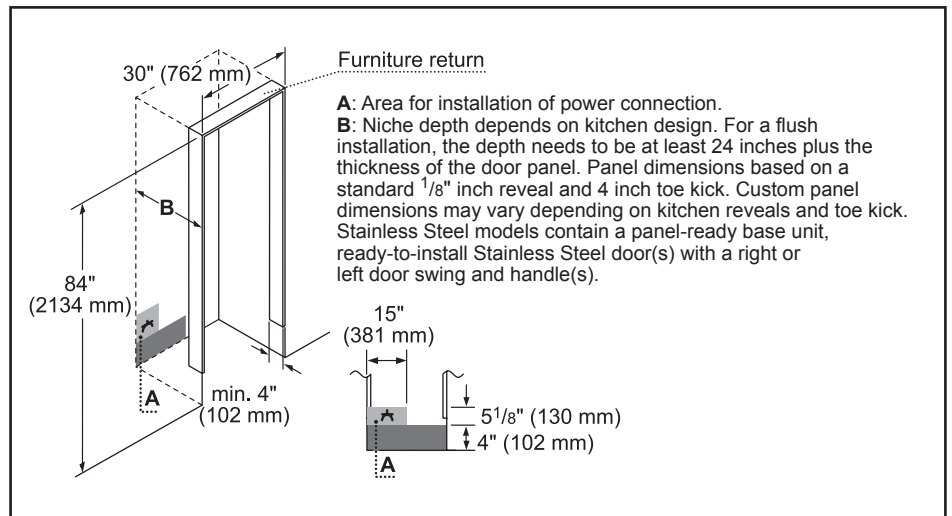
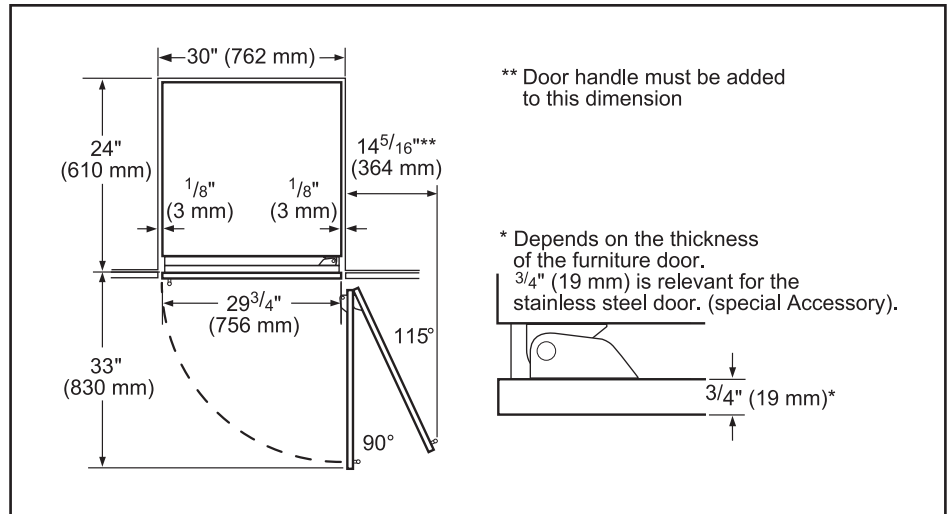
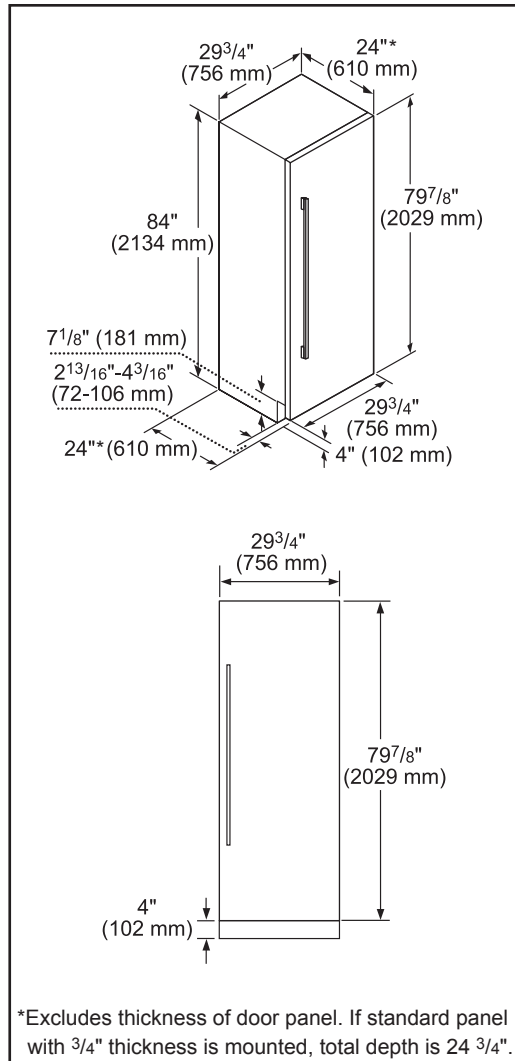
09/16

# 30" Built-In Custom Panel Single Door Freezer

Benchmark® Series – Custom Panel B30IR800SP



## Installation Details



For help and assistance with Bosch accessories please call 1-800-944-2904 Mon-Fri 8am to 6pm EST

Notes: All height, width and depth dimensions are shown in inches. BSH reserves the absolute and unrestricted right to change product materials and specifications, at any time, without notice. Consult the product's installation instructions for final dimensional data and other details prior to making cutout. Applicable product warranty can be found in accompanying product literature or you may contact your account manager for further details.

Warranties: Bosch warrants that the Product is free from defects in materials and workmanship for a period of three hundred and sixty-five (365) days from the date of purchase. The foregoing timeline begins to run upon the date of purchase, and shall not be stalled, tolled, extended, or suspended, for any reason whatsoever. This Product is also warranted to be free from cosmetic defects in material and workmanship (such as scratches of stainless steel, paint/porcelain blemishes, chip, dents, or other damage) to the finish of the Product, for a period of thirty (30) days from the date of purchase or closing date for new construction. This cosmetic warranty excludes slight color variations due to inherent differences in painted and porcelain parts, as well as differences caused by kitchen lighting, product location, or other similar factors. This cosmetic warranty specifically excludes any display, floor, "As Is", or "B" stock appliances.

For more information on our entire line of products, go to [www.bosch-home.com/ca](http://www.bosch-home.com/ca) or call 1-800-944-2904

© BSH Home Appliances Limited. All rights reserved. Bosch is a registered trademark of Robert Bosch GmbH.

09/16