

# 40" Island Chimney Hood

## Island - Glass Canopy

### DIE165RUC



#### Features and Benefits

##### Key Features

- 600 CFM Blower Included
- Sophisticated Glass Canopy
- 2 Control Panels for Easy Access from around an Island
- 4 Halogen Lights with Dimmer

##### Design

- Sophisticated Glass Canopy
- Ceiling Mounted Chimney Hood
- 4 Halogen Lights with Dimmer
- Seven-segment Digital Display
- Brushed Stainless Steel Finish

##### Performance

- 600 CFM Blower Included
- Four Power Levels
- Additional Insulation for Extremely Quiet Operation
- Quickly and Quietly Clears the Air of Smoke and Odor

##### Convenience

- 2 Control Panels for Easy Access from around an Island
- Dishwasher-safe Mesh Filters
- Adjustable Chimney

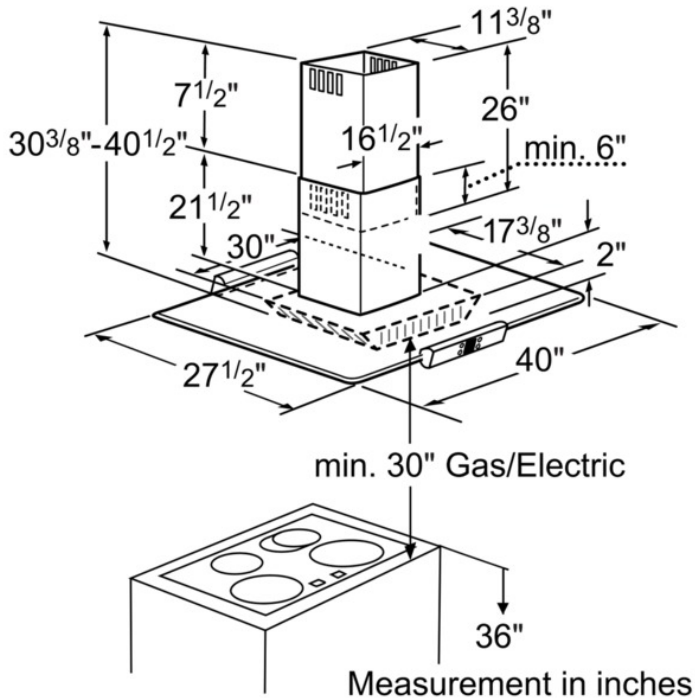
Notes: All height, width and depth dimensions are shown in inches. \*Please refer to installation instructions prior to making cutout. BSH reserves the absolute and unrestricted right to change product materials and specifications, at any time, without notice. Consult the product's installation instructions for final dimensional data and other details. Applicable product warranty can be found in a accompanying product literature or you may contact your account manager for further details.

For more information on our entire line of products, go to [boschappliances.com](http://boschappliances.com) or call 1-800-944-2904.

Copyright ©2013 BSH Home Appliances Corporation. All rights reserved. Bosch is a registered trademark of Robert Bosch GmbH.

Litho Date: 04/2013

40" Island Chimney Hood  
Island - Glass Canopy  
DIE165RUC



**Features**

Operating Mode	Ducted
Number of speed settings	3-stage
Delay Shut off modes	
Silence level (dBA)	
Required accessories	
Optional accessories	
Number of lights	4
Type of lamps used	Halogen
Total power of the lamps (W)	80
Grease filter material	Washable stainless steel
Grease filter type	Multilayer cassette
Clean filter reminders	, Electronic

**Technical Specification**

UPC code	825225854548
Material	Glass
Watts (W)	610
Current (A)	
Volts (V)	120
Frequency (Hz)	60
Approval certificates	ETL
Power cord length (in)	51 2/16 "
Plug type	120V-3 prong
Overall appliance dimensions (HxWxD) (in)	30 3/8 " - 41 3/8 " / x 39 5/16 " x 27 1/2 "
Product packaging dimensions (HxWxD) (in)	31.10 x 26.77 x 44.09
Height of the chimney (in)	28 3/8 " - 39 7/16 "
Vertical rise height	
Required distance above cooktop/ranges	30 "/30 "
Net weight (lbs)	91
Gross weight (lbs)	115
Adjustable feet	
Motor location	
Maximum CFM	600
Diameter of air duct (in) top	6
Diameter of air duct (in) back	
Discharge direction	
No-return airflow flap	No

Notes: All height, width and depth dimensions are shown in inches. \*Please refer to installation instructions prior to making cutout. BSH reserves the absolute and unrestricted right to change product materials and specifications, at any time, without notice. Consult the product's installation instructions for final dimensional data and other details. Applicable product warranty can be found in a accompanying product literature or you may contact your account manager for further details.

For more information on our entire line of products, go to [boschappliances.com](http://boschappliances.com) or call 1-800-944-2904.  
Copyright ©2013 BSH Home Appliances Corporation. All rights reserved. Bosch is a registered trademark of Robert Bosch GmbH.

Litho Date: 04/2013