

Refrigeration

The new definition of cool.



Bosch offers refrigerators in a variety of sizes and styles to integrate into any kitchen design. From our stylish counter-depth French door refrigerators, to our small, space-friendly 24" refrigerator with bottom freezer, Bosch has a solution for everyone.



Benchmark™ Refrigeration

Freshness comes built-in.

Designed to Fit Flush

The Bosch built-in refrigerator gives the ultimate integrated look for your kitchen. With the Optiflex® hinge design, the Bosch built-in refrigerator can be installed truly flush, for a European-style integration with your kitchen cabinets.



Custom Panel Options

Bosch offers custom panel refrigeration units, which enables each unit to seamlessly blend in with kitchen cabinetry.



Dual Compressors and Evaporators

The Bosch built-in refrigerators feature a separate compressor and evaporator in the refrigerator and freezer sections. They're two separate, sealed sections, for more accurate temperature control and fresher foods.





Benchmark™

Built-in Bottom-Freezers Refrigerators



B30BB830SS (Flat Stainless Panel)

B30IB800SP (Custom Panel)

- 29 3/4" x 83 3/4"
- Flush Installation
- Dual Compressor and Dual Evaporator
- Sidewall LED Lighting

30"

Stainless Steel – B30BB830SS
Custom Panel – B30IB800SP

General Properties

Reversible door hinge	Yes
Water filter	No
Lighting	LED side wall theater
Defrost process refrigerator section	Frost-free
Number of shelves – refrigerator	3
Adjustable shelves – refrigerator	2
Shelf material – refrigerator	Glass w/metal trim
Type of shelves – refrigerator	Full width
Gallon storage bins	1
Humidity control drawer	Yes – 1
Defrost process freezer section	Automatic
Number of drawers – freezer	2
Shelf material – freezer	Stainless steel
Ice maker	Yes
Quick ice	No

Capacity

Total unit gross capacity (cu. ft.) – AHAM	16 cu. ft.
Refrigerator gross capacity (cu. ft.)	11.2 cu. ft.
Freezer gross capacity (cu. ft.)	4.8 cu. ft.

Technical Details

Watts (W)	588 W
Current (A)	15 A
Volts (V)	120 V
Frequency (Hz)	60 Hz
Power cord length (in.)	78 3/4"
Plug type	120V-3 prong

Dimensions & Weight

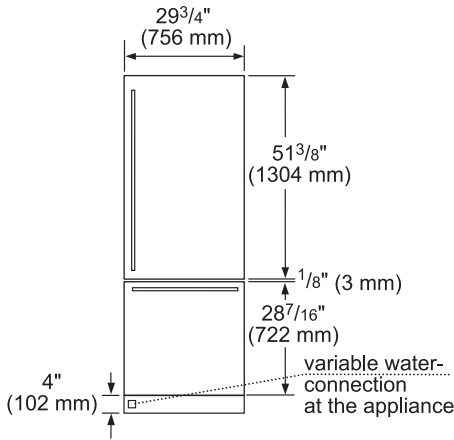
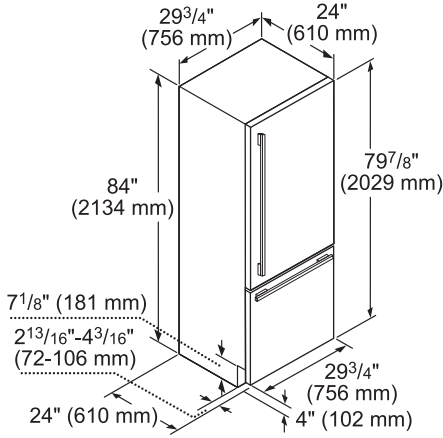
Appliance dimensions (HxWxD) (in.)	84" x 29 3/4" x 24"
Required cutout size (HxWxD) (in.)	84" x 30" x 24 3/4"
Net weight (lbs)	441 lbs

Efficiency

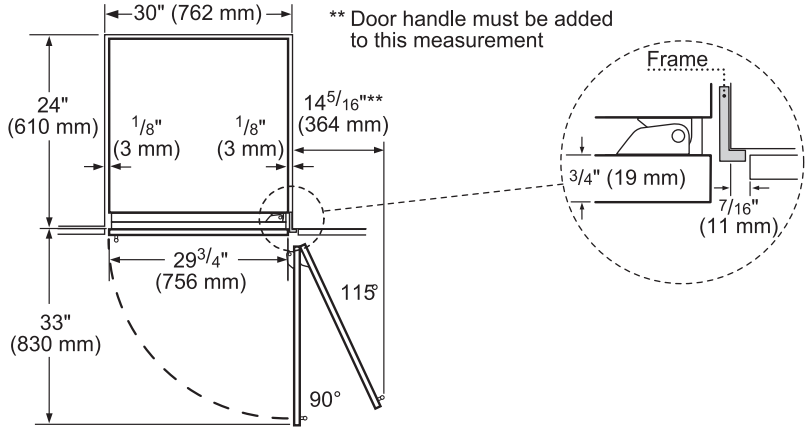
ENERGY STAR® qualified	Yes
Energy consumption (kWh / yr)	388 kWh

Benchmark™ Built-in Bottom-Freezer Refrigerators

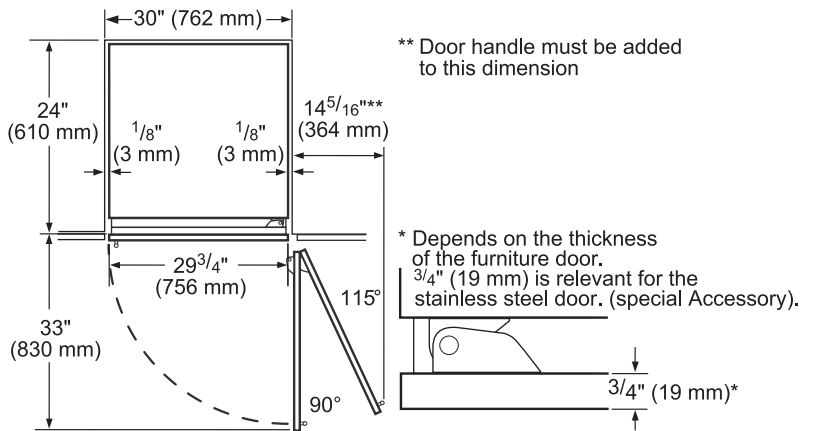
30" Built-in Bottom-Freezer Dimensions



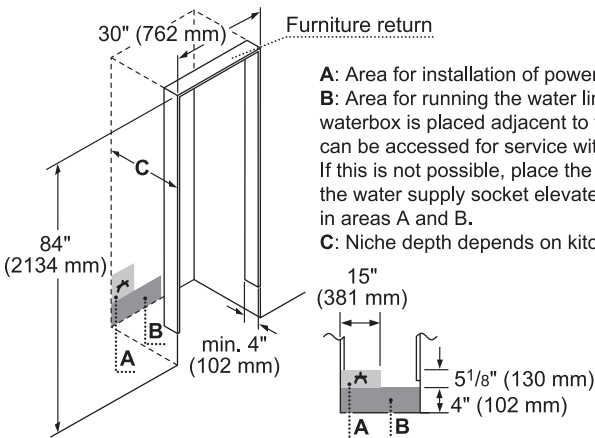
B30BB830SS Dimensions (Overhead View)



B30IB800SP Dimensions (Overhead View)



30" Built-in Bottom-Freezer Installation



- A:** Area for installation of power connection.
- B:** Area for running the water line. It is recommended that the waterbox is placed adjacent to the installation cavity, so that it can be accessed for service without uninstalling the appliance. If this is not possible, place the recessed waterbox adjacent to the water supply socket elevated at the heights as referenced in areas A and B.
- C:** Niche depth depends on kitchen design.

Benchmark™ Built-in French Door Bottom-Freezer Refrigerator



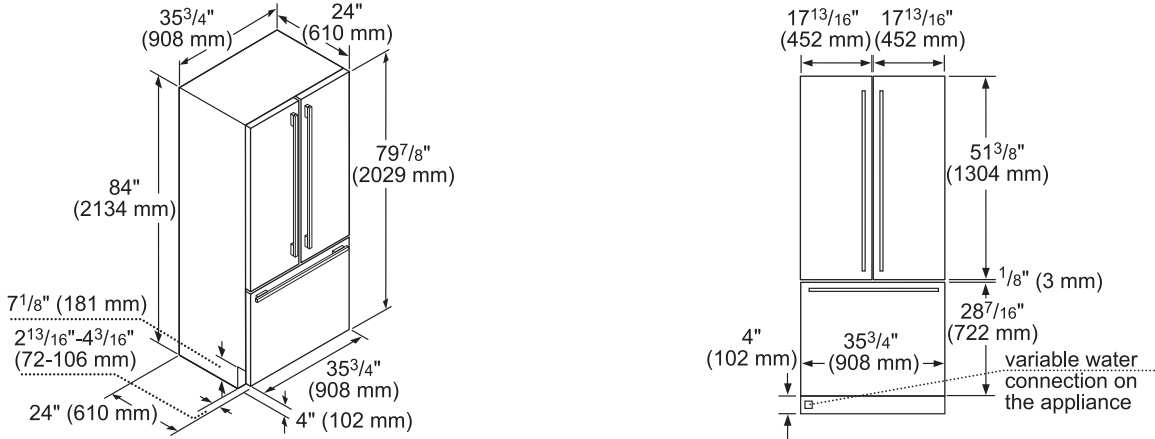
B36BT830NS

- 35 3/4" x 83 3/4" Flat Stainless Panel
- Flush Installation
- Dual Compressor and Dual Evaporator
- Sidewall LED Lighting

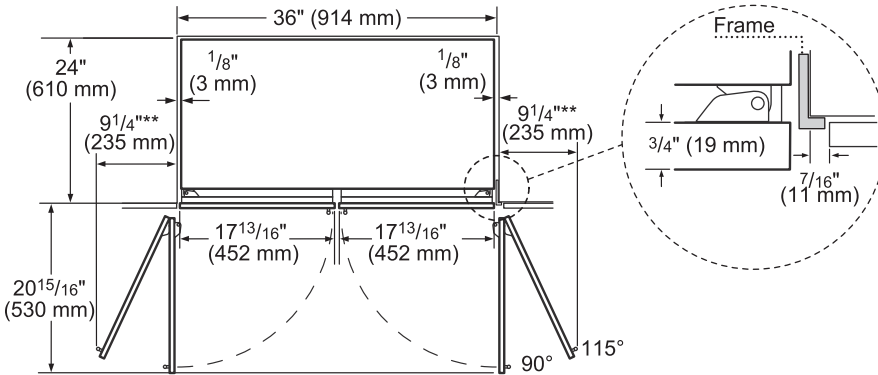
36"	
Stainless Steel – B36BT830NS	
General Properties	
Water filter	No
Lighting	LED side wall theater
Defrost process refrigerator section	Frost-free
Number of shelves – refrigerator	3
Adjustable shelves – refrigerator	2
Shelf material – refrigerator	Glass w/metal trim
Type of shelves – refrigerator	Full width
Gallon storage bins	2
Humidity control drawer	Yes – 1
Defrost process freezer section	Automatic
Number of drawers – freezer	2
Ice maker	Yes
Quick ice	No
Capacity	
Total unit gross capacity (cu. ft.) – AHAM	19.5 cu. ft.
Refrigerator gross capacity (cu. ft.)	13.8 cu. ft.
Freezer gross capacity (cu. ft.)	5.7 cu. ft.
Technical Details	
Watts (W)	588 W
Current (A)	15 A
Volts (V)	120 V
Frequency (Hz)	60 Hz
Power cord length (in.)	78 3/4"
Plug type	120V-3 prong
Dimensions & Weight	
Appliance dimensions (HxWxD) (in.)	84" x 35 3/4" x 24"
Required cutout size (HxWxD) (in.)	84" x 36" x 24 3/4"
Net weight (lbs)	543 lbs
Efficiency	
ENERGY STAR® qualified	Yes
Energy consumption (kWh / yr)	447.86 kWh

Benchmark™ Built-in French Door Bottom-Freezer Refrigerator

Dimensions

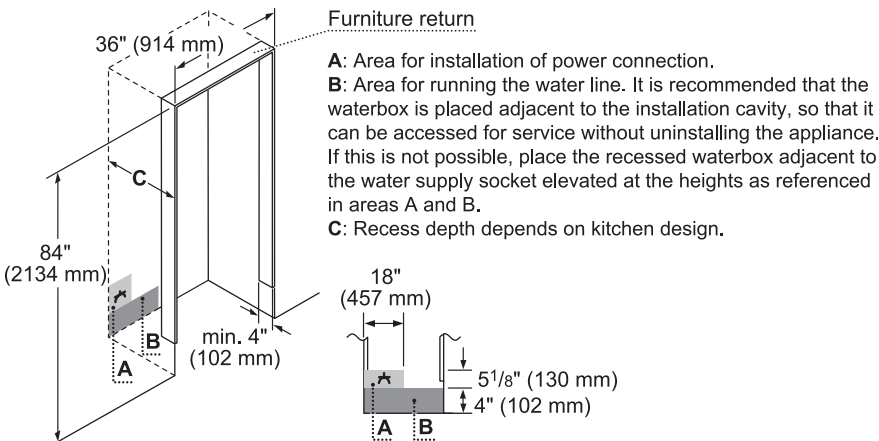


Dimensions (Overhead View)



** Door handle must be added to this measurement.

Installation



Benchmark™ Counter-Depth French Door Bottom-Freezer Refrigerator



B22CT80SNP

- 36" x 72" Counter-Depth
- Custom Panel
- Internal Water Dispenser
- LED Lighting

36" – Counter-Depth

Custom Panel – B22CT80SNP

General Properties

Water filter	Yes
Lighting	LED
Defrost process refrigerator section	Frost-free
Number of shelves – refrigerator	5
Adjustable shelves – refrigerator	4 half-width
Shelf material – refrigerator	Tempered glass
Type of shelves – refrigerator	Spill-proof glass
Gallon storage bins	2
Humidity control drawer	2
Defrost process freezer section	Automatic
Number of drawers – freezer	3
Ice maker	Yes
Quick ice	No

Capacity

Total unit gross capacity (cu. ft.) – AHAM	21.8 cu. ft.
Refrigerator gross capacity (cu. ft.)	16.27 cu. ft.
Freezer gross capacity (cu. ft.)	5.52 cu. ft.

Technical Details

Current (A)	15 A
Volts (V)	120 V
Frequency (Hz)	60 Hz
Power cord length (in.)	62"
Plug type	120V-3 prong

Dimensions & Weight

Appliance dimensions (HxWxD) (in.)	71 7/8" x 35 5/8" x 30 1/8"
Required cutout size (HxWxD) (in.)	72" x 36" x 25 5/8"
Net weight (lbs)	345 lbs

Efficiency

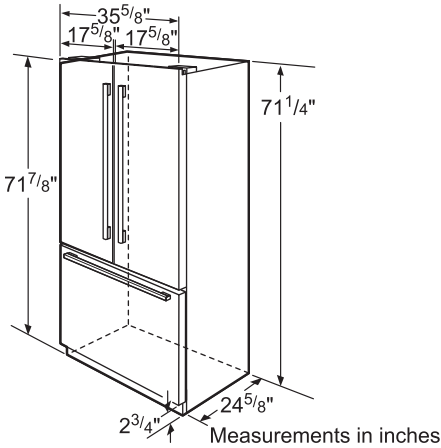
ENERGY STAR® qualified	No
Energy consumption (kWh / yr)	633 kWh

Accessories – Included

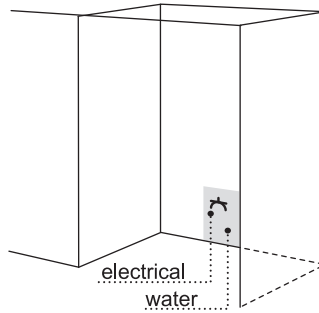
Included	Ice scoop
----------	-----------

Benchmark™ Counter-Depth French Door Bottom-Freezer Refrigerator

Dimensions



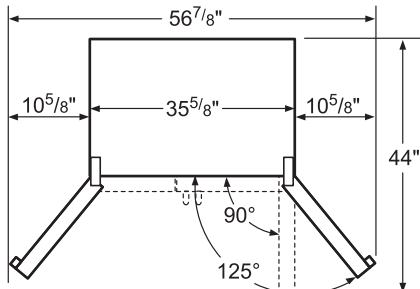
Installation



Leave a 1/2" (1.25 cm) space at the top and 1" (2.54 cm) behind the refrigerator for proper ventilation. For next-to-wall installation, leave 2-1/2" (6.3 cm) minimum on both sides for door opening. It is recommended that you do not install the refrigerator near a heat source such as oven or a range.

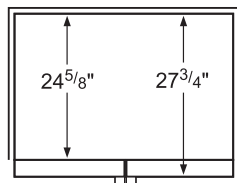
Measurements in inches

Dimensions (Overhead Views)

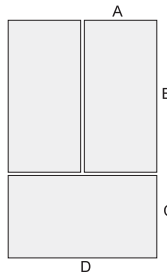


Drawers can be pulled out with door open to 90°. Drawers can be taken out with door completely opened.

measurements in inches

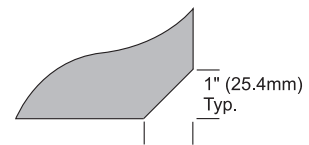


Decorator Panel Dimensions and Installation



Panel Type	Front Panel	Spacer Panel	Backing Panel*
A	17 3/4" (451 mm)	16 3/4" (425 mm)	17 3/8" (441 mm)
B	44 1/8" (1121 mm)	43 3/16" (1097 mm)	43 13/16" (1113 mm)
C	24" (610 mm)	23" (584 mm)	23 9/16" (599 mm)
D	35 3/4" (908 mm)	34 3/4" (883 mm)	35 5/16" (897 mm)
Thickness	3/4" max (19 mm)	1/16" (2 mm)	1/4" (6 mm)

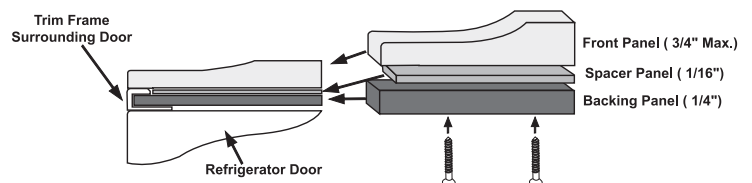
*For ease of installation cut backer panel corners at 45° - 1"x 1"



Weight Requirements for Panel Inserts

- Individual refrigerator door panels should not exceed 15 lbs. (7 kg).
- Freezer drawer panel should not exceed 15 lbs. (7 kg).

Suggested Three Panel Method



500 / 800 Series Counter-Depth Refrigerators



**500 Series
B11CB50SSS
Bottom Freezer**

- 24" x 79" Counter-Depth
- HydroFresh Humidity-Controlled Drawer
- Wine Rack
- Sidewall LED Lighting



**800 Series
B22CT80SNS
French Door Bottom-Freezer**

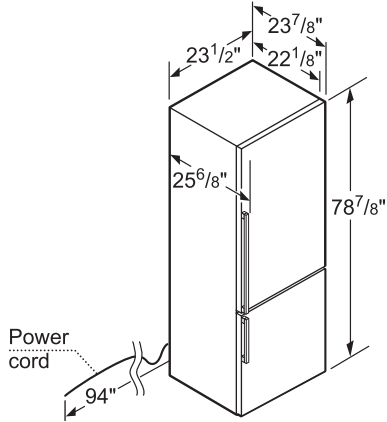
- 36" x 72" Counter-Depth
- Internal Water Dispenser
- LED Lighting
- Full Cabinet Height

+ Indicates a step-up feature

	500 Series – 24"	800 Series – 36"
	Stainless Steel – B11CB50SSS	Stainless Steel – B22CT80SNS
General Properties		
Reversible door hinge	Yes	N/A
Water filter	No	Yes
Lighting	LED	LED
Defrost process refrigerator section	Frost-free	Frost-free
Number of shelves – refrigerator	3	5
Adjustable shelves – refrigerator	2	4 half-width
Shelf material – refrigerator	Tempered glass	Tempered glass
Type of shelves – refrigerator	Spill-proof glass	Spill-proof glass
Gallon storage bins	0	2
Humidity control drawer	1	2
Defrost process freezer section	Automatic	Automatic
Number of drawers – freezer	3	3
Adjustable shelves – freezer	N/A	N/A
Shelf material – freezer	Metal	N/A
Type of shelves – freezer	Wire	N/A
Ice maker	No	Yes
Quick ice	N/A	No
Capacity		
Total unit gross capacity (cu. ft.) – AHAM	11 cu. ft.	21.8 cu. ft.
Refrigerator gross capacity (cu. ft.)	7.7 cu. ft.	16.27 cu. ft.
Freezer gross capacity (cu. ft.)	3.3 cu. ft.	5.52 cu. ft.
Technical Details		
Current (A)	15 A	15 A
Volts (V)	120 V	120 V
Frequency (Hz)	60 Hz	60 Hz
Power cord length (in.)	94"	62"
Plug type	120V-3 prong	120V-3 prong
Dimensions & Weight		
Appliance dimensions (HxWxD) (in.)	78 7/8" x 23 1/2" x 23 7/8"	71 7/8" x 35 5/8" x 30 1/8"
Required cutout size (HxWxD) (in.)	79 1/2" x 24" x 24"	72" x 36" x 25 5/8"
Net weight (lbs)	181 lbs	345 lbs
Efficiency		
ENERGY STAR® qualified	Yes	No
Energy consumption (kWh / yr)	357 kWh	633 kWh
Accessories – Included		
Included	Wine rack, ice tray, egg tray, bottle holder	Ice scoop

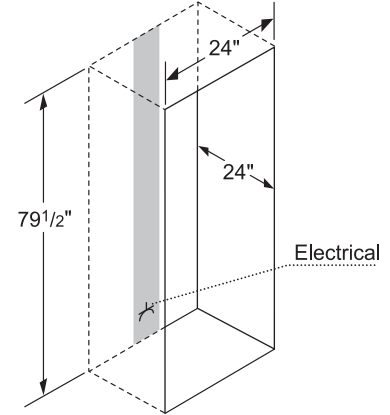
500 / 800 Series Counter-Depth Refrigerators

24" B11CB50SSS Dimensions



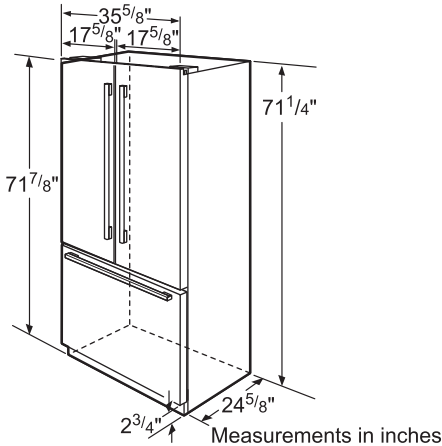
measurement in inches

24" B11CB50SSS Installation



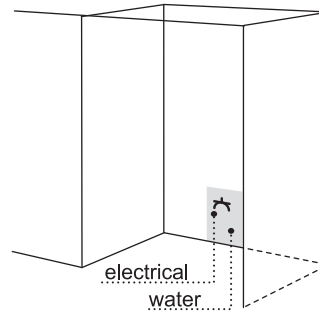
measurement in inches

36" B22CT80SNS Dimensions



Measurements in inches

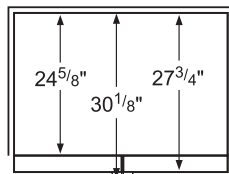
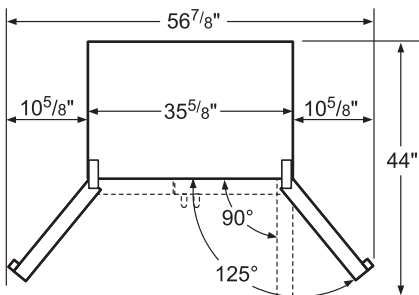
36" B22CT80SNS Installation



Leave a 1/2" (1.25 cm) space at the top and 1" (2.54 cm) behind the refrigerator for proper ventilation. For next-to-wall installation, leave 2-1/2" (6.3 cm) minimum on both sides for door opening. It is recommended that you do not install the refrigerator near a heat source such as oven or a range.

Measurements in inches

36" B22CT80SNS Dimensions (Overhead Views)



measurements in inches

Drawers can be pulled out with door open to 90°. Drawers can be taken out with door completely opened.

measurements in inches

800 Series Standard-Depth Refrigerators



**800 Series
B22FT80SNS
French Door Bottom-Freezer**

- 33" x 69" Standard-Depth
- Temperature-Controlled Drawer
- Internal Water Dispenser
- LED Lighting



**800 Series
B26FT70SNS
French Door Bottom-Freezer**

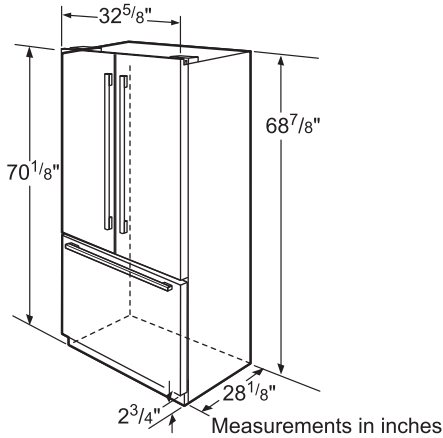
- 36" x 69" Standard-Depth
- + VitaFresh™ Food Preservation System
- Frameless Ice Dispenser
- + All-level LED Lighting

+ Indicates a step-up feature

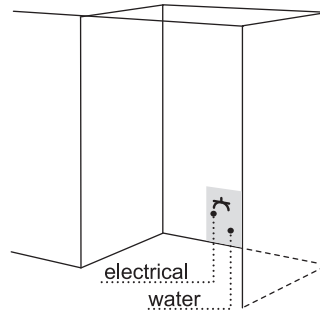
	33"	36"
	Stainless Steel – B22FT80SNS	Stainless Steel – B26FT70SNS
General Properties		
Water filter	Yes	Yes
Lighting	LED	LED
Defrost process refrigerator section	Frost-free	Frost-free
Number of shelves – refrigerator	5	5
Adjustable shelves – refrigerator	4 half-width	4 half-width
Shelf material – refrigerator	Tempered glass	Tempered glass
Type of shelves – refrigerator	Spill-proof glass	Spill-proof glass
Gallon storage bins	Yes	2
Humidity control drawer	2	2
Defrost process freezer section	Automatic	Automatic
Number of drawers – freezer	2	2
Ice maker	Yes	Yes
Quick ice	No	No
Capacity		
Total unit gross capacity (cu. ft.) – AHAM	21.8 cu. ft.	26 cu. ft.
Refrigerator gross capacity (cu. ft.)	16.27 cu. ft.	17 cu. ft.
Freezer gross capacity (cu. ft.)	5.52 cu. ft.	9 cu. ft.
Technical Details		
Current (A)	15 A	15 A
Volts (V)	120 V	120 V
Frequency (Hz)	60 Hz	60 Hz
Power cord length (in.)	62"	62"
Plug type	120V-3 prong	120V-3 prong
Dimensions & Weight		
Appliance dimensions (H x W x D) (in.)	70 1/8" x 32 5/8" x 34 1/2"	69 3/4" x 36" x 33 13/32"
Required cutout size (H x W x D) (in.)	69 3/8" x 33" x 29 1/8"	69" x 36" x 30 1/8"
Net weight (lbs)	280 lbs	248 lbs
Efficiency		
ENERGY STAR® qualified	No	Yes
Energy consumption (kWh / yr)	640 kWh	527 kWh
Accessories – Included		
Included	N/A	Egg box with lid

800 Series Standard-Depth Refrigerators

33" B22FT80SNS Dimensions



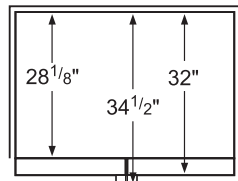
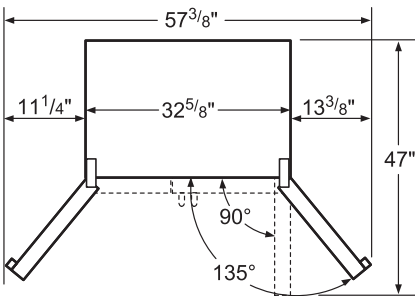
33" B22FT80SNS Installation



Leave a 1/2" (1.25 cm) space at the top and 1" (2.54 cm) behind the refrigerator for proper ventilation. For next-to-wall installation, leave 2-1/2" (6.3 cm) minimum on both sides for door opening. It is recommended that you do not install the refrigerator near a heat source such as oven or a range.

Measurements in inches

33" B22FT80SNS Dimensions (Overhead Views)

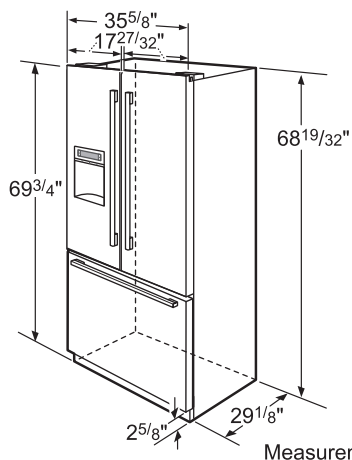


Measurements in inches

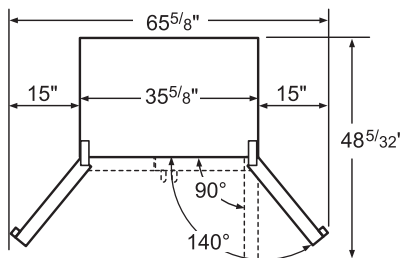
Drawers can be pulled out with door open to 90°. Drawers can be taken out with door completely opened.

measurements in inches

36" B26FT70SNS Dimensions

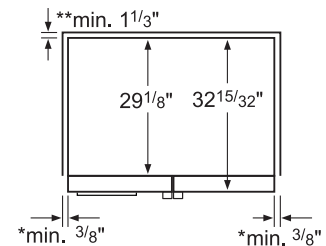


36" B26FT70SNS Dimensions (Overhead Views)



Drawers can be pulled out with door open 90°. Drawers can be taken out with door completely opened.

Measurements in inches



* If the appliance is placed next to a range, the lateral distance must be at least min. 1".

** The clearance in the back must include the space of the water connection.

300 / 500 / 800 Series Counter-Depth Side-by-Side Refrigerators



300 Series B22CS30SNS

- 36" x 69" Counter-Depth
- Dual Evaporator
- Humidity Controlled Drawer
- Extra Bright Lighting



500 Series B22CS50SNS (Stainless) B22CS50SNW (White)

- 36" x 69" Counter-Depth
- + Temperature-Controlled Drawer
- + AirFresh Filter®
- + Extra Bright Halogen Lighting



800 Series B22CS80SNS

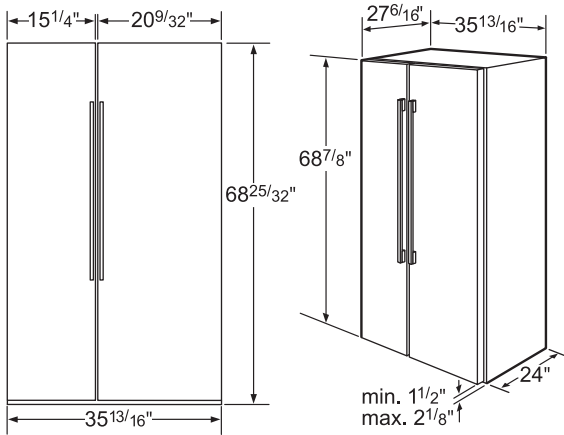
- 36" x 69" Counter-Depth
- + EasyLift Door Bin
- + 2 EasyLift™ Shelves
- + CoolGlow™ LED Lighting

+ Indicates a step-up feature

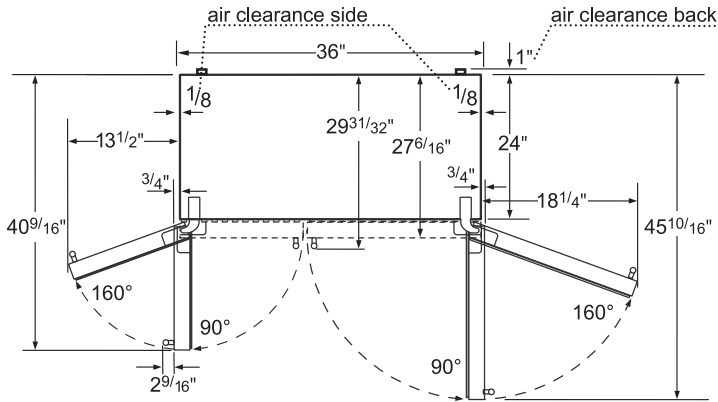
	300 Series	500 Series	800 Series
	Stainless Steel – B22CS30SNS	Stainless Steel – B22CS50SNS White – B22CS50SNW	Stainless Steel – B22CS80SNS
General Properties			
Water filter	Yes	Yes	Yes
Lighting	Incandescent	Halogen	LED
Defrost process refrigerator section	Frost-free	Frost-free	Frost-free
Number of shelves – refrigerator	4	4	4
Adjustable shelves – refrigerator	3	3	3
Shelf material – refrigerator	Tempered glass	Tempered glass	Tempered glass
Type of shelves – refrigerator	Spill-proof glass	Spill-proof glass	Spill-proof glass
Gallon storage bins	2	2	2
Humidity control drawer	2	2	2
Defrost process freezer section	Automatic	Automatic	Automatic
Number of drawers – freezer	2	2	2
Adjustable shelves – freezer	Yes	Yes	Yes
Shelf material – freezer	Tempered glass	Tempered glass	Tempered glass
Type of shelves – freezer	Spill-proof glass	Spill-proof glass	Spill-proof glass
Ice maker	Yes	Yes	Yes
Quick ice	No	Yes	Yes
Capacity			
Total unit gross capacity (cu. ft.) – AHAM	22 cu. ft.	22 cu. ft.	22 cu. ft.
Refrigerator gross capacity (cu. ft.)	14 cu. ft.	14 cu. ft.	14 cu. ft.
Freezer gross capacity (cu. ft.)	8 cu. ft.	8 cu. ft.	8 cu. ft.
Technical Details			
Current (A)	15 A	15 A	15 A
Volts (V)	120 V	120 V	120 V
Frequency (Hz)	60 Hz	60 Hz	60 Hz
Power cord length (in.)	87"	87"	87"
Plug type	120V-3 prong	120V-3 prong	120V-3 prong
Dimensions & Weight			
Appliance dimensions (H x W x D) (in.)	69" x 36" x 30"	69" x 36" x 30"	69" x 36" x 30"
Required cutout size (H x W x D) (in.)	69" x 36" x 24"	69" x 36" x 24"	69" x 36" x 24"
Net weight (lbs)	338 lbs	359 lbs	360 lbs
Efficiency			
ENERGY STAR® qualified	Yes	Yes	Yes
Energy consumption (kWh / yr)	544.95 kWh	539.11 kWh	539.11 kWh

300 / 500 / 800 Series Counter-Depth Side-by-Side Refrigerators

Dimensions



Dimensions (Overhead View)



Installation

