

30" Single Wall Oven 500 Series - Stainless Steel HBL5450UC



Features and Benefits

Key Features

- Large Capacity at 4.7 Cu.Ft.
- Fast Preheat Reduces Preheat Time to around 7 Minutes
- Meat Probe Takes Guesswork out of Cooking
- Recipe Mode Provides 30 Pre-Programmed Auto Settings

Design

- Contemporary Stainless Steel Design
- ClearTouch® Glass Control
- Flush-to-Cabinet Design
- Retractable Controls for Sleek and Easy to Clean Design

Performance

- 14 Specialized Cooking Modes - Gourmet Cooking Made Easy
- Fast Preheat Reduces Preheat Time to around 7 Minutes
- Genuine European Convection With ACS
- Speed Convection Saves up to 30% Time
- Custom Cooking Modes: Pizza, Pie, Warm and Proof
- Meat Probe Takes Guesswork out of Cooking
- Recipe Mode Provides 30 Pre-Programmed Auto Settings

Efficiency

- EcoClean™ 2-Hour Self-Clean Cycle

Convenience

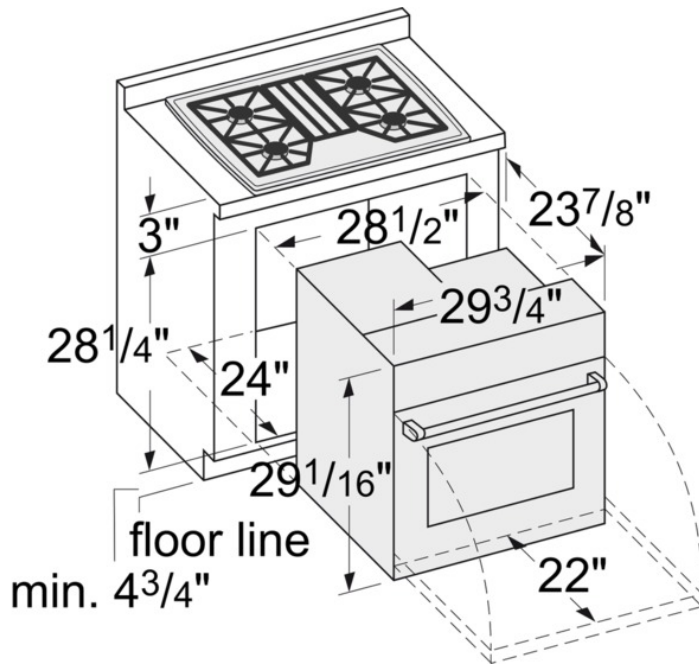
- Amber Colored Full Text Display
- Timer with Cook Time and Delay Start Function
- Extra Large Door Window for Easy Monitoring of Cooking

Notes: All height, width and depth dimensions are shown in inches. *Please refer to installation instructions prior to making cutout. BSH reserves the absolute and unrestricted right to change product materials and specifications, at any time, without notice. Consult the product's installation instructions for final dimensional data and other details. Applicable product warranty can be found in a accompanying product literature or you may contact your account manager for further details.

For more information on our entire line of products, go to boschappliances.com or call 1-800-944-2904.
Copyright ©2013 BSH Home Appliances Corporation. All rights reserved. Bosch is a registered trademark of Robert Bosch GmbH.

Litho Date: 04/2013

30" Single Wall Oven
500 Series - Stainless Steel
HBL5450UC



Features

Cooking method first cavity	Bake, Broil, Convection Bake, Convection Broil, Convection Roast, Dehydrate, Pie, Pizza, Proof, Sabbath function, Speed Convection, Top heating, 1/3 bottom heat., True Convection, Warm
Cleaning system - cavity 1	Self Clean
Interior Lights - cavity 1	2
Telescopic rack	
Timer settings	Alarm, timer
Included accessories	3 x Oven racks /upper, 1 x Broiler pan /upper, 1 x Temperature probe /upper
Bake Element Wattages cavity 1 (W)	2000
Broil Element Wattages cavity 1 (W)	3600
Convection Element Wattages cavity 1 (W)	2000
Microwave Wattages (W)	
Drawer wattage (W)	

Technical Specification

UPC code	825225840237
Product color	Stainless steel
Alternative colors available	HBL5420UC, HBL5460UC
Energy source	Electric
Watts (W)	7300
Current (A)	30
Volts (V)	240/208
Frequency (Hz)	60
Approval certificates	CSA
Power cord length (in)	50"
Plug type	Fixed connection, No plug
Required cutout size (HxWxD) (in)	28 1/4" x 28 1/2" x 24"
Product packaging dimensions (HxWxD) (in)	34" x 34" x 31"
Net weight (lbs)	167
Gross weight (lbs)	193

Notes: All height, width and depth dimensions are shown in inches. *Please refer to installation instructions prior to making cutout. BSH reserves the absolute and unrestricted right to change product materials and specifications, at any time, without notice. Consult the product's installation instructions for final dimensional data and other details. Applicable product warranty can be found in a accompanying product literature or you may contact your account manager for further details.

For more information on our entire line of products, go to boschappliances.com or call 1-800-944-2904.
Copyright ©2013 BSH Home Appliances Corporation. All rights reserved. Bosch is a registered trademark of Robert Bosch GmbH.

Litho Date: 04/2013