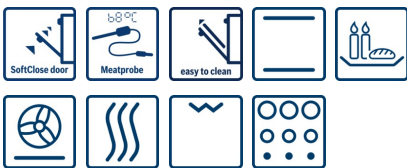


**Ovens**
**30" Single Wall Oven  
800 Series - Stainless Steel  
HBL8451UC**

**Introducing a Newly Designed and Engineered Bosch Wall Oven Featuring a QuietClose™ Door**

- Dampened Hinges Softly and Quietly Guide the QuietClose™ Door Shut.
- A Full-Extension Telescopic Rack Offers Safe Access to the Oven Cavity.
- Touch Control with SteelTouch™ Buttons Makes Operating the Oven Easier.
- The Wall Oven is Designed to be Installed Flush with your Cabinetry.
- Wall Ovens are Compatible with Most Competitors' Cut-Outs.

**Technical Data**

Cooking mode :	3rd element convection, Convection Bake, Convection Broil, Convection Roast, Conventional heat, Dough proving setting, Half width variable grill, Pizza setting, Top heating, 1/3 bottom heat., warming
Integrated Cleaning system :	Self Clean
Interior Lights - cavity 1 :	2
Timer settings :	Alarm, Off, On, timer
Included accessories :	
	3 x oven racks /upper, 1 x temperature probe /upper
Bake Element Wattages cavity 1 (W) :	2400
Broil Element Wattages cavity 1 (W) :	3800
Convection Element Wattages cavity 1 (W) :	2000
UPC code :	825225906513
Product color :	Stainless steel
Alternative colors available :	HBL8461UC
Energy source :	Electric
Watts (W) :	5000
Current (A) :	30
Volts (V) :	240/208
Frequency (Hz) :	60
Approval certificates :	CSA
Power cord length (in) :	50"
Power cord length (cm) :	127
Plug type :	fixed connection, no plug
Required cutout size (HxWxD) (in) :	
	27" - 28 5/8" x 28 1/2" x 23 1/2"
Required cutout size (HxWxD) (mm) :	686 x 724 x 597
Overall appliance dimensions (HxWxD) (mm) :	737 x 755 x 622
Product packaging dimensions (HxWxD) (in) :	
	31 1/4" x 34" x 31 1/2"
Net weight (lbs) :	174
Net weight (kg) :	79.0
Gross weight (lbs) :	193
Gross weight (kg) :	88.0

**Included accessories**

3 x oven racks /upper  
1 x temperature probe /upper

**Optional accessories**

HEZTR301 : Telescopic Oven Rack 30"

## Ovens

### **30" Single Wall Oven 800 Series - Stainless Steel HBL8451UC**

#### **Introducing a Newly Designed and Engineered Bosch Wall Oven Featuring a QuietClose™ Door**

---

##### **Design**

- Touch control with SteelTouch™ Buttons for Easier Operation of the Oven

##### **Performance**

- 12 Specialized Cooking Modes - Gourmet Cooking Made Easy
- Custom Cooking Modes: Pizza, Pie, Warm and Proof
- Genuine European Convection
- Temperature Conversion for Convection Cooking
- Meat Probe Takes Guesswork out of Cooking
- Fast Preheat Reduces Preheat Time

##### **Efficiency**

- EcoClean™ 2-Hour Self-Clean Cycle

##### **Convenience**

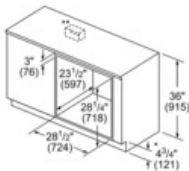
- Two Oven Lights to Better Monitor Cooking Progress
- Timer with Cook Time and Delay Start Function
- Extra Large Door Window for Easy Monitoring of Cooking Process
- Star-K certified. 100°-450° F

##### **Capacity**

- Large Capacity at 4.6 Cu Ft.
- Recessed 8 Pass Broil Element for Increased Capacity and Safety

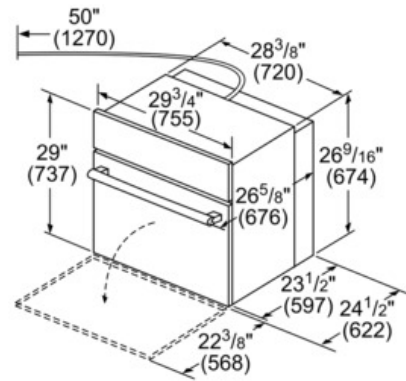
## Ovens

### 30" Single Wall Oven 800 Series - Stainless Steel HBL8451UC

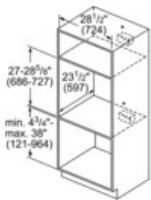


\* Includes  $\frac{3}{4}$ " (19) base plate  
\*\* For single ovens installed under a countertop, the junction box may be located to the left or right of the unit within reach of the power conduit.

measurements in inches (mm)



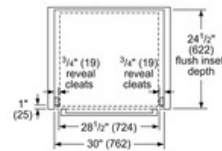
measurements in inches (mm)



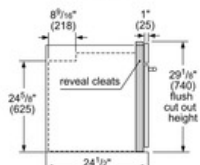
\* For single ovens installed into a wall cabinet, the junction box may be located above or beneath the unit within reach of the power conduit.

measurements in inches (mm)

Flush Install Top View



Side View



measurements in inches (mm)