

30" Single Wall Oven

800 Series – Black HBL8461UC



HBL8461UC
Black

Also available in:
Stainless Steel HBL8451UC

The Bosch wall oven installs flush and features a QuietClose™ door.

Features & Benefits

Dampened hinges softly and quietly guide the QuietClose™ door shut.

A full-extension telescopic rack offers safe access to the oven cavity.

The wall oven is designed to be installed flush with cabinetry.

Bosch wall ovens are compatible with most competitors' cutouts.

Genuine European Convection for even baking results on multiple racks.

General Properties

| | |
|---------------|--|
| Cooking modes | Bake, Variable Broil (hi & low), Roast, Warm, Sabbath, Proof Dough, Convection Bake, Convection Broil, Convection Roast, Pizza, Multi Rack Genuine European Convection, Convection Conversion, Temperature Probe, Fast Preheat |
|---------------|--|

| | |
|-------------------|--------------|
| Cleaning type | Self Clean |
| Telescopic rack | 1 |
| Illumination type | Incandescent |
| Interior lights | 2 |

Oven Performance

| | |
|-------------------------------|-----------------|
| Bake / broil element wattages | 2,400 / 3,800 W |
| Convection element wattages | 2,000 W |

Technical Details

| | |
|------------------------|---------------------------|
| Watts (W) | 6,325 W |
| Circuit breaker (A) | 30 A |
| Volts (V) | 240 / 208 V |
| Frequency (Hz) | 60 Hz |
| Power cord length (in) | 50" |
| Plug type | Fixed Connection, No Plug |
| Energy source | Electric |

Dimensions & Weight

| | |
|---|-----------------------------------|
| Overall appliance dimensions (HxWxD)(in) | 29" x 29 3/4" x 24 1/2" |
| Required cutout size (HxWxD) (in) | 27" – 28 5/8" x 28 1/2" x 23 1/2" |
| Oven cavity size (cu. ft.) | 4.6 |
| Overall oven interior dimensions (HxWxD) (in) | 17 13/16" x 24 1/8" x 18" |
| Usable oven interior dimensions (HxWxD) (in) | 12 5/16" x 23 1/4" x 15 1/4" |
| Net weight (lbs) | 149 lbs |

Accessories—Included

| | |
|----------|---|
| Included | 1 Telescopic and 2 Standard Oven Racks, Temperature Probe |
|----------|---|

Accessories—Optional



HEZTR301
30" Telescopic Rack



For help and assistance with Bosch accessories please call 1-800-944-2904 Mon-Fri 8am to 6pm EST

Notes: All height, width and depth dimensions are shown in inches. BSH reserves the absolute and unrestricted right to change product materials and specifications, at any time, without notice. Consult the product's installation instructions for final dimensional data and other details prior to making cutout. Applicable product warranty can be found in accompanying product literature or you may contact your account manager for further details.

Warranties: Bosch warrants that the Product is free from defects in materials and workmanship for a period of three hundred and sixty-five (365) days from the date of purchase. The foregoing timeline begins to run upon the date of purchase, and shall not be stalled, tolled, extended, or suspended, for any reason whatsoever. This Product is also warranted to be free from cosmetic defects in material and workmanship (such as scratches of stainless steel, paint/porcelain blemishes, chip, dents, or other damage) to the finish of the Product, for a period of thirty (30) days from the date of purchase or closing date for new construction. This cosmetic warranty excludes slight color variations due to inherent differences in painted and porcelain parts, as well as differences caused by kitchen lighting, product location, or other similar factors. This cosmetic warranty specifically excludes any display, floor, "As Is", or "B" stock appliances.

For more information on our entire line of products, go to www.bosch-home.ca or call 1-800-944-2904

© BSH Home Appliances Limited. All rights reserved. Bosch is a registered trademark of Robert Bosch GmbH.

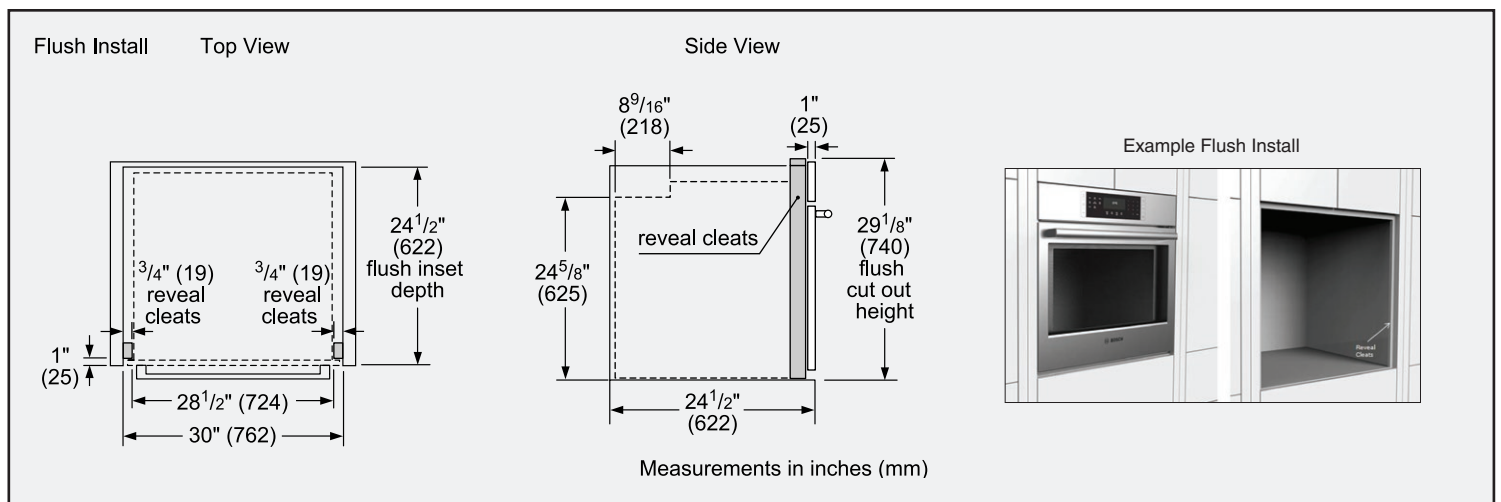
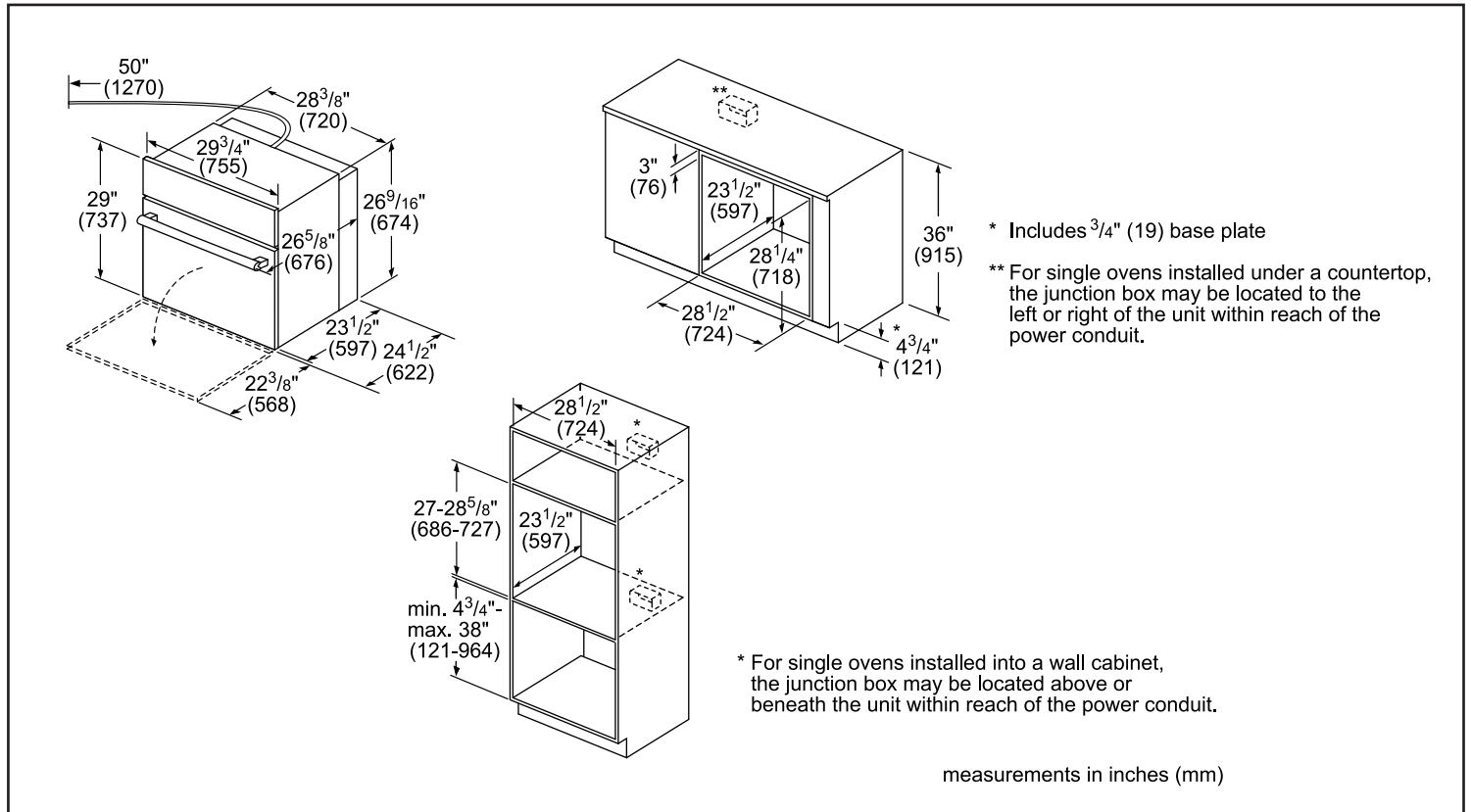
09/15

30" Single Wall Oven

800 Series – Black HBL8461UC



Installation Details



For help and assistance with Bosch accessories please call 1-800-944-2904 Mon-Fri 8am to 6pm EST

Notes: All height, width and depth dimensions are shown in inches. BSH reserves the absolute and unrestricted right to change product materials and specifications, at any time, without notice. Consult the product's installation instructions for final dimensional data and other details prior to making cutout. Applicable product warranty can be found in accompanying product literature or you may contact your account manager for further details.

Warranties: Bosch warrants that the Product is free from defects in materials and workmanship for a period of three hundred and sixty-five (365) days from the date of purchase. The foregoing timeline begins to run upon the date of purchase, and shall not be stalled, tolled, extended, or suspended, for any reason whatsoever. This Product is also warranted to be free from cosmetic defects in material and workmanship (such as scratches of stainless steel, paint/porcelain blemishes, chip, dents, or other damage) to the finish of the Product, for a period of thirty (30) days from the date of purchase or closing date for new construction. This cosmetic warranty excludes slight color variations due to inherent differences in painted and porcelain parts, as well as differences caused by kitchen lighting, product location, or other similar factors. This cosmetic warranty specifically excludes any display, floor, "As Is", or "B" stock appliances.

For more information on our entire line of products, go to www.bosch-home.ca or call 1-800-944-2904

© BSH Home Appliances Limited. All rights reserved. Bosch is a registered trademark of Robert Bosch GmbH.

30" Single Wall Oven

800 Series – Black HBL8461UC



Installation Details

Standard

Cutout 1 Cutout 2

1 3/4" (44mm)

Side-by-Side Installation

The ovens will overlap the cutout resulting in a 1/2" (13mm) spacing between the products

IMPORTANT: The spacing between cutouts applies when installing any Bosch 30" or 27" single, double, combination and 27"/30" compact oven in a side-by-side installation.

Flush

Cutout 1 Cutout 2

1/2" (13mm)

Standard Installation
30" Single Oven over Storage or Warming Drawer

- * Wall oven junction box may be located above or right or left of the unit within reach of the power conduit.
- ** Electrical hook up may be located below (depending on space) or next to the drawer within the reach of the power cord.
- minimum 3/4" (18mm) required between cutouts

measurements in inches (mm)

Flush Installation
Single Oven over Storage or Warming Drawer

Side View

Single Wall Oven

Warming Drawer

* **IMPORTANT:** base has to be able to support oven weight. Please check oven manual for minimum weight requirements.

minimum 1/2" (13) required between cutouts*

measurements in inches (mm)

Standard Installation
30" Speed Oven over Single Oven***

- * Junction box may be located above or next to the unit within the reach of the power cord.
- ** Junction box may be located below (depending on space) or next to the unit within the reach of the power cord.
- *** Most combinations available as combo oven (one cut out, one electrical hook up).
- Minimum dimension between cut outs:
 - 1" (25mm) for wall oven cut out height of 28 5/8"
 - 2 5/8" (67mm) for wall oven cut out height of 27"

measurements in inches (mm)

Flush Installation
Speed Oven over 30" Single Oven**

Side View

Speed Oven

Wall Oven

*** Flush installation requires a base plate underneath the body: 30" Products - Dimensions: H 5/16" (8) x W 28 1/2" (724) x D 22 1/2" (571)

minimum 1/2" (13) required between cutouts*

* **IMPORTANT:** base has to be able to support oven weight. Please check oven manual for minimum weight requirements.

** Most combinations available as combo oven (one cut out, one electrical hook up).

measurements in inches (mm)

For help and assistance with Bosch accessories please call 1-800-944-2904 Mon-Fri 8am to 6pm EST

Notes: All height, width and depth dimensions are shown in inches. BSH reserves the absolute and unrestricted right to change product materials and specifications, at any time, without notice. Consult the product's installation instructions for final dimensional data and other details prior to making cutout. Applicable product warranty can be found in accompanying product literature or you may contact your account manager for further details.

Warranties: Bosch warrants that the Product is free from defects in materials and workmanship for a period of three hundred and sixty-five (365) days from the date of purchase. The foregoing timeline begins to run upon the date of purchase, and shall not be stalled, tolled, extended, or suspended, for any reason whatsoever. This Product is also warranted to be free from cosmetic defects in material and workmanship (such as scratches of stainless steel, paint/porcelain blemishes, chip, dents, or other damage) to the finish of the Product, for a period of thirty (30) days from the date of purchase or closing date for new construction. This cosmetic warranty excludes slight color variations due to inherent differences in painted and porcelain parts, as well as differences caused by kitchen lighting, product location, or other similar factors. This cosmetic warranty specifically excludes any display, floor, "As Is", or "B" stock appliances.

For more information on our entire line of products, go to www.bosch-home.ca or call 1-800-944-2904

© BSH Home Appliances Limited. All rights reserved. Bosch is a registered trademark of Robert Bosch GmbH.