

# 600 CFM Inline Blower

Downdraft Ventilation – DHG6015NUC



**BOSCH**  
Invented for life



**DHG6015NUC**

## 600 CFM inline blower.

### Features & Benefits

For use with Bosch downdrafts.

Inline blowers can be mounted remotely to minimize blower noise in the cooking area.

Designed to be mounted inline with the ducting installation.

Blower is mounted on roof of exterior wall depending on application needs.

### General Properties

Operating mode	Ducted
Maximum CFM	600 CFM
Number of speed settings	3-stage
Motor location	Inline blower

### Technical Details

Watts (W)	530 W
Volts (V)	120 V
Frequency (Hz)	60 Hz
Plug type	No plug
Power cord length (in.)	30"



### Dimensions & Weight

Overall appliance dimensions (width of canopy included) (HxWxD) (in.)	15 1/2" / x 14 1/8" x 9 7/8"
Diameter of air duct (in.) top	6"
Diameter of air duct (in.) back	6"
Net weight (lbs)	20 lbs

### Accessories-Required

25 ft. blower connector cable	EXTNCB25
-------------------------------	----------

**Accessories:** To purchase Bosch accessories, cleaners & parts please visit [www.bosch-home.com/us/store](http://www.bosch-home.com/us/store) or call 1-800-944-2904 (Mon to Fri 5 am to 6 pm PST, Sat 6 am to 3 pm PST).

**Notes:** All height, width and depth dimensions are shown in inches. BSH reserves the absolute and unrestricted right to change product materials and specifications, at any time, without notice. Consult the product's installation instructions for final dimensional data and other details prior to making cutout.

**Warranties:** Please see Use & Care manual or Bosch website for statement of limited warranty.

**For more information on our entire line of products, go to [www.bosch-home.com/us](http://www.bosch-home.com/us) or call 1-800-944-2904**

© BSH Home Appliances Corporation. All rights reserved. Bosch is a registered trademark of Robert Bosch GmbH.

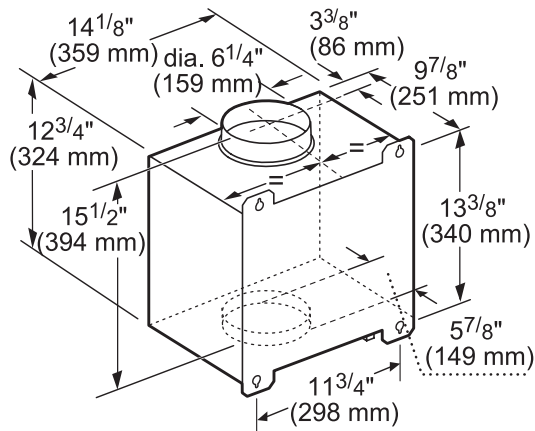
# 600 CFM Inline Blower

Downdraft Ventilation – DHG6015NUC



**BOSCH**  
Invented for life

## Installation Details



measurements in inches and mm

**Accessories:** To purchase Bosch accessories, cleaners & parts please visit [www.bosch-home.com/us/store](http://www.bosch-home.com/us/store) or call 1-800-944-2904 (Mon to Fri 5 am to 6 pm PST, Sat 6 am to 3 pm PST).

**Notes:** All height, width and depth dimensions are shown in inches. BSH reserves the absolute and unrestricted right to change product materials and specifications, at any time, without notice. Consult the product's installation instructions for final dimensional data and other details prior to making cutout.

**Warranties:** Please see Use & Care manual or Bosch website for statement of limited warranty.

**For more information on our entire line of products, go to [www.bosch-home.com/us](http://www.bosch-home.com/us) or call 1-800-944-2904**

© BSH Home Appliances Corporation. All rights reserved. Bosch is a registered trademark of Robert Bosch GmbH.