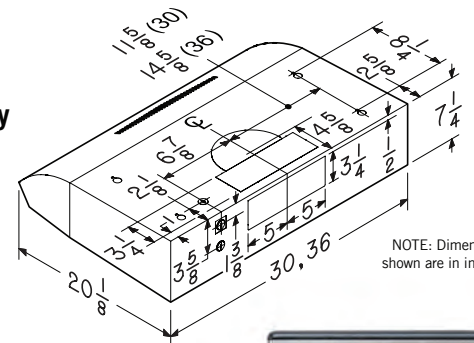




Broan QP2 and QP3 Series

Meeting customers demands for a contemporary styled range hood that is easy to clean, and brightly lights the cooktop.

- Durable, powder-coated paint or brushed stainless steel
- Large, full filter design, dishwasher-safe for easy cleaning
- Electronic pushbutton speed control with green LED indicators
- Clock/timer and delay-off features (QP3 only)
- Four halogen lights provide bright lighting (bulbs not included)
- Versatile design allows for 3¼" x 10", 7" round, or non-ducted discharges without re-positioning blower
- CleanSense™ charcoal filters change color when replacement is necessary (for non-ducted installations – purchase separately)
- Available in 30" (QP2, QP3) and 36" (QP3) widths in white, black and stainless steel
- Broan Heat Sentry™ detects excessive heat and adjusts blower speed for proper ventilation



NOTE: Dimensions shown are in inches.



SPECIFICATIONS

WIDTH	STAINLESS STEEL	WHITE	BLACK	VOLTS	AMP	CFM Max/Min	SONES Max/Min	DUCT	REMOTE CONTROL
30"	QP230SSC	QP230WWC	QP230BLC	120	2.8	350/100	5/0.6	3¼" x 10", 7" round	-
30"	QP330SSC	QP330WWC	QP330BLC	120	3.3	450/100	7/0.3	3¼" x 10", 7" round	Yes (optional)
36"	QP336SSC	QP336WWC	-	120	3.3	450/100	7/0.3	3¼" x 10", 7" round	Yes (optional)

OPTIONS

BPPF30	Replacement charcoal filters 30" (QP) (2)	ARP310	Air flow reducer (limits the air flow of the hood under 300 cfm)
S99010354	Non-duct filters for QP3 36" (2)	MD6T	Make-up Air Damper for 6" round duct
S97018202	Aluminum replacement filters QP2 30" (2)	MD8T	Make-up Air Damper for 8" round duct
S97018205	Aluminum replacement filters QP3 30" (2)		
S97018206	Aluminum replacement filters QP3 36" (2)		
BCR1	Remote control (QP3)		

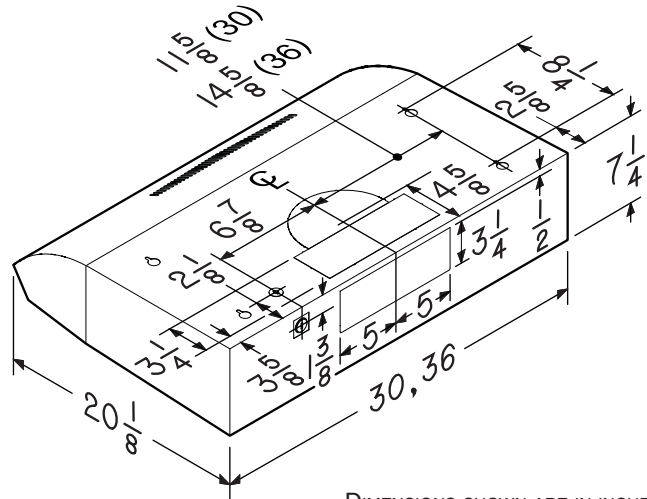


87565B 2012/11

SPECIFICATIONS

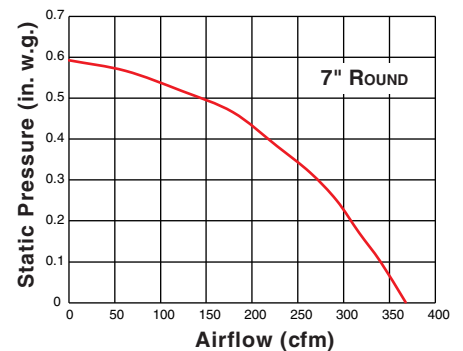
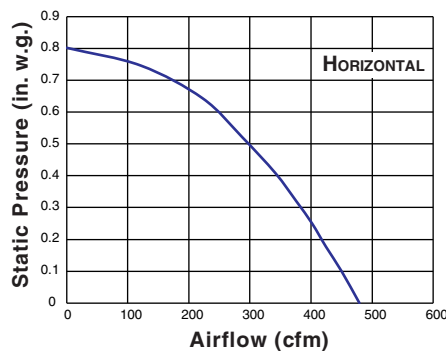
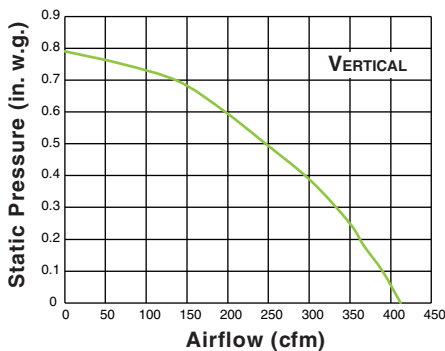
MODEL	QP3 SERIES
VOLTS	120 VAC
HZ	60
AMPS	3.3
CFM (LOW SPEED)	100
CFM (HIGH SPEED)	360
CFM (BOOST)	450
SONE (LOW SPEED)	<0.3
SONES (HIGH SPEED)	5.0
SONES (BOOST)	7.0
DUCTING SIZES	7" ROUND OR 3 1/4" x 10"
4 HALOGEN BULBS	50 W, MR16 WITH GU10 BASE
WARRANTY	1 YEAR

DIMENSIONS



DIMENSIONS SHOWN ARE IN INCHES.

AIR FLOW PERFORMANCE



HVI-2100 CERTIFIED RATINGS comply with new testing technologies and procedures prescribed by the Home Ventilating Institute, for off-the-shelf products, as they are available to consumers. Product performance is rated at 0.1 in. static pressure, based on tests conducted in AMCA's state-of-the-art test laboratory. Sones are a measure of humanly-perceived loudness, based on laboratory measurements.



BROAN-NU-TONE CANADA INC., MISSISSAUGA, ONTARIO WWW.BROAN.CA 1-888-882-7626

PROJECT	REMARKS
LOCATION	
MODEL No.	
QTY.	
SUBMITTED BY	
DATE	