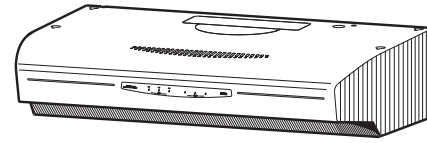


ALLURE® QS2 SERIES RANGE HOOD



Page 1

Patent No.:
US D450, 829 S

READ AND SAVE THESE INSTRUCTIONS

! FOR DOMESTIC COOKING ONLY !

WARNING



TO REDUCE THE RISK OF FIRE, ELECTRIC SHOCK, OR INJURY TO PERSONS, OBSERVE THE FOLLOWING:

1. Use this unit only in the manner intended by the manufacturer. If you have questions, contact the manufacturer at the address or telephone number listed in the warranty.
2. Before servicing or cleaning unit, switch power off at service panel and lock the service disconnecting means to prevent power from being switched on accidentally. When the service disconnecting means cannot be locked, securely fasten a prominent warning device, such as a tag, to the service panel.
3. Installation work and electrical wiring must be done by a qualified person(s) in accordance with all applicable codes and standards, including fire-rated construction codes and standards.
4. Sufficient air is needed for proper combustion and exhausting of gases through the flue (chimney) of fuel burning equipment to prevent backdrafting. Follow the heating equipment manufacturer's guideline and safety standards such as those published by the National Fire Protection Association (NFPA), and the American Society of Heating, Refrigeration and Air Conditioning Engineers (ASHRAE), and the local code authorities.
5. When cutting or drilling into wall or ceiling, do not damage electrical wiring and other hidden utilities.
6. To reduce the risk of fire or electric shock, do not use this range hood with an additional speed control device.
7. Ducted fans must always be vented to the outdoors.
8. To reduce the risk of fire, use only metal ductwork.
9. Use with approved cord-connection kit only.
10. This unit must be grounded.

TO REDUCE THE RISK OF A RANGE TOP GREASE FIRE:

1. Never leave surface units unattended at high settings. Boilovers cause smoking and greasy spillovers that may ignite. Heat oils slowly on low or medium settings.
2. Always turn hood ON when cooking at high heat or when cooking flaming foods.
3. Clean ventilating fans frequently. Grease should not be allowed to accumulate on fan or filter.
4. Use proper pan size. Always use cookware appropriate for the size of the surface element.

TO REDUCE THE RISK OF INJURY TO PERSONS IN THE EVENT OF A RANGE TOP GREASE FIRE, OBSERVE THE FOLLOWING:*

1. **SMOTHER FLAMES** with a close-fitting lid, cookie sheet, or metal tray, then turn off the burner. **BE CAREFUL TO PREVENT BURNS.** If the flames do not go out immediately, **EVACUATE AND CALL THE FIRE DEPARTMENT.**
2. **NEVER PICK UP A FLAMING PAN** — You may be burned.
3. **DO NOT USE WATER**, including wet dishcloths or towels - violent steam explosion will result.
4. Use an extinguisher **ONLY** if:
 - A. You know you have a Class ABC extinguisher and you already know how to operate it.
 - B. The fire is small and contained in the area where it started.
 - C. The fire department is being called.
 - D. You can fight the fire with your back to an exit.

* Based on "Kitchen Fire Safety Tips" published by NFPA.

CAUTION



1. For indoor use only.
2. For general ventilating use only. Do not use to exhaust hazardous or explosive materials and vapors.
3. To avoid motor bearing damage and noisy and/or unbalanced impellers, keep drywall spray, construction dust, etc. off power unit.
4. For best capture of cooking impurities, your range hood should be mounted so that the top of the hood is 24-30" above the cooking surface.
5. Please read specification label on product for further information and requirements.

Installer: Leave this manual with the homeowner.

Homeowner: Operating and Cleaning information on page 6.

NOTE

If hood is to be installed Non-Ducted: Purchase a set of (2) non-ducted filters from your local distributor or retailer and attach them to the aluminum mesh filters.

TABLE OF CONTENTS

This manual is divided into sections as follows:

"PREPARE HOOD LOCATION"

Run ductwork from roof or wall cap, and electrical wiring from service panel - to installation location

"PREPARE THE HOOD"

Get your hood ready for installation

"CONNECT WIRING"

Make electrical wiring connections to hood

"INSTALL HOOD"

Secure hood to cabinet and ductwork - install bulbs and filters

"OPERATION"

How to use the hood controls

"CLEANING"

Keep your hood in top working condition

"SERVICE PARTS"

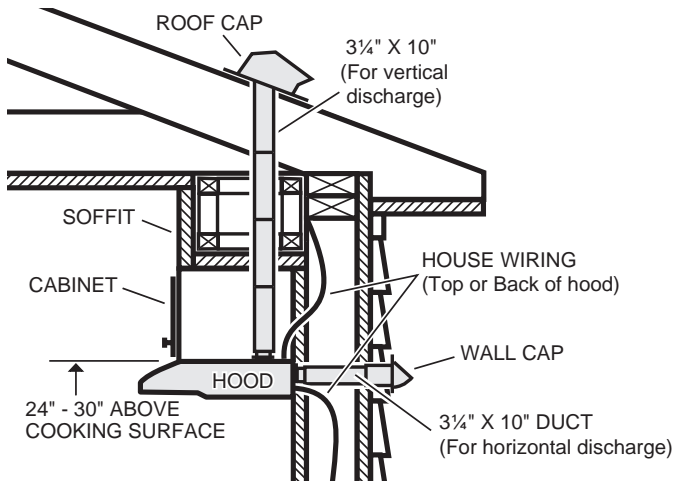
Part numbers and exploded view of hood components

"WARRANTY"

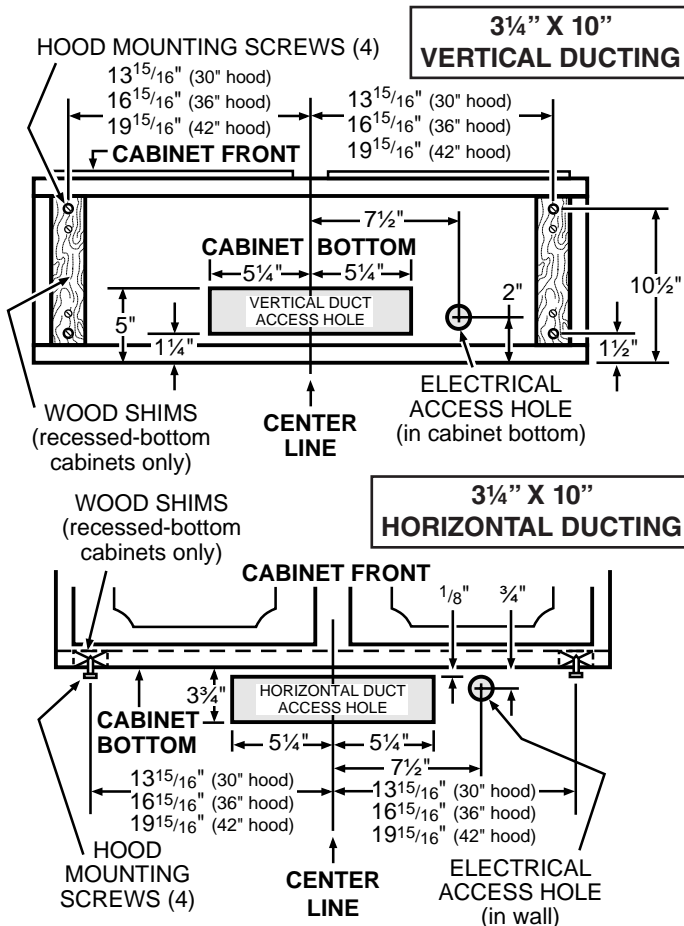
One-year limited warranty and how to contact us

Register your product online at: www.broan.ca/register

PREPARE HOOD LOCATION

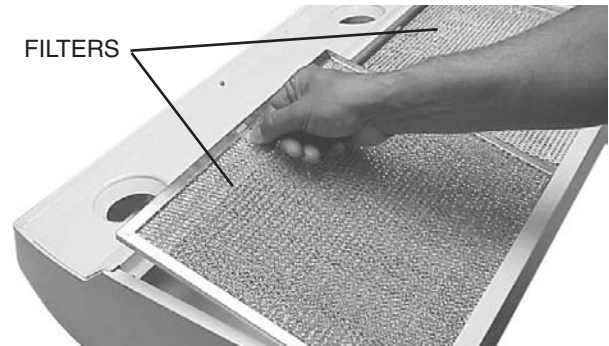


- 1 Determine whether hood will discharge vertically (3 1/4" x 10"), or horizontally (3 1/4" x 10" only). For vertical or horizontal discharge, run ductwork between the hood location and a roof cap or wall cap. For best results, use a minimum number of transitions and elbows.
- 2 Use diagrams, below, for proper placement of ductwork and electrical cutout in cabinet or wall. For a non-ducted installation, DO NOT cut a duct access hole.



- 3 Run house wiring between service panel and hood location.

PREPARE THE HOOD

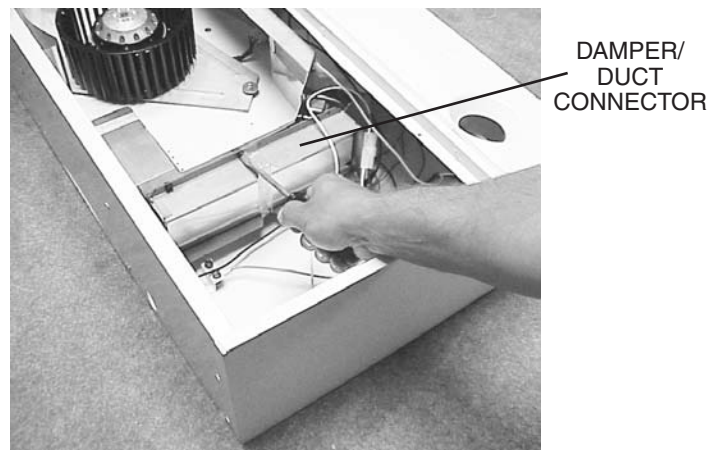


- 1 Remove tape holding **Filters** in place. Pull down on filter tabs or finger holes and lift filters out. Set filters aside.



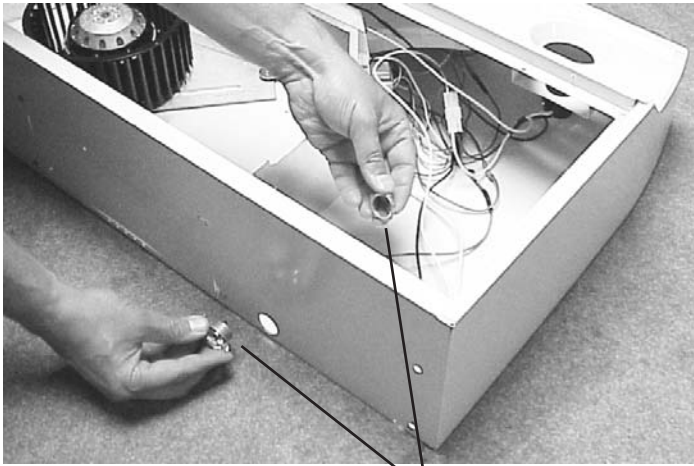
- 2 Remove **Teflon®-coated bottom cover** from hood. Set cover and mounting screws aside.

Teflon® is a registered trademark of DuPont.



- 3 Remove **Damper/Duct Connector** from inside the hood. Set connector aside - with mounting screws and parts bag.

PREPARE THE HOOD

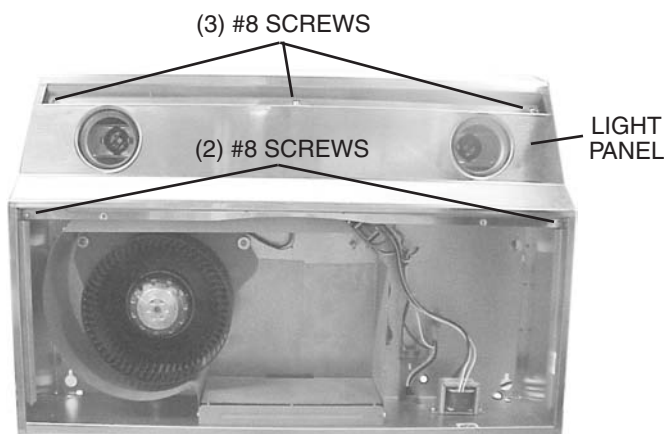


- 4** Remove either top or back wiring knockout and install approved **Electrical Cable Clamp**.

ELECTRICAL
CABLE CLAMP

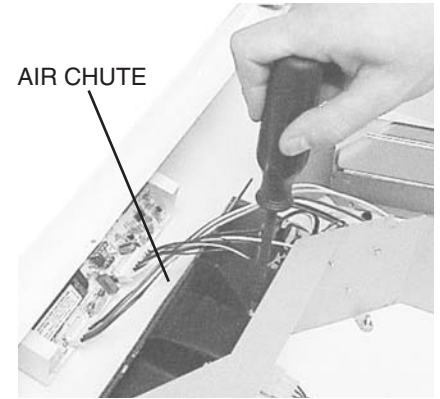
Ducted Installation - Skip to Step 11.

*The following Steps (5 thru 10) are for
NON-DUCTED INSTALLATION ONLY.*



- 5** Remove **Light Panel** - held in place with (3) #8 screws and (2) #8 screws. Disconnect light assembly wire harness (white connector).

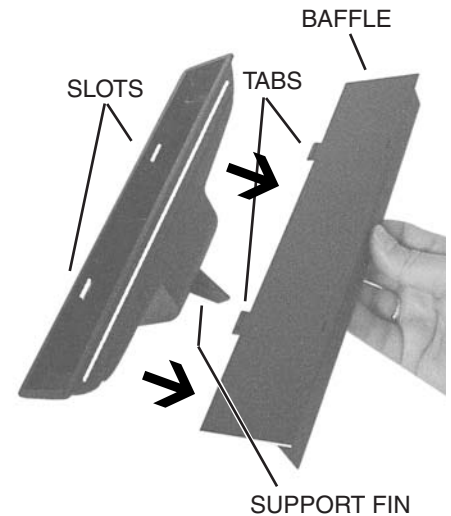
PREPARE THE HOOD



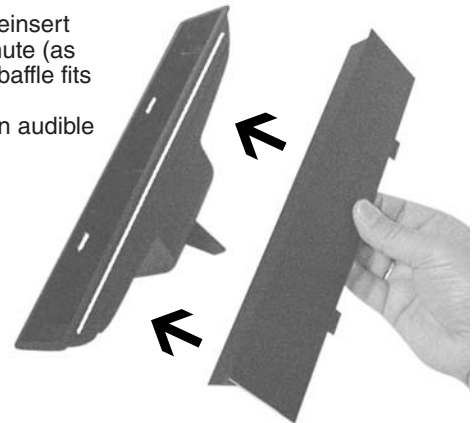
- 6** Remove **Air Chute** - held in place with one (1) screw.

NOTE: Be careful not to disconnect any wires.

- 7** Remove **Baffle** from air chute. **Tabs** will disengage from **Slots**.



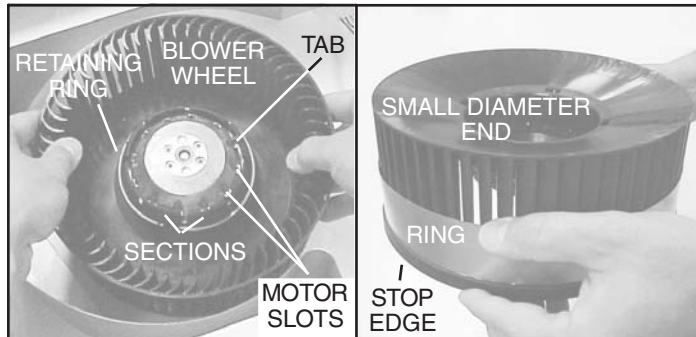
- 8** Rotate baffle. Reinsert baffle into air chute (as shown) so that baffle fits all the way into air chute. An audible "click" will be heard when fully installed. This will direct air flow through the non-ducted slots on top of hood.



- 9** Re-install air chute and screw, re-connect wire harness, and replace light panel.

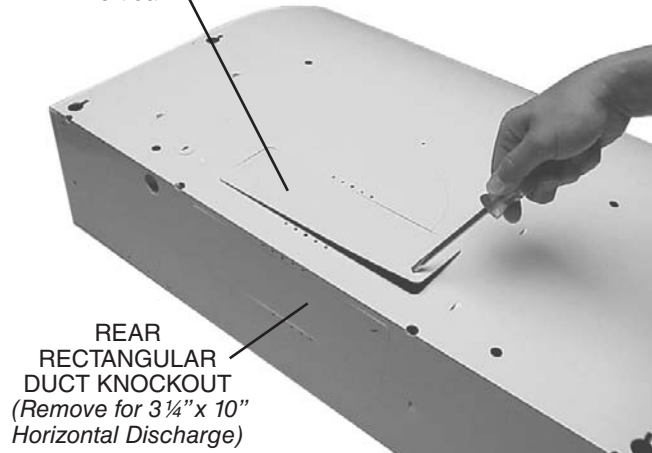
NOTE: Be careful not to trap wires between **Support Fin** and light panel.

PREPARE THE HOOD



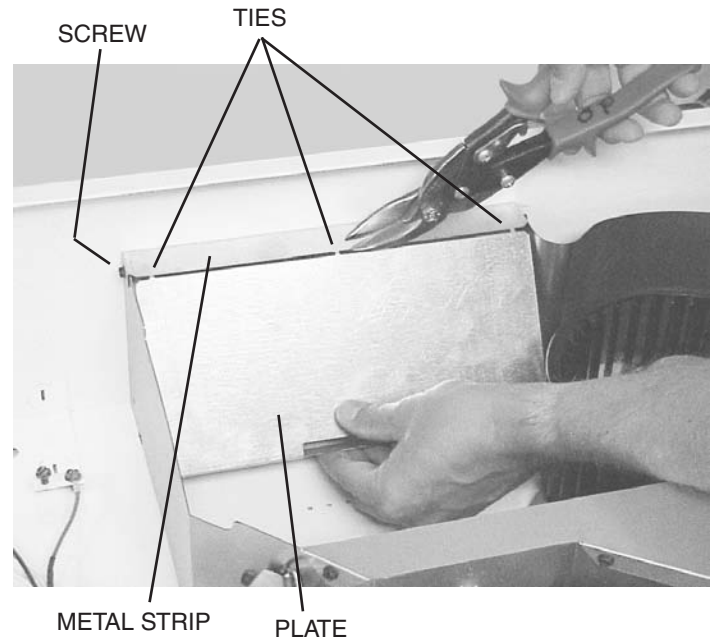
- 10** Non-Ducted Installations Only: Require a **Performance Ring** to be attached to the blower wheel.
- To install ring:
1. Remove the **Blower Wheel** by rocking it side to side and applying a slight force to pull wheel from motor. Remove **Retaining Ring** if necessary.
 2. Slide the ring onto the **Small Diameter End** of the wheel and down to the **Stop Edge** of the wheel.
 3. Reassemble wheel to motor. Make sure **Tab** on wheel fits into one of the **Motor Slots**.
 4. Push wheel down until it is locked in place.
 5. Check that wheel is properly positioned as shown. Press **Sections** into place if necessary. Make sure wheel turns freely.

TOP RECTANGULAR
DUCT KNOCKOUT
(Remove for 3 1/4" x 10"
Vertical)

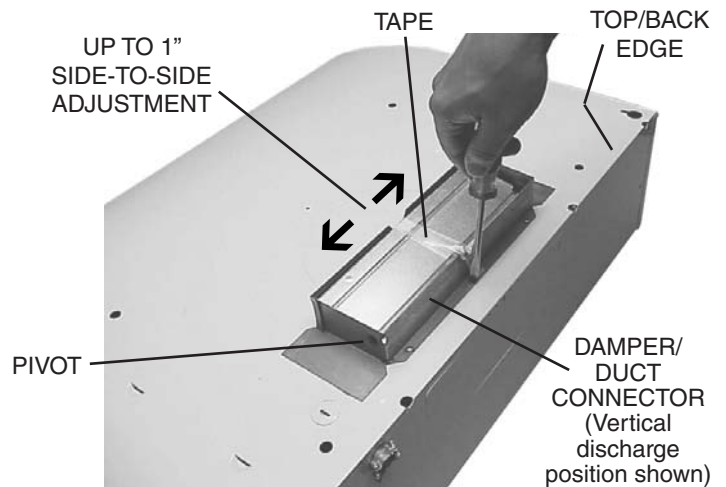


- 11** Remove appropriate **Duct Knockout(s)** from top or back of hood.

PREPARE THE HOOD



- 12** Horizontal Discharge Only: Remove the **Plate** in front of the horizontal discharge knockout. Cut the **Ties**, lift plate out, and discard plate. **DO NOT REMOVE** the **Metal Strip** held in place with two **Screws**.



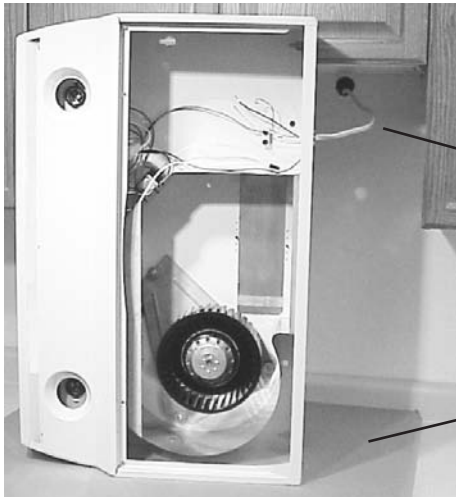
- 13** 3 1/4" x 10" Ducted Discharge Only: Remove **Tape** from damper flap and attach **Damper/Duct Connector** over knockout opening with screws removed in Step 4 under "PREPARE THE HOOD". Make sure damper **Pivot** is nearest to **Top/Back Edge** of hood.

NOTE Damper/Duct Connector can be installed up to 1-inch on either side of hood center - to accommodate off-center ductwork. In extreme off-center installations, one end of the duct connector may need to be trimmed to clear the electrical cable clamp.

CONNECT WIRING



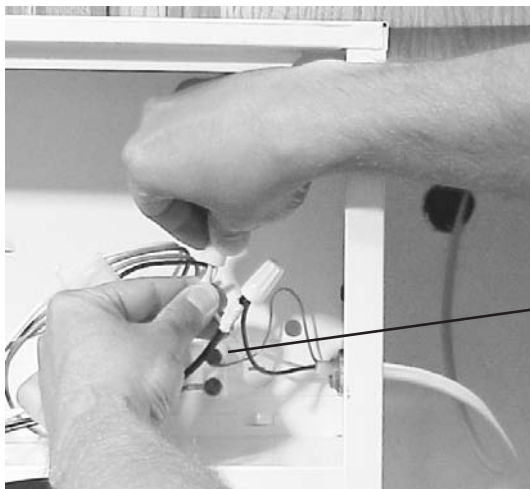
WARNING: To reduce the risk of electric shock, make sure power is switched off at the service panel. Lock or tag service panel to prevent power from being switched on accidentally.



HOUSE WIRING
(120 VAC)

CARDBOARD
(Use to protect
cooktop)

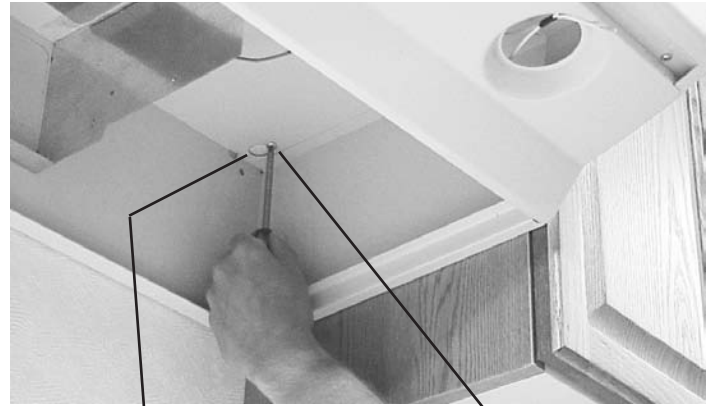
- 1 Connect **House Wiring** (120 VAC) to hood. Use a piece of **Cardboard** to protect the cooktop, if necessary.



GREEN
GROUND
SCREW

- 2 Connect house black to hood black wire, house white to hood white wire, and house ground under **Green Ground Screw**. Securely tighten cable clamp onto house wiring.

INSTALL HOOD



KEYHOLE (4)

MOUNTING SCREW (4)

- 1 Hang hood from (4) **Mounting Screws**. Slide hood towards wall until mounting screws are engaged in narrow end of (4) **Keyholes**. Tighten mounting screws securely. A long screwdriver works best.
- 2 Replace bottom cover.



DUCT
TAPE

- 3 Connect ductwork to hood. Use **Duct Tape** to make joints secure and air tight.



PAR20,
50W MAX.
HALOGEN
BULB (2)
- or -
R16,
40W MAX.
INCANDESCENT
BULB (2)

- 4 Install (2) PAR20, 50 W Maximum **Halogen Bulbs** or (2) R16, 40 W Maximum **Incandescent Bulbs**. Purchase bulbs separately.



CAUTION: Bulbs may be hot! Refer to bulb packaging for further information.

- 5 Replace filters, turn on power at service panel, and test for proper operation.

NON-DUCTED FILTERS

If hood is to be installed Non-Ducted:

Purchase a set of (2) Non-Ducted Filters from your local distributor or retailer and attach them to the aluminum mesh filters.

NOTE: For models that are installed in the non-ducted mode, the most effective operation is achieved at speeds 1 and 2. These speeds provide the most efficient and quiet operation during cooking, while maximizing the benefits of the recirculating filtration system.

OPERATION



Fan and Lights: 3 push button switches for each. Push any button to select one of 3 fan speeds or one of 3 light levels. Push the same button to turn fan or light off. Press another button to change fan speed or light level. A light above each fan button indicates the fan speed.

Heat Sentry: Your range hood is equipped with the Heat Sentry feature, which monitors temperature. The Heat Sentry will automatically turn the fan on at its highest speed when the temperature is above normal.

- 1) If a fan setting is selected when the Heat Sentry is on, the light above the fan button will flash on and off.
- 2) If the fan setting is off when the Heat Sentry is on, the light above fan button 3 will flash on and off rapidly.

After the temperature has lowered to normal, the fan will change to the setting prior to the Heat Sentry turning on.

Fuse: The hood control contains a fuse to protect it from power surges. If the fuse has opened (blown), the green fan-level indicators will operate properly when the fan buttons/switches are pressed - but the fan and lights will not turn on.

The fuse is a 5 x 20 mm, 10 Amp, Fast-Acting, 125V (min.). Common manufacturer and part numbers are: Littlefuse, 217010; Busssmann, GMA10A; Wickmann, 1942100. Radio Shack, Digikey (1-800-344-4539), and most electronic supply stores have them in stock.

To replace the fuse:

1. Disconnect power at service entrance.
2. Remove filters, bottom panel, light wire harness, and air chute.
3. Remove and inspect fuse. If it is not open (blown), additional diagnostics need to be done.
4. Install new fuse.
5. Re-assemble air chute, light wire harness, bottom panel, and filters.
6. Turn on power and check hood/control operation.

CLEANING



WARNING: To reduce the risk of electric shock, disconnect from power supply before cleaning.

Aluminum mesh filters: Clean frequently using hot water and a mild detergent. Filters are dishwasher safe.

Charcoal filters: Clean filter surfaces frequently with a damp cloth and a mild detergent. DO NOT immerse filters in water or put in dishwasher. The special "Clean Sense" feature indicates when the filter is to be replaced. The blue and yellow strips will blend to green when it is time to change the filter. The "Clean Sense" feature works best when facing toward the cooking surface.

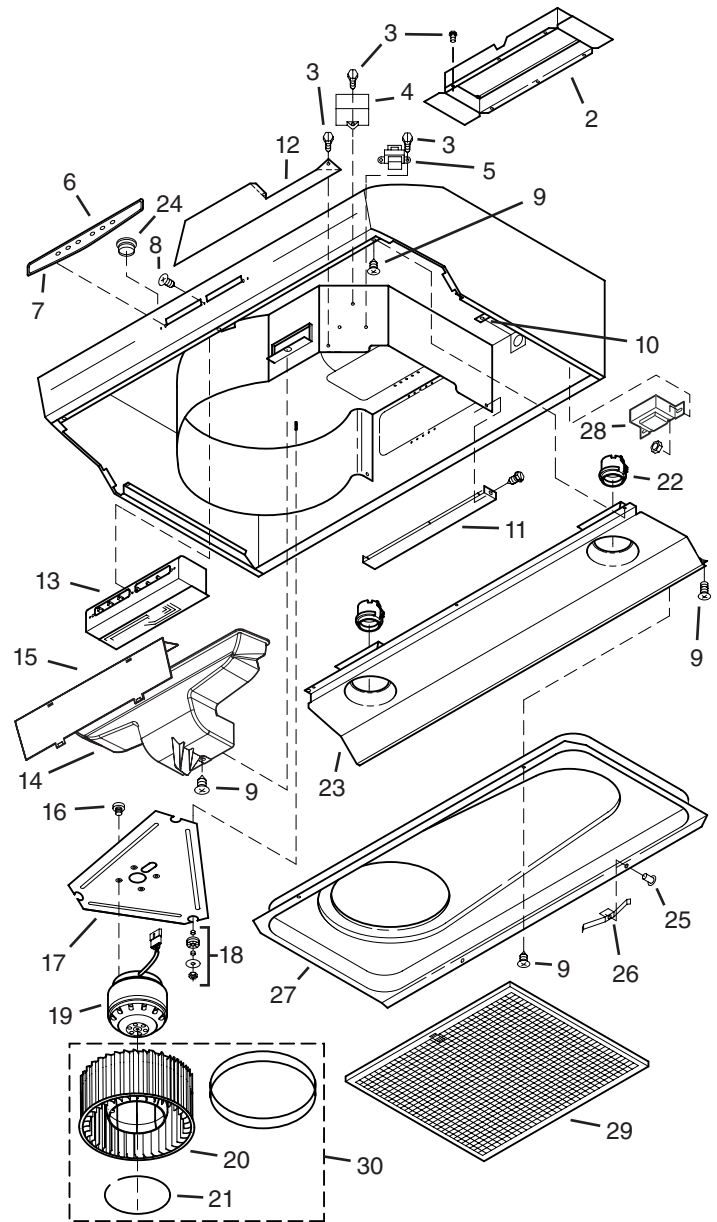
To clean hood: Remove filters. Use a damp cloth and a mild detergent to wipe all grease-laden surfaces. Do not use abrasive cloth, steel wool pads, or scouring powder on the Teflon®-coated bottom cover or on any painted surface. Use care when cleaning blower wheel - it must not become bent or misaligned. DO NOT ALLOW WATER TO ENTER MOTOR. Make sure all surfaces are completely dry before re-installing filters and restoring power.

Motor is permanently lubricated. Do not oil or disassemble motor.

Teflon® is a registered trademark of DuPont.

SERVICE PARTS

KEY NO.	PART NO.	DESCRIPTION
2	R740013	Damper/Duct Connector (includes hardware)
3	R602017	Screw, #8-18 x 1/4 Hex* (2 in package)
4	R334755	Motor Capacitor (includes wire nuts & hardware)
5	R501031	Isolation Transformer
6	R627501	Nameplate, White
	R627502	Nameplate, Almond
	R627503	Nameplate, Black
	R627528	Nameplate, Biscuit
7	R169005	Control Panel, White (includes Key No. 6 & hardware)
	R169006	Control Panel, Almond (includes Key No. 6 & hardware)
	R169007	Control Panel, Black (includes Key No. 6 & hardware)
	R169008	Control Panel, Biscuit (includes Key No. 6 & hardware)
8	R601535	Screw for Plastic, #6 x 1/2 Flat Hd. (3 in package)
9	R602534	Screw, #8-18 x 3/8 (2 in package)
10	R602533	Ground Screw
11	R680505	Scroll Cover, Outlet (includes hardware)
12	R680507	Scroll Cover, Front (includes hardware)
13	R111663	Control Assembly (includes Key Nos. 6, 7 & hardware)
14	R401647	Air Chute Assembly (includes Key No. 15 & hardware)
15	R401646	Baffle
16	R601536	Screw, Metric M4 x 6mm (4 in package)
17	R651973	Motor Plate (Includes Key No. 18)
18	R169009	Motor Plate Mounting Kit (3 of each part)
19	R520132	Motor (includes Key No. 16)
20	R531068	Blower Wheel (Includes Key No. 21)
21	R607215	Retaining Ring
22	R111630	Lamp Socket Assembly
23	R7201731	Light Panel, 30 in. White
	R7201751	Light Panel, 36 in. White
	R7201771	Light Panel, 42 in. White
	R7201732	Light Panel, 30 in. Almond
	R7201752	Light Panel, 36 in. Almond
	R7201772	Light Panel, 42 in. Almond
	R7201734	Light Panel, 30 in. Black
	R7201754	Light Panel, 36 in. Black
	R7201774	Light Panel, 42 in. Black
	R7201735	Light Panel, 30 in. Biscuit
	R7201755	Light Panel, 36 in. Biscuit
	R7201775	Light Panel, 42 in. Biscuit
	R720174	Light Panel, 30 in. Stainless
	R720176	Light Panel, 36 in. Stainless
	R720178	Light Panel, 42 in. Stainless
24	R607660	Hole Plug (1 req.)
25	*	Pop Rivet, .125D (3 req.)
26	R169016	Filter Spring Kit
27	R680515	Bottom Cover, 30 in. (includes Key Nos. 9, 25, & 26)
		Bottom Cover, 36 in. (includes Key Nos. 9, 25, & 26)
		Bottom Cover, 42 in. (includes Key Nos. 9, 25, & 26)
28	R501034	Autotransformer (includes hardware)
29	99010302	Aluminum Mesh Filter, 30 in. (2 in package)
	99010303	Aluminum Mesh Filter, 36 in. (2 in package)
	99010304	Aluminum Mesh Filter, 42 in. (2 in package)
30	R730111	Non-Ducted Blower Wheel Assembly (includes Key Nos. 20 & 21)
**	99010308	Non-ducted Filter Kit, 30 in.
**	99010309	Non-ducted Filter Kit, 36 in.
**	99010310	Non-ducted Filter Kit, 42 in.
**	R111627	Wire Harness
**	R564074	Control Fuse, 10-Amp



Order replacement parts by PART NO. - not by KEY NO.

* Standard hardware - may be purchased locally. ** Not illustrated - purchase separately.

WARRANTY

BROAN-NUTONE ONE YEAR LIMITED WARRANTY

Broan-NuTone warrants to the original consumer purchaser of its products that such products will be free from defects in materials or workmanship for a period of one year from the date of original purchase. THERE ARE NO OTHER WARRANTIES, EXPRESS OR IMPLIED, INCLUDING, BUT NOT LIMITED TO, IMPLIED WARRANTIES OF MERCHANTABILITY OR FITNESS FOR A PARTICULAR PURPOSE.

During this one-year period, Broan-NuTone will, at its option, repair or replace, without charge, any product or part which is found to be defective under normal use and service.

THIS WARRANTY DOES NOT EXTEND TO FLUORESCENT LAMP STARTERS AND TUBES. This warranty does not cover (a) normal maintenance and service or (b) any products or parts which have been subject to misuse, negligence, accident, improper maintenance or repair (other than by Broan-NuTone), faulty installation or installation contrary to recommended installation instructions.

The duration of an implied warranty is limited to the one-year period as specified for the express warranty. Some states do not allow limitation on how long an implied warranty lasts, so the above limitation may not apply to you.

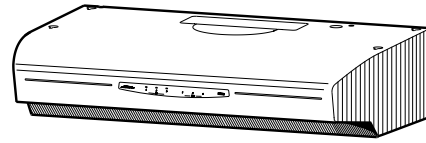
BROAN-NUTONE'S OBLIGATION TO REPAIR OR REPLACE, AT BROAN-NUTONE'S OPTION, SHALL BE THE PURCHASER'S SOLE AND EXCLUSIVE REMEDY UNDER THIS WARRANTY. BROAN-NUTONE SHALL NOT BE LIABLE FOR INCIDENTAL, CONSEQUENTIAL OR SPECIAL DAMAGES ARISING OUT OF OR IN CONNECTION WITH PRODUCT USE OR PERFORMANCE. Some states do not allow the exclusion or limitation of incidental or consequential damages, so the above limitation may not apply to you.

This warranty gives you specific legal rights, and you may also have other rights, which vary from state to state. This warranty supersedes all prior warranties.

To qualify for warranty service, you must (a) notify Broan-NuTone at the address or telephone number below, (b) give the model number and part identification and (c) describe the nature of any defect in the product or part. At the time of requesting warranty service, you must present evidence of the original purchase date.

Broan-NuTone LLC Hartford, Wisconsin www.broan.com 800-558-1711
Broan-NuTone Canada Mississauga, Ontario www.broan.ca 877-896-1119

HOTTE DE CUISINIÈRE DE LA SÉRIE ALLURE® QS2



Page 9

Patent No.:
US D450, 829 S

LISEZ ET CONSERVEZ CES DIRECTIVES

⚠ À LA CUISINE DOMESTIQUE SEULEMENT ⚠

AVERTISSEMENT



AFIN DE DIMINUER LES RISQUES D'INCENDIE, D'ÉLECTROCUTION OU DE BLESSURES, SUIVEZ CES DIRECTIVES:

1. Utilisez ce produit en suivant les recommandations du fabricant. Pour toute question, contactez le fabricant à l'adresse ou au numéro de téléphone indiqués dans la garantie.
2. Avant de réparer ou de nettoyer cette hotte, coupez le courant au panneau d'alimentation et verrouillez-en l'accès afin d'éviter que le courant ne soit accidentellement remis en fonction. S'il vous est impossible de le verrouiller, apposez un indicateur voyant sur le panneau comme, par exemple, une étiquette de couleur vive.
3. L'installation de la hotte ainsi que le câblage électrique doivent être effectués par une ou des personnes compétentes selon les normes et les règles en vigueur, incluant celles qui régissent la prévention des incendies.
4. Une circulation d'air efficace est requise afin d'assurer la combustion et l'évacuation complète des gaz par le tuyau d'évacuation (cheminée) des équipements à combustion et pour prévenir les retours d'air. Conformez-vous aux normes et mesures de sécurité pour les fabricants d'appareils de chauffage publiées par la "National Fire Protection Association (NFPA)" et par la "American Society for Heating, Refrigeration and Air Conditioning Engineers (ASHRAE)", ainsi qu'aux normes en vigueur dans votre région.
5. Lorsque vous coupez ou percez un mur ou un plafond, prenez garde d'endommager les fils électriques ou autres installations qui pourraient y être dissimulés.
6. Pour réduire les risques d'incendie ou de décharge électrique, ne pas utiliser ce ventilateur avec un régulateur de vitesse à transistors.
7. Les installations ventilées doivent toujours être reliées à des conduits rejetant l'air à l'extérieur.
8. Afin de diminuer les risques d'incendie, n'utilisez que des conduits de ventilation en métal.
9. Utilisation avec le kit approuvé de corde-raccordement seulement.
10. Ce ventilateur doit être relié à une mise à la terre.

AFIN DE DIMINUER LES RISQUES D'INCENDIE POUVANT SE DÉCLANCHER SUR LA SURFACE DE CUISSON:

1. Ne jamais laisser sans surveillance des unités de surface réglées à feu vif. En plus de générer de la fumée, les débordements de graisse peuvent prendre feu. Chauffer les huiles lentement à feu doux ou moyen.
2. Toujours mettre en marche la hotte durant la cuisson à feu vif ou la cuisson d'aliments à flamber.
3. Nettoyer régulièrement les ventilateurs d'aération. On ne doit tolérer aucune accumulation de graisse sur le ventilateur ou sur le filtre.
4. Utiliser une casserole de grosseur appropriée. Toujours utiliser une batterie de cuisine proportionnelle à l'élément de surface.

AFIN DE DIMINUER LES RISQUES DE BLESSURES POUVANT SURVENIR LORSQU'UN FEU SE DÉCLANCHE SUR LA SURFACE DE CUISSON, SUIVEZ CES DIRECTIVES:

1. ÉTOUFFEZ LES FLAMMES avec un couvercle hermétique, une tôle à biscuits ou un plateau en métal puis éteignez la cuisinière. PRENEZ GARDE AUX BRÛLURES. Si vous ne parvenez pas à éteindre immédiatement les flammes, ÉVACUEZ LES LIEUX ET CONTACTEZ VOTRE POSTE LOCAL DE LUTTE CONTRE LES INCENDIES.
2. NE VOUS EMPAREZ JAMAIS D'UN PLAT QUI S'EST ENFLAMMÉ – Vous risqueriez de vous brûler.
3. N'UTILISEZ JAMAIS D'EAU, incluant les linges à vaisselles ou serviettes mouillés car cela peut provoquer une violente explosion de vapeur.
4. Utilisez un extincteur SEULEMENT si:
 - A. Il s'agit d'un extincteur de classe ABC et que vous savez comment vous en servir.
 - B. Il s'agit d'un petit feu qui ne se propage pas ailleurs que sur la cuisinière.
 - C. Vous avez appelé votre poste local de lutte contre les incendies.
 - D. Vous pouvez combattre le feu tout en ayant accès à une sortie.

* Basé sur "Kitchen Fire Safety Tips" édité par NFPA.

ATTENTION



1. Pour l'usage d'intérieur seulement.
2. N'utilisez cet appareil que pour la ventilation des surfaces de cuisson. Ne l'utilisez pas pour ventiler des matières ou des vapeurs de nature dangereuse ou explosive.
3. Afin d'éviter d'endommager le mécanisme du moteur et de débalancer et/ou de rendre bruyant le fonctionnement des hélices, protégez l'appareil des poussières de placo-plâtre et de construction.
4. Pour obtenir de meilleurs résultats de ventilation, votre hotte de cuisinière devrait être installée à une distance de 60 cm à 76 cm au-dessus de la surface de cuisson.
5. Veuillez lire toutes les étiquettes apposées sur le produit pour obtenir plus d'information et connaître les spécifications d'installation.

Avis à l'installateur: Veuillez remettre ce guide au propriétaire de la hotte.

Avis au propriétaire de la hotte: Vous trouverez les directives concernant le fonctionnement et le nettoyage de cet appareil à la page 14 du présent guide.

NOTA

Si la hotte est installée sans conduit (installation non ventilée), procurez-vous un ensemble de 2 filtres pour installation non ventilée et fixez-les sur les filtres d'aluminium. Ces filtres sont disponibles chez le distributeur de votre région ou chez le marchand qui vous a vendu la hotte.

TABLE DES MATIÈRES

Ce guide est divisé en huit sections:

"PRÉPAREZ L'EMPLACEMENT"

Installez les conduits depuis le capuchon de toit ou le capuchon de mur ainsi que les fils électriques depuis le panneau d'alimentation jusqu'à l'emplacement d'installation.

"PRÉPAREZ LA HOTTE"

Effectuez les préparatifs nécessaires pour l'installation de votre hotte.

"BRANCHEZ LES FILS D'ALIMENTATION ÉLECTRIQUE"

Raccordez les fils électriques à la hotte.

"INSTALLEZ LA HOTTE"

Fixez la hotte sous l'armoire et reliez-la au conduit - installez les ampoules et les filtres.

"FONCTIONNEMENT"

Comment faire fonctionner votre hotte.

"ENTRETIEN"

Conseils pour maintenir votre hotte en parfait état de marche.

"PIÈCES DE REMPLACEMENT"

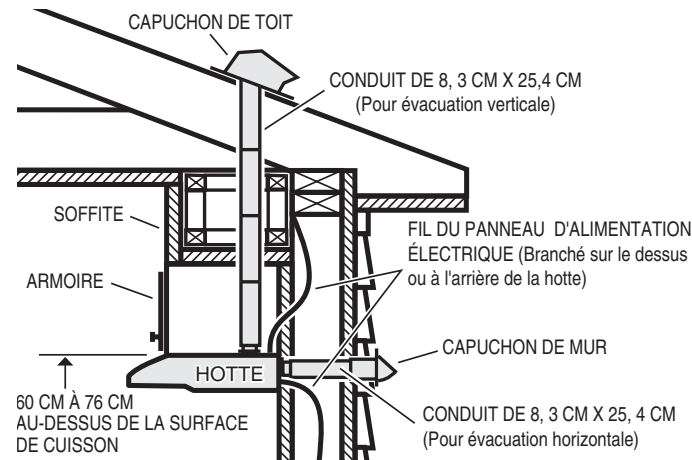
Liste des pièces de remplacement avec leur numéro d'identification et schéma détaillé des composantes de la hotte.

"GARANTIE"

Garantie limitée d'un an et coordonnées pour communiquer avec notre service à la clientèle.

Enregistrez votre produit en ligne à : www.fr.broan.ca/register

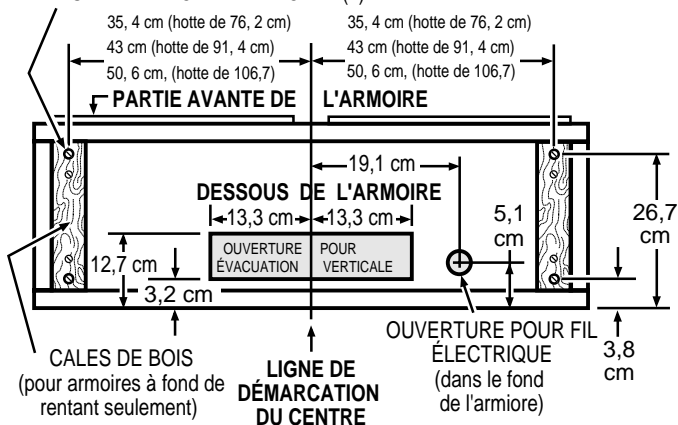
PRÉPAREZ L'EMPLACEMENT



- 1 Choisissez entre une évacuation verticale (conduit de 8,3 cm x 25,4 cm), une évacuation horizontale (conduit de 8,3 cm x 25,4 cm) et une installation sans conduit. Pour les installations à évacuation horizontale ou verticale, reliez la hotte à un capuchon de mur ou à un capuchon de toit à l'aide de conduits appropriés. Pour obtenir de meilleurs résultats, évitez, dans la mesure du possible, d'utiliser des transitions ou des coudes.
- 2 Consultez les schémas ci-dessous pour savoir où percer les ouvertures dans les armoires ou les murs pour les conduits et les fils électriques. Dans le cas d'une installation non ventilée, NE PERCEZ PAS d'ouverture pour un conduit de rejet d'air.

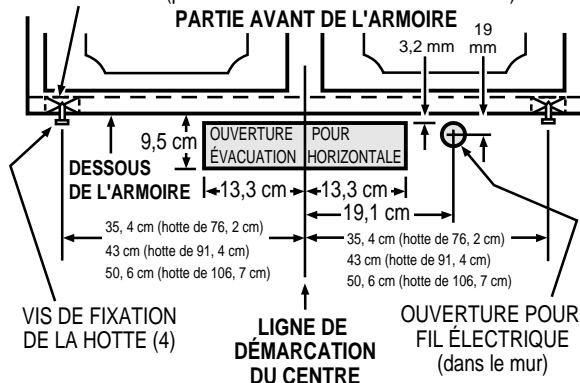
CONDUIT VERTICAL DE 8,3 CM X 25,4 CM

VIS DE FIXATION DE LA HOTTE (4)



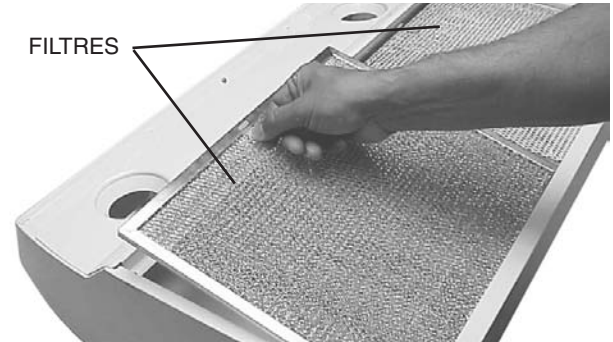
CONDUIT HORIZONTAL DE 8,3 CM X 25,4 CM

CALES DE BOIS (pour armoires à fond rentrant seulement)



- 3 Amenez le fil électrique depuis le panneau d'alimentation jusqu'à l'emplacement prévu pour la hotte.

PRÉPAREZ LA HOTTE



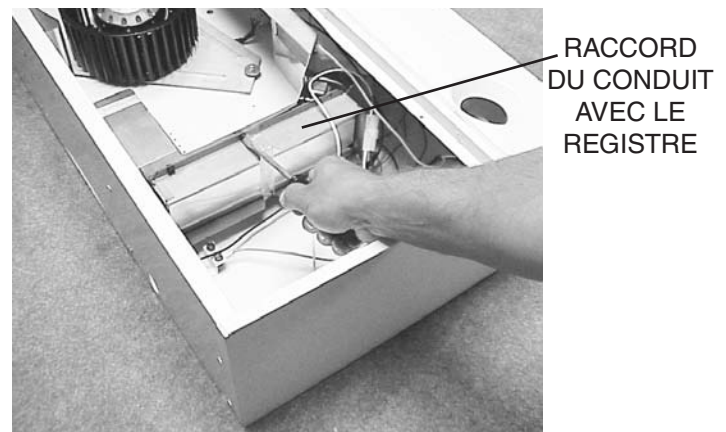
- 1 Retirez le ruban adhésif qui sert à maintenir les filtres en place. Tirez sur les languettes des filtres et soulevez ces derniers. Mettez les filtres de côté.

COUVERCLE PROTÉCTEUR SITUÉ SOUS LA HOTTE À ENDUIT TEFLON® (fixé à l'aide de 2 vis)



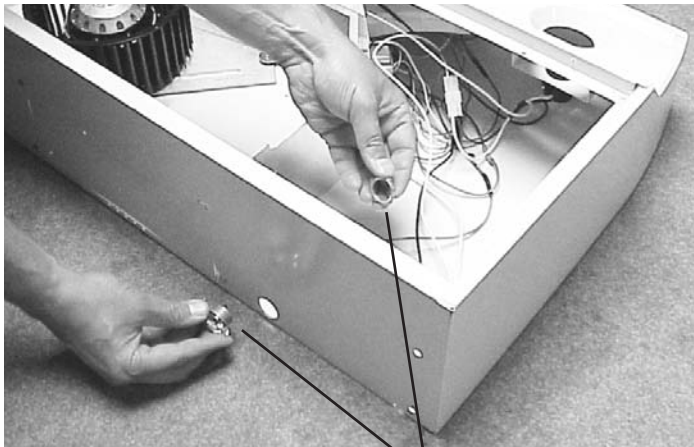
- 2 Retirez le Couvercle protecteur situé sous la hotte à enduit Teflon®. Mettez-le de côté avec les vis d'assemblage.

Teflon® est une marque déposée de DuPont.



- 3 Retirez le raccord du conduit avec le registre de la hotte. Mettez-le de côté avec les vis d'assemblage et le sac contenant les pièces.

PRÉPAREZ LA HOTTE

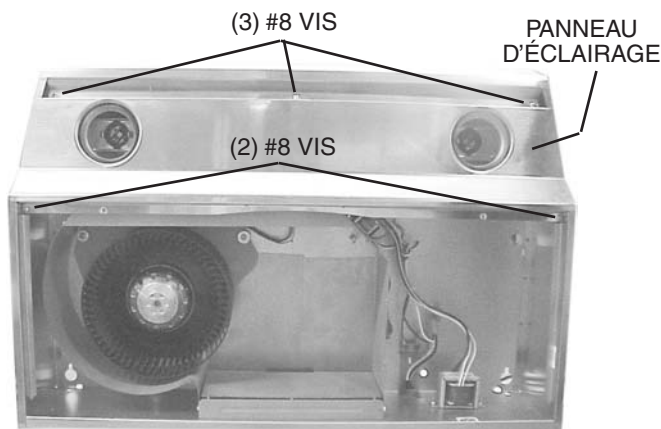


COLLET DE FIXATION DU CÂBLE
D'ALIMENTATION

- 4** Retirez l'une des deux débouchures d'accès du câble d'alimentation (sur le dessus de la hotte ou à l'arrière) et installez un **collet de fixation** répondant aux normes régissant les installations électriques.

Installation avec conduit - Passez à l'étape 11.

Les étapes suivantes (5 à 10) ne concernent que les INSTALLATIONS SANS CONDUIT.



- 5** Enlevez le **panneau d'éclairage** - mainenu par cinq (3) #8 vis et (2) #8 vis.

PRÉPAREZ LA HOTTE

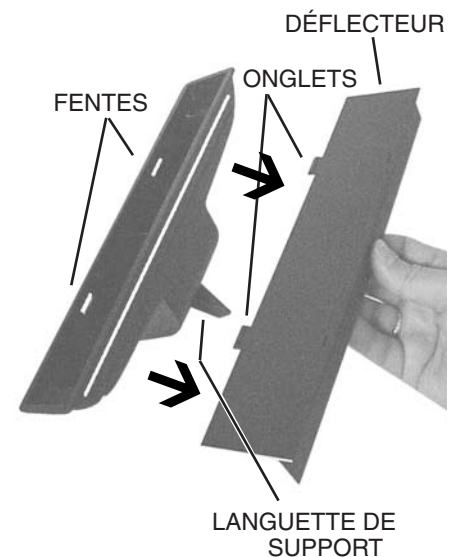
CHUTE D'AIR

- 6** Enlevez le **chute d'air** - maintenue par une (1) vis.

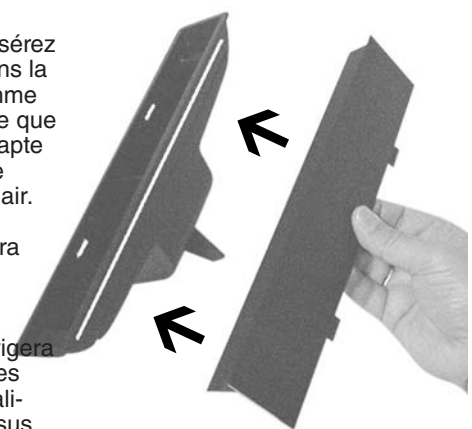
REMARQUE : Prendre garde de ne débrancher aucun fil.



- 7** Enlevez le **défecteur** de la chute d'air. Les **onglets** désengageront des **fentes**.



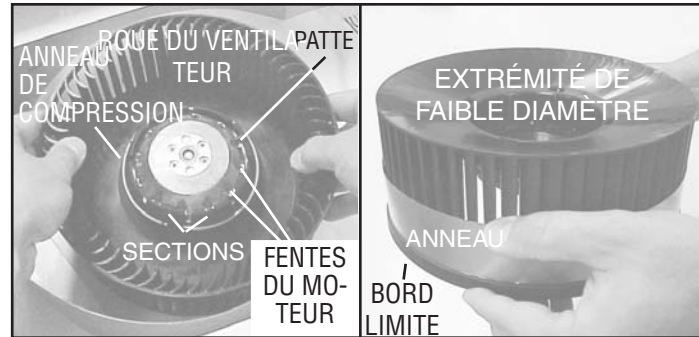
- 8** Faites pivoter le déflecteur. Réinsérez le déflecteur dans la chute d'air (comme montré) de sorte que le déflecteur adapte toute la manière dans la chute d'air. Un "clac" audible sera entendu quand il est entièrement installé. Ceci dirigera l'air traversant les fentes non-canalisesées sur le dessus du hotte.



- 9** Réinstallez la chute d'air et la vis, l'harnais pour fils, et le panneau d'éclairage.

REMARQUE : Prendre garde de ne pas coincer les fils entre la **languelette de support** et le panneau d'éclairage.

PRÉPAREZ LA HOTTE

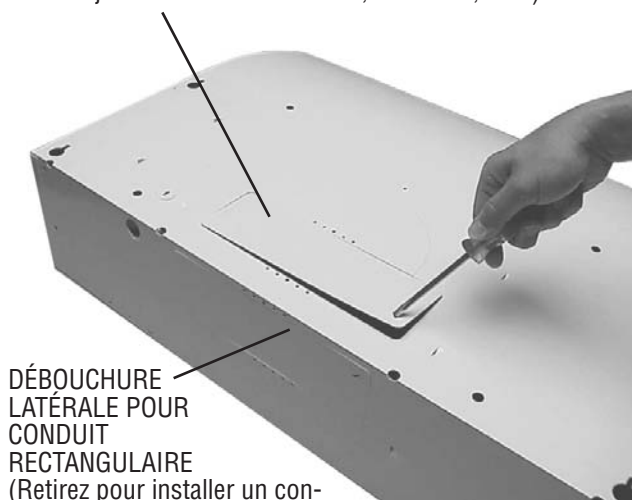


10 Pour installations sans conduit seulement : Vous devez installer un **anneau de puissance** sur la roue du ventilateur.

Pour installer cet anneau :

1. Retirez la **roue du ventilateur** en tirant de façon modérée et en la bougeant pour la désengager du moteur. Retirez **anneau de compression** si nécessaire.
2. Faites glisser l'anneau par-dessus l'**extrémité de faible diamètre** de la roue jusqu'à ce qu'il atteigne le **bord limite** de la roue.
3. Réinstallez la roue sur le moteur. Assurez-vous que la **patte** de la roue s'insère dans l'une des **fentes du moteur**.
4. Poussez sur la roue jusqu'à ce qu'elle s'enclenche.
5. Vérifiez que la roue soit bien installée, tel qu'illustré. Appuyez sur les **sections** pour les engager, si nécessaire. Assurez-vous que la roue tourne librement.

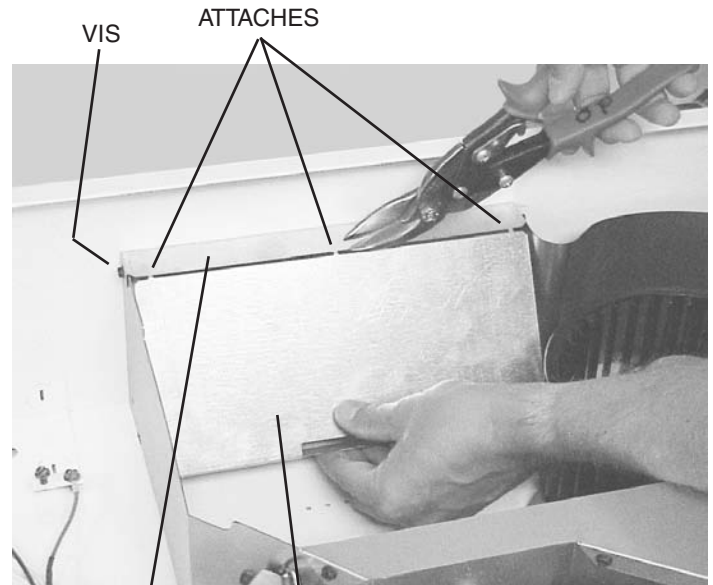
DÉBOUCHURE SUPÉRIEURE POUR CONDUIT RECTANGULAIRE (Retirez pour installer un conduit de rejet d'air à la verticale de 8,3 cm x 25,4 cm)



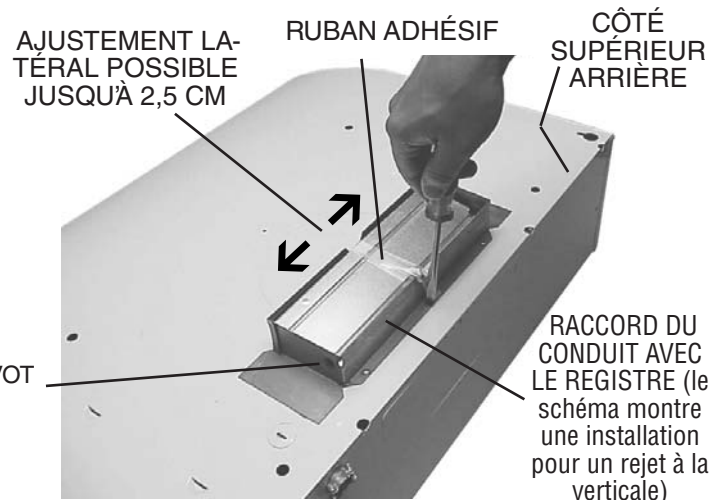
DÉBOUCHURE LATÉRALE POUR CONDUIT RECTANGULAIRE (Retirez pour installer un conduit de rejet d'air à l'horizontale de 8,3 cm x 25,4 cm)

11 Retirez la **débochure** appropriée sur le dessus ou à l'arrière de la hotte.

PRÉPAREZ LA HOTTE



12 Pour évacuation horizontale seulement : Retirez la **plaque** qui protège la débouchure pour évacuation horizontale. Coupez les **attaches** puis retirez et jetez la plaque. **NE RETIREZ PAS** la **languette de métal** maintenue en place par les deux **vis**.



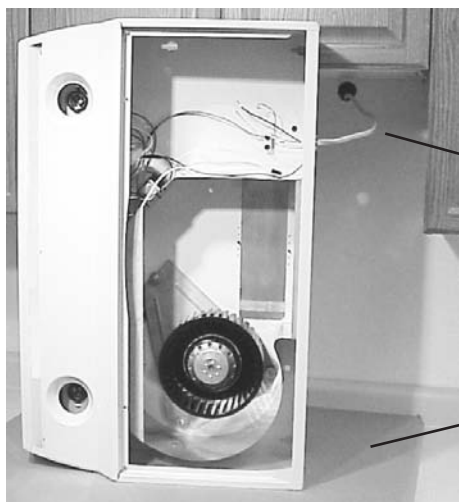
13 Pour les installations avec un conduit de rejet d'air de 8,3 cm x 25,4 cm seulement : Retirez le **ruban adhésif** du volet du registre et fixez le **raccord du conduit avec le registre** sur l'ouverture (débouchure) choisie avec les vis que vous avez retirées lors de l'étape 4 de cette section. Assurez-vous que le **pivot** du registre soit installé près du **côté supérieur arrière** de la hotte.

NOTA Le raccord du conduit avec le registre et peuvent être installés avec un jeu de 2,5 cm de part et d'autre de la ligne de démarcation centrale pour s'adapter aux conduits qui ne sont pas parfaitement centrés. Dans certains cas extrêmes, il peut être nécessaire de tailler l'une des extrémités du raccord de conduit pour permettre un dégagement du collet de fixation du câble d'alimentation.

BRANCHEZ LES FILS D'ALIMENTATION ÉLECTRIQUE



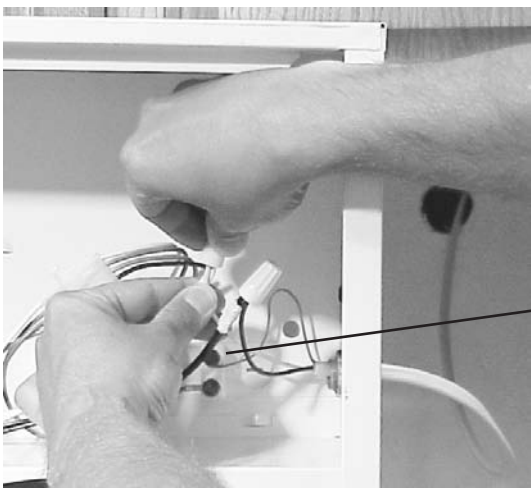
AVERTISSEMENT: Afin de prévenir les risques d'électrocution, assurez-vous que le courant ait été interrompu au panneau d'alimentation principal. Verrouillez ce dernier ou apposez un indicateur voyant pour éviter que quelqu'un ne remette accidentellement le courant en marche.



CÂBLE D'ALIMENTATION DU PANNEAU PRINCIPAL (120 V, courant alternatif)

MORCEAU DE CARTON (pour protéger la surface de cuisson)

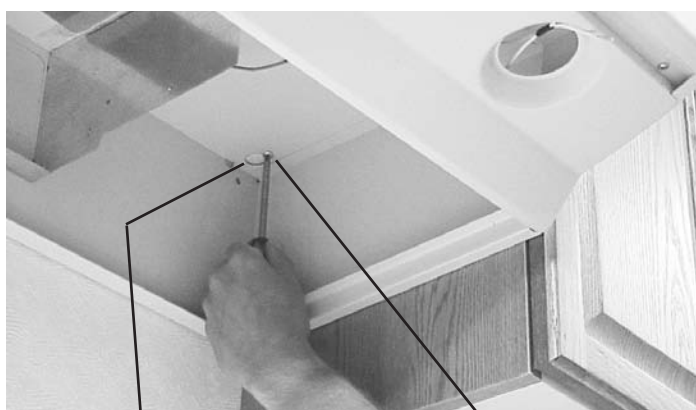
- 1 Branchez le **câble d'alimentation du panneau principal** (120 V, courant alternatif) à la hotte. Si nécessaire, utilisez un **morceau de carton** pour protéger la surface de cuisson.



VIS VERTE DE MISE À LA TERRE

- 2 Branchez le fil noir du panneau principal au fil noir de la hotte, le fil blanc du panneau principal au fil blanc de la hotte et le fil de mise à la terre du panneau principal à la **vis verte de mise à la terre**. Utilisez le collet de fixation pour maintenir solidement en place le câble d'alimentation.

INSTALLEZ LA HOTTE



OUVERTURE EN FORME DE TROU DE SERRURE (4) OUVERTURE EN FORME DE TROU DE SERRURE (4)

- 1 Utilisez les 4 **vis d'assemblage** (que vous retrouverez dans le sac contenant les pièces) pour suspendre la hotte. Faites glisser la hotte vers le mur pour engager les vis dans la partie étroite des 4 **ouvertures en forme de trou de serrure**. Serrez solidement les vis d'assemblage. Utilisez un tournevis long.

- 2 Remettez en place le couvercle protecteur sous la hotte.



RUBAN ADHÉSIF POUR SCELLER LES CONDUITS

- 3 Raccordez le conduit à la hotte. Utilisez du **ruban adhésif pour sceller les conduits** pour rendre votre installation étanche.



AMPOULES HALOGÈNES (2) PAR 20, 50 WATTS MAXIMUM OU AMPOULES RÉGULIÈRES (2) R16, 40 WATTS MAXIMUM

- 4 Installez 2 **ampoules halogènes** PAR20 de 50 W maximum ou 2 **ampoules régulières** R16 de 40 W maximum (ampoules vendues séparément).



Avvertissement : Les ampoules peuvent devenir très chaudes ! Consultez les directives sur l'emballage pour plus d'information.

- 5 Remettez les filtres en place, remettez le courant en marche depuis le panneau principal et effectuez un test pour vous assurer du bon fonctionnement.

FILTRES SANS CONDUIT

Si la hotte est installée sans conduit:

Procurez-vous un ensemble de 2 filtres pour installation non ventilée et fixez-les aux filtres d'aluminium. Ces filtres sont disponibles chez le distributeur de votre région ou chez le marchand qui vous a vendu la hotte.

NOTA: Pour les modèles installés sans mise à l'air libre, le fonctionnement le plus efficace est obtenu aux régimes 1 et 2. Ceux-ci offrent un meilleur rendement et un fonctionnement silencieux pendant la cuisson, tout en maximisant les avantages du système de filtration par recyclage.

FONCTIONNEMENT



Ventilateur et éclairage : Chacune de ces fonctions est contrôlée à l'aide de 3 boutons. Appuyez sur l'un de ces 3 boutons pour choisir l'une des trois intensités du ventilateur ou l'une des trois intensités d'éclairage. Appuyez sur ce même bouton pour éteindre le ventilateur ou l'éclairage. Appuyez sur un autre bouton pour changer l'intensité du ventilateur ou de l'éclairage. Un indicateur lumineux au-dessus de chacun des boutons du ventilateur indique à quelle intensité le ventilateur a été réglé.

Détecteur de chaleur: Votre hotte de cuisine est équipée d'une fonction de détecteur de chaleur qui surveille la température. Le détecteur de chaleur met automatiquement le ventilateur en marche à la vitesse maximale lorsque la température excède la normale.

- 1) Si l'un des réglages du ventilateur est sélectionné alors que le détecteur de chaleur est activé, le voyant lumineux situé au-dessus du bouton du ventilateur se met à clignoter.
- 2) Si le ventilateur est réglé sur "arrêt" alors que le détecteur de chaleur est activé, le voyant lumineux situé au-dessus du bouton 3 se met à clignoter rapidement. Une fois la température revenue à la normale, le ventilateur reprend automatiquement le réglage choisi avant l'entrée en fonction du détecteur de chaleur.

Fusible: La commande de la hotte contient un fusible pour la protéger contre les surtensions. Si le fusible a sauté (grillé), les voyants verts indiquant la force du ventilateur s'allument normalement lorsque l'on appuie sur les boutons et les interrupteurs, mais ni le ventilateur ni la lumière ne fonctionnent.

Le fusible est de 5 x 20 mm, 10 A, à action rapide, 125 V (min.). Les principaux fabricants et numéros de pièce sont : Littlefuse, 217010 ; Bussmann, GMA10A ; Wickmann, 1942100. Radio Shack, Digkey (1-800-344-4539) et la plupart des magasins d'électronique ont ces fusibles en stock.

Pour remplacer le fusible :

1. Couper le courant au panneau électrique.
2. Enlever les filtres, le panneau inférieur, le connecteur de la lumière et le volet d'évacuation.
3. Enlever et inspecter le fusible. S'il n'a pas sauté (grillé), un diagnostic plus poussé doit être effectué.
4. Installer le nouveau fusible.
5. Remonter le volet d'évacuation, le connecteur de la lumière, le panneau inférieur et les filtres.
6. Rétablir le courant et vérifier le fonctionnement de la hotte et des commandes.

ENTRETIEN



AVERTISSEMENT : Afin de prévenir les risques d'électrocution, interrompez le courant avant de procéder à l'entretien de la hotte.

Filtres d'aluminium: Nettoyez régulièrement à l'eau chaude avec un peu de détergent doux. Vous pouvez également les nettoyer au lave-vaisselle.

Filtres à charbon actif: Nettoyez souvent la surface des filtres avec un chiffon mouillé et un détergent doux. NE PLONGEZ PAS ces filtres dans l'eau et ne les nettoyez pas au lave-vaisselle. L'indicateur spécial "Clean Sense" s'active lorsqu'il est temps de remplacer le filtre. Les bandes bleue et jaune se mêlent pour verdir pour vous signaler qu'il est temps de le remplacer. L'indicateur "Clean Sense" fonctionne mieux lorsqu'il fait face à la surface de cuisson.

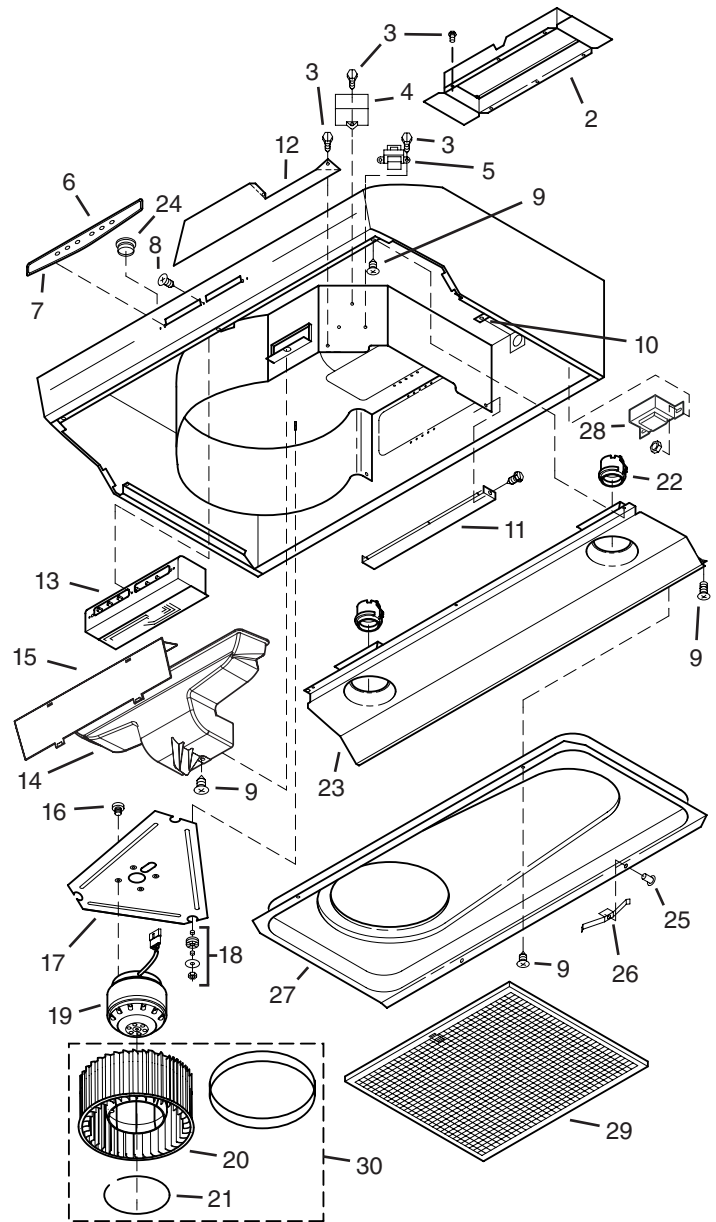
Pour nettoyer la hotte: Retirez les filtres. Utilisez un chiffon mouillé et un détergent doux. Ne pas utiliser de chiffon abrasif, ni laine d'acier, ni poudre à récuser sur le couvercle protecteur situé sous la hotte à enduit Teflon® ni sur toute surface peinte. Nettoyez délicatement l'hélice du ventilateur afin d'éviter de l'endommager ou de la déplacer. LE MOTEUR NE DOIT JAMAIS ÊTRE EXPOSÉ À L'EAU. Assurez-vous que toutes les surfaces soient bien sèches avant de remettre les filtres en place et de re-brancher la hotte.

Le moteur bénéficie d'une lubrification permanente. Ne démontez pas le moteur et n'essayez pas d'y ajouter de l'huile ou un lubrifiant quelconque.

Teflon^{MD} une marque déposée enregistrée de DuPont.

PIÈCES DE REMPLACEMENT

NO. DU SCHEMA	NO. DE PIÈCE	DESCRIPTION
2	R740013	Raccord du conduit avec le registre (avec vis d'assemblage)
3	R602017	Vis # 8-18 x 1/4 six pans* (2)
4	R334755	Condensateur pour moteur (avec serre-fils et vis d'assemblage)
5	R501031	Transformateur d'isolement
6	R627501	Plaque d'identification, blanche
	R627502	Plaque d'identification, amande
	R627503	Plaque d'identification, noire
	R627528	Plaque d'identification, beige
7	R169005	Panneau de contrôle, blanc (avec clé #6 et vis d'assemblage)
	R169006	Panneau de contrôle, amande (avec clé #6 et vis d'assemblage)
	R169007	Panneau de contrôle, noir (avec clé #6 et vis d'assemblage)
	R169008	Panneau de contrôle, beige (avec clé #6 et vis d'assemblage)
8	R601535	Vis pour déflect. plastique #6 x 1/2 tête plate (3)
9	R602534	Vis # 8-18 x 3/8 (2)
10	R602533	Vis de mise à la terre
11	R680505	Couvercle de volute, entrée d'alimentation (avec vis d'assemblage)
12	R680507	Couvercle de volute, partie avant (avec vis d'assemblage)
13	R111663	Bloc de contrôle (avec clés # 6, 7 et vis d'assemblage)
14	R401647	Ensemble de déflecteur pour retour d'air (avec clé # 15 et vis d'assemblage)
15	R401646	Déflecteur
16	R601536	Vis métrique M4 x 6 mm (4)
17	R651973	Plaque moteur (avec clé # 18)
18	R169009	Ensemble plaque moteur (3 exemplaires de chaque composante)
19	R520132	Moteur (avec clé # 17)
20	R531068	Roue du ventilateur (avec clé # 22)
21	R607215	Anneau de compression
22	R111630	Ensemble de douille de lampe
23	R7201731	Panneau d'éclairage, blanc, hotte de 76,2 cm
	R7201751	Panneau d'éclairage, blanc, hotte de 91,4 cm
	R7201771	Panneau d'éclairage, blanc, hotte de 106,7 cm
	R7201732	Panneau d'éclairage, amande, hotte de 76,2 cm
	R7201752	Panneau d'éclairage, amande, hotte de 91,4 cm
	R7201772	Panneau d'éclairage, amande, hotte de 106,7 cm
	R7201734	Panneau d'éclairage, noir, hotte de 76,2 cm
	R7201754	Panneau d'éclairage, noir, hotte de 91,4 cm
	R7201774	Panneau d'éclairage, noir, hotte de 106,7 cm
	R7201735	Panneau d'éclairage, beige, hotte de 76,2 cm
	R7201755	Panneau d'éclairage, beige, hotte de 91,4 cm
	R7201775	Panneau d'éclairage, beige, hotte de 106,7 cm
	R720174	Panneau d'éclairage, acier inoxydable, hotte de 76,2 cm
	R720176	Panneau d'éclairage, acier inoxydable, hotte de 91,4 cm
	R720178	Panneau d'éclairage, acier inoxydable, hotte de 106,7 cm
24	R607660	Prise de trou (1 nécessaire)
25	*	Rivet 32 mm (3 nécessaires)
26	R169016	Ressort pour le filtre
27	R680515	Couvercle protecteur sous la hotte de 76,2 cm (avec clés # 9, 25 et 26)
		Couvercle protecteur sous la hotte de 91,4 cm (avec clés # 9, 25 et 26)
		Couvercle protecteur sous la hotte de 106,7 cm (avec clés # 9, 25 et 26)
28	R501034	Autotransformateur (avec vis d'assemblage)
29	99010302	Filtre d'aluminium pour hotte de 76,2 cm (2 par sac)
	99010303	Filtre d'aluminium pour hotte de 91,4 cm (2 par sac)
	99010304	Filtre d'aluminium pour hotte de 106,7 cm (2 par sac)
30	R730111	Ensemble de turbine pour hotte sans conduit (avec clés # 20 et 21)
**	99010308	Ens. de filtres pour instal. sans conduit, hotte 76,2 cm
**	99010309	Ens. de filtres pour instal. sans conduit, hotte 91,4 cm
**	99010310	Ens. de filtres pour instal. sans conduit, hotte 106,7cm
**	R111627	Harnais pour fils
**	R564074	Fusible de contrôle, 10-Amp



Commandez les pièces de remplacement en spécifiant le numéro de pièce et non le numéro du schéma.

* Pièce que vous pouvez vous procurer dans toute bonne quincaillerie.

** Non illustré

GARANTIE

GARANTIE LIMITÉE D'UN AN DE BROAN-NUTONE

Broan-NuTone garantit à l'acheteur consommateur original de ses produits qu'ils sont exempts de vice de matériaux ou de fabrication pour une période d'un an à compter de la date d'achat original. IL N'Y A PAS D'AUTRES GARANTIES, EXPRIMÉES OU IMPLICITES, INCLUANT MAIS NON LIMITÉES AUX GARANTIES IMPLICITES DE QUALITÉ MARCHANDE ET DE CONVENANCE DANS UN BUT PARTICULIER.

Durant cette période d'un an, Broan-NuTone, à sa discrétion, réparera ou remplacera gratuitement tout produit ou pièce qui s'avèrera défectueux et ayant été utilisé normalement et d'une manière non abusive.

CETTE GARANTIE NE COUVRE PAS LES STARTERS DE TUBES FLUORESCENTS NI LES TUBES FLUORESCENTS. Cette garantie ne couvre pas (a) l'entretien et le service normal ou (b) tout produit ou pièce endommagé à la suite d'un mauvais usage, d'une négligence, d'un accident, d'un entretien inadéquat ou d'une réparation (autre que par Broan-NuTone), d'une mauvaise installation ou d'une installation non conforme au mode d'installation recommandé.

La durée de toute garantie implicite est limitée à une période d'un an tel que spécifié pour la garantie exprimée. Certains États ou provinces ne permettent pas de limitation de la durée d'une garantie implicite. Cette condition ne s'applique donc peut-être pas dans votre cas.

L'ENGAGEMENT DE BROAN-NUTONE À RÉPARER OU À REMPLACER, AU CHOIX DE BROAN-NUTONE, SERA LA SEULE OBLIGATION EXCLUSIVE SOUS CETTE GARANTIE. BROAN-NUTONE NE SE TIENDRA PAS RESPONSABLE DES DOMMAGES DIRECTS, INDIRECTS OU SPÉCIAUX AYANT UN LIEN DIRECT OU INDIRECT AVEC L'UTILISATION OU LA PERFORMANCE DE SES PRODUITS. Certains États ou provinces ne permettent pas l'exclusion ou la limitation de dommages directs ou indirects. Cette condition ne s'applique donc peut-être pas dans votre cas.

Cette garantie vous donne des droits spécifiques et il se peut que vous ayez d'autres droits qui varient d'une province à l'autre ou d'un État à l'autre. Cette garantie annule toutes les garanties précédentes.

Pour le service sous garantie, vous devez (a) aviser Broan-NuTone à l'adresse ou numéro de téléphone mentionnée ci-dessous, (b) donner le numéro ou le modèle et l'identification de la pièce et (c) décrire la nature de tout défaut dans le produit ou la pièce. Au moment de la demande de service sous garantie, vous devez présenter une preuve de la date d'achat original du produit en question.

Broan-NuTone LLC Hartford, Wisconsin www.broan.com 800-558-1711

Broan-NuTone Canada Mississauga, Ontario www.fr.broan.ca 877-896-1119