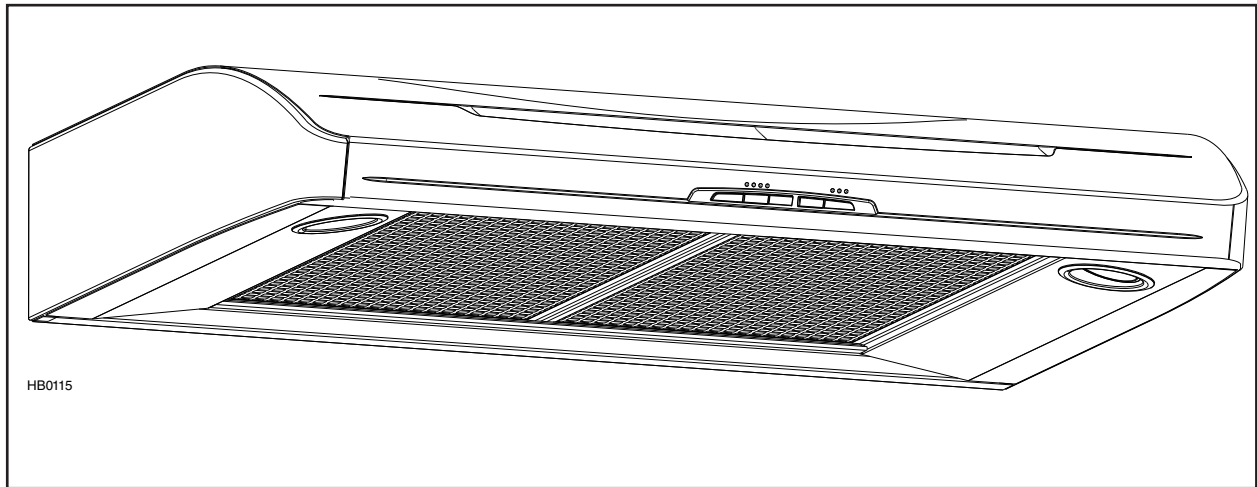


INSTALLATION INSTRUCTIONS

BROAN® *Elite*



MODEL E661

⚠ INTENDED FOR DOMESTIC COOKING ONLY ⚠

READ AND SAVE THESE INSTRUCTIONS

INSTALLER: LEAVE THIS MANUAL WITH HOMEOWNER.
HOMEOWNER: USE AND CARE INFORMATION ON PAGES 12 & 13.

Broan-NuTone Canada ULC; Mississauga, Ontario www.broan.ca 1-877-896-1119

REGISTER YOUR PRODUCT ONLINE AT: www.broan.com/register



7 72371 13296 2

21236 Rev. 01

WARNING

TO REDUCE THE RISK OF FIRE, ELECTRIC SHOCK OR INJURY TO PERSONS, OBSERVE THE FOLLOWING:

1. Use this unit only in the manner intended by the manufacturer. If you have questions, contact the manufacturer at the address or telephone number listed in the warranty.
2. Before servicing or cleaning unit, switch power off at service panel and lock service disconnecting means to prevent power from being switched on accidentally. When the service disconnecting means cannot be locked, securely fasten a prominent warning device, such as a tag, to the service panel.
3. Installation work and electrical wiring must be done by qualified personnel in accordance with all applicable codes and standards, including fire-rated construction codes and standards.
4. Sufficient air is needed for proper combustion and exhausting of gases through the flue (chimney) of fuel burning equipment to prevent backdrafting. Follow the heating equipment manufacturer's guidelines and safety standards such as those published by the National Fire Protection Association (NFPA) and the American Society for Heating, Refrigeration and Air Conditioning Engineers (ASHRAE) and the local code authorities.
5. When cutting or drilling into wall or ceiling, do not damage electrical wiring and other hidden utilities.
6. Ducted fans must always be vented to the outdoors.
7. Do not use this unit with any additional solid-state speed control device.
8. To reduce the risk of fire, use only metal ductwork.
9. This unit must be grounded.
10. When performing installation, servicing or cleaning the unit, it is recommended to wear safety glasses and gloves.
11. When applicable local regulations comprise more restrictive installation and/or certification requirements, the aforementioned requirements prevail on those of this document and the installer agrees to conform to these at his own expenses.

TO REDUCE THE RISK OF A RANGE TOP GREASE FIRE:

- a) Never leave surface units unattended at high settings. Boilovers cause smoking and greasy spillovers that may ignite. Heat oils slowly on low or medium settings.
- b) Always turn hood ON when cooking at high heat or when flambeing food (i.e.: Crêpes Suzette, Cherries Jubilee, Peppercorn Beef Flambé).
- c) Clean ventilating fans frequently. Grease should not be allowed to accumulate on fan, filters or in exhaust ducts.
- d) Use proper pan size. Always use cookware appropriate for the size of the surface element.

WARNING

TO REDUCE THE RISK OF INJURY TO PERSONS IN THE EVENT OF A RANGE TOP GREASE FIRE, OBSERVE THE FOLLOWING*:

1. SMOTHER FLAMES with a close-fitting lid, cookie sheet or metal tray, then turn off the burner. BE CAREFUL TO PREVENT BURNS. IF THE FLAMES DO NOT GO OUT IMMEDIATELY, EVACUATE AND CALL THE FIRE DEPARTMENT.
2. NEVER PICK UP A FLAMING PAN — You may be burned.
3. DO NOT USE WATER, including wet dishcloths or towels — This could cause a violent steam explosion.
4. Use an extinguisher ONLY if:
 - A. You own a Class ABC extinguisher and you know how to operate it.
 - B. The fire is small and contained in the area where it started.
 - C. The fire department has been called.
 - D. You can fight the fire with your back to an exit.

* Based on "Kitchen Fire Safety Tips" published by NFPA.

CAUTION

1. For indoor use only.
2. For general ventilating use only. Do not use to exhaust hazardous or explosive materials and vapors.
3. To avoid motor bearing damage and noisy and/or unbalanced impeller, keep drywall spray, construction dust, etc. off power unit.
4. Your hood motor has a thermal overload which will automatically shut off the motor if it becomes overheated. The motor will restart when it cools down. If the motor continues to shut off and restart, have the hood serviced.
5. The minimum hood distance above cooktop must not be less than 24". A maximum of 30" above cooktop is highly recommended for best capture of cooking impurities. **For a gas range**, the bottom of the hood **MUST NOT BE LESS** than 30" above cooktop.
6. Two installers are recommended because of the large size and weight of this hood.
7. To reduce the risk of fire and to properly exhaust air, be sure to duct air outside — Do not exhaust air into spaces within walls or ceiling or into attics, crawl space or garage.
8. Because of the high exhausting capacity of this hood, you should make sure enough air is entering the house to replace exhausted air by opening a window close to or in the kitchen.
9. Use with approved cord-connection kit only.
10. Please read specification label on product for further information and requirements.

TABLE OF CONTENTS

1. INSTALL DUCTWORK	4
2. PREPARE INSTALLATION	4-5
3. PREPARE HOOD	5-8
4. INSTALL ADAPTER/DAMPER	9
5. INSTALL HOOD	10
6. CONNECT WIRING	10
7. REINSTALL BOTTOM PANEL	11
8. LED LIGHTING	11
9. OPERATION	12
10. USE AND CARE	13
11. WIRING DIAGRAM	13
12. SERVICE PARTS	14

WARRANTY

ONE YEAR LIMITED WARRANTY FOR BROAN ELITE PRODUCTS

Broan-NuTone Canada (Broan NuTone) warrants to the original consumer purchaser of its products that such products will be free from defects in material and workmanship for a period of one (1) year from the date of original purchase. LED modules and LED driver, are also covered by this warranty for a period of one (1) year. THERE ARE NO OTHER WARRANTIES, EXPRESSED OR IMPLIED, INCLUDING, BUT NOT LIMITED TO, IMPLIED WARRANTIES OR MERCHANTABILITY OR FITNESS FOR A PARTICULAR PURPOSE.

During this one-year period, Broan-NuTone will, at its option, repair or replace, without charge, any product or part which is found to be defective under normal use and service.

THIS WARRANTY DOES NOT EXTEND TO FLUORESCENT LAMP STARTERS OR TUBES, HALOGEN AND INCANDESCENT BULBS, FUSE, FILTERS, DUCTS, ROOF CAPS, WALL CAPS AND OTHER ACCESSORIES FOR DUCTING. This warranty does not cover (a) normal maintenance and service or (b) any products or parts which have been subject to misuse, negligence, accident, improper maintenance or repair (other than by Broan-NuTone), or c) faulty installation or installation contrary to recommended installation instructions.

Warranty service is to be completed by an authorized Service Center designated by Broan-NuTone. Where applicable, in-home service will be made available only in areas where a contracted service provider offers service. If in-home service is not available, the product will be repaired or replaced, at Broan-NuTone's discretion, by the nearest authorized service provider. The unit removal and reinstallation works are under the customer responsibility, and Broan-NuTone cannot be charged for them.

The duration of any implied warranty is limited to the one-year period as specified for the express warranty. Some provinces do not allow limitation on how long an implied warranty lasts, so the above limitation may not apply to you.

BROAN-NUTONE'S OBLIGATION TO REPAIR OR REPLACE, AT BROAN-NUTONE'S OPTION, SHALL BE THE PURCHASER'S SOLE AND EXCLUSIVE REMEDY UNDER THIS WARRANTY. BROAN-NUTONE SHALL NOT BE LIABLE FOR INCIDENTAL, CONSEQUENTIAL OR SPECIAL DAMAGES ARISING OUT OF OR IN CONNECTION WITH PRODUCT USE OR PERFORMANCE. Some provinces do not allow the exclusion or limitation of incidental or consequential damages, so the above limitation or exclusion may not apply to you.

This warranty gives you specific legal rights and you may also have other rights, which vary from a province to another. This warranty supersedes all prior warranties.

Replacement parts and repair: In order to ensure your ventilation unit remains in good working condition, you must use Broan-NuTone genuine replacement parts only. Broan-NuTone genuine replacement parts are specially designed for each unit and are manufactured to comply with all the applicable certification standards and maintain a high standard of safety. Any third party replacement part used may cause serious damage and drastically reduce the performance level of your unit, which will result in premature failing. Broan-NuTone also recommends to contact a Broan-NuTone certified service depot for all replacement parts and repair.

To qualify for warranty service, you must (a) notify Broan-NuTone at the address or telephone number stated below, (b) give the model number and part identification and (c) describe the nature of any defect in the product or part. At the time of requesting warranty service, you must present evidence of the original purchase date.

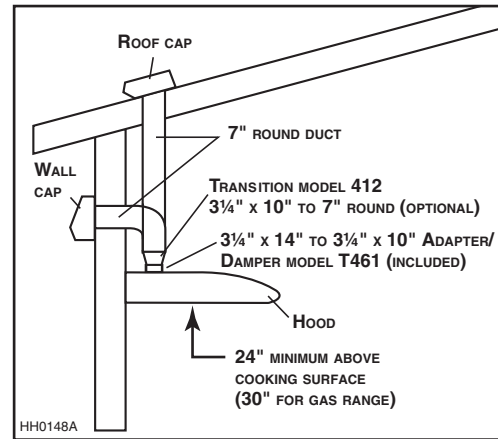
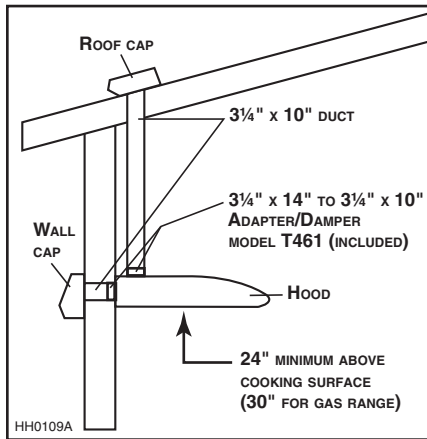
Broan-NuTone Canada ULC, 1140 Tristar Drive, Mississauga, ON L5T 1H9 www.broan.ca 1-877-896-1119

1. INSTALL DUCTWORK

Plan where and how the ductwork will be installed.

Install proper-sized ductwork, elbows and roof or wall cap. Use 2" metal foil duct tape to seal joints.

We recommend to install the hood at a minimum distance of 24" from an electric range and 30" from a gas range. Distances over 30" are at the installer and users discretion.



2. PREPARE INSTALLATION

NOTE: Before proceeding to the installation, check the contents of the box. If items are missing or damaged, contact the manufacturer. Make sure that the following items are included:

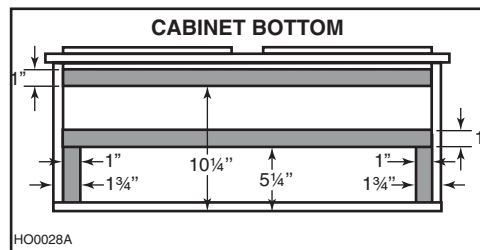
- Hood
- Accessories:
 - 2 Filters
 - Plastic diverter (assembled in hood)
 - T461 3 1/4" x 14" to 3 1/4" x 10" adapter/damper (inside one filler)
 - Bag of parts (inside one filler) including:
 - 1 wire clamp, 9 no. 8 x 1/2" screws, 2 wire connectors and 3 no. 6 x 1/2" standard screws

Parts sold separately:

- Transition 3 1/4" x 10" to 7" round model no. 462 (optional), ducts, elbows, dampers, wall or roof caps.

NOTES: 1. During installation, protect countertop and/or cooktop.

2. If the bottom of the cabinet is recessed, attach four 1" wide wood strips (not included), as shown below, in order to properly attach the hood to the cabinet. The wood strips must be as thick as recess.



⚠ WARNING

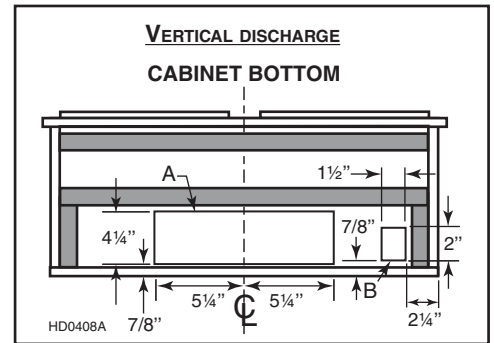
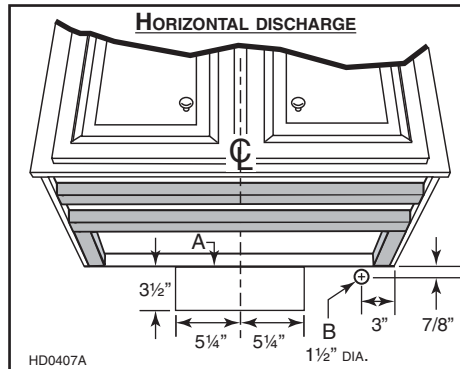
When performing installation, servicing or cleaning the unit, it is recommended to wear safety glasses and gloves.

2. PREPARE INSTALLATION (CONT'D)

Cut-out the openings for duct (A) and power cable (B), in cabinet or wall, according to the direction of discharge chosen.

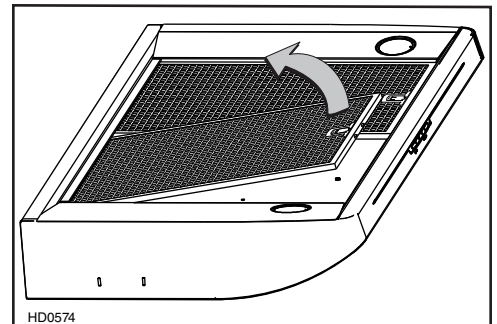
See figures at right.

NOTE: The duct opening width (A) is 10½", centered.

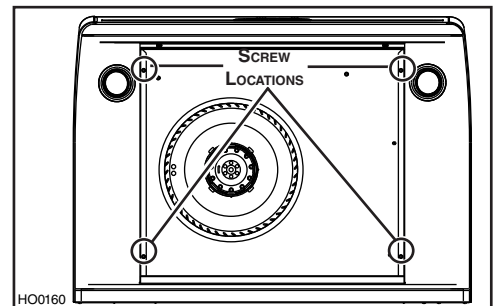


3. PREPARE HOOD

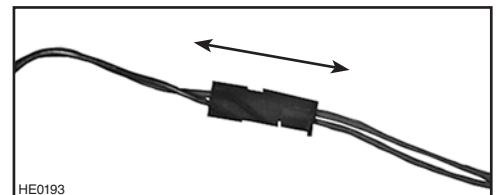
- 3.1 Pull latch tabs and remove filters from the hood.



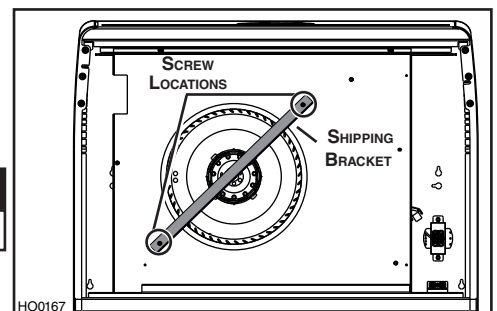
- 3.2. Remove both screws retaining each side panel and set aside.



- 3.3 Press on tab and pull to disconnect LED light modules from electrical harnesses. Remove both panels and set aside.



- 3.4 Remove both shipping bracket retaining screws. Discard the shipping bracket and one of its screw (set the second screw aside).



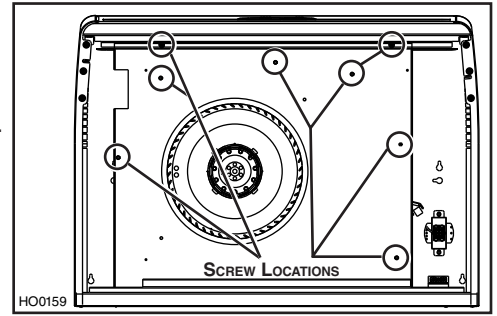
CAUTION

Do not reinstall the shipping bracket.

3. PREPARE HOOD (CONT'D)

- 3.5 Remove the 8 screws retaining the bottom panel to the hood and set aside. Slide out the bottom panel and set aside.

NOTE: Wires not shown in illustration to ease understanding.

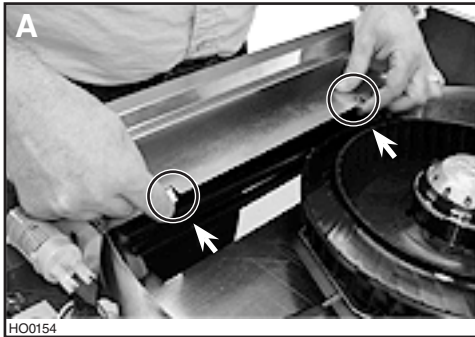


FOR VERTICAL DISCHARGE:

Go to step 3.11 on page 8.

FOR HORIZONTAL DISCHARGE ONLY

- 3.6 From inside the hood, remove and discard the plastic air deviator following the 4 steps below.



Unfold both fan scroll tabs.



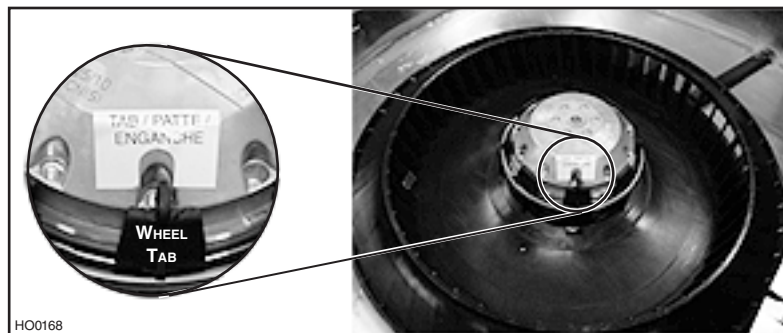
Lift the blower wheel to remove and set aside.



Slide the plastic deviator out and discard.



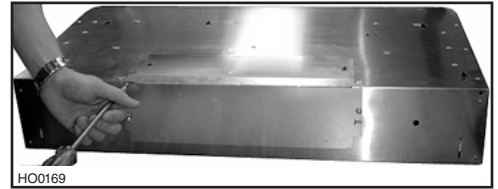
Reinstall blower wheel ensuring its tab is aligned with the yellow sticker affixed on the motor. (As illustrated below.)



3. PREPARE HOOD (CONT'D)

FOR HORIZONTAL DISCHARGE ONLY (CONT'D):

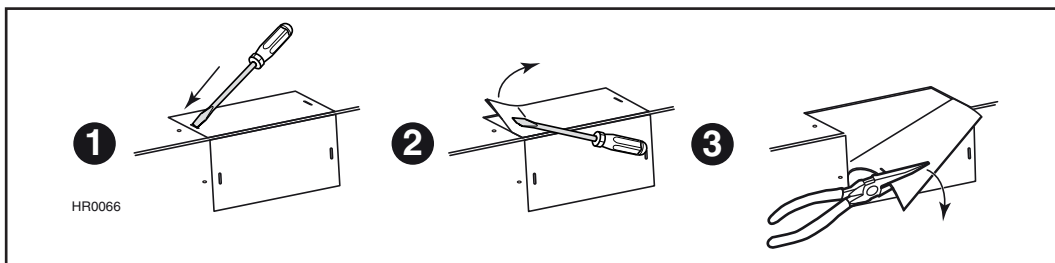
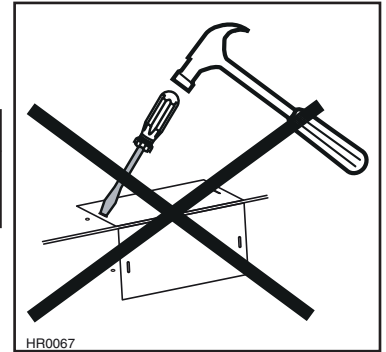
- 3.7 Turn the hood over and remove the metal shutoff plate from the back of the hood, by removing its 3 retaining screws. Set the screws aside.



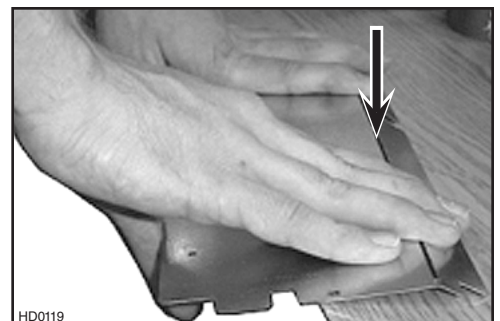
- 3.8 Using a straight-blade screwdriver, remove the discharge knock-out. To ease removal, use a long nose pliers for the third step. See figures below.

CAUTION

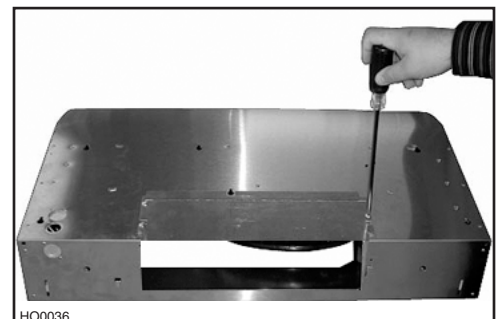
Never use a hammer and a screwdriver to punch out the discharge knock-out, because this will damage the hood internal parts.



- 3.9 Press the metal shutoff plate on a flat surface to completely flatten bent flange.



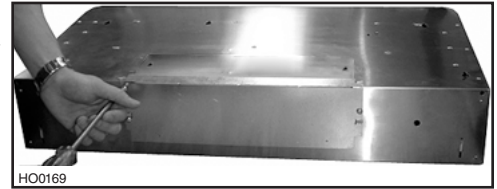
- 3.10 Using the 3 screws removed from 3.7, install the metal shutoff plate on top of the hood.



3. PREPARE HOOD (CONT'D)

FOR VERTICAL DISCHARGE ONLY:

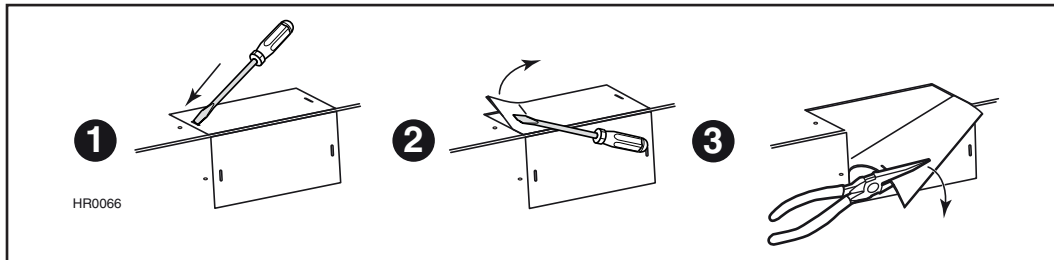
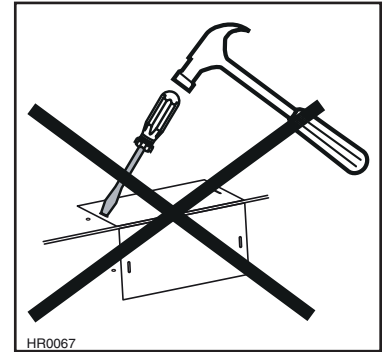
- 3.11 Turn the hood over and remove the metal shutoff plate from the back of the hood, by removing its 3 retaining screws. Set the screws aside.



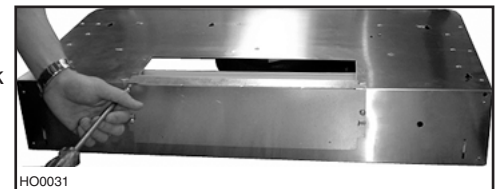
- 3.12 Using a straight-blade screwdriver, remove the discharge knock-out. To ease removal, use a long nose pliers for the third step. See figures below.

CAUTION

Never use a hammer and a screwdriver to punch out the discharge knock-out, because this will damage the hood internal parts.



- 3.13 Using the 3 screws removed from 3.11, install the metal shutoff plate on the back of the hood.



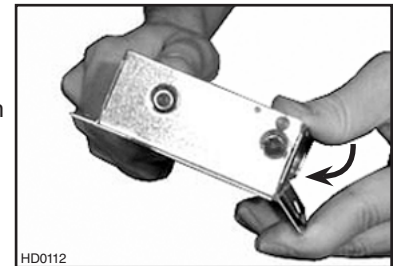
4. INSTALL ADAPTER/DAMPER

The wall duct must be roughed-in to properly interface with the hood. Before performing the installation, make sure the adapter fits easily in the duct. If this hood replaces an existing hood, please note that location of the air exhaust can vary from one hood manufacturer to another.

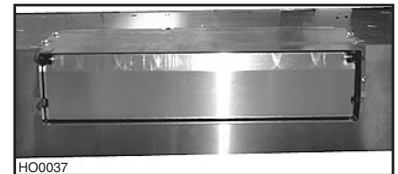
FOR HORIZONTAL DISCHARGE ONLY:

- 4.1 Remove tape on damper.

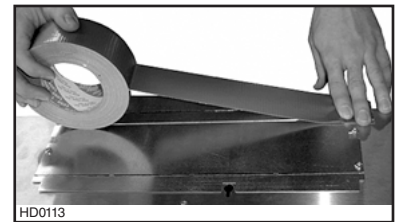
Fold down the foldable flange of the adapter/damper. This flange must be at 90° from the remaining flanges. See picture at right.



- 4.2 Using three no. 6 x 1/2" screws provided, secure the adapter to the back of the hood.



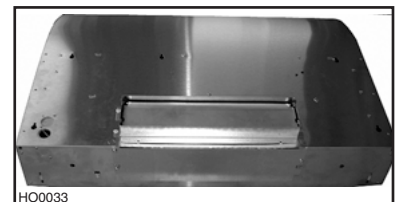
- 4.3 Seal the adapter and the metal shutoff plate to the hood using metal foil duct tape.



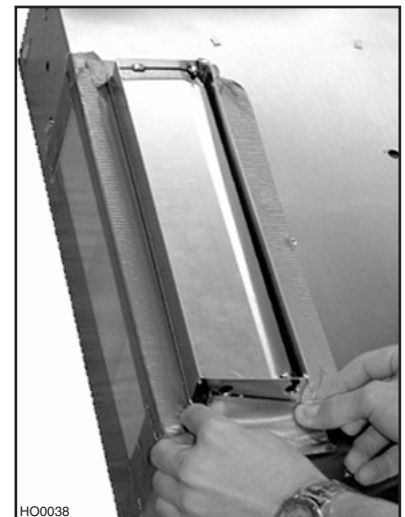
FOR VERTICAL DISCHARGE ONLY:

- 4.4 Remove tape on damper.

Using three no. 6 x 1/2" screws provided, secure the adapter to the top of the hood.



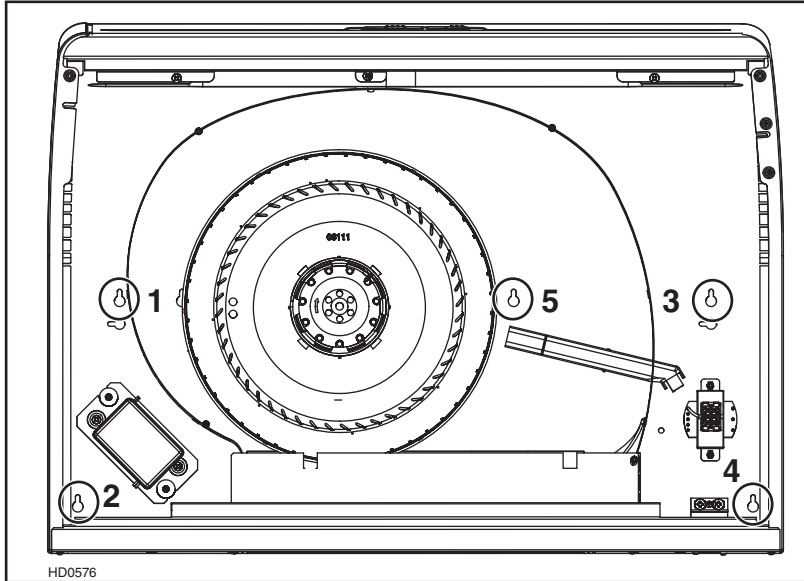
- 4.5 Seal the adapter and the metal plate to the hood using metal foil duct tape.



5. INSTALL HOOD

- 5.1 Run power cable to installation location. Position the hood in its intended location. Using a pen, mark the position of the screws (smaller part of the keyholes, see illustration below for the 5 keyholes locations). Remove the hood.

- 5.2 Install 4 no. 8 x 1/2" screws, leaving a 1/8" gap (do not install the no. 5 screw yet).



- 5.3 Attach the wire clamp, insert the power cable in the hood. Place the hood under the cabinet, slide it in position and tighten the wire clamp to secure the cable. Make sure the adapter/damper assembly enters the duct opening. Tighten the 4 screws completely, then add the last screw (screw no.5) in the center keyhole. Make sure the damper flap opens freely.

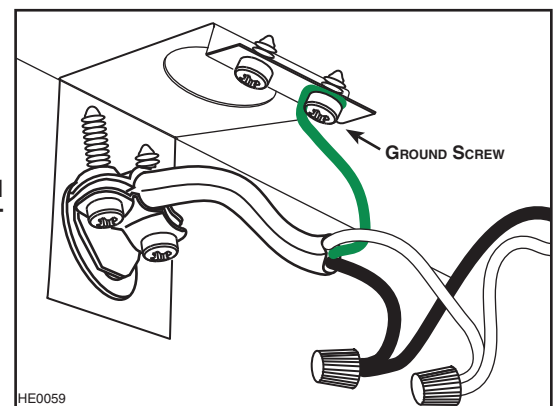
6. CONNECT WIRING

⚠ WARNING

Risk of electric shock. Electrical wiring must be done by qualified personnel in accordance with all applicable codes and standards. Before connecting wires, switch power off at service panel and lock service disconnecting means to prevent power from being switched on accidentally.

Connect cable into wiring box using provided wire connectors.

Connect wires as follows: **BLACK to BLACK, WHITE to WHITE and GREEN or BARE wire under GREEN ground screw. DO NOT FORGET TO CONNECT THE GROUND.**



7. REINSTALL BOTTOM PANEL

CAUTION

Ensure not to pinch the wires when reinstalling the bottom panel.

CAUTION

Remove protective plastic film covering filters before installing them.

- 7.1 Reinstall the bottom panel, using 9 screws saved from steps 3.4 and 3.5, as shown at right.

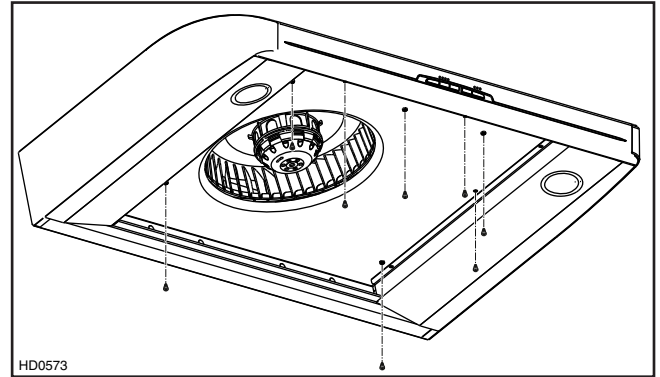
NOTE: The left side panel will hide one screw.

- 7.2 Reconnect LED light modules. Reinstall side panels using 4 screws saved from step 3.2.

CAUTION

Do not reinstall the shipping bracket.

- 7.3 Reinstall filters.



8. LED LIGHTING

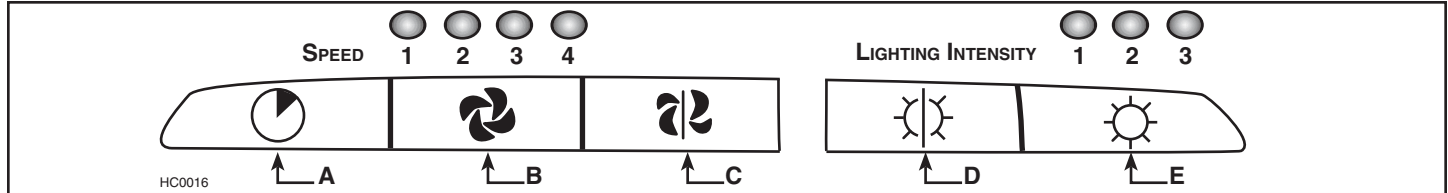
The lighting of this hood is produced by two LED modules (included).

⚠ WARNING

Do not touch lamps during or soon after operation. Burns may occur. Cannot be replaced by any other type of light bulb or LED module.

9. OPERATION

Always turn your blower on before you begin cooking to establish an air flow in the kitchen. Let the blower run for a few minutes to clear the air after you turn off the range.



- A) Blower Delay switch
B) ON blower/Speed control switch
C) OFF blower/Filter maintenance switch

- D) OFF lighting switch
E) LED lighting switch

A. BLOWER DELAY SWITCH:

When a speed is selected, press the delay switch to activate the delay function. The corresponding speed indicator LED will start flashing to indicate this function is activated. The fan will continue to operate for 5 minutes and will stop automatically. To cancel the delay function, press the blower delay switch once again; the blower will then work in normal mode.

NOTE: The blower speed can be increased — or decreased — during delay mode without starting another 5-minute cycle.

B. ON BLOWER/SPEED CONTROL SWITCH:

Press this switch to turn on the blower at the last selected speed. To change the blower speed, press the switch again until the desired speed is obtained.

NOTES: 1) Each time you press the speed control switch, the speed changes by increments of 1 (e.g.: speed 1 to speed 2, to speed 3, and then speed 4). From the fourth speed, the speed goes down to level 1.

2) The last speed used is kept in memory so that when the unit is turned on, it will return to the last setting except the fourth, the next time the blower will be turned on, it will return to speed 3.

HEAT SENTRY™

The hood is equipped with a protective device that activates when excessive heat is detected inside the hood and when it is set on speed 4. This device takes control of the blower and deactivates speed 4 for a 10-minute period and sets it on speed 3. During the Heat Sentry activation, only speed 3 can be used; the speed 4 button will flash while the speed 3 button will light. The hood can also be turned off.

C. OFF BLOWER/FILTER MAINTENANCE SWITCH:

Press this switch to turn off the blower. Pressing this switch also cancels the delay function (if activated).

NOTE: After 25 hours of operation, all blower LEDs will flash during 30 seconds to indicate the filters need to be cleaned in order to maintain efficient hood operation. The LEDs will continue to flash until the function is reset by pressing on this switch for 3 seconds.

D. OFF LIGHTING:

Press this switch to turn off lighting.

E. LED LIGHTING SWITCH:

Press this switch to turn on the LED lights. When turned on they will always be at the highest intensity. The lighting intensity changes by increments of 1 (e.g.: Press once for high intensity, once again to get less, up to three times.) From the lowest intensity, press once to go back to the highest intensity.

RESET CONTROL PROCEDURE:

If ever the control locks up, turn off power at the main electrical panel for 5 seconds. Then, turn on power at the main electrical panel. The control will be reset.

10. USE AND CARE

GREASE FILTERS AND BOTTOM PANEL:

The grease filters and the bottom panel should be cleaned frequently. Use a warm detergent solution. Remove grease filters by pushing them towards the back of hood and rotating downward.

Clean all-metal filters in the dishwasher using a non-phosphate detergent. Discoloration of the filter may occur if using phosphate detergents, or as a result of local water conditions — but this will not affect filter performance. The discoloration is not covered by the warranty.

STAINLESS STEEL CLEANING:

<p>Do:</p> <ul style="list-style-type: none"> Regularly wash with clean cloth or rag soaked with warm water and mild soap or liquid dish detergent. Always clean in the direction of original polish lines. Always rinse well with clear water (2 or 3 times) after cleaning. Wipe dry completely. You may also use a specialized household stainless steel cleaner. 	<p>Don't:</p> <ul style="list-style-type: none"> Use any steel or stainless steel wool or any other scrapers to remove stubborn dirt. Use any harsh or abrasive cleansers. Allow dirt to accumulate. Let plaster dust or any other construction residues reach the hood. During construction or renovation, cover the hood to make sure no dust adheres to stainless steel surface.
-----------------------------------------------------------------------------------------------------------------------------------------------------------------------------------------------------------------------------------------------------------------------------------------------------------------------------------------------------------------------------------------------------------------------	--------------------------------------------------------------------------------------------------------------------------------------------------------------------------------------------------------------------------------------------------------------------------------------------------------------------------------------------------------------------------------------------------------------------------------------

Avoid when choosing a detergent:

- Any cleaners that contain **bleach** will attack stainless steel.
- Any products containing: **chloride, fluoride, iodide, bromide** will deteriorate surfaces rapidly.
- Any **combustible products** used for cleaning such as **acetone, alcohol, ether, benzol**, etc., are highly explosive and should never be used close to a range.

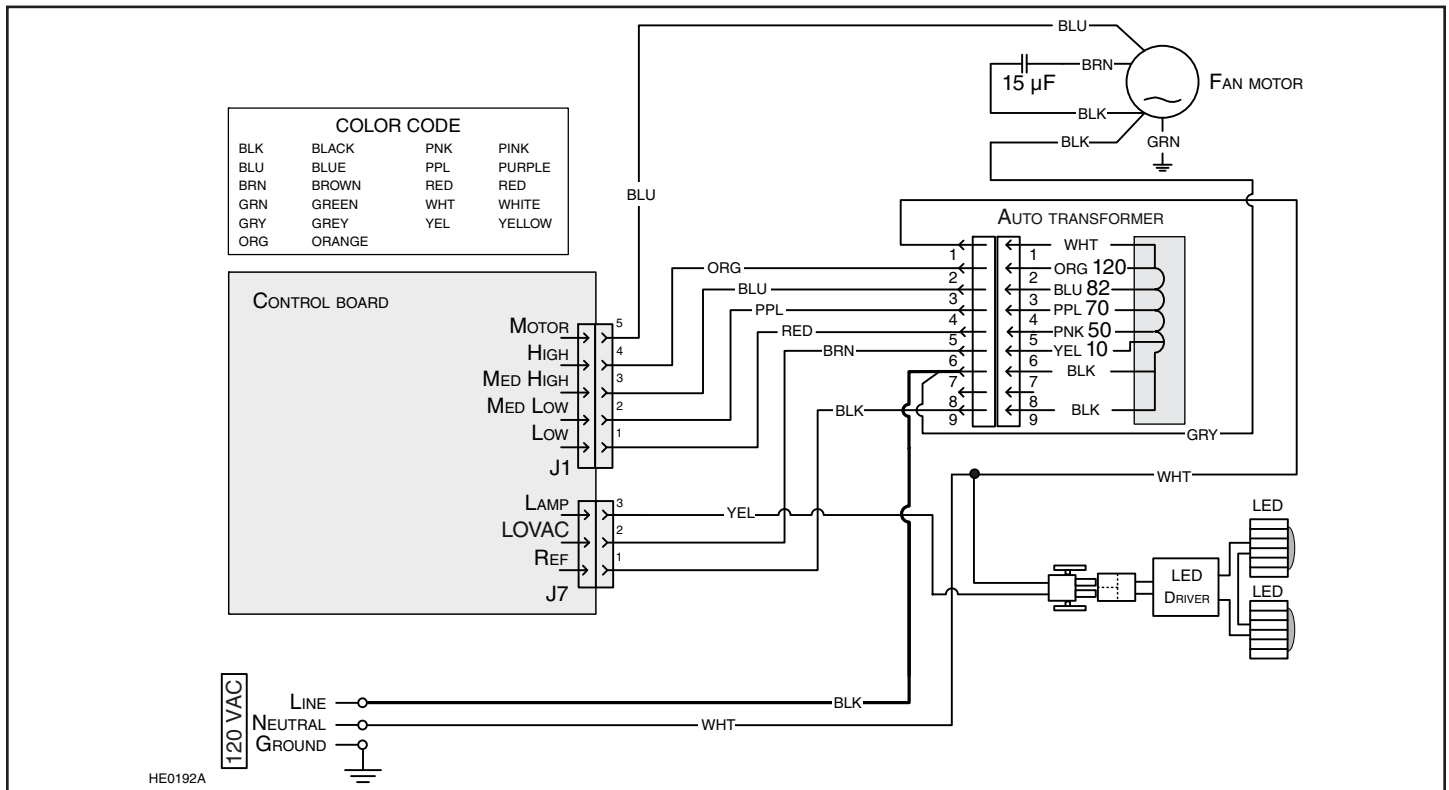
ENAMEL FINISH:

Clean with warm water and mild detergent only. If discoloration occurs, use a good enamel polish such as automotive polish. DO NOT use rough abrasive cleaner or porcelain cleaner.

11. WIRING DIAGRAM

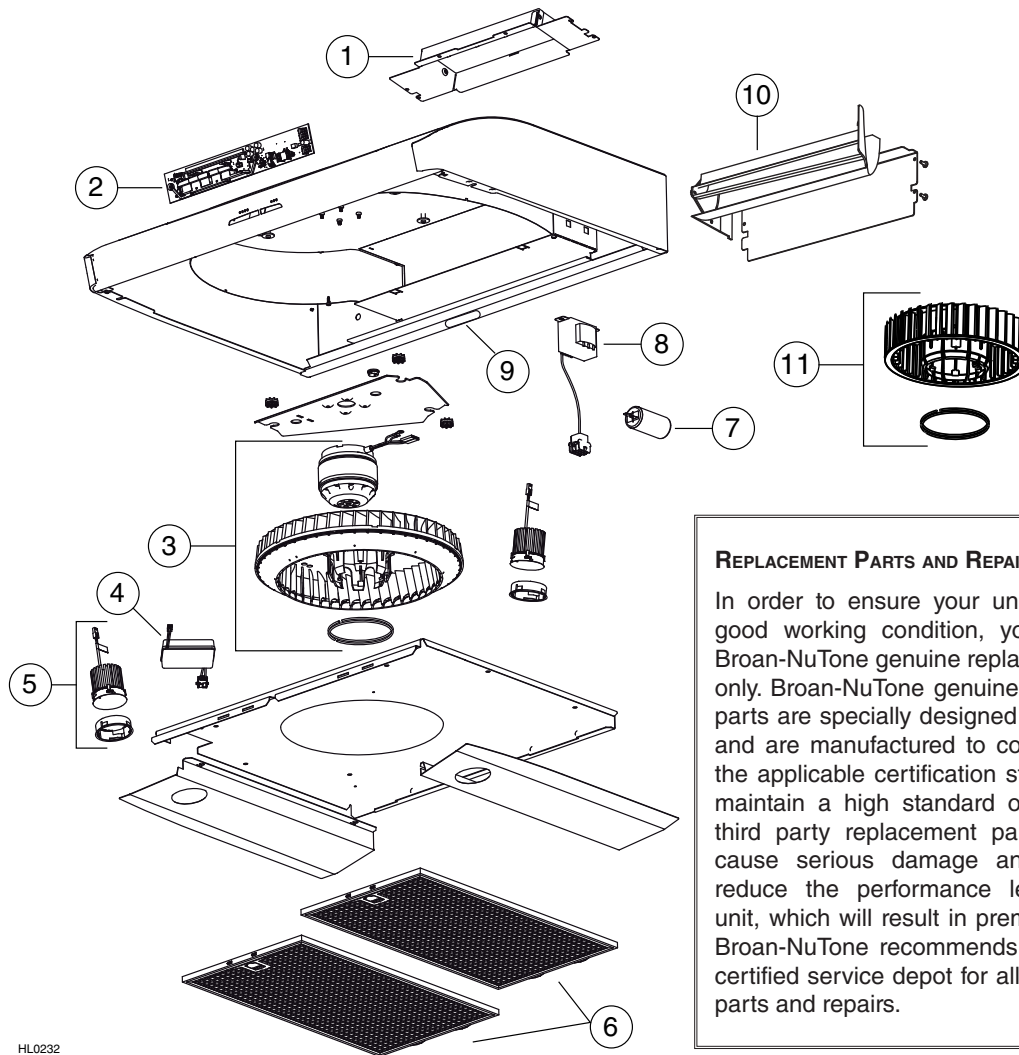
⚠ WARNING

Risk of electrical shock. Electrical wiring must be done by qualified personnel in accordance with all applicable codes and standards. Before connecting wires, switch power off at service panel and lock service disconnecting means to prevent power from being switched on accidentally.



12. SERVICE PARTS

E661 MODEL



HL0232

REPLACEMENT PARTS AND REPAIRS

In order to ensure your unit remains in good working condition, you must use Broan-NuTone genuine replacement parts only. Broan-NuTone genuine replacement parts are specially designed for each unit and are manufactured to comply with all the applicable certification standards and maintain a high standard of safety. Any third party replacement part used may cause serious damage and drastically reduce the performance level of your unit, which will result in premature failing. Broan-NuTone recommends to contact a certified service depot for all replacement parts and repairs.

KEY NO.	PART NO.	DESCRIPTION	WIDTHS		
			30"	36"	LS
			30"	36"	30"
1	T461	ADAPTER/DAMPER	1	1	1
2	21243	ELECTRONIC CONTROL	1	1	1
3	SV01766E	MOTOR (INCLUDING WHEEL)	1	1	1
4	62248	LED DRIVER AND CONNECTION HARNESS	1	1	1
5	62612	LED MODULE (1)	2	2	2
6	SV06265	FILTERS 9.922" x 17.981"	2	-	2
	SV06266	FILTERS 12.922" x 17.981"	-	2	-
7	SV02160	CAPACITOR	1	1	1
8	SV07325	TRANSFORMER	1	1	1
9	SV06750	BROAN ELITE LOGO	1	1	1
10	SV06252	DIVERTER	1	1	1
11	SV01988	SMALL WHEEL + SPRING CLIP	-	-	1
*	21236	INSTALLATION MANUAL	1	1	1
*	SV06751	PARTS BAG: 1 WIRE CLAMP LP 16-AP, 2 WIRE CONNECTORS NO. 74B, 9 NO. 8 x 1/2" SCREWS, 3 NO. 6 x 1/2" SCREWS.	1		

*Not shown