

ESB10 Series

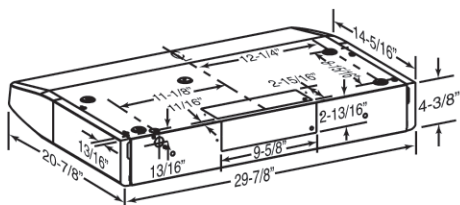


- **280 CFM*** at maximum speed
- **0.9 sone** at normal speed (100 CFM)
- Compact fluorescent lighting**
- Micromesh filters
- 120 V, 1.6 A

*Cubic feet per minute

**2 compact fluorescent bulbs (PLC13 13 watts) included

Stainless	White	Black
ESB1030SS	ESB1030WH	ESB1030BL



Choose an energy efficient range hood



Easy installation

WITH DUCTING:
vertical or horizontal,
3¼" x 10" adapter included.



Available at:

BROAN-NUTONE
CANADA INC.

For more information on this range hood series,
please call us at: 1 866 737-7770

For information on any of our other products,
please call us at: 1 888 882-7626



Mixed Sources
Product group from well-managed
forests, controlled sources and
recycled wood or fiber
Cert no. SCS-COC-00867
www.fsc.org
© 1996 Forest Stewardship Council

87115 11/07



Design, efficiency, quality



Save a little every day

At Broan, we care about the environment. So we are proud to kick off our “going green” initiative with the launch of the ESB10 Series. This Broan Series, which has received the HVI (Home Ventilating Institute) certification, is our first to be ENERGY STAR® certified. The ESB10 Series offers a **total energy savings of 564 kWh**.

Take home one of Broan’s ESB10 Series range hoods and do your part for the environment.

Compact fluorescent lighting

Our range hoods offer the best of both worlds: cooking on a uniformly lit surface and energy savings, thanks to two compact fluorescent bulbs. These 13-watt bulbs last 10,000 hours—five times longer than regular light bulbs.



Silence

Our motors are enveloped in acoustic insulation. This means that the noise level of the ESB10 Series range hood is less than 1 sone at normal speed.

Efficiency and performance

Broan ensures that all its range hoods are HVI certified and perform exceptionally well. HVI (Home Ventilating Institute) certification is your guarantee that the air flow (CFM) and noise level (sone) of our ventilation products were measured during rigorous testing carried out in an independent laboratory.

Cleaning

The blower wheel is easy to remove without tools and is dishwasher-safe.



Full-size filters are also dishwasher-safe.



Warranty

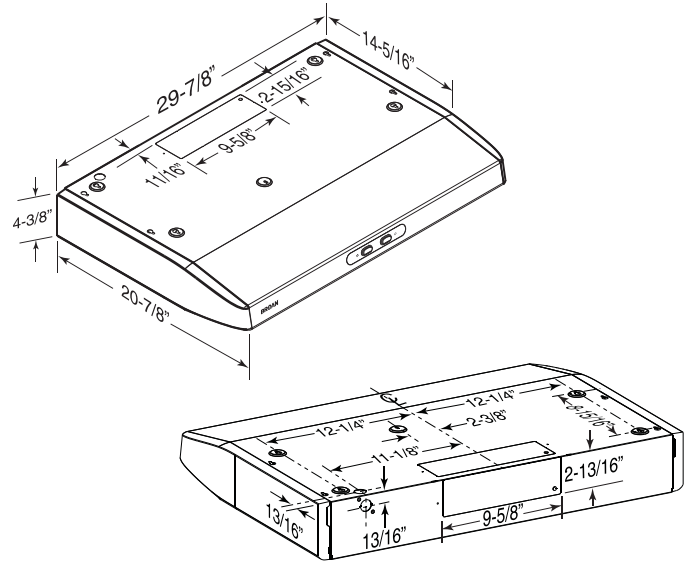


You can cook to your heart's content with the Broan full-year warranty.

SPECIFICATIONS

MODEL	ESB10 SERIES
VOLTS	120 VAC
Hz	60
AMPS	1.2
CFM (LOW SPEED)	130
CFM (HIGH SPEED)	290
SONE (LOW SPEED)	0.8
SONES (HIGH SPEED)	5.5
TOTAL HOOD POWER CONSUMPTION	135 W
DUCTING SIZE	3¼" x 10"
2 FLUORESCENT BULBS	13 W, PLC13, 2 700 K WITH G24Q-1 BASE
WARRANTY	1 YEAR

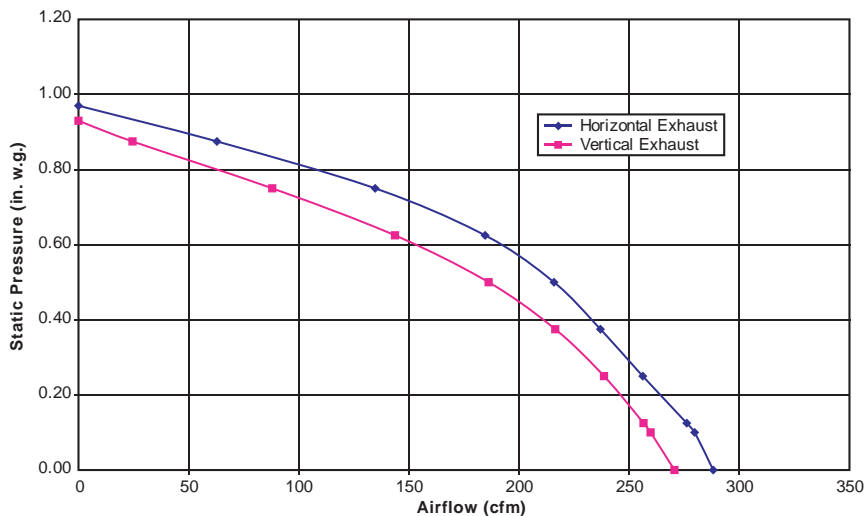
DIMENSIONS



REQUIREMENTS & STANDARDS

- ENERGY STAR qualified
- Complies with the CSA C22.2 no. 113 Standard
- Complies with UL 507 requirements

AIR FLOW PERFORMANCE



HVI-2100 CERTIFIED RATINGS comply with new testing technologies and procedures prescribed by the Home Ventilating Institute, for off-the-shelf products, as they are available to consumers. Product performance is rated at 0.1 in. (2.54 mm) static pressure, based on tests conducted in a state-of-the-art test laboratory. Sones are a measure of humanly-perceived loudness, based on laboratory measurements.

BROAN-NU-TONE CANADA INC., MISSISSAUGA, ONTARIO WWW.BROAN.CA 1-888-882-7626

PROJECT	REMARKS
LOCATION	
MODEL No.	
QTY.	
SUBMITTED BY	
DATE	