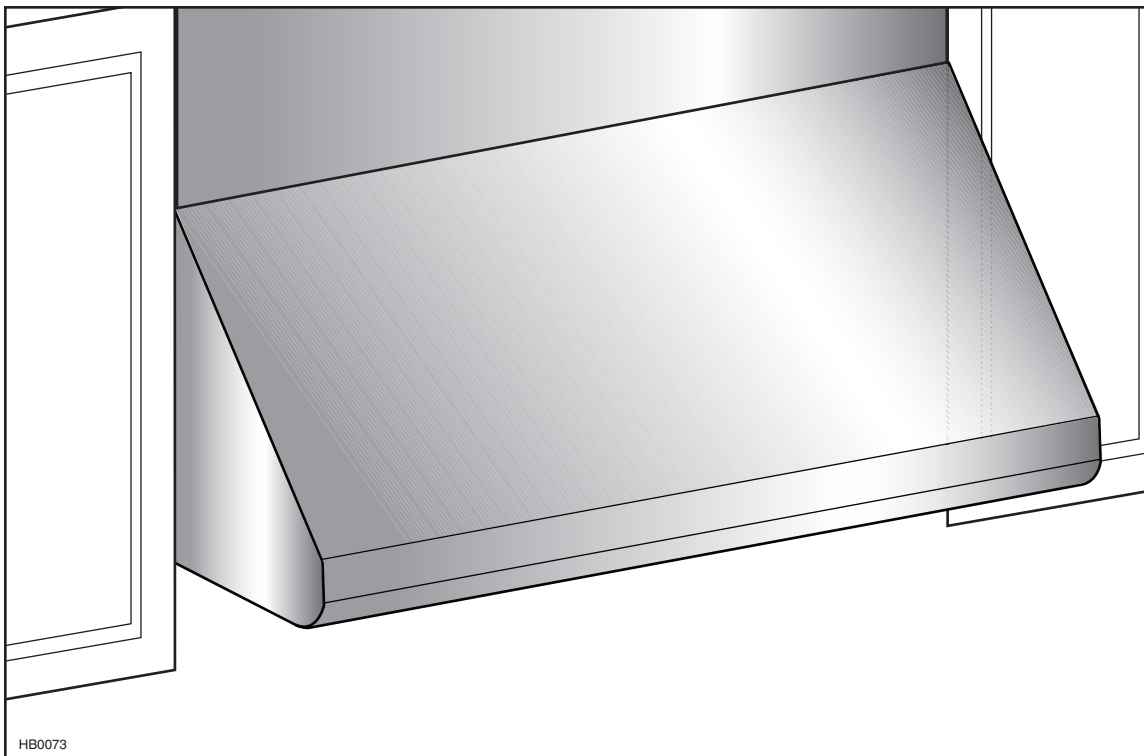


## INSTALLATION INSTRUCTIONS

# BROAN® *Elite*



## E6000LC SERIES

**⚠ INTENDED FOR DOMESTIC COOKING ONLY ⚠**

**READ AND SAVE THESE INSTRUCTIONS**

INSTALLER: LEAVE THIS MANUAL WITH HOMEOWNER.  
HOMEOWNER: USE AND CARE INFORMATION ON PAGES 13 & 14.

Venmar Ventilation ULC; Drummondville, Québec [www.broan.ca](http://www.broan.ca) 877-896-1119

REGISTER YOUR PRODUCT ONLINE AT: [www.broan.ca](http://www.broan.ca)



7 72371 13301 3

21241 rev. 02

## WARNING

---

### TO REDUCE THE RISK OF FIRE, ELECTRIC SHOCK OR INJURY TO PERSONS, OBSERVE THE FOLLOWING:

1. Use this unit only in the manner intended by the manufacturer. If you have questions, contact the manufacturer at the address or telephone number listed in the warranty.
2. Before servicing or cleaning unit, switch power off at service panel and lock service disconnecting means to prevent power from being switched on accidentally. When the service disconnecting means cannot be locked, securely fasten a prominent warning device, such as a tag, to the service panel.
3. Installation work and electrical wiring must be done by qualified personnel in accordance with all applicable codes and standards, including fire-rated construction codes and standards.
4. Sufficient air is needed for proper combustion and exhausting of gases through the flue (chimney) of fuel burning equipment to prevent backdrafting. Follow the heating equipment manufacturer's guidelines and safety standards such as those published by the National Fire Protection Association (NFPA) and the American Society for Heating, Refrigeration and Air Conditioning Engineers (ASHRAE) and the local code authorities.
5. When cutting or drilling into wall or ceiling, do not damage electrical wiring and other hidden utilities.
6. Ducted fans must always be vented outdoors.
7. Do not use this unit with any additional solid-state speed control device.
8. To reduce the risk of fire, use only metal ductwork.
9. This unit must be grounded.
10. When applicable local regulations comprise more restrictive installation and/or certification requirements, the aforementioned requirements prevail on those of this document and the installer agrees to conform to these at his own expenses.

### TO REDUCE THE RISK OF A RANGE TOP GREASE FIRE:

- a) Never leave surface units unattended at high settings. Boilovers cause smoking and greasy spillovers that may ignite. Heat oils slowly on low or medium settings.
- b) Always turn hood ON when cooking at high heat or when flambeing food (i.e.: Crêpes Suzette, Cherries Jubilee, Peppercorn Beef Flambé).
- c) Clean ventilating fans frequently. Grease should not be allowed to accumulate on fan, filters or in exhaust ducts.
- d) Use proper pan size. Always use cookware appropriate for the size of the surface element.

## WARNING

---

### TO REDUCE THE RISK OF INJURY TO PERSONS IN THE EVENT OF A RANGE TOP GREASE FIRE, OBSERVE THE FOLLOWING\*:

1. SMOTHER FLAMES with a close-fitting lid, cookie sheet or metal tray, then turn off the burner. BE CAREFUL TO PREVENT BURNS. IF THE FLAMES DO NOT GO OUT IMMEDIATELY, EVACUATE AND CALL THE FIRE DEPARTMENT.
2. NEVER PICK UP A FLAMING PAN — You may be burned.
3. DO NOT USE WATER, including wet dishcloths or towels — This could cause a violent steam explosion.
4. Use an extinguisher ONLY if:
  - A. You own a Class ABC extinguisher and you know how to operate it.
  - B. The fire is small and contained in the area where it started.
  - C. The fire department has been called.
  - D. You can fight the fire with your back to an exit.

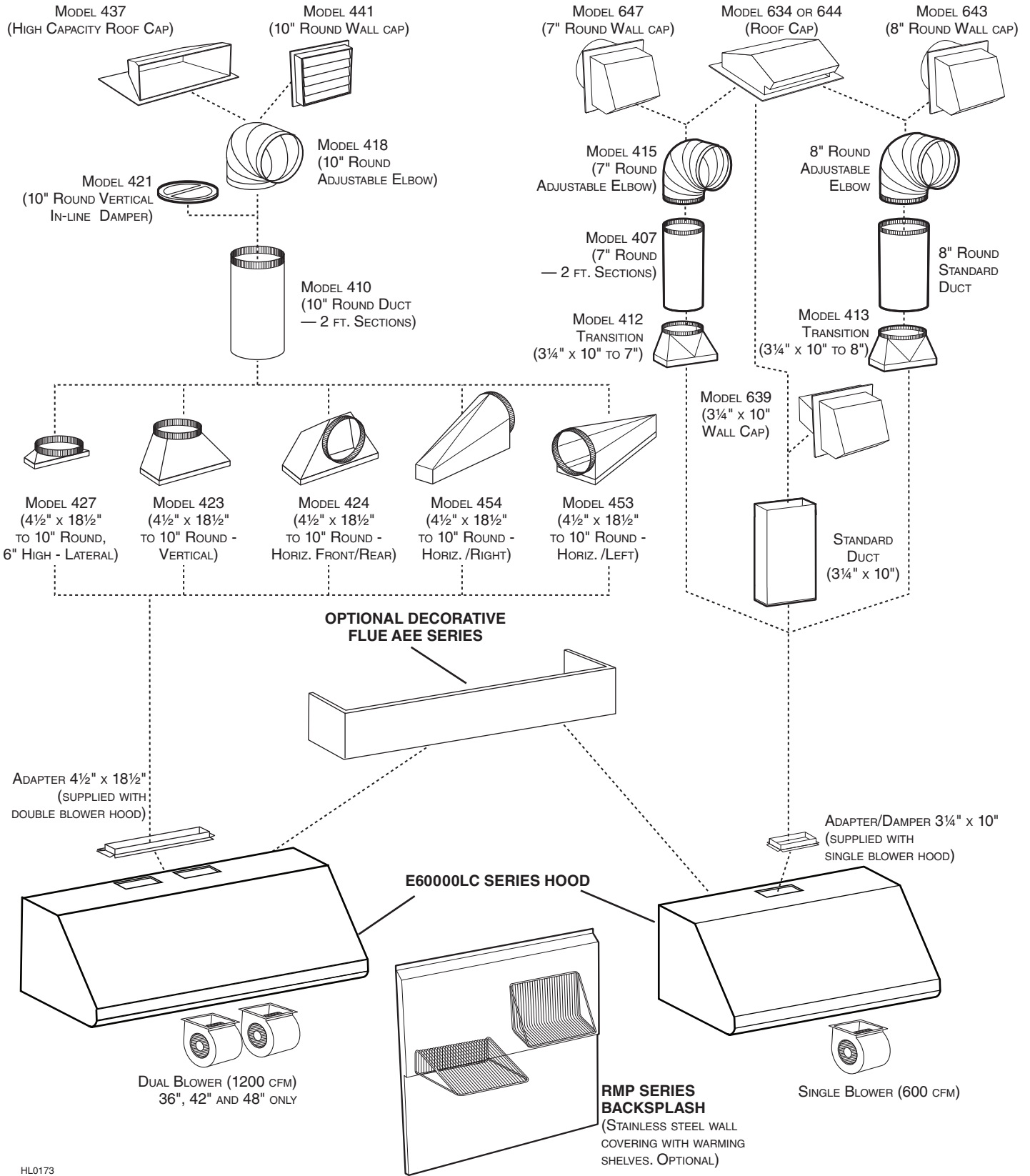
\* Based on "Kitchen Fire Safety Tips" published by NFPA.

## CAUTION

---

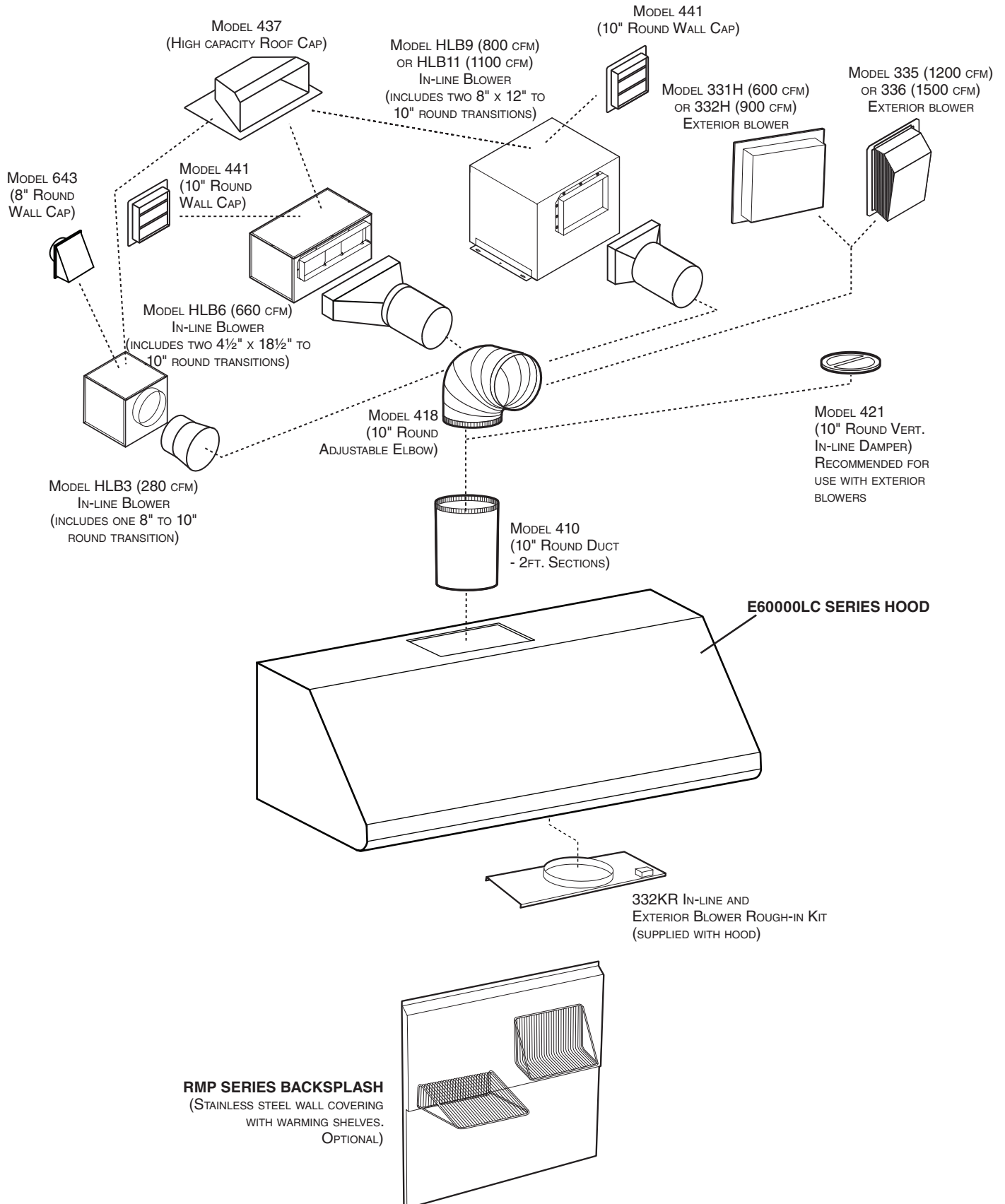
1. For indoor use only.
2. For general ventilating use only. Do not use to exhaust hazardous or explosive materials and vapors.
3. To avoid motor bearing damage and noisy and/or unbalanced impellers, keep drywall spray, construction dust, etc. off power unit.
4. Your hood motor has a thermal overload which will automatically shut off the motor if it overheats. The motor will restart when it cools down. If the motor continues to shut off and restart, have the hood serviced.
5. For best capture of cooking impurities, the bottom of the hood should be at a minimum of 24" and at a maximum of 30" above the cooking surface. **For a gas range**, the bottom of the hood MUST NOT BE LESS than 30" above cooktop.
6. Two installers are recommended because of the large size and weight of this hood.
7. To reduce the risk of fire and to properly exhaust air, be sure to duct air outside — Do not exhaust air into spaces within walls or ceiling or into attics, crawl space or garage.
8. This product is equipped with a thermostat which may start blower automatically. To reduce the risk of injury and to prevent power from being switched on accidentally, switch power off at service panel and lock or tag service panel.
9. Because of the high exhausting capacity of this hood, you should make sure enough air is entering the house to replace exhausted air. Use an appropriate make-up air device or open a window close to or in the kitchen.
10. To reduce the risk of fire and electric shock, the Broan Elite E60E Series hood must be installed with one Broan exterior blower model 331H, 332H, 335 or 336; or one Broan in-line blower model HLB3, HLB6, HLB9 ou HLB11. Other blowers cannot be substituted. (Exterior or in-line blowers sold separately.)
11. Please read specification label on product for further information and requirements.

# - E6000LC SERIES RANGE HOOD SYSTEM - INTERNAL BLOWERS



HL0173

# - E6000LC SERIES RANGE HOOD SYSTEM - IN-LINE AND EXTERIOR BLOWERS



HL0100

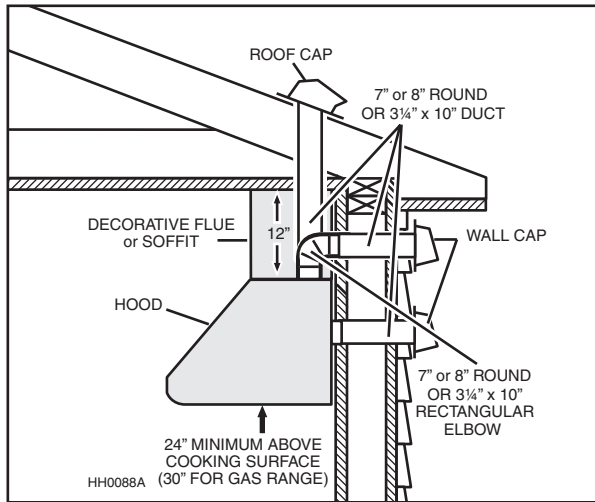
# 1. SELECT BLOWER OPTION

The Broan Elite E60000LC Series range hood includes many configurations: hoods with single or double internal blowers (included with the hood), or hoods using external blowers. For this last category, the Broan Elite E60000LC Series must be installed with in-line blower models HLB3, HLB6, HLB9 or HLB11, or exterior blower models 331H, 332H, 335 or 336 only. Other blowers cannot be substituted (blowers sold separately).

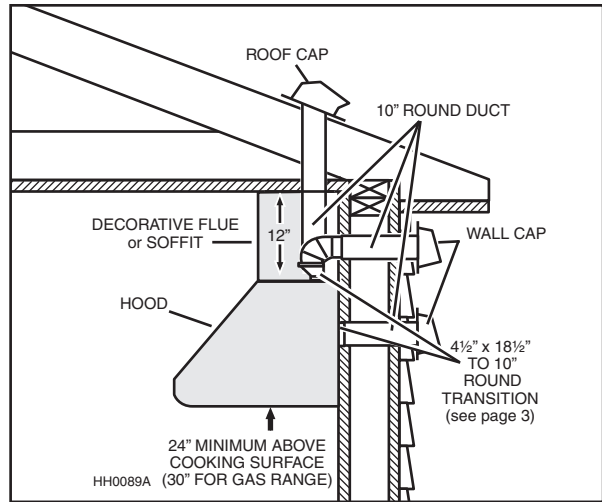
Plan where and how the ductwork will be installed.

**If installing an in-line blower, refer to instructions packed with in-line blower and follow steps 1, 2, 3, 4, 6, 10 and up of this manual.**

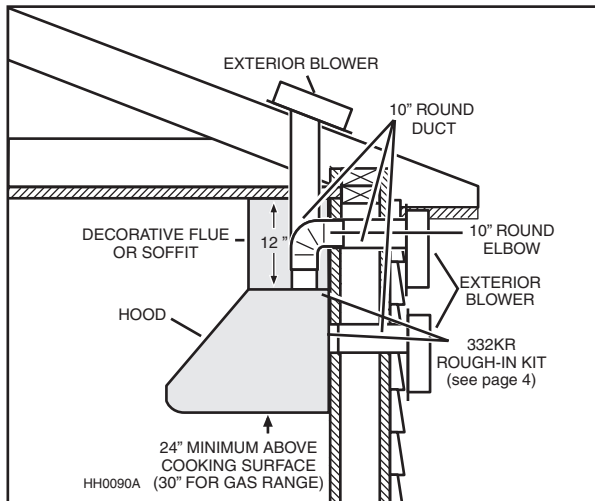
Install proper-sized ductwork, elbows and roof or wall cap for the type of blower you are installing. If using 7", 8" or 10" round ducts, use a transition (internal blowers only). Use 2" metal foil duct tape to seal duct joints.



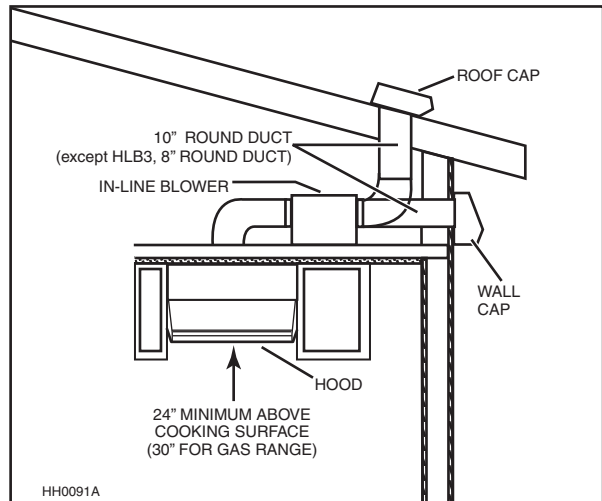
**ONE INTERNAL BLOWER  
TYPICAL DUCTWORK**



**TWO INTERNAL BLOWERS  
TYPICAL DUCTWORK**



**MODEL 331H, 332H, 335 OR 336  
EXTERIOR BLOWER TYPICAL DUCTWORK**



**MODEL HLB3, HLB6, HLB9 OR HLB11  
IN-LINE BLOWER TYPICAL DUCTWORK**

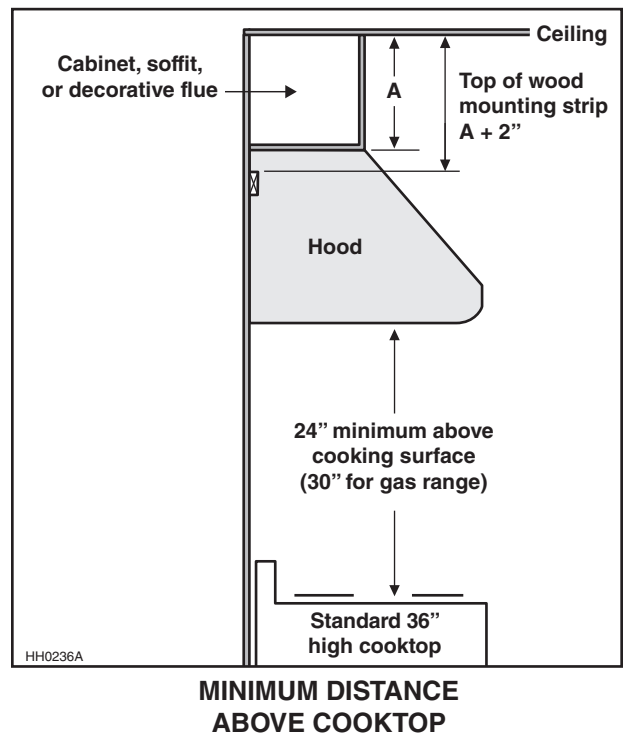
## 2. MEASURE INSTALLATION

Dimensions for the most common installation are illustrated at right.

**The minimum hood distance above cooktop is 24" for electric ranges, and 30" for gas ranges.**

**A maximum of 30" above cooktop is highly recommended for best capture of cooking impurities.**

Distances over 30" are at the installer and users discretion.



## 3. PREPARE THE INSTALLATION

### **⚠ WARNING**

**When performing installation, servicing or cleaning the unit, it is recommended to wear safety glasses and gloves.**

NOTE: Before proceeding to the installation, check the contents of the box. If items are missing or damaged, contact the manufacturer.

Remove the installation kit from inside the hood.

Make sure that the following items are included:

- Wood strip (attached to back of hood)
- Accessories including:
  - Baffle filters with handles: 30" and 36" hoods come with 3 baffle filters; 42" and 48" hoods come with 4 baffle filters
  - 3¼" x 10" adapter/damper (included with internal single blower hood, see page 8 to locate the adapter)
  - 4½" x 18½" adapter (included with internal double blower hood, see page 8 to locate the adapter)
  - In-line and exterior blower rough-in plate model 332KR (mounted inside all external blower hoods)
  - Bag of parts including:
    - 4 flat head screws no. 10-2", 8 screws no. 8 x 3/4", 2 wire connectors, 3 wall anchors,
    - 3 washers 13/64" ID x 3/4" OD, 1 wire clamp, 8 mechanical screws no. 8-32 x 1/4", 4 no. 8 x 3/8" screws

Parts sold separately:

- In-line blower assembly HLB3, HLB6, HLB9 or HLB11 (all include transition)
- Exterior blower assembly 331H, 332H, 335 or 336
- RMP Series Backsplash (optional)
- AEE Series Decorative flue, to be installed over the hood (optional)
- Transitions, duct, elbows, dampers, wall and roof caps.

Refer to pages 3 and 4 for a complete list of venting options and model numbers.

### 3. PREPARE THE INSTALLATION (CONT'D)

Cut-out the openings for duct (A) and power cable (B), in cabinet or wall, according to the direction of discharge chosen.

See figures below.

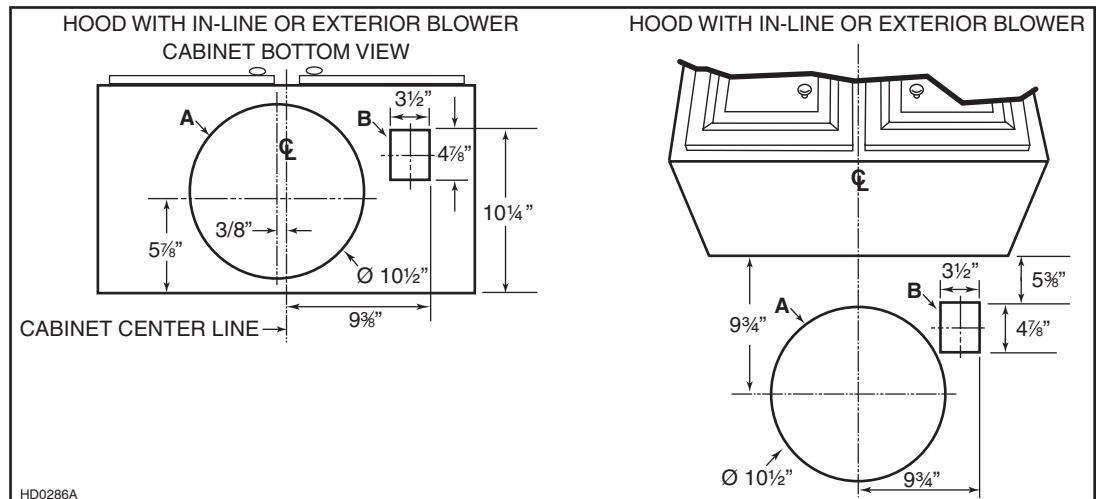
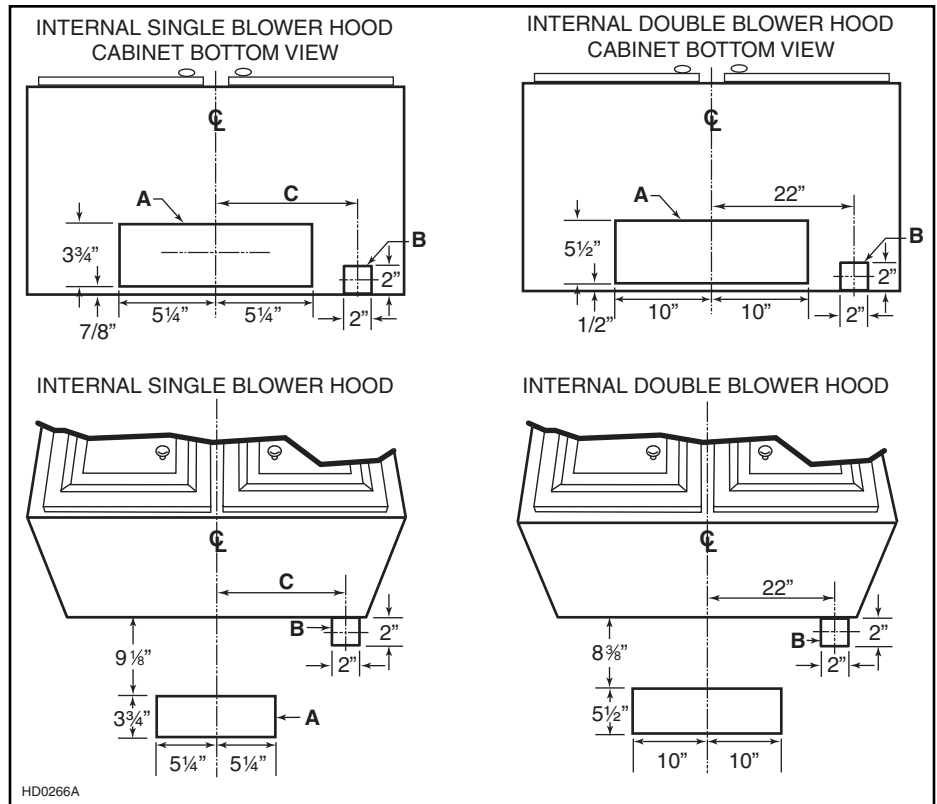
NOTE: For all internal blower hoods, the cut-out opening for house wiring can be made in cabinet bottom OR wall, no matter the discharge chosen (vertical or horizontal).

#### VERTICAL DISCHARGE

HOOD WIDTHS	DIMENSION C
30"	13"
36"	16"
42"	19"
48"	22"

#### HORIZONTAL DISCHARGE

HOOD WIDTHS	DIMENSION C
30"	13"
36"	16"
42"	19"
48"	22"



### 4. INSTALL BACKSPLASH (OPTIONAL)

#### (Optional) RMP Series

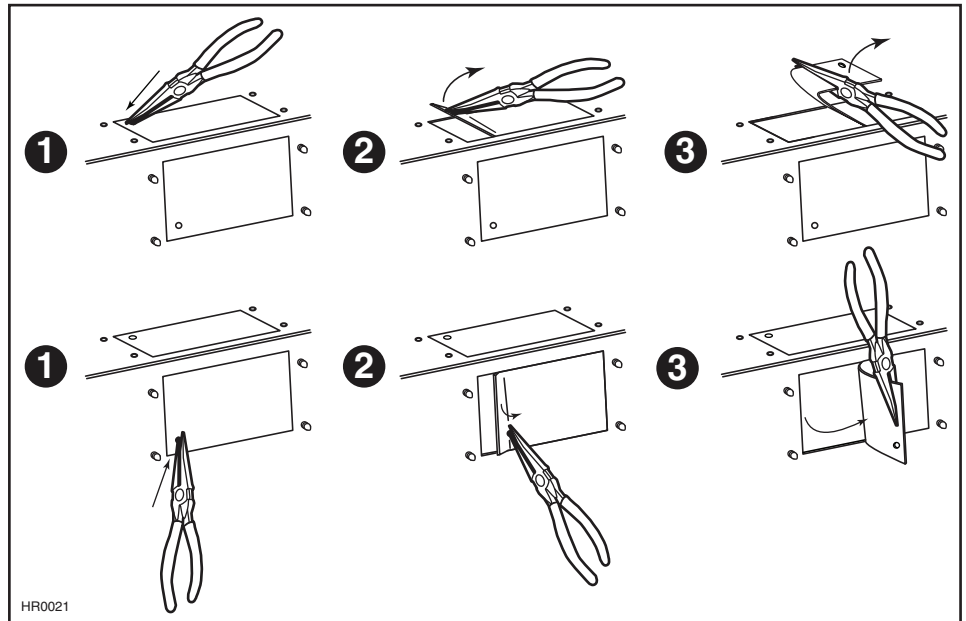
Backsplash must be installed before the hood shell because the hood shell covers the backsplash top mounting screws. In order to be able to install the backsplash, make sure you have at least 18" clearance between bottom of hood and range control panel or cooktop. (See instructions packed with backsplash.)



## 5. CHOOSE THE OPENING(S) (INTERNAL BLOWER(S) HOOD ONLY)

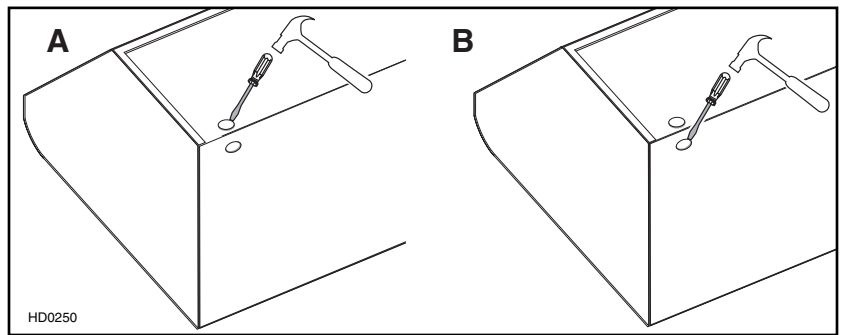
Remove the knockout(s) for the chosen opening(s) (horizontal at the back of the hood or vertical on top). See illustrations below.

VERTICAL DISCHARGE



HORIZONTAL DISCHARGE

Punch out the appropriate electrical knockout hole on top (A) or back (B) of the hood. Install the wire clamp (included in parts bag).



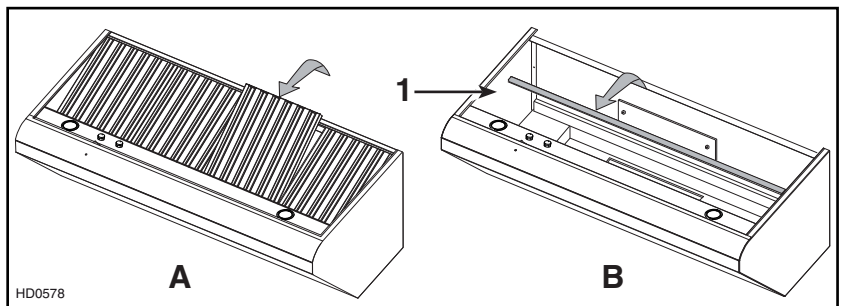
## 6. REMOVE THE FILTERS AND THE GREASE DRIP RAIL

**NOTE:** For 36" wide double blower hood, the adapter is taped on top of the filters. Remove adapter and set aside before removing filters.

- A. Remove tape on filters.  
Remove filters from hood and set aside.

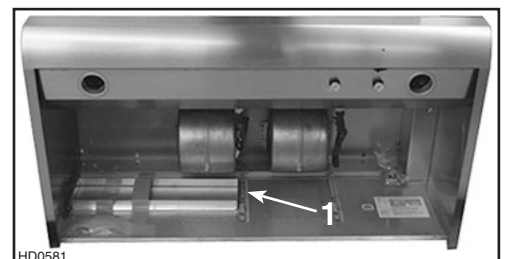
**NOTE:** It is recommended to start with the middle one(s).

- B. Lift out grease drip rail (1) and set aside.



## 7. REMOVE THE ADAPTER (INTERNAL BLOWER HOOD ONLY)

For all hoods, except the 36" wide double blower hood, remove the adapter (1), or adapter/damper, taped inside the hood.

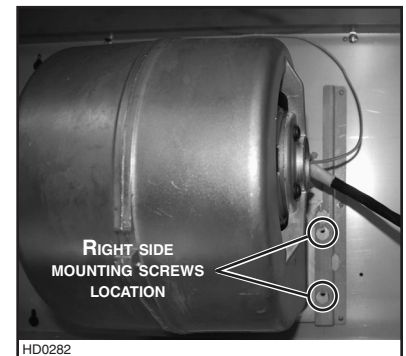
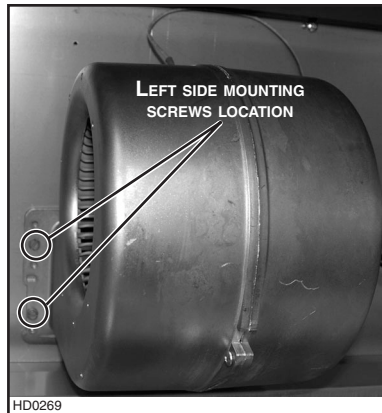




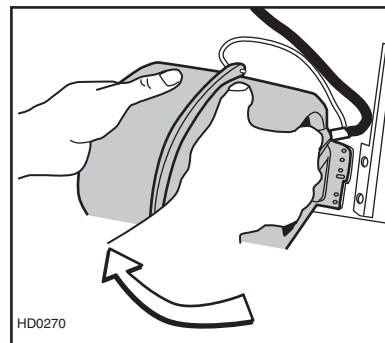
## 8. HORIZONTAL DISCHARGE INSTALLATION (INTERNAL BLOWER(S) HOOD ONLY)

All internal blower hoods are factory shipped with the blower(s) mounted for a vertical discharge configuration. For a horizontal discharge configuration, disassemble the blower(s) from the inner top of the hood and mount it (them) to the inner back panel of the hood. The procedure below applies for one or two blowers.

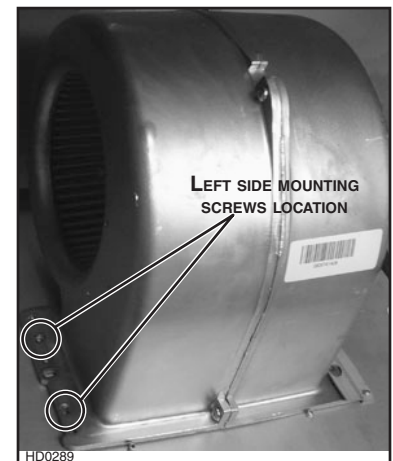
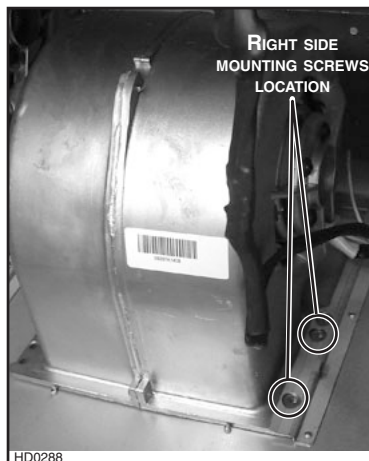
Using a 5/16" socket, remove all blower mounting screws from the inner top of the hood. Keep the screws for further use.



Slide the blower to disengage its flange from the retaining bracket.

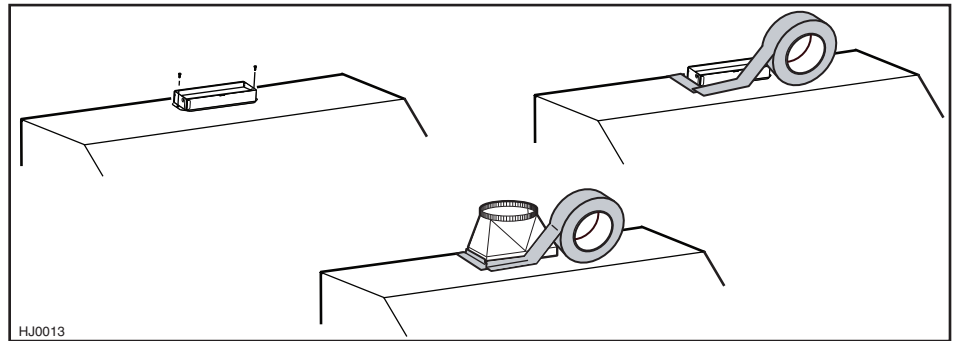


Rotate the blower and engage its flange in the back wall retaining bracket. Using a 5/16" socket and the screws previously removed, secure the blower to the hood.



## 9. INSTALL THE ADAPTER AND THE TRANSITION (IF NEED BE) (INTERNAL BLOWER(S) HOOD ONLY)

Using standard 3/8" screws provided, secure the adapter to the top (or back) of the hood (2 screws for a 3¼" x 10" adapter/damper and 4 screws for a 4½" x 18½" adapter). Seal the adapter to the hood using metal foil duct tape. For round ducting, install an appropriate sized transition and seal the joints with metal foil duct tape.



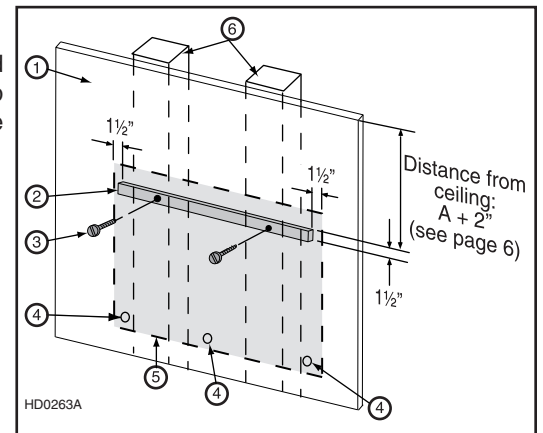
HJ0013

## 10. INSTALL WOOD MOUNTING STRIP

Measure and mark a level line on wall above cooktop location for the wood mounting strip (see illustration at right and under step 2). Remove wood mounting strip from back of hood. Use no. 10 - 2" flat head screws to secure the mounting strip to the drywall. Make sure to hit the wall studs.

### CAUTION

**Due to the weight of this hood, ensure that the wood strip is attached to all of the available studs (2 studs minimum for a 30" width hood, more as hood width increases); not into the drywall alone.**



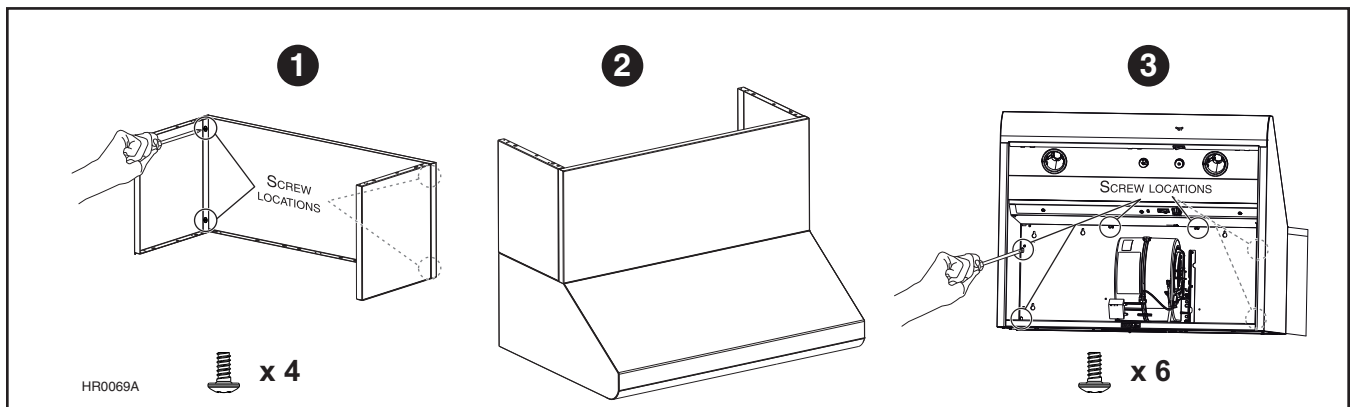
HD0263A

1. Drywall  
2. Wood mounting strip  
3. Flat head screw

4. Wall anchor location  
5. Back of hood outline  
6. Wall studs

## 11. INSTALL AEE OPTIONAL DECORATIVE FLUE COVER

1. Assemble both side panels to the front panel using 4 no. 8 x 3/8" included.
2. Place the decorative flue cover on top on the range hood.
3. Secure the decorative flue cover to the top of the range hood using 6 no. 8 x 3/8" included.



HR0069A

x 4

x 6

## 12. INSTALL THE HOOD

### CAUTION

Hold the hood until it is completely secured to the wood mounting strip.

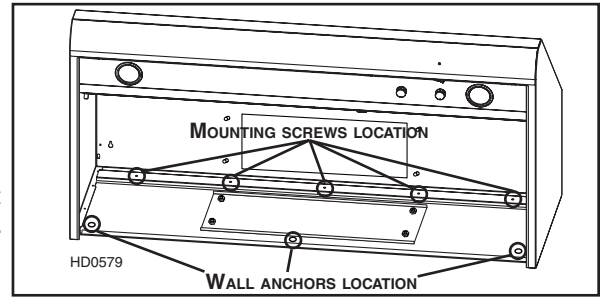
### INTERNAL BLOWER(S) ONLY

Run power cable to installation location. Remove the electrical compartment cover. Insert the cable in the hood and tighten the wire clamp to secure the cable.

### ALL INSTALLATIONS

Rest the back cavity of the hood against the wood mounting strip.

Secure the hood to wood mounting strip with 4 screws no. 8 x 3/4" (for 30" and 36" width hoods) or 6 screws (for 42" and 48" width hoods) provided at locations shown. Drill three 3/16" sized holes into the drywall for wall anchors through the existing holes in the hood back in the locations shown. Then, install the three wall anchors with the remaining no. 8 x 3/4" screws and the 3 washers provided.

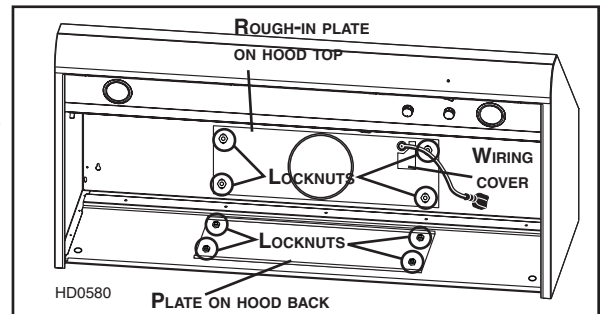


## 13. ROUGH-IN PLATE LOCATION (EXTERNAL BLOWERS HOODS ONLY)

For ducting through hood top, existing plate remains in place inside the hood back.

For ducting through hood back, remove existing plate from inside hood back and remove the rough-in plate from the hood top. Attach the plate to inside hood top to cover hole. Secure to threaded studs with same 4 nuts. Install the rough-in plate to hood back so that the wiring box is located on the right side when facing the hood.

Connect ducting to rough-in plate when installing the rough-in plate. Use metal foil duct tape to make all joints secure and air-tight.



## 14. CONNECT THE WIRING (ALL BLOWERS)

### ⚠ WARNING

Risk of electric shock. Electrical wiring must be done by qualified personnel in accordance with all applicable codes and standards. Before connecting wires, switch power off at service panel and lock service disconnecting means to prevent power to be switched on accidentally.

Remove wiring cover from rough-in plate or electrical compartment and set aside.

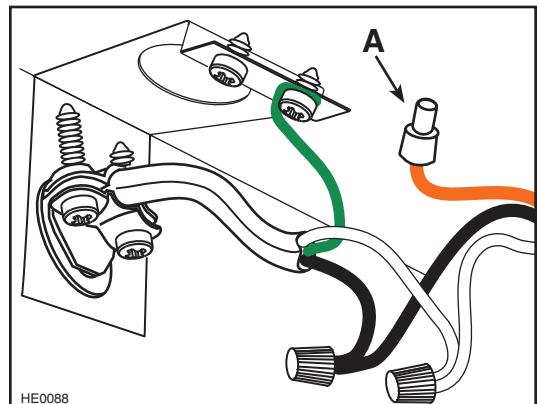
**INTERNAL BLOWERS:** Connect cable into wiring box using wire connectors. Connect BLACK to BLACK, WHITE to WHITE and GREEN or bare wire under GREEN ground screw.

### CAUTION

The ORANGE wire (A) is for make-up air device connection only. If there is no make-up air device, never remove the cap on the ORANGE wire end.

Reinstall wiring cover.

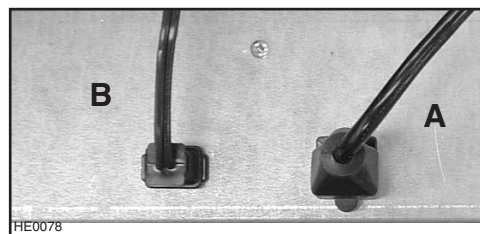
**IN-LINE OR EXTERIOR BLOWERS:** See instructions included with blower.



## 15. INSTALL THE BLOWER (EXTERIOR OR IN-LINE BLOWER)

Refer to instructions included with blower.

Plug the 3-prong plug cord from rough-in plate to the 3-prong male connector inside the hood (A) and the 2-prong male connector cord from rough-in plate to the 2-prong plug inside the hood (B).

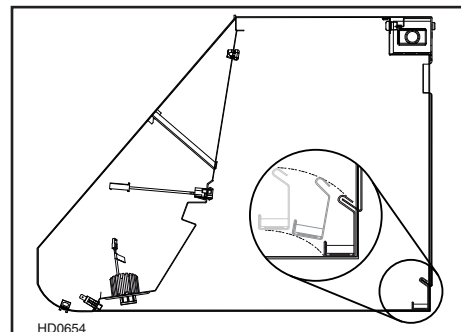


### **⚠ WARNING**

**Do not plug both cords together.**

## 16. REINSTALL GREASE DRIP RAIL AND BAFFLE FILTERS

Reinstall grease drip rail. The illustration at right shows how to reinsert the grease drip rail into the range hood.

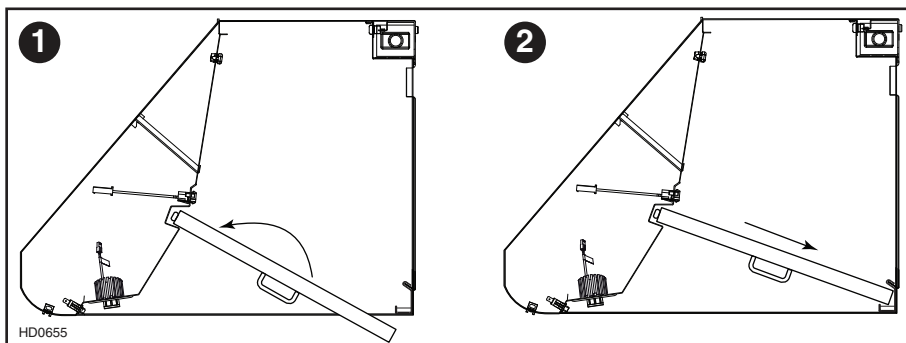


### **CAUTION**

**Remove protective plastic film covering filters before installing them.**

It is recommended to install side filters first and finish with center one(s).

1. Insert one end of the filter into the upper channel of the hood.
2. Raise the other end toward the inside of hood and insert in the grease drip rail of the hood.



## 17. LED LIGHTING

The lighting of this hood is produced by two LED modules (included).

### **⚠ WARNING**

**Do not touch lamps during or soon after operation. Burns may occur. Cannot be replaced by any other type of light bulb or LED module.**

## 18. USE AND CARE

### Baffle Filters

The baffle filters should be cleaned frequently. Use a warm detergent solution. Wash often if your cooking style generates a lot of grease—like frying food or wok cooking.

Remove baffle filters by pushing them towards the back of hood and rotating filters downward. Baffle filters are dishwasher safe. Allow filters to dry completely before reinstalling them in the hood.

You may clean all-metal filters in the dishwasher using a non-phosphate detergent. Discoloration of the filter may occur if using phosphate detergent or as a result of local water conditions—but this will not affect filter performance. This discoloration is not covered by the warranty.

### Grease Drip Rail

The grease drip rail should be cleaned frequently. Lift it out from the hood and use a warm detergent solution. As for the baffle filters, wash more often if your cooking style generates a lot of grease—like frying foods or wok cooking. Allow grease drip rail to dry completely before reinstalling it in the hood.

### Hood Cleaning

Stainless steel cleaning:

Do:	Don't:
<ul style="list-style-type: none"><li>Regularly wash with clean cloth or rag soaked with warm water and mild soap or liquid dish detergent.</li><li>Always clean in the direction of original polish lines.</li><li>Always rinse well with clear water (2 or 3 times) after cleaning. Wipe dry completely.</li><li>You may also use a specialized household stainless steel cleaner.</li></ul>	<ul style="list-style-type: none"><li>Use any steel or stainless steel wool or any other scrapers to remove stubborn dirt.</li><li>Use any harsh or abrasive cleansers.</li><li>Allow dirt to accumulate.</li><li>Let plaster dust or any other construction residues reach the hood. During construction/renovation, cover the hood to make sure no dust sticks to the stainless steel surfaces.</li></ul>

### Avoid when choosing a detergent:

- Any cleaners that contain **bleach** will attack stainless steel.
- Any products containing **chloride, fluoride, iodide, bromide or phosphate** will deteriorate surfaces rapidly.
- Any combustible products used for cleaning such as **acetone, alcohol, ether, benzol**, etc., are highly explosive and should never be used close to a range.

## 19. OPERATION

Always turn your hood on before you begin cooking to establish an air flow in the kitchen. Let the blower run for a few minutes to clear the air after you turn off the range. This will help keep the whole kitchen cleaner and brighter.

### HEAT SENTRY™

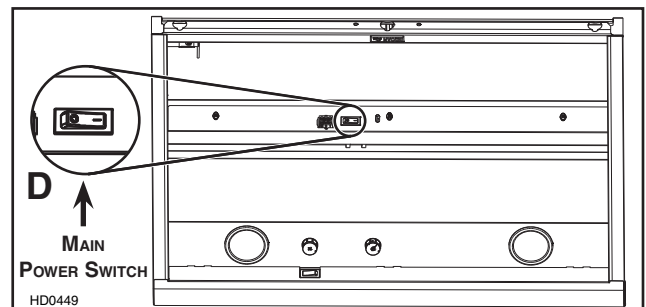
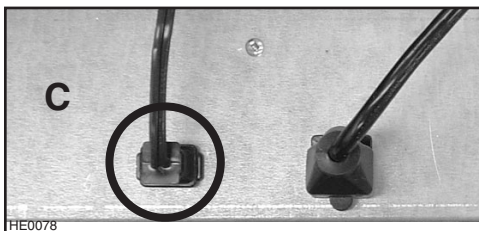
This hood is equipped with a Heat Sentry™ thermostat. This thermostat is a device that will turn the blower on if it senses excessive heat above the cooking surface.

- If blower is OFF - it turns blower ON to the last selected speed.
- If blower is already ON speed will remain the same.

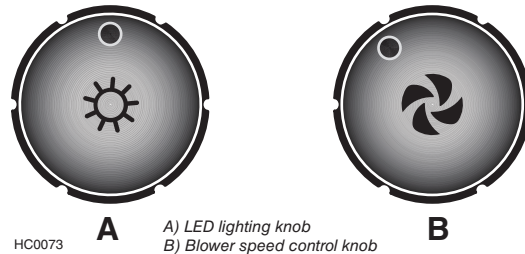
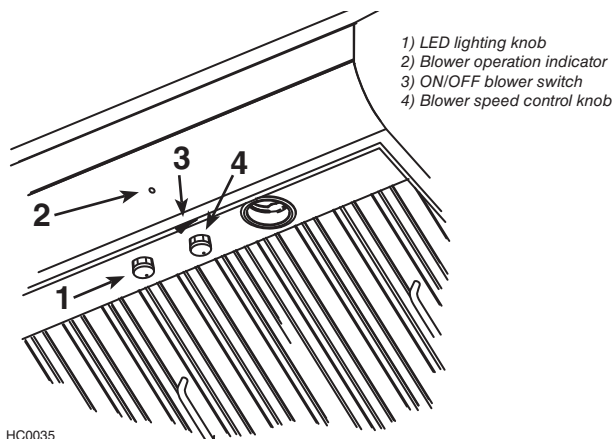
### ⚠ WARNING

**The HEAT SENTRY can start the blower during a range top fire or other excessive heat situations even if the hood is turned off. In this case, it is impossible to turn the blower OFF using control panel buttons. To turn blower OFF: For exterior or in-line blower hoods, unplug the 2-prong connector cord from inside the hood (C). For internal blower hoods, set the main power switch (D) (located behind the baffle filters) in OFF position (if it is possible to do so safely in both cases). If not, do it from the main electrical panel.**

When the temperature level drops to normal, the blower will return to its original setting.



## 19. OPERATION (CONT'D)



### COOKTOP LIGHTING

The LED lighting of this hood is controlled by a rotary dimmer switch (1). The lighting turns on at high intensity, and decreases as the knob is turned clockwise.

NOTE: When the light switch is turned on, there is a short delay before the lighting turns on; this short delay is normal.

If you experience lighting intensity issues after using the main power switch, cutting the power at service panel, or following a power outage, turn the lighting to off by rotating the rotary dimmer switch counterclockwise until you hear a click, and try again.

### BLOWER

The blower is operated using two controls.

Use the on/off rocker switch (3) to start and stop the blower. When turned on, the blower indicator (2) turns on and the blower operates at the previous setting of the speed control (4).

Turn the speed control knob clockwise to increase blower speed – counterclockwise to decrease speed.

## 20. WARRANTY

### ONE YEAR LIMITED WARRANTY FOR BROAN ELITE PRODUCTS

Venmar Ventilation ULC warrants to the original consumer purchaser of Broan Elite products that such products will be free from defects in materials or workmanship for a period of one year from the date of original purchase. LED modules and LED driver are also covered by this warranty for a period of one (1) year. THERE ARE NO OTHER WARRANTIES, EXPRESS OR IMPLIED, INCLUDING, BUT NOT LIMITED TO, IMPLIED WARRANTIES OR MERCHANTABILITY OR FITNESS FOR A PARTICULAR PURPOSE.

During this one-year period, Venmar Ventilation ULC will, at its option, repair or replace, without charge, any product or part which is found to be defective under normal use and service.

THIS WARRANTY DOES NOT EXTEND TO FLUORESCENT LAMP STARTERS, TUBES, HALOGEN AND INCANDESCENT BULBS, FUSE, FILTERS, DUCTS, ROOF CAPS, WALL CAPS AND OTHER ACCESSORIES FOR DUCTING. This warranty does not cover (a) normal maintenance and service or (b) any products or parts which have been subject to misuse, negligence, accident, improper maintenance or repair (other than by Venmar Ventilation ULC), faulty installation or installation contrary to recommended installation instructions.

Warranty service is to be completed by an authorized Service Center designated by Venmar Ventilation ULC. Where applicable, in-home service will be made available only in areas where a contracted service provider offers service. If in-home service is not available, the product will be repaired or replaced, at Venmar Ventilation ULC's discretion, by the nearest authorized service provider. The unit removal and reinstallation works are under the customer responsibility, and Venmar Ventilation ULC cannot be charged for them.

The duration of any implied warranty is limited to the one-year period as specified for the express warranty. Some provinces do not allow limitation on how long an implied warranty lasts, so the above limitation may not apply to you.

**VENMAR VENTILATION ULC'S OBLIGATION TO REPAIR OR REPLACE, AT VENMAR VENTILATION ULC'S OPTION, SHALL BE THE PURCHASER'S SOLE AND EXCLUSIVE REMEDY UNDER THIS WARRANTY. VENMAR VENTILATION ULC SHALL NOT BE LIABLE FOR INCIDENTAL, CONSEQUENTIAL OR SPECIAL DAMAGES ARISING OUT OF OR IN CONNECTION WITH PRODUCT USE OR PERFORMANCE. Some provinces do not allow the exclusion or limitation of incidental or consequential damages, so the above limitation or exclusion may not apply to you.**

This warranty gives you specific legal rights, and you may also have other rights, which vary from one province to another. This warranty supersedes all prior warranties.

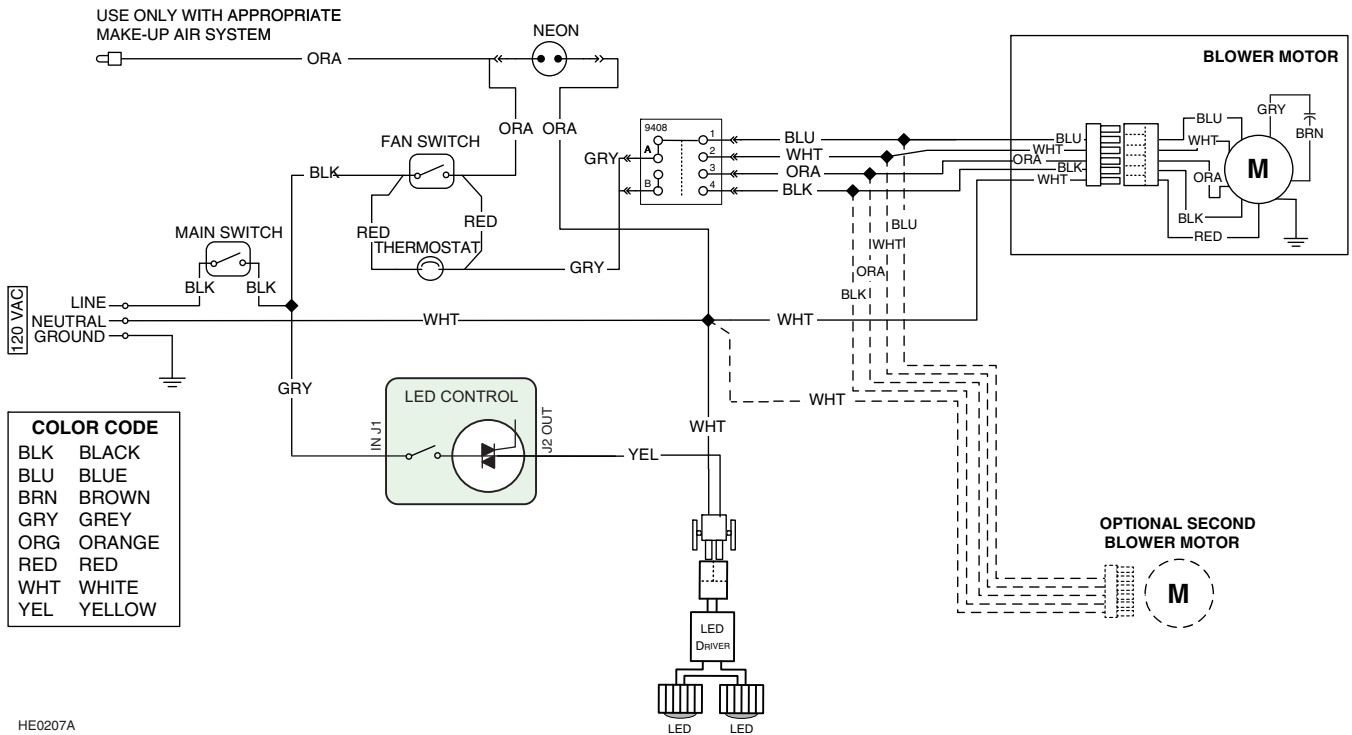
To qualify for warranty service, you must (a) notify Venmar Ventilation ULC at the address or telephone number stated below, (b) give the model number and part identification and (c) describe the nature of any defect in the product or part. At the time of requesting warranty service, you must present evidence of the original purchase date.

**Venmar Ventilation ULC**, 550 Lemire blvd. Drummondville, QC J2C 7W9 www.broan.ca 1-877-896-1119

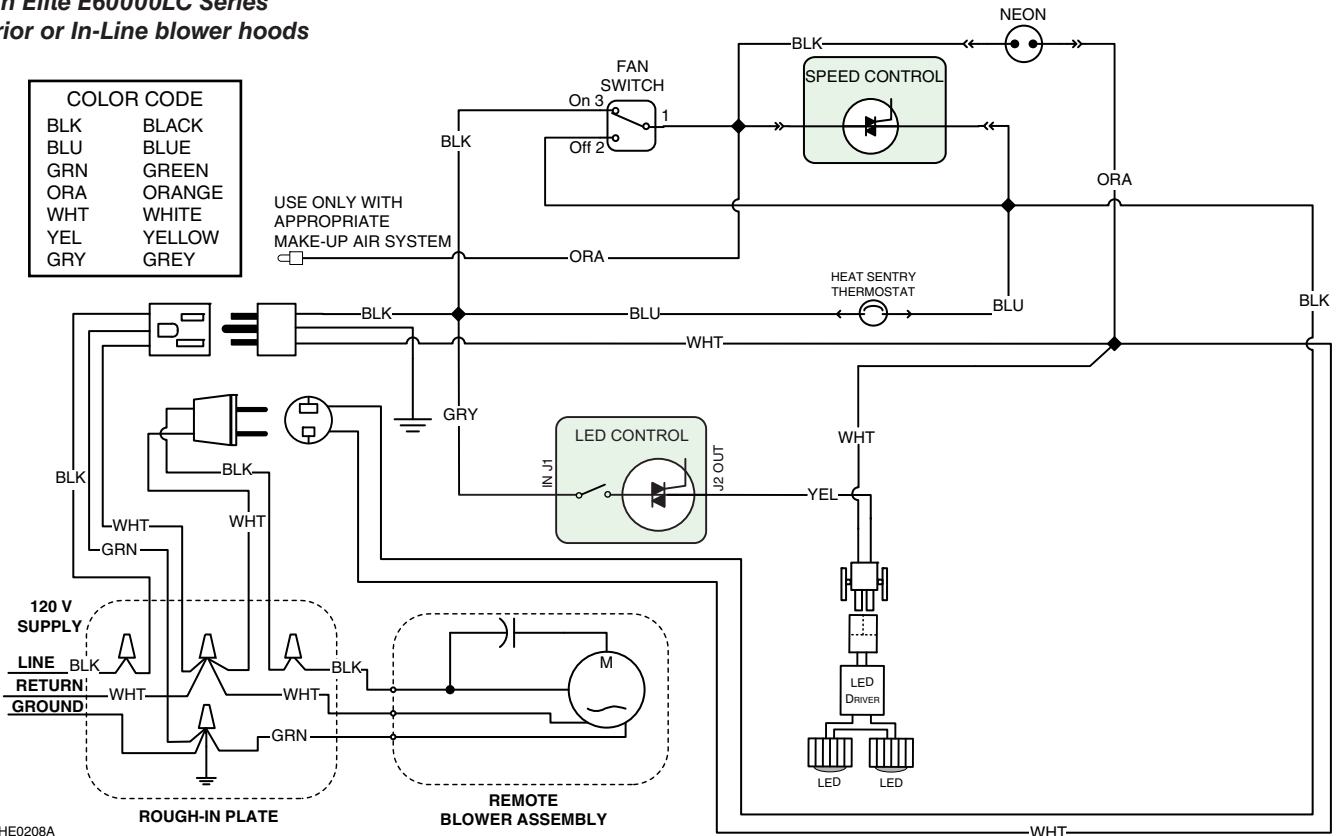


# 21. WIRING DIAGRAMS

## Broan Elite E6000LC Series Internal blower(s) hoods



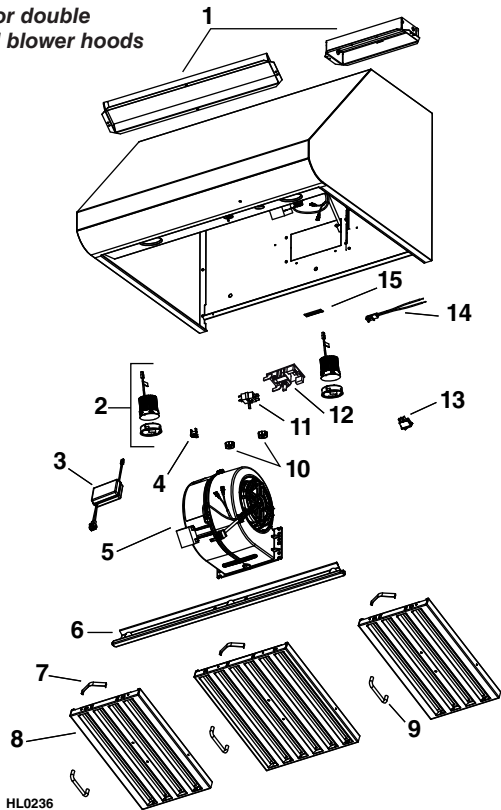
## Broan Elite E6000LC Series Exterior or In-Line blower hoods





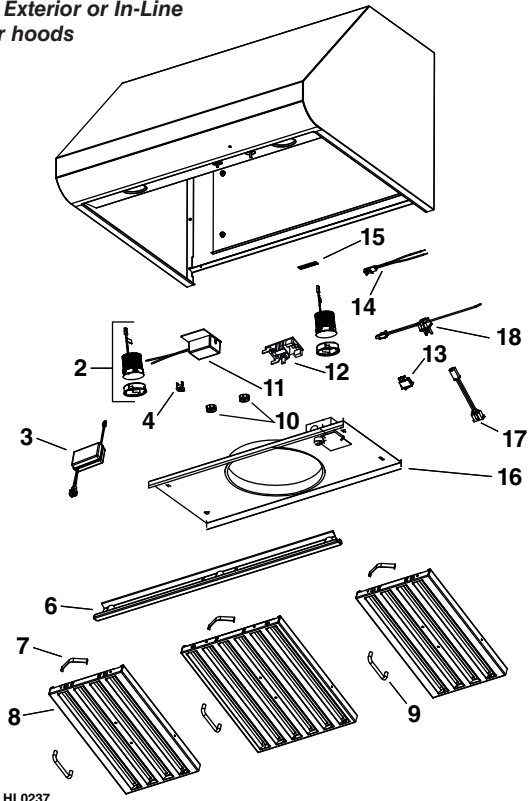
## 22. SERVICE PARTS

**Broan Elite E6000LC**  
Single or double  
internal blower hoods



HL0236

**Broan Elite E6000LC**  
Series Exterior or In-Line  
blower hoods



HL0237

KEY NO.	PART NO.	DESCRIPTION	QTY. (HOOD WIDTH)			
			30"	36"	42"	48"
1	SV13296	ADAPTER/DAMPER 3¼" x 10" (1-BLOWER HOOD)	1	1	-	-
	SV17797	ADAPTER 4½" x 18½" (2-BLOWER HOOD)	-	1	1	1
2	62612	LED MODULE (1)	2	2	2	2
3	62248	LED DRIVER AND CONNECTOR HARNESS	1	1	1	1
4	SV03435	HEAT SENTRY™ THERMOSTAT	1	1	1	1
5	SV08582	INTERNAL MOTOR	1	1	2	2
6	SV17640	GREASE RAIL 30"	1	-	-	-
	SV17641	GREASE RAIL 36"	-	1	-	-
	SV17642	GREASE RAIL 42"	-	-	1	-
	SV17643	GREASE RAIL 48"	-	-	-	1
7	SV08337	BAFFLE FILTER SPRING (SET OF 6)	1	1	1	1
8	SV17606	BAFFLE FILTER 8.84" x 15.125"	2	-	2	-
	SV17609	BAFFLE FILTER 11.84" x 15.125"	1	3	2	4
9	SV07680	BAFFLE FILTER HANDLE WITH SCREWS	3	3	4	4
10	SV08355	BLOWER AND LIGHT KNOBS (2 KNOBS)	1	1	1	1
11	SV21722	SPEED CONTROL	1	1	1	1
12	SV21248	LIGHT CONTROL WITH NUT	1	1	1	1
13	SV08339	BLOWER ROCKER SWITCH	1	1	1	1
14	SV08093	PILOT LAMP ASS'Y	1	1	1	1
15	SV06750	BROAN ELITE LOGO	1	1	1	1
*	SV21241	INSTALLATION GUIDE	1	1	1	1
*	SV08352	PARTS BAG: 2 WIRE CONNECTORS, 1 WIRE CLAMP, 3 WALL ANCHORS, 3 WASHERS 13/64" ID x 3/4" OD, 4 SCREWS NO. 8 x 3/8", 8 SCREWS NO. 8 x 3/4", 8 MECHANICAL SCREWS NO. 8-32 x 1/4", 4 FLAT HEAD SCREWS NO. 10-2"	1	1	1	1

\* NOT SHOWN.

KEY NO.	PART NO.	DESCRIPTION	QTY. (HOOD WIDTH)			
			30"	36"	42"	48"
2	62612	LED MODULE (1)	2	2	2	2
3	62248	LED DRIVER AND CONNECTOR HARNESS	1	1	1	1
4	SV03435	HEAT SENTRY™ THERMOSTAT	1	1	1	1
6	SV17640	GREASE RAIL 30"	1	-	-	-
	SV17641	GREASE RAIL 36"	-	1	-	-
	SV17642	GREASE RAIL 42"	-	-	1	-
	SV17643	GREASE RAIL 48"	-	-	-	1
7	SV08337	BAFFLE FILTER SPRING (SET OF 6)	1	1	1	1
8	SV17606	BAFFLE FILTER 8.84" x 15.125"	2	-	2	-
	SV17609	BAFFLE FILTER 11.84" x 15.125"	1	3	2	4
9	SV07680	BAFFLE FILTER HANDLE WITH SCREWS	3	3	4	4
10	SV08355	BLOWER AND LIGHT KNOBS (2 KNOBS)	1	1	1	1
11	SV03501	SPEED CONTROL	1	1	1	1
12	SV21248	LIGHT CONTROL WITH NUT	1	1	1	1
13	SV08339	BLOWER ROCKER SWITCH	1	1	1	1
14	SV08093	PILOT LAMP ASS'Y	1	1	1	1
15	SV06750	BROAN ELITE LOGO	1	1	1	1
16	SV08354	ROUGH-IN PLATE 10" ROUND	1	1	1	1
17	SV13923	FEMALE CONNECTOR	1	1	1	1
18	SV13924	MALE CONNECTOR	1	1	1	1
*	SV21241	INSTALLATION GUIDE	1	1	1	1
*	SV08352	PARTS BAG: 2 WIRE CONNECTORS, 1 WIRE CLAMP, 3 WALL ANCHORS, 3 WASHERS 13/64" ID x 3/4" OD, 4 SCREWS NO. 8 x 3/8", 8 SCREWS NO. 8 x 3/4", 8 MECHANICAL SCREWS NO. 8-32 x 1/4", 4 FLAT HEAD SCREWS NO. 10-2"	1	1	1	1

\* NOT SHOWN.

### REPLACEMENT PARTS AND REPAIRS

In order to ensure your unit remains in good working condition, you must use Venmar Ventilation ULC genuine replacement parts only. Venmar Ventilation ULC genuine replacement parts are specially designed for each unit and are manufactured to comply with all the applicable certification standards and maintain a high standard of safety. Any third party replacement part used may cause serious damage and drastically reduce the performance level of your unit, which will result in premature failing. Venmar Ventilation ULC recommends to contact a certified service depot for all replacement parts and repairs.