

# CY1011R | CLASSIC Collection

**Cyclone**<sup>®</sup>  
Breathe Better



## Under Mount

The CY1011R is an aesthetically pleasing and incredibly functional kitchen appliance. This filterless, powerful 680 CFM range hood separates grease from the airflow and deposits it into grease cups for hassle-free disposal. Includes bright halogen lights set at the front of the fan with two intensity settings to perfectly illuminate your cook-top. All functions are controlled with rocker switches located on the front panel.

## Includes



Grease Cup



Dishwasher  
Safe Components



Light Bulbs  
Included



Rocker Switch  
Control Panel



Model	Colour	Ducting	Size	CFM
CY1011RW	White	6"	30"	680
CY1011RB	Black	6"	30"	680
CY1011RSS	Stainless Steel	6"	30"	680

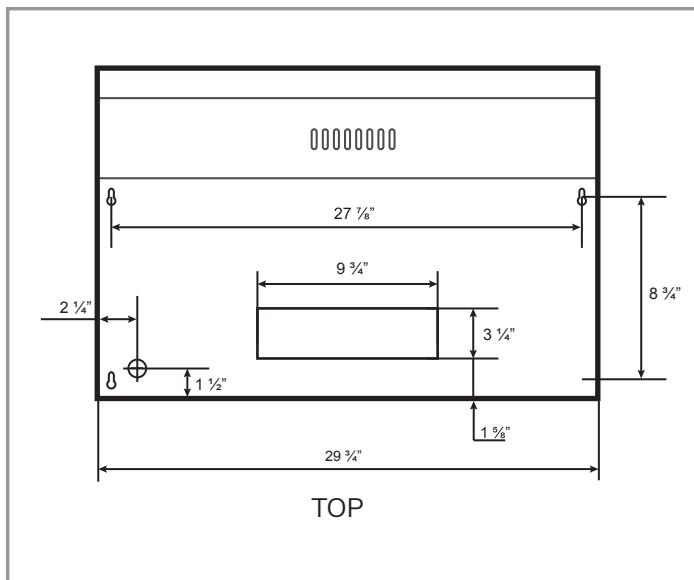
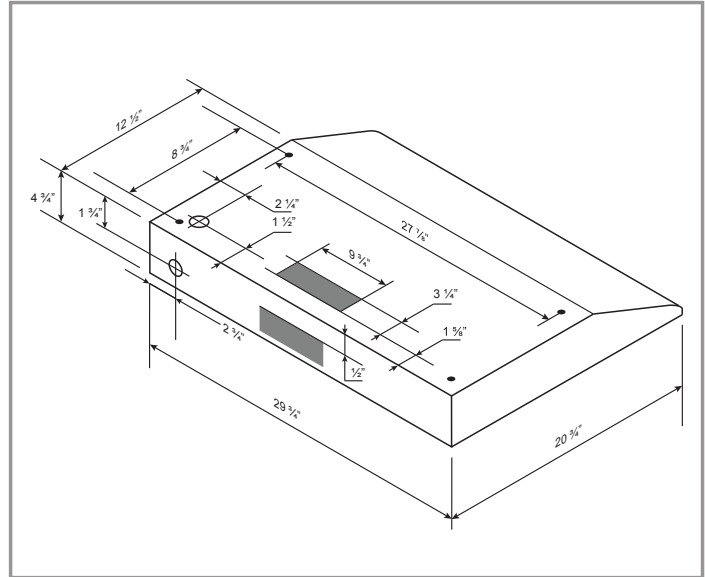
## Cyclone Range Hoods Inc.

1361 Huntingwood Drive, Unit 16. Toronto, ON. M1S 3J1. Canada.

Toll Free: 1-888-293-5662 Tel: (416) 293-0933 Fax: (416) 293-4793 Website: [www.CycloneRangeHoods.com](http://www.CycloneRangeHoods.com)

## Features

- Under mount range hood
- 6" round ducting
- Non-stick aluminum fan blades
- Rocker switch control panel
- Halogen light bulbs
- Hard-wire connection



## Options

- Finishes: White  
Black  
Stainless Steel

## Specifications

- |  |  |   |
|--|--|---|
| <ul style="list-style-type: none"> <li>▪ Air Flow Volume: 680 CFM</li> <li>▪ Electrical Connection: 120V/60Hz</li> <li>▪ Power Consumption: 216 Watts</li> <li>▪ Current: 2.4 Amps</li> <li>▪ Fan Speed: 1550 RPM</li> <li>▪ Fan Type: Axial Blower</li> </ul> | <ul style="list-style-type: none"> <li>▪ Finishes: White, Black, Stainless Steel</li> <li>▪ Ducting: 6" Round</li> <li>▪ Dimensions: Width: 30"<br/>Height: 4<sup>3/4</sup>"<br/>Depth: 20<sup>3/4</sup>"</li> </ul> | <ul style="list-style-type: none"> <li>▪ Noise Level: Min. 2 Sones<br/>Max. 7 Sones</li> <li>▪ Knock-out: 3<sup>1/4</sup>" x 10"<br/>Rectangular (Top or Rear)</li> </ul> |
|--|--|---|

