

# CY3000R | CLASSIC Collection

**Cyclone**<sup>®</sup>  
Breathe Better



White



Black



Stainless Steel

## Under Mount

Ultra-quiet motors keep the noise level extremely low without sacrificing the fans power. Features a digital touch sensitive control panel, six available speed settings, a time-delay OFF feature and a sleek narrow frame. Comes with non-stick fan blades that separate grease from the airflow, depositing it into oil cups. The cups are hidden within the machine for a clean look with easily accessible handles to conveniently dispose of the grease and oil.

## Includes



Grease Cup



Dishwasher Safe Components



Long-lasting LED Lights



6 Speed Digital Control Panel



Time-Delay OFF Feature



| Model     | Colour          | Ducting | Size | CFM |
|-----------|-----------------|---------|------|-----|
| CY3000RW  | White           | 6"      | 30"  | 680 |
| CY3000RB  | Black           | 6"      | 30"  | 680 |
| CY3000RSS | Stainless Steel | 6"      | 30"  | 680 |

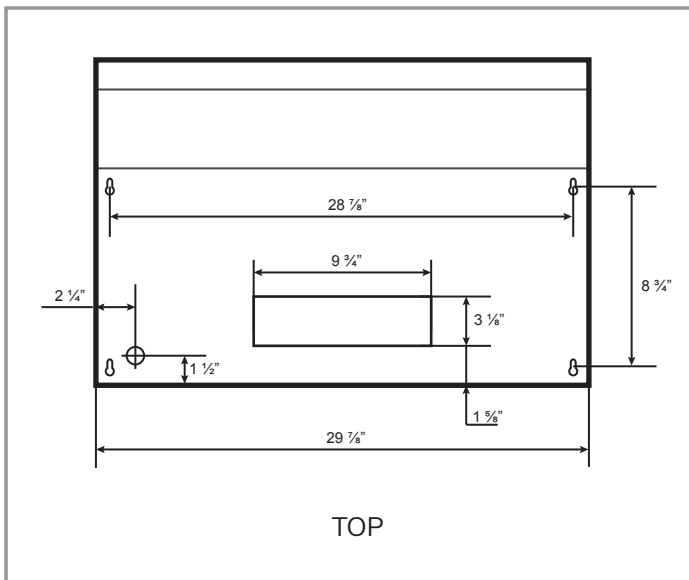
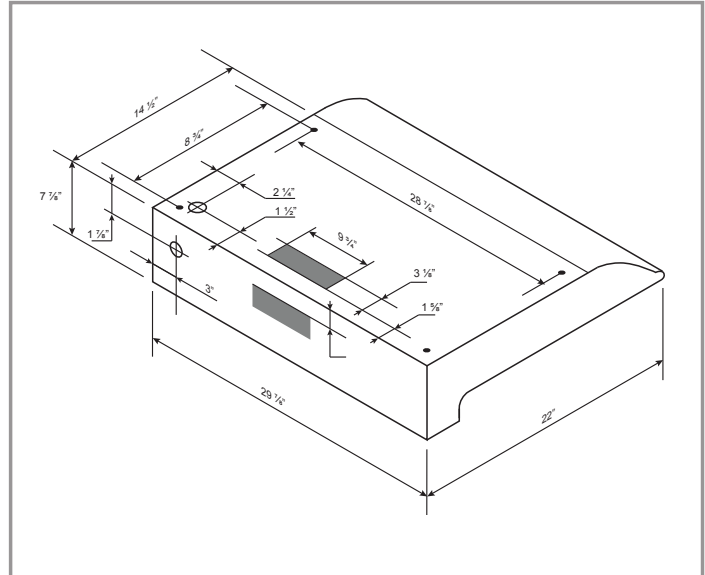
## Cyclone Range Hoods Inc.

1361 Huntingwood Drive, Unit 16. Toronto, ON. M1S 3J1. Canada.

Toll Free: 1-888-293-5662 Tel: (416) 293-0933 Fax: (416) 293-4793 Website: [www.CycloneRangeHoods.com](http://www.CycloneRangeHoods.com)

## Features

- Under mount range hood
- 6" round duct adapter
- Non-stick aluminum fan blades
- 6 speed digital touch sensitive control panel
- 2 LED light bulbs (2 x 1.4W)
- Time-delay OFF feature
- Hard-wire connection



## Options

- Finishes: White  
Black  
Stainless Steel

## Specifications

- Air Flow Volume: 680 CFM
- Electrical Connection: 120V/60Hz
- Power Consumption: 240 Watts
- Current: 2.5 Amps
- Fan Speed: 1550 RPM
- Fan Type: Axial Turbo
- Finishes: White, Black, Stainless Steel
- Ducting: 6" Round
- Dimensions: Width: 30"  
Height: 4<sup>7/8</sup>"  
Depth: 22"
- Noise Level: Min. 2 Sones  
Max. 7 Sones
- Knock-out: 3<sup>1/4</sup>" x 10"  
Rectangular (Top or Rear)

