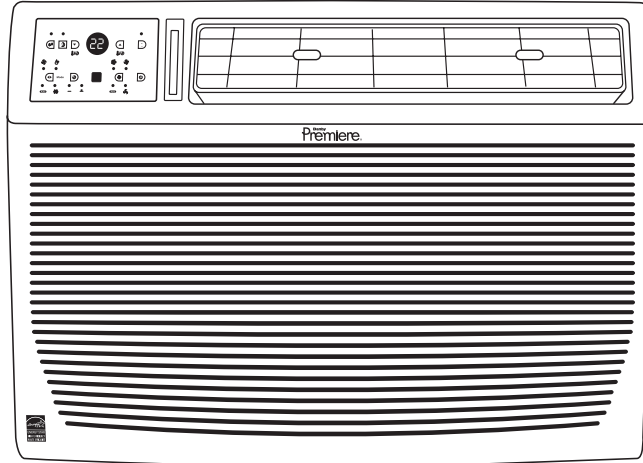




Owner's Use and Care Guide  
 Guide d'utiliser et soins de propriétaire  
**Model • Modèle**  
**DAC 1509EE**



**CAUTION: Read and follow all safety rules and operating instructions before first use of this product.**  
**MISE EN GARDE : Veuillez lire attentivement les consignes de sécurité et les directives d'utilisation avant l'utilisation initiale de ce produit.**

**AIR CONDITIONER**

**Table of contents** ..... **1**

**CLIMATISEUR**

**Table des matières** ..... **13**

**KEEP THESE INSTRUCTIONS FOR FUTURE REFERENCE: If the air conditioner changes ownership, be sure this manual accompanies the unit.**  
**CONSERVER CES INSTRUCTIONS POUR CONSULTATION ULTÉRIEURE: En cas de revente du climatiseur, ce manuel doit être inclus avec l'appareil.**

---

# TABLE OF CONTENTS

---

<b>UNIT SPECIFICATIONS</b>	.....	<b>2</b>
<b>PART IDENTIFICATION</b>	.....	<b>3</b>
<b>IMPORTANT SAFETY INFORMATION</b>		
<i>Electrical Specifications</i>	.....	<b>3</b>
<i>Energy Saving Tips</i>	.....	<b>4</b>
<b>FEATURES</b>	.....	<b>5</b>
<i>Unit Control</i>	.....	<b>5</b>
<i>Adjusting Air Flow</i>	.....	<b>6</b>
<b>INSTALLATION</b>		
<i>Before Installing</i>	.....	<b>6</b>
<i>Location</i>	.....	<b>7</b>
<i>Window Mounting Instructions</i>	.....	<b>7-9</b>
<b>CARE AND MAINTENANCE</b>	.....	<b>10</b>
<b>TROUBLESHOOTING</b>	.....	<b>11</b>
<i>Warranty</i>	.....	<b>12</b>

---

## WELCOME

---

Thank you for choosing a Danby Air Conditioner to cool your home. This Owner's Use and Care Guide will provide you with valuable information necessary for the proper care and maintenance of your new appliance. If properly maintained, your Danby appliance will give you many years of trouble free operation. Please take a few moments to read the instructions thoroughly and familiarize yourself with all of the operational aspects of this appliance.

**NOTE:** This unit is NOT designed for "Through-the-Wall" installation.

For easy reference, may we suggest you attach a copy of your sales slip/receipt to this page, along with the following information, located on the manufacturers nameplate on the rear panel of the unit.


Model Number: \_\_\_\_\_

Serial Number: \_\_\_\_\_

Date of Purchase: \_\_\_\_\_

This information will be necessary if your unit requires servicing and/or for general inquiries. To contact a Customer Service Representative, call Danby TOLL FREE:

1-800-26- **Danby**® (1-800-263-2629)

 **CAUTION:** Do not leave a room air conditioner unattended in a room where people or animals who cannot react to a failed unit are located. A failed unit can cause extreme overheating and fire in an enclosed, unattended space.

---

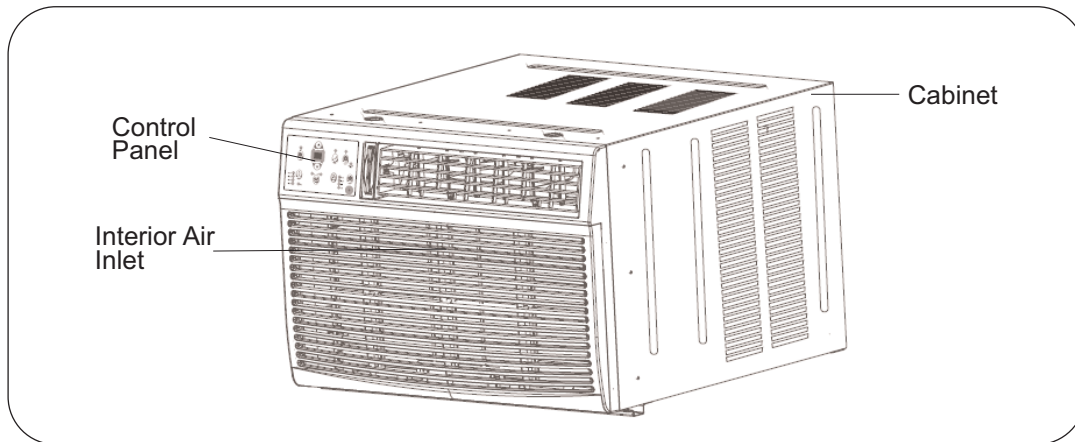
## UNIT SPECIFICATIONS

---

Model Number	DAC15009EE	
Voltage/Frequency	115V-60Hz	
Noise Level	60 dB	
Fan/Cooling Speeds	3/3	
Cooling Capacity	15000BTU	
Refrigerant	R410A	
Unit Weight	48 kg (105.8 lbs)	
Airflow CFM High/Med./Low	420 / 375 / 305	
Window Kit Dimensions	Min. H	469.9mm (18.5")
	Min. W	673.1 mm (26.5")
	Max. W	1028.7mm (40.5")
Dimensions (W) x (D) x (H)(inches)	23.6"x 25.5"x 17.7"	
Dimensions (W) x (D) x (H) (mm)	600 x 647 x 450	

**NOTE:** Continuing research results in steady improvement. Therefore, this information and these specifications are subject to change without notice.

# PART IDENTIFICATION




# IMPORTANT SAFETY INFORMATION

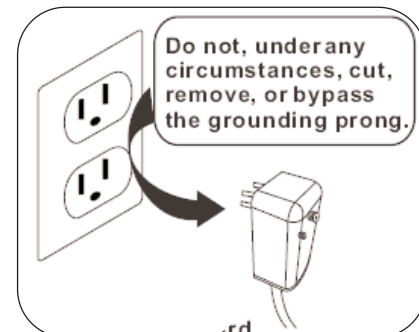
**READ ALL SAFETY INFORMATION BEFORE USING**

## ELECTRICAL SPECIFICATIONS

- 1) All wiring must comply with local and national electrical codes and must be installed by a qualified electrician. If you have any questions regarding the following instructions, contact a qualified electrician.
- 2) Check available power supply and resolve any wiring problems BEFORE installing and operating this unit.
- 3) This 115V air conditioner uses 12.2 or less nameplate amps and may be used in any properly wired, general purpose household receptacle. See Table 1 for specifications for individual branch circuit.
- 4) For your safety and protection, this unit is grounded through the power cord plug when plugged into a matching wall outlet. If you are not sure whether your wall outlet is properly grounded, please consult a qualified electrician.
- 5) The wall outlet must match the 3-prong plug on the service cord supplied with the unit. **DO NOT** use plug adapters. See Table 2 for receptacle and fuse information. If it is necessary to use an extension cord to connect your air conditioner, **use an approved "air conditioner" extension cord only** (available at most local hardware stores).
- 6) The rating plate on the unit contains electrical and other technical data. The rating plate is located on the right side of the unit, above the power cord.

TABLE 1	
Suggested Individual Branch Circuit	
Nameplate Amps 15	*AWG Wire Size 14
AWG- American Wire Gauge *Based on copper wire at 105°C temperature rating.	

TABLE 2	
Receptacle and Fuse Types	
Rated Volts	115
Amps	15
Wall Outlet	
Fuse Size	15
Time Delay Fuse (or Circuit Breaker)	Plug Type



---

## IMPORTANT SAFETY INFORMATION

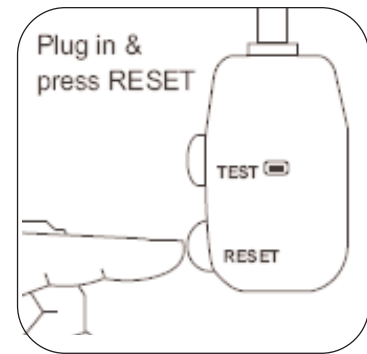
---

### POWER SUPPLY CORD

The power cord supplied with this air conditioner contains a device that senses damage to the power cord. To test if your power cord is working properly, you must do the following:

- 1) Connect the power supply cord to an electrical outlet.
  - 2) The power supply cord has two buttons located on the head of the plug. One button is marked "TEST", and the other is marked "RESET". Press the "TEST" button; you will hear a click as the "RESET" button pops out.
  - 3) Press the "RESET" button; you will hear a click as the button engages.
  - 4) The power supply cord is now energized and supplying electricity to the air conditioner (on some products this is also indicated by a light on the plug head).
- Under no circumstances should this device be used to turn the unit on or off.
  - The "RESET" button must always be pushed in (engaged) for correct operation.
  - The power supply cord must be replaced if it fails to reset when the "TEST" button is pushed in.

**NOTE:** The power cord supplied with this air conditioner contains a current leakage detection device designed to reduce the risk of fire. In the event the power supply cord is damaged, it cannot be repaired and must be replaced with a new cord from the product manufacturer.



**NOTE:** Some plugs have buttons on the top.

---

### ENERGY-SAVING TIPS

**Your Danby appliance is designed to be highly efficient in energy savings.** Follow these recommendations for greater efficiency:

- 1) Select a thermostat setting that suits your comfort needs and leave at that chosen setting.
- 2) The air filter is very efficient in removing airborne particles. Keep the air filter clean at all times.
- 3) Use drapes, curtains or shades to keep direct sunlight from penetrating and heating room, but do not allow drapes or curtains to obstruct the air flow around the unit.
- 4) Start your air conditioner before the outdoor air becomes hot and uncomfortable, to avoid an initial period of discomfort while the unit is cooling off the room. Use of the automatic start/stop programmable TIMER feature can be a major asset in this regard if utilized to the fullest extent.
- 5) When outdoor temperatures are cool enough, turn the air conditioner off and use the FAN MODE. This circulates indoor air, providing some cooling comfort while utilizing less electricity.

# FEATURES

## UNIT CONTROL PANEL

- 1) On/Off Button:** Press to turn unit on/off.
- 2) Temp. Up/Down Buttons:** To change temp. setting, press or hold either Up (▲) or Down (▼) button until the desired temperature is seen on the display. This temp. will be automatically maintained (anywhere between 17°C and 30°C (62°F and 86°F). If you want the display to read the room temp., see “To Operate on Fan Only” section.
- 3) Fan Speed Button:** Used to select the Fan Speed; Auto, High, Med. or Low. Each time the button is pressed, the fan speed mode is shifted.
- 4) Mode Button:** Press to choose operating mode; each time you press, a mode is selected, from; Auto, Cool, Fan, and Dry. The appropriate indicator light beside mode button will illuminate and remain on once mode is selected.

### To operate Auto Mode:

- In this mode, the fan speed cannot be adjusted; it starts automatically at a speed according to the room temperature. If the room does not get too warm, the fan will remain at Low speed.

### To operate Fan Only Mode:

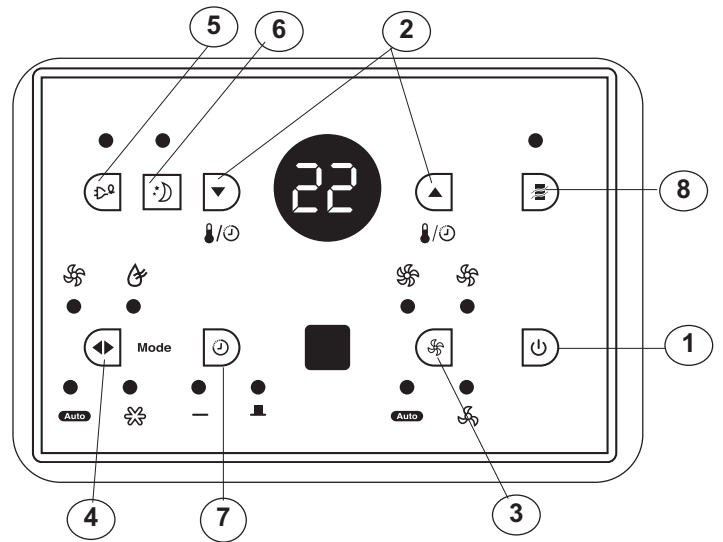
- Use this function when cooling is not desired, such as for room circulation or to exhaust stale air. Remember to open the vent during this function, but keep it closed during cooling for maximum cooling efficiency. In this mode you can choose any fan speed you prefer.

**5) Energy Saver Button:** In this mode, the fan will continue to run for 3 minutes after the compressor shuts off. The fan then cycles on for 2 minutes at 10 minute intervals until the room temperature is above the set temperature, at which time the compressor turns back on and cooling starts.

**6) Sleep Button:** In this mode the selected temp. will increase by 2 degrees 30 minutes after the mode is selected. The temp. will then increase by another 2 degrees after an additional 30 minutes. This new temp. will be maintained for 7 hours before it returns to the originally selected temp. This ends the Sleep mode and the unit will continue to operate as originally programmed. The sleep mode program can be cancelled at any time during operation by again pressing the Sleep button.

**7) Timer (Auto Start / Stop Feature) Button:** Pressing Timer button will illuminate indicator beside the word “On”; this indicates the Auto Start program is initiated. Press or hold the Up (▲) or Down (▼) buttons to change the Auto time by 0.5 hour increments, up to 10 hours, then at 1 hour increments up to 24 hours. The control will count down the time remaining until start. The selected time will register in 5 seconds and the system will automatically revert back to display the previous temp. setting. Turning the unit ON or OFF at any time will cancel the Auto Start/Stop function.

**8) Check Filter Button:** This feature is a reminder to clean the Air Filter for more efficient operation. The LED (light) will illuminate after 250 hours of operation. To reset after cleaning the filter, press the Check Filter button and the light will go off.

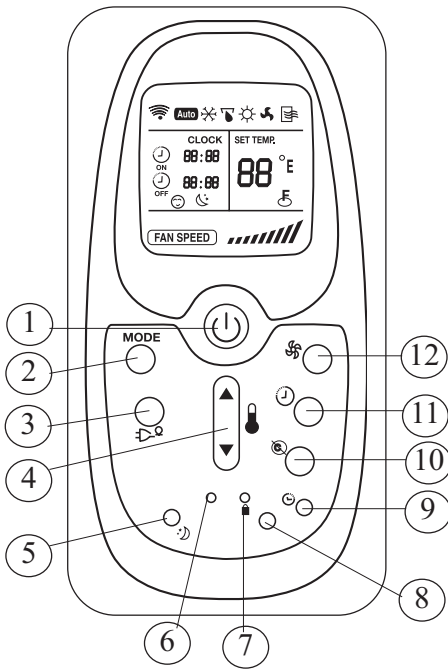


## ADDITIONAL FEATURES:

- The Cool circuit has an automatic 3 minute time delayed start if the unit is turned off and on quickly. This prevents overheating of the compressor and possible circuit breaker tripping. The fan will continue to run during this time.
- The control will maintain any set temp. within 2°, between 15°C - 32°C (60°F - 90°F)
- The control is capable of displaying temp. in Celsius (°C) or Fahrenheit (°F). To convert from one to the other, press and hold the Up and Down Temp./Timer buttons at the same time for 3 seconds.

# FEATURES

## REMOTE CONTROL



**1) ON/OFF Button:** Push this button to start/stop operation.

**2) MODE selection button:** Each time you push this button, a mode is selected (Auto, Cool, Dry, Heat, Fan).

**3) ENERGY SAVER Button:** This function is only available in COOL mode. Push this button and the fan will continue to run for another 3 minutes after the compressor shuts off. The fan then cycles on for 2 minutes at 10 minute intervals until the room temperature is above the set temperature, at which time the cooling system turns back on.

**4) TEMP/TIME Button:** Push the ▲ button to increase the indoor temperature setting or to adjust the TIMER in a clockwise direction. Push the ▼ button to decrease the indoor temperature setting or to adjust the TIMER in a counter-clockwise direction.

**NOTE:** Press and hold ▲ and ▼ buttons together for 3 seconds to alternate the temperature display between the °C and °F scales.

**5) SLEEP Button:** In SLEEP mode, the set temperature will increase by 2° over the next 30 minutes, and by another 2° after an additional 30 minutes. This new temperature will be maintained for 7 hours before it returns to the originally selected temperature.

**NOTE:** The SLEEP mode program can be cancelled at any time during operation by pressing the SLEEP button again.

**6) Restore remote control default settings.**

**7) LOCK Button:** When you press the LOCK button, all current settings are locked in and the remote control does not accept any operation except that of the LOCK. Press again to cancel the LOCK mode.

**8) Toggle the LED backlight on/off.**

**9) CLOCK Button:** Used to set the time.

**10) CANCEL Button:**

a) If the TIMER ON, TIMER ON/OFF or TIMER OFF/ON feature has been set, pressing the CANCEL button will override the TIMER program and turn the unit off.

b) If only the TIMER OFF feature has been set, pressing CANCEL will cancel the timer off setting and turn on the unit (if the unit was turned off).

c) If no TIMER feature has been set, pressing the CANCEL button will do nothing.

**11) TIMER Button:** This button is used to preset the time ON (start operation) and the time OFF (stop operation).

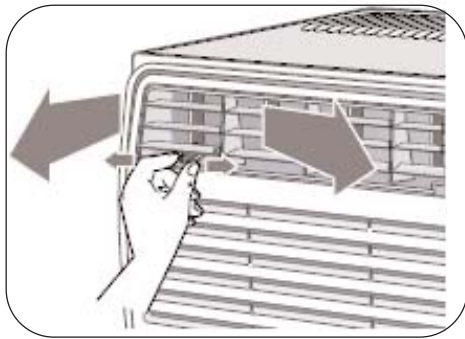
**12) FAN Button:** Used to select the Fan Speed; Auto, Low, Med., or High. Each time the button is pressed, the fan speed mode is changed.

## FEATURES (cont'd)

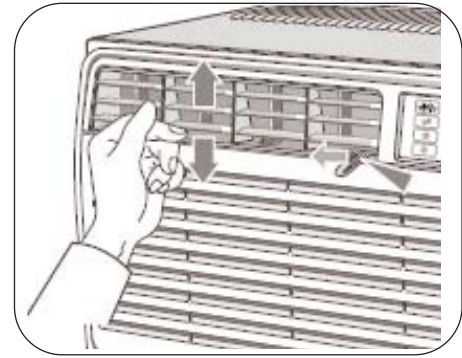
### ADJUSTING AIR FLOW

The 4-way air directional louvers allow you to direct the air flow Up or Down and Left or Right throughout the room as needed.

**Recommendation:** When cooling, adjust blades to face upward. If you orient the air flow blades downward and the unit operates in cool mode for long periods of time, dew may form and drip from the surface of the blades



← Left or Right  
Up or Down →



## INSTALLATION

### TOOLS REQUIRED

**Fig. 1**

- Large flat blade screwdriver
- Socket wrenches
- Adjustable wrench or pliers
- Phillis screwdriver
- Pencil
- Level
- Tape measure



**Electric Shock Hazard:** To avoid the possibility of personal injury, disconnect power to the unit before installing or surfacing.

### BEFORE INSTALLING

- Check window opening size against dimensions of your unit ( see Unit Specifications pg. 2).
- Check condition of window; all wood parts of window must be in good shape and able to firmly hold the needed screws. If not, make repairs before installing unit.
- Check for anything that could block airflow; check area outside window for things such as shrubs, trees, or awnings. Inside, be sure furniture, drapes or blinds will not stop proper airflow. (See Fig. 2 pg. 7)
- Carefully unpack air conditioner. Remove all packing material, and check for all included installation hardware.

**Fig. 1 INSTALLATION HARDWARE**

	7/16" locking screw & flat washer for window panels	2 each
	3/4" long Hex-head screw	4
	Safety Lock	1
	1/2" long screw and locknut	4 each
	3/4" long flat head bolt and locknut	2 each
	Sill Angle Bracket	2
	5/6" long Hex-head locking screw for top angle, side retainer.	10



# INSTALLATION (cont'd)

## LOCATION

**A)** This room air conditioner is designed to fit easily into a double hung window. However, since window designs vary, it may be necessary to make some modifications for safe, proper installation.

**B)** For maximum efficiency, install the air conditioner on a side of the house or building which favours more shade than sunlight. If the unit is in direct sunlight, it is advisable to provide an awning over the unit.

**C)** Provide sufficient clearance around the cabinet to allow for ample air circulation through the unit (See Fig. 2). The rear of the unit should be outdoors and not in a garage nor inside a building. Keep unit as far away as possible from obstacles/obstructions and at least 30" above the floor or ground. Curtains and other objects within a room should be prevented from blocking the air flow.

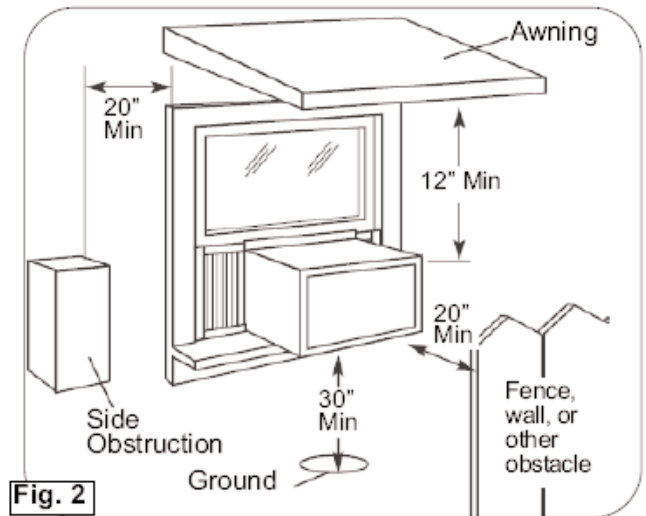
**D)** Be certain the proper electrical outlet is within reach of the installation. Use only a single outlet circuit rated at 15 amps. All wiring should be in accordance with local and national electrical codes.

**Note:** This unit is NOT designed for vertical (slider type) windows and/or through-the-wall applications. Save the shipping carton and packing materials for future storage or transport of the unit. From carton, remove the plastic bag containing the installation hardware kit necessary for the installation of your air conditioner. Please check the contents of hardware kit against the corresponding model check list, prior to installation of the unit (See Fig. 1 pg 6).

**CAUTION:** Because the compressor is located on the controls side of the unit, this side will be heavier and more awkward to manipulate. Inadequate support on control side of the unit can result in personal injury and damage to your unit and property. Therefore, it is recommended that you have someone assist you during the installation of this unit.

**E)** DO NOT install unit where leakage of combustible gas is suspected. Your air conditioner may fail to operate in air containing oils (including machine oils), sulfide gas, near hot springs, etc.

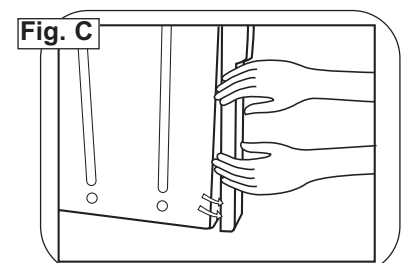
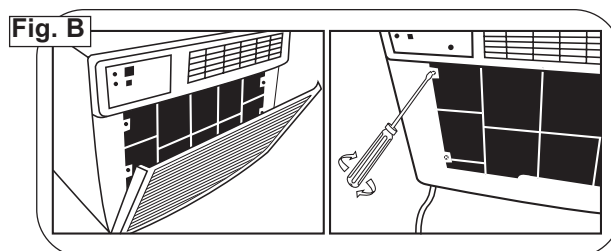
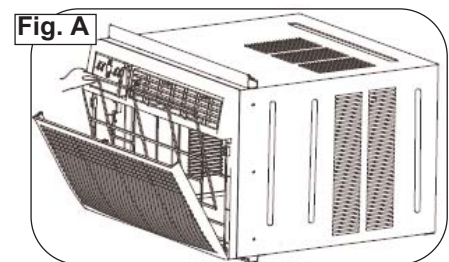
**NOTE:** Your unit is designed to evaporate condensation under normal conditions. However, under extreme humidity conditions, excess condensation may cause basepan to overflow to the outside. The unit should be installed where condensation run-off cannot drip on pedestains or neighbouring properties.



## WINDOW MOUNTING

### 1 Remove Chassis:

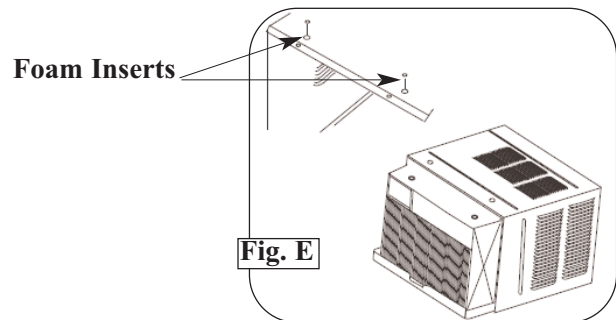
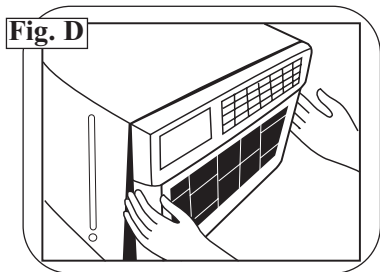
- 1) Pull down front panel and remove filter (See **Fig. A**)
- 2) Lift front panel upwards and place to one side.
- 3) Locate the four (4) front screws and remove (**Fig B**). These screws will be needed to re-install the front later.
- 4) Pry away front panel from cabinet sides as show in **Fig.C**.



# INSTALLATION (cont'd)

## 1 Remove Chassis (cont'd)

- 5) Gently lift front off unit and place to one side (See Fig. D)
- 6) Remove shipping screws from top of unit and also on the side by the base if installed.
- 7) Hold the cabinet while pulling on the base handle, and carefully remove the chassis from the cabinet.
- 8) Add two foam inserts to holes in top of cabinet where shipping screws were removed from (See Fig. E).
- 9) Your unit may come with internal packaging. This packaging must be removed prior to installing the air conditioner back into the cabinet.

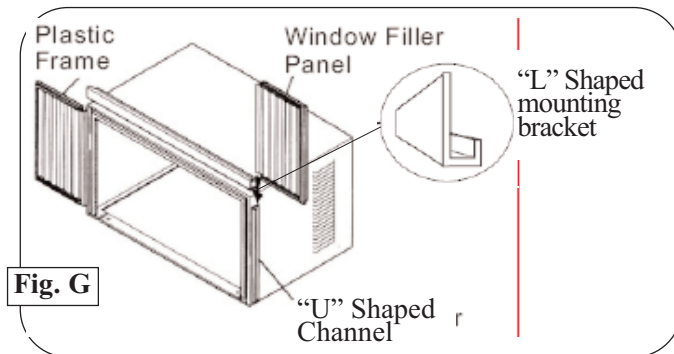
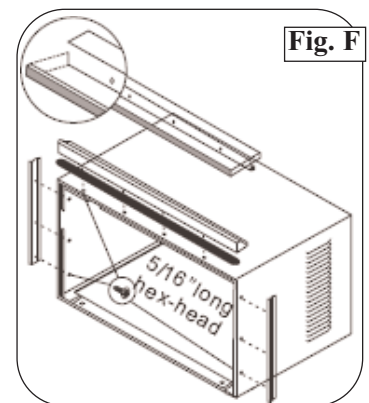


## 2 Install Top Angle and Side Bracket

- 1) Attach foam gasket to top angle above holes as shown in Fig. F.
- 2) Install top angle and side retainers to cabinet as show in Fig. F.

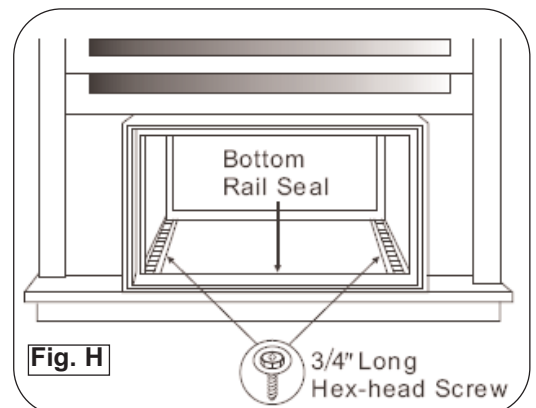
## 3 Assemble Window Filler Panels

- 1) Place cabinet on floor, a bench, or a table.
- 2) Slide the window filler panel frame into the top (L shaped) and bottom (U shaped) channels. The shutters are identified (on the frame) as left and right.
- 3) Insert washer head locking screws (2) into holes in top leg of filler panel frame. Do not totally tighten. Allow leg to slide freely. Screws will be tightened later.



## 4 Install Top Angle and Side Bracket

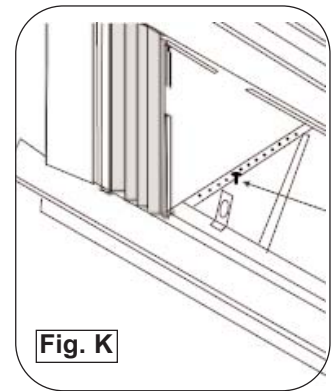
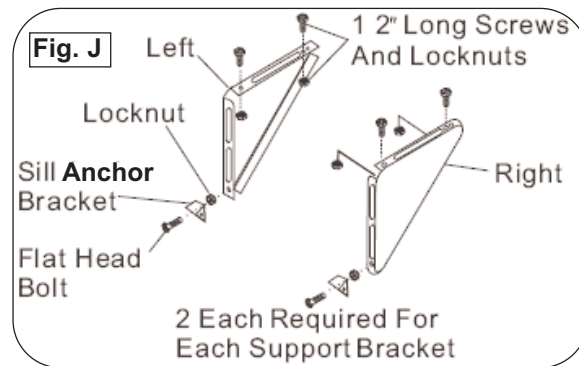
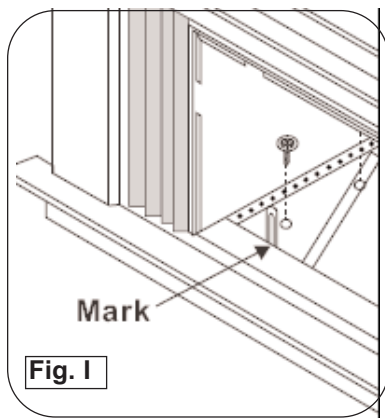
- 1) Open window and mark center of window sill.
- 2) Place cabinet in window with lower "U" channel of cabinet firmly seated over window sill. Bring window down temporarily behind top "L" bracket to hold cabinet in place.
- 3) Shift cabinet left or right as needed to line up center of cabinet on center line marked on window sill.
- 4) Fasten cabinet to window sill with 2 screws (you may want to pre-drill holes).
- 5) Add bottom rail seal over screws to window sill. See Fig. H



## INSTALLATION (cont'd)

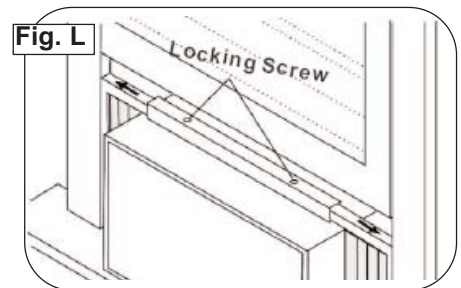
### 5 Install Support Bracket

- 1) Hold each support bracket flush against outside of sill, and tighten to bottom of cabinet as shown in **Fig. I**. Mark brackets at top level of sill, and remove.
- 2) Assemble sill anchor bracket to outside support legs at the market positon, as seen in **Fig. J**. Hand tighten, but allow for any changes later.
- 3) Install support brackets (with sill anchor brackets attached) to correct hole in bottom of cabinet as shown in **Fig. K**.
- 4) Tighten all 6 bolts securely.



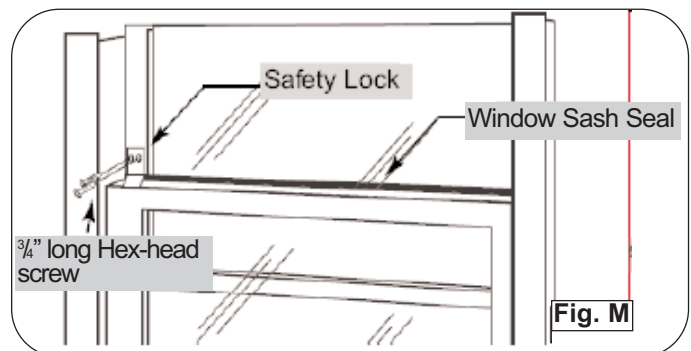
### 6 Extend Window Filler Panels

- 1) Extend panels to fill window opening completely. Secure the shutter clamp on each side of the (upper) shutter and secure to window sill using one 7/16in. (11.1mm) locking screw & flat washer on each side. (**Fig. L**)
- 2) Attach frame lock to window sill using one 1-3/16in. (20mm) screw on each side as shown in **Fig. L**.



### 7 Install Window Lock and Sash Seal

- 1) Trim sash seal to fit window width. Insert into space between upper and lower sashes (**Fig. M**).
- 2) Attach right angle safety lock as shown in **Fig. M**.



### 8 Install Chassis into Cabinet and Install Front to Unit

- 1) Lift chassis and carefully slide into cabinet, leaving 6 inches protruding.
- 2) **DO NOT** push on controls or coils.
- 3) Be sure the chassis is firmly seated towards rear of cabinet.
- 4) Installation of front is the reverse of removal, outlined in section 1 ("Remove Chassis").

---

## CARE AND MAINTENANCE

---

**⚠ CAUTION:** Before cleaning or servicing this unit, disconnect from any electrical supply outlets to prevent possible shock or fire hazard.

- **DO NOT** use gasoline, benzene, thinner, or any other chemicals to clean this unit, as these substances may cause damage to the finish and deformation of plastic parts.
- Never use harsh cleaners, wax or polish on the cabinet front.

---

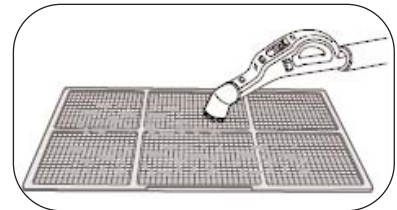
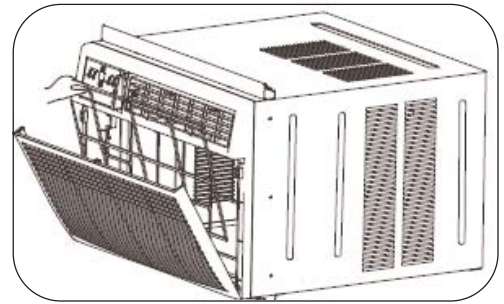
### CLEANING THE AIR FILTER

**⚠ CAUTION:** Never operate this unit without the air filter in place, as this may result in damage to the unit.

The air filter should be checked at least once a month to see if cleaning is necessary. Trapped particles in the filter can build up and cause accumulation of frost on the cooling coils.

- Push the vent handle to the Vent Closed position.
- Open the front panel.
- Grasp the filter, pull up and out.
- Wash the filter using liquid dishwashing detergent and warm water. Rinse filter thoroughly.
- Gently shake excess water from the filter. Be sure the filter is thoroughly dry before replacing.
- You may also vacuum the filter clean.

**NOTE:** Never use hot water over 40°C (104°F) to clean the air filter.



---

### CLEANING THE CABINET

- Be sure to unplug the air conditioner to prevent shock or fire hazard. The cabinet and front may be dusted with an oil-free cloth or washed with a soft cloth dampened in a solution of warm water and mild liquid dishwashing detergent. Rinse thoroughly and wipe dry.
- Be sure to wring excess water from the cloth before wiping around the controls. Excess water in or around the controls may cause damage to the air conditioner.

---

### WINTER STORAGE

If you plan to store the air conditioner during the winter, remove it carefully from the window according to the installation instructions. Cover it with plastic or return it to the original carton. Always store the unit in upright position.

# TROUBLESHOOTING

Occasionally, a problem may occur that is minor, and a service call may not be necessary. Use this troubleshooting guide for a possible solution. If the unit continues to operate improperly, call an authorized service depot or Danby's Toll Free Number for assistance.

PROBLEM	POSSIBLE CAUSE	SOLUTION
<ul style="list-style-type: none"> <li>• Unit does not work</li> </ul>	<ul style="list-style-type: none"> <li>• Power is out</li> <li>• The plug is not plugged in properly</li> <li>• Plug current device tripped.</li>   <li>• Control is Off</li> </ul>	<ul style="list-style-type: none"> <li>• Wait for power to return</li> <li>• Plug in properly</li> <li>• Press the reset button after resolving problem</li> <li>• Turn control ON and set to desired setting.</li> </ul>
<ul style="list-style-type: none"> <li>• Air from unit does not feel cold enough</li> </ul>	<ul style="list-style-type: none"> <li>• Room temp. below 17°C (62°F)</li> <li>• Temp. sensing element touching cold coil (behind air filter)</li> <li>• Temp. set too high</li> <li>• Compressor shut off by changing modes</li> </ul>	<ul style="list-style-type: none"> <li>• Will not cool until room temp. rises above 17°C(62°F)</li> <li>• Straighten tube away from coil.</li>   <li>• Reset to a lower temp.</li> <li>• Wait approx. 3 minutes and listen for compressor to restart when in cool mode.</li> </ul>
<ul style="list-style-type: none"> <li>• Air conditioner cooling but room is too warm- ice forming on cooling coil behind decorative front.</li> </ul>	<ul style="list-style-type: none"> <li>• Outdoor temp. below 17°C(62°F)</li> <li>• Air filter may be dirty</li> <li>• Thermostat too cold for night-time cooling.</li> </ul>	<ul style="list-style-type: none"> <li>• To defrost coil, set to FAN ONLY</li> <li>• Clean filter as per instructions</li> <li>• Set temp. to a higher setting</li> </ul>
<ul style="list-style-type: none"> <li>• Air conditioner cooling but room is too warm- NO ice forming on cooling coil behind decorative front.</li> </ul>	<ul style="list-style-type: none"> <li>• Dirty air filter- air restricted</li> <li>• Temp. is set too high</li> <li>• Air directional louvers positioned improperly</li> <li>• Front of unit blocked(i.e. by drapes), restricting air distribution.</li> <li>• Doors, windows, registers etc. open, cold air escaping.</li> <li>• Unit recently turned on in hot room.</li> </ul>	<ul style="list-style-type: none"> <li>• Clean air filter</li> <li>• Set to lower temp.</li> <li>• Position louvers for better air distribution.</li> <li>• Clear blockage in front of unit</li>   <li>• Close doors, windows, registers.</li>   <li>• Allow additional time to remove “stored heat” from room.</li> </ul>
<ul style="list-style-type: none"> <li>• Air conditioner turns on and off rapidly.</li> </ul>	<ul style="list-style-type: none"> <li>• Dirty air filter- air restricted</li> <li>• Outside temp. extremely hot.</li> </ul>	<ul style="list-style-type: none"> <li>• Clean air filter.</li> <li>• Set fan speed to higher setting to bring air past cooling coils more frequently.</li> </ul>
<ul style="list-style-type: none"> <li>• Noise when unit is cooling.</li> </ul>	<ul style="list-style-type: none"> <li>• Air movement sound</li>   <li>• Window vibration</li> </ul>	<ul style="list-style-type: none"> <li>• This is normal. If too loud, set to slower fan setting.</li> <li>• Poor installation- refer to installation instructions or check with installer.</li> </ul>
<ul style="list-style-type: none"> <li>• Water dripping INSIDE when unit is cooling.</li> </ul>	<ul style="list-style-type: none"> <li>• Improper installation</li> </ul>	<ul style="list-style-type: none"> <li>• Tilt air conditioner slightly to the outside to allow water drainage.</li> </ul>
<ul style="list-style-type: none"> <li>• Water dripping OUTSIDE when unit is cooling.</li> </ul>	<ul style="list-style-type: none"> <li>• Unit removing large quantity of moisture from humid room.</li> </ul>	<ul style="list-style-type: none"> <li>• This is normal during excessively humid days.</li> </ul>
<ul style="list-style-type: none"> <li>• Remote Sensing deactivating prematurely.</li> </ul>	<ul style="list-style-type: none"> <li>• Remote control not located within range.</li> <li>• Remote control signal obstructed.</li> </ul>	<ul style="list-style-type: none"> <li>• Place remote control within 20 feet &amp; 180° radius of front of unit.</li> <li>• Remove obstruction.</li> </ul>
<ul style="list-style-type: none"> <li>• Room too cold.</li> </ul>	<ul style="list-style-type: none"> <li>• Set temperature too low.</li> </ul>	<ul style="list-style-type: none"> <li>• Increase set temperature.</li> </ul>

---

# TABLE DES MATIÈRES

---

<b>SPÉCIFICATIONS DE L'UNITÉ</b>	14
<b>IDENTIFICATION DE PARTIE</b>	15
<b>CONSIGNES DE SÉCURITÉ IMPORTANT</b>	
<i>Spécifications Électrique</i>	15
<i>Suggestions pour économiseur d'énergie</i>	16
<b>CARACTÉRISTIQUES</b>	
<i>Contrôle de l'unité</i>	17
<i>Reglage de débit d'air</i>	18
<b>INSTALLATION</b>	
<i>Avant l'installation</i>	18
<i>Endroit</i>	19
<i>Fixation dans la fenêtre</i>	19-21
<b>SOINS ET ENTRETIEN</b>	22
<b>DÉPANNAGE</b>	23
<i>Garantie</i>	24

---

## BIENVENUE

---

Merci d'avoir choisi un appareil Danby qui vous fournira ainsi qu'à votre famille, le confort au foyer, à la maison, au chalet ou au bureau. Ce guide d'utiliser et soins de propriétaire vous offre des renseignements pratiques pour le soin et l'entretien de votre nouvel appareil. Un appareil Danby bien entretenu vous fournira plusieurs années de service sans ennui.

Veuillez prendre quelques moments pour lire attentivement toutes les directives pour vous renseigner et vous familiariser avec tous les aspects du fonctionnement de votre appareil.

**REMARQUE:** Cette appareil ne PAS été conçu pour une installation à travers une paroi.

Pour la référence aisée, nous vous suggérons de joindre une copie de votre reçu de caisse et/ou facture d'achat à cette page, et d'inscrire les renseignements suivants qui sont trouvés sur la plaque d'identification du fabricant. Celle-ci est située sur le panneau arrière de l'appareil.

Numéro de modèle: \_\_\_\_\_

Numéro de série : \_\_\_\_\_

Date d'achat : \_\_\_\_\_

Ces renseignements seront requis si le service est demandé et/ou si vous désirez obtenir des renseignements supplémentaires. Pour consulter un Représentant du service à la clientèle, composez le NUMÉRO D'APPEL SANS FRAIS suivant:

1-800-26- **Danby**<sup>®</sup>  
(1-800-263-2629)



**MISE EN GARDE:** Ne laissez pas un climatiseur de chambre sans surveillance dans un espace où se trouvent des gens ou des animaux qui ne peuvent pas réagir à un appareil défaillant. Un appareil défaillant peut causer une surchauffe extrême ou entraîner la mort dans un téléespace confiné et sans surveillance.

---

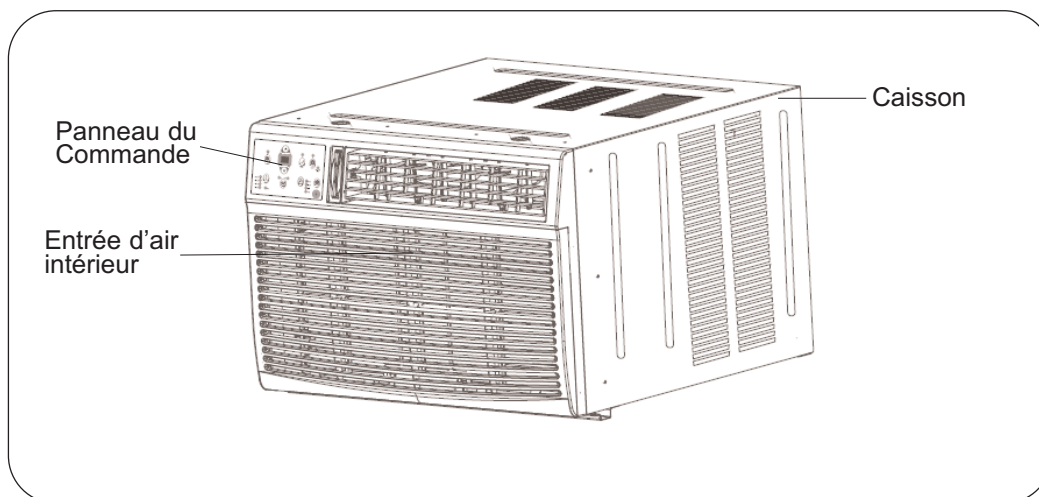
## SPÉCIFICATIONS DE L'UNITÉ

---

Modèle	DAC15009EE	
Source d'alimentation	115V-60Hz	
Niveau de bruit	60 dB	
Vitesse de ventilateur/climatiseur	3/3	
Capacité de climatisation	15000BTU	
Réfrigérant	R410A	
Poids de l'unité	48 kg (105.8 lbs)	
Flux d'air CFM Haut/Moyenne/Bas	420 / 375 / 305	
Dimensions du kit de fenêtre	Min. (htr)	469.9mm (18.5")
	Min. (lgr)	673.1 mm (26.5")
	Max. (lgr)	1208.7mm (40.5")
Dimensions (W) x (D) x (H)(pouces)	23.6"x 25.5"x 17.7"	
Dimensions (W) x (D) x (H) (mm)	600 x 647 x 450	

**REMARQUE:** La recherche ensuit toujours des améliorations. Par conséquent, ces informations et spécifications peuvent changer sans préavis.

## IDENTIFICATION DE PARTIE



## CONSIGNES DE SÉCURITÉ IMPORTANT

*LISEZ TOUTE L'INFORMATION DE SÉCURITÉ AVANT UTILISATION*


### SPECIFICATIONS ELECTRIQUE

- 1) Tous les câblages doivent être conformes aux codes électriques locaux et nationaux et doivent être installés par un électricien qualifié. Si vous avez la moindre question au sujet des instructions ci-dessous, contactez un électricien qualifié.
- 2) Vérifiez la fourniture d'alimentation électrique disponible et résolvez tout problème de câblage AVANT d'installer et de faire fonctionner cet appareil.
- 3) Ce climatiseur à 115V utilise 12.2 ampères ou moins de puissance nominale et peut être utilisé dans toute prise de courant domestique de but général adéquatement câblée. Voir le Tableau 1 pour les spécifications pour circuit de dérivation individuel.
- 4) Pour votre sécurité et votre protection, cet appareil est mis à la terre par la fiche du cordon d'alimentation lorsqu'elle est branchée dans une prise murale qui lui correspond. Si vous n'êtes pas certain que votre prise de courant murale est mise à la terre adéquatement, veuillez consulter un électricien qualifié.
- 5) La prise murale doit correspondre à la fiche à 3 broches sur le cordon de service fourni avec l'appareil. N'utilisez PAS de fiches d'adaptation. Voir Tableau 2 pour les renseignements sur les prises de courant et les fusibles. S'il est nécessaire d'utiliser une rallonge électrique pour brancher votre climatiseur, utilisez une rallonge électrique approuvée pour «climatiseur», exclusivement (disponible dans la plupart des magasins locaux de quincaillerie).
- 6) La plaque signalétique sur l'appareil contient des données électriques et techniques; elle se trouve sur le côté droit de l'appareil, au-dessus du cordon d'alimentation.

**TABLEAU 1**

Circuit de distribution individuel suggéré	
Ampères de plaque d'identification 12.2	Calibre de fil AWG* 14
AWG – American Wire Gauge (Calibre de fil américain) *Basé sur le fil en cuivre à une température nominale de 104° C	

**TABLEAU 2**

Types de fusibles et de réceptacles	
Tension nominale	115
Ampères	15
Prise de courant	
Intensité de fusible	15
Fusible temporisé (ou disjoncteur de circuit)	Type fiche

**MISE EN GARDE:** Ne jamais laisser cet appareil en marche dans un endroit fermé où des personnes ou animaux qui ne peuvent pas réagir à une défectuosité de l'appareil se trouvent. Un appareil en panne peut occasionner la surchauffe extrême de cet appareil ou la mort dans un espace fermé non surveillé.



## CONSIGNES DE SÉCURITÉ IMPORTANT

### CORDON D'ALIMENTATION

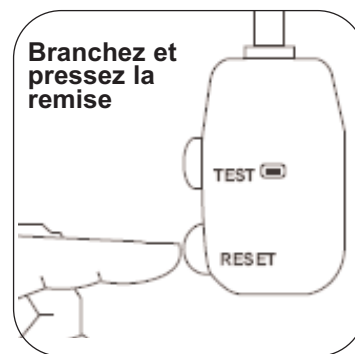
Le cordon d'alimentation fourni avec cet air conditionné contient un dispositif qui détecte les dommages au cordon. Pour tester si votre cordon d'alimentation fonctionne adéquatement, vous devez faire ce qui suit :

- 1) Branchez le cordon d'alimentation à une prise d'alimentation électrique.
- 2) Le cordon d'alimentation possède deux boutons situés sur la tête de la fiche. L'un des boutons est identifié par 'TEST' et l'autre bouton par 'RESET'. Appuyez sur le bouton 'TEST' et vous entendrez un déclic puis le bouton 'RESET' sera ressorti.
- 3) Appuyez sur le bouton 'RESET' et vous entendrez un déclic lorsque le bouton sera enfoncé.
- 4) Le cordon d'alimentation est maintenant alimenté et il fournit de l'électricité à l'air conditionné. (Sur certains produits, ceci sera aussi indiqué par une lumière sur la tête de la fiche).

NOTE: Le cordon d'alimentation fourni avec cet air conditionné contient un dispositif de détection de fuite de courant conçu pour réduire les risques d'incendie. Veuillez vous référer à la section 'Cordon d'alimentation' pour plus de détails.

Advenant le cas que le cordon d'alimentation soit endommagé, il ne peut être réparé et doit être remplacé avec un nouveau cordon provenant du fabricant.

- Ce dispositif ne devrait être utilisé sous aucune circonstance pour mettre en marche ou arrêter l'unité.
- Le bouton de 'RESET' doit toujours être enfoncé pour un fonctionnement normal.
- Le cordon d'alimentation doit être remplacé s'il ne se réinitialise pas lorsque le bouton 'TEST' est enfoncé.



### SUGGESTIONS POUR L'ÉCONOMIE DE L'ÉNERGIE

Votre appareil ménager Danby est conçu pour l'efficacité en économie de l'énergie. Pour le rendement maximal, observer les recommandations qui suivent.

- 1) Choisir un réglage du thermostat qui répond à vos besoins de confort et le laisser au réglage choisi.
- 2) Le filtre à air est très efficace pour éliminer les particules qui flottent dans l'air. Conserver le filtre à air propre en tout temps.
- 3) Utiliser des draperies, des rideaux ou des stores pour prévenir la pénétration et le réchauffement de la pièce par les rayons directs du soleil, mais ne pas permettre la restriction de la circulation d'air autour de l'unité par les draperies ou les rideaux.
- 4) Activer votre climatiseur avant que la température de l'air extérieur ne soit très chaude et inconfortable. Ceci prévient une période initiale d'inconfort avant que l'unité ne puisse refroidir la pièce. L'usage de la caractéristique de **MINUTERIE** programmable d'arrêt et de mise en marche automatique représente un important avantage à cet effet si elle est utilisée à pleine capacité.
- 5) Quand les températures externes sont suffisamment froides, placer le climatiseur hors de service et utiliser le **MODE DE VENTILATEUR** à la position **HAUTE, MOYENNE ou BAS**. Ceci fait circuler l'air à l'intérieur de la pièce pour fournir un certain confort de climatisation en utilisant moins d'électricité.

# CARACTERISTIQUES

## CONTRÔLE DE L'APPAREIL

**1) Bouton Marche/Arrêt (On/Off):** Appuyez sur ce bouton pour allumer l'appareil ou l'éteindre.

**2) Boutons Plus/Moins pour la température (Temp. Up/Down):** Pour régler la température, appuyez sur le bouton Plus (▲) ou Moins (▼) ou maintenez-le enfoncé jusqu'à ce que la température voulue soit affichée. Cette température sera maintenue automatiquement (entre 17°C et 30°C (62°F à 86°F)). Si vous souhaitez afficher la température de la pièce, lisez la section «Fonctionnement en mode Ventilateur seulement».

**3) Bouton Vitesse du ventilateur (Fan Speed):** S'utilise pour sélectionner la vitesse du ventilateur : automatique, haut, moyenne ou bas (Auto, High, Med. ou Low). La vitesse du ventilateur change chaque fois que vous appuyez sur le bouton.

**4) Bouton Mode :** Appuyez sur ce bouton pour choisir le mode de fonctionnement. Un nouveau mode est sélectionné chaque fois que vous appuyez sur le bouton: automatique, frais, ventilateur ou sec (Auto, Cool, Fan, ou Dry). Le voyant à côté du bouton Mode s'allume et reste allumé après la sélection du mode.

### Pour fonctionner en mode automatique:

• Dans ce mode, la vitesse du ventilateur ne peut pas être réglée; le ventilateur se met en marche automatiquement à une vitesse qui dépend de la température de la pièce. Si la pièce ne devient pas trop chaude, la vitesse du ventilateur restera basse.

### Pour fonctionner en mode Ventilateur seulement:

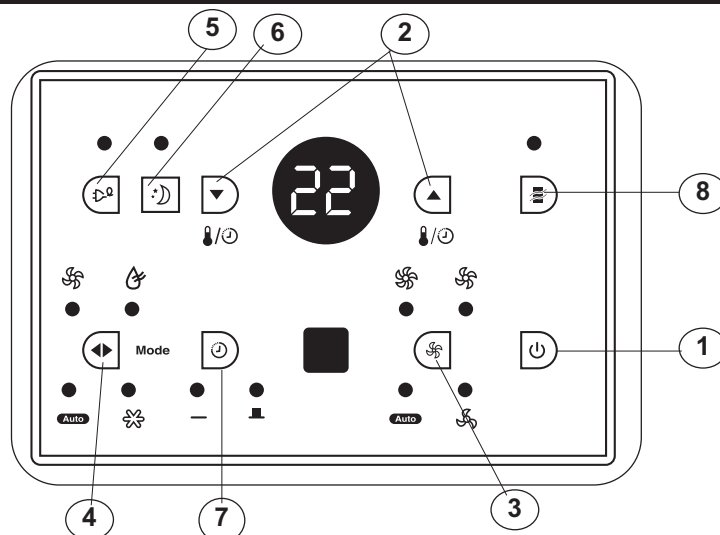
• Utilisez cette fonction lorsque vous n'avez pas besoin de la fonction de refroidissement, par exemple pour faire circuler l'air dans la pièce ou pour évacuer l'air vicié. N'oubliez pas d'ouvrir l'évent pendant cette fonction, mais gardez-le fermé pendant le refroidissement pour obtenir une efficacité maximale. Dans ce mode, vous pouvez choisir la vitesse du ventilateur que vous préférez.

**5) Bouton Économiseur d'énergie (Energy Saver):** Dans ce mode, le ventilateur continue de fonctionner pendant 3 minutes après l'arrêt du compresseur. Le ventilateur se remet ensuite en marche pendant 2 minutes toutes les 10 minutes jusqu'à ce que la température de la pièce dépasse la température pré-réglée; à ce moment-là, le compresseur se remet en marche pour commencer le refroidissement.

**6) Bouton Sommeil (Sleep):** Dans ce mode, la température sélectionnée augmentera de 2 degrés 30 minutes après la sélection du mode. Le température augmentera encore de 2 degrés après 30 minutes supplémentaires. Cette nouvelle température sera conservée pendant 7 heures, avant de revenir à la valeur initiale. Cela met fin au mode Sommeil et l'appareil continuera de fonctionner conformément à sa programmation initiale. Le programme du mode sommeil peut être annulé à n'importe quel moment en appuyant à nouveau sur le bouton Sommeil (Sleep).

**7) Bouton Minuteur (Timer) (marche/arrêt automatique):** Lorsque vous appuyez sur le bouton Minuteur (Timer), le voyant lumineux à côté du mot « On » s'allume; cela indique que le programme de mise en marche automatique est amorcé. Appuyez sur les boutons Plus (▲) ou Moins (▼) ou maintenez-les enfoncés pour modifier l'heure automatique par intervalles de 0,5 heures jusqu'à 10 heures, puis par intervalles de 1 heure jusqu'à 24 heures. La commande effectuée un compte à rebours jusqu'à l'heure du début. L'heure sélectionnée apparaît en 5 secondes et le système retourne automatiquement à l'affichage du réglage de température précédent. Le fait d'ALLUMER ou d'ÉTEINDRE l'appareil à n'importe quel moment annule la fonction de marche/arrêt automatique.

**8) Bouton Vérification du filtre (Check Filter) :** Cette fonction vous rappelle de nettoyer le filtre à air pour assurer un fonctionnement plus efficace. Le voyant DEL s'allume au bout de 250 heures de fonctionnement. Pour réinitialiser la fonction après le nettoyage du filtre, appuyez à nouveau sur le bouton Vérification du filtre (Check Filter) et le voyant s'éteindra.



## FONCTIONS SUPPLÉMENTAIRES :

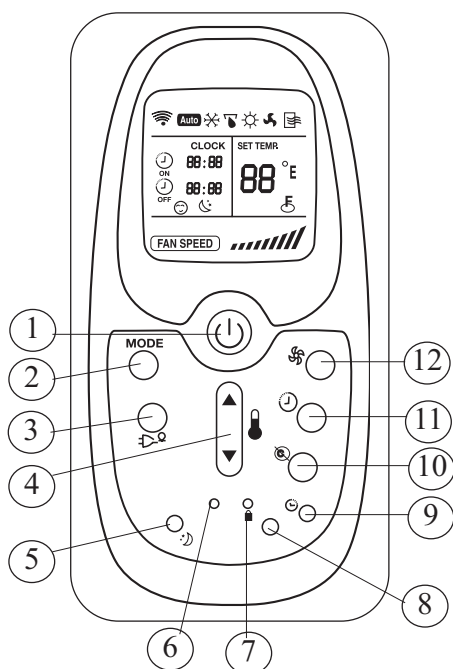
• Le circuit de refroidissement a un départ différé automatique de 3 minutes si l'appareil est éteint et rallumé rapidement. Cela empêche la surchauffe du compresseur et un déclenchement possible du coupe-circuit. Le ventilateur continue de fonctionner pendant cette période.

• La commande maintient la température réglée à 2° près entre 15°C et 32°C (60°F à 90°F)

• La commande peut afficher la température en degrés Celsius (°C) ou en degrés Fahrenheit (°F). Pour passer d'une échelle à l'autre, appuyez sur les boutons Plus ou Moins de la température et du minuteur (Up and Down Temp./Timer) au même moment et maintenez-les enfoncés pendant 3 secondes.

## CARACTERISTIQUES (suite)

### LA TÉLÉCOMMANDE



**1) Bouton Marche/Arrêt (ON/OFF):** Pousser ce bouton pour commencer et arrêter l'opération

**2) Bouton MODE:** Chaque fois vous poussez ce bouton, un mode est choisi (Auto, Frais, Sec, Chaleur, Ventilateur).

**3) Bouton Économiseur d'énergie (Energy Saver):** Cette fonction est seulement disponible dans le mode FRAIS. Poussez ce bouton et le ventilateur continuera à fonctionner pour l'encore 3 minutes après que le compresseur a coupé. Le ventilateur fait un cycle alors dessus pendant 2 minutes à 10 intervalles minute jusqu'à ce que la température ambiante soit au-dessus de la température d'ensemble, quand le système de refroidissement revient dessus.

**4) Bouton Température/Temps:** Poussez le bouton ▲ pour augmenter l'arrangement de température d'intérieur ou pour ajuster le TEMPORISATEUR dans un sens horaire. Poussez le bouton ▼ pour diminuer l'arrangement de température d'intérieur ou pour ajuster le TEMPORISATEUR dans un sens anti-horaire.

**NOTE:** Press and hold ▲ and ▼ buttons together for 3 seconds to alternate the temperature display between the °C and °F scales.

**5) SLEEP Button:** In SLEEP mode, the set temperature will increase by 2° over the next 30 minutes, and by another 2° after an additional 30 minutes. This new temperature will be maintained for 7 hours before it returns to the originally selected temperature.

**NOTE:** Le programme de mode de SOMMEIL peut être annulé à tout moment pendant l'opération en appuyant le bouton de SOMMEIL encore.

**6) Reconstituez tous les arrangements de télécommande au réglages par défaut.**

**7) Bouton de Verrouiller:** Quand vous appuyez le bouton de SERRURE, tous programmés actuels sont verrouillés dans et la télécommande n'accepte pas d'opération sauf cela de la SERRURE. Appuyer encore pour annuler le mode de SERRURE.

**8) Lumière d'affichage électronique (allumez/arrêtez)**

**9) Bouton d'horloge:** utilisé pour programmer le temps

**10) Bouton d'Annuler:**

**a) If the TIMER ON, TIMER ON/OFF or TIMER OFF/ON feature has been set, pressing the CANCEL button will override the TIMER program and turn the unit off.**

**b) If only the TIMER OFF feature has been set, pressing CANCEL will cancel the timer off setting and turn on the unit (if the unit was turned off).**

**c) Si aucune caractéristique de MINUTEUR a été programmée, appuyant l'ANNULER le bouton ne fera rien.**

**11) Bouton de Minuteur:** Ce bouton est utilisé pour régler à l'avance le temps MARCHE (l'opération de début) et le temps ARRÊT (arrête l'opération).

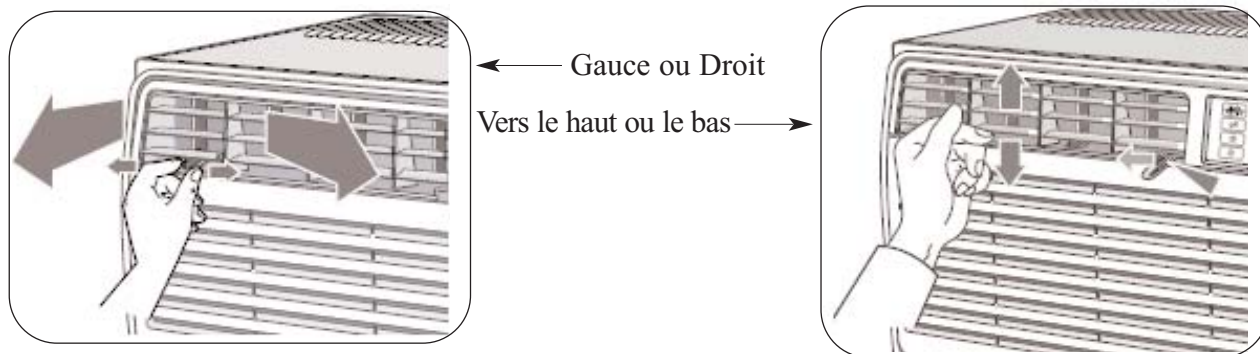
**12) Bouton de Ventilateur:** Utilisé pour choisir la Vitesse de Ventilateur ; l'Auto, Bas, Moyenne, ou Haut. Chaque fois le bouton est appuyé, le mode de vitesse de ventilateur est changé.

## CARACTERISTIQUES (suite)

### RÉGLAGE DU DÉBIT D'AIR

Les louveres orientables dans 4 directions vous permettent d'envoyer l'air vers le haut, le bas, la gauche ou la droite dans la pièce, au besoin.

**Recommandation:** Pendant le refroidissement, orientez les pales vers le haut. Si vous orientez les pales vers le bas et si l'appareil fonctionne en mode Refroidissement pendant une période prolongée, il est possible que se forme de la condensation qui coulera de la surface des pales.



## INSTALLATION

### UTILS NECESSAIRE POUR L'INSTALLATION

#### Fig. 1

- Gros tournevis à tête plate
- Clés à douilles
- Clé ajustable ou pinces
- Tournevis cruciforme
- Crayon
- Niveau
- Ruban à mesure





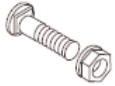

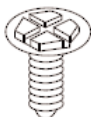


**Risque de choc électrique:** Pour éviter la possibilité de dommage corporel, déconnectez la puissance à l'unité avant l'installation ou l'entretien.

### AVANT L'INSTALLATION

- Comparez les dimensions de la fenêtre ouverte aux dimensions de votre appareil (voir Spécifications de l'unité, p. 14).
- Vérifiez l'état de la fenêtre; toutes les parties en bois de la fenêtre doivent être en bon état et en mesure de retenir solidement toutes les vis nécessaires. Si cela n'est pas le cas, effectuez les réparations nécessaires avant d'installer l'appareil.
- Vérifiez l'absence de tout élément pouvant bloquer la circulation de l'air, par exemple, à l'extérieur, des buissons, des arbres ou des auvents. À l'intérieur, assurez-vous que le mobilier, les rideaux ou les stores ne bloquent pas la circulation de l'air. (Voir Fig. 2 p. 19)
- Déballez soigneusement le climatiseur. Enlevez tous les matériaux d'emballage et vérifiez que toutes les ferrures fournies pour l'installation sont présentes.

Fig. 1 MATÉRIELS DE L'INSTALLATION

	Vis de blocage de 7/16 po et rondelle plate pour les panneaux de la fenêtre	2 chacun
	Vis à tête hexagonale de 3/4 po de longueur	4
	Loquet de sécurité	1
	Vis de 1/2 po de longueur et contre-écrou	4 chacun
	Boulon à tête plate de 3/4 po de longueur et contre-écrou	2 chacun
	Support d'angle pour appui de fenêtre	2
	Vis de blocage à tête hexagonale de 5/6 po de longueur pour le dispositif de retenue latéral d'angle supérieur.	10

## INSTALLATION (suite)

### ENDROIT

**A)** Ce climatiseur pour chambre a été conçu pour être installé facilement dans une fenêtre à châssis à guillemette simple ou double. Cependant, comme le design de la fenêtre peut varier, il peut être nécessaire d'y faire quelques modifications pour une installation sécuritaire et appropriée.

**B)** Pour un maximum d'efficacité, installez le climatiseur sur le côté de la maison ou de l'immeuble qui se trouve plus souvent à l'ombre qu'au soleil. Si l'appareil est directement sous les rayons du soleil, il est recommandable d'installer un auvent pour protéger l'unité.

**C)** Laissez suffisamment d'espace libre autour du cabinet pour permettre une ample circulation d'air à travers l'appareil. Voir Fig. 2. L'arrière de l'appareil doit donner sur l'extérieur de la maison et non pas dans un garage ou à l'intérieur d'un immeuble. Tenez l'appareil aussi loin que possible de tout obstacle ou obstruction et à au moins 30 po au-dessus du plancher ou du sol. Il ne faut pas que les rideaux ou d'autres objets à l'intérieur de la pièce puissent bloquer le flux d'air.

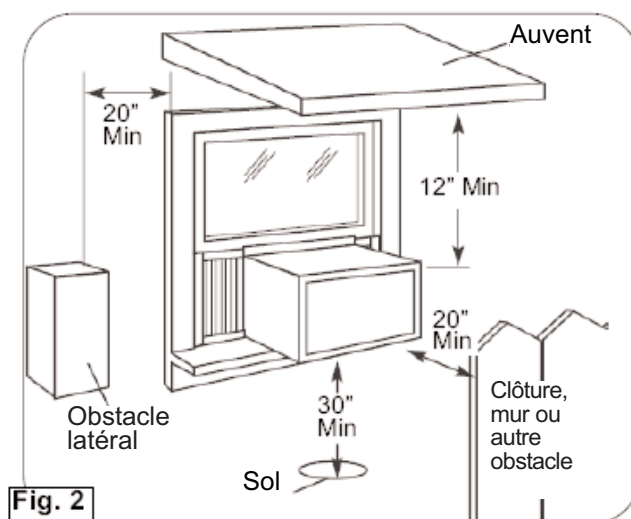
**D)** Assurez-vous que la prise électrique appropriée se trouve à la portée de l'installation. N'utilisez qu'un circuit à prise unique calculé à 15 ampères. Tout le câblage doit être conforme aux codes électriques locaux et nationaux.

**Remarque:** Cet appareil N'EST PAS conçu pour des fenêtres verticales (à glissière horizontale) ou pour être installé dans le mur. Conservez le carton d'expédition et les matériaux d'emballage pour ranger ou transporter l'appareil ultérieurement. Sortez du carton le sac en plastique contenant les ferrures nécessaires pour l'installation de votre climatiseur. Comparez le contenu du sac de ferrures à la liste de vérification de votre modèle avant de commencer l'installation de l'appareil (voir Fig. 1 p. 18).

**ATTENTION:** Le compresseur étant situé sur le côté de l'appareil où se trouvent les commandes, ce côté de l'appareil est plus lourd et plus difficile à manipuler. Un soutien insuffisant sur le côté des commandes de l'appareil peut causer des blessures et des dommages matériels et endommager votre appareil. En conséquence, nous recommandons qu'une deuxième personne vous aide à installer cet appareil.

**E)** N'installez PAS l'appareil à un endroit où on soupçonne une fuite de gaz combustibles. Votre climatiseur peut tomber en panne dans une atmosphère qui contient des huiles (y compris des huiles pour machines), des gaz sulfurés, ou s'il est près de sources d'eau chaude, etc.

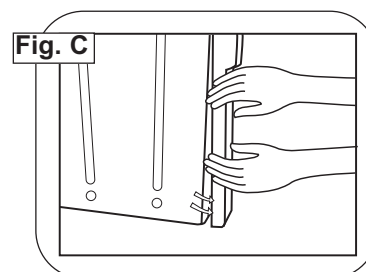
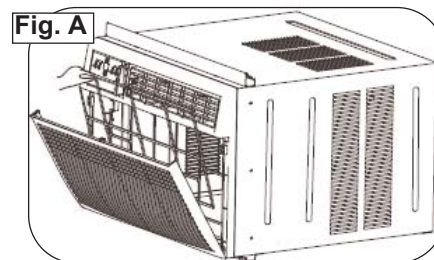
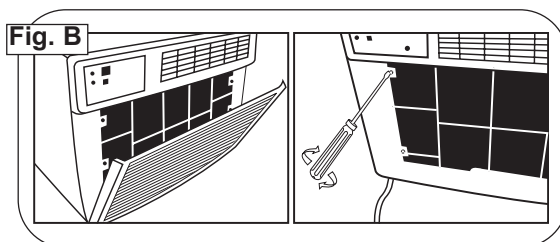
Votre appareil a été conçu pour que la condensation s'évapore dans des conditions normales. Cependant, en présence d'une humidité extrême, un surplus de condensation peut provoquer un débordement de la cuvette de base vers l'extérieur. L'appareil doit être installé de telle sorte que l'écoulement de la condensation ne se déverse pas sur des passants ou sur des propriétés avoisinantes



### FIXATION DANS LA FENÊTRE

#### 1 Enlèvement du bâti :

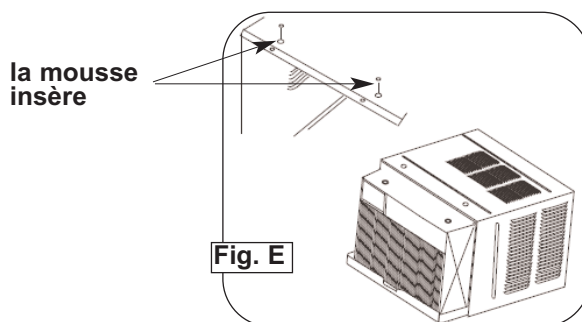
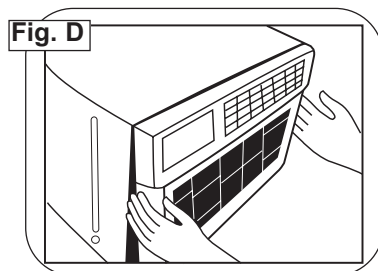
- 1) Tirez le panneau avant vers le bas et enlevez le filtre (voir Fig. A)
- 2) Tirez vers le haut le panneau avant et mettez-le de côté.
- 3) Trouvez les quatre (4) vis avant et enlevez-les (Fig B). Ces vis serviront à réinstaller le panneau avant plus tard.
- 4) Enlevez le panneau avant des parois du caisson en faisant levier Fig.C.



# INSTALLATION (suite)

## 1 Enlèvement du bâti (suite)

- 5) Soulevez doucement avant outre de l'unité et le placez à un côté (Voir Fig. D)
- 6) Enlevez les vis d'expédition du dessus de l'unité et également du côté par la base s'installé.
- 7) Tenez le bâti tout en tirant sur la poignée basse, et enlevez soigneusement le climatiseur de le bâti.
- 8) Ajoutez deux insertions de mousse aux trous dans le dessus de le bâti d'où des vis deexpédition ont été enlevées (Fig. E).
- 9) Votre unité peut venir avec l'emballage interne. Ceci qui empaquette doit être enlevé avant d'installer le climatiseur de nouveau dans le bâti.

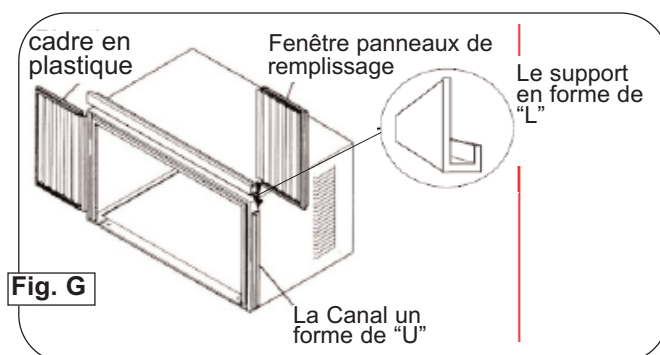
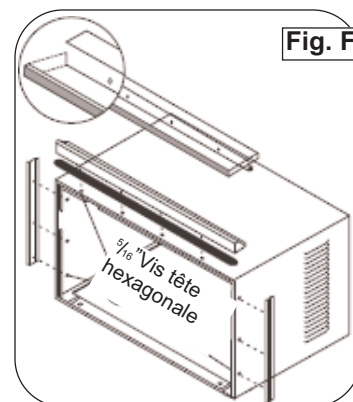


## 2 Installer l'angle au-dessus et support côté

- 1) Attacher le joint de mousse pour dépasser l'angle au-dessus des trous selon Fig. F.
- 2) Installer l'angle au-dessus et latéral de retenue au cabinet selon Fig. F.

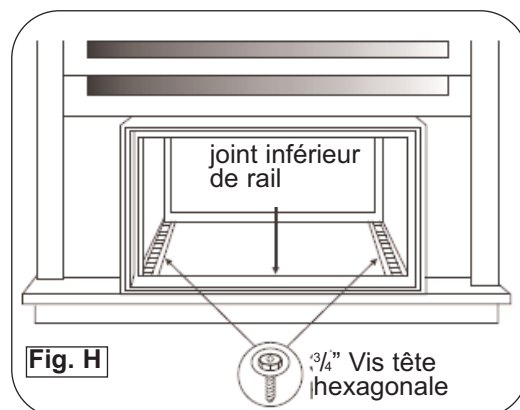
## 3 Assembler la Fenêtre Panneaux de remplissage

- 1) Placer le cabinet sur le plancher, un banc, ou une table.
- 2) Glisser la fenêtre le cadre de panneau de remplissage dans le sommet (en forme de L) et le fond (en forme d'U) les chaînes. Les volets sont identifiés (sur le cadre) comme gauche et la droite.
- 3) La tête de rondelle d'insertion verrouillant des vis (2) dans les trous dans la première jambe de cadre de panneau de remplissage. Ne pas entièrement resserrer. Permettre à la jambe pour glisser librement. Les vis seront resserrées plus tard.



## 4 Installez l'angle au-dessus et support côté

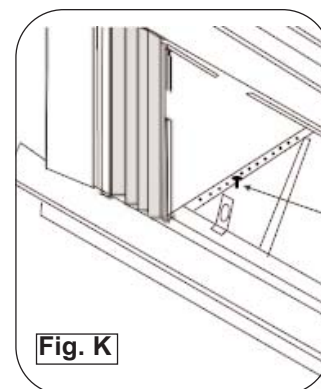
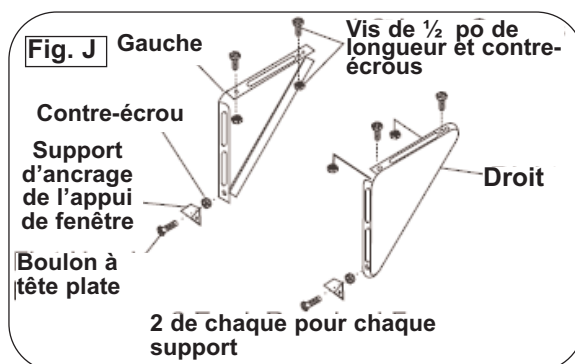
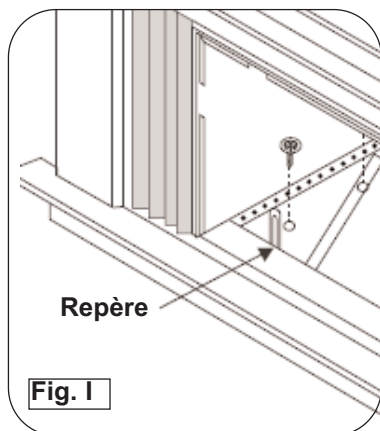
- 1) Ouvrez la fenêtre et marquez le centre du filon-couche de fenêtre.
- 2) Placez le cabinet dans la fenêtre avec le canal inférieur de « U » de le cabinet fermement posé au-dessus du filon-couche de fenêtre. Réduisez la fenêtre temporairement derrière le dessus « L » support pour tenir le cabinet en place.
- 3) Décalez le cabinet laissé ou droit en tant que nécessaire d'aligner le centre du cabinet sur la ligne centrale marquée sur le filon-couche de fenêtre.
- 4) Attachez le cabinet au filon-couche de fenêtre avec 2 vis (vous pouvez vouloir perforer des trous).
- 5) Ajoutez le joint inférieur de rail au-dessus des vis au filon-couche de fenêtre. See Fig. H



## INSTALLATION (suite)

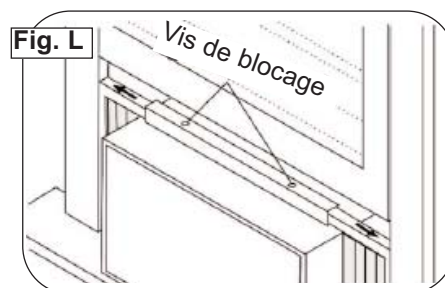
### 5 Installation du support

- 1) Tenez chaque support au ras de l'extérieur de l'appui de fenêtre, et fixez-le contre le bas du caisson, tel qu'illustré dans la **Fig. I**. Tracez un repère pour les supports au niveau supérieur de l'appui de fenêtre, puis enlevez-les.
- 2) Assemblez le support d'ancrage de l'appui de fenêtre avec les pieds de support extérieurs sur la position marquée, tel qu'illustré dans la **Fig. J**. Serrez à la main, mais de manière à ce que des changements puissent être apportés ultérieurement.
- 3) Installez les supports (sur lesquels les supports d'ancrage de l'appui de fenêtre sont fixés) dans le bon orifice dans le bas du caisson, tel qu'illustré dans la **Fig. K**.
- 4) Serrez à fond les 6 boulons.



### 6 Déployez les panneaux de calage de la fenêtre

- 1) Étendre des panneaux pour remplir l'ouverture de fenêtre complètement. Obtenir le serre-joint de volet sur chaque côté du (supérieur) le volet et obtient au rebord de fenêtre utilisant une 7/16in.(11.1mm) verrouillant & la rondelle plate sur chaque côté. (Fig.L)
- 2) Attacher la serrure de cadre au rebord de fenêtre utilisant une 1-3/16in. (20mm) vis sur chaque côté (Fig. L).

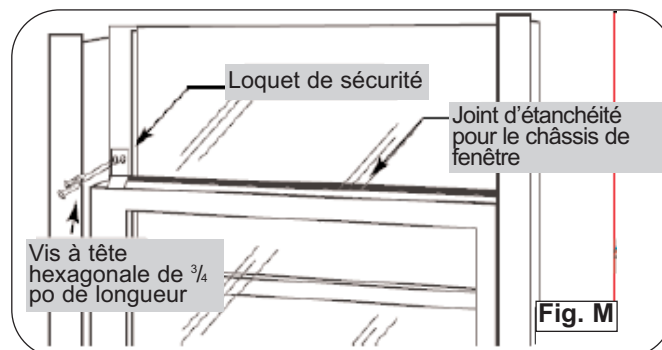


### 7 Installation du loquet et du joint d'étanchéité du châssis de fenêtre

- 1) Coupez le joint d'étanchéité du châssis de fenêtre selon la largeur de la fenêtre. Insérez-le dans l'espace entre le châssis supérieur et le châssis inférieur (**Fig. M**).
- 2) Fixez le loquet de sécurité à angle droit tel qu'illustré dans la **Fig. M**.

### 8 Installez le bâti dans le caisson et posez le panneau avant sur l'appareil

- 1) Soulevez le climatiseur et glissez-le avec précaution dans le caisson, en laissant dépasser 6 po.
- 2) **N'APPUYEZ PAS** sur les commandes ou les serpentins.
- 3) Assurez-vous que le bâti est bien logé vers l'arrière du caisson.
- 4) L'installation du panneau avant est l'inverse de son enlèvement, décrit dans la section 1 («Enlèvement du bâti»).



---

## SOINS ET ENTRETIEN

---

**⚠ MISE EN GARDE:** Avant de procéder à l'entretien du climatiseur, assurez-vous de tourner le bouton de sélection en position "ARRÊT" et débranchez le cordon d'alimentation de la prise électrique.

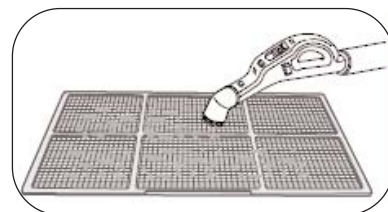
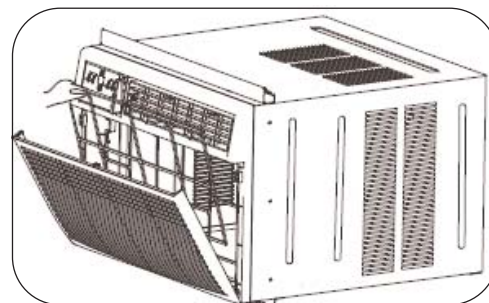
- 1) N'utilisez PAS de l'essence, un produit chimique, diluant ou autre sur un climatiseur, car ces substances peuvent endommager la finition de la peinture et déformer des pièces en plastique.
- 2) N'essayez jamais de verser de l'eau directement sur le climatiseur, car cela provoque une détérioration de l'isolation électrique.

### LE NETTOYAGE DU FILTRE À AIR

**⚠ MISE EN GARDE:** Ne jamais fonctionner cette unité sans le filtre à air à sa place, comme ceci peut avoir pour résultat des dommages à l'unité.

Il faut vérifier le filtre à air au moins une fois par mois pour voir s'il est nécessaire de le nettoyer. Les particules piégées par le filtre peuvent s'accumuler et causer du givre sur les serpentins de refroidissement.

- Poussez sur la poignée de l'évent pour la mettre sur la position fermée.
- Ouvrez le panneau avant.
- Prenez le filtre et tirez vers le haut puis vers l'extérieur pour le sortir.
- Lavez le filtre au moyen d'un liquide à vaisselle et d'eau chaude. Rincez le filtre à fond.
- Secouez doucement le filtre pour enlever l'excès d'eau. Assurez-vous que le filtre est complètement sec avant de le remettre en place.
- Vous pouvez également utiliser un aspirateur pour nettoyer le filtre.



**REMARQUE :** n'utilisez jamais d'eau dont la température est supérieure à 40°C (104°F) pour nettoyer le filtre à air.

### NETTOYAGE DU CAISSON

- Assurez-vous de débrancher le climatiseur afin d'éliminer les risques de choc ou d'incendie. Le caisson et le devant peuvent être époussetés au moyen d'un chiffon sans huile ou lavés au moyen d'un chiffon doux trempé dans une solution d'eau chaude et de liquide à vaisselle doux. Rincez à fond et essuyez pour sécher.
- Assurez-vous d'essorer le chiffon avant d'essuyer autour des commandes. Un excédent d'eau dans les commandes ou autour de celles-ci peut endommager le climatiseur.

### ENTREPOSAGE PENDANT L'HIVER

Si vous prévoyez d'entreposer le climatiseur pendant l'hiver, enlevez-le soigneusement de la fenêtre en suivant les instructions d'installation. Recouvrez-le d'une feuille de plastique ou remettez-le dans son carton d'origine. Rangez toujours l'appareil en position verticale.



## DÉPANNAGE

De temps en temps, un problème peut se poser qui est mineur, et une intervention peut ne pas être nécessaire. Employez ce guide de dépannage pour une solution possible. Si l'unité continue à fonctionner incorrectement, demandez un dépôt autorisé de service ou le numéro de appel sans frais Danby pour l'aide.

PROBLEME	CAUSE PROBABLE	SOLUTION
<ul style="list-style-type: none"> <li>L'appareil ne fonctionne pas</li> </ul>	<ul style="list-style-type: none"> <li>Panne de courant</li> <li>L'appareil n'est pas branché correctement</li> <li>Le coupe-circuit est déclenché.</li> <li>La commande est sur Arrêt (Off)</li> </ul>	<ul style="list-style-type: none"> <li>Attendez que le courant soit rétabli</li> <li>Branchez l'appareil correctement</li> <li>Appuyez sur le bouton Réinitialisation (Réset) après avoir résolu le problème</li> <li>Mettez la commande sur la position Marche et réglez la valeur désirée</li> </ul>
<ul style="list-style-type: none"> <li>L'air sortant de l'appareil ne semble pas assez froid</li> </ul>	<ul style="list-style-type: none"> <li>Température de la pièce inférieure à 17 °C (62 °F)</li> <li>Le capteur de température touche le serpentín de refroidissement (derrière le filtre à air)</li> <li>La température est réglée à une valeur trop élevée</li> <li>Le compresseur est arrêté lors du changement de modes</li> </ul>	<ul style="list-style-type: none"> <li>Ne refroidit pas tant que la température de la pièce n'est pas supérieure à 17 °C (62 °F)</li> <li>Redressez le tube pour l'éloigner du serpentín.</li> <li>Réglez à une température inférieure.</li> <li>Attendez environ 3 minutes et écoutez afin de vous assurer que le compresseur redémarre en mode Refroidissement.</li> </ul>
<ul style="list-style-type: none"> <li>Le climatiseur refroidit la pièce, mais la pièce est trop chaude - formation de givre sur le serpentín de refroidissement, derrière le panneau avant décoratif.</li> </ul>	<ul style="list-style-type: none"> <li>Température extérieure inférieure à 17 °C (62 °F)</li> <li>Le filtre à air est peut-être sale</li> <li>Le thermostat est réglé à une valeur trop basse pour refroidir pendant la nuit.</li> </ul>	<ul style="list-style-type: none"> <li>Pour dégivrer le serpentín, mettez l'appareil en mode VENTILATION SEULEMENT</li> <li>Nettoyez le filtre conformément aux instructions</li> <li>Réglez la température à une valeur plus élevée</li> </ul>
<ul style="list-style-type: none"> <li>Le climatiseur refroidit la pièce, mais la pièce est trop chaude - AUCUNE formation de givre sur le serpentín de refroidissement, derrière le panneau avant décoratif.</li> </ul>	<ul style="list-style-type: none"> <li>Le filtre à air est sale – la circulation de l'air est restreinte</li> <li>La température est réglée à une valeur trop élevée</li> <li>Les louveres d'air sont mal positionnés</li> <li>Obstruction de l'avant de l'appareil (p. ex., par des rideaux), ce qui restreint la circulation de l'air.</li> <li>Les portes, les fenêtres ou les grilles à registre sont ouvertes, ce qui fait que l'air froid s'échappe.</li> <li>L'appareil vient d'être mis en marche dans une pièce chaude.</li> </ul>	<ul style="list-style-type: none"> <li>Nettoyez le filtre à air</li> <li>Réglez la température à une valeur plus basse</li> <li>Orientez les louveres de manière à obtenir une meilleure répartition de l'air.</li> <li>Enlevez les obstructions devant l'appareil</li> <li>Fermez les portes, les fenêtres et les grilles à registre.</li> <li>Laissez plus de temps pour l'élimination de la « chaleur emmagasinée » de la pièce</li> </ul>
<ul style="list-style-type: none"> <li>Le climatiseur se met en marche et s'arrête rapidement.</li> </ul>	<ul style="list-style-type: none"> <li>Le filtre à air est sale – la circulation de l'air est restreinte</li> <li>La température extérieure est extrêmement chaude.</li> </ul>	<ul style="list-style-type: none"> <li>Nettoyez le filtre à air.</li> <li>Réglez la vitesse du ventilateur à une valeur plus élevée afin que l'air passe entre les serpentíns de refroidissement plus souvent.</li> </ul>
<ul style="list-style-type: none"> <li>L'appareil est bruyant en mode Refroidissement.</li> </ul>	<ul style="list-style-type: none"> <li>Sons causés par la circulation de l'air</li> <li>Vibration des fenêtres</li> </ul>	<ul style="list-style-type: none"> <li>Cela est normal. Si le bruit est trop fort, réglez le ventilateur à une vitesse moins élevée.</li> <li>Mauvaise installation - consultez les instructions d'installation ou l'installateur.</li> </ul>
<ul style="list-style-type: none"> <li>De l'eau dégoutte À L'INTÉRIEUR lorsque l'appareil refroidit.</li> </ul>	<ul style="list-style-type: none"> <li>Installation incorrecte</li> </ul>	<ul style="list-style-type: none"> <li>Inclinez le climatiseur légèrement vers l'extérieur pour permettre à l'eau de s'écouler.</li> </ul>
<ul style="list-style-type: none"> <li>De l'eau dégoutte À L'EXTÉRIEUR lorsque l'appareil refroidit.</li> </ul>	<ul style="list-style-type: none"> <li>L'appareil élimine de grandes quantités d'humidité d'une pièce humide.</li> </ul>	<ul style="list-style-type: none"> <li>C'est normal par temps très humide.</li> </ul>
<ul style="list-style-type: none"> <li>Le capteur à distance se désactive trop rapidement.</li> </ul>	<ul style="list-style-type: none"> <li>La télécommande est hors de portée.</li> <li>Le signal de la télécommande est bloqué.</li> </ul>	<ul style="list-style-type: none"> <li>Placez la télécommande dans un rayon de 20 pi et 180° de l'avant de l'appareil.</li> <li>Enlevez les obstructions.</li> </ul>
<ul style="list-style-type: none"> <li>La pièce est trop froide.</li> </ul>	<ul style="list-style-type: none"> <li>La température est réglée à une valeur trop basse.</li> </ul>	<ul style="list-style-type: none"> <li>Augmentez la température pré-réglée.</li> </ul>

# Danby Premiere®

Model • Modèle  
**DAC15009EE**

For service, contact your  
nearest service depot or call:

1-800-26- **Danby**<sup>®</sup>  
(1-800-263-2629)

to recommend a depot in your  
area.

Pour obtenir le service,  
consultez votre centre de service le  
plus rapproché ou composez le:

1-800-26- **Danby**<sup>®</sup>  
(1-800-263-2629)

vous recommandera un  
centre régional.

## Air Conditioner

The model number can be found on the serial plate located on the back panel of the unit.

All repair parts available for purchase or special order when you visit your nearest service depot. To request service and/or the location of the service depot nearest you, call the TOLL FREE NUMBER.

When requesting service or ordering parts, always provide the following information:

- Product Type
- Model Number
- Part Number
- Part Description

## Climatiseur

Le numéro de modèle se trouve sur la plaque d'information sur le panneau arrière de l'appareil.

Toutes les pièces de rechange ou commandes spéciales sont disponibles à votre centre de service régional autorisé.

Pour obtenir le service et/ou la localité de votre centre de service régional, signalez le NUMÉRO D'APPEL SANS FRAIS. Ayez les renseignements suivants à la portée de la main lors de la commande de pièce ou service :

- Type de produit
- Numéro de modèle
- Numéro de pièce
- Description de la pièce

Danby Products Ltd, PO Box 1778, Guelph, Ontario Canada N1H 6Z9  
Danby Products Inc, PO Box 669, Findlay, Ohio USA 45839-0669