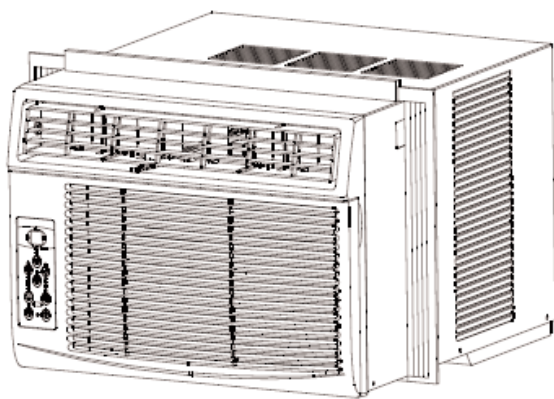




# Owner's Use and Care Guide Guide d'utilisation et soins de Propriétaire

**Model • Modèle**

**DAC8010E, DAC10010E, DAC12010E**



**CAUTION:**  
Read and follow all  
safety rules and  
operating instructions  
before first use  
of this product.

**MISE EN GARDE :**  
Veuillez lire  
attentivement les  
consignes de sécurité  
et les directives  
d'utilisation avant  
l'utilisation initiale de  
ce produit.

## **AIR CONDITIONER**

### **Owner's Use and Care Guide**

..... 1 - 10

- Welcome
- Part Identification
- Important Safety Information
- Installation
- Operating Instructions
- Care and Maintenance
- Troubleshooting
- Warranty

## **CLIMATISEUR**

### **Guide d'utilisation et soins de Propriétaire**

..... 11 - 20

- Bienvenue
- Consignes de Sécurité Importantes
- Installation
- Consignes d'utilisation
- Soins et Entretien
- Dépannage
- Garantie

**KEEP THESE INSTRUCTIONS FOR FUTURE REFERENCE:  
If the air conditioner changes ownership, be sure this manual accompanies the unit.  
CONSERVER CES INSTRUCTIONS POUR CONSULTATION ULTÉRIEURE:  
En cas de revente du climatiseur, ce manuel doit être inclus avec l'appareil.**

---

## WELCOME

---

Thank you for choosing a Danby Room Air Conditioner to cool your home. This Owner's Use and Care Guide will provide you with valuable information necessary for the proper care and maintenance of your new appliance. If properly maintained, your Danby appliance will give you many years of trouble free operation. Please take a few moments to read the instructions thoroughly and familiarize yourself with all of the operational aspects of this appliance.

**NOTE: This unit is NOT designed for "Through-the-wall" installation.**

For easy reference, may we suggest you attach a copy of your sales slip/receipt to this page, along with the following information, located on the manufacturers nameplate on the rear panel of the unit.

Model Number: \_\_\_\_\_

Serial Number: \_\_\_\_\_

Date of Purchase: \_\_\_\_\_

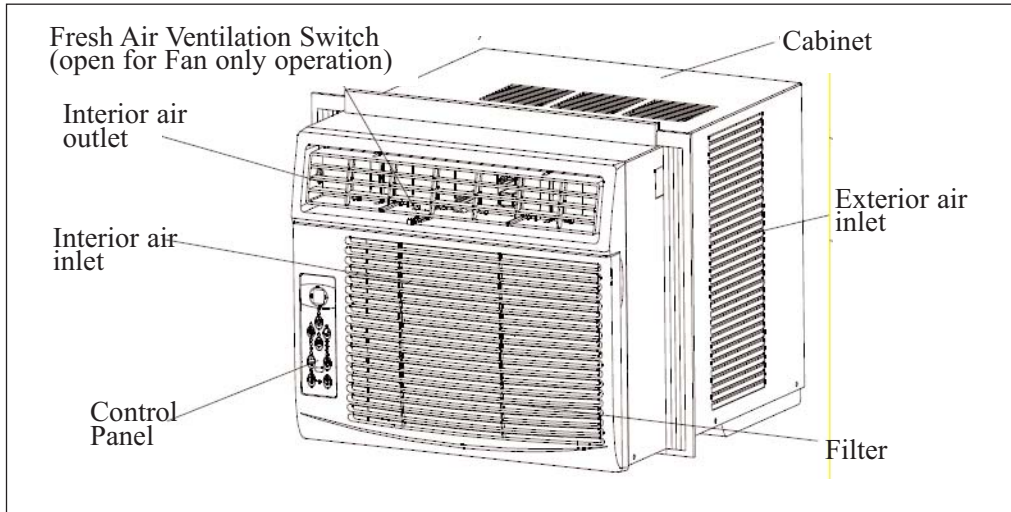
This information will be necessary if your unit requires servicing and/or for general inquiries. To contact a Customer Service Representative, call Danby TOLL FREE:

**1-800-26-Danby® (1-800-263-2629)**



**CAUTION:** Do not leave a room air conditioner unattended in a room where people or animals who cannot react to a failed unit are located. A failed unit can cause extreme overheating and fire in an enclosed, unattended space.

## PART IDENTIFICATION



## IMPORTANT SAFETY INFORMATION

*READ ALL SAFETY INFORMATION BEFORE USING*

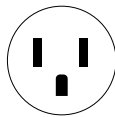
### ELECTRICAL SPECIFICATIONS

- 1) All wiring must comply with local and national electrical codes and must be installed by a qualified electrician. If you have any questions regarding the following instructions, contact a qualified electrician.
- 2) Check available power supply and resolve any wiring problems BEFORE installing and operating this unit.
- 3) This 115V air conditioner uses 10 or less nameplate amps and may be used in any properly wired, general purpose household receptacle. See Table 1 for specifications for individual branch circuit.
- 4) For your safety and protection, this unit is grounded through the power cord plug when plugged into a matching wall outlet. If you are not sure whether your wall outlet is properly grounded, please consult a qualified electrician.
- 5) The wall outlet must match the 3-prong plug on the service cord supplied with the unit. DO NOT use plug adapters. See Table 2 for receptacle and fuse information. If it is necessary to use an extension cord to connect your air conditioner, **use an approved "air conditioner" extension cord only** (available at most local hardware stores).
- 6) The rating plate on the unit contains electrical and other technical data. The rating plate is located on the right side of the unit, above the power cord.

**TABLE 1**

Suggested Individual Branch Circuit	
Nameplate Amps	*AWG Wire Size
4.9 to 10	14
AWG- American Wire Gauge	
*Based on copper wire at 60°C temperature rating.	

**TABLE 2**

Receptacle and Fuse Types	
Rated Volts	125
Amps	15
Wall Outlet	
Fuse Size	15
Time Delay Fuse (or Circuit Breaker)	Plug Type

## IMPORTANT SAFETY INFORMATION

### ENERGY- SAVING TIPS

Your Danby appliance is designed to be highly efficient in energy savings. Follow these recommendations for greater efficiency.

- 1) Select a thermostat setting that suits your comfort needs and leave at that chosen setting.
- 2) The filter is very efficient in removing airborne particles. Keep the air filter clean. Normally, filters should be cleaned every 2 weeks. More frequent cleaning may be necessary depending on indoor air quality.
- 3) Use drapes, curtains or shades to keep direct sunlight from penetrating and heating room, but do not allow drapes or curtains to obstruct the air flow around the unit.
- 4) Start your air conditioner before the outdoor air becomes hot and uncomfortable, to avoid an initial period of discomfort while the unit is cooling off the room.
- 5) When outdoor temperatures are cool enough, use **HIGH** or **LOW FAN** only. This circulates indoor air, providing some cooling comfort, and utilizes less electricity than when operating on a cooling setting.

## INSTALLATION



**ELECTRIC SHOCK HAZARD:** To avoid the possibility of personal injury, disconnect power to the unit before installing or servicing.

### TOOLS NEEDED FOR INSTALLATION:

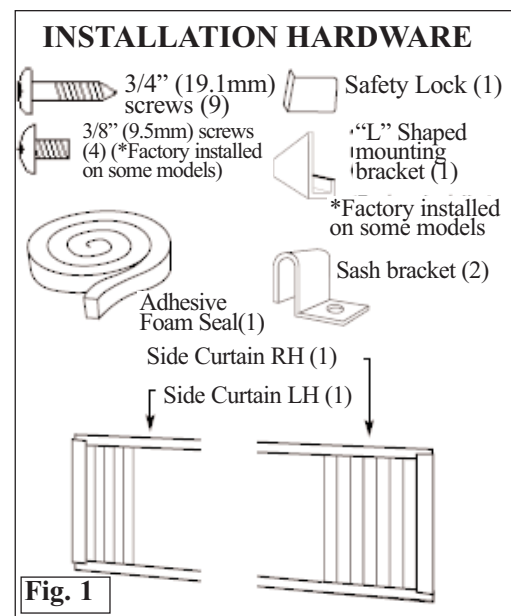
**Screw Drivers:** Both Phillips and flat head  
**Power Drill:** 1/8 inch (3.2mm) diameter drill bit  
**Pencil**                      **Scissors**  
**Measuring Tape**        **Carpenters Level**

Your Room Air Conditioner is designed for easy installation in a single or double-hung window. This unit is **NOT** designed for vertical (slider type) windows and/or through-the-wall applications.

**NOTE:** Save the shipping carton and packing materials for future storage or transport of the unit. From carton, remove the plastic bag containing the installation hardware kit necessary for the installation of your air conditioner. Please check the contents of hardware kit against the corresponding model check list, prior to installation of the unit. See Fig. 1.



**CAUTION:** Because the compressor is located on the controls side of the unit (left side), this side will be heavier and more awkward to manipulate. Inadequate support on control side of the unit can result in personal injury and damage to your unit and property. Therefore, it is recommended that you have someone assist you during the installation of this unit.



**NOTE:** Your unit is designed to evaporate condensation under normal conditions. However, under extreme humidity conditions, excess condensation may cause basepan to overflow to the outside. The unit should be installed where condensation run-off cannot drip on pedestrains or neighboring properties

# INSTALLATION

## LOCATION

- A) This room air conditioner is designed to fit easily into a single or double hung window. However, since window designs vary, it may be necessary to make some modifications for safe, proper installation.
- B) Make sure window and frame are structurally sound and free from dry and rotted wood.
- C) For maximum efficiency, install the air conditioner on a side of the house or building which favours more shade than sunlight. If the unit is in direct sunlight, it is advisable to provide an awning over the unit.
- D) Provide sufficient clearance around the cabinet to allow for ample air circulation through the unit (See Fig. 2). The rear of the unit should be outdoors and not in a garage nor inside a building. Keep unit as far away as possible from obstacles/obstructions and at least 30" above the floor or ground. Curtains and other objects within a room should be prevented from blocking the air flow.

Be certain the proper electrical outlet is within reach

of the installation. Use only a single outlet circuit rated at 15 amps. All wiring should be in accordance with local and national electrical codes.

- F) **DO NOT** install unit where leakage of combustible gas is suspected. Your air conditioner may fail to operate in air containing oils (including machine oils), sulfide gas, near hot springs, etc.

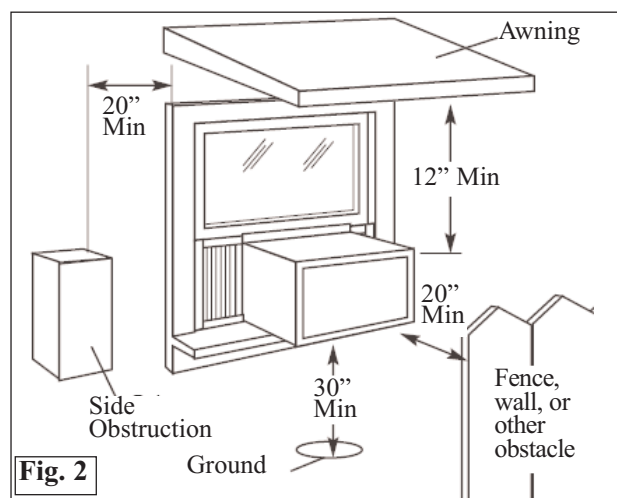


Fig. 2

## INSTALLATION INSTRUCTIONS

### 1) Assembly of the Upper Channel to Cabinet.

- "L" Shaped Top Channel: Install the "L" shaped channel to the top of the cabinet as shown in Fig. 3, using four (4) 3/8" screws.

### 2) Assembly of the Side Curtains to Cabinet.

- Extend the shutter from the shutter frame and slide it into the shutter tabs on the side channel of the air conditioner, as shown in Fig. 4.
- Slide the shutters into the top ("L" Shaped) and bottom ("U" Shaped) channels. The shutters are identified (on frame) as left and right.

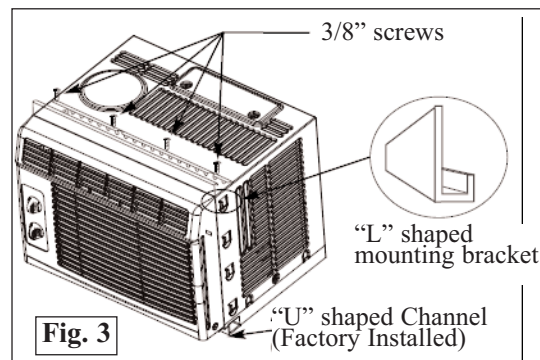


Fig. 3

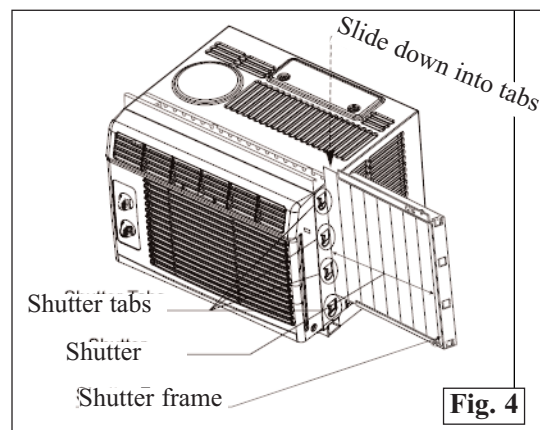


Fig. 4

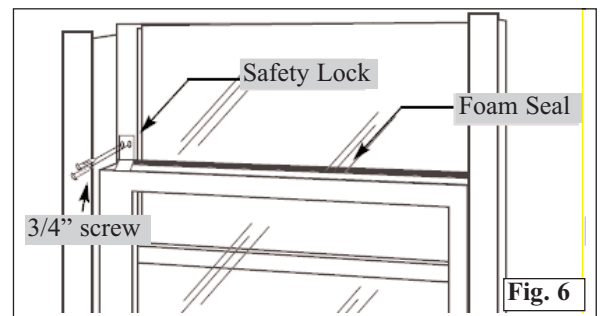
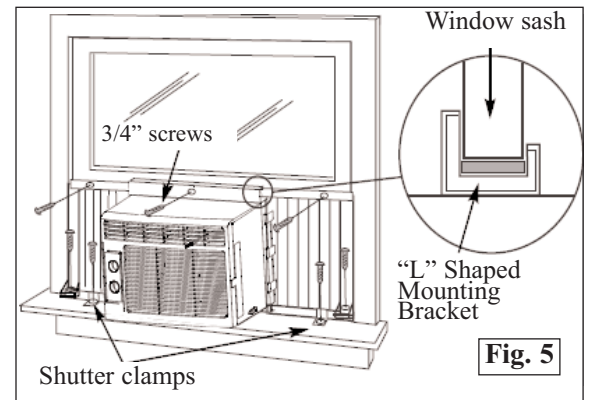
## INSTALLATION (cont'd)

### INSTALLATION INSTRUCTIONS (cont'd)

#### 3) Completing the Installation

- Cut the foam (non adhesive) sealing strip to fit the area of the window sill that the air conditioner will rest on.
- Carefully place the air conditioner into the window with the “L” shaped mounting bracket (on top) positioned in front of the upper window sash. The bottom of the cabinet should be positioned on the “recessed” portion of the window frame. Pull the window down until it rests just behind the front flange of the (top) “L” shaped mounting bracket (See Fig. 5).
- Expand the shutter frames (fully) on each side and secure the top of the frames to the window sash using one 3/4” screw on each side and one in the “L” shaped mounting bracket (Fig. 5).
- Secure the shutter clamp on each side of the (lower) shutter and secure to window sill using one 3/4” screw on each side (Fig. 5).
- Place the second foam sealing strip to fit the opening between the inside and outside windows, then attach the safety lock to the outside window frame using one 3/4” screw (See Fig. 6).

**PLEASE NOTE:** Window applications come in a variety of different styles. Therefore, it may be necessary to modify or improvise your particular installation.





# OPERATING INSTRUCTIONS

## KEY PAD FEATURES

**LED DISPLAY:** Displays the following information independently; Set Temperature, Ambient Room Temperature and Auto Timer On/Off settings.

**POWER:** Turns unit On/Off.

**MODE:** Allows you to scroll through and select the desired operating mode; Cool, Dry, Fan Only and \*Auto. The selected mode will be denoted by the adjacent indicator light. \*Auto is a pre-set factory program that automatically defines the mode (Cool or Dry) and fan speed based on the set temperature.

**FAN SPEED:** Select from four different fan settings; Low, Medium, High and Auto during Cool and Fan Only mode. Please note: During 'Dry' mode the fan speed is automatically defined.

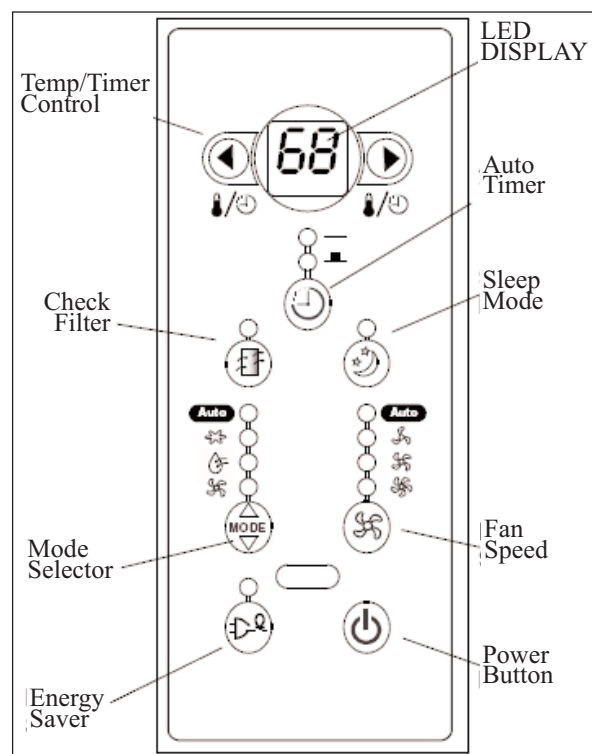
**ENERGY SAVER:** Automatically cycles the fan on and off while the compressor is not in use.

**TEMP / TIMER CONTROL:** Used to increase or decrease the Temperature setting in 1°C / °F increments, and Auto-Timer On/Off settings in 30min./1hr. increments. **Note:** This appliance allows you to select the temperature scale to be displayed in either "Celsius" or Fahrenheit" according to your preference. To change the temperature scale displayed on the electronic display, press both the "Temp/Timer" adjust arrows simultaneously to alternate between "Celsius" & "Fahrenheit".

**CHECK FILTER:** The adjacent indicator light will illuminate as a reminder to clean the air conditioner filter (see page 9). Once the filter has been cleaned and replaced, depress the Check Filter button in order to resume operation.

**SLEEP MODE:** When activated, the current set temperature is gradually increased over a one (1) hour period then maintained for seven (7) hours. Once the program is complete, the air conditioner will resume to its previous set temperature (before sleep mode was activated). This feature is meant to be used during the night time hours to prevent the room from getting too cold (while you sleep) and results in less compressor running time and reduced energy consumption. Sleep mode may be cancelled by depressing the Sleep Mode button while the program is running.

**AUTO-TIMER:** Used to initiate the Auto On/ Auto Off timer.



### While the Air Conditioner is off (Auto-On):

- 1) Press the Auto-Timer button once and the adjacent Auto-On indicator light will illuminate.
- 2) Use the Temp/Timer control cursors to select a delayed On time of up to 24 hours.
- 3) Select the appropriate mode under which you want the unit to operate (Auto-Cool-Dry-Fan Only)
- 4) Select the fan speed setting.
- 5) The time you selected will appear in the LED display.

### While the Air Conditioner is on (Auto-Off):

- 1) Press the Auto-Timer button twice and the adjacent Auto-Off indicator light will illuminate.
- 2) Use the Temp/Timer control cursors to select a delayed Off time of up to 24 hours.
- 3) The time you selected will appear in the LED display. The Auto On and Auto Off timer can operate during the same program by defining the Auto-Off parameters immediately after the Auto On parameters. The Auto-Timer may be cancelled at any time by turning the unit On/Off.

# OPERATING INSTRUCTIONS

## REMOTE CONTROL FEATURES

**Electronic Display:** Displays the following information:

**A:** Remote Control power On/Off and Mode Icons

**B:** Clock and Auto-Timer settings

**C:** Current set temperature

**D:** Fan speed setting Control Buttons

1) Power switch.

2) Mode.

3) Fan Speed.

4) Energy Saver.

5) Auto-Timer.

6) Used to increase or decrease temperature settings in 1° increments on the Celsius or Fahrenheit scale.

• **For the unit:** The control is capable of displaying temperature in degree Fahrenheit or degree Celsius. To convert from one to the other, press and hold the left and right Temp/Timer buttons at the same time for 3 seconds.

• **For the Remote Control:** The control is capable of displaying temperature in degree Fahrenheit or degree Celsius. To convert from one to the other, press and hold the up and down Temp/Timer buttons at the same time for 3 seconds.

7) Cancels current Timer ON/OFF settings.

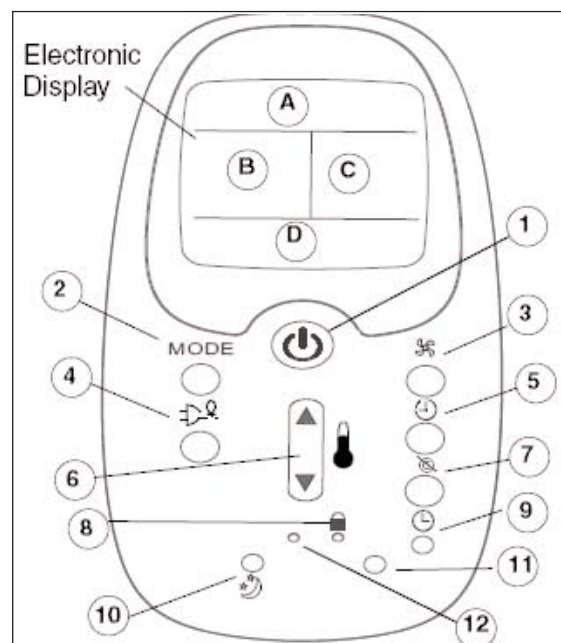
8) Lock prevents the remote control settings from inadvertently being changed.

9) **Clock:** Depress the button for 3 seconds in order to set the clock. Press the increase or decrease arrow to adjust the clock in 1 minute intervals, holding down the increase or decrease arrow will adjust the time in 10 minute intervals.

10) Used to activate the SLEEP program.

11) Toggle the LED backlight on/off.

12) Restore remote control default settings.



To operate the hand held remote control will require two “AAA” Alkaline batteries (included ).

### **BATTERIES SHOULD BE REPLACED WHEN:**

a) No signal (beep) is heard when attempting to program the main unit.

b) The main unit does not respond to a command issued by the remote control.

### **Battery replacement:**

1) Slide the rear cover on the remote in the direction of the arrow. Continue pulling (gently) until the cover separates completely from the unit.

2) Insert (2) batteries (AAA) following the same orientation (polarity) depicted inside the battery chamber (+/-).

3) Re-install rear cover.

4) If the remote control will not be used for extended periods of time (vacations etc.), batteries should be removed.

**The remote operates within a range of 8 meters (26 ft.) from the receiver located inside the main unit. Any obstruction between the receiver and remote may cause signal interference, limiting the ability to program the main unit.**



---

## CARE AND MAINTENANCE

---

### **CLEANING:**

When cleaning the air conditioner, be sure to turn the **SELECTOR** knob to the **OFF** position and **disconnect the power cord from the electrical outlet.**

- 1) **DO NOT** use gasoline, benzene, thinner, or any other chemicals to clean this unit, as these substances may cause damage to the finish and deformation of plastic parts.
- 2) Never attempt to clean the unit by pouring water directly over any of the surface areas, as this will cause deterioration of electrical components and wiring insulation.

### **AIR FILTER:**

If the air filter becomes clogged with dust, air flow is obstructed and reduces efficiency. The air filter should be cleaned every 2 weeks.

### **AIR FILTER REMOVAL:**

The air filter is located behind the air intake front grill. To remove the air filter, grasp the sides of the front grill and pull forward to open and access the filter.

To reinstall the air filter, reverse the above procedures. The air filter may be vacuumed or washed by hand in warm water. Dry thoroughly before re-installing.

### **CLEANING AIR FILTER:**

- 1) Use a vacuum cleaner with soft brush attachment
- 2) Wash the filter in lukewarm water below 40°C (104°F): To get best results, wash with soapy water or a neutral cleaning agent.

- 3) Rinse the filter with clean water and dry thoroughly before re-installing.



**IMPORTANT: DO NOT** forget to install the air filter. If the air conditioner is left to operate without the air filter, dust is not removed from the room air and may result in machine failure. When the air inlet grill and cabinet are dirty, wipe with lukewarm water (below 40°C). Use of a mild detergent is recommended.

### **END OF SEASON CARE:**

- 1) Operate the fan alone for half a day to dry out the inside of the unit.
- 2) Turn off power and remove plug from wall socket.
- 3) Clean filter.
- 4) Store (covered) air conditioner in a dry location.



**CAUTION: When installing and/or removing the air conditioner from the window, ensure that caution is taken to prevent it from falling backward. It is recommended that installation or removal of the air conditioner is done with assistance to prevent injury to persons or damage to the unit or property.**

## TROUBLESHOOTING

Occasionally, a problem may occur that is minor, and a service call may not be necessary. Use this troubleshooting guide for a possible solution. If the unit continues to operate improperly, call an authorized service depot or Danby's Toll Free Number for assistance: **1-800-26-Danby® (1-800-263-2629)**

PROBLEM	POSSIBLE CAUSE	SOLUTION
1) Air conditioner will not operate.	<ul style="list-style-type: none"> <li>• No power to the unit.</li> </ul>	<ul style="list-style-type: none"> <li>• Check connection of power cord to power source.</li> <li>• Check fuse or circuit breaker.</li> <li>• Set SELECTOR SWITCH to position other than "OFF".</li> <li>• The power cord "RESET" button must always be pushed in (engaged) for correct operation.</li> </ul>
2) Inefficient or no cooling.	<ul style="list-style-type: none"> <li>• Dirty air filter.</li> <li>• Unit size inappropriate for application</li> <li>• Blocked air flow.</li> <li>• Power interruption, settings changed too quickly, or compressor overload tripped.</li> </ul>	<ul style="list-style-type: none"> <li>• Clean/replace air filter.</li> <li>• Check with dealer to determine proper unit capacity for application.</li> <li>• Remove obstruction from grill or outdoor louvres.</li> <li>• Turn the unit off and wait 5 minutes before attempting to restart.</li> </ul>
3) Noisy unit	<ul style="list-style-type: none"> <li>• Loose parts.</li> <li>• Inadequate support.</li> </ul>	<ul style="list-style-type: none"> <li>• Tighten loose parts.</li> <li>• Provide additional support to unit.</li> </ul>
4) Odors	<ul style="list-style-type: none"> <li>• Formation of mold, mildew, or algae on wet surfaces.</li> </ul>	<ul style="list-style-type: none"> <li>• Clean unit thoroughly.</li> <li>• Place algacide tablet in base pan.</li> </ul>
5) Water dripping outside	<ul style="list-style-type: none"> <li>• Hot and humid weather.</li> </ul>	<ul style="list-style-type: none"> <li>• Condensation run-off is normal under these conditions.</li> </ul>
6) Water dripping inside	<ul style="list-style-type: none"> <li>• Unit is not properly angled to allow water to drain outside.</li> </ul>	<ul style="list-style-type: none"> <li>• Unit must be installed on an angle for proper condensation run-off. Check the unit and make any adjustments.</li> </ul>
7) Ice or frost build-up.	<ul style="list-style-type: none"> <li>• Low outside temperature</li> <li>• Unit air filter is dirty</li> </ul>	<ul style="list-style-type: none"> <li>• When outdoor temperature is approximately 18.3°C (65°F) or below, frost may form when unit is in cooling mode. Switch unit to FAN (only) operation until frost melts.</li> <li>• Remove and clean filter.</li> </ul>

### NOTES:

- 1) If circuit breaker is tripped repeatedly, or fuse is blown more than once, contact a qualified technician.
- 2) When unit is installed using proper installation steps, unit is properly tipped toward the outdoors to allow for condensation run-off.

---

## BIENVENUE

---

Nous vous remercions d'avoir choisi un climatiseur de chambre Danby pour refroidir votre logement. Ce manuel d'utilisation et d'entretien fournit les renseignements nécessaires pour prendre soin et entretenir votre nouveau climatiseur de chambre. S'il est adéquatement entretenu, votre climatiseur vous donnera de nombreuses années d'utilisation sans problème. Pour éviter toute difficulté d'installation, veuillez lire les présentes instructions, complètement, avant d'installer et de faire fonctionner votre appareil.

**REMARQUE: Cet appareil n'a PAS été conçu pour une installation à travers une paroi.**

À titre de référence, vous pouvez agraffer à cette page une copie de votre fiche d'achat de l'appareil. Inscrivez les renseignements suivants fournis (sur la plaque signalétique du fabricant sur le côté droit de l'appareil au-dessus du cordon d'alimentation). Vous aurez besoin de ces renseignements si vous contactez un représentant du Service à la clientèle.

Numéro de modèle: \_\_\_\_\_

Numéro de série : \_\_\_\_\_

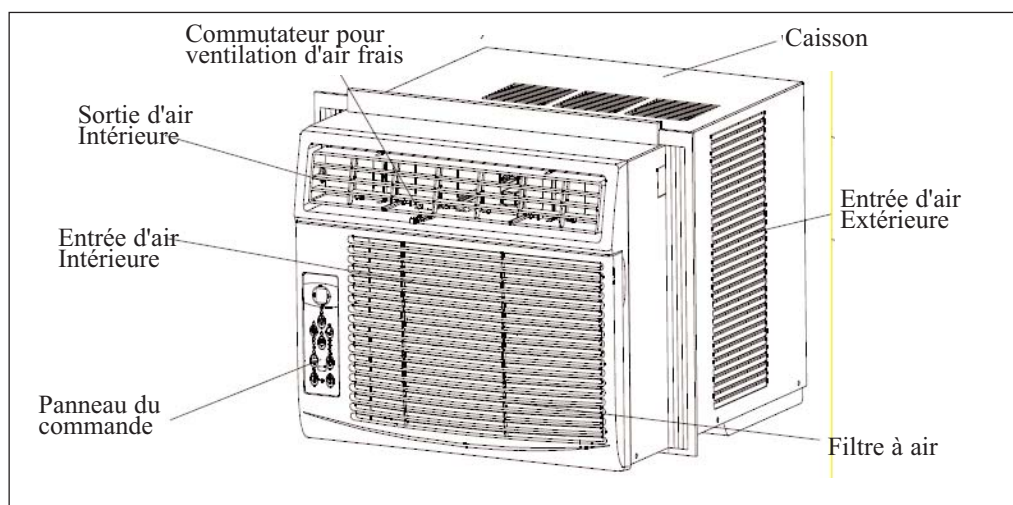
Date d'achat : \_\_\_\_\_

Ces renseignements seront requis si le service est demandé et/ou si vous désirez obtenir des renseignements supplémentaires. Pour consulter un Représentant du service à la clientèle, composez le NUMÉRO D'APPEL SANS FRAIS suivant: **1-800-26- Danby® (1-800-263-2629)**



**MISE EN GARDE:** Ne laissez pas un climatiseur de chambre sans surveillance dans un espace où se trouvent des gens ou des animaux qui ne peuvent pas réagir à un appareil défaillant. Un appareil défaillant peut causer une surchauffe extrême ou entraîner la mort dans un tel espace confiné et sans surveillance.

## IDENTIFICATION DE PARTIE



## CONSIGNES DE SÉCURITÉ IMPORTANT

**LISEZ TOUTE L'INFORMATION DE SÉCURITÉ AVANT UTILISATION**

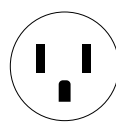
### SPECIFICATIONS ELECTRIQUE

- 1) Tous les câblages doivent être conformes aux codes électriques locaux et nationaux et doivent être installés par un électricien qualifié. Si vous avez la moindre question au sujet des instructions ci-dessous, contactez un électricien qualifié.
- 2) Vérifiez la fourniture d'alimentation électrique disponible et résolvez tout problème de câblage AVANT d'installer et de faire fonctionner cet appareil.
- 3) Ce climatiseur à 115V utilise 10 ampères ou moins de puissance nominale et peut être utilisé dans toute prise de courant domestique de but général adéquatement câblée. Voir le Tableau 1 pour les spécifications pour circuit de dérivation individuel.
- 4) Pour votre sécurité et votre protection, cet appareil est mis à la masse par la fiche du cordon d'alimentation lorsqu'elle est branchée dans une prise murale qui lui correspond. Si vous n'êtes pas certain que votre prise de courant murale est mise à la masse adéquatement, veuillez consulter un électricien qualifié.
- 5) La prise murale doit correspondre à la fiche à 3 broches sur le cordon de service fourni avec l'appareil. N'utilisez PAS de fiches d'adaptation. Voir Tableau 2 pour les renseignements sur les prises de courant et les fusibles. S'il est nécessaire d'utiliser une rallonge électrique pour brancher votre climatiseur, utilisez une rallonge électrique approuvée pour «climatiseur», exclusivement (disponible dans la plupart des magasins locaux de quincaillerie).
- 6) La plaque signalétique sur l'appareil contient des données électriques et techniques; elle se trouve sur le côté droit de l'appareil, au-dessus du cordon d'alimentation.

**TABLEAU 1**

Circuit de distribution individuel suggéré	
Ampères de plaque d'identification 4.9 à 10	Calibre de fil AWG* 14
AWG – American Wire Gauge (Calibre de fil américain) *Basé sur le fil en cuivre à une température nominale de 60° C	

**TABLEAU 2**

Types de fusibles et de réceptacles	
Tension nominale	125
Ampères	15
Prise de courant	
Intensité de fusible	15
Fusible temporisé (ou disjoncteur de circuit)	Type fiche

**MISE EN GARDE:** Ne jamais laisser cet appareil en marche dans un endroit fermé où des personnes ou animaux qui ne peuvent pas réagir à une défektivité de l'appareil se trouvent. Un appareil en panne peut occasionner la surchauffe extrême de cet appareil ou la mort dans un espace fermé non surveillé.

## CONSIGNES DE SÉCURITÉ IMPORTANT

### SUGGESTIONS POUR L'ÉCONOMIE DE L'ÉNERGIE

**Votre appareil ménager Danby est conçu pour l'efficacité en économie de l'énergie.** Pour le rendement maximal, observer les recommandations qui suivent.

- 1) Choisir un réglage du thermostat qui répond à vos besoins de confort et le laisser au réglage choisi.
- 2) Le filtre à air est très efficace pour éliminer les particules qui flottent dans l'air. Conserver le filtre à air propre en tout temps.
- 3) Utiliser des draperies, des rideaux ou des stores pour prévenir la pénétration et le réchauffement de la pièce par les rayons directs du soleil, mais ne pas permettre la restriction de la circulation d'air autour de l'unité par les draperies ou les rideaux.
- 4) Activer votre climatiseur avant que la température de l'air extérieur ne soit très chaude et inconfortable. Ceci préviendra une période initiale d'inconfort avant que l'unité ne puisse refroidir la pièce. L'usage de la caractéristique de **MINUTERIE** programmable d'arrêt et de mise en marche automatique représente un important avantage à cet effet si elle est utilisée à pleine capacité.
- 5) Quand les températures externes sont suffisamment froides, placer le climatiseur hors de service et utiliser le **MODE DE VENTILATEUR** à la position **HAUTE, MOYENNE ou BAS**. Ceci fait circuler l'air à l'intérieur de la pièce pour fournir un certain confort de climatisation en utilisant moins d'électricité.

## INSTALLATION



**RISQUE DE CHOC ÉLECTRIQUE:** Pour éviter la possibilité de blessures corporelles, débrancher l'alimentation de courant à l'unité avant d'entreprendre l'installation ou le service.

### Outils nécessaires pour installation

**Tournevis** à tête Phillips et plate

**Perceuse électrique** Mèche de 1/8 po de diam.

**Crayon**            **Ruban à mesure**

**Ciseaux**           **Clé réglable**

Votre climatiseur de chambre a été conçu pour une installation facile dans une fenêtre à châssis à guillotine simple ou double. Cet appareil n'a pas été conçu pour des fenêtres verticales (de type coulissant) ou pour être installé à travers une paroi.

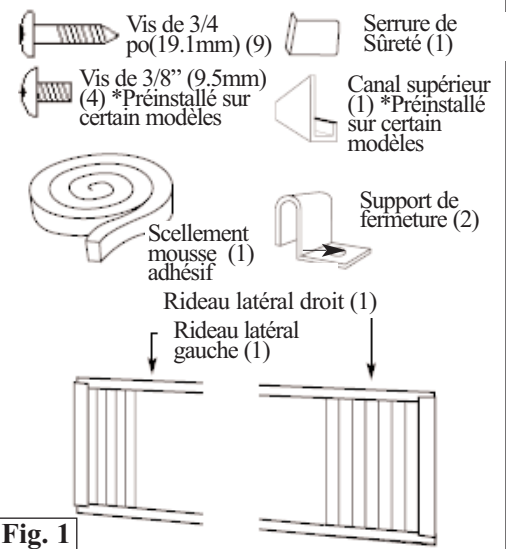
**REMARQUE:** Conservez le carton d'expédition et le matériel d'emballage pour futur entreposage ou transport de l'appareil. Ôtez l'appareil du carton, le sac en plastique qui contient la trousse de quincaillerie nécessaire pour l'installation de votre climatiseur. Veuillez vérifier le contenu de la trousse de quincaillerie d'installation en le comparant à la liste de vérification du modèle correspondant, et ce, avant l'installation de l'appareil. Voir Fig. 1.



**MISE EN GARDE:** Comme compresseur se trouve du côté des commandes de l'unité (côté droit), ce côté est plus lourd et plus difficile à manipuler. Un soutien inapproprié du côté des commandes de l'appareil peut causer des blessures et endommager l'appareil et d'autres biens mobiliers. C'est pourquoi il est recommandé que quelqu'un vous aide au cours de l'installation de cet appareil.

**Votre appareil a été conçu pour que la condensation s'évapore dans des conditions normales. Cependant, en présence d'une humidité extrême, un surplus de condensation peut provoquer un débordement de la cuvette de base vers l'extérieur. L'appareil doit être installé de telle sorte que l'écoulement de la condensation ne se déverse pas sur des passants ou sur des propriétés avoisinantes**

### QUINCAILLERIE D'INSTALLATION





# INSTALLATION

## ENDROIT

- A) Ce climatiseur pour chambre a été conçu pour être installé facilement dans une fenêtre à châssis à guillotine simple ou double. Cependant, comme le design de la fenêtre peut varier, il peut être nécessaire d'y faire quelques modifications pour une installation sécuritaire et appropriée.
- B) Assurez-vous que la fenêtre et son châssis sont structurellement solides et exempts de bois sec et pourri.
- C) Pour un maximum d'efficacité, installez le climatiseur sur le côté de la maison ou de l'immeuble qui se trouve plus souvent à l'ombre qu'au soleil. Si l'appareil est directement sous les rayons du soleil, il est recommandable d'installer un auvent pour protéger l'unité.
- D) Laissez suffisamment d'espace libre autour du caisson pour permettre une ample circulation d'air à travers l'appareil. Voir Fig. 2. L'arrière de l'appareil doit donner sur l'extérieur de la maison et non pas dans un garage ou à l'intérieur d'un immeuble. Tenez l'appareil aussi loin que possible de tout obstacle ou obstruction et à au moins 30 po au-dessus du plancher ou du sol. Il ne faut pas que les rideaux ou d'autres objets à l'intérieur de la pièce puissent bloquer le flux d'air.
- E) Assurez-vous que la prise électrique appropriée se trouve à la portée de l'installation. N'utilisez qu'un circuit à prise unique calculé à 15 ampères. Tout le câblage doit être conforme aux codes électriques locaux et nationaux.
- F) N'installez PAS l'appareil à un endroit où on soupçonne une fuite de gaz combustibles. Votre climatiseur peut tomber en panne dans une atmosphère qui contient des huiles (y compris des huiles pour machines), des gaz sulfurés, ou s'il est près de sources d'eau chaude, etc.

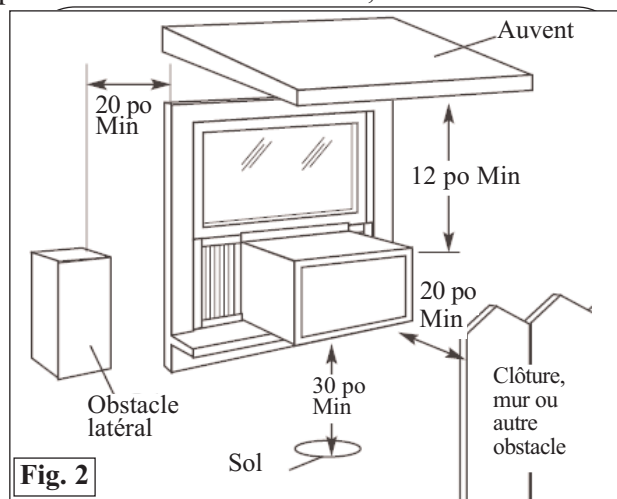


Fig. 2

## INSTRUCTIONS D'INSTALLATION

### 1) Montage de canaux supérieur sur le caisson.

- Canal supérieur en forme de "L": Installez le canal en forme de "L" au-dessus du caisson tel que montré à la Fig. 3, un utilisant quatre (4) vis de 3/8 po.

### 2) Montage des rideaux latéraux au caisson.

- Étendez les volets et glissez-le dans les support de volets sur le canal latéral du climatiseur comme montré dans Fig. 4.

- Faites glisser les cadre des volets dans les canaux supérieur (en forme de "L") et inférieur (en forme de "U") Ces volets sont identifiés (sur le cadre) en tant que volets gauches et droits.

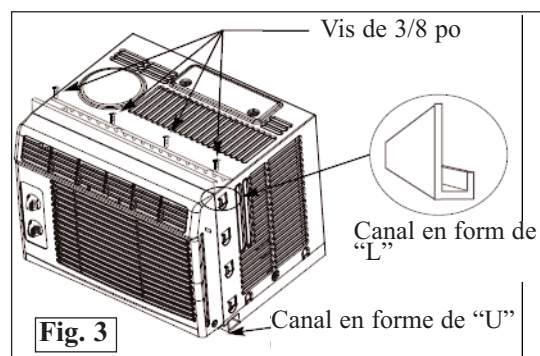


Fig. 3

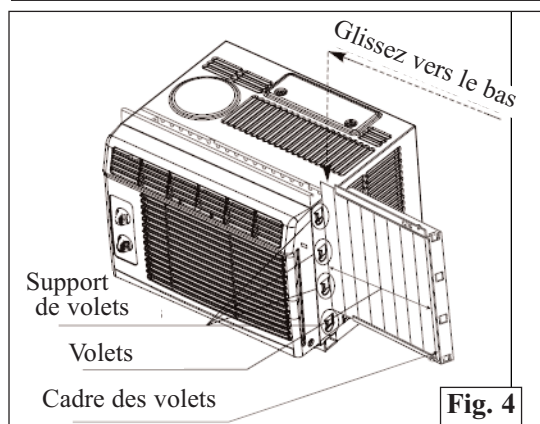


Fig. 4

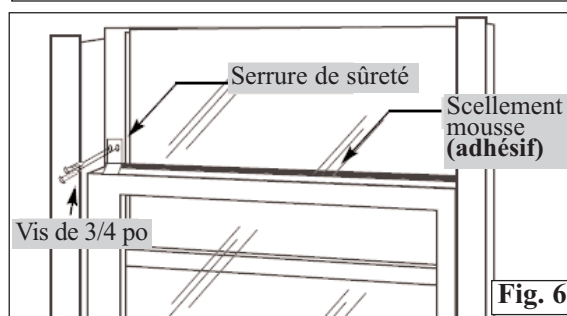
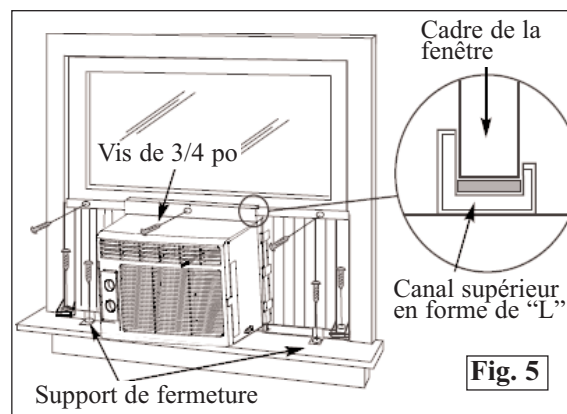
## INSTALLATION (suite)

### INSTRUCTIONS D'INSTALLATION (suite)

#### 3) Pour compléter l'installation

- Coupez la lisière à calfeutrer en mousse (non adhésif) pour qu'elle se fixe adéquatement au dessous du bas du cadre de la fenêtre.
- Placez le climatiseur dans la fenêtre avec le canal de montage en forme de "L" (en haut) positionné à l'avant du cadre supérieur de la fenêtre. Le bas du caisson doit être positionné dans le bas du cadre de la fenêtre. Tirez la fenêtre vers le bas jusqu'à ce qu'elle repose juste derrière le rebord frontal du canal de montage en forme de "L" (supérieur). Voir Fig. 5.
- Étendez les cadres des volets (complètement) de chaque côté, et fixez le haut des structures au cadre de la fenêtre en utilisant une vis de 3/4 po et une rondelle de sécurité sur chaque côté. Fig. 5
- Coupez la bande mousse **adhésif** afin qu'elle s'ajuste adéquatement à l'ouverture entre le haut de l'intérieur de sûreté sur le cadre du fenêtre extérieur en utilisant une vis de 3/4 po. Voir Fig. 6.

**REMARQUE SPÉCIALE:** Les applications à une fenêtre présentent toute une variété de styles différents. C'est pourquoi il peut être nécessaire de modifier ou d'improviser votre installation particulière.



# CONSIGNES D'UTILISATION

## FONCTIONNEMENT

**AFFICHAGE DEL:** Affiche l'information suivante en dépendamment; Réglage de la température, température ambiante et le programme de minuterie.

**Commutateur de courant:** En Marche/Arrêt.

**MODE:** Vous permet de choisir le mode d'opération désiré; Frais, Sec, Ventilateur Seulement et Auto. Le mode choisi sera dénoté par l'afficheur au-dessus du bouton. \*'Auto' est un programme pré-réglé qui choisit automatiquement le mode (Frais ou Sec) et la vitesse de ventilateur fondé sur la réglage de la température.

**Ventilateur:** Choisissez quatre réglage de ventilateur différents; Bas, Moyenne, Haut et Auto, pendant les mode 'Frais' et 'Ventilateur'.

**Note:** Pendant le mode 'sec' il y a seulement une vitesse de ventilateur utilisée.

**Économiseur d'Énergie:** Ajuste le ventilateur automatiquement (en marche et en arrêt) quand le compresseur n'est pas en service.

**Réglage du Température et Minuterie:** Utilisée pour augmenter ou réduire le température par incréments de 10 et le minuterie en incréments de 0.5hr jusqu'à 10 heures et incréments de 1 hr jusqu'à 24 heures.

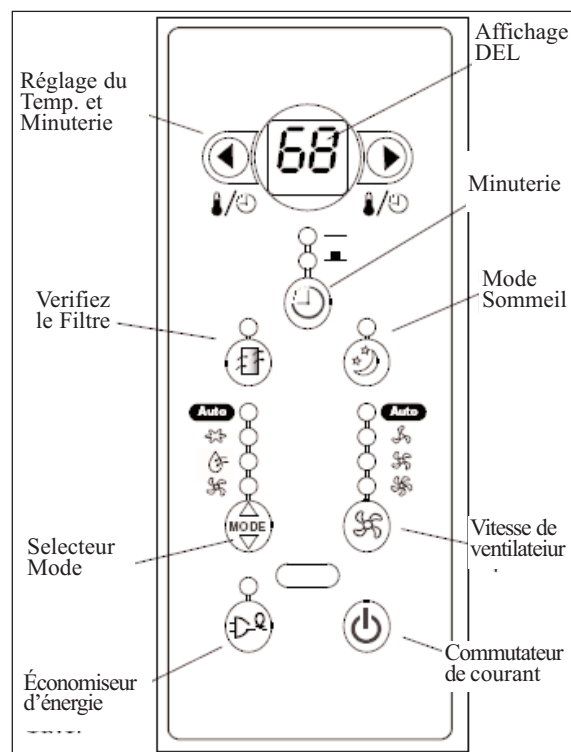
**REMARQUE:** Cet appareil ménager offre une caractéristique qui vous permettra l'option de régler les températures soit en degrés Celsius, soit Fahrenheit. Pour changer l'affichage de la température sur l'unité principale, appuyer sur les deux touches (Réglage de température / de minuterie) simultanément pour alterner entre l'échelle C et F.

**Vérifiez le Filtre:** L'afficheur au-dessus du bouton s'allume pour indiquer le filtre à air doit être nettoyé (voir la page 20). Une fois que le filtre a été nettoyé et remplacé, enfoncez le bouton. Vérifiez le Filtre pour continuer l'opération normale.

**Sommeil:** Le mode de sommeil augmentera votre température de climatisation pré-réglée graduellement pendant une période de un (1) heures la nouvelle température est maintenue pendant sept (7) heures. Une fois que le programme est complet, le climatiseur reprendra la température de climatisation (votre pré-réglage avant que le mode de sommeil a été activé). Employé pendant les heures de nuit pour empêcher la salle de refroidir trop (quand vous dormez) ceci résulte en une réduction du temps de fonctionnement du compresseur et en une économie de consommation de l'énergie.

Le mode de sommeil peut être annulé quand vous appuyez sur le bouton de sommeil durant le programme.

**Minuterie:** Utilisée pour activer le programme En Marche Auto et/ou Arrêt Auto.



### Quand le Climatiseur est hors de service (En March Auto):

- 1) Appuyer sur la touche Minuterie une fois et l'afficheur du En March Auto s'illuminera.
- 2) Appuyer sur les touches ou pour choisir l'heure de mise en service entre 0.5h et 24h
- 3) Choisir le MODE approprié de fonctionnement désiré de l'unité (Auto- Frais-Sec-Ventilateur).
- 4) Choisir le réglage de la Vitesse du ventilateur.
- 5) L'heure réglée apparaîtra sur l'affichage.

### Quand le Climatiseur est en service (Arrêt Auto):

- 1) Appuyer sur la touche Minuterie deux fois et l'afficheur du Arrêt Auto s'illuminera.
- 2) Appuyer sur les touches ou pour choisir l'heure de mise hors de service entre 0.5 h et 24 h.
- 3) L'heure réglée apparaîtra sur l'affichage y EN MARCHÉ AUTO et ARRÊT AUTO peut fonctionner durant le même programme par choisissez les paramètres ARRÊT AUTO juste après les paramètres EN MARCHÉ. Pour annuler le programme EN MARCHÉ AUTO ou ARRÊT AUTO appuyer sur la Commutateur de courant.

## CONSIGNES D'UTILISATION (suite)

### CARACTÉRISTIQUES À TÉLÉCOMMANDE

**Affichage Électronique:** Affiche l'information suivante;

- A) Icônes du Télécommande 'En Marche' et Mode.
- B) Horloge et Minutrie
- C) Réglage de la température
- D) Réglage de Vitesse du ventilateur

**Boutons De Commande:**

1) Commutateur de courant.

2) Mode.

3) Vitesse du ventilateur.

4) Économiseur d'Énergie.

5) Minutrie.

6) Utilisé pour augmenter ou réduire le température par 1° incrément de la degré en Fahrenheit ou Celsius.

• Pour l'appareil: La commande est capable d'afficher la température en degrés Fahrenheit ou en degrés Celsius. Pour passer d'une échelle à l'autre, appuyez sur les boutons Plus ou Moins de la température et du minuteur (Temp/Timer) au même moment et maintenez-les enfoncés pendant 3 secondes.

• Pour la télécommande: La commande est capable d'afficher la température en degrés Fahrenheit ou en degrés Celsius. Pour passer d'une échelle à l'autre, appuyez sur les boutons Plus ou Moins de la température et du minuteur (Up and Down Temp/Timer) au même moment et maintenez-les enfoncés pendant 3 secondes.

7) Annuler le programme "Minutrie en Marche" et/ou "Minutrie Arrêt".

8) Serrure empêche les arrangements de télécommande d'être changé.

9) **Horloge:** Appuyez sur le bouton pendant 3 secondes pour régler l'horloge. Appuyer sur la flèche ou pour ajuster l'horloge en les incréments de 1 minute, ou continuez à maintenir la flèche pour ajuster le temps en incréments de 10 minutes.

10) Mode de Sommeil.

11) Lumière d'affichage électronique (allumez/arrêtez).

12) Reconstituez tous les arrangements de télécommande au réglages par défaut. Deux piles alcalines « AAA » sont requises pour le fonctionnement de la télécommande (incluses).

### LES PILES DEVRAIENT ÊTRE REMPLACÉES QUAND:

a) Aucun signal sonore (bip) n'est entendu durant la programmation de l'unité principale.

b) L'unité principale ne répond pas à un signal émis par la télécommande.

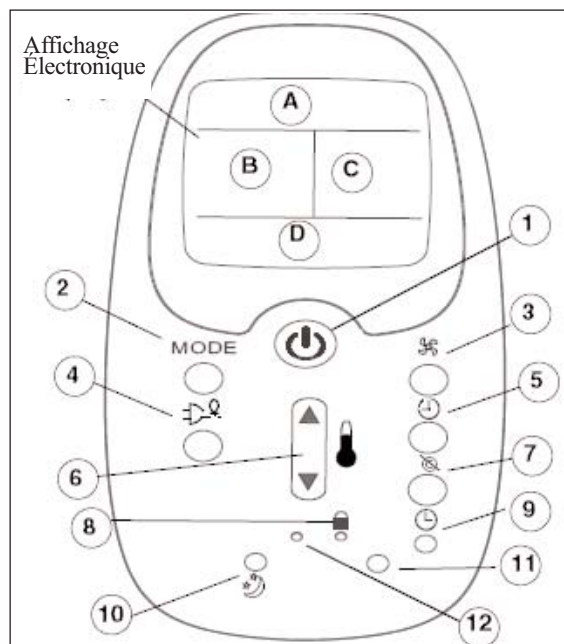
### Remplacement des piles :

1) Glisser le couvercle du compartiment des piles à l'arrière de la télécommande dans le sens de la flèche. Tirer délicatement jusqu'à ce que le couvercle se sépare complètement de l'unité.

2) Insérer deux (2) piles (AAA) en observant la polarité indiquée dans le compartiment des piles (+/-).

3) Réinstaller le couvercle.

4) Si la télécommande ne sera pas utilisée pour des périodes prolongées (vacances, etc.), les piles devraient être retirées de la télécommande.



**La télécommande fonctionnera en dedans d'une distance de 8 mètres (26 pi.) du récepteur situé à l'intérieur de l'unité principale. Toute obstruction entre le récepteur et la télécommande pourrait causer une interférence au signal, ce qui limiterait la capacité de programmation de l'unité principale.**

---

## SOINS ET ENTRETIEN

---

### ENTRETIEN:

Avant de procéder à l'entretien du climatiseur, assurez-vous de tourner le bouton de **SELECTION** en position "**ARRÊT**" et débranchez le cordon d'alimentation de la prise électrique.

- 1) N'utilisez PAS de l'essence, un produit chimique, diluant ou autre sur un climatiseur, car ces substances peuvent endommager la finition de la peinture et déformer des pièces en plastique.
- 2) N'essayez jamais de verser de l'eau directement sur le climatiseur, car cela provoque une détérioration de l'isolation électrique.

### FILTRE À AIR:

Si le filtre à air est bouché par de la poussière, la circulation d'air est obstruée et perd de son efficacité. Le filtre à air doit être nettoyé toutes les 2 semaines.

Le filtre à air du modèle ci-dessus se trouve derrière la grille frontale de la prise d'air. Pour enlever le filtre à air, saisissez la poignée du filtre sur l'avant de la grille et glissez-le (vers l'extérieur) à droite.

Pour réinstaller le filtre à air, faites l'inverse des procédures ci-dessus. Le filtre à air peut être passé à l'aspirateur ou lavé à la main dans de l'eau chaude. Séchez-le bien avant de l'installer.

### NETTOYAGE DU FILTRE À AIR

- 1) Utilisez un aspirateur de poussière muni d'une brosse douce.
- 2) Lavez le filtre dans de l'eau tiède de moins de 40°C (104°F). Pour obtenir de meilleurs résultats, lavez avec une eau savonneuse ou un agent neutre de nettoyage.
- 3) Rincez le filtre avec de l'eau propre et séchez-le à fond avant de le réinstaller.



**MISE EN GARDE:** N'oubliez PAS d'installer le filtre à air. Si on fait fonctionner le climatiseur sans filtre à air, la poussière n'est pas éliminée de l'atmosphère de la pièce et peut entraîner une défaillance de la machine. Quand la grille de l'entrée d'air et le caisson sont sales, essuyez-les avec de l'eau tiède (au-dessous de 40°C). On recommande l'utilisation d'un détergent doux.

### ENTRETIEN HORS SAISON:

- 1) Faites fonctionner uniquement le ventilateur pendant une demi-journée pour sécher l'intérieur du climatiseur.
- 2) Coupez le courant et enlevez la fiche de la prise murale.
- 3) Nettoyez le filtre.
- 4) Rangez le climatiseur (couvert) dans un endroit sec.



**ATTENTION:** Durant installation et/ou en enlevant le climatiseur de la fenêtre, assurez-vous que l'attention est prise pour empêcher de tomber hors de la fenêtre. On recommande que l'installation ou le déplacement du climatiseur soit fait avec l'assistance pour empêcher des dommages aux personnes ou des dommages à l'appareil ou à la propriété.



## DÉPANNAGE

De temps en temps, un problème peut se poser qui est mineur, et une intervention peut ne pas être nécessaire. Employez ce guide de dépannage pour une solution possible. Si l'unité continue à fonctionner incorrectement, demandez un dépôt autorisé de service ou le numéro de appel sans frais Danby pour l'aide à :  
**1-800-26-Danby® (1-800-263-2629)**

PROBLEME	CAUSE PROBABLE	SOLUTION
1) Le climatiseur ne veut pas fonctionner.	<ul style="list-style-type: none"> <li>Aucun courant branché à l'appareil.</li> </ul>	<ul style="list-style-type: none"> <li>Vérifiez le branchement du cordon d'alimentation à la source de courant.</li> <li>Vérifiez le fusible ou le disjoncteur</li> <li>Placer le commutateur de sélection à une position autre que ARRÊT.</li> <li>Le bouton RESET (du cordon d'alimentation) doit toujours être enfoncé pour un bon fonctionnement.</li> </ul>
2) Inefficace ou aucun refroidissement.	<ul style="list-style-type: none"> <li>Filtre à air sale.</li> <li>Les dimensions de l'appareil ne conviennent pas à son application.</li> <li>Circulation d'air bloquée.</li> <li>Interruption du courant, réglages changés trop rapidement, ou compresseur déclenché par surcharge.</li> </ul>	<ul style="list-style-type: none"> <li>Nettoyez ou remplacez le filtre à air.</li> <li>Vérifiez avec le concessionnaire si la capacité de l'appareil est appropriée à son application</li> <li>Enlevez l'objet qui obstrue la grille ou les volets extérieurs</li> <li>Arrêtez le climatiseur et attendez 5 minutes avant de le remettre en marche.</li> </ul>
3) Appareil bruyant.	<ul style="list-style-type: none"> <li>Pièces desserrées.</li> <li>Support inadéquat.</li> </ul>	<ul style="list-style-type: none"> <li>Serrez les pièces qui sont desserrées ou ont de jeu.</li> <li>Fournissez un support supplémentaire à l'appareil.</li> </ul>
4) Odours	<ul style="list-style-type: none"> <li>Formation de moisissure ou d'algues sur les surfaces mouillées.</li> </ul>	<ul style="list-style-type: none"> <li>Nettoyez à fond l'appareil</li> <li>Mettez une tablette anti-algues dans la cuvette de base.</li> </ul>
5) De l'eau s'égoutte à l'extérieur.	<ul style="list-style-type: none"> <li>L'écoulement de la condensation est normal, quand le temps est chaud et humide.</li> </ul>	<ul style="list-style-type: none"> <li>Ajoutez un tube flexible pour réacheminer l'écoulement de l'eau.</li> </ul>
6) De l'eau s'égoutte à l'intérieur.	<ul style="list-style-type: none"> <li>L'appareil n'est pas incliné adéquatement pour permettre à l'eau de s'écouler à l'extérieur.</li> </ul>	<ul style="list-style-type: none"> <li>L'appareil doit être installé à un certain angle pour permettre un écoulement adéquat de la condensation. Vérifiez l'appareil et exécutez tout ajustement.</li> </ul>
7) Formation de glace ou de givre.	<ul style="list-style-type: none"> <li>Température très froide à l'extérieur.</li> <li>Le filtre à air de l'appareil est sale.</li> </ul>	<ul style="list-style-type: none"> <li>Lorsque la température extérieure est d'environ 18.3°C (65°F) ou moins, du givre peut se former quand l'appareil est en mode refroidissement. Réglez l'appareil en mode VENTILATEUR (seulement) jusqu'à ce que le givre fonde.</li> <li>Enlevez et nettoyez le filtre à air</li> </ul>

### REMARQUES:

- Si le disjoncteur se déclenche à maintes reprises, ou si le fusible a grillé plus d'une fois, contactez un technicien qualifié.
- Quand l'appareil est installé en suivant les étapes d'installation adéquates, l'appareil est incliné de façon appropriée vers l'extérieur pour permettre l'écoulement de la condensate.

# Danby®

Model • Modèle  
DAC8010E, DAC10010E, DAC12010E

For service, contact your  
nearest service depot or call:

**1-800-26- Danby®**  
**(1-800-263-2629)**

to recommend a depot in your  
area.

Pour obtenir le service, consultez  
votre centre de service le plus  
rapproché ou composez le:

**1-800-26- Danby®**  
**(1-800-263-2629)**

vous recommandera un  
centre régional.

## AIR CONDITIONER

The model number can be found on the serial plate located on the back panel of the unit.

All repair parts are available for purchase or special order when you visit your nearest service depot. To request service and/or the location of the service depot nearest you, call the TOLL FREE NUMBER.

When requesting service or ordering parts, always provide the following information:

- **Product Type**
- **Model Number**
- **Part Number**
- **Part Description**

## CLIMATISEUR

Le numéro de modèle se trouve sur la plaque d'information sur le panneau arrière de l'appareil.

Toutes les pièces de rechange ou commandes spéciales sont disponibles à votre centre de service régional autorisé.

Pour obtenir le service et/ou la localité de votre centre de service régional, signalez le NUMÉRO D'APPEL SANS FRAIS. Ayez les renseignements suivants à la portée de la main lors de la commande de pièce ou service :

- **Type de produit**
- **Numéro de modèle**
- **Numéro de pièce**
- **Description de la pièce**

Danby Products Ltd, Guelph, Ontario Canada N1H 6Z9  
Danby Products Inc, Findlay, Ohio USA 45840