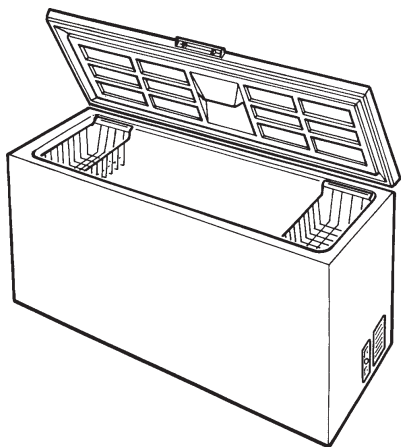


# Owners Manual

## CHEST FREEZERS



## CONTENTS

|  |   |
|--|---|
| <b>Important Safety Instructions</b> ..... | 2 |
| <b>If Your Electricity Goes Off</b> .....  | 3 |
| <b>Installing Your Freezer</b> .....       | 3 |
| Installation Requirements .....            | 3 |
| Picking a Location .....                   | 3 |
| Starting the Freezer .....                 | 4 |
| <b>Freezer Features</b> .....              | 4 |
| Temperature Control .....                  | 4 |
| Cool Down Period .....                     | 4 |
| Interior Light .....                       | 4 |
| Sliding Basket .....                       | 4 |
| Power Light .....                          | 5 |
| Built-in Lock .....                        | 5 |
| Defrost Drain .....                        | 5 |
| <b>Defrosting Your Freezer</b> .....       | 6 |
| <b>Cleaning Your Freezer</b> .....         | 6 |
| <b>Troubleshooting</b> .....               | 7 |
| <b>Energy Saving Tips</b> .....            | 8 |
| <b>Vacation &amp; Moving Tips</b> .....    | 8 |

If you need service or call with a question, have this information ready.  
We advise you to keep this Owners Manual and your sales slip in your possession.

Model: \_\_\_\_\_

Serial Number: \_\_\_\_\_

Date of Purchase: \_\_\_\_\_

### Guide d'utilisation - CONGÉLATEUR HORIZONTAL

Table des Matières \_\_\_\_\_ 9

### Manual de instrucciones - CONGELADOR TIPO CAJÓN

Índice \_\_\_\_\_ 18



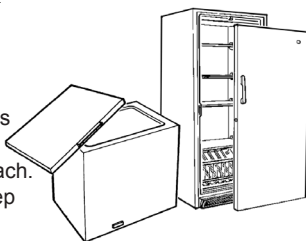
# Important Safety Instructions

## **Warning: Risk of Child Entrapment**

**Never** allow children to operate, play with, or crawl inside a freezer or refrigerator.

**If you are storing a refrigerator or freezer:**

1. **Block the door open:** Glue thick wooden blocks to the door so it can't close. Be sure to use strong glue and place the blocks high, out of children's reach. Leave only enough room to allow ventilation to keep appliance from collecting mildew.



2. **Band, tape or secure the door shut:** Use strong tape and wrap it all the way around the appliance several times or pass a heavy duty chain around the appliance and through the handle(s) and then padlock it ensuring it cannot slide loose.

**Before you throw away your old refrigerator or freezer:**

1. **Take off the lid or door:** The hinge of chest type freezers are under spring tension. Instructions for removal of the hinges are found on the back of the freezer.
2. **Cut off any electrical wires:** Ordinary household tools are all you need.
3. **Leave the shelves in place:** so that children may not easily climb inside.

**Talk to your children about the dangers of playing around or inside any container that might shut them in.**

### **WHY all these precautions?**

Each year children die because they climb inside an old refrigerator or freezer, the door closes and they are trapped inside and suffocate . . . usually in less than 10 minutes! Please take a few minutes and prevent such a needless tragedy.

***If you are selling your old appliance or giving it away, put this manual inside so the new owners will know what to do when they discard or store the unit.***

- Destroy carton, plastic bags, and any exterior wrapping material immediately after the freezer is unpacked. Children should never use these items for play. Cartons covered with rugs, bedspreads, plastic sheets or stretch wrap may become airtight chambers and can quickly cause suffocation.
- Extreme caution should be used when removing the lid of the freezer. The hinge of chest type freezers are under spring tension! Before attempting to remove hinges, see instruction label on the back of the cabinet.
- Do not store or use gasoline or other flammable items in the area of this or any appliance, as the fumes can create a fire hazard or explosion.
- This freezer is designed for free-standing installation only; it should not be recessed or built-in.

- Replace or repair all electric service cords that have become damaged or frayed.
- Never unplug your freezer by pulling on the power cord. Always grip plug firmly and pull straight out from the outlet.
- Be careful not to roll over or damage the cord, when moving the freezer.
- Unplug your freezer before making repairs or cleaning. It is our recommendation that servicing be done by a qualified technician.
- Unplug your freezer or turn power off at the circuit breaker or fuse box in order to avoid touching a live wire, when replacing a burned-out light bulb. Turning the control to OFF turns off the compressor, but does not disconnect power to other electrical components.
- Do not pinch, knot, or bend power cord in any manner.

**If your electricity goes off follow this procedure:**

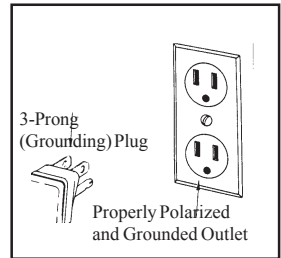
- Call your power company to see how long the power will be out.
- If service is to be interrupted for less than 24 hours, keep freezer closed. This will help food stay frozen.
- If service is to be interrupted for more than 24 hours, either remove food and store in frozen food locker or another freezer.

# Installing Your Freezer

***Your dealer is responsible for unpacking your freezer properly. Should any evidence of mishandling be present, contact him immediately.***

**Installation Requirements:**

- A 115 Volt, 60 Hz, AC 15 or 20 ampere fused and properly grounded electrical supply (for personal safety) is required.
- Refer to the serial plate for the correct electrical rating.
- A separate circuit used only by this appliance is recommended.
- \* **DO NOT USE AN EXTENSION CORD.**
- \* **DO NOT CUT, REMOVE OR BYPASS THE GROUNDING PRONG FROM THE PLUG.**
- To prevent the freezer from being turned off accidentally, do not plug unit into an outlet controlled by a wall switch or pull cord.
- If voltage varies by 10 % or more, the performance of the freezer may be affected. Operating the freezer with insufficient power can damage the motor. The warranty does not cover this damage. If you suspect your household voltage is high or low, consult your power company for testing.



**Picking a Location:**

- Locate the freezer so that extension cords are not necessary and the freezer is away from any flammables such as gasoline.
- Make sure that the floor you choose to place your freezer on will support the weight of the freezer when it is full.

- Due to the lid and hinge arrangement, it is impossible to install the freezer directly against the wall. The spacing on the back is essential for maintaining proper air circulation around the freezer. It is recommended that you leave a 3 inch (75 mm) space on all sides of the freezer.
- Locate the freezer where it will be convenient to use and away from direct sunlight or heat sources such as the range, dishwasher, laundry equipment or furnace. Freezers are designed to operate efficiently between 4°C to 32°C (40°F to 90°F). Temperatures above or below this range will cause the freezer to operate less efficiently. Additional compressor heaters are not recommended
- If the place selected for your freezer is damp or moist, as in some basements, place freezer on wooden blocks. (Two or three boards under entire length will assure adequate support.)
- The freezer should never be placed on a carpeted floor.
- In order for your freezer to work properly, it must be level with the floor. If not, you may add metal or wood shims between feet pads and floor.  
Note: the floor must be strong enough to support a fully loaded freezer.
- If there is tape residue on the freezer, remove with a mixture of warm water and mild detergent or touch the residue with the sticky side of tape already removed.
- DO NOT REMOVE THE SERIAL PLATE.

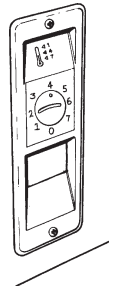
### Starting the Freezer:

- The freezer is ready to operate when you receive it. Just connect the cord to the power outlet.
- Turn the temperature control knob (located at the lower right hand side of the cabinet) to No. 4. This setting is normal for providing safe long term freezing. For colder temperatures turn to a higher setting.
- NOTE: Some models have a preset temperature and no control knob.
- Allow the freezer to operate for approximately 2 hours before placing frozen food inside.

## Freezer Features

### Temperature Control

- Located at the lower right hand side of the cabinet.
- At setting No. 4, the temperature will be at or near 0°F (-17.8°C) under normal operating conditions.
- Turning the temperature control all the way to the left or past "0" until it clicks will switch off power to the compressor.
- To adjust the thermostat control: turn control to higher number for colder temperatures, lower number for less cold temperatures. It is recommended that you adjust by one numerical increment at a time, allowing several hours for temperatures to stabilize between increments.
- Some of the models are equipped with preset thermostats which do not have a knob.
- Some models may have the temperature control mounted on cabinet rear.



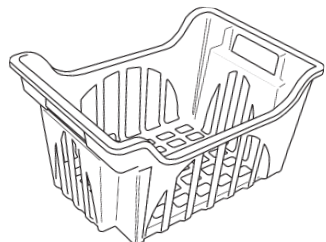
### Cool Down Period

- To ensure proper food storage, allow 4 hours for freezer to cool down completely. The freezer will run continuously for the first several hours. Already frozen foods may be placed in after the first few hours of operation, however you must wait 4 hours before placing in any unfrozen food.

**IMPORTANT:** Freeze approximately 22 pounds (10 kg) of fresh room temperature food at one time. There is no restriction for adding already frozen food. Distribute packages to be frozen evenly throughout the freezer. When freezing food, it is not necessary to set control knob to colder setting.

### Sliding Basket (on some models)

- Number of baskets can vary with different models.
- Use your sliding basket(s) to keep frequently used food within easy reach.



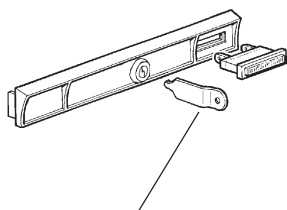
# Freezer Features (continued)

**WARNING: FAILURE TO DISCONNECT FREEZER FROM POWER SUPPLY WHEN CHANGING BULB COULD RESULT IN PERSONAL INJURY**

## Interior Light (on some models)

- Turns on whenever you open the lid to your freezer.
- When changing the interior light, disconnect freezer from power supply, replace old bulb with new appliance bulb with similar wattage and re-connect freezer to power supply.

## Power Light (on some models)



- The power light normally will be "on".
- Its purpose is to warn you when there is a power absence. If for any reason the power to the freezer is interrupted (blown fuse, loose plug, etc.) the indicator light will be "off".
- **WARNING:** The presence of the light does not indicate proper food temperatures, or proper operation of the refrigeration system.
- Flickering light indicates faulty or burned out light.

**WARNING: FAILURE TO DISCONNECT FREEZER FROM POWER SUPPLY WHEN CHANGING BULB COULD RESULT IN PERSONAL INJURY**

## Built-in Lock (on some models)

- A built-in lock allows you to keep your food supply secure if necessary.
- An excellent tool to help reduce the hazard of child entrapment.
- This type of lock is spring loaded, preventing the key from being left in the lock. To lock or unlock the freezer, you must hold the key in the lock while turning.

## Defrost Drain (on some models)

The outer cabinet drain plug is located on the outside of the freezer at the front bottom left hand corner. The interior plug is located on the inside of the freezer on the left side of the floor. The drain hose adaptor can be located in the plastic bag with the Use & Care Guide. The purpose of the defrost drain is to allow quicker and more convenient clean up of water.

**Step 1.** Remove the outer cabinet drain plug by twisting and pulling.

**Step 2.** Insert the drain hose adaptor into the drain hole and connect the hose to the adaptor. Run the hose down towards a suitable drain.

**Step 3.** Remove the interior drain plug by twisting and pulling. When the water in the freezer has been drained, replace the parts removed earlier.



## Temperature Monitor Alarm (on some models)

Some models feature a temperature monitor that provides an audible alarm. The temperature monitor alarm is located above the temperature control. The alarm sounds if the temperature in the freezer rises 10°F or more above normal for selected setting. Alarm may sound if the temperature control dial is turned to a much lower/colder setting or if a large amount of unfrozen food is added at one time. Alarm is controlled by a three position switch.

- **0** or **OFF** prevents alarm from sounding when freezer is warm, such as during initial start-up or defrosting.
- **✓** or **TEST** sounds alarm regardless of temperature. Alarm system should be tested at least once a month.
- **1** or **ON** is proper setting for normal freezer use. Return switch to **1** after defrosting.



# Defrosting Your Freezer

## WARNING

- Do not place electrical devices into your freezer. Personal injury can occur.
- Do not use sharp objects to defrost your freezer. Personal injury and/or damage to your freezer can occur.
- Do not use abrasive cleaners, waxes, concentrated detergents or bleaches on your freezer. Damage can occur.

After you have used your freezer for some time, frost will accumulate inside mostly on the upper part of the foodliner. This is due to warm, moist air entering the freezer when the door is open and is normal. If this frost becomes thicker than 1/4", it should be removed as it will become less energy efficient due to longer running times. Under normal circumstances, defrosting will not be necessary more than once a year. To defrost your freezer properly, follow these instructions:

1. Unplug freezer.
2. Quickly remove all frozen food and store in baskets, cartons or other suitable containers. Keep them well covered with blankets to avoid excessive temperature rise.
3. Place pans of hot water in freezer with lid open to speed melting.
4. Using a wooden spatula or plastic scraper, remove the frost and ice off the foodliner walls as soon as it becomes loose (approximately 15 minutes from start).
5. A cloth or towel soaked in hot water will help speed up the process. Remove ice from freezer as soon as it becomes loose. Allowing it to melt will only make cleaning it more difficult.
6. You are now ready to clean your freezer.

# Cleaning Your Freezer

## Cleaning the Inside

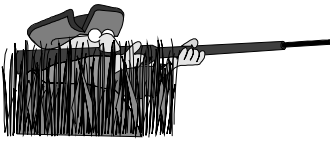
We recommend the following cleaning method: sprinkle baking soda on the sides and bottom of the freezer, this will help in cleaning and odor removal. In order to retain the finish of the freezer cabinet, inside and outside, wash painted and plastic parts only with warm water and mild soap, then rinse and dry. Do not use, under any circumstances, a gritty soap or a scouring pad as they will scratch the finish.

During the defrosting operation, some water may have dripped from the back flange of the lid cover. This is quite normal. Ice has built-up on the lid insulation during normal operation and this ice will melt during defrosting. You will probably have to fold over and dry the gasket on the hinge side of the lid to complete the cleaning process.

## Cleaning the Outside

Wash the cabinet with warm water and mild liquid detergent. Rinse well and wipe dry with a clean soft cloth.

# Save These Instructions



# Troubleshooting

## ***FREEZER DOES NOT WORK***

- Freezer may not be plugged in. Make sure plug is secure.
- Perhaps outlet is not working properly or fuse is burned out. Try plugging in a small appliance to check outlet.

## ***LID WON'T CLOSE ALL THE WAY***

- Package may be holding lid open.
- Baskets may be overlapping at corners.

## ***EXCESSIVE FROST BUILD UP***

- Package may be holding lid open.
- Opening lid excessively or left open for too long.

## ***FOODS DEFROSTING***

- Freezer may not be plugged in.
- Outlet is not working properly or fuse is burned out.
- Package is holding lid open or lid is being opened excessively or for too long.

## ***WET OUTSIDE CABINET***

- Extended hot, humid weather.

## ***FOODS ARE DRYING OUT***

- Not properly wrapped or sealed.

## ***FREEZER TOO COLD***

- Temperature control set too high. Adjust and wait several hours for temperature to stabilize.

## ***FREEZER TOO WARM***

- Temperature control set too low. Adjust and wait several hours for temperature to stabilize.
- Lid is being open too often or too long.
- Large amount of warm or hot food has been stored requiring time for cool down again
- Freezer lid is open slightly.
- Freezer had recently been disconnected and needs time to cool down again.

## ***FREEZER STARTS OFTEN***

- Package holding lid open, lid open too often or too long.

## ***FREEZER OPERATES TOO LONG***

- Temperature control set on too high a setting.
- Freezer may be maintaining a uniform temperature.
- Room or outside temperature is hot. A freezer would normally work harder under these conditions.
- Freezer had recently been disconnected and needs time to cool down again.
- Large amount of warm or hot food has been stored requiring time for cool down again
- Lid is being open too often or too long.
- Freezer lid is open slightly.
- Gasket is dirty, worn, cracked, or poorly fitted. Clean or change gasket. Leaks in the door seal will cause freezer to run longer in order to maintain desired temperature.

## ***SLOW TO START AFTER BEING OFF***

- Built in overload protection at work.

## ***ODOUR IN FREEZER***

- Interior needs to be cleaned.



### **EXTERNAL FREEZER SURFACE TOO WARM**

- The exterior freezer walls can be as much as 30°F (16.6°C) warmer than room temperature. This is normal.

### **TOO NOISY**

- Floor weakness, freezer may vibrate if compressor is on
- Cabinet is not positioned solidly. Shim to even freezer.
- When the surrounding noise level is low, you may hear the compressor running. This is normal as freezers require high efficiency compressors.

### **LOUDER SOUND LEVELS WHEN COMPRESSOR COMES ON**

- During the start of the 'ON' cycle, the freezer operates at higher pressures. This is normal. Sound will level off or disappear as the freezer continues to run.

### **POPPING OR CRACKING SOUND WHEN THE FREEZER COMES ON**

- This is normal. The metal parts within the freezer expand and contract. The sound should level off or disappear as the freezer continues to run.

### **BUBBLING OR GURGLING SOUND**

- When refrigerant is circulating throughout the system this type of sound may be heard. This is normal.

### **VIBRATING OR RATTLING NOISE**

- Freezer is not level.
- Floor is uneven or weak.

## Energy Saving Tips

- Be careful not to leave the lid open. Always make sure that the lid is closed properly.
- Try not to open the lid more than is necessary especially in hot, humid weather.
- Arrange frozen food systematically so you can quickly find what you need.
- The location of your freezer is very important. Don't situate it in a warm, unventilated room, next to your range or heating vent or where it is in direct contact with the sun.
- If you turn the temperature control to the coldest setting for quick freezing, don't forget to turn it back to the normal setting.
- Defrost the freezer whenever the frost become 1/4" thick.
- A full freezer stays cold longer than a partly filled one. A freezer full of meat stays cold longer than a freezer full of baked goods.
- Let hot foods cool to room temperature before placing in the freezer. Overloading the freezer forces the compressor to run longer. Foods that freeze too slowly may lose quality or spoil.
- Be sure to wrap foods properly and wipe containers dry before placing them in the freezer. This cuts down on frost build-up inside the freezer.
- Freezer shelves and baskets should not be lined with aluminum foil, wax paper, or paper toweling. Liners interfere with cold air circulation, making the freezer less efficient.

## Vacation and Moving Tips

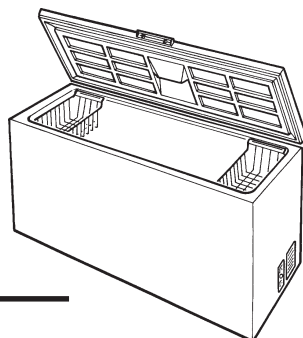
**Short Vacations (less than 3 weeks):** Leave the freezer operating.

**Long Vacations:** If the freezer will not be used for several months, remove all food and unplug the power cord. Clean and dry the interior thoroughly. To prevent odor and mold growth, leave the freezer door open slightly, blocking it open if necessary.

**Moving:** Disconnect the power cord plug from the wall outlet. Remove food, defrost and clean freezer. Secure all loose items such as base panel, baskets and shelves by taping them securely in place to prevent damage. In the moving vehicle, secure the freezer to prevent movement and protect the outside of the freezer with a blanket or similar item.

# Guide d'utilisation

## CONGÉLATEUR HORIZONTAL



## Table des matières

---

|   |           |
|---|-----------|
| <b>Mises en garde importantes pour la sécurité.....</b> | <b>10</b> |
| <b>Installation de votre congélateur.....</b>           | <b>11</b> |
| Nécessaire pour l'installation.....                     | 11        |
| Le choix d'un endroit .....                             | 11        |
| Mise en marche du congélateur.....                      | 12        |
| <b>Caractéristiques de votre congélateur</b>            |           |
| Contrôle de la température .....                        | 12        |
| Période de refroidissement.....                         | 12        |
| Panier amovible.....                                    | 12        |
| Éclairage intérieur.....                                | 12        |
| Lampe-témoin .....                                      | 12        |
| Serrure .....   | 13        |
| Tuyau d'écoulement.....                                 | 13        |
| <b>Dégivrage du congélateur.....</b>                    | <b>13</b> |
| <b>Nettoyage du congélateur.....</b>                    | <b>13</b> |
| <b>Trucs pour épargner l'électricité.....</b>           | <b>14</b> |
| <b>Diagnostic des anomalies.....</b>                    | <b>14</b> |
| <b>Conseils pour les déménagements.....</b>             | <b>16</b> |
| <b>et les vacances.....</b>                             | <b>17</b> |

Si vous désirez obtenir un renseignement ou encore si vous avez besoin d'effectuer une réparation vous aurez besoin de l'information suivante. Nous vous recommandons de conserver ce Guide d'utilisation ainsi que votre facture.

Modèle \_\_\_\_\_

Numéro de série \_\_\_\_\_

Date d'achat \_\_\_\_\_

# Mises en garde importantes pour la sécurité

## AVERTISSEMENT:

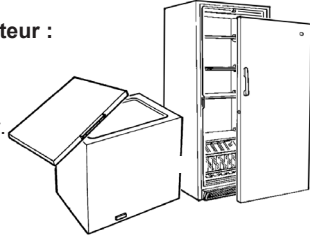
### Il y a risque qu'un enfant se prenne au piège

Ne **jamais** permettre aux enfants de faire fonctionner ou jouer autour, ou de se glisser à l'intérieur d'un réfrigérateur ou congélateur.

Si vous *entrez* un congélateur ou réfrigérateur :

1. **Bloquer la porte / le couvercle:** coller avec une colle forte des morceaux de bois épais sur la porte ou le couvercle pour l'empêcher de fermer. Placer les carrés de bois hors de la portée des enfants. Laisser une ouverture pour permettre une ventilation afin d'empêcher la moisissure.

2. **Barricader la porte / le couvercle:** Entourer l'appareil de nombreuses cordes ou bandes adhésives résistantes ou d'une grosse chaîne, que vous glisserez sous la/les poignée(s), fermée(s) au cadenas.



Si vous vous débarrassez d'un réfrigérateur ou congélateur:

1. **Détacher la porte ou couvercle:** les charnières d'un congélateur-coffre sont à ressort. Les instructions pour enlever les charnières se trouvent sur la partie arrière de congélateur.
2. **Couper les fils électriques** à l'aide de simples outils domestiques.
3. **Laisser les étagères** à l'intérieur pour rendre l'accès plus difficile.

#### POURQUOI toutes ces précautions?

Chaque année des enfants meurent emprisonnés dans un réfrigérateur ou congélateur. Ils suffoquent en moins de 10 minutes. Prenez quelques minutes de votre temps pour éviter de telles tragédies.

*Si vous vendez ou donnez votre appareil usagé, placez ces instructions à l'intérieur de l'appareil pour le nouveau propriétaire.*

- Détruisez la boîte de carton, les sacs de plastique et tous les matériaux d'emballage extérieurs immédiatement après avoir déballé le congélateur. On ne devrait jamais permettre aux enfants de jouer avec de telles choses. Les boîtes de carton couvertes de tapis, de couvertures de lit, de feuilles de plastique ou de film étirable peuvent se transformer en un espace hermétiquement clos et entraîner la suffocation rapide des enfants.
- On doit faire très attention lorsqu'on enlève le couvercle du congélateur. Les charnières sont montées sous tension! Avant d'essayer d'enlever le couvercle, référez-vous aux instructions à l'arrière de la caisse.
- N'entrez jamais d'essence ou d'autres substances inflammables près d'un appareil électrique puisque les vapeurs peuvent provoquer une explosion ou créer un risque d'incendie.
- Ce congélateur a été conçu pour être auto-portant. On ne doit jamais l'encastrier.
- Remplacez ou réparez immédiatement tout cordon électrique endommagé.
- Ne jamais débrancher votre congélateur en tirant sur le cordon électrique. Prenez la fiche électrique fermement en main et tirez droit.
- Faites attention de ne pas écraser ou endommager le cordon électrique lorsque vous le déménagez.

- Débranchez toujours le congélateur avant de procéder à des réparations ou avant de le nettoyer. Nous vous recommandons de faire appel à un technicien qualifié pour les réparations.
- Lorsque vous devez changer une lampe, débranchez le congélateur ou coupez le courant à la boîte à fusibles ou à disjoncteurs, pour éviter de prendre le courant. Tourner le bouton de commande en position d'arrêt a pour effet d'arrêter le compresseur mais ne coupe pas l'alimentation des autres composants électriques.
- Il ne faut ni pincer, ni nouer, ni plier le cordon électrique de quelque manière que ce soit.

#### Si vous manquez d'électricité, suivez ces quelques conseils:

- Appelez la compagnie d'électricité pour savoir combien de temps vous serez privés d'électricité.
- Si le service sera interrompu pendant 24 heures ou moins, gardez le couvercle fermé. Ceci aidera la nourriture à rester gelée.
- Si le service va être interrompu pendant plus de 24 heures, enlevez la nourriture ou entreposez-la dans un entrepôt à armoires ou dans un autre congélateur.

## Installation de votre congélateur

*Le dépositaire est responsable pour le des-emballage de votre congélateur. Si vous voyez des signes d'une mauvaise manutention contactez-le immédiatement.*

#### Nécessaire pour l'installation:

- Pour votre sécurité personnelle, vous avez besoin d'une alimentation électrique avec fusibles (ou disjoncteurs) bien mise à la terre. Alimentation: 115 V, 60 Hz, 15 ou 20 ampères c.a.
- La tension nominale correcte se trouve sur la plaque de numéro série. **N'UTILISEZ PAS DE RALLONGE ÉLECTRIQUE.**

#### **IL NE FAUT NI COUPER, NI ENLEVER, NI OMETTRE LA BROCHE DE TERRE DE LA FICHE ÉLECTRIQUE.**

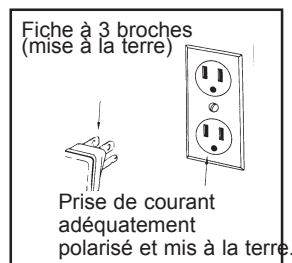
• Pour empêcher le congélateur de s'arrêter accidentellement, ne branchez pas l'appareil dans une prise de courant commandée par un interrupteur mural ou une tirette.

• Des variations de voltage de 10% ou plus peuvent affecter le fonctionnement du congélateur.

Le congélateur peut être endommagé s'il fonctionne sans alimentation électrique adéquate. La garantie ne couvre pas ce dommage. Si vous pensez que votre voltage de maison est trop élevé ou trop bas, demandez à votre fournisseur d'électricité d'effectuer un test.

#### Le choix d'un endroit:

- Placez le congélateur à un endroit où on n'aura pas besoin de cordon de rallonge et toujours loin de produits inflammables comme l'essence.
- Assurez-vous que le plancher est assez solide pour supporter le poids du congélateur plein d'aliments.
- À cause du couvercle et des charnières, on ne peut placer le congélateur directement contre un mur. On doit aussi laisser de l'espace derrière l'appareil pour une bonne circulation d'air. Il est conseillé de laisser un espace de 3 pouces (75 mm) de chaque côté du réfrigérateur.
- Placer le congélateur loin des sources directes de lumière, de soleil et de chaleur telles que la cuisinière, le lave-vaisselle, les appareils de blanchisserie ou le four. Les congélateurs sont conçus pour fonctionner efficacement entre 4°C et 32°C (40°F et 90°F). Les températures au-dessus ou au-dessous de cet intervalle feront fonctionner le congélateur moins efficacement. Des réchauffeurs supplémentaires de compresseur ne sont pas recommandés.
- Si vous placez le congélateur dans un endroit humide, comme dans certains sous-sols, mettez-le sur des blocs de bois. (Deux ou trois planches sur toute la longueur de l'appareil parviendront à le supporter adéquatement).



- Le congélateur ne devrait jamais être placé sur un tapis.
  - Pour que votre congélateur fonctionne convenablement, il doit être au niveau avec le plancher. Sinon, il pourrait être bon d'ajouter des cales de métal ou de bois entre les pattes et le plancher.
- Note : le plancher doit être suffisamment solide pour supporter un congélateur plein.
- S'il y a des résidus de rubans adhésifs sur le congélateur, enlevez-les avec une solution d'eau chaude et de détergent moyen ou décollez les résidus en les touchant avec le côté collant de rubans déjà enlevés.
  - N'ENLEVEZ PAS LA PLAQUE DE NUMÉRO DE SÉRIE.

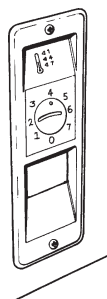
### Mise en marche du congélateur:

- Le congélateur est prêt à fonctionner lorsque vous le recevez. Vous n'avez qu'à le brancher.
- Réglez le bouton de commande (situé en bas, à droite de la caisse) au niveau 4. C'est le réglage approprié pour vous assurer que la nourriture se conserve adéquatement. Pour une température plus froide, réglez le bouton à un chiffre plus élevé.
- Notez que certains modèles ont une température pré-réglée et qu'ils ne disposent pas de bouton de commande.
- Laissez le congélateur fonctionner pendant environ 2 heures avant d'y placer de la nourriture congelée.

## Caractéristiques de votre congélateur

### Contrôle de la température

- Situé en bas, à droite de la caisse
- Au numéro 4, la température variera autour de 0°F (-17,8°C) sous des conditions d'opération normales.
- Si on tourne le bouton de commande tout à fait vers la gauche ou passé le niveau "0" (jusqu'à ce que vous entendiez un dé clic), on fermera alors le courant pour le compresseur.
- Pour ajuster la commande de température, tournez vers des chiffres plus élevés pour des températures plus froides, et vers des chiffres moins élevés pour des températures moins froides. Il est recommandé d'abaisser la température d'un chiffre à la fois, en laissant s'écouler plusieurs heures entre chaque chiffre pour permettre à la température de se stabiliser.
- Certains modèles sont munis de thermostats pré-réglés et ils n'ont pas de bouton de contrôle.
- Sur certains modèles, le contrôle de température se situe à l'arrière du cabinet.



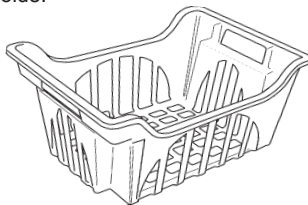
### Période de refroidissement

- Afin d'être sûr que la température de réfrigération est adéquate, laissez s'écouler quatre heures afin de permettre au congélateur de se refroidir complètement. Le congélateur fonctionnera continuellement pendant les premières quelques heures. On peut y ranger les aliments déjà congelés dès après les premières heures de fonctionnement ; il importe toutefois d'attendre 4 heures avant d'y ranger des aliments non congelés.

**IMPORTANT :** Ne pas congeler plus de 22 lbs (10 kg) d'aliments frais, à la température de la pièce, à la fois. Il n'y a aucune restriction si vous ajoutez des aliments déjà congelés. Répartissez les paquets à congeler uniformément dans tout le congélateur. Pour congeler de la nourriture, il n'est pas nécessaire de régler le bouton de commande à une température plus froide.

### Panier amovible (sur certains modèles)

- Le nombre de paniers varie selon les modèles.
- Utilisez le(s) panier(s) pour garder à portée de la main les aliments utilisés fréquemment.

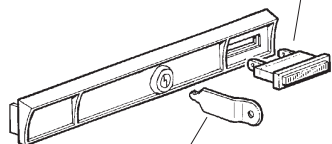


### Éclairage intérieur (sur certains modèles)

- S'allume lorsque vous ouvrez le couvercle.
- Pour changer l'ampoule lumineuse intérieure, il faut débrancher le congélateur, remplacer l'ancienne ampoule par une nouvelle ampoule de même puissance nominale, puis rebrancher le congélateur.

# Caractéristiques de votre congélateur (con't)

## Lampe-témoin (sur certains modèles)



- La lampe-témoin sera généralement "allumée".
- Elle vous laisse savoir lorsque l'appareil ne fonctionne pas. Si pour quelque raison que ce soit, l'électricité est interrompue (fusible brûlé, appareil mal branché, etc.) la lampe-témoin sera "éteinte".
- **ATTENTION:** La lampe témoin n'indique pas que le système de réfrigération de l'appareil fonctionne bien ou que la température est bien réglée.
- Une lumière qui clignote indique une lampe brûlée ou défectueuse.

**ATTENTION: VOUS RISQUEZ DE VOUS BLESSER SI VOUS TENTEZ DE CHANGER UNE LAMPE SANS D'ABORD DÉBRANCHER LE CONGÉLATEUR.**

## Serrure (sur certains modèles)

- Une serrure incorporée vous permet de verrouiller vos provisions si nécessaire.
- C'est un excellent outils de protection pour les enfants.
- La serrure est munie d'un ressort pour empêcher qu'on puisse y laisser la clé. Pour verrouiller ou dé-verrouiller le congélateur, vous devez tenir la clé dans la serrure tout en tournant.

## Tuyau d'écoulement (sur certains modèles)



- Un tuyau, muni d'un adaptateur pour y connecter un boyau, accélère le processus de dégivrage.
- Suivez ces quelques instructions:
  - a) Enlevez le couvercle du tuyau en le tirant.
  - b) Insérez l'adaptateur dans la sortie de vidange.
  - c) Enlevez le bouchon du drain à l'intérieur du congélateur.
  - d) Vous pouvez attacher un boyau à l'embout fileté de l'adaptateur ou encore placez un contenant sous le drain.

## Avertisseur de vérification de la température (sur certains modèles)

Certains modèles de congélateur sont pourvus d'un système de surveillance de la température muni d'un avertisseur auditif. Cet avertisseur se trouve au-dessus du thermostat. L'avertisseur retentit lorsque la température du congélateur est d'au moins de 10°F supérieure à la température normale du réglage choisi. L'avertisseur risque de se déclencher si l'on tourne le sélecteur du thermostat à un réglage bien inférieur/beaucoup plus froid ou si l'on ajoute en une seule fois une grande quantité de produits alimentaires non congelés.

L'avertisseur est réglé par un commutateur à 3 positions.

- **0** ou **OFF** (arrêt) empêche l'avertisseur de se déclencher lorsque le congélateur est encore tiède, comme par exemple durant le démarrage initial ou la décongélation.
- **✓** ou **TEST** (essai). L'avertisseur retentit quelle que soit la température. L'avertisseur devrait être mis à l'essai au moins une fois par mois.
- **1** ou **ON** (marche) est le réglage qui convient pour l'utilisation normale du congélateur. Le commutateur doit être remis à 1 après la décongélation.



# Dégivrage du congélateur

## ATTENTION:

- Ne placez aucun instrument électrique dans le congélateur. Vous pourriez vous blesser.
- Ne vous servez jamais d'objets pointus ou coupants pour dégivrer le congélateur. Vous pourriez vous blesser et/ou endommager votre congélateur.
- N'utilisez pas de produits nettoyants abrasifs, de cires, de détergents concentrés ou de javellissants. Vous pourriez endommager l'appareil.

## Dégivrage du congélateur

Après que vous aurez utilisé votre congélateur pendant quelque temps, vous remarquerez l'apparition de givre principalement sur la partie supérieure du coffre. Ce phénomène est normal et il est dû à l'air chaud et humide qui entre dans le congélateur lorsque la porte est ouverte. Si l'accumulation de givre dépasse ¼ de pouce, il vaudrait mieux procéder au dégivrage, puisque l'appareil consommera alors davantage d'électricité. Dans des conditions d'opération normales, vous ne devriez pas avoir à dégivrer votre congélateur plus d'une fois par année. Suivez les instructions suivantes pour dégivrer votre congélateur:

1. Débranchez le congélateur.
2. Enlevez rapidement la nourriture qui y est contenue et placez-la dans des paniers, boîtes de cartons ou d'autres contenants semblables. Couvrez la nourriture à l'aide de couvertures pour empêcher qu'elle ne dégèle.
3. Pour accélérer la fonte du givre, placez des chaudrons d'eau chaude à l'intérieur du congélateur, tout en gardant le couvercle ouvert.
4. Aussitôt que le givre se détache de la paroi intérieure (environ 15 minutes après le début de l'opération) enlevez-le à l'aide d'une spatule de bois ou de plastique.
5. Un linge ou une serviette imbibés d'eau chaude, accélérera le processus. Enlevez le givre de la paroi aussitôt qu'il devient détachable. S'il fond sur les parois, le nettoyage du congélateur sera plus difficile à faire.
6. Vous êtes maintenant prêt à procéder au nettoyage du congélateur.

## Nettoyage du congélateur

### Nettoyage de l'intérieur

Nous recommandons la méthode suivante pour nettoyer le congélateur: saupoudrez du soda (bicarbonate de soude) sur les côtés et au fond de l'appareil. Ceci aidera au nettoyage et éliminera les odeurs. Pour ne pas endommager le fini à l'intérieur et à l'extérieur du congélateur, lavez les parties peinturées et celles de plastique, uniquement avec de l'eau chaude et un savon doux. Ensuite, rincez et asséchez. N'employez jamais de savon granuleux ou de tampon à récurer pour ne pas égratigner le fini.

Pendant le dégivrage, de l'eau pourrait s'écouler à l'arrière du couvercle. Ceci est tout à fait normal. De la glace s'est formé dans l'isolant à l'intérieur du couvercle pendant que l'appareil était en opération et cette glace fond pendant l'opération de dégivrage. Vous devrez probablement replier et assécher le joint d'étanchéité sur le côté des charnières pour compléter le nettoyage.

### Nettoyage de l'extérieur

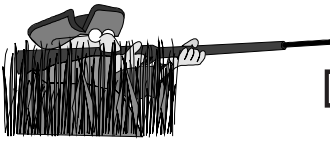
Lavez l'extérieur du congélateur avec une solution d'eau chaude et de détergent liquide moyen. Rincez-le bien et asséchez-le avec un chiffon propre.

## Trucs pour épargner l'électricité

- Attention de toujours bien refermer le couvercle.
- Essayez de ne pas ouvrir le couvercle plus que nécessaire et fermez-le aussitôt que possible, spécialement lorsque la température est chaude et humide.
- Placez les aliments de façon à pouvoir les trouver immédiatement.
- L'endroit où se trouve le congélateur est aussi important. Ne le placez pas dans un endroit chaud et fermé, ni près d'un poêle, d'un conduit de chauffage ou directement au soleil.
- Si vous le réglez au plus froid pour qu'il gèle rapidement, souvenez-vous de le remettre à la position normale.
- Dégivrez votre congélateur lorsque le givre atteint ¼" d'épais.
- Un congélateur plein dépense moins d'électricité qu'un congélateur en partie plein seulement. Un congélateur plein de viande reste froid plus longtemps que s'il était plein de produits de boulangerie.

**ATTENTION : POUR ÉVITER LES BLESSURES, PORTEZ TOUJOURS DES GANTS POUR MANIPULER DE LA GLACE SECHE.**

# Mettre ces instructions de côté



# Diagnostic des anomalies

## **LE CONGÉLATEUR NE FONCTIONNE PAS**

- Le Congélateur est-il branché? S'assurer que la prise est bien solide
- La prise de courant fonctionne-t-elle? Le fusible est peut-être brûlé. Essayez de brancher un petit appareil pour tester la prise.

## **LE COUVERCLE NE SE FERME PAS COMPLETEMENT**

- Des denrées peuvent l'empêcher de fermer complètement.
- Les paniers peuvent être soulevés dans les coins.

## **IL SE FORME TROP DE GIVRE**

- Des denrées peuvent l'empêcher de fermer complètement.
- Le couvercle peut-être resté ouvert trop longtemps ou trop souvent.

## **L'EXTÉRIEUR DE LA CAISSE EST MOUILLÉ**

- Longue période chaude et humide.

## **LA NOURRITURE S'ASSECHE**

- Nourriture mal enveloppée ou scellée.

## **LA NOURRITURE DÉGELE**

- Le congélateur est-il branché?
- La prise est peut-être défectueuse ou le fusible est peut-être brûlé.
- Des denrées peuvent empêcher le couvercle de fermer complètement. Le couvercle peut être resté ouvert trop longtemps ou trop souvent.

## **LE CONGÉLATEUR EST TROP FROID**

- Le bouton de commande est réglé à un chiffre trop élevé.
- Ajustez la température et attendez plusieurs heures pour qu'elle se stabilise.

## **LE CONGÉLATEUR EST TROP CHAUD**

- Le bouton de commande est réglé à un chiffre trop bas.
- Ajustez la température et attendez plusieurs heures pour qu'elle se stabilise.
- Le couvercle est trop souvent ouvert ou pendant trop long temps.
- De grandes quantités d'aliments chauds ou tièdes ont été rangées dans le congélateur, ce qui nécessite du temps pour le refroidissement.
- Le couvercle du congélateur est légèrement ouvert.
- Le congélateur a été récemment débranché et il lui faut du temps pour refroidir à nouveau.

## **LE CONGÉLATEUR SE MET EN MARCHÉ TROP SOUVENT LE CONGÉLATEUR FONCTIONNE PENDANT TROP LONGTEMPS**

- Quelque chose empêche le couvercle de bien fermer, ou le couvercle est ouvert trop souvent/trop longtemps.
- Bouton réglé trop haut.
- Congélateur peut garder une température uniforme.

## **TROP BRUYANT**

- Faiblesse du plancier; le congélateur peut vibrer quand le compresseur fonctionne.
- La caisse n'est pas solidement installée sur le sol. Utilisez des cales pour la mettre au niveau.
- La température de la pièce ou de l'extérieur est très chaude. Le congélateur fonctionne plus difficilement dans de telles conditions.
- Le congélateur a été récemment débranché et il a besoin de temps pour refroidir à nouveau.



- Le couvercle est trop souvent ouvert ou pendant trop longtemps.
- De grandes quantités d'aliments chauds ou tièdes ont été rangées dans le congélateur, ce qui nécessite du temps pour le refroidissement.
- Le couvercle du congélateur est légèrement ouvert.
- Le joint d'étanchéité est sale, usé, fissuré ou mal adapté. Nettoyez ou changez-le. Des fuites dans le joint d'étanchéité de la porte obligent le congélateur à fonctionner plus longtemps pour maintenir la température désirée.

#### ***LENT À PARTIR APRÈS AVOIR ÉTÉ FERMÉ***

- Le dispositif de protection contre les surcharges fonctionne.

#### ***LA SURFACE EXTERNE DU CONGÉLATEUR EST TROP CHAUDE***

- Les parois externes du congélateur peuvent être à une température de 30°F plus élevée que la pièce. C'est normal.
  - Lorsque le niveau de bruit environnant est bas, on peut entendre le fonctionnement du compresseur.
- Ceci est normal car les congélateurs requièrent des compresseurs hautement efficaces.

#### ***NIVEAUX DE BRUIT PLUS ÉLEVÉS AU DÉMARRAGE DU COMPRESSEUR***

- Au début du cycle de fonctionnement, le congélateur fonctionne à des pressions plus élevées. C'est normal. Le niveau de bruit diminue ou disparaît au fur et à mesure que le congélateur continue de fonctionner.

#### ***CRAQUEMENTS OU PÉTARADES AU DÉMARRAGE DU CONGÉLATEUR***

- C'est normal. Les parties de métal dans le congélateur subissent des expansions et des contractions. Les bruits devraient diminuer ou disparaître au fur et à mesure du fonctionnement du congélateur.

#### ***BRUITS LIQUIDES***

- Lorsque le réfrigérant circule dans le système, on peut entendre ce type de bruits. C'est normal.

#### ***BRUITS DE VIBRATIONS OU DE CRÉCELLES***

- Le congélateur n'est pas au niveau.
- Le plancher est irrégulier.

#### ***ODEUR DANS LE CONGÉLATEUR***

- L'intérieur doit être nettoyé.
- Laissez les aliments chauds refroidir à la température de la pièce avant de les placer dans le congélateur. Le réchauffement excessif du congélateur oblige le compresseur à fonctionner pendant plus longtemps. Les aliments qui congèlent trop lentement peuvent perdre leur qualité ou se gâter.
- Assurez-vous de bien envelopper les aliments et d'essuyer les contenants pour qu'ils soient bien secs avant de les placer dans le congélateur. Ceci diminue la formation de givre à l'intérieur du congélateur.
- Il ne faut pas revêtir les clayettes et les paniers du congélateur de feuilles d'aluminium, de papier ciré ou d'essuie-tout. De tels revêtements nuisent à la circulation de l'air froid et rendent le congélateur moins efficace.

# Conseils pour les déménagements et les vacances

**Vacances courtes (moins de trois semaines) :** laissez le congélateur fonctionner.

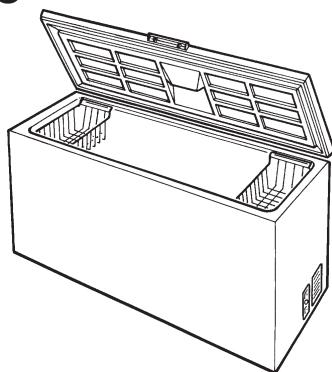
**Vacances longues :** si vous prévoyez ne pas vous servir du congélateur pendant plusieurs mois, retirez-en la nourriture et débranchez le fil d'alimentation électrique. Lavez et asséchez complètement l'intérieur. Pour prévenir l'accumulation d'odeurs et de moisissures, laissez la porte du congélateur légèrement ouverte, en la bloquant si nécessaire.

**Déménagement :** Débranchez le congélateur de la prise murale. Videz-le de son contenu, puis dégivrez-le et nettoyez-le. Arrimez tous les éléments tels que les plateaux, les paniers et les clayettes en les fixant solidement en place à l'aide de rubans adhésifs. Dans le véhicule de déménagement, bloquez le congélateur pour l'empêcher de bouger et protégez-en l'extérieur avec une couverture ou tout moyen semblable.

# Manual de instrucciones

## CONGELADOR

### TIPO CAJÓN



## Índice

|  |    |
|--|----|
| <b>Instrucciones de seguridad importantes</b> .....                      | 19 |
| <b>En caso de un apagón</b> .....  | 20 |
| <b>Instalación del congelador</b> .....                                  | 20 |
| Requisitos necesarios para la instalación ..                             | 20 |
| Selección del lugar apropiado .....                                      | 20 |
| Cómo arrancar la congelador .....  | 21 |
| <b>Características de le congelador</b> .....                            | 21 |
| Control de temperatura .....   | 21 |
| Período de enfriamiento .....  | 21 |
| Luz interior .....   | 22 |
| Canastas corredizas .....  | 22 |
| Luz indicadora de corriente .....  | 22 |
| Cerradura .....  | 22 |
| Drenaje .....  | 22 |
| <b>Descongelamiento del congelador</b> .....                             | 23 |
| <b>Limpieza del congelador</b> .....                                     | 23 |
| <b>Solución de problemas</b> .....                                       | 23 |
| <b>Consejos para ahorrar energía eléctrica</b> .....                     | 25 |
| <b>Consejos para cuando se mude</b><br><b>o vaya de vacaciones</b> ..... | 26 |

En caso de alguna duda o si su congelador necesita mantenimiento, tenga a mano la siguiente información. Le aconsejamos que conserve el Manual de Instrucciones así como el recibo de compra.

Modelo: \_\_\_\_\_

Número de serie: \_\_\_\_\_

Fecha de adquisición: \_\_\_\_\_

# Instrucciones de seguridad importantes

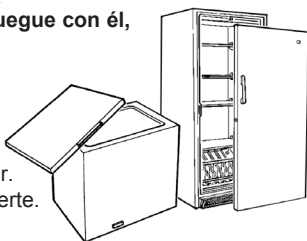
## Advertencia:

### Existe el Riesgo de que un Niño Entre a un Congelador

**Nunca permita que un niño use el congelador, juegue con él, o se meta en él.**

**Si está almacenando el congelador:**

- 1. Tiene que bloquear la tapa para prevenir que cierre.** Pegue con pegamento bloques de madera a la tapa de tal manera que no pueda cerrar. Asegúrese de utilizar un pegamento sumamente fuerte.
- 2. Ponga cinta alrededor del congelador para sellarlo.** Utilice cinta lo suficientemente fuerte y envuelva el congelador con ella varias veces para prevenir que la tapa pueda ser abierta.



**Antes de que deshaga de su congelador:**

- 1. Qúitele la tapa.** Las bisagras de los congeladores se encuentran bajo una tensión que es ejercida por los resortes. Las instrucciones para quitar las bisagras se encuentran en la parte posterior del congelador.
- 2. Qúitele todos los alambres eléctricos.** Con herramientas caseras puede realizar este paso.
- 3. No quite los estantes:** para que los niños no se metan al congelador fácilmente.

Hable con sus niños y explíqueles acerca del peligro que existe si se meten al congelador o a cualquier otro aparato en el que pudieran quedar encerrados.

**¿Por qué tantas precauciones?** Cada año mueren niños porque se meten a congeladores o refrigeradores, la puerta se cierra y ellos quedan atrapados adentro y se asfixian... la mayoría de las veces en menos de 10 minutos! Por favor tómense unos minutos y prevengan una tragedia innecesaria.

**Si usted está vendiendo su congelador viejo o lo está regalando, por favor ponga este manual adentro de él para que el nuevo dueño sepa qué procedimiento debe seguir al deshacerse o almacenar el congelador.**

“Inmediatamente después de desempacar el congelador, destruya el cartón, bolsas plásticas, o cualquier otro material que se haya utilizado para envolver el congelador. Los niños nunca deben utilizar estos materiales para jugar. Los cartones cubiertos con alfombras, cubrecamas, laminas de plástico, o envolturas elásticas pueden convertirse en cámaras herméticas y pueden causar sofocación rápida.

- Al quitar la tapa del congelador debe tenerse mucho cuidado ya que las bisagras están sujetas con muelles a presión. Antes de quitar las bisagras lea las instrucciones en la parte trasera de l congelador.
- No utilice o guarde gasolina o ningún líquido inflamable en el área donde se tengan equipos electrodomésticos ya que los gases emitidos pueden causar incendios o explosiones.
- Este congelador ha sido diseñado para no ser empotrado. No debe colocarse en un lugar de difícil acceso.
- Reemplace o repare todos los cables eléctricos que sufran daño o desgastes.

- Nunca desconecte el congelador tirando del cable eléctrico. Hágalo tirando del enchufe desde el tomacorriente.
- Al mover el congelador tenga cuidado de no dañar el cable que va al tomacorriente.
- Desconecte el congelador de la corriente antes de limpiarlo o repararlo. Aconsejamos que las reparaciones se hagan por un técnico calificado.
- Cuando vaya a cambiar un bombillo fundido desconecte la corriente en la caja de fusibles o desconecte el congelador del tomacorriente. Así evitará tocar un cable con corriente. Cuando el control se lleva hasta "OFF" el compresor se apaga, pero esto no desconecta el resto de los componentes eléctricos de la fuente eléctrica.
- No presione, haga nudos o doble el cable de ninguna manera.

**En caso de un apagón siga estos pasos:**

- Llame a la compañía eléctrica para saber la duración del apagón.
- Si el servicio eléctrico se interrumpe por menos de 24 horas mantenga el congelador cerrado. Esto ayudará a que los alimentos se mantengan congelados.
- Si el servicio eléctrico se interrumpe por más de 24 horas: retire los alimentos de la congelador y guárdelos en otro congelador.

# Instalación del congelador

***El vendedor es el responsable de desempacar correctamente el congelador. En caso de existir evidencia de mala manipulación póngase en contacto con él inmediatamente.***

**Requisitos para la instalación:**

- Para su seguridad se necesitan 115 Volt. 60 Hz. AC y fusibles de 15 ó 20 amperes, así como un suministro eléctrico con buena tierra.
- Remítase a la placa con el número de serie para ver el voltaje apropiado.
- Se recomienda que se utilice un circuito independiente para este equipo.

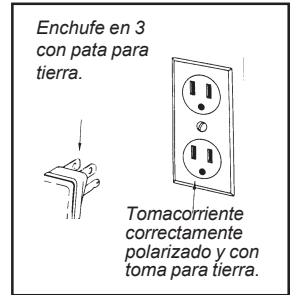
**\* NO UTILICE UNA EXTENSION CON ESTE EQUIPO.**

**• NO CORTE, ELIMINE O ELUDA LA PATA DE TIERRA EN EL ENCHUFE.**

- Para evitar que el congelador se apague accidentalmente, no lo conecte a un toma corriente que esté controlado por un cordón de halar o interruptor en la pared.
- Si el voltaje varía en un 10% o más, se puede ver afectado el funcionamiento del congelador. Operar el congelador con insuficiente voltaje puede dañar el motor. La garantía no cubre este tipo de daño. Si sospecha que el voltaje es bajo o alto, comuníquese con su compañía eléctrica para que solucione el problema.

**Selección del lugar apropiado:**

- Coloque el congelador en un lugar donde no tenga que utilizar una extensión y donde el congelador esté lejos de líquidos inflamables, tal como la gasolina.
- Asegúrese que el piso que escoja para colocar el congelador soporte el peso del mismo cuando este se encuentre lleno.



- Debido a la tapa y al sistema de bisagras es imposible colocar el congelador directamente contra la pared. El espacio detrás del congelador es esencial para que exista buena circulación de aire alrededor del mismo. Se recomienda que se deje un espacio de 3 pulgadas (75 mm) hacia todos lados del congelador.
  - Coloque la nevera en un lugar de fácil acceso. Manténgala alejada de del sol y fuentes de calor tales como: hornillas, lavaplatos, equipos de lavandería o estufas. Las neveras están diseñadas para que operen eficientemente entre los 4°C y los 32°C (40°F y 90°F). Las temperaturas por debajo o por encima de este rango harán que la nevera no opere con la misma eficiencia. No se recomiendan calentadores adicionales para compresores.
  - Si el lugar donde va a colocar el congelador es húmedo, como es el caso de algunos sótanos, coloque el congelador sobre bloques de madera. (Dos o tres tablones que sobrepasen el ancho del congelador asegurarán un buen soporte).
  - Nunca coloque el congelador sobre un piso alfombrado.
  - Para que su congelador funcione bien, debe estar a nivel con el piso. Si no lo está, puede utilizar calzos de metal o madera entre las patas y el piso.
- Nota: El piso debe ser resistente para que soporte el peso de un congelador lleno.
- Si quedan residuos de cinta de pegar en el congelador, puede eliminarlos con una solución de agua tibia y detergente. También puede eliminar el residuo frotando la parte pegajosa de la cinta que quito donde exista residuo.
  - NO quite la placa con el número de serie.

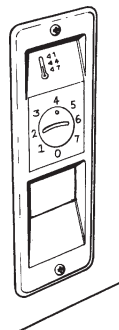
### Cómo arrancar el congelador

- El congelador está preparado para comenzar a funcionar cuando se recibe. Solo tiene que conectar el cable a la corriente eléctrica.
- Ajuste el botón de control de temperatura (situado en la parte derecha inferior del congelador) en el No. 4. Este es el ajuste normal que garantiza un congelamiento seguro. Si desea más frío entonces aumente el ajuste a un No. mayor.
- Nota: algunos modelos vienen con la temperatura programada y no tienen botones para ajustar la misma.
- Deje que el congelador trabaje aproximadamente 2 horas antes de colocar alimentos congelados en el mismo.

## Características del congelador

### Control de temperatura

- Se localiza en la parte derecha inferior del congelador.
- Bajo condiciones de funcionamiento normales la temperatura en el ajuste No. 4 será de aproximadamente 0°F (-17.8°C).
- Si gira el botón de control de temperatura hacia la izquierda y sobrepasa el "0" hasta escuchar un clic entonces apagará el compresor.
- Para ajustar el termostato: gire el botón de control hasta el número más alto para temperaturas más frías; hasta el número más bajo para temperaturas menos frías. Se recomienda que se incremente el valor de temperatura de uno en uno; siempre dejando que pasen varias horas para que se establezca la temperatura antes de incrementarla nuevamente.
- Algunos modelos están equipados con termostatos programados por lo tanto no traen botones de ajuste.
- Algunos modelos teine la control de la temperatura en la espalda de la congeladora.



### Período de enfriamiento

- Para asegurarse de un buen almacenamiento de alimentos, deje que pasen 4 horas para que así se enfríe completamente. El congelador trabajará de forma continua por varias horas. Los alimentos congelados se deben poner en el congelador después que este haya trabajado por varias horas. Sin embargo, debe esperar 4 horas antes de colocar alimentos no congelados.

**IMPORTANTE:** Congelar de una vez aproximadamente 22 libras (10 kg) dealimentos frescos a temperatura ambiente. No existen restricciones para añadir alimentos ya congelados. Distribuya los alimentos de forma pareja en el congelador. Cuando se vayan a almacenar más alimentos, no se hace necesario ajustar el control de temperatura a niveles más fríos.

# Características del congelador

## Canastas corredizas (en algunos modelos)

- El número de canastas puede variar de acuerdo al modelo.
- Utilice la canasta(s) corrediza para mantener los alimentos más usados al alcance de sus manos.

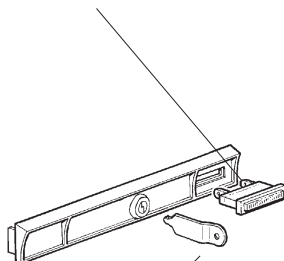


**ADVERTENCIA: SI NO DESCONECTA EL CONGELADOR DE LA FUENTE DE ELECTRICIDAD A LA HORA DE CAMBIAR UN BOMBILLO, ESTO LE PUEDE CAUSAR LESIONES.**

## Luz interna (en algunos modelos)

- Se enciende siempre que se abra la tapa del congelador.
- Desconecte del congelador de la fuente de electricidad cuando vaya a cambiar la luz interna. Sustituya el bombillo viejo por uno nuevo con los mismo vatios y vuelva a conectar el congelador a la fuente eléctrica.
- Cuando haya terminado, vuelva a conectar del congelador a la corriente.

## Luz indicadora de corriente (en algunos modelos)



- La luz indicadora de corriente normalmente se mantiene encendida.
- El propósito de la misma es advertirlo cuando no haya corriente. Si por alguna razón se interrumpe la corriente en el congelador (un fusible quemado, el cable está flojo, etc.) la luz indicadora se apagará.
- **ADVERTENCIA:** La presencia de la luz indicadora no significa que la temperatura sea la apropiada o que el congelador esté funcionando correctamente.
- Si la luz comienza a temblar esto indica que el bombillo está defectuoso.

**ADVERTENCIA: SI NO DESCONECTA EL CONGELADOR DE LA FUENTE DE ELECTRICIDAD A LA HORA DE CAMBIAR UN BOMBILLO ESTO LE PUEDE CAUSAR LESIONES.**

## Cerradura (en algunos modelos)

- La cerradura le permite mantener los alimentos protegidos en caso de que sea necesario.
- Es un excelente instrumento para disminuir la posibilidad de que los niños queden atrapados.
- Este tipo de cerradura trabaja con un muelle que no permite que la llave se quede en la cerradura. Para cerrar o abrir el congelador debe sostener la llave en la cerradura mientras le da vuelta.

## La manguera de drenaje

El lugar para colocar la manguera de drenaje del lado de afuera está ubicado en la parte exterior del frente del congelador en la esquina inferior izquierda. El lugar para conectar la manguera de drenaje adentro del congelador está ubicado en el lado izquierdo del piso interior. El adaptador de la manguera de drenaje puede venir en la bolsa de plástico que contiene el Manual de Uso y Cuidado. El objeto de la manguera de drenaje es permitir sacar el agua en forma rápida y conveniente.



**Paso 1.** Para remover el tapón de drenaje exterior del aparato muévela 1/4 para abajo y sáquela para afuera con su dedo.

**Paso 2.** Inserte el adaptador de la manguera dentro del agujero de drenaje y conecte la manguera al adaptador. Coloque la manguera hacia abajo en un desagüe apropiado.

**Paso 3.** Remueva el tapón de drenaje interior torciéndola y tirando. Cuando toda el agua del congelador ha salido, vuelva a poner los dos tapones.

### Vigilancia de temperatura con alarma (en algunos modelos)

Algunos modelos de congeladores vienen con un sistema de vigilancia de temperatura provisto de una alarma audible. Esta alarma se encuentra encima del termostato. La alarma se activa si la temperatura del congelador supera los 10°F o la temperatura normal seleccionada. La alarma se puede activar si se ajusta el control del termostato a un nivel muy bajo/muy frío, o si se coloca una gran cantidad de alimentos no congelados a la misma vez.

La alarma se controla por medio de un

- **0** ó **OFF** evita que la alarma suene cuando el congelador está tibio, por ejemplo durante el arranque inicial o la descongelación.
- **✓** o **TEST** activa la alarma en cualquier temperatura. La alarma debe probarse por lo menos una vez al mes.
- **1** o **ON** es el ajuste apropiado para un uso normal del congelador. Después de descongelar regrese el interruptor al **1**.



## Descongelamiento del congelador

### Advertencia

- No coloque equipos eléctricos dentro del congelador. Esto puede resultar en lesiones.
- No utilice objetos cortantes para descongelar el congelador. Esto puede causarle lesiones y/o daños al congelador.
- No utilice sustancias abrasivas para limpiar el congelador: cera, detergentes concentrados, o sustancias que contengan cloro. Esto puede causar daños al equipo.

Después de haber usado el congelador por algún tiempo la escarcha se acumulará dentro del mismo, principalmente en la parte de arriba. Esto es normal y se debe al aire húmedo y cálido que entra al congelador cuando la puerta está abierta. Si la escarcha acumulada sobrepasa 1/4" de espesor entonces debe eliminarse ya que el ahorro de energía será menos eficiente; el congelador tendrá que trabajar mucho más. Bajo circunstancias normales el descongelamiento del congelador solo será necesario una vez al año. Para descongelar su congelador adecuadamente siga las instrucciones siguientes:

1. Desconecte el congelador de la corriente eléctrica.
2. Retire los alimentos congelados y colóquelos en canastas, cajas de cartón, o cualquier otro recipiente apropiado. Manténgalos cubiertos con una frazada para evitar que pierdan su congelación.
3. Coloque recipientes con agua caliente dentro del congelador y deje la tapa abierta para acelerar el proceso de descongelamiento.
4. Utilice una espátula plástica o de madera para eliminar la escarcha o el hielo en las paredes del congelador. Haga esto tan pronto como el hielo se afloje (esto demora aproximadamente 15 minutos).
5. Si utiliza una toalla humedecida con agua caliente esto acelerará el proceso. Elimine el hielo de la nevera tan pronto como se afloje. Si deja que se derrita en el congelador la limpieza se hará más difícil.
6. Ahora ya está listo para limpiar su congelador.

## Limpieza del congelador

### Limpieza interior

Le recomendamos el siguiente procedimiento: esparza un poquito de bicarbonato de sodio dentro del congelador, esto ayuda en la limpieza y eliminación de olores indeseados. Para conservar el acabado de la parte exterior e interior del congelador lave el esmalte y el plástico con agua tibia y un poquito de jabón. Luego enjuáguela y séquela. Bajo ninguna circunstancia utilice un jabón arenoso o un estropajo metálico; esto rayaría el acabado del congelador.

Durante el proceso de descongelamiento es posible que comience a gotear agua del borde trasero de la tapa. Esto es normal y se debe a que durante el funcionamiento del congelador, el hielo se ha ido formando en esa parte de la tapa y ahora comienza a descongelarse. Seguramente tendrá que darle vuelta a la junta que se encuentra al lado de las bisagras para así concluir con la limpieza.

### Limpieza exterior

Lave el cajón del congelador con una solución de detergente líquido y agua tibia. Enjuágelo bien y séquelo con un paño suave y limpio.

## Conservar estas instrucciones



# Solución de problemas



## *EL CONGELADOR NO FUNCIONA*

- El congelador puede estar desconectado. Asegúrese de que el cable esté asegurado.
- Es posible que el tomacorriente no esté funcionando o que los fusibles no sirvan. Conecte otro efecto electrodoméstico para chequear el tomacorriente.

## *LA TAPA NO CIERRA COMPLETAMENTE*

- El paquete puede estar obstruyendo la tapa.
- Las canastas pueden estar montadas sobre las esquinas.

## *MUCHA ACUMULACION DE ESCARCHA*

- El paquete puede estar obstruyendo la tapa.
- La tapa se abre con mucha frecuencia o se deja abierta por largo tiempo.

## *LOS ALIMENTOS SE DESCONGELAN*

- El congelador puede estar desconectado.
- El tomacorriente no está funcionando o los fusibles no sirven.
- El paquete está obstruyendo la tapa dejándola abierta o se ha dejado abierta por mucho tiempo.

## *LA PARTE DE AFUERA DEL CONGELADOR SE HUMEDESE*

- La temperatura ambiental es muy alta y hay mucha humedad.

## *LOS ALIMENTOS PIERDEN SU HUMEDAD*

- El recipiente donde se guardan no está cerrado apropiadamente.

## *EL CONGELADOR ESTA MUY FRIO*

- El control de temperatura ha sido ajustado muy alto. Ajuste y espere varias horas para que se establezca la temperatura.

## *EL CONGELADOR NO ENFRIA LO SUFICIENTE*

- El control de temperatura ha sido ajustado muy bajo. Ajuste y espere varias horas para que se establezca la temperatura.
- Se está abriendo la tapa con mucha frecuencia o por mucho tiempo.
- Se ha almacenado mucha cantidad de alimentos calientes o tibios y esto requiere algún tiempo para que se enfríe.
- La tapa del congelador está ligeramente abierta.
- El congelador se desconectó recientemente y necesita tiempo para enfriarse nuevamente.

## *EL CONGELADOR ARRANCA CON DEMASIADA FRECUENCIA*

- El paquete está obstruyendo la tapa dejándola abierta o se ha dejado abierta por mucho tiempo.

## *EL CONGELADOR DEMORA MUCHO EN DETENERSE*

- El control de temperatura ha sido ajustado muy alto.
- El congelador puede estar manteniendo una temperatura estable.
- La temperatura ambiental o exterior es muy cálida. Bajo estas condiciones el congelador tendrá que trabajar más para enfriarse.
- El congelador se desconectó recientemente y necesita tiempo para enfriarse nuevamente.
- Se ha almacenado mucha cantidad de alimentos calientes o tibios y esto requiere algún tiempo para que se enfríe.
- Se está abriendo la tapa con mucha frecuencia o por mucho tiempo.
- La tapa del congelador está ligeramente abierta.
- La junta de la tapa está sucia, gastada, dañada, o mal colocada. Limpie o cambie la junta. Los escapes de aire por la puerta del congelador provocan que el congelador trabaje más para mantener la temperatura deseada.

## *DEMASIADO RUIDO*

- El piso es débil y la congelador vibra cuando el compresor está funcionando.
- El congelador no está a nivel con el piso. Cálcela para solucionar el problema.

## *SONIDO DE BORBOTEO*

- Este tipo de ruido puede escucharse cuando el refrigerante esté circulando por la máquina. Esto es normal.

### **EL CONGELADOR SE DEMORA MUCHO EN ARRANCAR LUEGO DE HABERIA APAGADO**

- El sistema de protección contra sobrecarga está trabajando.
- Cuando el nivel de ruido de los alrededores es bajo, puede que escuche el sonido del compresor. Esto es normal ya que el congelador necesita de un compresor de alta eficiencia.

### **SUPERFICIE EXTERIOR MUY CÁLIDA**

- Las paredes exteriores del congelador pueden estar 30°F (11°C) más cálidas que la temperatura ambiental. Esto es normal.

### **MUCHO RUIDO AL ARRANCAR EL COMPRESOR**

- Durante el arranque en el ciclo "ON" el congelador funciona a altas presiones. Esto es normal. El sonido se nivelará o desaparecerá a medida que el congelador continúe funcionando.

### **LIGERO ESTALLIDO O CHASQUIDO AL ARRANCAR EL COMPRESOR**

- Esto es normal. Las partes metálicas dentro del congelador se expanden y se contraen. El sonido se nivelará o desaparecerá a medida que el congelador continúe funcionando.

### **VIBRACIONES O TRAQUETEO**

- El congelador no está nivelado.
- El piso no está parejo o es débil.

### **MAL OLOR EN EL CONGELADOR**

- Se necesita limpiar el interior del congelador.

## **Consejos para ahorrar energía eléctrica**

- Tenga cuidado de no dejar la tapa abierta. Asegúrese siempre de cerrarla correctamente.
- Trate de no abrir el congelador con demasiada frecuencia, particularmente si la temperatura ambiental es húmeda y cálida.
- Organice los alimentos en la congelador con frecuencia para que sea más fácil encontrar lo que usted busca.
- El lugar donde se coloque el congelador es muy importante. No la situe en lugares cálidos y de poca ventilación, al lado de equipos de calefacción o en contacto con la luz solar.
- Si ajusta el control de temperatura al máximo para congelar más rápido, no olvide volver a ajustarlo a la temperatura normal.
- Descongele el congelador tan pronto como el espesor del hielo alcance 1/4".
- Un congelador que esté lleno se mantiene más tiempo frío que uno que solo esté parcialmente llena. Un congelador llena de carnes se mantiene más tiempo frío que uno que esté llena de productos horneados.
- Descongele el congelador tan pronto como el espesor del hielo alcance 1/4".
- Deje que los alimentos cálidos alcancen temperatura ambiental antes de colocarlos en el congelador. Sobrecargar el congelador provoca que el compresor tenga que trabajar más. Los alimentos que se demoren en congelarse pueden perder calidad o echarse a perder.
- Descongele el congelador tan pronto como el espesor del hielo alcance 1/4".
- Asegúrese de envolver bien los alimentos y secar los recipientes antes de ponerlos en el congelador. Esto disminuye la acumulación de escarcha en el congelador.
- Descongele el congelador tan pronto como el espesor del hielo alcance 1/4".
- Los estantes y canastas no deben recubrirse con papel de aluminio, papel encerado, o papel toalla. Los recubrimientos interfieren con la circulación de aire frío y hace que el congelador sea menos eficiente.

## **Consejos para cuando se muda o vaya de vacaciones**

**Vacaciones cortas ( menos de 3 semanas):** deje el congelador funcionando.

**Vacaciones largas:** si el congelador no se va a usar por varios meses, saque toda la comida y desconéctelo de la fuente eléctrica. Limpie y seque bien el interior del congelador. Para prevenir la acumulación de moho y malos olores, deje la puerta de congelador ligeramente abierta; si es necesario puede bloquear la puerta.

**Mudanza:** desconecte el cable de la fuente eléctrica. Saque la comida, descongele y limpie el congelador. Asegure todas las partes móviles, tales como paneles de base, canastas, y estantes con una cinta de pegar para prevenir daños a los mismos. Cuando se transporte el congelador, asegúrelo para prevenir movimientos. Proteja el exterior del congelador con una frazada o algo similar.



