

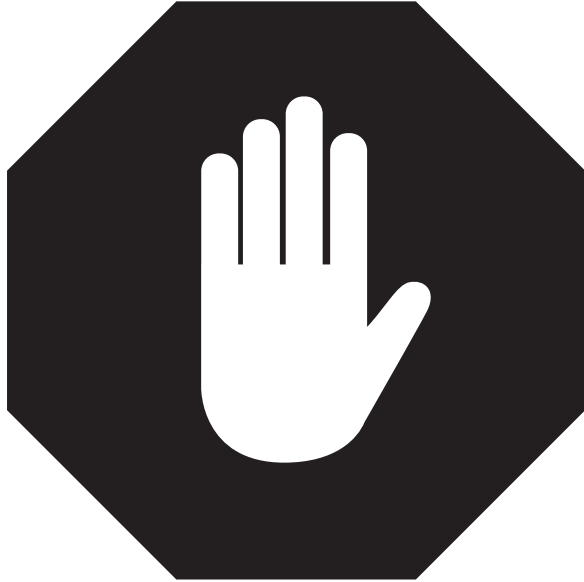
**Danby**<sup>®</sup>

Model • Modèle • Modelo  
DAR044A6MDB / DAR044A6LDB  
DAR044A6PDB / DAR044A6DDB

## CONTEMPORARY CLASSIC

All Refrigerator  
Tout réfrigérateur  
Toda refrigeradora





**1-800-263-2629  
(1-800-26-DANBY)**

**DO NOT RETURN THIS UNIT TO THE RETAILER  
WITHOUT FURTHER INSTRUCTIONS**

Dear valued customer, we hope your Danby product purchase fulfills all your requirements. Your satisfaction is our priority!  
Please contact us at our toll free consumer service number for any inquiries you may have about your new unit.

**NE PAS RETOURNER CET APPAREIL CHEZ LE  
DÉTAILLANT SANS CONSIGNES SUPPLÉMENTAIRES**

Cher(ère) client(e) important(e), nous espérons que votre produit Danby répond à tous vos besoins. Votre satisfaction est notre priorité!  
Veuillez nous contacter au numéro gratuit de service après-vente, si vous avez des questions quelconques à propos de votre nouvel appareil.

**NO DEVUELVA ESTA UNIDAD A LA TIENDA SIN  
INSTRUCCIONES ADICIONALES**

Estimado cliente, esperamos que el producto Danby que ha comprado satisfaga completamente sus necesidades. Su satisfacción es nuestra prioridad!  
Por favor, contáctenos gratuitamente a nuestro número de Servicio al Cliente para cualquier pregunta que tenga sobre su nuevo electrodoméstico.

# CONTENTS

# TABLE DES MATIÈRES

# ÍNDICE

## ALL REFRIGERATOR

### Owner's Use and Care Guide .....1-9

- Welcome
- Important Safety Information
- Features
- Installation Instructions
- Operation Instructions
- Care and Maintenance
- Troubleshooting
- Warranty

## TOUT RÉFRIGÉRATEUR

### Guide d'utilisation et d'entretien du propriétaire.....10-18

- Bienvenue
- Consignes de sécurité importantes
- Caractéristiques
- Consignes d'installation
- Consignes d'utilisation
- Soins et entretien
- Dépannage
- Garantie

## TODA REFRIGERADORA

### Guía de utilización y cuidado para el propietario.....19-27

- Bienvenido
- Información importante sobre seguridad
- Características
- Instrucciones de instalación
- Instrucciones de funcionamiento
- Cuidado y mantenimiento
- Solución sugerida
- Garantía

### ⚠ CAUTION:

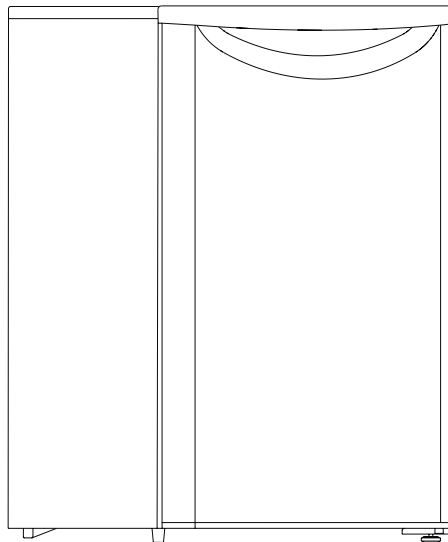
Read and follow all safety rules and operating instructions before first use of this product.

### ⚠ PRÉCAUTION :

Veillez lire attentivement les consignes de sécurité et les instructions d'utilisation avant l'utilisation initiale de ce produit.

### ⚠ PRECAUCIÓN:

Lea y observe todas las reglas de seguridad y las instrucciones de operación antes de usar este producto por primera vez.



Model • Modèle • Modelo

DAR044A6MDB / DAR044A6PDB / DAR044A6DDB / DAR044A6LDB

# Thank you for choosing Danby

We know you're excited. We are too! However, the more familiar you are with your new appliance, the better experience you will have. We therefore strongly suggest that you **read this Owner's Manual before plugging in your new appliance**. It contains important operational information that will help you make full use of the technical features available in your Danby appliance. The manual also contains information designed to enhance operating reliability and safety, as well as tips to maintaining your new appliance so that it brings you happiness for years to come.

Please visit [www.danby.com](http://www.danby.com) to access self-service tools, FAQs and more. Should you need additional assistance, please call 1-800-26-DANBY (1-800-263-2629).

**Note: You will need the below information to obtain service under warranty.  
To receive service, you must provide the original receipt.**

<b>Model Number:</b>	_____
<b>Serial Number:</b>	_____
<b>Date of Purchase:</b>	_____

## NEED HELP?

Before you call for service, here are a few things you can do to help us serve you better:

**Read this Owner's Manual:**

It contains instructions to help you use and maintain your appliance properly.

**If you received a damaged appliance:**

Immediately contact the retailer (or builder) that sold you the appliance.

**Save time and money:**

Check the Troubleshooting section at the end of the guide before calling. This section helps you solve common problems that may occur.

If you do need service, you can relax, knowing help is only a phone call away.



1-800-26-**Danby**  
(1-800-263-2629)



## Important Safety Information

### READ AND FOLLOW ALL SAFETY INSTRUCTIONS

Please ensure that component parts shall be replaced with like components and that servicing shall be done by factory authorized service personnel, so as to minimize the risk of possible ignition due to incorrect parts or improper service.

This appliance must be grounded. In the event of an electrical short circuit, grounding reduces the risk of electrical shock by providing an escape wire for the electrical current.

## ELECTRICAL REQUIREMENTS

### WARNING

**ELECTRICAL RATING:** The serial rating plate indicates the voltage and frequency the unit is designed for.

Due to possible variations in line voltage (caused by overloading of circuits), it is advisable to install a separate fuse circuit from the meter panel. This will help to eliminate current fluctuation which might cause motor trouble.



### IMPORTANT WARNING

An empty refrigerator is a very dangerous attraction to children. Remove either the gasket or lid from unused appliances, or take some other action that will guarantee it harmless.

**DANGER:** Risk of child entrapment. Before you throw away your old refrigerator:

- Take off doors.
- Leave the shelves in place so that children may not easily climb in.

**DON'T WAIT! DO IT NOW!**



### WARNING! EXPLOSION HAZARD!

Risk of fire or explosion due to puncturing of refrigerant tubing. Do not use sharp objects to aid in defrost. Please handle with care. Keep flammable materials and vapors such as gasoline away from the refrigerator. Use nonflammable cleaner.

Disposal of this unit should be in accordance with federal and local regulations.

## GROUNDING INSTRUCTIONS

This appliance is equipped with a cord having a grounding wire with a grounding plug. The plug must be plugged into an outlet that is properly installed and grounded.

**WARNING** - Improper use of the grounding plug can result in a risk of electric shock. Consult a qualified electrician or service agent if the grounding instructions are not completely understood, or if doubt exists as to whether the appliance is properly grounded.

### DO NOT USE AN EXTENSION CORD

Use an exclusive 115V wall outlet. Do not connect your refrigerator to extension cords or together with another appliance in the same wall outlet. Do not splice the cord.

**SAVE THESE INSTRUCTIONS!**



## **Important Safety Information**

### **READ AND FOLLOW ALL SAFETY INSTRUCTIONS**

- This appliance is not intended for use by persons (including children) whose physical, sensory or mental capabilities may be different or reduced, or who lack experience or knowledge, unless such persons receive supervision or training to operate the appliance by a person responsible for their safety.
- Children should be supervised to ensure that they do not play with the appliance.
- Do not use extension cords or ungrounded (two prongs) adapters.
- If the supply cord is damaged, it must be replaced by the manufacturer, its service agent or similar qualified person in order to avoid hazard.
- **WARNING** Keep ventilation openings, in the appliance enclosure or in the built-in structure, clear of obstruction.
- **WARNING** Do not use mechanical devices or other means to accelerate the defrosting process, other than those recommended by the manufacturer.
- **WARNING** Do not damage the refrigerant circuit.
- **WARNING** Do not use electrical appliances inside the food storage compartments of the appliance, unless they are of the type recommended by the manufacturer.
- This unit is 52.7 cm (20.75 inches) wide by 84 cm (33.07 inches) high by 54.1 cm (21.3 inches) deep, please make sure that you leave the minimum amount of space between the unit and all surrounding walls and vents (see location section). Do not cover any of the ventilation openings with any material as the unit needs adequate space to breathe.

## **ENERGY SAVING TIPS**

- Try not to open the door too often, especially when the weather is hot and humid. Once you open the door, close it as soon as possible.
- Every now and then check if the appliance is sufficiently ventilated (adequate air circulation behind the appliance).
- Set the thermostat from cooler to warmer settings whenever possible (depending on how loaded the appliance is, ambient temperatures etc.).
- Before loading the appliance with packages of hot food, make sure that they are cooled to ambient temperature.
- Ice and frost layers increase energy consumption, so clean the appliance as soon as the frost layer is 3-5 mm thick.
- If the gasket is damaged or the door seal is poor, energy consumption is substantially higher. To restore efficiency, replace the gasket.
- Always consider instructions stated in this manual.
- This unit is not designed for outside installation, including installation anywhere that is not temperature controlled (including garages, porches, carports, etc.).

## **DISPOSING OF YOUR OLD APPLIANCE**

The refrigerator system of the appliance is filled with refrigerant and insulating substances which should be separately treated and processed. Call your nearest authorized service agent or specialized servicing centre. If you are unable to locate one, contact your local authorities or your distributor. Be careful not to damage any tubes that may be on the rear wall of the appliance.

**SAVE THESE INSTRUCTIONS!**



## Installation Instructions

Remove exterior and interior packaging, wipe the outside thoroughly with a soft dry cloth and the inside with a luke-warm, wet cloth. Avoid placing the unit in a narrow recess or near any heat source, direct sunlight or moisture. Let air circulate freely around the unit. Keep the rear of the refrigerator 5 inches (12.7 cm) away from the wall.

### LOCATION

1. Select a place with a strong, level floor.
2. Allow 5 inches (12.7 cm) of space between the back of the refrigerator and any adjacent wall.
3. Avoid direct sunlight and heat. Direct sunlight could damage the unit. Heat sources nearby will cause higher electricity consumption.
4. Avoid moist places. Too much moisture in the air will cause frost to form very quickly on the evaporator, and your refrigerator will have to be defrosted more frequently.

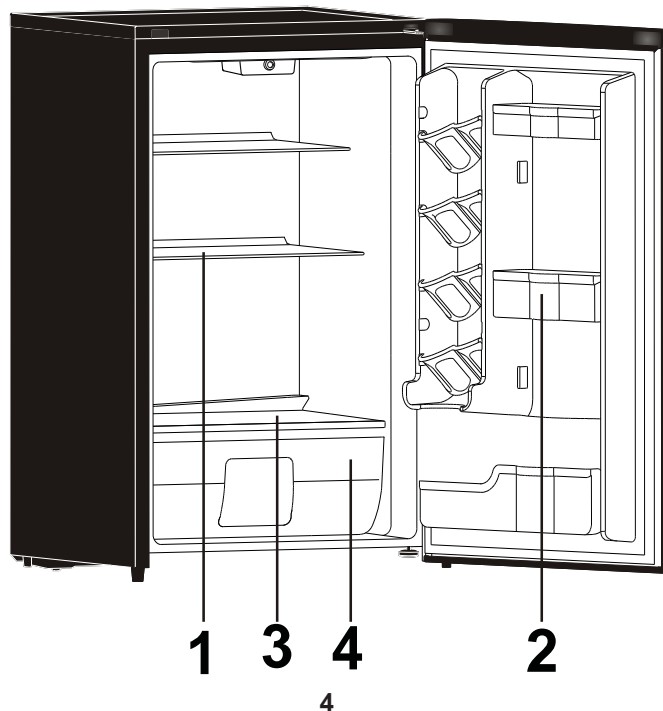
### INSTALLATION

Place the appliance firmly on a solid base. Some appliances have adjustable feet on the front side; use them to level the appliance (*some models only*).

**NOTE: This appliance is intended for FREE-STANDING INSTALLATION ONLY and is NOT intended to be built-in. This appliance is approved for INDOOR USE ONLY and is NOT intended for outdoor operation.**

### FEATURES

1. **Slide Out Glass Shelves:** (Number and type of shelves depends on the model). Shelf can be arranged on any of the rails inside the appliance. It is protected against being pulled out accidentally. If you want to remove a shelf, slightly lift up the front part and pull it out. Perishable foods should be stored towards the back/rear of the shelves.
2. **Door Liner:** The door liner consists of various shelves or holders used for storing eggs, cheese, butter and yogurt as well as other smaller packages, tubes, cans etc. The lower shelf is used for storing large bottles.
3. **Defrost Water Outlet:** The interior of the refrigerator is cooled with a cooling plate mounted in the rear wall. Under the plate there is a channel and an outlet for defrost water. Regularly check the defrost water outlet and the drain channel for blockage. They should always be kept free and clear of food particles. If the drain outlet does become clogged, use a plastic straw or pipe-cleaner to clear it.
4. **Fruit and Vegetable Crisper:** The crisper drawer is on the bottom of the appliance under the glass shelf. It provides adequate humidity which is beneficial to fruits and vegetables (less dehydration).





## Operating Instructions

### TEMPERATURE SELECTION

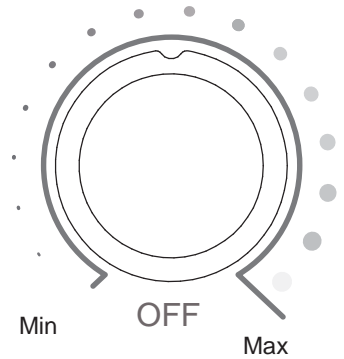
The temperature of the refrigerator is controlled by setting the thermostat knob (on the ceiling of the cabinet) to a desired setting.

To start the refrigerator, turn the temperature control knob to the position corresponding to the desired cooling setting.

The refrigerator temperature will vary depending on the quantity of food stored and on the frequency with which the door is opened.

To turn the control to the "OFF" position, rotate the control knob to the "OFF" position. If the refrigerator is not going to be used for long time periods, disconnect the plug and leave the door partially open. This will help to prevent mold/mildew from accumulating inside the refrigerator cabinet.

Changes in ambient room temperature will affect internal refrigerator temperatures, adjust the thermostat knob accordingly. In the OFF position, the appliance does not operate (cooling system is switched off,) yet the power supply is not interrupted (the light is on when you open the refrigerator door.) Temperature in the refrigerator is dependent on how often the door is opened.



### DEFROSTING YOUR APPLIANCE

There is no need to defrost the refrigerator, because ice deposits on the inner back wall are defrosted automatically.

Ice build-up on the inner back wall during the compressor operation will defrost automatically (when the compressor has cycled off). Defrost water collects inside the drain passing through the drain outlet in the inner back wall into a drain pan situated above the compressor from where it evaporates.

### FOOD STORAGE SUGGESTIONS

#### Fresh Food Compartment

- Never cover food compartment shelves with aluminum foil or any other shelf covering material which may prevent air circulation.
- Always remove porous store wrapping paper from meats, poultry and fish. Meats should be wrapped individually and placed in a dish for storage. Wrap fish and poultry in foil or heavy waxed paper. Most fish should be used the same day of purchase. Packaged meats such as ham, bacon, dried beef, or frankfurter, store best in their original packages.
- Allow warm foods to cool to room temperature before placing them in the refrigerator.
- Always cover open dishes of food, especially leftovers. Use leftovers within 2 or 3 days.





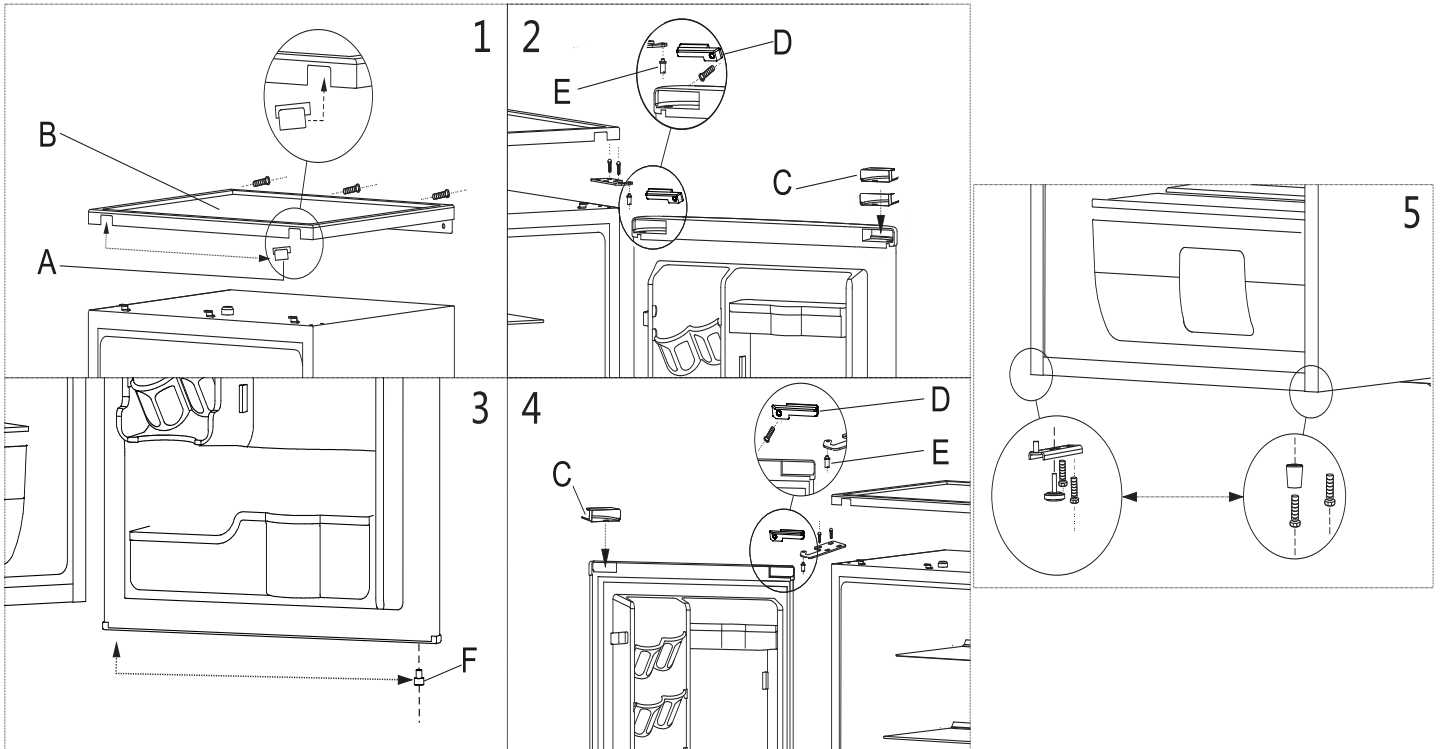
# Operating Instructions

## DOOR REVERSAL INSTRUCTIONS

### CAUTION

To avoid personal injury to yourself and/or property, we recommend someone assist you during the door reversal process.

If you find the direction of opening the door on your appliance inconvenient, you can change it by following the steps shown in the diagrams.



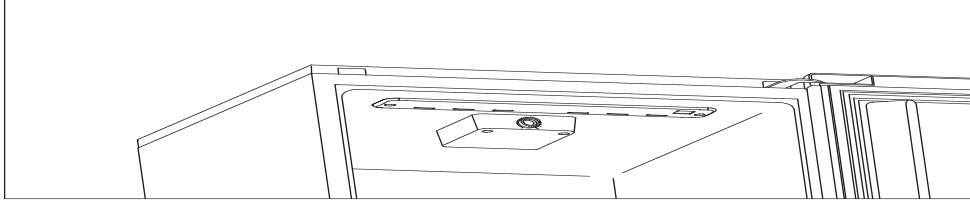
1. Remove the three (3) screws from the back of the worktop, lift the back of the worktop slightly and pull the worktop forward, this will remove the worktop. See Figure 1.
2. Remove the left or right door strip cover (depending on which side you are moving the door to) and the left or right hinge cover, then remove the two (2) upper hinge screws and remove the upper hinge. Remove the hinge pin from the door, move it to the other side of the door. See Figure 2.
3. Loosen the upper door spindle and remove the door assembly. See Figure 2.
4. Install the upper door spindle to the opposite side of the upper hinge, place the upper hinge onto the other side of the cabinet, install the door strip cover and the hinge cover to the opposite side of where you removed it. See Figure 4.
5. Loosen the adjustable foot and remove the two (2) screws around it. Remove the two (2) bottom hinge screws, remove the bottom hinge. Reinstall the foot and two (2) screws where the bottom hinge used to be. Install the bottom hinge where the foot used to be. See Figure 5.
6. Make necessary adjustments to the upper hinge and bottom hinge, reinstall the worktop in reverse order of removing it.



## Care and Maintenance

### INTERIOR LIGHT

When the door is open, the LED light turns on. When the door is closed, the LED light turns off. In the event that your LED light burns out, please contact a Danby certified service technician. Please note, the functionality of the unit is not affected if the light has burned out.



### CLEANING THE APPLIANCE

- Turn the temperature control to the “OFF” or “0” position, unplug the unit and remove the food and interior accessories.
- Wash the inside with a warm water and baking soda solution. The solution should be about 2 tablespoons of baking soda to a quart of water.
- Wash the baskets and interior accessories with a mild detergent solution.
- The outside of the unit should be cleaned with mild detergent and warm water.

**Caution:** Failure to unplug the appliance could result in electrical shock or personal injury.

### POWER FAILURE

Most power failures are corrected within a few hours and should not affect the temperature of your refrigerator and/or freezer if you minimize the number of times the door is opened. If the power is going to be off for a longer period of time, you need to take the proper steps to protect your food.

### VACATION TIME

**Short vacations:** Leave the unit operating during vacations of less than three weeks.

**Long vacations:** If the appliance will not be used for several months, remove all food and unplug the power cord. Clean and dry the interior thoroughly. To prevent odor and mold growth, leave the door open slightly, blocking it open if necessary.

### IF YOU MOVE

Remove or securely fasten down all loose items inside the unit. To avoid damaging the leveling legs (some models), turn them all the way into the base.

#### SOME IMPORTANT RULES FOR THE CORRECT USE OF THE REFRIGERATOR

- Never place hot foods in the refrigerator.
- Never place spoiled foods in the refrigerator.
- Don't overload the refrigerator.
- Don't open the door unless necessary.
- Should the refrigerator be stored without use for long periods, it is suggested, after a careful cleaning, to leave the door ajar to allow the air to circulate inside the unit in order to avoid possible formations of condensation, mold or odors.



## Troubleshooting

Occasionally, a minor problem may arise, and a service call may not be necessary - use this troubleshooting guide for a possible solution. If the unit continues to operate improperly, call an authorized service depot or **Danby's Toll Free Number** for assistance.

Tel: 1-800-26-**Danby**® (1-800-263-2629)

PROBLEM	POSSIBLE CAUSE	SOLUTION
<b>Does not work</b>	<ul style="list-style-type: none"> <li>No power to unit</li> <li>Power cord is unplugged</li> <li>Wrong voltage is being used</li> </ul>	<ul style="list-style-type: none"> <li>Check connection of power cord to power source</li> <li>Plug in the unit</li> <li>Use proper voltage</li> </ul>
<b>Refrigerator runs continuously</b>	<ul style="list-style-type: none"> <li>Temperature set too low</li> <li>Door is not closed</li> <li>Hot food inserted</li> <li>Door opened too long or too often</li> <li>Close proximity to heat source or direct sunlight</li> </ul>	<ul style="list-style-type: none"> <li>Set temperature higher</li> <li>Close door securely</li> <li>Be sure food is at room temperature before inserting</li> <li>Minimize door openings/duration</li> <li>Do not place unit close to heat sources or direct sunlight</li> </ul>
<b>Internal temperature not cold enough</b>	<ul style="list-style-type: none"> <li>No power to unit</li> <li>Power cord is unplugged</li> <li>Temperature control set too high (too warm)</li> <li>Door is not closed</li> <li>Hot food inserted</li> <li>Door opened too long or too often</li> <li>Air flow obstruction</li> <li>Wrong voltage is being used</li> <li>Close proximity to heat source or direct sunlight</li> </ul>	<ul style="list-style-type: none"> <li>Check connection of power cord to power source</li> <li>Plug in unit</li> <li>Check setting and increase as needed</li> <li>Close door securely</li> <li>Be sure that food is at room temperature</li> <li>Minimize door openings/duration</li> <li>Allow room for air to circulate around the unit</li> <li>Use proper voltage</li> <li>Do not place unit close to heat sources or direct sunlight</li> </ul>
<b>Ice formation on the inner rear wall</b>	<ul style="list-style-type: none"> <li>The door is not sealing properly</li> <li>The door is frequently opened or left open too long</li> <li>The food in the refrigerator is warm</li> <li>The dish is touching the inner back wall</li> </ul>	<ul style="list-style-type: none"> <li>Ensure the door is sealing properly</li> <li>Only open the door when necessary</li> <li>Cool food to room temperature before inserting it in the refrigerator</li> <li>Ensure nothing is touching the back wall</li> </ul>
<b>Water is leaking from the refrigerator</b>	<ul style="list-style-type: none"> <li>Water pipe is clogged and defrost water drips over the channel</li> </ul>	<ul style="list-style-type: none"> <li>Clean the clogged pipe with a pipe cleaner or plastic straw</li> </ul>
<b>Unit is vibrating or there is a noise</b>	<ul style="list-style-type: none"> <li>The appliance is not level or is not installed on a firm solid base/floor</li> <li>Appliance is touching a wall or other kitchen appliances are standing next to it</li> <li>The accessories inside the appliance are not installed correctly. Bottles or cans may be touching each other causing rattling and/or vibrations</li> </ul>	<ul style="list-style-type: none"> <li>Always make sure that the appliance is leveled and installed on a firm solid base/floor</li> <li>The appliance should not touch any wall or other kitchen appliance</li> <li>Ensure the accessories inside the appliance are correctly installed so that they do not touch each other causing rattling or vibrations</li> </ul>

## LIMITED IN-HOME APPLIANCE WARRANTY

This quality product is warranted to be free from manufacturer's defects in material and workmanship, provided that the unit is used under the normal operating conditions intended by the manufacturer.

This warranty is available only to the person to whom the unit was originally sold by Danby Products Limited (Canada) or Danby Products Inc. (U.S.A.) (hereafter "Danby") or by an authorized distributor of Danby, and is non-transferable.

### TERMS OF WARRANTY

Plastic parts, are warranted for thirty (30) days only from purchase date, with no extensions provided.

*First year* During the first twelve (12) months, any functional parts of this product found to be defective, will be repaired or replaced, at warrantor's option, at no charge to the ORIGINAL purchaser.

*To obtain service* Danby reserves the right to limit the boundaries of "In Home Service" to the proximity of an Authorized Service Depot. Any appliance requiring service outside the limited boundaries of "In Home Service", it will be the consumer's responsibility to transport the appliance (at their own expense) to the original retailer (point of purchase) or a service depot for repair. See "Boundaries of In Home Service" below. Contact your dealer from whom your unit was purchased, or contact your nearest authorized Danby service depot, where service must be performed by a qualified service technician. If service is performed on the units by anyone other than an authorized service depot, or the unit is used for commercial application, all obligations of Danby under this warranty shall be void.

*Boundaries of in-home service* If the appliance is installed in a location that is 100 kilometres (62 miles) or more from the nearest service centre your unit must be delivered to the nearest authorized Danby Service Depot, as service must only be performed by a technician qualified and certified for warranty service by Danby. Transportation charges to and from the service location are not protected by this warranty and are the responsibility of the purchaser.

Nothing within this warranty shall imply that Danby will be responsible or liable for any spoilage or damage to food or other contents of this appliance, whether due to any defect of the appliance, or its use, whether proper or improper.

### EXCLUSIONS

Save as herein provided, by Danby, there are no other warranties, conditions, representations or guarantees, express or implied, made or intended by Danby or its authorized distributors and all other warranties, conditions, representations or guarantees, including any warranties, conditions, representations or guarantees under any Sale of Goods Act or like legislation or statute is hereby expressly excluded. Save as herein provided, Danby shall not be responsible for any damages to persons or property, including the unit itself, howsoever caused or any consequential damages arising from the malfunction of the unit and by the purchase of the unit, the purchaser does hereby agree to indemnify and hold harmless Danby from any claim for damages to persons or property caused by the unit.

### GENERAL PROVISIONS

No warranty or insurance herein contained or set out shall apply when damage or repair is caused by any of the following:

- 1) Power failure.
- 2) Damage in transit or when moving the appliance.
- 3) Improper power supply such as low voltage, defective house wiring or inadequate fuses.
- 4) Accident, alteration, abuse or misuse of the appliance such as inadequate air circulation in the room or abnormal operating conditions (extremely high or low room temperature).
- 5) Use for commercial or industrial purposes (i.e., If the appliance is not installed in a domestic residence).
- 6) Fire, water damage, theft, war, riot, hostility, acts of God such as hurricanes, floods etc.
- 7) Service calls resulting in customer education.
- 8) Improper Installation (i.e., building-in of a free standing appliance or using an appliance outdoors that is not approved for outdoor application). Proof of purchase date will be required for warranty claims; so, please retain bills of sale. In the event warranty service is required, present this document to our AUTHORIZED SERVICE DEPOT.

**Warranty Service**  
In-home

Danby Products Limited  
PO Box 1778, Guelph, Ontario, Canada N1H 6Z9  
Telephone: (519) 837-0920 FAX: (519) 837-0449

**1-800-263-2629**  
07/14

Danby Products Inc.  
PO Box 669, Findlay, Ohio, U.S.A. 45840  
Telephone: (419) 425-8627 FAX: (419) 425-8629

# Merci d'avoir choisi Danby

Nous savons que vous êtes excité. Nous sommes aussi! Cependant, le plus que vous vous familiarisez avec votre nouvel appareil, le mieux va être votre expérience. Nous suggérons donc de **lire ces instructions avant connecter votre nouvel appareil**. Ce manuel contient des informations opérationnel important qui vous aidera à faire un usage pleine de les caractéristiques techniques disponibles dans votre appareil Danby. Le manuel contient également des informations conçu pour améliorer la fiabilité et la sécurité de votre appareil ainsi que des conseils pour le maintien, pour vous assurez des années de bonheur.

Se il vous plaît visitez [www.danby.com](http://www.danby.com) pour accéder les outils libre-service, FAQ et plus encore. Si jamais vous avez besoin d'aide supplémentaire, s'il vous plaît appelez 1-800-26-Danby (1-800-263-2629). S'il vous plaît ayez votre facture d'achat, le numéro de modèle, et le numéro de série près durant l'appel.

**Remarque : Ces renseignements seront nécessaires si votre appareil a besoin d'entretien ou pour les demandes de renseignements généraux. Pour bénéficier d'une opération de maintenance ou de dépannage, le reçu original sera exigé.**

**Numéro de modèle :** \_\_\_\_\_

**Numéro de serie :** \_\_\_\_\_

**Date d'achat :** \_\_\_\_\_

## BESOIN D'ASSISTANCE ?

Veillez trouver quelques conseils avant de faire appel à nos services, cela nous aidera à mieux vous servir :

**Lisez ce guide :**

Il comprend des instructions pour l'utilisation et l'entretien adapté de votre appareil.

**Si votre nouvel appareil est endommagé :**

Contactez immédiatement le revendeur (ou le fabricant).

**Gagnez du temps et de l'argent :**

Avant de faire appel à nos services, consultez à nouveau la section « Dépannage ». Cette section vous aidera à résoudre des problèmes courants.

Si une réparation est nécessaire, ne vous inquiétez pas, la solution est au bout du fil.



1-800-26-**Danby**  
(1-800-263-2629)



## Consignes de sécurité importantes

**PRENDRE CONNAISSANCE DE TOUTES LES INFORMATIONS RELATIVES À LA SÉCURITÉ AVANT D'UTILISER LE PRODUIT**

Veillez vous assurer que les pièces de rechange sont remplacées par des pièces similaires, et que l'entretien soit effectué par un technicien agréé par l'usine, afin réduire le risque d'incendie à cause de mauvaises pièces ou d'entretien mal fait.

Cet appareil doit être mis à la terre. En cas de court-circuit, la mise à la terre réduit les risques de décharge électrique en fournissant un échappatoire au courant électrique. L'appareil est muni d'un cordon électrique comprenant un fil de mise à la terre et une fiche de terre.

## CONDITIONS ÉLECTRIQUES

### ATTENTION

**ÉNERGIE ÉLECTRIQUE** : Le voltage et la fréquence requis pour ce réfrigérateur sont indiqués sur la plaque d'identification.

Dû aux variations possibles sur la ligne de voltage (causé par une surcharge des circuits) il est recommandé d'installer un circuit séparé avec fusibles à partir du panneau compteur. Ceci aidera à éliminer les fluctuations du courant qui peuvent endommager le moteur.



### AVERTISSEMENT IMPORTANT!

Un réfrigérateur vide peut représenter un attrait dangereux aux enfants. Retirer le joint d'étanchéité, les loquets, les couvercles ou portes des appareils ménagers inutilisés, ou prenez d'autres mesures qui assureront que l'appareil ne posera aucun danger.

**DANGER** : Risque de piéger un enfant. Avant de mettre votre vieux congélateur ou réfrigérateur au rebut :

- Enlever les portes.
- Laisser les tablettes en place afin que les enfants ne puissent pas facilement y entrer.

**N'ATTENDEZ PAS! FAITES-LE IMMÉDIATEMENT!**



### AVERTISSEMENT! DANGER D'EXPLOSION!

Risque d'incendie ou d'explosion causé par la perforation de tuyaux frigorigènes. Ne jamais utiliser un objet pointu pour assister au dégel. Manipuler avec soin. Garder les matériaux et vapeurs inflammables comme de l'essence loin du réfrigérateur. Utiliser un nettoyant ininflammable.

La mise au rebut de cet item doit être faite selon les lois locales et fédérales.

## MISE À LA TERRE

L'appareil est muni d'un cordon électrique comprenant un fil de mise à la terre et une fiche de terre. Branchez la fiche dans une prise de courant correctement installée et mise à la terre.

**AVERTISSEMENT** - Une fiche de mise à la terre mal branchée peut entraîner un risque d'incendie, de choc électrique ou de blessures aux personnes qui utilisent l'appareil. Si vous n'êtes pas certain que l'appareil est correctement mis à la terre, consultez un préposé du service qualifié.

### N'UTILISER JAMAIS DE FIL DE RALLONGE

Branchez le réfrigérateur à son propre circuit de 115V. N'utilisez pas de rallonge électrique pour brancher votre réfrigérateur. Ne branchez pas le réfrigérateur à une prise femelle multiple qui sera également utilisée pour d'autres appareils électriques. N'épissez pas le cordon électrique.

**CONSERVEZ CES INSTRUCTIONS!**



## Consignes de sécurité importantes

### **PRENDRE CONNAISSANCE DE TOUTES LES INFORMATIONS RELATIVES À LA SÉCURITÉ AVANT D'UTILISER LE PRODUIT**

- Ce dispositif n'est pas désigné d'être utilisé par des personnes (y compris enfants) dont le développement et capacité physique, sensoriel ou mental est différente ou réduite, ou par les personnes qui manquent d'expérience ou de connaissance sauf si ces personnes sont surveillées ou formées par une personne responsable de leur sécurité.
- Les enfants doivent être surveillés pour s'assurer qu'ils ne jouent pas avec l'appareil.
- Ne pas utiliser de rallonges et des adaptateurs (avec 2 prises) qui ne sont pas de mise à la terre.
- Pour éviter les risques, si le cordon est endommagé, il doit être remplacé par le fabricant, son agent de service ou une personne qualifiée.
- **AVERTISSEMENT** Les prises d'air de l'enceinte de l'appareil ou de la structure encastré doivent être dégagées en tout temps.
- **AVERTISSEMENT** Ne pas utiliser d'appareils mécaniques ou autres moyens pour accélérer le dégivrage que ceux recommandés par le fabricant.
- **AVERTISSEMENT** Ne pas endommager le circuit frigorigène.
- **AVERTISSEMENT** Ne pas utiliser d'appareils électriques à l'intérieur du compartiment de conservation des aliments de cet appareil, sauf s'ils sont du type recommandé par le fabricant.
- Cette unité est 52,7 cm (20,75 pouces) de large par 84 cm (33,07 pouces) de haut par 54,1 cm (21,3 pouces) de profondeur; S'il vous plaît assurez-vous de laisser le dégagement minimum d'entre l'appareil et tous les murs environnants et les ouvertures (voir l'emplacement). Ne couvrez pas les ouvertures de ventilation avec un matériau parce que l'unité a besoin d'espace de respiration adéquate.

## **CONSEILS RELATIFS AUX ÉCONOMIES D'ÉNERGIE**

- Essayez de ne pas ouvrir la porte trop fréquemment, surtout lorsque les conditions météorologiques sont chaudes et humides. Une fois la porte ouverte, fermez-la dès que possible.
- Vérifiez de temps en temps si l'appareil est suffisamment ventilé (si l'air circule bien derrière l'appareil).
- Réglez le thermostat dès que possible pour que les paramètres passent d'une valeur élevée à moins élevée (en fonction du volume de l'appareil occupé par les aliments, de la température de la pièce, etc.).
- Avant de mettre au réfrigérateur des emballages contenant des aliments frais, assurez-vous qu'ils sont refroidis à la température de la pièce.
- La présence de couches de glace et de givre augmente la consommation d'énergie; nettoyez l'appareil dès que l'épaisseur de la couche de givre atteint 3 à 5 mm.
- Lorsque le joint d'étanchéité est endommagé ou que la porte ne ferme pas hermétiquement, la consommation d'énergie est considérablement plus élevée. Afin de rétablir l'efficacité remplacez le joint d'étanchéité.
- Il convient de toujours prendre en compte les directives figurant dans le guide d'utilisation.
- Cet appareil n'a pas été conçu pour une installation extérieure, incluant l'installation dans un endroit qui n'a pas une température contrôlée (y compris les garages, les vérandas, les abris de voitures, etc.).

## **ÉLIMINATION DES APPAREILS USÉS**

Le système frigorifique de l'appareil contient un fluide frigorigène et des substances isolantes qui doivent être transformés et traités séparément. Appelez votre réparateur autorisé ou centre de réparations spécialisé le plus proche. Si vous êtes dans l'impossibilité d'en trouver un, contactez les autorités ou le distributeur de votre localité. Prenez soin de ne pas endommager les tubes situés sur la paroi arrière de l'appareil.

**CONSERVEZ CES INSTRUCTIONS!**



# Instructions d'installation

## EMPLACEMENT

Enlevez les emballages extérieurs et intérieurs. Essuyez complètement l'extérieur avec un linge doux sec et l'intérieur avec un linge humide tiède. Il ne faut jamais situer l'appareil dans un recoin étroit, proche d'une source d'air chaud. L'air doit circuler à l'entour de l'appareil. Eloigner le réfrigérateur au moins 5 pouces du mur.

1. Choisir un place qui a un plancher fort et à niveau.
2. Éloigner l'appareil de 5 pouces des murs arrière et de côté.
3. Éviter les rayons de soleil et la chaleur directs qui peuvent affecter la surface en acrylique. Les sources de chaleur rapprochées augmentent la consommation d'énergie.
4. Éviter les endroits très humides. L'humidité élevée dans l'air occasionne la formation rapide de gèle sur l'évaporateur et le réfrigérateur. Le réfrigérateur devra être dégivré fréquemment.

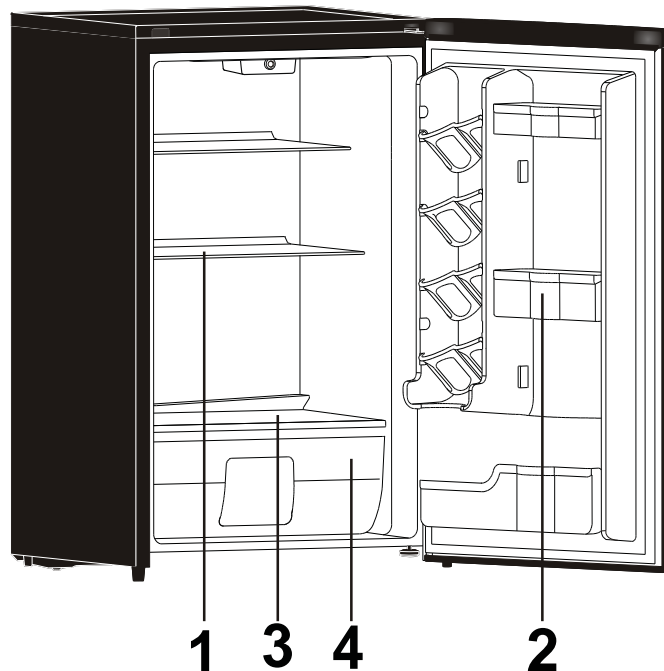
## INSTALLATION

Placez l'appareil de manière à ce qu'il repose de manière ferme sur une base solide. Certains appareils possèdent des pieds réglables à l'avant; utilisez-les pour mettre les appareils à niveau (sur certains modèles seulement).

**REMARQUE :** Cet appareil est pour L'INSTALLATION AUTONOME SEULEMENT, et n'est pas pour l'installation intégrée. Cet appareil est approuvé pour L'USAGE D'INTÉRIEUR SEULEMENT et n'est pas approuvé pour l'usage extérieur.

## CARACTÉRISTIQUES

1. **Faites glisser les étagères en verre :** (le nombre et le type de clayette varie selon les modèles). Si vous le désirez, vous pouvez placer une clayette sur les guides situés à l'intérieur de l'appareil. L'appareil est conçu de telle sorte que les clayettes ne peuvent pas être tirées hors des guides accidentellement. Si vous désirez retirer une clayette, soulevez légèrement sa partie avant puis tirez. Les aliments périssables doivent être rangés vers l'arrière sur les clayettes.
2. **Contre-porte :** La contre-porte comporte divers supports ou tablettes qui sont utilisés pour ranger les oeufs, le fromage, le beurre et le yogourt ainsi que d'autres emballages plus petits, les tubes, les canettes, etc. La tablette inférieure est utilisée pour ranger les grosses bouteilles.
3. **Orifice d'évacuation de l'eau de dégivrage :** L'intérieur du réfrigérateur est refroidi à l'aide d'une plaque de refroidissement montée sur la paroi arrière. Un conduit et l'orifice d'évacuation de l'eau de dégivrage sont logés sous cette plaque. Vérifiez régulièrement que l'orifice d'évacuation de l'eau de dégivrage et le conduit d'égouttement ne sont pas bloqués. Ils doivent constamment être propres et exempts de tout débris d'aliments. Si l'orifice d'égouttement s'obstrue, utilisez une paille en plastique pour la nettoyer.
4. **Bac à fruits et légumes :** Le bac se trouve au bas de l'intérieur de l'appareil sous la clayette en verre. Il pourvoit l'humidité nécessaire pour la préservation des fruits et légumes (moins de déshydrations).







## Consignes d'utilisation

### SÉLECTION DE LA TEMPÉRATURE

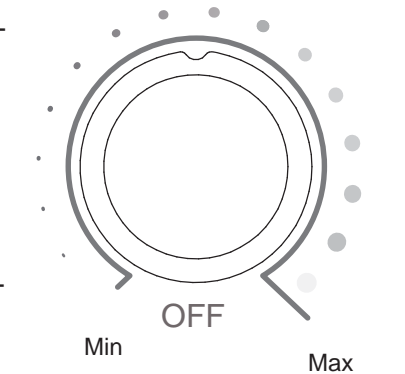
La température du réfrigérateur est contrôlée en réglant le bouton du thermostat (plafond du meuble) au niveau désiré.

Pour démarrer le réfrigérateur, tournez le bouton de réglage de la température à la position correspondant au niveau de refroidissement désiré.

La température du réfrigérateur variera en fonction de la quantité d'aliments entreposés et de la fréquence à laquelle la porte est ouverte.

Pour tourner le bouton en position « ARRÊT » (OFF), réglez le bouton de réglage sur la position « OFF ». Si le réfrigérateur n'est pas utilisé pendant de longues périodes, débranchez-le de la prise et laissez la porte entrouverte. Cela contribuera à réduire l'accumulation de moisissures à l'intérieur du réfrigérateur.

Les changements de température de la pièce influent sur la température interne du réfrigérateur (réglez le bouton du thermostat au niveau approprié). L'appareil ne fonctionne pas lorsqu'il est réglé sur la position « ARRÊT » (OFF) (le système de refroidissement est mis hors tension), mais l'alimentation n'est pas interrompue (la lumière s'allume lorsque vous ouvrez la porte du réfrigérateur). La température interne du réfrigérateur dépend également de la fréquence à laquelle la porte est ouverte.



### DÉGIVRER VOTRE APPAREIL

Nul besoin de dégivrer le réfrigérateur car les dépôts de glace se formant sur la paroi arrière intérieure sont dégivrés de manière automatique.

L'accumulation de glace sur la paroi arrière intérieure occasionnée par le fonctionnement du compresseur sera automatiquement éliminée par le dégivrage (lorsque le compresseur aura terminé son cycle). L'eau de dégivrage s'accumule dans la gouttière d'évaporateur, passant de l'orifice d'égouttement situé dans la paroi arrière intérieure au plateau de dégivrage situé au-dessus du compresseur, où elle s'évapore.

### RANGEMENTS DES ALIMENTS

#### Compartiments pour aliments frais

- Ne jamais recouvrir les clayettes du compartiment de papier d'aluminium ou autres matériaux car ceci peut empêcher la circulation d'air.
- Enlever toujours les emballages perméables du marchand qui recouvrent la viande, volaille et le poisson. Les viandes doivent être emballées individuellement, et déposées dans un récipient pour le rangement. Emballer la volaille ou le poisson dans du papier aluminium ou du papier ciré épais. Faites cuire la plupart de sorte de poissons le jour de l'achat. Les viandes emballées par le marchand, telles que le jambon, le bacon, le boeuf sec, ou les saucisses fumées se rangent très bien dans leur emballage.
- Laisser refroidir les aliments à la température de la pièce avant de les ranger dans le réfrigérateur.
- Toujours recouvrir les aliments, surtout les restants. Utiliser les restants avant 2 à 3 jours.



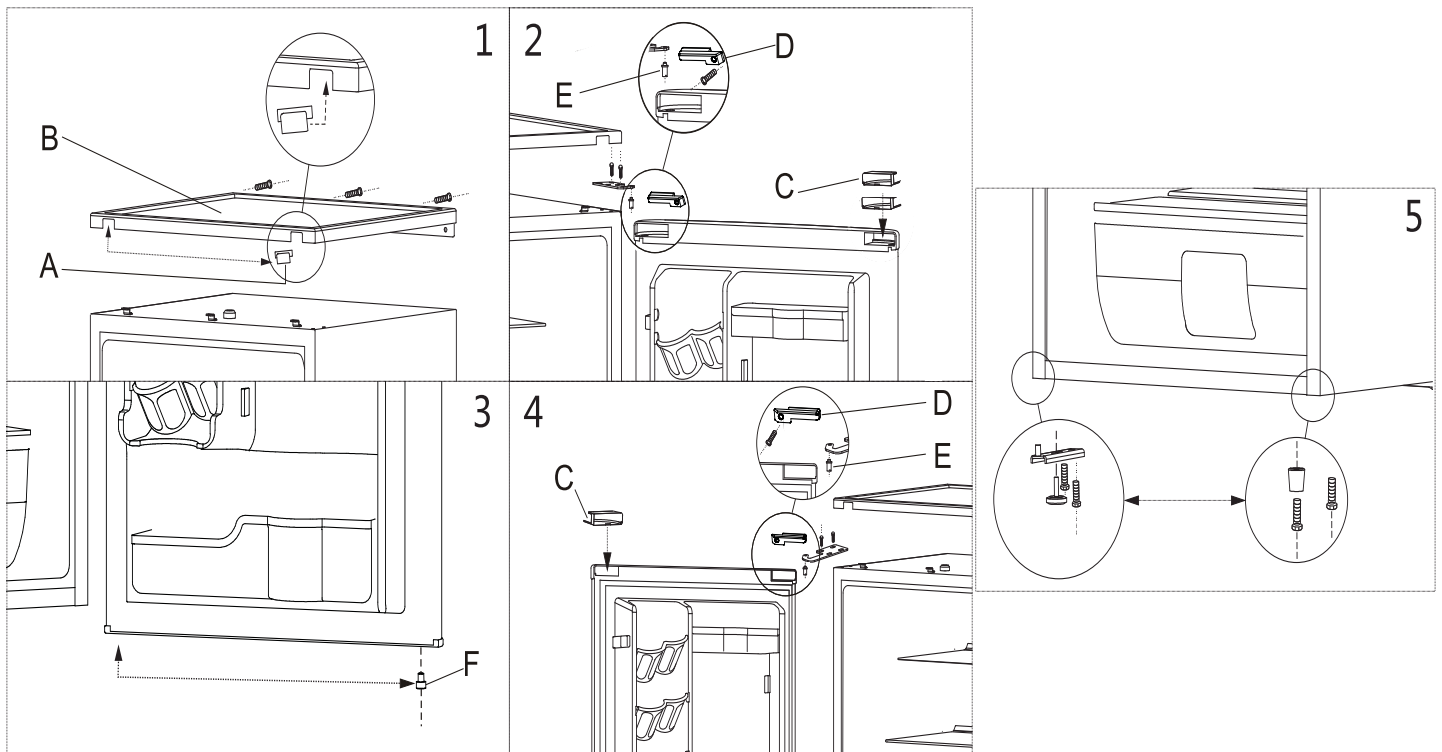
## Consignes d'utilisation

# INSTRUCTIONS DE PORTE RÉVERSIBLE

### ATTENTION

Afin d'éviter de vous blesser ou de causer des dégâts matériels, nous vous recommandons de solliciter l'aide d'autrui lors des manœuvres liées à l'inversion de la porte.

Si vous trouvez que la direction de l'ouverture de la porte de votre réfrigérateur est peu pratique, elle peut être changée. Suivez les étapes décrites dans les schémas.



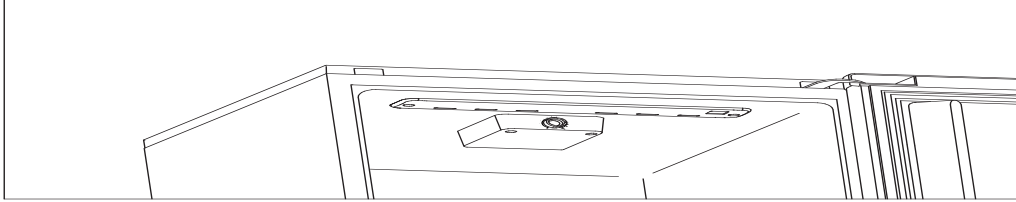
1. Enlevez les trois (3) vis du dos du plan de travail, levez légèrement le dos du plan de travail et tirez le plan de travail en avant. Cela enlèvera le plan de travail. Voir la figure 1.
2. Enlevez le couvercle de la porte en bande du côté gauche ou droit (selon le côté vers lequel vous changez l'ouverture de la porte) et le couvercle de la charnière gauche ou droit. Puis enlevez les deux (2) vis de charnière supérieures et enlevez la charnière supérieure. Enlevez l'axe de la charnière de la porte et déplacez-le vers l'autre côté de la porte. Voir la figure 2.
3. Desserrez la broche de l'assemblage de porte supérieure et enlevez l'assemblage de porte. Voir la figure 2.
4. Installez la broche de porte supérieure sur le côté opposé de la charnière supérieure, placez la charnière supérieure sur l'autre côté de l'armoire. Installez le couvercle de la porte en bande et le couvercle de la charnière sur le côté opposé du côté duquel vous les avez enlevés. Voir la figure 4.
5. Desserrez le pied réglable et enlevez les deux (2) vis autour du pied réglable. Enlevez les deux (2) vis de la charnière inférieure et enlevez la charnière inférieure. Réinstallez le pied et les deux (2) vis dans l'endroit d'où la charnière inférieure avait été enlevée. Installez la charnière inférieure dans l'endroit d'où le pied avait été enlevé. Voir la figure 5.
6. Ajustez les charnières inférieure et supérieure selon besoin et réinstallez le plan de travail en reversant les pas que vous avez suivi en l'enlever.



## Soins et entretien

### LUMIÈRE INTÉRIEURE

Lorsque la porte est ouverte, la lumière LED sera allumée. Lorsque la porte est fermée, la lumière LED sera éteinte. Dans le cas où votre lumière LED brûle, s'il vous plaît contacter un technicien de service certifié par Danby pour remplacer la bande de LED. S'il vous plaît noter, la fonctionnalité de l'appareil n'est pas affectée si la lumière a brûlé.



### NETTOYAGE DE L'APPAREIL

- Tournez le thermostat à « OFF » ou « 0 », débranchez l'appareil et retirez les accessoires intérieurs.
- Lavez l'intérieur au bicarbonate de soude dilué dans de l'eau chaude. La solution doit contenir 2 cuillères à soupe de bicarbonate de soude pour un litre d'eau.
- Lavez les accessoires intérieurs avec une solution de détergent non abrasif.
- L'extérieur de l'appareil doit être nettoyé à l'aide d'un détergent doux dilué dans de l'eau chaude.

**Mise en garde :** Ne pas débrancher le réfrigérateur-congélateur pourrait vous exposer à un risque de choc électrique ou de blessure corporelle.

### PANNE D'ÉLECTRICITÉ

La plupart des pannes de courant ne durent que quelques heures et ne devraient pas modifier la température de votre réfrigérateur et/ou congélateur si vous réduisez au minimum le nombre de fois où la porte est ouverte. Si le courant reste coupé pendant une longue période, il faut prendre des mesures pour protéger les aliments dans l'appareil.

### PÉRIODE DE VACANCES

**Des vacances de courte durée :** Laissez l'appareil fonctionner normalement pendant des vacances de moins de trois semaines.

**Des vacances de longue durée :** Si l'appareil ne sera pas utilisé pendant plusieurs mois, videz-le de tous ses aliments et débranchez la fiche d'alimentation. Nettoyez et asséchez minutieusement l'intérieur. Pour éviter les odeurs et le développement de moisissures, laissez la porte entrouverte : la coincer au besoin.

### DÉMENAGEMENT

Enlever ou immobiliser toutes les pièces amovibles (c'-à-d les clayettes) à l'intérieur du réfrigérateur. Serrer les vis à nivellement à la base afin de ne pas les endommager (sur certains modèles).

#### IMPORTANTES CONSIGNES DE SÉCURITÉ POUR L'UTILISATION DU CONGÉLATEUR

- Ne jamais ranger d'aliments chauds dans le congélateur.
- Ne jamais placer des aliments pourris dans le réfrigérateur.
- Ne jamais surcharger l'appareil.
- Ouvrir le couvercle seulement si nécessaire.
- Pour un rangement prolongé de l'appareil, il est suggéré de laver l'appareil, de laisser la porte ouverte afin de fournir une circulation d'air à l'intérieur du meuble et d'éviter le développement de condensation, de moisissures et d'odeurs.



## Dépannage

De temps en temps, un problème est mineur et un appel de service peut ne pas être nécessaire. Utilisez ce guide de dépannage pour trouver une solution possible. Si l'unité continue de fonctionner incorrectement, appelez un dépôt de service autorisé ou le **numéro sans frais de Danby** pour obtenir de l'assistance.

Tel: 1-800-26-Danby® (1-800-263-2629)

PROBLEME	CAUSE PROBABLE	SOLUTION
<b>Ne fonctionne pas</b>	<ul style="list-style-type: none"> <li>• Pas de tension à l'unité</li> <li>• Le cordon d'alimentation est débranché</li> <li>• Le mauvais voltage est utilisé</li> </ul>	<ul style="list-style-type: none"> <li>• Vérifiez la connexion du cordon d'alimentation</li> <li>• Branchez l'appareil</li> <li>• Utilisez le voltage approprié</li> </ul>
<b>Le réfrigérateur fonctionne sans arrêt</b>	<ul style="list-style-type: none"> <li>• La température est réglage trop haut</li> <li>• La porte n'est pas fermée</li> <li>• De la nourriture chaude a été insérée</li> <li>• La porte est ouverte trop souvent / longtemps</li> <li>• Proximité d'une source de chaleur ou source de soleil</li> </ul>	<ul style="list-style-type: none"> <li>• Régler la température plus élevée</li> <li>• Fermez la porte</li> <li>• Assurez-vous que la nourriture est frais avant de la placer dans l'appareil</li> <li>• Minimisez l'ouverture de la porte</li> <li>• Ne placez pas l'appareil près d'une exposition directe aux rayons de la chaleur et du soleil</li> </ul>
<b>La température interne n'est pas assez froide</b>	<ul style="list-style-type: none"> <li>• Pas de tension à l'unité</li> <li>• Le cordon d'alimentation est débranché</li> <li>• Le contrôle de la température est trop bas</li> <li>• La porte n'est pas fermée</li> <li>• La nourriture est chaude</li> <li>• La porte est ouverte trop souvent / longtemps</li> <li>• Obstruction de la circulation de l'air</li> <li>• Le mauvais voltage est utilisé</li> <li>• Proximité d'une source de chaleur ou exposition directe aux rayons du soleil</li> </ul>	<ul style="list-style-type: none"> <li>• Vérifiez la connexion du cordon d'alimentation</li> <li>• Branchez l'appareil</li> <li>• Vérifiez le réglage et augmentez-le au besoin</li> <li>• Fermez la porte</li> <li>• Assurez-vous que la nourriture est frais avant de la placer dans l'appareil</li> <li>• Minimisez l'ouverture de la porte</li> <li>• Laissez l'air circuler dans la pièce autour de l'appareil</li> <li>• Utilisez le voltage approprié</li> <li>• Ne placez pas l'appareil près d'une exposition directe aux rayons de la chaleur et du soleil</li> </ul>
<b>De la glace se forme sur la paroi arrière intérieure</b>	<ul style="list-style-type: none"> <li>• La porte ne ferme pas hermétiquement</li> <li>• La porte est ouverte fréquemment ou elle est laissée ouverte trop longtemps</li> <li>• Les aliments placés au réfrigérateur étaient chauds</li> <li>• Les aliments ou le plat touchent la paroi arrière intérieure</li> </ul>	<ul style="list-style-type: none"> <li>• Assurez-vous que la porte se ferme hermétiquement</li> <li>• Ouvrez la porte seulement si c'est nécessaire</li> <li>• Assurez-vous que la nourriture est refroidie à la température ambiante avant de la placer dans le réfrigérateur</li> <li>• Assurez-vous que rien ne touche le mur arrière</li> </ul>
<b>Des fuites d'eau du réfrigérateur se produisent</b>	<ul style="list-style-type: none"> <li>• L'orifice d'évacuation de l'eau est obstrué; l'eau de dégivrage dégoutte du conduit</li> </ul>	<ul style="list-style-type: none"> <li>• Nettoyez l'orifice d'évacuation de l'eau obstrué à l'aide, par exemple, d'une paille en plastique ou un cure-pipe-</li> </ul>
<b>L'appareil fait du bruit et/ou vibre</b>	<ul style="list-style-type: none"> <li>• L'appareil n'es pas de niveau ou l'appareil ne repose pas sur une base/un plancher solide</li> <li>• L'appareil est en contact avec un mur ou un bloc-cuisine adjacent</li> <li>• Les accessoires contenus dans l'appareil ne sont pas installés correctement. Il se peut que des bouteilles, de boîtes ou autres contenants se touchent, occasionnant ainsi un cliquetis ou des vibrations</li> </ul>	<ul style="list-style-type: none"> <li>• Assurez-vous toujours que l'appareil est de niveau et qu'il repose sur une base/un plancher solide</li> <li>• Il est impératif que l'appareil ne touche aucun mur ou bloc-cuisine</li> <li>• Assurez-vous que les accessoires contenus dans l'appareil sont installés correctement afin qu'ils ne se touchent pas et qu'ils n'occasionnent pas de cliquetis ou de vibrations</li> </ul>

## GARANTIE LIMITÉE SUR APPAREIL ÉLECTROMÉNAGER À DOMICILE

Cet appareil de qualité est garanti exempt de tout vice de matière première et de fabrication, s'il est utilisé dans les conditions normales recommandées par le fabricant.

Cette garantie n'est offerte qu'à l'acheteur initial de l'appareil vendu par Danby Products Limited (Canada) ou Danby Products Inc. (E.- U.A.) (ci-après « Danby ») ou par l'un des ses distributeurs agréés et elle ne peut être transférée.

### CONDITIONS

Les pièces en plastique sont garanties pendant trente (30) jours seulement à partir de la date de l'achat, sans aucune prolongation prévue.

*Premiers 12 mois* Pendant les premiers douze (12) mois, toutes les pièces fonctionnelles de ce produit qui s'avèrent défectueuses seront réparées ou remplacées, selon le choix du garant, sans frais à l'acheteur INITIAL.

*Pour bénéficier du service* Le client sera responsable pour le transport et tous les frais d'expédition de tout appareil exigeant le service au dépôt de service autorisé le plus proche. S'adresser au détaillant qui a vendu l'appareil, ou à la station technique agréée de service la plus proche, où les réparations doivent être effectuées par un technicien qualifié. Si les réparations sont effectuées par quiconque autre que la station de service agréée où à des fins commerciales, toutes les obligations de Danby en vertu de cette garantie seront annulées.

*Limites de l'entretien à domicile* Si l'appareil est installé à plus de 100 kilomètres (62 milles) du centre de service le plus proche, il doit être livré à l'atelier de réparation autorisé par Danby le plus proche, car l'entretien doit uniquement être réalisé par un technicien qualifié et certifié pour effectuer un entretien couvert par la garantie de Danby. Les frais de transport entre votre domicile et le lieu de l'entretien ne sont pas couverts par la présente garantie et doivent être acquittés par l'acheteur.

Aucune partie de la garantie ne prévoit implicitement que le fabricant sera tenu responsable des dommages subis par les aliments ou d'autres types de contenu, qu'ils soient causés par la défectuosité de l'appareil ou par son usage adéquat ou inadéquat.

### EXCLUSIONS

En vertu de la présente, il n'existe aucune autre garantie, condition ou représentation, qu'elle soit exprimée ou tacite, de façon manifeste ou intentionnelle, par Danby ou ses distributeurs agréés. De même, sont exclues toutes les autres garanties, conditions ou représentations, y compris les garanties, conditions ou représentations en vertu de toute loi régissant la vente de produits ou de toute autre législation ou règlement semblables. En vertu de la présente, Danby ne peut être tenue responsable en cas de blessures corporelles ou des dégâts matériels, y compris à l'appareil, quelle qu'en soit les causes. Danby ne peut pas être tenue responsable des dommages indirects dus au fonctionnement défectueux de l'appareil. En achetant l'appareil, l'acheteur accepte de mettre à couvert et de dégager Danby de toute responsabilité en cas de réclamation pour toute blessure corporelle ou tout dégât matériel causé par cet appareil.

### CONDITIONS GÉNÉRALES

La garantie ou assurance ci-dessus ne s'applique pas si les dégâts ou réparations sont dus aux cas suivants :

- 1) Panne de courant.
- 2) Dommages subis pendant le transport ou le déplacement de l'appareil.
- 3) Alimentation électrique incorrecte (tension faible, câblage défectueux, fusibles incorrects).
- 4) Accident, modification, emploi abusif ou incorrect de l'appareil tel qu'une circulation d'air inadéquate dans la pièce ou des conditions de fonctionnement anormales (température extrêmement élevée ou basse).
- 5) Utilisation dans un but commercial ou industriel (à savoir, si l'appareil n'est pas installé dans un domicile résidentiel).
- 6) Incendie, dommages causés par l'eau, vol, guerre, émeute, hostilités, cas de force majeure (ouragan, inondation, etc.).
- 7) Visites d'un technicien pour expliquer le fonctionnement de l'appareil au propriétaire.
- 8) Installation inappropriée (par exemple, encastrement d'un appareil autoportant, ou utilisation extérieure d'un appareil non conçu à cet effet). Une preuve d'achat doit être présentée pour toute demande de réparation sous garantie. Prière de garder le reçu. Pour faire honorer la garantie, présenter ce document à la station technique agréée ou s'adresser à :

**Service sous garantie**  
Service au domicile

Danby Products Limited  
PO Box 1778, Guelph, Ontario, Canada N1H 6Z9  
Téléphone : (519) 837-0920 Télécopieur: (519) 837-0449

**1-800-263-2629**  
03/14

Danby Products Inc.  
PO Box 669, Findlay, Ohio, U.S.A. 45840  
Téléphone: (419) 425-8627 Télécopieur: (419) 425-8629

# Gracias por elegir Danby

Sabemos que está emocionado. Nosotros lo estamos también! Sin embargo, cuanto más se familiarice con su nuevo aparato, mejor será su experiencia. Por lo tanto le sugerimos de manera especial que lea **este manual de instrucciones antes de conectar su nuevo aparato**. Este manual contiene importante información operacional que le ayudará a hacer un uso completo de las características técnicas disponibles en su aparato Danby. El manual también contiene información diseñada para mejorar la fiabilidad y seguridad operacional de su aparato, así como consejos para el mantenimiento del mismo, lo que le traerá felicidad en los años venideros.

Por favor, visite [www.danby.com](http://www.danby.com) para acceder a herramientas de autoservicio, preguntas frecuentes y más. En caso de necesitar asistencia adicional, por favor llame al 1-800-26-DANBY (1-800-263-2629). Por favor tenga disponible su recibo de compra y número de modelo cuando llame.

**Nota: Esta información será necesaria si su unidad requiere servicio o para hacer consultas generales. Para recibir servicio técnico debe sonstrar el recibo original.**

<b>Número de modelo:</b> _____
<b>Número de serie:</b> _____
<b>Fecha de la compra:</b> _____

## NECESITA AYUDA

Antes de solicitar servicio, hay algunas cosas que puede hacer para ayudarnos a servirle mejor:

**Lea este manual:**

Contiene instrucciones que lo ayudarán a mantener correctamente su unidad.

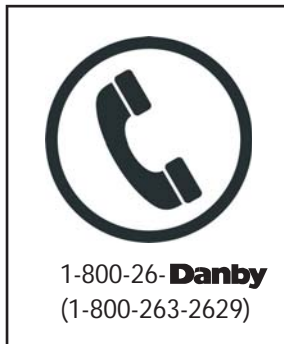
**Si usted recibe un artefacto dañado:**

Llame inmediatamente al distribuidor (o constructor) que se lo vendió.

**Ahorre tiempo y dinero:**

Lea la sección de Diagnóstico de problemas antes de llamar. Esta sección le ayudará a resolver problemas comunes que pudieran ocurrir.

Si necesita asistencia, no se preocupe y llámenos.





## Importantes Instrucciones de Seguridad

**LEA TODA LA INFORMACIÓN SOBRE SEGURIDAD ANTES DE UTILIZAR EL EQUIPO**

Asegúrese de que las piezas del componente se reemplacen con componentes similares y que la reparación sea realizada por personal de servicio autorizado por la fábrica, así minimizará el riesgo de incendio debido a piezas incorrectas o reparación inadecuada.

Este aparato debe ser conectado a tierra. En caso de un corto circuito, la conexión a tierra reduce el riesgo de una descarga eléctrica proporcionando un cable de retorno para la corriente eléctrica.

## REQUISITOS ELÉCTRICOS

### ADVERTENCIA

**CLASIFICACION ELÉCTRICA:** La placa de serie indica el voltaje y frecuencia que se debe utilizar para el refrigerador.

Debido a posibles variaciones en la línea de voltaje (ocasionadas por sobrecargas de circuitos), se recomienda instalar un circuito con fusible separado del panel medidor. Esto ayudará a eliminar las fluctuaciones de corriente que pueden causar problemas con el motor.



### ¡ADVERTENCIA IMPORTANTE!

Un refrigerador vacío es una atracción muy peligrosa para los niños. Remueva el empaque, pestillos o puerta de todo electrodoméstico que no esté en uso, o tome alguna otra medida para asegurar que éste no presente peligro.

¡PELIGRO! Riesgo de que los niños queden atrapados en la unidad.

Antes de desechar su antiguo refrigerador o congelador:

- Quite las puertas.
- Deje las parrillas en su lugar exacto a fin de que los niños no puedan subir fácilmente a la unidad.

**¡NO ESPERE, HAGALO AHORA MISMO!**



### ¡ADVERTENCIA! ¡PELIGRO DE EXPLOSIÓN!

Hay riesgo de incendio o explosión si el tubo del refrigerante es perforado. No use objetos cortantes para ayudar en el descongelamiento. Por favor sea cuidadoso. Mantenga lejos del congelador los vapores y materiales inflamables, como la gasolina. Use un limpiador no inflamable.

Siga las normas federales y locales para desechar la unidad.

## INSTRUCCIONES DE CONEXIÓN A TIERRA

Este aparato viene con un cable de alimentación que tiene un conductor y pata del enchufe de tierra. Este cable debe enchufarse en un tomacorriente debidamente instalado y con conexión a tierra.

**ADVERTENCIA** - El uso inadecuado del enchufe de conexión a tierra puede resultar en un riesgo de choque eléctrico. Consulte con un electricista o persona de reparaciones competente si no comprende bien las instrucciones de conexión a tierra o si existe alguna duda sobre si el aparato está conectado a tierra correctamente.

### NO USE CABLES DE EXTENSIÓN

Use una toma de corriente exclusiva de 115V. No conecte su congelador a cables de extensión o junto a otro aparato en la misma toma de corriente. No empalme el cable.

**¡GUARDE ESTAS INSTRUCCIONES!**



## Importantes Instrucciones de Seguridad

### LEA Y SIGA TODAS LAS INSTRUCCIONES DE SEGURIDAD ANTES DE UTILIZAR EL EQUIPO

- Este aparato no se destina para utilizarse por personas (incluyendo niños) cuyas capacidades físicas, sensoriales o mentales sean diferentes o estén reducidas, o carezcan de experiencia o conocimiento, a menos que dichas personas reciban una supervisión o capacitación para el funcionamiento del aparato por una persona responsable de su seguridad.
- Los niños deben ser supervisados para asegurar que no jueguen con el electrodoméstico.
- No utilice cables de extensión o adaptadores sin conexión a tierra (dos dientes).
- Si el cable de alimentación está dañado, éste debe ser sustituido por el fabricante, su agente de servicio o persona igualmente calificada para así evitar riesgos.
- **ADVERTENCIA** Mantener libres de obstrucciones las aberturas de ventilación, en la envoltura del aparato o en la estructura empotrable.
- **ADVERTENCIA** No utilizar dispositivos mecánicos u otros medios para acelerar el proceso de deshielo, distintos a aquellos a los recomendados por el fabricante.
- **ADVERTENCIA** No dañar el circuito de refrigeración.
- **ADVERTENCIA** No utilizar aparatos eléctricos dentro del compartimiento de almacenamiento de alimentos del aparato, a menos que sean del tipo recomendado por el fabricante.
- Esta unidad tiene 52.7 cm (20.75 pulgadas) de ancho por 84 cm (33.07 pulgadas) de alto por 54.1 cm (21.3 pulgadas) de profundidad; por favor asegúrese de dejar un espacio mínimo entre la unidad y todas las paredes circundantes y las aberturas de ventilación (ver la sección Ubicación). No cubra ninguna de las aberturas de ventilación con ningún material ya que la unidad necesita un espacio adecuado para respirar.

## CONSEJOS PARA AHORRAR ENERGÍA

- Trate de no abrir la puerta con mucha frecuencia, especialmente en días cálidos y húmedos. Una vez que haya abierto la puerta, ciérrela lo más rápido posible.
- Cada cierto tiempo, verifique que el aparato tenga la ventilación suficiente (una circulación de aire adecuada detrás del aparato).
- Ajuste el termostato de la graduación más alta a la más baja en cuanto sea posible (dependiendo de cuánta carga tenga el aparato, la temperatura ambiente, etc.).
- Antes de introducir alimentos calientes, asegúrese de que éstos se han enfriado a temperatura ambiente.
- El hielo y las capas de escarcha aumentan el consumo de energía; por consiguiente, limpie el aparato en cuanto la capa de escarcha tenga un espesor de entre 3 y 5 mm.
- Si el empaque/junta está dañado o la puerta no cierra herméticamente, el consumo de energía aumentará significativamente. Para reestablecer la eficiencia energética, cambie el empaque/ junta.
- Siempre tenga en cuenta las instrucciones en este manual.
- Esta unidad no está diseñada para instalación exterior, incluyendo la instalación en cualquier lugar que no es de temperatura controlada (incluyendo garajes, porticos, cocheras, etc.).

## CÓMO DESECHAR LOS APARATOS USADOS

El sistema de refrigeración del aparato contiene líquido refrigerante y sustancias aislantes que deben tratarse y procesarse por separado. Llame al representante de servicio técnico autorizado o al centro de servicio especializado más cercano. Si no puede encontrar uno, comuníquese con las autoridades locales o con el distribuidor. Tenga cuidado de no dañar los tubos ubicados en la pared trasera del aparato.

**¡GUARDE ESTAS INSTRUCCIONES!**





# Instrucciones de Instalación

## UBICACIÓN

Remueva los empaques exteriores e interiores, limpie la parte de afuera con un paño suave seco y el interior con un paño húmedo y tibio. Evite colocar la unidad en un hueco estrecho o cerca de una fuente de calor, luz de sol directa, o lugar húmedo. Deje que el aire circule libremente alrededor de la unidad. Mantenga la parte trasera del refrigerador a 12.70 cm (5 pulgadas) de la pared.

1. Seleccione un lugar con un piso firme y nivelado.
2. Deje un espacio de 12.70 cm (5 pulgadas) entre el refrigerador y cualquier pared adyacente.
3. Evite luz directa del sol o calor. La luz directa del sol puede afectar la unidad. Las fuentes de calor en su proximidad causarán un consumo mayor de electricidad.
4. Evite lugares muy húmedos. Demasiada humedad en el aire hará que se acumule escarcha rápidamente en el evaporador y deberá descongelar su refrigerador con mucha frecuencia.

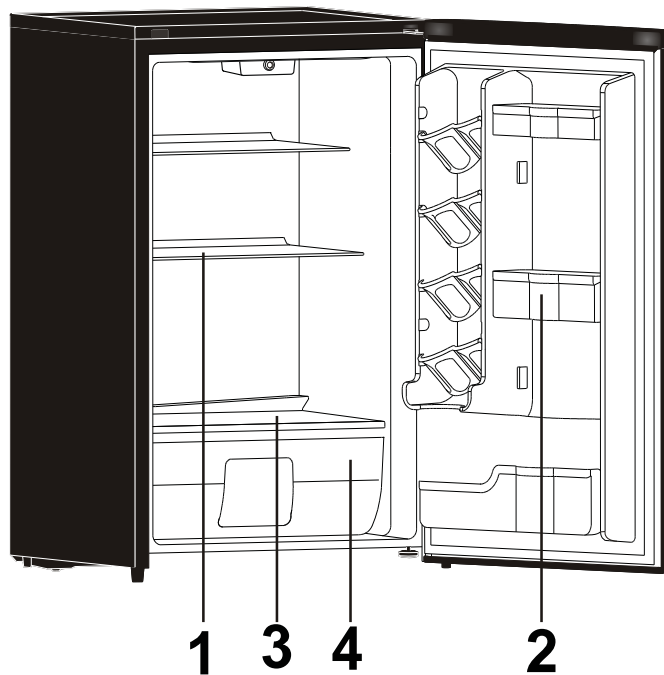
## INSTALACIÓN

Coloque el aparato firmemente sobre una base sólida. Algunos aparatos tienen patas ajustables en la parte frontal; úselas para nivelarlos (sólo algunos modelos).

**NOTAS :** Este aparato esta destinado solo para **INSTALACIÓN INDEPENDIENTE** y no para instalación integrada. Este refrigerador está aprobado sólomente para **USO INTERIOR** y no para uso al aire libre.

## CARACTERÍSTICAS

1. **Deslice hacia fuera los estantes de vidrio:** (El número y el tipo de estantes depende del modelo) El estante se puede colocar, de forma opcional, en las guías que se encuentran dentro del aparato. Está protegido para que no se tire de él por accidente. Si desea retirar un estante, levántelo un poco por la parte frontal y tire hacia afuera. Los alimentos perecederos deben almacenarse en la parte trasera de los estantes.
2. **Panel interior de la puerta:** El panel interior de la puerta consta de distintos estantes o contenedores que se utilizan para almacenar huevos, queso, mantequilla y yogur, así como otros paquetes más pequeños, tubos, latas, etc. El estante inferior se usa para almacenar botellas grandes.
3. **Salida de agua de descongelación:** El interior del refrigerador se enfría mediante una placa de enfriamiento montada en la pared trasera. Debajo de la placa, hay un canal y la salida para el agua de descongelación. Inspeccione regularmente la salida de agua de descongelación y el canal de drenaje, para detectar obstrucciones. Siempre deben estar limpios y libres de partículas de alimentos. Si la salida de drenaje está obstruida, límpiela con una pajilla de plástico.
4. **Cajón para frutas y verduras:** Cajón para frutas y verduras está en la parte inferior del artefacto eléctrico, debajo del anaquel de vidrio. Este cajón brinda la humedad adecuada que es más favorable para las frutas y verduras (menos deshidratación).





## Instrucciones Operativas

### SELECCIÓN DE TEMPERATURA

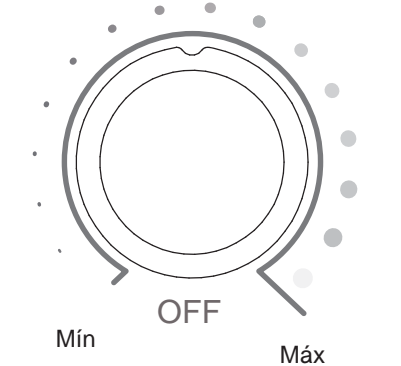
La temperatura del refrigerador se controla mediante el ajuste de la perilla del termostato (en el techo del gabinete) a un valor deseado.

Para encender el refrigerador, gire la perilla de control de temperatura hasta la posición correspondiente al nivel de refrigeración deseado.

La temperatura del refrigerador variará según la cantidad de alimento almacenado y la frecuencia con que se abra la puerta.

Para llevar el control a la posición de "APAGADO", gire la perilla de control a la posición "OFF". Si el refrigerador no se usa durante largos períodos, desenchúfelo y deje la puerta parcialmente abierta. Esto ayudará a prevenir la acumulación de moho/hongos dentro del gabinete del refrigerador.

Los cambios en la temperatura ambiente afectarán la temperatura interna del refrigerador (seleccione el valor correcto de la perilla del termostato). En la posición de apagado « OFF », la unidad no funciona (el sistema de enfriamiento está apagado); sin embargo, no se interrumpe el suministro de energía (la luz se enciende cuando se abre la puerta del refrigerador). La temperatura del refrigerador también depende de la frecuencia con que se abre la puerta.



### CÓMO DESCONGELAR EL ELECTRODOMÉSTICO

No es necesario descongelar el refrigerador, porque el hielo que se deposita en la pared interior trasera se descongela automáticamente.

La acumulación de hielo en la pared interior trasera durante el funcionamiento del compresor se descongelará automáticamente (cuando el compresor haya finalizado su ciclo). El agua producto de la descongelación se acumula dentro del drenaje a través de la salida de drenaje situada en la pared interior trasera y pasa a un recipiente de drenaje ubicado por encima del compresor, desde donde se evapora.

### SUGERENCIAS PARA GUARDAR ALIMENTOS

#### Compartimiento para Alimentos Frescos

- Nunca cubra las parrillas del compartimiento para alimentos con papel aluminio o cualquier otro material para cubrir parrillas que puedan obstruir la circulación del aire.
- Siempre remueva el empaque poroso de la tienda que viene en la carne, pollo o pescado. La carne se debe envolver en forma individual. Envuelva el pescado y el pollo en papel aluminio o papel encerado grueso. La mayoría de los pescados se deben consumir el mismo día en que se compran. Las carnes empacadas como el jamon, tocino, carne seca o salchichas, se almacenan mejor en sus paquetes originales.
- Permita que los alimentos calientes se enfrien a temperatura ambiente antes de colocarlos en el refrigerador.
- Siempre cubra los alimentos que guarda, especialmente los restos. Use los restos de comida dentro de los 2 o 3 días siguientes.



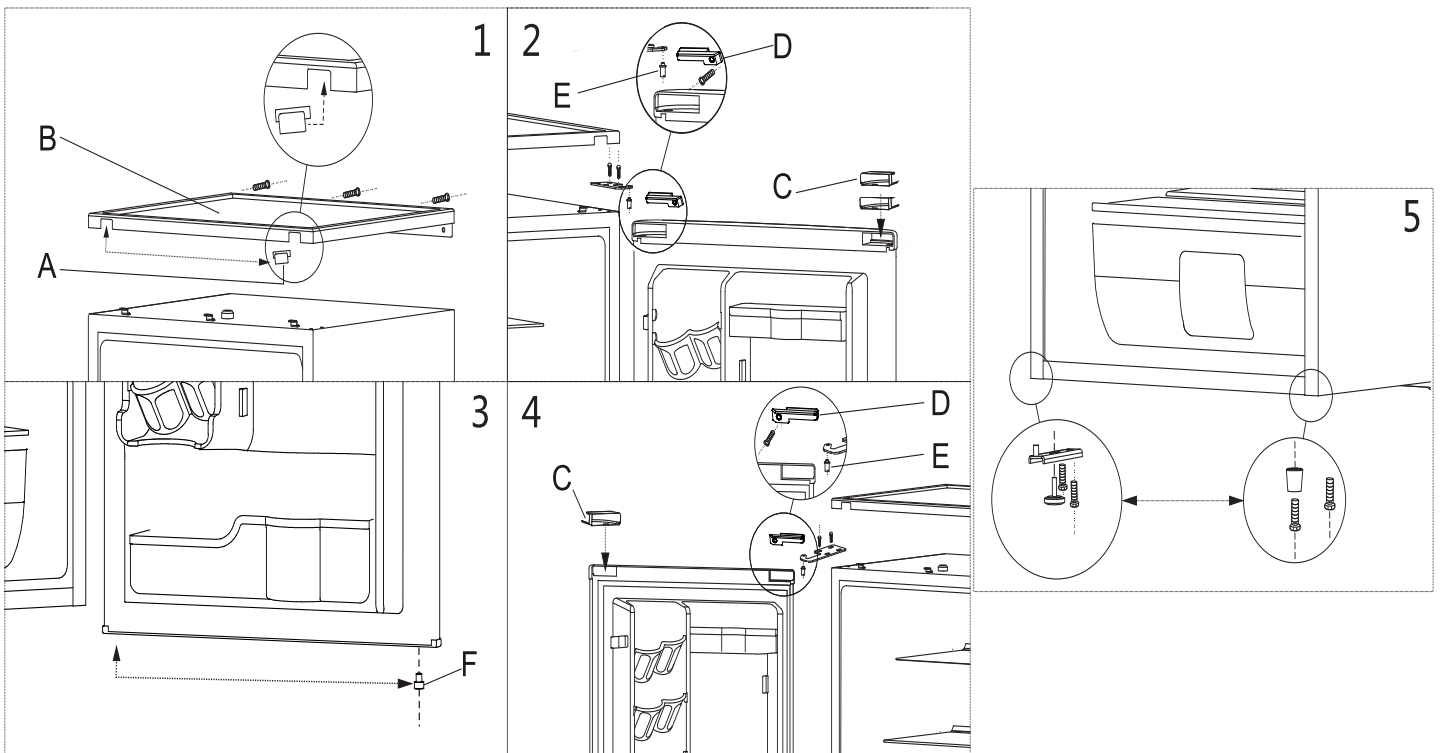
## Instrucciones Operativas

### INSTRUCCIONES PARA INVERTIR LA PUERTA

#### ADVERTENCIA

Para evitarse lesiones personales y daños a la propiedad, recomendamos que otra persona lo ayude durante el proceso de cambiar el sentido en que abre la puerta.

Si usted encuentra incómoda la dirección en que abre la puerta en su aparato, usted puede cambiarla siguiendo los pasos que se muestran en los siguientes diagramas.



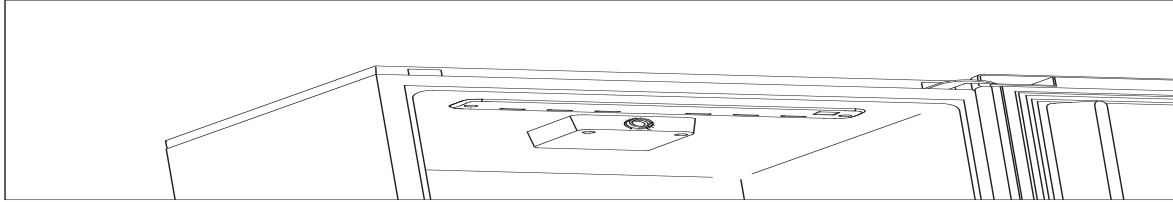
1. Retire los tres (3) tornillos de la parte posterior de la encimera, levante un poco la parte posterior de la encimera y empújela hacia adelante; de esta forma, sacará la encimera. Consulte la Figura 1.
2. Retire la cubierta de la tira de la puerta izquierda o derecha (según a qué lado moverá la puerta) y la cubierta de la bisagra izquierda o derecha. Luego, retire los dos (2) tornillos de la bisagra superior y retire la bisagra superior. Retire el perno de la bisagra de la puerta y páselo al otro lado de la puerta. Consulte la Figura 2.
3. Afloje el perno superior de la puerta y retire el ensamblaje de la puerta. Consulte la Figura 2.
4. Instale el perno superior de la puerta hacia el lado opuesto de la bisagra superior, coloque la bisagra superior en el otro lado del gabinete, instale la cubierta de la tira de la puerta y la cubierta de la bisagra en el lado opuesto de donde las retiró. Consulte la Figura 4.
5. Afloje la pata ajustable y retire los dos (2) tornillos que la rodean. Retire los dos (2) tornillos de la bisagra inferior y retire la bisagra inferior. Vuelva a colocar la pata y los dos (2) tornillos donde estaba la bisagra inferior. Instale la bisagra inferior donde estaba la pata. Consulte la Figura 5.
6. Haga los ajustes necesarios en la bisagra superior y la bisagra inferior, vuelva a instalar la encimera siguiendo los pasos para sacarla a la inversa.



## Cuidado y Mantenimiento

### LUZ INTERIOR

Cuando se abre la puerta, la luz LED se enciende. Cuando la puerta se cierra, la luz LED se apagará. En caso de que la tirilla LED se funda, por favor póngase en contacto con un técnico de servicio certificado por Danby para sustituir la tirilla de LED. Tenga en cuenta que la funcionalidad de la unidad no se verá afectada si la tirilla se funde.



### LIMPIEZA DEL ARTEFACTO

- Gire el control de temperatura a la posición « 0 » o « OFF », desenchufe la unidad y saque la comida y los accesorios del interior.
- Limpie el interior con una solución de agua tibia y bicarbonato de sodio. La solución debe contener cerca de 2 cucharadas de bicarbonato de sodio y un cuarto de agua.
- Limpie los cajones y accesorios del interior con un detergente suave.
- El exterior de la unidad debe limpiarse con un detergente suave y agua tibia.

**Advertencia:** El no desenchufar el refrigerador podría ocasionar descarga eléctrica o daños corporales.

### CORTE DE CORRIENTE

La mayoría de las fallas eléctricas se solucionan en pocas horas y no deberían afectar la temperatura de su refrigerador y/o congelador si reduce la cantidad de veces que abre su puerta. Si la interrupción de corriente se prolonga por un período más largo, deberá tomar las medidas pertinentes para conservar sus alimentos.

### VACACIONES

**Vacaciones cortas:** Deje la unidad funcionando durante vacaciones de menos de tres semanas.

**Vacaciones largas:** Si el electrodoméstico no será usado durante varios meses, saque todos los alimentos y desenchufe el cable de alimentación. Limpie y seque bien el interior del aparato. Para evitar el mal olor y la proliferación de moho, deje la puerta ligeramente abierta. Si es necesario, bloquéela para mantenerla abierta.

### SI USTED SE MUDA

Saque o asegure todas los artículos sueltos dentro del refrigerador. Para evitar que los tornillos de nivel se averíen, gírelos completamente hacia la base (en algunos modelos).

#### ALGUNAS REGLAS IMPORTANTES PARA EL USO CORRECTO DEL REFRIGERADOR

- Nunca coloque alimentos calientes en el refrigerador.
- Nunca coloque en el refrigerador alimentos que se hayan echado a perder.
- No sobrecargue el refrigerador.
- No abra la puerta a menos que sea necesario.
- Si el refrigerador va a ser almacenado y no usado por largos periodos de tiempo, se sugiere que luego de una limpieza cuidadosa, se deje la puerta entreabierta para permitir que el aire circule dentro de la unidad y así evitar una posible formación de condensación, moho u olores.



## Solución Sugerida

A menudo, los problemas son sencillos y no es necesario hacer una llamada de reparación, use esta guía de resolución de problemas para encontrar una posible solución. Si la unidad sigue funcionando mal, llame a los números gratuitos de un centro Danby de servicio autorizado.

Tel: 1-800-26-Danby® (1-800-263-2629)

PROBLEMA	POSSIBLE CAUSA	SOLUCIÓN SUGERIDA
<b>No funciona</b>	<ul style="list-style-type: none"> <li>No llega alimentación a la unidad</li> <li>Cable de alimentación desenchufado</li> <li>Voltaje incorrecto</li> </ul>	<ul style="list-style-type: none"> <li>Revise la conexión del cable de alimentación al enchufe</li> <li>Enchufe la unidad</li> <li>Use el voltaje correcto</li> </ul>
<b>El refrigerador funciona constantemente</b>	<ul style="list-style-type: none"> <li>Temperatura fijada demasiado alta</li> <li>La puerta no está cerrada</li> <li>Se colocó comida caliente</li> <li>Se abrió la puerta demasiadas veces o durante mucho tiempo</li> <li>Muy cerca de una fuente de calor o bajo la luz directa del sol</li> </ul>	<ul style="list-style-type: none"> <li>Ajustar la temperatura más alta</li> <li>Cierre bien la puerta</li> <li>Verifique que los alimentos estén a temperatura ambiente antes de guardarlos</li> <li>Abra menos veces la puerta</li> <li>No coloque la unidad cerca de fuentes de calor o bajo la luz directa del sol</li> </ul>
<b>La temperatura interna no es muy fría</b>	<ul style="list-style-type: none"> <li>No llega alimentación a la unidad</li> <li>Cable de alimentación desenchufado</li> <li>Control de temperatura muy bajo</li> <li>La puerta no está cerrada</li> <li>Alimentos calientes</li> <li>Se abrió la puerta demasiadas veces o durante mucho tiempo</li> <li>Obstrucción del flujo de aire</li> <li>Voltaje incorrecto</li> <li>Muy cerca de una fuente de calor o bajo la luz directa del sol</li> </ul>	<ul style="list-style-type: none"> <li>Revise la conexión del cable de alimentación al enchufe</li> <li>Enchufe la unidad</li> <li>Verifique el ajuste y aumentelo como sea necesario</li> <li>Cierre bien la puerta</li> <li>Verifique que los alimentos estén a temperatura ambiente</li> <li>Abra menos veces la puerta</li> <li>Deje lugar para que circule aire alrededor de la unidad</li> <li>Use el voltaje correcto</li> <li>No coloque la unidad cerca de fuentes de calor o bajo la luz directa del sol</li> </ul>
<b>Formación de hielo en la pared interior trasera</b>	<ul style="list-style-type: none"> <li>La puerta no cierra herméticamente</li> <li>La puerta se abre con frecuencia o se deja abierta demasiado tiempo</li> <li>Los alimentos dentro del refrigerador no estaban fríos</li> <li>Los alimentos o platos tocan la pared interior trasera</li> </ul>	<ul style="list-style-type: none"> <li>Asegúrese de que la puerta esté bien sellada</li> <li>Solo abra la puerta cuando sea necesario</li> <li>Temple los alimentos a temperatura ambiente antes de meterlos en el refrigerador</li> <li>Asegúrese de que no haya nada que esté en contacto con la pared posterior</li> </ul>
<b>El refrigerador pierde agua</b>	<ul style="list-style-type: none"> <li>La salida de agua está obstruida, el agua de descongelación gotea por el canal</li> </ul>	<ul style="list-style-type: none"> <li>Limpie la salida obstruida, por ejemplo, con una pajilla de plástico o un cepillo de estapacañerías.</li> </ul>
<b>La unidad hace ruido y/o vibra</b>	<ul style="list-style-type: none"> <li>El aparato no está nivelado o el aparato no está instalado sobre una superficie sólida y firme</li> <li>El aparato toca una pared o un estante de cocina adyacentes</li> <li>Los accesorios que se encuentran dentro del aparato están colocados de forma incorrecta. Las botellas, latas y otros recipientes pueden tocarse entre sí, lo que puede producir ruidos o vibraciones</li> </ul>	<ul style="list-style-type: none"> <li>Siempre asegúrese de que el aparato esté nivelado e instalado sobre una superficie sólida y firme</li> <li>El aparato no debe tocar ninguna pared ni estante de cocina</li> <li>Asegúrese de que los accesorios que se encuentran dentro del aparato estén correctamente colocados, para que no se toquen entre sí y no produzcan ruidos o vibraciones</li> </ul>

# GARANTÍA LIMITADA PARA ELECTRODOMÉSTICO

Este producto de calidad está garantizado contra defectos de fabricación, incluyendo partes y mano de obra, siempre y cuando la unidad se utilice bajo las condiciones normales de funcionamiento para las que fue diseñado.

Esta garantía está solamente disponible para la persona que haya comprado originalmente esta unidad directamente de Danby Products Limited (Canada) o Danby Products Inc. (U.S.A.) (en adelante "Danby") o uno de sus distribuidores autorizados, y no es transferible.

## CONDICIONES DE LA GARANTÍA

Las piezas plásticas, se autorizan por treinta (30) días solamente a partir de la fecha de la compra, sin las extensiones proporcionadas.

*Primeros 12 meses* Durante los primeros 12 meses, cualquier parte en buen estado de este producto que resulte defectuosa, incluyendo cualquier sistema sellado, será reparado o reemplazado, a opción del fabricante, sin cargo para el comprador ORIGINAL.

*Para obtener servicio* Danby se reserva el derecho de limitar la cobertura de "Servicio en Domicilio" sujeto a la proximidad de un Taller de Servicio Autorizado. Para todo artefacto que requiera servicio fuera del área limitada de "Servicio en Domicilio", el cliente será responsable por transportar dicho artefacto hasta el Taller de Servicio Autorizado más cercano. Consulte "Límites del servicio técnico a domicilio", a continuación. Comuníquese con el distribuidor donde haya comprado la unidad, o llame al Taller de Servicio Autorizado más cercano, donde debe ser reparada por un técnico calificado. Si esta unidad es reparada en otro lugar que no sea un Taller de Servicio Autorizado, o si la unidad se utiliza para aplicaciones comerciales, Danby no se hará responsable de ninguna forma y la garantía será anulada.

*Límites del servicio técnico a domicilio* Si el electrodoméstico está instalado en un lugar que se encuentra a 100 kilómetros (62 millas) o más del centro de servicios más cercano, se debe llevar la unidad al Centro de servicios Danby autorizado más cercano, ya que dicho servicio sólo puede realizarlo un técnico calificado y certificado por Danby para prestar servicios de garantía. Los cargos por transporte desde y hacia el lugar en que se efectúe el servicio técnico no están cubiertos por esta garantía y son de responsabilidad del comprador.

Nada dentro de esta garantía implica que Danby será responsable por cualquier daño que hayan sufrido los alimentos u otros contenidos de este aparato, ya sea debido a un defecto del aparato, o su uso, adecuado o inadecuado.

## EXCLUSIONES

Salvo lo aquí indicado por Danby, no existen otras garantías, condiciones o representaciones, explícitas o implícitas, concretas o intencionales por parte de Danby o sus distribuidores autorizados y todas las demás garantías, condiciones o representaciones, incluyendo cualquier garantía, condiciones o representaciones bajo cualquier Acta de Venta de Productos o legislación o estatuto similar, quedan de esta forma expresamente excluidas. Salvo lo aquí indicado, Danby no serán responsables por ningún daño a personas o bienes, incluyendo la propia unidad, sin importar su causa, o de ningún daño indirecto causado por el desperfecto de la unidad, y al comprar esta unidad, el comprador acepta por la presente, indemnizar y proteger a Danby contra cualquier reclamo por daños a personas o bienes causados por la unidad.

## CONDICIONES GENERALES

No se considerará ninguna de estas garantías o seguros cuando el daño o la necesidad de reparación sea el producto de los siguientes casos:

- 1) Falla del suministro eléctrico.
- 2) Daños en tránsito o durante el transporte de la unidad.
- 3) Alimentación incorrecta, como bajo voltaje, instalación eléctrica defectuosa o fusibles inadecuados.
- 4) Accidente, modificación, abuso o uso incorrecto del artefacto, tal como insuficiente ventilación del ambiente o condiciones de operación anormales (temperatura ambiente extremadamente alta o baja).
- 5) Utilización comercial o industrial (v.g., si el electrodoméstico no está instalado en una vivienda particular).
- 6) Incendio, daños por agua, robo, guerra, disturbios, hostilidades, actos de fuerza mayor como huracanes, inundaciones, etc.
- 7) Pedidos de servicio debido a desinformación del usuario.
- 8) Instalación inadecuada (v.g., instalación empotrada de un electrodoméstico diseñado como unidad independiente o uso de un electrodoméstico al aire libre que no esté aprobado para dicho fin).

Para acceder a la garantía se solicitará un comprobante de compra; por lo tanto, guarde su recibo. En caso de necesitar servicio de garantía, presente ese documento al TALLER DE SERVICIO AUTORIZADO.

**Servicio de Garantía**  
Servicio en Domicilio

Danby Products Limited  
PO Box 1778, Guelph, Ontario, Canada N1H 6Z9  
Telephone: (519) 837-0920 FAX: (519) 837-0449

**1-800-263-2629**  
07/13

Danby Products Inc.  
PO Box 669, Findlay, Ohio, U.S.A. 45840  
Telephone: (419) 425-8627 FAX: (419) 425-8629



Model • Modèle • Modelo  
DAR044A6MDB / DAR044A6PDB  
DAR044A6DDB / DAR044A6LDB

## ALL REFRIGERATOR

All repair parts are available for purchase or special order when you visit your nearest service depot. To request service and/or the location of the service depot nearest you, call the TOLL FREE number.

When requesting service or ordering parts, always provide the following information:

- Product Type
- Model Number
- Part Number
- Part Description

## TOUT RÉFRIGÉRATEUR

Toutes les pièces de rechange ou commandes spéciales sont disponibles à votre centre de service régional autorisé. Pour obtenir le service et/ou la localité de votre centre de service régional, signalez le NUMÉRO D'APPEL SANS FRAIS.

Ayez les renseignements suivants à la portée de la main lors de la commande de pièce ou service :

- Type de produit
- Numéro de modèle
- Numéro de pièce
- Description de la pièce

## TODA REFRIGERADORA

Todas las piezas de reparación disponibles para la compra o la orden especial cuando usted visita su depósito más cercano del servicio. Para pedir servicio y/o la localización del depósito del servicio lo más cerca posible usted, llama Danby GRATIS.

Al pedir servicio o pidiendo piezas, proporcione siempre la información siguiente:

- Tipo de producto
- Número de modelo
- Número de pieza
- Descripción de la parte

