

MODEL • MODÈLE • MODELO

DAR170A2WDD

DAR170A2BSLDD

OWNER'S USE AND CARE GUIDE
GUIDE D'UTILISATION ET SOINS DE PROPRIÉTAIRE
GUÍA DE UTILIZACIÓN Y CUIDADO PARA EL PROPIETARIO

- Read and follow all safety rules and operating instructions before first use of this product.
- Veuillez lire attentivement les consignes de sécurité et les instructions d'utilisation avant l'utilisation initiale de ce produit.
- Lea y observe todas las reglas de seguridad y las instrucciones de operación antes de usar este producto por la primera vez.

TO OBTAIN WARRANTY SERVICE YOU MUST PROVIDE A VALID PROOF OF PURCHASE. PLEASE STAPLE YOUR RECEIPT TO THIS PAGE FOR FUTURE REFERENCE.

POUR OBTENIR LE SERVICE SUR GARANTIE VOUS DEVEZ FOURNIR UNE PREUVE D'ACHAT VALIDE. VEUILLEZ AGRAFER VOTRE REÇU À CETTE PAGE POUR RÉFÉRENCE FUTURE.

PARA OBTENER SERVICIO DE GARANTÍA, DEBE PROVEER UN RECIBO ORIGINAL. POR FAVOR ENGRAPE SU RECIBO A ÉSTA PÁGINA EN CASO QUE NECESITE HACER UN RECLAMO.

GROUNDING INSTRUCTIONS

This appliance is equipped with a cord having a grounding wire with a grounding plug. The plug must be plugged into an outlet that is properly installed and grounded.

WARNING - Improper use of the grounding plug can result in a risk of electric shock. Consult a qualified electrician or service agent if the grounding instructions are not completely understood, or if doubt exists as to whether the appliance is properly grounded.

DO NOT USE AN EXTENSION CORD

Use an exclusive 115V wall outlet. Do not connect your refrigerator to extension cords or together with another appliance in the same wall outlet. Do not splice the cord.

MISE À LA TERRE

L'appareil est muni d'un cordon électrique comprenant un fil de mise à la terre et une fiche de terre. Branchez la fiche dans une prise de courant correctement installée et mise à la terre.

AVERTISSEMENT - Une fiche de mise à la terre mal branchée peut entraîner un risque d'incendie, de choc électrique ou de blessures aux personnes qui utilisent l'appareil. Si vous n'êtes pas certain que l'appareil est correctement mis à la terre, consultez un préposé du service qualifié.

N'UTILISER JAMAIS DE FIL DE RALLONGE

Brancher le réfrigérateur à son propre circuit de 115V. N'utilisez pas de rallonge électrique pour brancher votre réfrigérateur. Ne branchez pas le réfrigérateur à une prise femelle multiple qui sera également utilisée pour d'autres appareils électriques. N'épissez pas le cordon électrique.

INSTRUCCIONES DE CONEXIÓN A TIERRA

Este aparato viene con un cable de alimentación que tiene un conductor y pata del enchufe de tierra. Este cable debe enchufarse en un tomacorriente debidamente instalado y con conexión a tierra.

ADVERTENCIA - El uso inadecuado del enchufe de conexión a tierra puede resultar en un riesgo de choque eléctrico. Consulte con un electricista o persona de reparaciones competente si no comprende bien las instrucciones de conexión a tierra o si existe alguna duda sobre si el aparato está conectado a tierra correctamente.

NO USE CABLES DE EXTENSIÓN

Use una toma de corriente exclusiva de 115V. No conecte su congelador a cables de extensión o junto a otro aparato en la misma toma de corriente. No empalme el cable.



Important Safety Information

READ AND FOLLOW ALL SAFETY INSTRUCTIONS

Please ensure that component parts shall be replaced with like components and that servicing shall be done by factory authorized service personnel, so as to minimize the risk of possible ignition due to incorrect parts or improper service.

This appliance must be grounded. In the event of an electrical short circuit, grounding reduces the risk of electrical shock by providing an escape wire for the electrical current.

ELECTRICAL REQUIREMENTS

WARNING

ELECTRICAL RATING: The serial rating plate indicates the voltage and frequency the unit is designed for.

Due to possible variations in line voltage (caused by overloading of circuits), it is advisable to install a dedicated circuit from the meter panel. This will help to eliminate current fluctuation which might cause motor trouble.



IMPORTANT WARNING

An empty refrigerator or freezer is a very dangerous attraction to children. Remove either the gasket or door from unused appliances, or take some other action that will guarantee it harmless.

DANGER: Risk of child entrapment. Before you throw away your old refrigerator or freezer:

- Take off doors.
- Leave the shelves in place so that children may not easily climb in.

DON'T WAIT! DO IT NOW!

- This appliance is not intended for use by persons (including children) whose physical, sensory or mental capabilities may be different or reduced, or who lack experience or knowledge, unless such persons receive supervision or training to operate the appliance by a person responsible for their safety.
- Children should be supervised to ensure that they do not play with the appliance.
- Do not use extension cords or ungrounded (two prongs) adapters.
- If the supply cord is damaged, it must be replaced by the manufacturer, its service agent or similar qualified person in order to avoid hazard.
- **WARNING** Keep ventilation openings, in the appliance enclosure or in the built-in structure, clear of obstruction.
- **WARNING** Do not use mechanical devices or other means to accelerate the defrosting process, other than those recommended by the manufacturer.
- **WARNING** Do not damage the refrigerant circuit.
- **WARNING** Do not use electrical appliances inside the food storage compartments of the appliance, unless they are of the type recommended by the manufacturer.
- This unit is not designed for outside installation, including installation anywhere that is not temperature controlled (including garages, porches, carports, etc.).
- Before connecting the appliance to an electrical power supply, let it stand 6 hours. This will reduce the possibility of malfunctions in the cooling system due to transport handling.
- The refrigerator system of the appliance is filled with refrigerant and insulating substances which should be separately treated and processed. Call your nearest authorized service agent or specialized servicing centre. If you are unable to locate one, contact your local authorities or your distributor. Be careful not to damage any tubes that may be on the rear wall of the appliance.

SAVE THESE INSTRUCTIONS!



Installation Instructions

LOCATION

1. Select a place with a strong, level floor.
2. Allow 5 inches (12.7 cm) of space between the back of the refrigerator and any adjacent wall.
3. Avoid direct sunlight and heat. Direct sunlight could damage the unit. Heat sources nearby will cause higher electricity consumption.
4. Avoid moist places. Too much moisture in the air will cause frost to form very quickly on the evaporator, and your refrigerator will have to be defrosted more frequently.

This unit is 29.94 inches / 76.05 cm wide by 67.26 inches / 170.85 cm high by 28.48 inches / 72.35 cm deep, please make sure that you leave the minimum amount of space between the unit and all surrounding walls and vents (see location section). Do not cover any of the ventilation openings with any material as the unit needs adequate space to breathe.

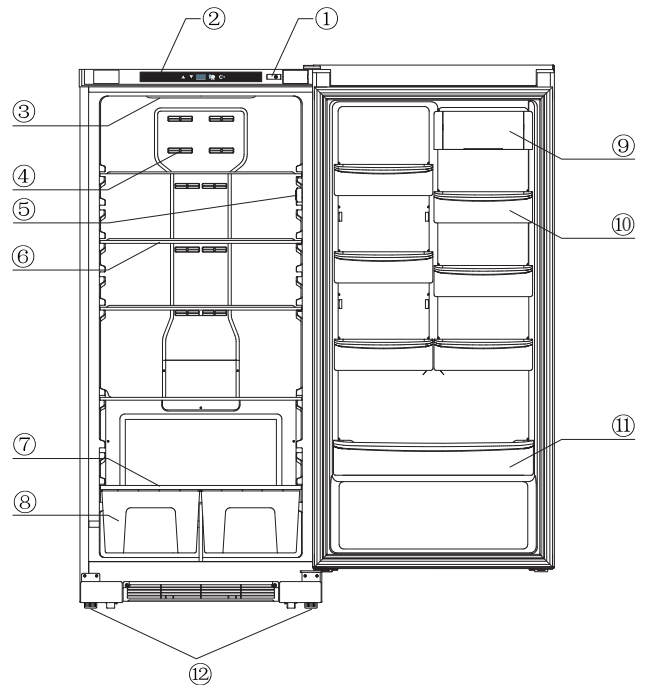
Place the appliance firmly on a solid base. Some appliances have adjustable feet on the front side; use them to level the appliance (*some models only*).

NOTE: This appliance is intended for FREE-STANDING INSTALLATION ONLY, and is NOT intended to be built-in. This appliance is approved for INDOOR USE ONLY and is NOT intended for outdoor operation.

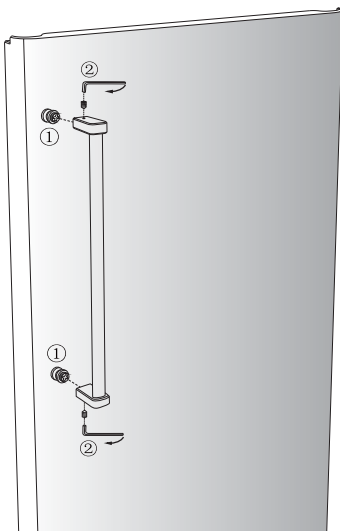
Note: Do not operate this unit where the ambient room temperature is below 5°C (41°F)

FEATURES

1. Light Switch
2. Control Panel
3. LED Light
4. Airflow Outlet
5. Temperature Sensor
6. Refrigerator Shelf
7. Airflow Inlet
8. Vegetable Crisper
9. Butter Keeper
10. Adjustable Door Bin
11. Large Capacity Door Bin
12. Adjustable Feet: Please adjust to level your unit.



HANDLE INSTALLATION



The unit must be unplugged before installing the handle

1. The refrigerator ships with the handle inside
2. To install the handle, remove packaging and position the handle over the door handle posts
3. Once the handle is in position on the posts insert the small hex screws into the handle bracket and tighten them with the allen key provided. Turn until snug but do not over tighten



DOOR REVERSAL INSTRUCTIONS

CAUTION

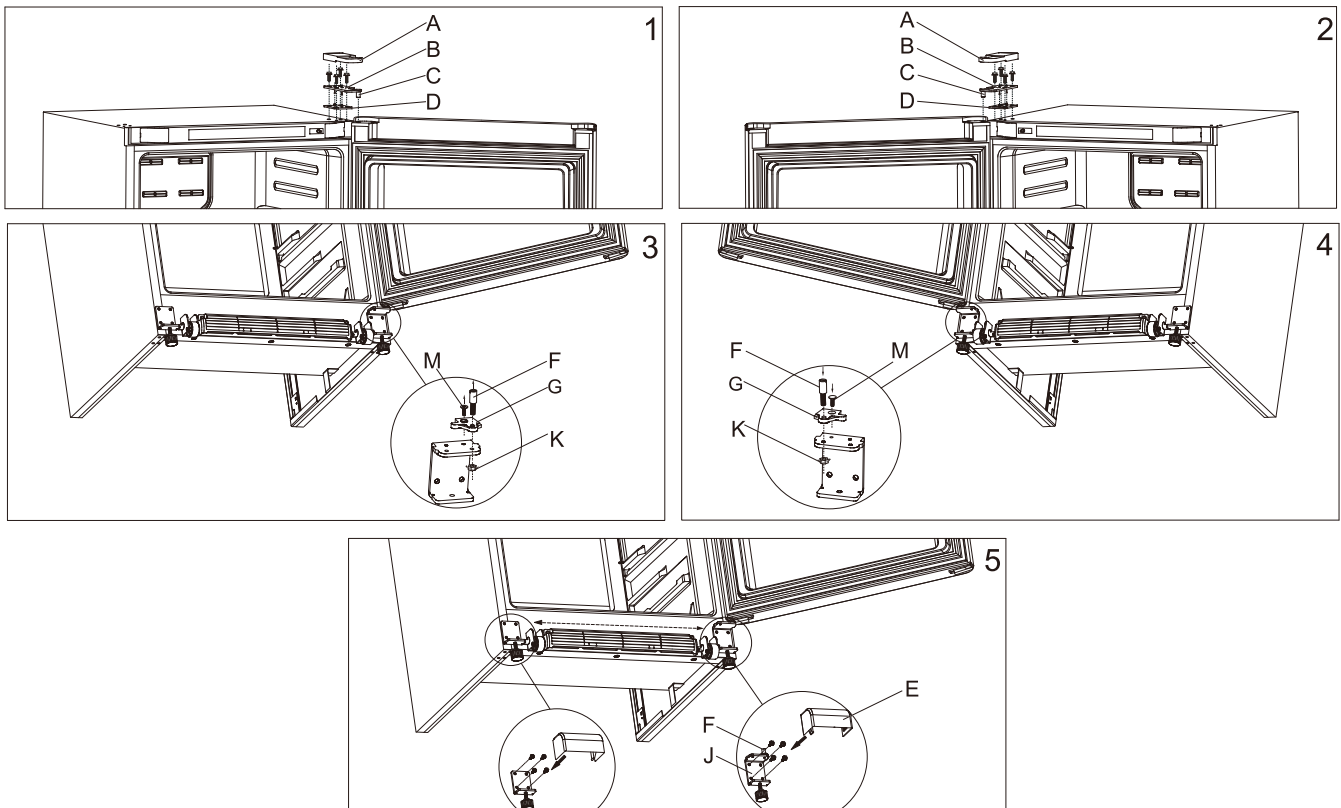
To avoid personal injury to yourself and/or property, we recommend someone assist you during the door reversal process.

If you find it necessary to reverse the swing of the freezer door, please follow the directions below.

We suggest emptying the unit and placing it on its back before beginning. Place a towel or blanket on the floor underneath the unit to protect it from possible scratches.

After completing the door reversal, ensure that you allow the unit to stand upright and empty for a minimum of four hours before plugging in.

1. Remove one screw from top hinge cover (A) and then remove top hinge cover.
2. Remove four screws from top hinge (B) and then remove top hinge, top door spindle (C) and top hinge spacer (D).
3. Remove door from unit and set aside. Ensure that you do not damage the bottom door spindles (F).
4. Remove roller caps at bottom of unit (E).
5. Remove four screws each from both bottom hinges and then swap the bottom hinges (J). Ensure that the C-shaped hinge is on the side of the unit opposite the handle.
6. Reinstall four screws each in both bottom hinges (F).
7. Reinstall the bottom door spindles (F and G).
8. Reinstall the roller caps at the bottom of the unit (E).
9. Reinstall the door and ensure that the bottom door spindle (F) is placed in the hole in bottom hinge that is closest to the outside of the unit.
10. Replace hinge spacer (D), replace top door spindle (C), reinstall top hinge with four screws (B). Ensure that you flip the top hinge to its opposite side so that the top door spindle is in the correct position.
11. Reinstall the top hinge cover (A) with one screw. A top hinge cover for the opposite side of the unit can be found in the accessory bag inside the unit.





Operating Instructions

TEMPERATURE SELECTION



Setting Temperature:

- Press the arrow keys (▲ and ▼) to set / adjust the temperature. When the temperature display is flashing, you can set the temperature between 0°C to 8°C (32°F to 46°F), the recommended temperature setting is 3°C (37°F).

Setting Arctic Air Function:

- This function should be used when the refrigerator is first turned on, when the refrigerator has been filled with groceries or if the door has been ajar for an extended period. To activate this function press and hold the Arctic Air button



the adjacent LED indicator will illuminate. To cancel the Arctic Air feature simply press and hold the Arctic Air



button and until the adjacent LED indicator turns off. Once the Arctic Air cycle has finished or if cancelled the refrigerator will revert back to the last set temperature.

Switching Between °C and °F:

- To switch between °C and °F, press the °C/°F key, the corresponding indicator light will illuminate.



Care and Maintenance

CLEANING THE APPLIANCE

- Unplug the unit and remove the food and interior accessories.
- Wash the inside with a warm water and baking soda solution. The solution should be about 2 tablespoons of baking soda to a quart of water.
- Wash the baskets and interior accessories with a mild detergent solution.
- The outside of the unit should be cleaned with mild detergent and warm water.

Caution: Failure to unplug the appliance could result in electrical shock or personal injury.

POWER FAILURE

Most power failures are corrected within a few hours and should not affect the temperature of your refrigerator and/or freezer if you minimize the number of times the door is opened. If the power is going to be off for a longer period of time, you need to take the proper steps to protect your food.

DEFROSTING

This unit is equipped with a “Frost Free” type cooling system, which means you never have to defrost the refrigerator compartment.

DOOR AJAR ALARM

This unit comes equipped with a door ajar alarm that will sound if the door is left open for 3 consecutive minutes or more. An audible alarm will sound, beeping continuously and the digital temperature display will flash. To stop the door ajar alarm ensure the door has been properly closed. Once closed the alarm will stop and the display will stop flashing.



Troubleshooting

Tel: 1-800-26-DANBY (1-800-263-2629)

PROBLEM	POSSIBLE CAUSE	SOLUTION
Does not work	<ul style="list-style-type: none"> No power to unit Power cord is unplugged Wrong voltage is being used 	<ul style="list-style-type: none"> Check connection of power cord to power source Plug in the unit Use proper voltage
Refrigerator runs continuously	<ul style="list-style-type: none"> Temperature set too low (too cold) Door is not closed Hot food inserted Door opened too long or too often Close proximity to heat source or direct sunlight 	<ul style="list-style-type: none"> Set temperature higher (warmer) Close door securely Be sure food is at room temperature before inserting Minimize door openings/duration Do not place unit close to heat sources or direct sunlight
Internal temperature not cold enough	<ul style="list-style-type: none"> No power to unit Power cord is unplugged Temperature control set too high (too warm) Door is not closed Hot food inserted Door opened too long or too often Air flow obstruction Wrong voltage is being used Close proximity to heat source or direct sunlight 	<ul style="list-style-type: none"> Check connection of power cord to power source Plug in unit Check setting and change as needed Close door securely Be sure that food is at room temperature Minimize door openings/duration Allow room for air to circulate around the unit Use proper voltage Do not place unit close to heat sources or direct sunlight
Temperature too cold	<ul style="list-style-type: none"> Temperature control is set too cold 	<ul style="list-style-type: none"> Adjust the temperature
Noises	<ul style="list-style-type: none"> Parts are expanding / refrigerant is circulating 	<ul style="list-style-type: none"> This is normal

ERROR CODES

- E1: Refrigerator sensor failure.
- E2: Refrigerator defrosting sensor failure.
- E3: Refrigerator sensor failure and refrigerator defrosting sensor failure.

LIMITED IN-HOME APPLIANCE WARRANTY

This quality product is warranted to be free from manufacturer's defects in material and workmanship, provided that the unit is used under the normal operating conditions intended by the manufacturer.

This warranty is available only to the person to whom the unit was originally sold by Danby Products Limited (Canada) or Danby Products Inc. (U.S.A.) (hereafter "Danby") or by an authorized distributor of Danby, and is non-transferable.

TERMS OF WARRANTY

Plastic parts, are warranted for thirty (30) days only from purchase date, with no extensions provided.

First 18 months During the first eighteen (18) months, any functional parts of this product found to be defective, will be repaired or replaced, at warrantor's option, at no charge to the ORIGINAL purchaser.

To obtain service Danby reserves the right to limit the boundaries of "In Home Service" to the proximity of an Authorized Service Depot. Any appliance requiring service outside the limited boundaries of "In Home Service", it will be the consumer's responsibility to transport the appliance (at their own expense) to the original retailer (point of purchase) or a service depot for repair. See "Boundaries of In Home Service" below. Contact your dealer from whom your unit was purchased, or contact your nearest authorized Danby service depot, where service must be performed by a qualified service technician. If service is performed on the unit by anyone other than an authorized service depot, or the unit is used for commercial application, all obligations of Danby under this warranty shall be void.

Boundaries of In Home Service If the appliance is installed in a location that is 100 kilometres (62 miles) or more from the nearest service centre your unit must be delivered to the nearest authorized Danby Service Depot, as service must only be performed by a technician qualified and certified for warranty service by Danby. Transportation charges to and from the service location are not protected by this warranty and are the responsibility of the purchaser.

Nothing within this warranty shall imply that Danby will be responsible or liable for any spoilage or damage to food or other contents of this appliance, whether due to any defect of the appliance, or its use, whether proper or improper.

EXCLUSIONS

Save as herein provided, by Danby, there are no other warranties, conditions, representations or guarantees, express or implied, made or intended by Danby or its authorized distributors and all other warranties, conditions, representations or guarantees, including any warranties, conditions, representations or guarantees under any Sale of Goods Act or like legislation or statute is hereby expressly excluded. Save as herein provided, Danby shall not be responsible for any damages to persons or property, including the unit itself, howsoever caused or any consequential damages arising from the malfunction of the unit and by the purchase of the unit, the purchaser does hereby agree to indemnify and hold harmless Danby from any claim for damages to persons or property caused by the unit.

GENERAL PROVISIONS

No warranty or insurance herein contained or set out shall apply when damage or repair is caused by any of the following:

- 1) Power failure.
- 2) Damage in transit or when moving the appliance.
- 3) Improper power supply such as low voltage, defective house wiring or inadequate fuses.
- 4) Accident, alteration, abuse or misuse of the appliance such as inadequate air circulation in the room or abnormal operating conditions (extremely high or low room temperature).
- 5) Use for commercial or industrial purposes (i.e., If the appliance is not installed in a domestic residence).
- 6) Fire, water damage, theft, war, riot, hostility, acts of God such as hurricanes, floods etc.
- 7) Service calls resulting in customer education.
- 8) Improper Installation (i.e., Building-in of a free standing appliance or using an appliance outdoors that is not approved for outdoor application).

Proof of purchase date will be required for warranty claims; so, please retain bills of sale. In the event warranty service is required, present this document to our AUTHORIZED SERVICE DEPOT.

Warranty Service
In-home

Danby Products Limited
PO Box 1778, Guelph, Ontario, Canada N1H 6Z9
Telephone: (519) 837-0920 FAX: (519) 837-0449

1-800-263-2629
07/14

Danby Products Inc.
PO Box 669, Findlay, Ohio, U.S.A. 45840
Telephone: (419) 425-8627 FAX: (419) 425-8629



Consignes de sécurité importantes

PRENDRE CONNAISSANCE DE TOUTES LES INFORMATIONS RELATIVES À LA SÉCURITÉ AVANT D'UTILISER LE PRODUIT

Veillez vous assurer que les pièces de rechange sont remplacées par des pièces similaires, et que l'entretien soit effectué par un technicien agréé par l'usine, afin réduire le risque d'incendie à cause de mauvaises pièces ou d'entretien mal fait.

Cet appareil doit être mis à la terre. En cas de court-circuit, la mise à la terre réduit les risques de décharge électrique en fournissant un échappatoire au courant électrique. L'appareil est muni d'un cordon électrique comprenant un fil de mise à la terre et une fiche de terre.

CONDITIONS ÉLECTRIQUES

ATTENTION

ÉNERGIE ÉLECTRIQUE : Le voltage et la fréquence requis pour ce réfrigérateur sont indiqués sur la plaque d'identification.

Dû aux variations possibles sur la ligne de voltage (causé par une surcharge des circuits) il est recommandé d'installer un circuit séparé avec fusibles à partir du panneau compteur. Ceci aidera à éliminer les fluctuations du courant qui peuvent endommager le moteur.



AVERTISSEMENT IMPORTANT!

Un réfrigérateur vide peut représenter un attrait dangereux aux enfants. Retirer le joint d'étanchéité, les loquets, les couvercles ou portes des appareils ménagers inutilisés, ou prenez d'autres mesures qui assureront que l'appareil ne posera aucun danger.

DANGER : Risque de piéger un enfant. Avant de mettre votre vieux congélateur ou réfrigérateur au rebut :

- Enlever les portes.
- Laisser les tablettes en place afin que les enfants ne puissent pas facilement y entrer.

N'ATTENDEZ PAS! FAITES-LE IMMÉDIATEMENT!

- Ce dispositif n'est pas désigné d'être utilisé par des personnes (y compris enfants) dont le développement et capacité physique, sensoriel ou mental est différente ou réduite, ou par les personnes qui manquent d'expérience ou de connaissance sauf si ces personnes sont surveillés ou formés par une personne responsable de leur sécurité.
- Les enfants doivent être surveillés pour s'assurer qu'ils ne jouent pas avec l'appareil.
- Ne pas utiliser de rallonges et des adaptateurs (avec 2 prises) qui ne sont pas de mise à la terre.
- Pour éviter les risques, si le cordon est endommagé, il doit être remplacé par le fabricant, son agent de service ou une personne qualifiée.
- **AVERTISSEMENT** Les prises d'air de l'enceinte de l'appareil ou de la structure encastré doivent être dégagées en tout temps.
- **AVERTISSEMENT** Ne pas utiliser d'appareils mécaniques ou autres moyens pour accélérer le dégivrage que ceux recommandés par le fabricant.
- **AVERTISSEMENT** Ne pas endommager le circuit frigorigène.
- **AVERTISSEMENT** Ne pas utiliser d'appareils électriques à l'intérieur du compartiment de conservation des aliments de cet appareil, sauf s'ils sont du type recommandé par le fabricant.
- Cet appareil n'a pas été conçu pour une installation extérieure, incluant l'installation dans un endroit qui n'a pas une température contrôlée (y compris les garages, les vérandas, les abris de voitures, etc.).
- Avant de brancher l'appareil à l'alimentation électrique, laissez-le reposer dans la position de fonctionnement pendant 6 heures. Ce qui réduira la possibilité que le système de refroidissement présente des dysfonctionnements en raison de la manutention au cours du transport.
- Le système frigorigène de l'appareil contient un fluide frigorigène et des substances isolantes qui doivent être transformés et traités séparément. Appelez votre réparateur autorisé ou centre de réparations spécialisé le plus proche. Si vous êtes dans l'impossibilité d'en trouver un, contactez les autorités ou le distributeur de votre localité. Prenez soin de ne pas endommager les tubes situés sur la paroi arrière de l'appareil.

CONSERVEZ CES INSTRUCTIONS!



Instructions d'installation

EMPLACEMENT

1. Choisir un place qui a un plancher fort et à niveau.
2. Éloigner l'appareil de 5 pouces des murs arrière et de côté.
3. Éviter les rayons de soleil et la chaleur directs qui peuvent affecter la surface en acrylique. Les sources de chaleur rapprochées augmentent la consommation d'énergie.
4. Éviter les endroits très humides. L'humidité élevée dans l'air occasionne la formation rapide de gèle sur l'évaporateur et le réfrigérateur. Le réfrigérateur devra être dégivré fréquemment.

Cet appareil fait 76,05 cm (29,94 pouces) de largeur, 170,85 cm (67,26 pouces) de hauteur et 72,35 cm (28,48 pouces) de profondeur. Assurez-vous de laisser un espace minimal entre l'appareil et les murs environnants, ainsi que les événements (voir la section emplacement). Ne jamais recouvrir les prises d'air de ventilation avec un matériel quelconque, car l'appareil a besoin d'un espace adéquat pour respirer.

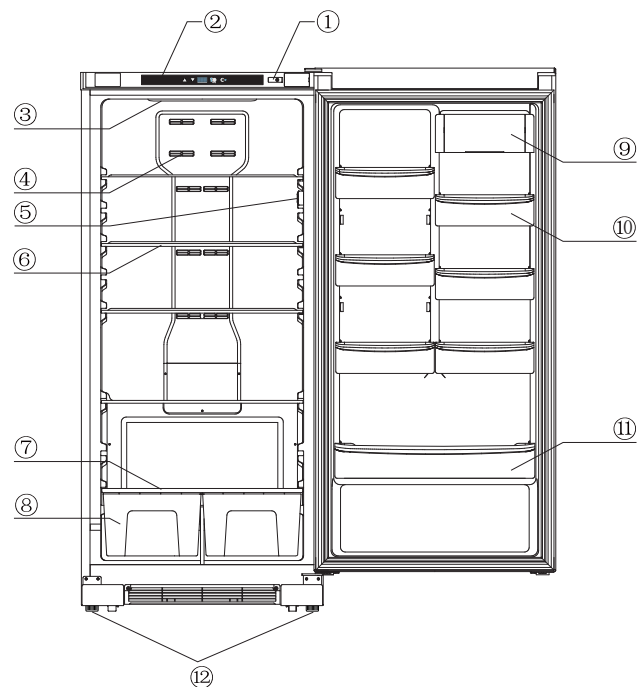
Placez l'appareil de manière à ce qu'il repose de manière ferme sur une base solide. Certains appareils possèdent des pieds réglables à l'avant; utilisez-les pour mettre les appareils à niveau (sur certains modèles seulement).

REMARQUE : Cet appareil est pour L'INSTALLATION AUTONOME SEULEMENT, et n'est pas pour l'installation intégrée. Cet appareil est approuvé pour L'USAGE D'INTÉRIEUR SEULEMENT et n'est pas approuvé pour l'usage extérieur.

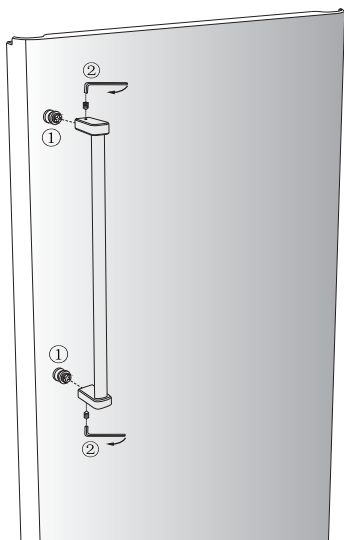
Remarque : ne pas faire fonctionner cet appareil lorsque la température ambiante est de moins de 5°C (41°F)

CARACTÉRISTIQUES

1. Interrupteur de système d'éclairage
2. Panneau de commande
3. Éclairage à DEL
4. Orifice de sortie d'air
5. Capteur de température
6. Tablette de réfrigérateur
7. Orifice d'entrée d'air
8. Bac à légumes
9. Casier à beurre
10. Balconnet réglable
11. Balconnet à grande capacité
12. Pieds de niveau réglables : doivent être utilisés afin de mettre votre appareil à niveau.



INSTALLATION DE LA POIGNÉE



L'appareil doit être débranché avant l'installation de la poignée.

1. Le réfrigérateur est transporté avec la poignée à l'intérieur.
2. Pour installer la poignée, enlevez l'emballage et positionnez la poignée sur les postes de poignée du porte.
3. Une fois que la poignée est en position sur les postes, insérez les vis à têtes hexagonales dans le support de la poignée et serrez avec la clé Allan fourni. Tournez jusqu'ils soient sécurés, mais ne pas trop serrer.



Consignes d'utilisation

INSTRUCTIONS DE PORTE RÉVERSIBLE

ATTENTION

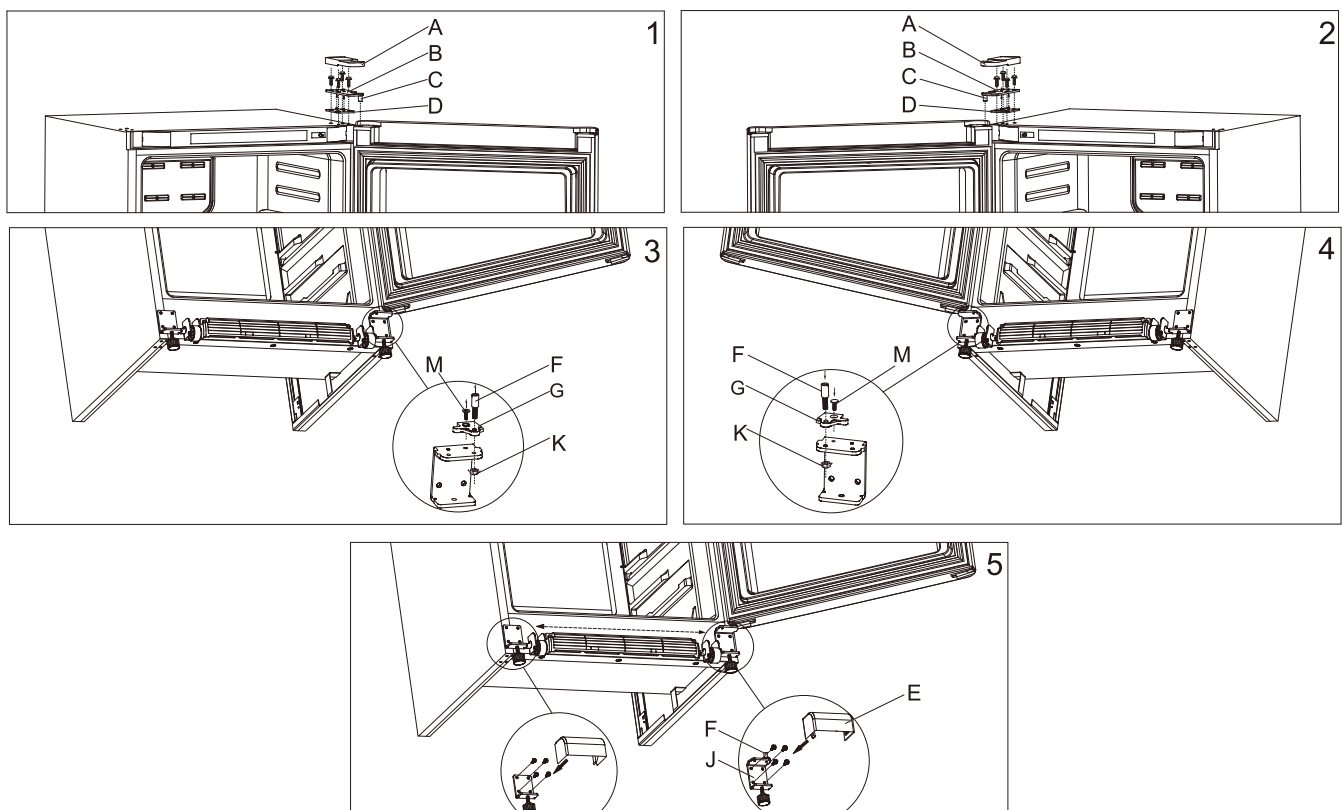
Afin d'éviter de vous blesser ou de causer des dégâts matériels, nous vous recommandons de solliciter l'aide d'autrui lors des manœuvres liées à l'inversion de la porte.

Veillez suivre les directives ci-dessous s'il est nécessaire de modifier le sens d'ouverture de la porte du congélateur.

Nous vous recommandons de demander de l'aide pour compléter le processus d'inversion de la porte. Nous vous suggérons également de vider l'appareil et de le placer sur le dos avant de commencer. Placez une serviette ou une couverture sur le plancher sous l'appareil afin de le protéger contre les rayures.

Après avoir complété le processus d'inversion de la porte, laissez l'appareil à l'endroit et vide pendant au moins quatre heures avant de le brancher.

1. Enlevez une vis du couvre-charnière supérieur (A) et enlevez le couvre-charnière supérieur.
2. Enlevez quatre vis de la charnière supérieure (B) et enlevez la charnière supérieure, l'axe de porte supérieur (C) et l'entretoise de la charnière supérieure (D).
3. Enlevez la porte de l'appareil et mettez-la de côté. Attention de ne pas endommager les axes de porte inférieurs (F).
4. Enlevez les capuchons pour roulement au bas de l'appareil (E).
5. Enlevez les quatre vis des deux charnières inférieures et échangez les charnières inférieures (J). Assurez-vous que la charnière en forme de C soit sur le côté opposé de la poignée.
6. Réinstallez quatre vis dans chacune des charnières inférieures (H).
7. Réinstallez les axes de porte inférieurs (F et G).
8. Réinstallez la porte et assurez-vous que l'axe de porte inférieur (F) soit inséré dans le trou de la charnière inférieure la plus proche de l'extérieur de l'appareil.
9. Réinstallez l'entretoise de charnière (D), réinstallez l'axe de porte supérieur (C), et réinstallez la charnière supérieure avec quatre vis (B). Assurez-vous d'inverser la charnière supérieure de sorte que l'axe de porte supérieur soit dans la bonne position.
10. Réinstallez le couvre-charnière supérieur (A) avec une vis. Vous trouverez un couvre-charnière supérieur pour le côté opposé de l'appareil dans le sac d'accessoires à l'intérieur de l'appareil.
11. Réinstallez les capuchons pour roulement au bas de l'appareil (E).





Consignes d'utilisation

SÉLECTION DE LA TEMPÉRATURE




Réglage de la température :

- Presser les touches flèches (▲ et ▼) afin de régler ou d'ajuster la température. Lorsque l'afficheur de température clignote, il vous est possible de régler la température entre 0°C et 8°C (32°F à 46°F), 3°C (37°F) étant le réglage recommandé.

Réglage de la fonction air arctique :

- Cette fonction devrait être utilisée au premier branchement du réfrigérateur, lorsqu'il vient d'être rempli avec des aliments ou lorsque la porte a été entrouverte durant une assez longue période. Pour activer cette fonction, appuy-

er sur le bouton air arctique  et le maintenir enfoncé jusqu'à ce que le voyant à DEL adjacent s'allume. Pour

annuler la fonction air arctique, presser simplement et maintenir enfoncé le bouton air arctique  jusqu'à ce que le voyant à DEL adjacent s'éteigne. Lorsque le cycle air arctique est terminé ou s'il est annulé, le réfrigérateur revient automatiquement à la température précédemment réglée.

Passer de °C à °F :

- Pour passer de °C à °F, presser la clé °C/°F, le voyant lumineux correspondant s'allumera.



Soins et entretien

NETTOYAGE DE L'APPAREIL

- Débranchez l'appareil et retirez les accessoires intérieurs.
- Lavez l'intérieur au bicarbonate de soude dilué dans de l'eau chaude. La solution doit contenir 2 cuillerées à soupe de bicarbonate de soude pour un litre d'eau.
- Lavez les accessoires intérieurs avec une solution de détergent non abrasif.
- L'extérieur de l'appareil doit être nettoyé à l'aide d'un détergent doux dilué dans de l'eau chaude.

Mise en garde : Ne pas débrancher le réfrigérateur-congélateur pourrait vous exposer à un risque de choc électrique ou de blessure corporelle.

PANNE D'ÉLECTRICITÉ

La plupart des pannes de courant ne durent que quelques heures et ne devraient pas modifier la température de votre réfrigérateur et/ou congélateur si vous réduisez au minimum le nombre de fois où la porte est ouverte. Si le courant reste coupé pendant une longue période, il faut prendre des mesures pour protéger les aliments dans l'appareil.

DÉGIVRAGE

Cet appareil est équipé d'un système de refroidissement de type « sans givre », ce qui signifie que vous n'aurez jamais à dégivrer le compartiment congélateur du réfrigérateur.

AVERTISSEUR SONORE DE PORTE ENTROUVERTE

Cet appareil comprend un avertisseur sonore de porte entrouverte qui se déclenchera si la porte est laissée ouverte durant 3 minutes consécutives ou plus. Un signal sonore se fera entendre en continu et l'afficheur numérique de la température clignotera. Dès que la porte est convenablement fermée, l'avertisseur sonore de porte entrouverte s'arrête. Une fois la porte bien fermée, l'avertisseur sonore cesse de fonctionner et l'afficheur numérique de clignoter.



Dépannage

Tel: 1-800-26-DANBY (1-800-263-2629)

PROBLEME	CAUSE PROBABLE	SOLUTION
Ne fonctionne pas	<ul style="list-style-type: none">• Pas de tension à l'unité• Le cordon d'alimentation est débranché• Le mauvais voltage est utilisé	<ul style="list-style-type: none">• Vérifiez la connexion du cordon d'alimentation• Branchez l'appareil• Utilisez le voltage approprié
Le réfrigérateur fonctionne sans arrêt	<ul style="list-style-type: none">• La température est réglage trop haut• La porte n'est pas fermée• De la nourriture chaude a été insérée• La porte est ouverte trop souvent / long-temps• Proximité d'une source de chaleur ou source de soleil	<ul style="list-style-type: none">• Régler la température plus élevée• Fermez la porte• Assurez-vous que la nourriture est frais avant de la placer dans l'appareil• Minimisez l'ouverture de la porte• Ne placez pas l'appareil près d'une ou exposition directe aux rayons de la chaleur et du soleil
La température interne n'est pas assez froide	<ul style="list-style-type: none">• Pas de tension à l'unité• Le cordon d'alimentation est débranché• Le contrôle de la température est trop bas• La porte n'est pas fermée• La nourriture est chaude• La porte est ouverte trop souvent / long-temps• Obstruction de la circulation de l'air• Le mauvais voltage est utilisé• Proximité d'une source de chaleur ou exposition directe aux rayons du soleil	<ul style="list-style-type: none">• Vérifiez la connexion du cordon d'alimentation• Branchez l'appareil• Vérifiez le réglage et augmentez-le au besoin• Fermez la porte• Assurez-vous que la nourriture est frais avant de la placer dans l'appareil• Minimisez l'ouverture de la porte• Laissez l'air circuler dans la pièce autour de l'appareil• Utilisez le voltage approprié• Ne placez pas l'appareil près d'une ou exposition directe aux rayons de la chaleur et du soleil
Température trop froid	<ul style="list-style-type: none">• Régulateur de température réglé à une température trop froide	<ul style="list-style-type: none">• Ajuster la température
Bruits	<ul style="list-style-type: none">• Les pièces sont en expansion / le réfrigérant circule	<ul style="list-style-type: none">• C'est normal

LES CODES D'ERREUR

- E1 : Défaillance du capteur du réfrigérateur.
- E2 : Défaillance du capteur du système de dégivrage du réfrigérateur.
- E3 : Défaillance du capteur du réfrigérateur et défaillance du capteur du système de dégivrage du réfrigérateur.

GARANTIE LIMITÉE SUR APPAREIL ÉLECTROMÉNAGER À DOMICILE

Cet appareil de qualité est garanti exempt de tout vice de matière première et de fabrication, s'il est utilisé dans les conditions normales recommandées par le fabricant.

Cette garantie n'est offerte qu'à l'acheteur initial de l'appareil vendu par Danby Products Limited (Canada) ou Danby Products Inc. (E.- U.A.) (ci-après « Danby ») ou par l'un des ses distributeurs agréés et elle ne peut être transférée.

CONDITIONS

Les pièces en plastique sont garanties pendant trente (30) jours seulement à partir de la date de l'achat, sans aucune prolongation prévue.

Premiers 18 mois Pendant les premiers dix-huit (18) mois, toutes les pièces fonctionnelles de ce produit qui s'avèrent défectueuses seront réparées ou remplacées, selon le choix du garant, sans frais à l'acheteur INITIAL.

Pour bénéficier du service Le client sera responsable pour le transport et tous les frais d'expédition de tout appareil exigeant le service au dépôt de service autorisé le plus proche. S'adresser au détaillant qui a vendu l'appareil, ou à la station technique agréée de service la plus proche, où les réparations doivent être effectuées par un technicien qualifié. Si les réparations sont effectuées par quiconque autre que la station de service agréée où à des fins commerciales, toutes les obligations de Danby en vertu de cette garantie seront annulées.

Limites de l'entretien à domicile Si l'appareil est installé à plus de 100 kilomètres (62 milles) du centre de service le plus proche, il doit être livré à l'atelier de réparation autorisé par Danby le plus proche, car l'entretien doit uniquement être réalisé par un technicien qualifié et certifié pour effectuer un entretien couvert par la garantie de Danby. Les frais de transport entre votre domicile et le lieu de l'entretien ne sont pas couverts par la présente garantie et doivent être acquittés par l'acheteur.

Aucune partie de la garantie ne prévoit implicitement que le fabricant sera tenu responsable des dommages subis par les aliments ou d'autres types de contenu, qu'ils soient causés par la défectuosité de l'appareil ou par son usage adéquat ou inadéquat.

EXCLUSIONS

En vertu de la présente, il n'existe aucune autre garantie, condition ou représentation, qu'elle soit exprimée ou tacite, de façon manifeste ou intentionnelle, par Danby ou ses distributeurs agréés. De même, sont exclues toutes les autres garanties, conditions ou représentations, y compris les garanties, conditions ou représentations en vertu de toute loi régissant la vente de produits ou de toute autre législation ou règlement semblables. En vertu de la présente, Danby ne peut être tenue responsable en cas de blessures corporelles ou des dégâts matériels, y compris à l'appareil, quelle qu'en soit les causes. Danby ne peut pas être tenue responsable des dommages indirects dus au fonctionnement défectueux de l'appareil. En achetant l'appareil, l'acheteur accepte de mettre à couvert et de dégager Danby de toute responsabilité en cas de réclamation pour toute blessure corporelle ou tout dégât matériel causé par cet appareil.

CONDITIONS GÉNÉRALES

La garantie ou assurance ci-dessus ne s'applique pas si les dégâts ou réparations sont dus aux cas suivants :

- 1) Panne de courant.
- 2) Dommages subis pendant le transport ou le déplacement de l'appareil.
- 3) Alimentation électrique incorrecte (tension faible, câblage défectueux, fusibles incorrects).
- 4) Accident, modification, emploi abusif ou incorrect de l'appareil tel qu'une circulation d'air inadéquate dans la pièce ou des conditions de fonctionnement anormales (température extrêmement élevée ou basse).
- 5) Utilisation dans un but commercial ou industriel (à savoir, si l'appareil n'est pas installé dans un domicile résidentiel).
- 6) Incendie, dommages causés par l'eau, vol, guerre, émeute, hostilités, cas de force majeure (ouragan, inondation, etc.).
- 7) Visites d'un technicien pour expliquer le fonctionnement de l'appareil au propriétaire.
- 8) Installation inappropriée (par exemple, encastrément d'un appareil autoportant, ou utilisation extérieure d'un appareil non conçu à cet effet). Une preuve d'achat doit être présentée pour toute demande de réparation sous garantie. Prière de garder le reçu. Pour faire honorer la garantie, présenter ce document à la station technique agréée ou s'adresser à :

Service sous garantie
Service au domicile

Danby Products Limited
PO Box 1778, Guelph, Ontario, Canada N1H 6Z9
Téléphone : (519) 837-0920 Télécopieur: (519) 837-0449

1-800-263-2629
03/14

Danby Products Inc.
PO Box 669, Findlay, Ohio, U.S.A. 45840
Téléphone: (419) 425-8627 Télécopieur: (419) 425-8629



Importantes Instrucciones de Seguridad

LEA TODA LA INFORMACIÓN SOBRE SEGURIDAD ANTES DE UTILIZAR EL EQUIPO

Asegúrese de que las piezas del componente se reemplacen con componentes similares y que la reparación sea realizada por personal de servicio autorizado por la fábrica, así minimizará el riesgo de incendio debido a piezas incorrectas o reparación inadecuada.

Este aparato debe ser conectado a tierra. En caso de un corto circuito, la conexión a tierra reduce el riesgo de una descarga eléctrica proporcionando un cable de retorno para la corriente eléctrica.

REQUISITOS ELÉCTRICOS

ADVERTENCIA

CLASIFICACION ELÉCTRICA: La placa de serie indica el voltaje y frecuencia que se debe utilizar para el refrigerador.

Debido a posibles variaciones en la línea de voltaje (ocasionadas por sobrecargas de circuitos), se recomienda instalar un circuito con fusible separado del panel medidor. Esto ayudará a eliminar las fluctuaciones de corriente que pueden causar problemas con el motor.



¡ADVERTENCIA IMPORTANTE!

Un refrigerador vacío es una atracción muy peligrosa para los niños. Remueva el empaque, pestillos o puerta de todo electrodoméstico que no esté en uso, o tome alguna otra medida para asegurar que éste no presente peligro.

¡PELIGRO! Riesgo de que los niños queden atrapados en la unidad.

Antes de desechar su antiguo refrigerador o congelador:

- Quite las puertas.
- Deje las parrillas en su lugar exacto a fin de que los niños no puedan subir fácilmente a la unidad.

¡NO ESPERE, HAGALO AHORA MISMO!

- Este aparato no se destina para utilizarse por personas (incluyendo niños) cuyas capacidades físicas, sensoriales o mentales sean diferentes o estén reducidas, o carezcan de experiencia o conocimiento, a menos que dichas personas reciban una supervisión o capacitación para el funcionamiento del aparato por una persona responsable de su seguridad.
- Los niños deben ser supervisados para asegurar que no jueguen con el electrodoméstico.
- No utilice cables de extensión o adaptadores sin conexión a tierra (dos dientes).
- Si el cable de alimentación está dañado, éste debe ser sustituido por el fabricante, su agente de servicio o persona igualmente calificada para así evitar riesgos.
- ADVERTENCIA Mantener libres de obstrucciones las aberturas de ventilación, en la envoltura del aparato o en la estructura empotrable.
- ADVERTENCIA No utilizar dispositivos mecánicos u otros medios para acelerar el proceso de deshielo, distintos a aquellos a los recomendados por el fabricante.
- ADVERTENCIA No dañar el circuito de refrigeración.
- ADVERTENCIA No utilizar aparatos eléctricos dentro del compartimiento de almacenamiento de alimentos del aparato, a menos que sean del tipo recomendado por el fabricante.
- Esta unidad no está diseñada para instalación exterior, incluyendo la instalación en cualquier lugar que no es de temperatura controlada (incluyendo garajes, porticos, cocheras, etc.).
- Antes de conectar el aparato a la fuente de energía, deje descansar por 6 horas en la posición de operación. Esto reducirá la posibilidad de desperfectos en el sistema de enfriamiento debido a la manipulación durante el transporte.
- El sistema de refrigeración del aparato contiene líquido refrigerante y sustancias aislantes que deben tratarse y procesarse por separado. Llame al representante de servicio técnico autorizado o al centro de servicio especializado más cercano. Si no puede encontrar uno, comuníquese con las autoridades locales o con el distribuidor. Tenga cuidado de no dañar los tubos ubicados en la pared trasera del aparato.

¡GUARDE ESTAS INSTRUCCIONES!



Instrucciones de Instalación

UBICACIÓN

1. Seleccione un lugar con un piso firme y nivelado.
2. Deje un espacio de 12.70 cm (5 pulgadas) entre el refrigerador y cualquier pared adyacente.
3. Evite luz directa del sol o calor. La luz directa del sol puede afectar la unidad. Las fuentes de calor en su proximidad causarán un consumo mayor de electricidad.
4. Evite lugares muy húmedos. Demasiada humedad en el aire hará que se acumule escarcha rápidamente en el evaporador y deberá descongelar su refrigerador con mucha frecuencia.

Esta unidad tiene las siguientes dimensiones 76.05 cm (29.94 Pulgadas) ancho por 170.85 cm (67.26 Pulgadas) de altura y 72.35 cm (28.48 pulgadas) de fondo, favor de asegurarse de tener un espacio mínimo entre la unidad y las paredes alrededor de la unidad y ventilación (referirse a la sección de localización. No cubra ninguna de las aperturas de ventilación con ningún tipo de material, ya que la unidad necesita espacio adecuado para respirar.

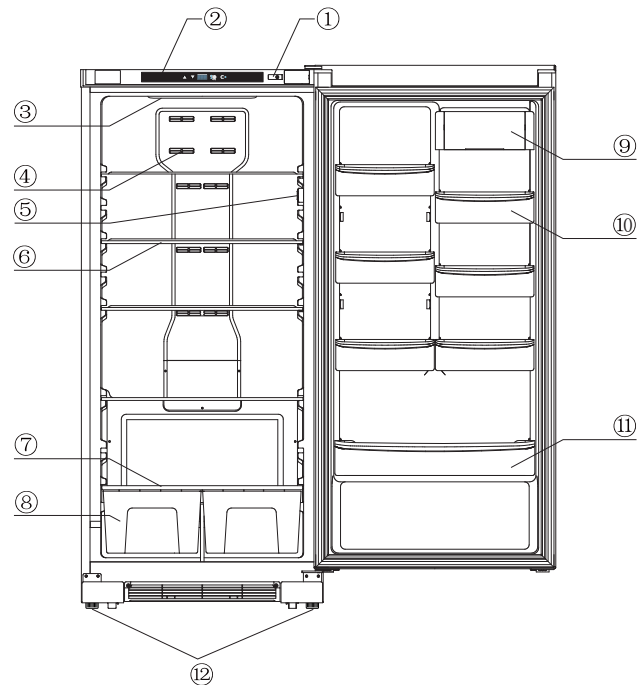
Coloque el aparato firmemente sobre una base sólida. Algunos aparatos tienen patas ajustables en la parte frontal; úselas para nivelarlos (sólo algunos modelos).

NOTAS : Este aparato esta destinado solo para **INSTALACIÓN INDEPENDIENTE** y no para instalación integrada. Este refrigerador está aprobado sólomente para **USO INTERIOR** y no para uso al aire libre.

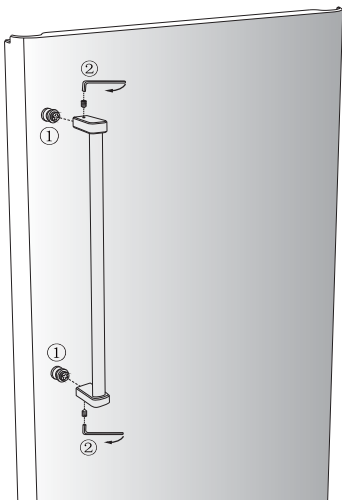
Nota: No opera esta unidad donde la temperatura ambiente este por debajo de 5°C (41°F)

CARACTERÍSTICAS

1. Interruptor de luz
2. Panel de control
3. Luz tipo LED
4. Salida de flujo de aire
5. Sensor de temperatura
6. Repisa de refrigerador
7. Entrada de flujo de aire
8. Gaveta para vegetales
9. Recipiente para la Mantequilla
10. Recipientes de puerta ajustables
11. Recipiente de puerta de gran capacidad
12. Pie ajustable: Favor de ajustar el nivel de su unidad



INSTALACIÓN DE MANJIA



Esta unidad debe estar desconectada antes de instalar la manija:

1. La manija del refrigerador viene adentro de la unidad.
2. Para instalar la manija, remueva el empaquetado y posicione la manija sobre los postes.
3. Una vez que la manija este posicionada inserte los tornillos hexagonales en los soportes de la manija y apriételes con la llave Allen proveída. Apriete hasta que este ajustado pero no sobre apriete.



Instrucciones Operativas

INSTRUCCIONES PARA INVERTIR LA PUERTA

ADVERTENCIA

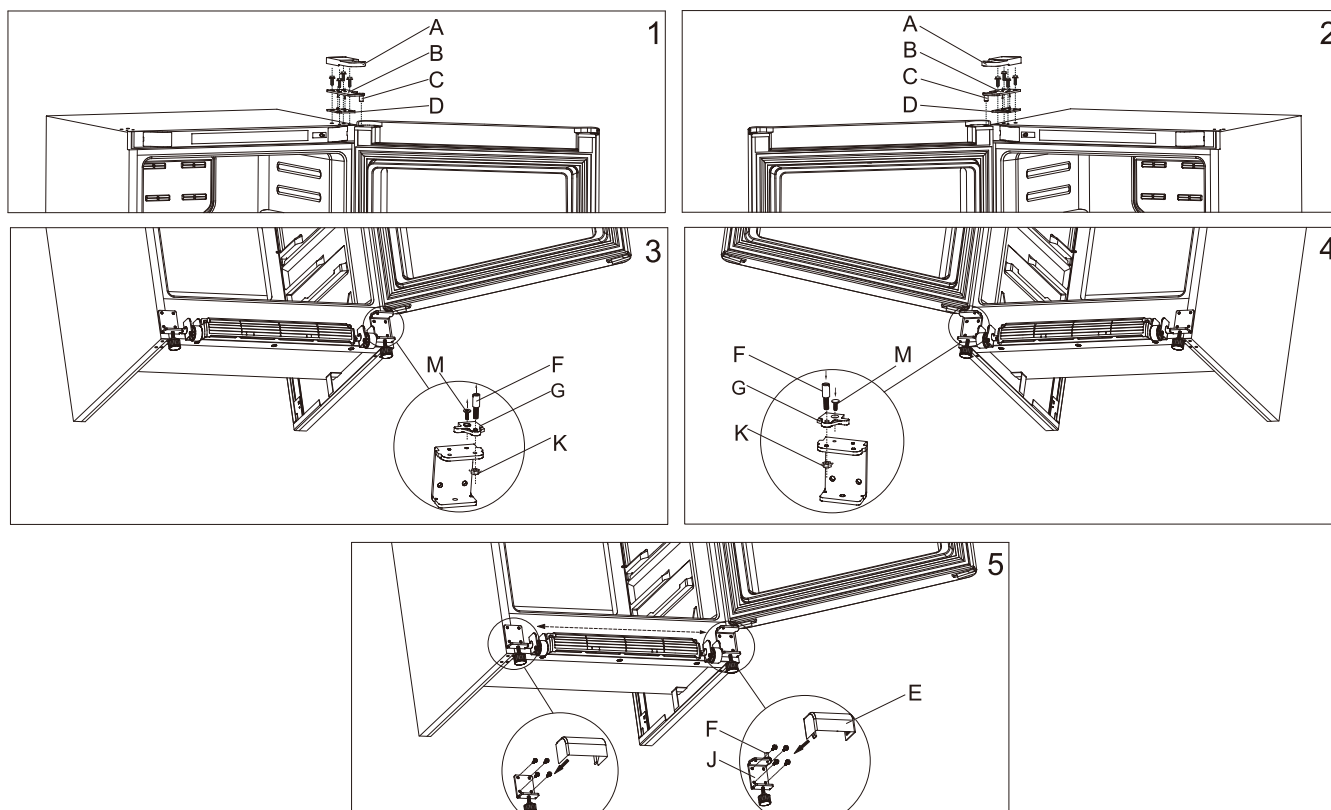
Para evitarse lesiones personales y daños a la propiedad, recomendamos que otra persona lo ayude durante el proceso de cambiar el sentido en que abre la puerta.

Si necesita invertir el sentido de apertura de la puerta del congelador, siga las instrucciones a continuación.

Le recomendamos que alguien le ayude durante el proceso de inversión de la puerta. Le recomendamos vaciar la unidad y apoyarla sobre la parte de atrás antes de comenzar. Coloque una toalla o manta en el piso debajo de la unidad para que no se raye.

Cuando termine de invertir la puerta, asegúrese de dejar la unidad parada y vacía por un mínimo de cuatro horas antes de volver a enchufarla.

1. Saque un tornillo de la cubierta de la bisagra superior (A) y luego remueva la tapa de bisagra superior.
2. Saque cuatro tornillos de la bisagra superior (B) y remueva la bisagra superior, el vástago superior de la puerta (C) y el espaciador de la bisagra superior (D).
3. Saque la puerta de la unidad y déjala a un lado. Asegúrese de no dañar los vástagos inferiores de la puerta (F).
4. Remueva las tapas de los rodillos de la parte de abajo de la unidad (E).
5. Remueva cuatro tornillos de cada una de las bisagras inferiores e invierta las bisagras inferiores (J). Verifique que la bisagra en forma de C quede del lado de la unidad opuesto a la manija.
6. Vuelva a instalar los cuatro tornillos de cada bisagra inferior (F).
7. Vuelva a instalar los vástagos inferiores de la puerta (G).
8. Vuelva a instalar la puerta verificando que el vástago inferior (F) quede dentro del orificio de la bisagra inferior más cercano al exterior de la unidad.
9. Vuelva a colocar el espaciador de la bisagra (D), el vástago superior de la puerta (C) y la bisagra superior con los cuatro tornillos (B). Asegúrese de cambiar la bisagra superior al lado opuesto de modo que el vástago superior de la puerta quede en la posición correcta.
10. Vuelva a instalar la tapa de la bisagra superior (A) con un tornillo. Puede encontrar una tapa de bisagra superior para el lado opuesto de la unidad en la bolsa de accesorios dentro de la unidad.
11. Vuelva a instalar las tapas de los rodillos en la parte de abajo de la unidad (E).





Instrucciones Operativas

SELECCIÓN DE TEMPERATURA




Ajuste de Temperatura:

- Presionar la teclas con las flechas (▲ y ▼) para ajustar la función Arctic Air cuando la pantalla digital de temperatura este brillando, usted podrá ajustar la temperatura entre 0°C a 8°C (32°F a 46°F), la temperatura que se recomienda es de 3°C (37°F).

Ajuste de la función de Aire del Artico (Arctic Air Function):

- Esta función debería de usarse cuando el refrigerador se ha encendido por primera vez, cuando el refrigerador este lleno de comestibles o si la alarma de puerta entre-abierta se ha activado por un periodo prolongado. Para activar

esta función presione y mantenga el botón de comando “ARCTIC AIR”  la luz LED de adjunto se iluminara.

Para cancelar la función de “ARCTIC AIR” . Simplemente presione y mantenga por unos segundos el botón de comando “ARCTIC AIR” hasta que la luz LED adjunta se haya apagado. Una vez que el ciclo de “Arctic Air” haya finalizado o si este fue cancelado, el refrigerador se regresará al ultimo ajuste de temperatura.

Cambiar la lectura de temperatura de grados Celsius °C a grados Fahrenheit °F:

- Para cambiar entre °C y °F, presione la tecla °C/°F, la luz correspondiente se iluminara.



Cuidado y Mantenimiento

LIMPIEZA DEL ARTEFACTO

- Desenchufe la unidad y saque la comida y los accesorios del interior.
- Limpie el interior con una solución de agua tibia y bicarbonato de sodio. La solución debe contener cerca de 2 cucharadas de bicarbonato de sodio y un cuarto de agua.
- Limpie los cajones y accesorios del interior con un detergente suave.
- El exterior de la unidad debe limpiarse con un detergente suave y agua tibia.

Advertencia: El no desenchufar el refrigerador podría ocasionar descarga eléctrica o daños corporales.

CORTE DE CORRIENTE

La mayoría de las fallas eléctricas se solucionan en pocas horas y no deberían afectar la temperatura de su refrigerador y/o congelador si reduce la cantidad de veces que abre su puerta. Si la interrupción de corriente se prolonga por un período más largo, deberá tomar las medidas pertinentes para conservar sus alimentos.

DESCONGELACIÓN

Esta unidad está equipada con un sistema de refrigeración de tipo “Frost Free”, lo que significa que nunca tendrá que descongelar el compartimento del congelador.

ALARMA DE PUERTA ENTRE-ABIERTA

Esta unida viene equipada con alarma de puerta entre-abierta, que hará un sonido si la puerta se permanece o se deja accidentalmente abierta por 3 minutos consecutivos o mas, entonces una alarma audible sonara, en forma de “beep”, un “beep” continuara y la pantalla digital de la temperatura brillara intermitentemente. Para parar la alarma de puerta entre-abierta asegúrese de que la puerta haya sido cerrada en forma adecuada, una vez con la puerta cerrada la alarma se detendrá y la pantalla digital dejara de brillar intermitentemente.



Solución Sugerida

Tel: 1-800-26-DANBY (1-800-263-2629)

PROBLEMA	POSSIBLE CAUSA	SOLUCIÓN SUGERIDA
No funciona	<ul style="list-style-type: none"> No llega corriente a la unidad Cable de alimentación de corriente está desenchufado Voltaje incorrecto 	<ul style="list-style-type: none"> Revise la conexión del cable de alimentación al enchufe Enchufe la unidad Use el voltaje correcto
El refrigerador funciona constantemente	<ul style="list-style-type: none"> Temperatura fijada demasiado baja La puerta no está cerrada Se colocó comida caliente Se abrió la puerta demasiadas veces o durante mucho tiempo Muy cerca de una fuente de calor o bajo la luz directa del sol 	<ul style="list-style-type: none"> Ajustar la temperatura más alta Cierre bien la puerta Verifique que los alimentos estén a temperatura ambiente antes de guardarlos Abra menos veces la puerta No coloque la unidad cerca de fuentes de calor o bajo la luz directa del sol
La temperatura interna no es muy fría	<ul style="list-style-type: none"> No llega corriente a la unidad Cable de alimentación de corriente está desenchufado Control de temperatura fijada muy bajo (muy caliente) La puerta no está cerrada Se introdujo alimentos calientes Se abrió la puerta demasiadas veces o durante mucho tiempo Obstrucción del flujo de aire Voltaje incorrecto Muy cerca de una fuente de calor o bajo la luz directa del sol 	<ul style="list-style-type: none"> Revise la conexión del cable de alimentación al enchufe Enchufe la unidad Verifique el ajuste y aumentelo como sea necesario Cierre bien la puerta Verifique que los alimentos estén a temperatura ambiente Abra menos veces la puerta Deje lugar para que circule aire alrededor de la unidad Use el voltaje correcto No coloque la unidad cerca de fuentes de calor o bajo la luz directa del sol
Temperatura muy fría	<ul style="list-style-type: none"> El control de temperatura esta demasiado frío 	<ul style="list-style-type: none"> Ajustar la temperatura
Ruidos	<ul style="list-style-type: none"> Partes están expandiéndose / refrigerante esta circulando 	<ul style="list-style-type: none"> Esto es normal

CÓDIGOS DE ERROR

- E1: Falla de sensor del refrigerador
- E2: Falla del sensor de descongelación
- E3: Falla de sensor y falla del sensor de descongelación

GARANTÍA LIMITADA PARA ELECTRODOMÉSTICO

Este producto de calidad está garantizado contra defectos de fabricación, incluyendo partes y mano de obra, siempre y cuando la unidad se utilice bajo las condiciones normales de funcionamiento para las que fue diseñado.

Esta garantía está solamente disponible para la persona que haya comprado originalmente esta unidad directamente de Danby Products Limited (Canada) o Danby Products Inc. (U.S.A.) (en adelante "Danby") o uno de sus distribuidores autorizados, y no es transferible.

CONDITIONS

Las piezas plásticas, se autorizan por treinta (30) días solamente a partir de la fecha de la compra, sin las extensiones proporcionadas.

Primeros 18 meses Durante los primeros 18 meses, cualquier parte en buen estado de este producto que resulte defectuosa, incluyendo cualquier sistema sellado, será reparado o reemplazado, a opción del fabricante, sin cargo para el comprador ORIGINAL.

Para obtener servicio Danby se reserva el derecho de limitar la cobertura de "Servicio en Domicilio" sujeto a la proximidad de un Taller de Servicio Autorizado. Para todo artefacto que requiera servicio fuera del área limitada de "Servicio en Domicilio", el cliente será responsable por transportar dicho artefacto hasta el Taller de Servicio Autorizado más cercano. Consulte "Límites del servicio técnico a domicilio", a continuación. Comuníquese con el distribuidor donde haya comprado la unidad, o llame al Taller de Servicio Autorizado más cercano, donde debe ser reparada por un técnico calificado. Si esta unidad es reparada en otro lugar que no sea un Taller de Servicio Autorizado, o si la unidad se utiliza para aplicaciones comerciales, Danby no se hará responsable de ninguna forma y la garantía será anulada.

Límites del servicio técnico a domicilio Si el electrodoméstico está instalado en un lugar que se encuentra a 100 kilómetros (62 millas) o más del centro de servicios más cercano, se debe llevar la unidad al Centro de servicios Danby autorizado más cercano, ya que dicho servicio sólo puede realizarlo un técnico calificado y certificado por Danby para prestar servicios de garantía. Los cargos por transporte desde y hacia el lugar en que se efectúe el servicio técnico no están cubiertos por esta garantía y son de responsabilidad del comprador.

Nada dentro de esta garantía implica que Danby será responsable por cualquier daño que hayan sufrido los alimentos u otros contenidos de este aparato, ya sea debido a un defecto del aparato, o su uso, adecuado o inadecuado.

EXCLUSIONES

Salvo lo aquí indicado por Danby, no existen otras garantías, condiciones o representaciones, explícitas o implícitas, concretas o intencionales por parte de Danby o sus distribuidores autorizados y todas las demás garantías, condiciones o representaciones, incluyendo cualquier garantía, condiciones o representaciones bajo cualquier Acta de Venta de Productos o legislación o estatuto similar, quedan de esta forma expresamente excluidas. Salvo lo aquí indicado, Danby no serán responsables por ningún daño a personas o bienes, incluyendo la propia unidad, sin importar su causa, o de ningún daño indirecto causado por el desperfecto de la unidad, y al comprar esta unidad, el comprador acepta por la presente, indemnizar y proteger a Danby contra cualquier reclamo por daños a personas o bienes causados por la unidad.

CONDICIONES GENERALES

No se considerará ninguna de estas garantías o seguros cuando el daño o la necesidad de reparación sea el producto de los siguientes casos:

- 1) Falla del suministro eléctrico.
- 2) Daños en tránsito o durante el transporte de la unidad.
- 3) Alimentación incorrecta, como bajo voltaje, instalación eléctrica defectuosa o fusibles inadecuados.
- 4) Accidente, modificación, abuso o uso incorrecto del artefacto, tal como insuficiente ventilación del ambiente o condiciones de operación anormales (temperatura ambiente extremadamente alta o baja).
- 5) Utilización comercial o industrial (v.g., si el electrodoméstico no está instalado en una vivienda particular).
- 6) Incendio, daños por agua, robo, guerra, disturbios, hostilidades, actos de fuerza mayor como huracanes, inundaciones, etc.
- 7) Pedidos de servicio debido a desinformación del usuario.
- 8) Instalación inadecuada (v.g., instalación empotrada de un electrodoméstico diseñado como unidad independiente o uso de un electrodoméstico al aire libre que no esté aprobado para dicho fin).

Para acceder a la garantía se solicitará un comprobante de compra; por lo tanto, guarde su recibo. En caso de necesitar servicio de garantía, presente ese documento al TALLER DE SERVICIO AUTORIZADO.

Servicio de Garantía
Servicio en Domicilio

Danby Products Limited
PO Box 1778, Guelph, Ontario, Canada N1H 6Z9
Telephone: (519) 837-0920 FAX: (519) 837-0449

1-800-263-2629
07/13

Danby Products Inc.
PO Box 669, Findlay, Ohio, U.S.A. 45840
Telephone: (419) 425-8627 FAX: (419) 425-8629

