



MICROWAVE
Owner's Manual.....1 - 12

MICRO ONDE
Manuel du propriétaire.....13 - 24

MICROONDA
Manual del propietario.....25 - 36

MODEL • MODÈLE • MODELO

DMW07A4WDB
DMW07A4BDB
DMW09A2WDB
DMW09A2BDB
DMW09A2BSSDB

Welcome

Welcome to the Danby family. We are proud of our quality products and we believe in dependable service. We suggest that you read this owner's manual before plugging in your new appliance as it contains important operation information, safety information, troubleshooting and maintenance tips to ensure the reliability and longevity of your appliance.

Visit www.Danby.com to access self service tools, FAQs and much more. For additional assistance call **1-800-263-2629**.

Note the information below; you will need this information to obtain service under warranty. You must provide the original purchase receipt to validate your warranty and receive service.

Model Number: _____

Serial Number: _____

Date of Purchase: _____

Need Help?

Before you call for service, here are a few things you can do to help us serve you better.

Read this owner's manual:

It contains instructions to help you use and maintain your appliance properly.

If you receive a damaged appliance:

Immediately contact the retailer or builder that sold you the appliance.

Save time and money:

Check the troubleshooting section at the end of this manual before calling. This section will help you solve common problems that may occur.



1-800-26- Danby
(1-800-263-2629)



Important Safety Information

READ AND FOLLOW ALL SAFETY INSTRUCTIONS

RADIO FREQUENCY INTERFERENCE

This equipment generates and uses ISM frequencies and if not installed and used properly in strict accordance with the manufacturer's instructions, it may cause interference to radio and television reception. It has been type-tested and found to comply with limits for ISM Equipment pursuant to Part 18 of FCC Rules, which are designed to provide reasonable protection against such interference in a residential installation.

However, there is no guarantee that interference will not occur in particular installations. If this equipment does cause interference to radio or television reception, which can be determined by turning the equipment off and on, the interference can be corrected by one or more of the following methods:

- Reorient the receiving antenna of radio or television.
- Move the microwave oven away from the receiver.
- Plug the microwave into a different outlet so that microwave and receiver are on different branch circuits.

The manufacturer is not responsible for any radio or TV interference caused by unauthorized modification of this appliance. It is the responsibility of the user to correct such interference.

AVOID POSSIBLE EXPOSURE TO EXCESSIVE MICROWAVE ENERGY

- Do not attempt to operate the appliance with the door open as this can result in harmful exposure to microwave energy. Do not tamper with or attempt to defeat the safety locks.
- Do not place any object between the front face and the door or allow soil or cleaner residue to accumulate on the sealing surfaces.
- Do not operate the appliance if it is damaged. The door must close properly and there must be no damage to the hinges, latches, door, door seals or sealing surfaces.

GROUNDING INSTRUCTIONS

This appliance must be grounded. In the event of an electrical short circuit, grounding reduces the risk of electrical shock by providing an escape wire for the electrical current.

This appliance is equipped with a cord that has a grounding wire with a grounding plug. The power cord must be plugged into an outlet that is properly grounded. If the outlet is a standard 2-prong wall outlet, it is your responsibility to have it replaced with a properly grounded 3-prong wall outlet. The serial rating plate indicates the voltage and frequency the appliance is designed for.

WARNING - Improper use of the grounding plug can result in a risk of electric shock. Consult a qualified electrician or service agent if the grounding instructions are not completely understood, or if doubt exists as to whether the appliance is properly grounded.

DO NOT USE AN EXTENSION CORD

Do not connect your appliance to extension cords or together with another appliance in the same wall outlet. Do not splice the power cord. Do not under any circumstances cut or remove the third ground prong from the power cord.

If the power supply cord is damaged, it must be replaced by the manufacturer, its service agent or similar qualified person in order to avoid hazard.

SAFETY REQUIREMENTS

Ensure that component parts are replaced with like components and that servicing is done by factory authorized service personnel, to minimize the risk of possible ignition due to incorrect parts or improper service.

Children should be supervised to ensure that they do not play with the appliance.

Do not cover or block any ventilation openings in this appliance.

SAVE THESE INSTRUCTIONS!



Important Safety Information

READ AND FOLLOW ALL SAFETY INSTRUCTIONS

SAFETY REQUIREMENTS

This appliance is specifically designed to heat, cook or dry food. It is not designed for industrial or laboratory use.

Do not store or use this appliance outdoors. Do not use this appliance near water.

Do not overcook food. Carefully watch the appliance when it is in use.

Remove wire twist-ties before placing items in the appliance.

Do not use the appliance for storage purposes. Do not leave items inside the appliance when not in use.

Do not heat oil or fat for deep frying as it is difficult to control the temperature of oil in a microwave.

Pierce foods with thick skins such as potatoes, squash and apples before cooking.

Some items such as whole eggs or sealed containers have the possibility of exploding when heated and should not be placed in this appliance.

Cooking utensils may become hot because of heat transferred from heated food. Pot holders may be required.

Only use thermometers which are specifically designed for use in microwaves.

Do not operate any heating or cooking appliance beneath this appliance.

Ensure that the glass tray and rollers are in the correct position before use to avoid possible spills.

Do not operate this appliance when it is empty as this will increase the heat around the magnetron and can damage the appliance or cause a fire.

If items inside the appliance should ignite, keep the door closed, turn the appliance off and disconnect the power cord.

SAFETY - SUPERHEATED LIQUID

Liquids are able to be overheated beyond the boiling point without appearing to be boiling due to the surface tension of the liquid. Visible bubbling will not always be present when the liquid is removed from the appliance. This could result in very hot liquids suddenly boiling over when a utensil or other item such as a tea bag is inserted into the liquid.

To reduce the risk of injury:

- Do not overheat liquids. Do not heat any liquid for more than 2 minutes per cup.
- Stir liquids before and halfway through heating.
- Do not use straight-sided containers with narrow necks as this can cause a build up of steam.
- Superheated liquid can begin to spontaneously boil when removed from the microwave. After heating, allow the liquid to stand in the microwave for 30 seconds before removing.
- Use extreme care when inserting a utensil or other item into hot liquids.

The contents of milk bottles and baby food jars should be stirred or shaken and the temperature checked before serving in order to avoid burns.

Do not defrost frozen beverages, especially carbonated beverages, in this appliance as they could explode.

Hot foods and steam can cause burns. Be careful when opening any container that has been heated in the appliance. Direct the opening away from hands and face to avoid burns.

SAFETY - ARCING

Arcing refers to sparks inside the microwave while it is in operation. Arcing is caused by:

- Metal or foil inside the appliance.
- Recycled paper towels being used inside the appliance, as these can contain small pieces of metal.

If arcing is present, stop operation and remove any metal or paper towels from the appliance.

SAVE THESE INSTRUCTIONS!

INSTALLATION INSTRUCTIONS

INSTALLATION

- Remove all packing materials from the inside and outside of the appliance. Do not remove the cardboard mica sheet covering the magnetron.
- Check the appliance for damage before using, such as a misaligned or bent door, damaged door seals, broken or loose door hinges or latches, or dents inside the cavity or on the door. If there is any damage to the appliance, do not use it, return it to its point of purchase or contact consumer care.
- The appliance must be placed on a flat, stable surface that is able to hold its weight and the heaviest food likely to be placed in the appliance.
- Do not use this appliance where heat, moisture or high humidity are generated.
- Do not clean this appliance with or use near combustible materials.
- Allow 20 cm of space above the appliance, 10 cm at the back of the appliance and 5 cm on both sides for proper air flow around the appliance. Do not block any ventilation openings on the appliance.
- Do not operate the appliance without the glass tray, roller support and shaft in their correct positions.

OPERATING INSTRUCTIONS

COOKING TECHNIQUES

To achieve the best results when cooking in this appliance, follow the suggestions below.

STIRRING

Stir foods while cooking to distribute heat evenly. Food at the outside of the dish absorbs more energy and will heat more quickly so stir from the outside of the dish toward the center.

ARRANGEMENT

Arrange unevenly shaped foods thicker, meatier parts toward the outside of the turntable so they receive more heat. To prevent overcooking, place delicate items toward the center of the turntable.

SHIELDING

Delicate foods can be shielded with narrow strips of aluminum foil to prevent overcooking. Use only small amounts of foil as this can cause arcing and damage to the appliance.

TURNING

Turn food over midway through cooking to expose all parts to the microwave energy. This is important with large items and meat.

STANDING

Foods cooked in a microwave build up internal heat and continue to cook for a few minutes after heating stops. Let foods stand to complete cooking, especially meats and liquids. All liquids should be allowed to stand for a few minutes after cooking and should be shaken or stirred before consuming.

ADDING MOISTURE

Microwave energy is attracted to water molecules. Food that is uneven in moisture content should be covered and allowed to stand after cooking to allow the heat to disperse evenly. Add a small amount of water to dry food to help it cook.

OPERATING INSTRUCTIONS

COOKING UTENSILS GUIDE

Certain utensils are inappropriate for use in a microwave. See below for more information on which utensils are recommended, which should only have limited use and which are not recommended.

RECOMMENDED

Microwave Browning Dish: Used to brown the exterior of small food items. Follow the directions provided with the browning dish.

Microwavable Plastic Wrap: Used to retain steam. Leave a small opening to avoid a build up of steam. Do not place directly on food.

Glass and Ceramic Bowls and Dishes: Use for heating or cooking.

Paper Plates and Cups: Use for short term heating at low temperatures. Do not use recycled paper as they can contain metal and could ignite.

Paper Towels and Napkins: Use for short term heating and covering. They can absorb excess moisture and prevent splattering. Do not use recycled paper towels as they can contain metal and could ignite.

Wax Paper: Use as a cover to prevent splattering.

Thermometers: Only use those that are labeled "microwave safe" and follow all directions. Check the food in several places. Conventional thermometers can be used once the food has been removed from the microwave.

LIMITED USE

Aluminum Foil: Use narrow strips to prevent overcooking of exposed areas. Using too much foil can cause arcing and damage the appliance. Keep a distance of at least 1 inch (2.6 cm) between the foil and the inside of the appliance.

Ceramic, Porcelain and Stoneware: Only use if they are labeled "microwave safe".

Plastic: Only use if labeled "microwave safe".

NOT RECOMMENDED

Glass Jars and Bottles: Regular glass is too thin to be used in a microwave. It can shatter and cause damage or injury.

Paper Bags: These are a fire hazard and could ignite. The only exception is popcorn bags, which are designed for microwave use.

Styrofoam Plates and Cups: These can melt and leave an unhealthy residue on food.

Plastic Storage and Food Containers: These can melt and ignite.

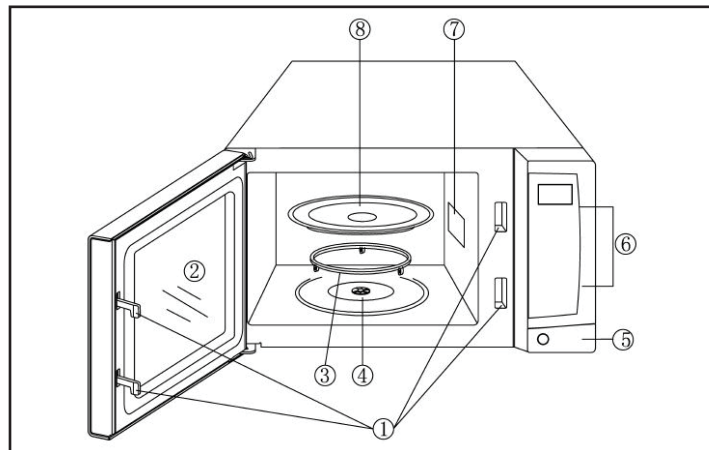
Metal Utensils: These can cause arcing and damage to the appliance. Remove all metal before operation.

Note: To check if a dish is safe for use in the microwave, place the empty dish in the appliance and microwave on high for 30 seconds. If the dish becomes very hot, it should not be used.

OPERATING INSTRUCTIONS

FEATURES

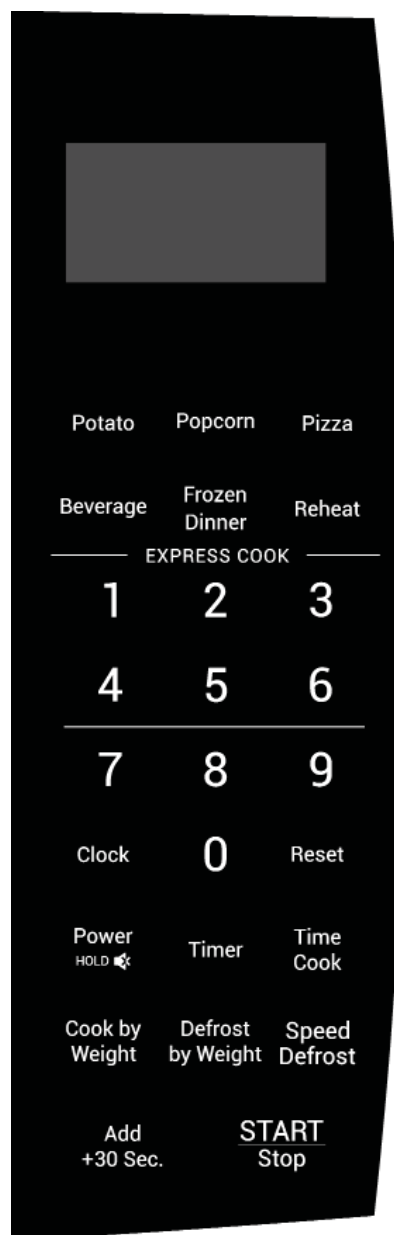
1. Door Safety Lock System
2. Oven Window
3. Roller Ring
4. Shaft
5. Door Release Button (**Note:** Some models may have a handle instead of a door release button.)
6. Control Panel
7. Mica Sheet (**Do Not Remove**)
8. Glass Tray



Note: Images in this manual are for instructional purposes only. The actual shape of your appliance may vary based on the model number.

CONTROL PANEL

1. **Display:** Shows cooking time, power level and clock time.
2. **Auto Cook Menus:** Used to set auto cook programs.
3. **Clock Button:** Used to set the current time.
4. **Power/Hold Button:** Used to select the power level. Press and hold this button for 3 seconds to enter mute mode.
5. **Time Cook:** Used to set cook time at 100% power level.
6. **Timer:** Used to set the timer function.
7. **Speed Defrost:** Used to set the defrost function based on time entered.
8. **Defrost by Weight:** Used to set the defrost function based on weight.
9. **Cook by Weight:** Used to set the cook time based on weight.
10. **Start/Stop:** Used to start or pause a cooking program.
11. **Add 30 Seconds Button:** Used to add 30 seconds to the cooking time.
12. **Reset Button:** Used to clear all previous settings. Press and hold this button for 3 seconds to set the child lock function.



OPERATING INSTRUCTIONS

FIRST TIME USE

When the appliance is plugged in for the first time, the display will show "1:01".

When setting the cook timer, the appliance will return to standby mode if there is no input within 25 seconds.

During operation:

- Press the **Start/Stop** button to pause the functioning.
- Press the **Start/Stop** button again to resume functioning.
- Press the **Reset** button to cancel the cooking program.

The appliance will beep at the end of a cooking program and will continue to beep every 2 minutes until a button is pressed or the door is opened.

SETTING THE CLOCK

The clock can be set as a 12 hour clock or a 24 hour clock.

To set the current time:

1. Press the **Clock** button once to choose a 12 hour clock. Press the **Clock** button again to choose a 24 hour clock.
2. Use the number pad to enter the current time.
3. Press the **Clock** button to confirm.

During operation, press the **Clock** button to see the current time.

TIMER FUNCTION

To set the timer function:

1. Press the **Timer** button, "TIMER" and "ENTER" will show on the display and ":" will flash.
2. Use the number pad to enter the desired time to run the microwave.
3. Press the **Start/Stop** button to begin operation.

MICROWAVE COOKING

To set a cooking power and time:

1. Press the **Power/Hold** button repeatedly until the desired cooking level is set, as per the below chart. If 100% cooking power is desired, only press the **Power/Hold** button once.

Press Power/Hold Button	Cooking Power
Once	100% (P100)
Twice	90% (P-90)
3 Times	80% (P-80)
4 Times	70% (P-70)
5 Times	60% (P-60)
6 Times	50% (P-50)
7 Times	40% (P-40)
8 Times	30% (P-30)
9 Times	20% (P-20)
10 Times	10% (P-10)
11 Times	0% (P-00)

2. Use the number pad to enter the desired cooking time.
3. Press the **Start/Stop** button to begin operation.

ADD 30 SECONDS FUNCTION

When the appliance is not in operation, pressing the **Add 30 SEC** button will run the appliance for 30 seconds at 100% power level. This button can be pressed multiple times, each press will add a further 30 seconds to the cooking time.

EXPRESS COOK

When the appliance is not in operation, press the number pad from 1 to 6 and the appliance will run between 1 and 6 minutes at 100% cooking power.

OPERATING INSTRUCTIONS

AUTO COOK

The Auto Cook buttons can be used to set automatic cooking functions for the below food types.

POPCORN

1. Press the **Popcorn** button. This will automatically set the cook time for a 3.5 oz. bag of popcorn.
2. Press the **Start/Stop** button to begin operation.

To change the preset time:

1. Press the **Popcorn** button twice. "ENTER TIME" will appear on the display.
2. Use the number pad to enter the desired cook time. This new time setting will be used every time the **Popcorn** button is pressed. If the appliance loses power, this time will need to be reprogrammed.
3. Press the **Start/Stop** button to begin operation.

POTATO

For a 4 - 6 oz. serving of potatoes:

1. Press the **Potato** button.
2. Press the **Start/Stop** button to begin operation.

PIZZA

To reheat a slice of pizza:

1. Press the **Pizza** button once.
2. Press the **Start/Stop** button to begin operation.

To heat a whole frozen pizza:

1. Press the **Pizza** button twice.
2. Press the **Start/Stop** button to begin operation.

BEVERAGE

For a 5 - 7 oz. serving size:

1. Press the **Beverage** button.
2. Use the number pad from 1 - 4 to enter the number of cups.
3. Press the **Start/Stop** button to begin operation.

For a 9 - 11 oz. serving size:

1. Press the **Beverage** button twice.
2. Use the number pad from 1 - 4 to enter the number of cups.
3. Press the **Start/Stop** button to begin operation.

Do not overheat liquids. Do not heat any liquid for more than 2 minutes per cup. After heating, allow the liquid to stand in the microwave for 30 seconds before removing from the appliance.

FROZEN DINNER

For one or two small 7 - 9 oz. dinners:

1. Press the **Frozen Dinner** button.
2. Use the number pad to indicate whether 1 or 2 dinners will be cooked.
3. Press the **Start/Stop** button to begin operation.

For one or two large 10 - 12 oz. dinners:

1. Press the **Frozen Dinner** button twice.
2. Use the number pad to indicate whether 1 or 2 dinners will be cooked.
3. Press the **Start/Stop** button to begin operation.

REHEAT

1. Press the **Reheat** button.
2. Press the **Start/Stop** button to begin operation.

OPERATING INSTRUCTIONS

COOK BY WEIGHT

1. Press the **Cook By Weight** button.
2. Press number 1, 2 or 3 to indicate what type of meat will be cooked, as per the below chart. Meat must be defrosted and at refrigerated temperature.

Code	Type	Maximum Weight
1	Beef	6 lbs.
2	Mutton	6 lbs.
3	Pork	5 lbs. 4 oz.

3. Use the number pad to enter the weight of the meat that will be cooked. Weight must be in pounds and ounces.
4. Press the **Start/Stop** button to confirm.

During operation the appliance will pause and beep to indicate that the meat should be turned over. Press the **Start/Stop** button to resume operation. Let meat stand a few minutes before carving.

DEFROST BY WEIGHT

The defrosting time and power level are adjusted automatically once the weight is entered.

1. Press the **Defrost By Weight** button.
2. Use the number pad to enter the weight of the food that will be defrosted. Weight must be in pounds and ounces. Maximum weight is 6 lbs.
3. Press the **Start/Stop** button to confirm.

During operation the appliance will pause and beep to indicate that the food should be turned over or stirred. Press the **Start/Stop** button to resume operation.

SPEED DEFROST

1. Press the **Speed Defrost** button.
2. Use the number pads to enter the desired defrosting time.
3. Press the **Start/Stop** button to confirm.

During operation the appliance will pause and beep to indicate that the food should be turned over or stirred. Press the **Start/Stop** button to resume operation.

MUTE FUNCTION

Press and hold the **Power/Hold** button for 3 seconds to enter mute mode, which will silence all sound from the appliance.

While in mute mode, press and hold the **Power/Hold** button for 3 seconds to unmute the appliance.

SETTING THE CHILD LOCK

To set the child lock, while the unit is in standby mode, press and hold the **Reset** button for 3 seconds. The appliance will beep to indicate that the child lock is activated. While locked, the appliance cannot be used.

To cancel the child lock, press and hold the **Reset** button for 3 seconds. The appliance will beep to indicate that the child lock has been deactivated.

CARE AND MAINTENANCE

CLEANING

Turn off and unplug the appliance before performing any cleaning.

The inside of the appliance should be cleaned with a warm, damp cloth and mild detergents. Do not allow food splatters to build up on the inside of the appliance as this can affect the efficiency of the microwave and if sufficiently dirty, can ignite and cause fire.

The outside of the appliance should be cleaned with a warm, damp cloth. To avoid damage to internal components, do not allow any water to drip into the ventilation openings.

Clean the door and window on both sides, the door seals and the adjacent parts frequently with a damp cloth to remove any spills or splatters. Do not use abrasive cleaners.

Do not allow the control panel to become wet. If necessary, clean the control panel with a damp cloth and then wipe dry.

The glass tray can be removed and cleaned in warm water and mild detergent or can be placed in a dishwasher.

The roller ring and oven floor should be cleaned regularly to avoid excessive noise or spilling. The roller ring can be cleaned in warm water and mild detergent or can be placed in a dishwasher. Ensure that the roller ring and glass tray are replaced in the proper position to avoid noise or spilling.

MAINTENANCE

To remove odors from the microwave:

1. Combine a cup of water with the juice and skin of one lemon in a microwavable bowl.
2. Microwave on full power for 5 minutes.
3. Wipe the inside of the appliance and glass tray and roller ring thoroughly with a warm, damp cloth.

MICA SHEET

Inside the appliance there is a cardboard mica sheet protecting the magnetron. Do not remove this from the appliance as exposing the magnetron to food splatters can cause arcing or fire. If it becomes dirty, the mica sheet can be cleaned with a warm cloth.

DISPOSAL

This product should not be treated as ordinary household waste, it should be transported to the appropriate collection point for the recycling of electrical components. For information on local waste collection points, contact your local waste disposal agency or government office.

TROUBLESHOOTING

Danby Consumer Care: 1-800-263-2629

Hours of operation:

Monday to Thursday 8:30 am - 6:00 pm Eastern Standard Time

Friday 8:30 am - 4:00 pm Eastern Standard Time

Information in this manual is subject to change without notice.

PROBLEM	POSSIBLE CAUSE
No power	<ul style="list-style-type: none">• A fuse may be blown or the circuit breaker tripped• Plug not fully inserted into the wall outlet
Arcing or sparking during operation	<ul style="list-style-type: none">• Metallic items were left in the appliance during operation• The appliance is being operated while empty• Spilled food has built up inside the appliance or on the mica sheet
Unevenly cooked food	<ul style="list-style-type: none">• Food was not completely defrosted before cooking• Cooking time or power level were insufficient• Food was not turned or stirred during cooking
Overcooked food	<ul style="list-style-type: none">• The power level or cooking time were too high
Undercooked food	<ul style="list-style-type: none">• Food was not completely defrosted before cooking• Cooking time or power level were insufficient• Food was not turned or stirred during cooking• Ventilation openings are blocked
Poor Defrosting	<ul style="list-style-type: none">• Defrosting time or power level were insufficient• Food was not turned or stirred during defrosting

LIMITED "CARRY IN" WARRANTY

This quality product is warranted to be free from manufacturer's defects in material and workmanship, provided that the unit is used under the normal operating conditions intended by the manufacturer.

This warranty is available only to the person to whom the unit was originally sold by Danby Products Limited (Canada) or Danby Products Inc. (U.S.A.) (hereafter "Danby") or by an authorized distributor of Danby, and is non-transferable.

TERMS OF WARRANTY

Plastic parts are warranted for thirty (30) days from the date of purchase, with no extensions provided.

First 12 months During the first **twelve (12) months**, any functional parts of this product found to be defective, will be repaired or replaced, at warrantor's option, at no charge to the original purchaser.

To obtain service Contact the dealer where the unit was purchased, or contact the nearest authorized Danby service depot, where service must be performed by a qualified service technician. If service is performed on the unit by anyone other than an authorized service depot, all obligations of Danby under this warranty shall be void.

It is the responsibility of the purchaser to transport the appliance to the nearest authorized service depot.

Transportation charges to and from the service location are not protected by this warranty and are the responsibility of the purchaser.

Nothing within this warranty shall imply that Danby will be responsible or liable for any spoilage or damage to food or other contents of this appliance, whether due to any defect of the appliance, or its use, whether proper or improper.

EXCLUSIONS

Save as herein provided, by Danby, there are no other warranties, conditions, representations or guarantees, express or implied, made or intended by Danby or its authorized distributors and all other warranties, conditions, representations or guarantees, including any warranties, conditions, representations or guarantees under any Sale of Goods Act or like legislation or statute is hereby expressly excluded. Save as herein provided, **Danby shall not be responsible for any damages to persons or property, including the unit itself, howsoever caused or any consequential damages arising from the malfunction of the unit and by the purchase of the unit, the purchaser does hereby agree to indemnify and hold harmless Danby from any claim for damages to persons or property caused by the unit.**

GENERAL PROVISIONS

No warranty or insurance herein contained or set out shall apply when damage or repair is caused by any of the following:

- 1) Power failure.
- 2) Damage in transit or when moving the appliance.
- 3) Improper power supply such as low voltage, defective house wiring or inadequate fuses.
- 4) Accident, alteration, abuse or misuse of the appliance such as inadequate air circulation in the room or abnormal operating conditions (ie. extremely high or low room temperature).
- 5) Use for commercial or industrial purposes (ie. If the appliance is not installed in a domestic residence).
- 6) Fire, water damage, theft, war, riot, hostility, acts of God such as hurricanes, floods etc.
- 7) Service calls resulting in customer education.
- 8) Improper Installation (ie. Building-in of a free standing appliance or using an appliance outdoors that is not approved for outdoor application, including but not limited to: garages, patios, porches or anywhere that is not properly insulated or climate controlled).

Proof of purchase date will be required for warranty claims; retain bills of sale. In the event that warranty service is required, present the proof of purchase to our authorized service depot.

Warranty Service
Carry In

Danby Products Limited
PO Box 1778, Guelph, Ontario, Canada N1H 6Z9
Telephone: (519) 837-0920 FAX: (519) 837-0449

1-800-263-2629
04/17

Danby Products Inc.
PO Box 669, Findlay, Ohio, U.S.A. 45840
Telephone: (419) 425-8627 FAX: (419) 425-8629

Bienvenue

Bienvenue à la famille Danby. Nous sommes fiers de la qualité de nos produits et nous croyons en le service fiable. Nous vous suggérons de lire ce manuel d'utilisation avant de brancher votre nouvel appareil car il contient des informations importantes sur l'utilisation, la sécurité, le dépannage et la maintenance, afin d'assurer la fiabilité et la longévité de votre appareil.

Visitez www.Danby.com pour accéder aux outils d'autoservice, aux FAQ et bien plus encore. Pour obtenir de l'aide supplémentaire, composez **1-800-263-2629**.

Notez les informations ci-dessous; Vous aurez besoin de cette information pour obtenir un service sous garantie.
Vous devez fournir le reçu d'achat original pour valider votre garantie et recevoir le service.

Numéro de modèle: _____

Numéro de serie: _____

Date d'achat: _____

Besoin d'assistance?

Avant d'appeler pour service, voici quelques choses que vous pouvez faire pour nous aider à mieux vous servir.

Lire ce manuel du propriétaire:

Il contient des instructions pour vous aider à utiliser et à maintenir votre appareil correctement.

Si vous recevez un appareil endommagé:

Contactez immédiatement le revendeur ou l'entrepreneur qui vous a vendu l'appareil.

Gagnez du temps et de l'argent:

Avant d'appeler pour service, consultez la section de dépannage à la fin de ce manuel. Cette section vous aidera à résoudre les problèmes courants pouvant survenir.



1-800-26- Danby
(1-800-263-2629)



Consignes de sécurité importantes

LIRE ET SUIVRE TOUTES LES INSTRUCTIONS DE SÉCURITÉ

INTERFÉRENCE AUX FRÉQUENCES RADIO ÉLECTRIQUES

Cet appareil génère et utilise des fréquences radio ISM et, s'il n'est pas installé et utilisé correctement en stricte conformité avec les instructions du fabricant, il peut causer des interférences au niveau de la réception des appareils de radio et de télévision. Il a été testé et s'est avéré conforme aux limites relatives aux équipements ISM, telles que définies à la partie 18 des règles de la FCC, qui fournissent les balises d'une protection raisonnable contre ces interférences dans une installation résidentielle.

Cependant, rien ne garantit que des interférences ne se produiront pas dans des installations particulières. Si cet appareil produit des interférences avec la réception de la radio ou de la télévision, ce qui peut être vérifié en éteignant et en allumant l'appareil, l'interférence peut être corrigée en appliquant l'une ou plusieurs des méthodes suivantes :

- Réorienter l'antenne de réception de la radio ou de la télévision.
- Déplacer le four à micro-ondes loin du récepteur.
- Brancher le four à micro-ondes dans une prise différente, afin que les micro-ondes et le récepteur se trouvent sur des circuits de dérivation différents.

Le fabricant n'est pas responsable des interférences radio ou TV causées par une modification non autorisée de cet appareil. Il incombe à l'utilisateur de corriger ces interférences.

ÉVITER UNE POSSIBLE EXPOSITION A UNE ENERGIE EXCESSIVE DES MICRO-ONDES

- Ne pas tenter de faire fonctionner l'appareil lorsque la porte est ouverte, car cela peut entraîner une exposition nocive à l'énergie des micro-ondes. Ne pas trafiquer ou tenter d'annuler les verrous de sécurité.
- Ne placer aucun objet entre la face avant et la porte et tenir les surfaces d'étanchéité propres en évitant que des salissures ou des résidus de produit nettoyant s'y accumulent.
- Ne pas faire fonctionner l'appareil s'il est endommagé. La porte doit être fermée correctement et il ne doit y avoir aucun dommage aux charnières, aux verrous, à la porte, aux joints de porte ou aux surfaces d'étanchéité.

INSTRUCTIONS DE MISE À LA TERRE

Cet appareil doit être mis à la terre. En cas de court-circuit, la mise à la terre réduit les risques de décharge électrique en fournissant un échappatoire au courant électrique.

Cet appareil est équipé d'un cordon doté d'un fil de mise à la terre avec une fiche de mise à la terre. Le cordon d'alimentation doit être branché sur une prise correctement mise à la terre. Si la sortie est une prise murale à 2 broches standard, il est de votre responsabilité de la remplacer par une prise murale à 3 broches correctement mise à la terre. La plaque signalétique en série indique la tension et la fréquence auxquelles l'appareil est conçu.

AVERTISSEMENT - Une fiche de mise à la terre mal branchée peut entraîner un risque d'incendie, de choc électrique ou de blessures aux personnes qui utilisent l'appareil. Si vous n'êtes pas certain que l'appareil est correctement mis à la terre, consultez un préposé du service qualifié.

N'UTILISER JAMAIS DE FIL DE RALLONGE

Ne connectez pas votre appareil aux rallonges ou avec un autre appareil dans la même prise murale. Ne pas épisser le cordon d'alimentation. Ne coupez ou retirez en aucun cas la troisième broche du cordon d'alimentation.

Si le cordon d'alimentation est endommagé, il doit être remplacé par le fabricant, son agent de service ou une personne qualifiée similaire afin d'éviter tout risque.

EXIGENCES DE SÉCURITÉ

Assurez-vous que les composants sont remplacés par des composants similaires et que l'entretien est effectué par le personnel de service autorisé en usine, afin de minimiser le risque d'allumage possible en raison de pièces incorrectes ou d'un mauvais service.

Les enfants doivent être surveillés pour s'assurer qu'ils ne jouent pas avec l'appareil.

Ne pas couvrir ni bloquer les ouvertures de ventilation dans cet appareil.

GARDER CES INSTRUCTIONS!



Consignes de sécurité importantes

LIRE ET SUIVRE TOUTES LES INSTRUCTIONS DE SÉCURITÉ

EXIGENCES DE SÉCURITÉ

Cet appareil est spécialement conçu pour chauffer, cuire ou sécher les aliments. Il n'est pas conçu pour une utilisation industrielle ou de laboratoire.

Ne pas entreposer ou utiliser cet appareil à l'extérieur. Ne pas utiliser cet appareil près de l'eau.

Ne pas trop cuire de la nourriture. Surveillez attentivement l'appareil lorsqu'il est utilisé.

Retirer les attaches de fil avant de placer des éléments dans l'appareil.

N'utilisez pas l'appareil à des fins de stockage. Ne laissez pas d'articles à l'intérieur de l'appareil lorsqu'il n'est pas utilisé.

Ne pas chauffer l'huile ou la graisse pour la friture car il est difficile de contrôler la température de l'huile dans un micro-ondes.

Percez les aliments avec des peaux épaisses telles que les pommes de terre, la courge et les pommes avant de cuisiner.

Certains articles tels que des œufs entiers ou des récipients scellés ont la possibilité d'exploser lorsqu'ils sont chauffés et ne doivent pas être placés dans cet appareil.

Les ustensiles de cuisine peuvent devenir chaud en raison de la chaleur transférée des aliments chauffés. Les porte-pot peuvent être nécessaires.

N'utilisez que des thermomètres spécialement conçus pour être utilisés dans les micro-ondes.

N'utilisez aucun appareil de chauffage ou de cuisson sous cet appareil.

Assurez-vous que le plateau en verre et les rouleaux sont en position correcte avant d'utiliser pour éviter d'éventuels déversements.

Ne faites pas fonctionner cet appareil lorsqu'il est vide car cela augmentera la chaleur autour du magnétron et peut endommager l'appareil ou provoquer un incendie.

Si les éléments à l'intérieur de l'appareil doivent être allumés, fermez la porte, éteignez l'appareil et débranchez le cordon d'alimentation.

SÉCURITÉ - LIQUIDE SURCHAUFFÉ

Les liquides peuvent être surchauffés au-delà du point d'ébullition sans que cela soit apparent, en raison de la tension superficielle du liquide. Le bouillonnement visible occasionné par l'ébullition n'est donc pas toujours présent, lorsque le liquide est retiré de l'appareil. Une brusque ébullition pourrait donc se déclencher, lorsqu'un ustensile ou un autre objet, tel un sachet de thé, est inséré dans le liquide surchauffé.

Pour réduire le risque de blessure :

- Ne pas surchauffer les liquides. Ne pas chauffer aucun liquide pendant plus de 2 minutes par tasse.
- Incorporer les liquides avant ou à mi-chemin du chauffage.
- N'utilisez pas de récipients à surfaces rectilignes et à cols étroits, car cela peut entraîner une accumulation de vapeur.
- Le liquide surchauffé peut commencer à entrer en ébullition spontanément, lorsqu'il est retiré du four à micro-ondes. Après le chauffage, laissez le liquide reposer dans le four à micro-ondes pendant 30 secondes.
- Soyez particulièrement prudent lorsque vous insérez un ustensile ou tout autre objet dans des liquides chauds.

Le contenu des bouteilles de lait et des pots d'aliments pour bébés doit être secoué ou remué et la température doit être vérifiée avant l'utilisation, afin d'éviter les brûlures.

Ne pas décongeler les boissons congelées, en particulier les boissons gazeuses, dans cet appareil car elles pourraient exploser.

Les aliments chauds et la vapeur peuvent causer des brûlures. Soyez très prudent lorsque vous ouvrez un récipient qui a été chauffé dans l'appareil. Afin d'éviter les brûlures, dirigez l'ouverture à l'écart des mains et du visage.

SÉCURITÉ - PRODUCTION D'ÉTINCELLES

La production d'étincelles à l'intérieur du four à micro-ondes pendant qu'il fonctionne est causée par :

- Métal ou feuille d'aluminium à l'intérieur de l'appareil.
- Essuie-tout recyclés, contenant de petits morceaux de métal, utilisés à l'intérieur de l'appareil.

Lorsque vous constatez la présence d'étincelles, arrêtez l'appareil et retirez-en les objets métalliques ou les essuie-tout.

GARDER CES INSTRUCTIONS!

INSTRUCTIONS D'INSTALLATION

INSTALLATION

- Retirez tous les matériaux d'emballage de l'intérieur et de l'extérieur de l'appareil. Ne retirez pas la feuille de mica en carton couvrant le magnétron.
- Vérifiez si l'appareil est endommagé avant de l'utiliser, comme une porte mal alignée ou pliée, des joints d'étanchéité endommagés, des charnières ou des verrous ou des verrous de la porte défectueux ou défectueux, ou des bosses à l'intérieur de la cavité ou sur la porte. En cas de dommages à l'appareil, ne l'utilisez pas, le retourner à son point de vente ou contactez le service consommateur.
- L'appareil doit être placé sur une surface plane et stable qui peut contenir son poids et la nourriture la plus lourde susceptible d'être placée dans l'appareil.
- N'utilisez pas cet appareil lorsque de la chaleur, de l'humidité ou de l'humidité élevée sont générés.
- Ne pas nettoyer cet appareil avec ou à proximité de matériaux combustibles.
- Prévoyez 20 cm d'espace au-dessus de l'appareil, 10 cm à l'arrière de l'appareil et 5 cm des deux côtés pour un débit d'air correct autour de l'appareil. Ne bloquez aucune ouverture de ventilation sur l'appareil.
- Ne faites pas fonctionner l'appareil sans le plateau en verre, le support de rouleau et l'arbre dans leurs positions correctes.

CONSIGNES D'UTILISATION

TECHNIQUES DE CUISSON

Pour obtenir les meilleurs résultats lors de la cuisson dans cet appareil, suivez les suggestions ci-dessous.

MÉLANGER

Mélanger les aliments pendant la cuisson pour répartir uniformément la chaleur. La nourriture à l'extérieur du plat absorbe plus d'énergie et chauffe plus rapidement, puis remuez de l'extérieur du plat vers le centre.

ARRANGEMENT

Disposez des aliments de forme inégale plus épais, des pièces plus légères vers l'extérieur du plateau tournant afin qu'ils reçoivent plus de chaleur. Pour éviter de trop cuire, placez des objets délicats vers le centre du plateau tournant.

COUVRANT

Les aliments délicats peuvent être protégés avec des bandes étroites de papier d'aluminium pour éviter la surcouverte. N'utilisez que de petites quantités de papier car cela peut provoquer des arcs et des dommages à l'appareil.

TOURNANT

Faire passer les aliments au milieu de la cuisson pour exposer toutes les pièces à l'énergie des micro-ondes. Ceci est important pour les gros objets et la viande.

REPOS

Les aliments cuits dans un micro-ondes augmentent la chaleur interne et continuent à cuire quelques minutes après le chauffage. Laissez reposer les aliments pour terminer la cuisson, en particulier les viandes et les liquides. Tous les liquides doivent être laissés au repos pendant quelques minutes après la cuisson et doivent être secoués ou agités avant de consommer.

AJOUTER L'HUMIDITÉ

L'énergie des micro-ondes est attirée par les molécules d'eau. Les aliments qui sont inégaux dans la teneur en humidité doivent être couverts et laisser reposer après la cuisson pour permettre à la chaleur de se disperser uniformément. Ajoutez une petite quantité d'eau à la nourriture sèche pour l'aider à cuire.

CONSIGNES D'UTILISATION

GUIDE DES USTENSILES DE CUISINE

Certains ustensiles sont inappropriés pour une utilisation dans un micro-ondes. Voir ci-dessous pour plus d'informations sur les ustensiles recommandés, qui ne devraient avoir qu'une utilisation limitée et qui ne sont pas recommandés.

RECOMMANDÉ

Plat de brunissement à micro-ondes: Utilisé pour brunir l'extérieur des petits produits alimentaires. Suivez les instructions fournies avec le plat brunissant.

Enveloppement en plastique à micro-ondes: Utilisé pour retenir la vapeur. Laissez une petite ouverture pour éviter une accumulation de vapeur. Ne placez pas directement sur les aliments.

Bols et plats en verre et en céramique: Utiliser pour le chauffage ou la cuisson.

Plaques et tasses en papier: Utilisé pour un chauffage à court terme à basse température. Ne pas utiliser de papier recyclé car ils peuvent contenir du métal et pourraient s'enflammer.

Serviettes en papier et serviettes de table: Utilisé pour un chauffage et un revêtement à court terme. Ils peuvent absorber l'excès d'humidité et éviter les éclaboussures. N'utilisez pas de papier recyclé car ils peuvent contenir du métal et pourraient s'enflammer.

Papier ciré: Utiliser comme couverture pour éviter les éclaboussures.

Thermomètres: Utilisez uniquement ceux qui sont étiquetés «Va au four à micro-ondes» et suivez toutes les instructions. Vérifiez la nourriture à plusieurs endroits. Les thermomètres conventionnels peuvent être utilisés une fois que les aliments ont été retirés du micro-ondes.

USAGE LIMITÉ

Feuille d'aluminium: Utilisez des bandes étroites pour éviter la surcoupe des zones exposées. L'utilisation de trop de papier d'aluminium peut provoquer des arcs et endommager l'appareil. Gardez une distance d'au moins 1 pouce (2,6 cm) entre la feuille et l'intérieur de l'appareil.

Céramique, porcelaine et les pots de grès: Utilisez uniquement si elles sont étiquetées «Va au four à micro-ondes».

Plastic: Utilisez uniquement si elles sont étiquetées «Va au four à micro-ondes».

NON RECOMMANDÉ

Bocaux et bouteilles en verre: Le verre régulier est trop fin pour être utilisé dans un micro-ondes. Il peut se briser et causer des dommages ou des blessures.

Sacs en papier: Ce sont des risques d'incendie et peuvent s'enflammer. La seule exception concerne les sacs à popcorn, conçus pour l'utilisation des micro-ondes.

Plaques et tasses en styromousse: Ceux-ci peuvent fondre et laisser un résidu malsain sur les aliments.

Récipients en plastique et pots de nourriture: Ils peuvent fondre et s'enflammer.

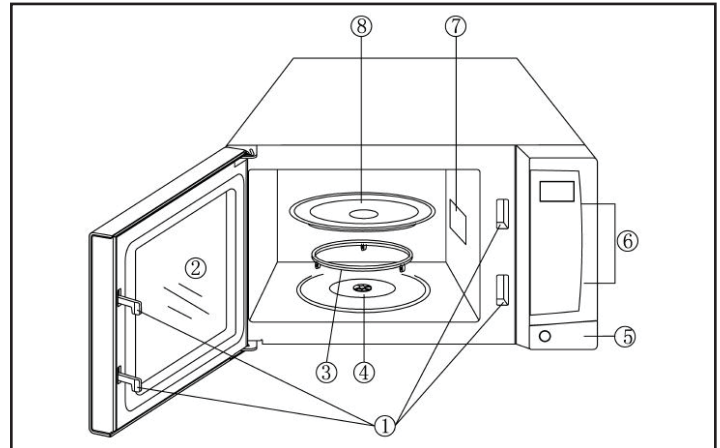
Ustensiles en métal: Cela peut provoquer des arcs et des dommages à l'appareil. Retirez tout le métal avant l'opération.

Remarque: Pour vérifier si un plat est sécurisé pour une utilisation au four micro-ondes, placez le plat vide dans l'appareil et micro-ondes en haut pendant 30 secondes. Si le plat devient très chaud, il ne doit pas être utilisé.

CONSIGNES D'UTILISATION

CARACTÉRISTIQUES

1. Système de verrouillage de porte
2. Fenêtre du four
3. Anneau de rouleau
4. Arbre tournant
5. Bouton de déverrouillage de porte (**Remarque:** Certains modèles peuvent avoir une poignée au lieu d'un bouton de déverrouillage de porte.)
6. Panneau de contrôle
7. Feuille de mica (**Ne pas enlever**)
8. Plateau en verre



Remarque: Les images dans ce manuel sont uniquement à des fins d'enseignement. La forme réelle de votre appareil peut varier selon le numéro de modèle.

PANNEAU DE CONTRÔLE

1. **Afficher:** Shows cooking time, power level and clock time.
2. **Menus de cuisson automatique:** Used to set auto cook programs.
3. **Bouton d'horloge:** Used to set the current time.
4. **Puissance/Tenir:** Utilisé pour sélectionner le niveau de puissance. Appuyez et maintenez ce bouton enfoncé pendant 3 secondes pour entrer en mode muet.
5. **Temps de cuisson:** Utilisé pour régler le temps de cuisson à 100% du niveau de puissance.
6. **Minuterie:** Utilisé pour régler la minuterie.
7. **Décongélation rapide:** Utilisé pour définir le dégivrage en fonction de l'heure saisie.
8. **Décongeler par poids:** Utilisé pour régler le dégivrage en fonction du poids.
9. **Cuire en poids:** Utilisé pour régler le temps de cuisson en fonction du poids.
10. **Commencer/Arrêter:** Utilisé pour commencer ou arrêter un programme de cuisson.
11. **Ajouter +30 sec:** Utilisé pour ajouter 30 secondes au temps de cuisson.
12. **Bouton de réinitialiser:** Utilisé pour effacer tous les paramètres précédents. Appuyez et maintenez ce bouton enfoncé pendant 3 secondes pour régler la fonction de verrouillage des enfants.



CONSIGNES D'UTILISATION

PREMIÈRE UTILISATION

Lorsque l'appareil est branché pour la première fois, l'écran affiche "1:01".

Lorsque vous réglez la minuterie de cuisson, l'appareil revient en mode veille s'il n'y a pas d'entrée dans les 25 secondes.

Pendant l'opération:

- Appuyez sur le bouton **Commencer/Arrêter** pour interrompre le fonctionnement.
- Appuyez à nouveau sur le bouton **Commencer/Arrêter** pour reprendre le fonctionnement.
- Appuyez sur le bouton **Réinitialiser** pour annuler le programme de cuisson.

L'appareil émet un bip à la fin d'un programme de cuisson et continuera à sonner toutes les 2 minutes jusqu'à ce qu'un bouton soit enfoncé ou que la porte s'ouvre.

RÉGLAGE DE L'HORLOGE

L'horloge peut être configurée comme une horloge de 12 heures ou une horloge de 24 heures.

Pour définir l'heure actuelle:

1. Appuyez une fois sur le bouton **Horloge** pour choisir une horloge de 12 heures. Appuyez à nouveau sur la touche Horloge pour choisir une horloge de 24 heures.
2. Utilisez le pavé numérique pour entrer l'heure actuelle.
3. Appuyez sur le bouton **Horloge** pour confirmer.

Pendant le fonctionnement, appuyez sur le bouton Horloge pour voir l'heure actuelle.

FONCTION TIMER

Pour régler la fonction de la minuterie:

4. Appuyez sur le bouton **Minuterie**, "TIMER" et "ENTER" s'affichent à l'écran et ":" clignotent.
5. Utilisez le pavé numérique pour entrer l'heure désirée pour exécuter le micro-ondes.
6. Appuyez sur le bouton **Commencer/Arrêter** pour commencer l'opération.

CUISSON À MICRO-ONDES

Pour régler la puissance et temps de cuisson:

1. Appuyez plusieurs fois sur le bouton **Puissance/Tenir** jusqu'à ce que le niveau de cuisson désiré soit réglé, selon le graphique ci-dessous. Si l'on veut 100% de puissance de cuisson, appuyez sur le bouton **Puissance/Tenir** une fois.

Appuyez sur le bouton Puissance/Tenir	Puissance de cuisson
Une fois	100% (P100)
Deux fois	90% (P-90)
3 fois	80% (P-80)
4 fois	70% (P-70)
5 fois	60% (P-60)
6 fois	50% (P-50)
7 fois	40% (P-40)
8 fois	30% (P-30)
9 fois	20% (P-20)
10 fois	10% (P-10)
11 fois	0% (P-00)

2. Utilisez le pavé numérique pour entrer le temps de cuisson désiré.
3. Appuyez sur le bouton **Commencer/Arrêter** pour commencer l'opération.

AJOUTER 30 SECONDS FONCTION

Lorsque l'appareil n'est pas en service, appuyez sur le bouton **Ajouter +30 SEC** pour faire fonctionner l'appareil pendant 30 secondes à 100% du niveau de puissance. Ce bouton peut être pressé à plusieurs reprises, chaque pression ajoutera encore 30 secondes au temps de cuisson.

CUISSON EXPRESS

Lorsque l'appareil n'est pas en service, appuyez sur le pavé numérique de 1 à 6 et l'appareil fonctionnera entre 1 et 6 minutes à 100% de puissance de cuisson.

CONSIGNES D'UTILISATION

CUISSON AUTOMATIQUE

Les boutons de cuisson automatique peuvent être utilisés pour régler les fonctions de cuisson automatiques pour les types d'aliments ci-dessous.

MAÏS SOUFLÉ

1. Appuyez sur le bouton **Maïs Soufflé**. Cela réglera automatiquement le temps de cuisson pour un 3,5 oz. sac de maïs soufflé.
2. Appuyez sur le bouton **Commencer/Arrêter** pour commencer l'opération.

Pour modifier le temps prédéfini:

1. Appuyez deux fois sur le bouton **Maïs Soufflé**. "ENTER TIME" apparaît sur l'affichage.
2. Utilisez le pavé numérique pour entrer le temps de cuisson désiré. Ce nouveau réglage de l'heure sera utilisé chaque fois que vous appuyez sur le bouton **Maïs Soufflé**. Si l'appareil manque d'alimentation, cette fois devra être reprogrammée.
3. Appuyez sur le bouton **Commencer/Arrêter** pour commencer l'opération.

POMME DE TERRE

Pour 4 à 6 oz. Portion de pommes de terre:

1. Appuyez sur le bouton **Pommes de Terre**.
2. Appuyez sur le bouton **Commencer/Arrêter** pour commencer l'opération.

PIZZA

Pour réchauffer une tranche de pizza:

1. Appuyez une fois sur le bouton **Pizza**.
2. Appuyez sur le bouton **Commencer/Arrêter** pour commencer l'opération.

Pour chauffer une pizza entière congelée:

1. Appuyez deux fois sur le bouton **Pizza**.
2. Appuyez sur le bouton **Commencer/Arrêter** pour commencer l'opération.

BOISSON

Pour 5 à 7 oz. portion:

1. Appuyez sur le bouton **Boisson**.
2. Utilisez le pavé numérique de 1 à 4 pour entrer le nombre de tasses.
3. Appuyez sur le bouton **Commencer/Arrêter** pour commencer l'opération.

Pour un 9 - 11 oz. portion:

1. Appuyez deux fois sur le bouton **Boisson**.
2. Utilisez le pavé numérique de 1 à 4 pour entrer le nombre de tasses.
3. Appuyez sur le bouton **Commencer/Arrêter** pour commencer l'opération.

Ne surchauffez pas les liquides. Ne pas chauffer aucun liquide pendant plus de 2 minutes par tasse. Après le chauffage, laissez le liquide rester pendant 30 secondes avant de retirer l'appareil.

DÎNER SURGELÉ

Pour une ou deux petites 7 - 9 oz. dîners:

1. Appuyez sur le bouton **Dîner Surgelé**.
2. Utilisez le pavé numérique pour indiquer si 1 ou 2 dîners seront cuits.
3. Appuyez sur le bouton **Commencer/Arrêter** pour commencer l'opération.

Pour un ou deux grands 10-12 oz. dîners:

1. Appuyez deux fois sur le bouton **Dîner Surgelé**.
2. Utilisez le pavé numérique pour indiquer si 1 ou 2 dîners seront cuits.
3. Appuyez sur le bouton **Commencer/Arrêter** pour commencer l'opération.

RÉCHAUFFER

1. Appuyez sur le bouton **Réchauffer**.
2. Appuyez sur le bouton **Commencer/Arrêter** pour commencer l'opération.

CONSIGNES D'UTILISATION

CUIRE EN POIDS

1. Appuyez sur le bouton **Cuire en Poids**.
2. Appuyez sur les numéros 1, 2 ou 3 pour indiquer quel type de viande sera cuit, selon le tableau ci-dessous. La viande doit être décongelée et à température réfrigérée.

Code	Type	Poids maximal
1	Boeuf	6 livres
2	Mouton	6 livres
3	Porc	5 livres 4 onces

3. Utilisez le pavé numérique pour entrer le poids de la viande qui sera cuite. Le poids doit être en livres et en onces.
4. Appuyez sur le bouton **Commencer/Arrêter** pour confirmer.

Pendant le fonctionnement, l'appareil s'arrête et sonne pour indiquer que la viande doit être retournée. Appuyez sur le bouton **Commencer/Arrêter** pour reprendre l'opération. Laisser reposer la viande quelques minutes avant la sculpture.

DEGIVRAGE EN POIDS

Le temps de dégivrage et le niveau de puissance sont réglés automatiquement lorsque le poids est entré.

1. Appuyez sur le bouton **Dégivrage en Poids**.
2. Utilisez le pavé numérique pour entrer le poids de la nourriture qui sera décongelée. Le poids doit être en livres et en onces. Le poids maximum est de 6 lb.
3. Appuyez sur le bouton **Commencer/Arrêter** pour confirmer.

Pendant le fonctionnement, l'appareil s'arrête et émet un bip pour indiquer que les aliments doivent être retournés ou agités. Appuyez sur le bouton **Commencer/Arrêter** pour reprendre l'opération.

DÉCONGÉLATION RAPIDE

1. Appuyez sur le bouton de **Décongélation Rapide**.
2. Utilisez les touches numériques pour entrer le temps de dégivrage souhaité.
3. Appuyez sur le bouton **Commencer/Arrêter** pour confirmer.

Pendant le fonctionnement, l'appareil s'arrête et émet un bip pour indiquer que les aliments doivent être retournés ou agités. Appuyez sur le bouton **Commencer/Arrêter** pour reprendre l'opération.

FONCTION MUTE

Appuyez et maintenez enfoncé le bouton **Puissance/Tenir** pendant 3 secondes pour entrer en mode muet, ce qui va faire taire tous les sons de l'appareil.

En mode muet, maintenez le bouton **Puissance/Tenir** enfoncé pendant 3 secondes pour désactiver l'appareil.

RÉGLAGE DE LA VERROUILLAGE DES ENFANTS

Pour régler le verrouillage enfant, pendant que l'appareil est en mode veille, appuyez et maintenez le bouton **Réinitialiser** pendant 3 secondes. L'appareil émet un bip pour indiquer que le verrouillage enfant est activé. Tout en étant verrouillé, l'appareil ne peut pas être utilisé.

Pour annuler le verrouillage enfant, maintenez le bouton **Réinitialiser** enfoncée pendant 3 secondes. L'appareil émet un bip pour indiquer que le verrouillage enfant a été désactivé.

NETTOYAGE

Éteignez et débranchez l'appareil avant de procéder à un nettoyage.

L'intérieur de l'appareil doit être nettoyé avec un chiffon chaud et humide et des détergents doux. Ne laissez pas les éclaboussures de nourriture s'accumuler à l'intérieur de l'appareil, car cela peut affecter l'efficacité du micro-ondes et, si suffisamment sale, peut s'allumer et provoquer un incendie.

L'extérieur de l'appareil doit être nettoyé avec un chiffon chaud et humide. Pour éviter d'endommager les composants internes, ne laissez aucune eau s'écouler dans les ouvertures de ventilation.

Nettoyez la porte et la fenêtre des deux côtés, les joints de la porte et les parties adjacentes souvent avec un chiffon humide pour éliminer les déversements ou les éclaboussures. Ne pas utiliser de nettoyeurs abrasifs.

Ne laissez pas le panneau de commande se mouiller. Si nécessaire, nettoyer le panneau de commande avec un chiffon humide, puis essuyer.

Le bac en verre peut être enlevé et nettoyé dans de l'eau tiède et un détergent doux ou peut être placé dans un lave-vaisselle.

La bague de roulement et le plancher du four doivent être nettoyés régulièrement afin d'éviter un bruit ou un renversement excessif. L'anneau à rouleaux peut être nettoyé dans de l'eau tiède et un détergent doux ou peut être placé dans un lave-vaisselle. Assurez-vous que la bague de roulement et le plateau en verre sont remplacés dans la bonne position pour éviter le bruit ou le renversement.

ENTRETIEN

Pour éliminer les odeurs du micro-ondes:

1. Mélangez une tasse d'eau avec le jus et la peau d'un citron dans un bol à micro-ondes.
2. Micro-ondes à pleine puissance pendant 5 minutes.
3. Essayez complètement l'intérieur de l'appareil, le plateau en verre et l'anneau à rouleaux avec un chiffon chaud et humide.

FEUILLE DE MICA

À l'intérieur de l'appareil, il y a une feuille de carton en mica protégeant le magnétron. Ne retirez pas cela de l'appareil car l'exposition du magnétron aux éclaboussures de nourriture peut provoquer un arc ou un incendie. Si elle devient sale, la feuille de mica peut être nettoyée avec un chiffon chaud.

DISPOSITION

Ce produit ne doit pas être considéré comme un ordures ménagères, il doit être transporté vers le point de collecte approprié pour le recyclage des composants électriques. Pour plus d'informations sur les points locaux de collecte des déchets, contactez votre agence locale d'élimination des déchets ou votre bureau gouvernemental.

DÉPANNAGE

Danby soins du consommateur: 1-800-263-2629

Heures d'ouverture:

Lundi à Jeudi 8 h 30 à 18 h, heure normale de l'Est

Vendredi de 8 h 30 à 16 h, heure normale de l'Est

Les informations contenues dans ce manuel sont sujettes à modification sans préavis.

PROBLEM	POSSIBLE CAUSE
Aucune puissance	<ul style="list-style-type: none">• Un fusible peut être soufflé ou le disjoncteur a déclenché• Branchement pas complètement inséré dans la prise murale
Arracher ou étinceler pendant l'opération	<ul style="list-style-type: none">• Les articles métalliques ont été laissés dans l'appareil pendant l'opération• L'appareil fonctionne alors qu'il est vide• Les aliments renversés ont été construits à l'intérieur de l'appareil ou sur la feuille de mica
Aliments cuits de façon inégale	<ul style="list-style-type: none">• La nourriture n'a pas été complètement décongelée avant de cuisiner• Le temps de cuisson ou le niveau de puissance étaient insuffisants• La nourriture n'a pas été tournée ou agitée pendant la cuisson
Aliments trop cuit	<ul style="list-style-type: none">• Le niveau de puissance ou le temps de cuisson étaient trop élevés
Aliments non cuits	<ul style="list-style-type: none">• La nourriture n'a pas été complètement décongelée avant de cuisiner• Le temps de cuisson ou le niveau de puissance étaient insuffisants• La nourriture n'a pas été tournée ou agitée pendant la cuisson• Les ouvertures de ventilation sont bloquées
Mauvaise décongélation	<ul style="list-style-type: none">• Le temps de dégivrage ou le niveau de puissance étaient insuffisants• La nourriture n'a pas été tournée ou agitée pendant le dégivrage

GARANTIE LIMITÉE "EN ATELIER"

Cet appareil de qualité est garanti exempt de tout vice de matière première et de fabrication, s'il est utilisé dans les conditions normales recommandées par le fabricant.

Cette garantie n'est offerte qu'à l'acheteur initial de l'appareil vendu par Danby Products Limited (Canada) ou Danby Products Inc. (E.-U.A.) (ci-après « Danby ») ou par l'un des ses distributeurs agréés et elle ne peut être transférée.

CONDITIONS

Les pièces en plastique sont garanties pendant trente (30) jours seulement à partir de la date de l'achat, sans aucune prolongation prévue.

Premiers 12 mois Pendant les premiers **douze (12) mois**, toutes les pièces fonctionnelles de ce produit qui s'avèrent défectueuses seront réparées ou remplacées, selon le choix du garant, sans frais à l'acheteur initial.

Pour obtenir un service Contactez le revendeur où l'appareil a été acheté ou contactez le dépôt de service Danby autorisé le plus proche, où le service doit être effectué par un technicien de service qualifié. Si le service est effectué sur l'appareil par une personne autre qu'un dépôt de service autorisé, toutes les obligations de Danby en vertu de cette garantie seront annulées.

Il est de la responsabilité de l'acheteur de transporter l'appareil vers le dépôt de service agréé le plus proche.

Les frais de transport entre votre domicile et le lieu de l'entretien ne sont pas couverts par la présente garantie et doivent être acquittés par l'acheteur.

Aucune partie de la garantie ne prévoit implicitement que le fabricant sera tenu responsable des dommages subis par les aliments ou d'autres types de contenu, qu'ils soient causés par la défectuosité de l'appareil ou par son usage adéquat ou inadéquat.

EXCLUSIONS

En vertu de la présente, il n'existe aucune autre garantie, condition ou représentation, qu'elle soit exprimée ou tacite, de façon manifeste ou intentionnelle, par Danby ou ses distributeurs agréés. De même, sont exclues toutes les autres garanties, conditions ou représentations, y compris les garanties, conditions ou représentations en vertu de toute loi régissant la vente de produits ou de toute autre législation ou règlement semblables. **En vertu de la présente, Danby ne peut être tenue responsable en cas de blessures corporelles ou des dégâts matériels, y compris à l'appareil, quelle qu'en soit les causes. Danby ne peut pas être tenue responsable des dommages indirects dus au fonctionnement défectueux de l'appareil. En achetant l'appareil, l'acheteur accepte de mettre à couvert et de dégager Danby de toute responsabilité en cas de réclamation pour toute blessure corporelle ou tout dégât matériel causé par cet appareil.**

CONDITIONS GÉNÉRALES

La garantie ou assurance ci-dessus ne s'applique pas si les dégâts ou réparations sont dus aux cas suivants:

- 1) Panne de courant.
- 2) Dommages subis pendant le transport ou le déplacement de l'appareil.
- 3) Alimentation électrique incorrecte (tension faible, câblage défectueux, fusibles incorrects).
- 4) Accident, modification, emploi abusif ou incorrect de l'appareil tel qu'une circulation d'air inadéquate dans la pièce ou des conditions de fonctionnement anormales (température extrêmement élevée ou basse).
- 5) Utilisation dans un but commercial ou industriel (à savoir, si l'appareil n'est pas installé dans un domicile résidentiel).
- 6) Incendie, dommages causés par l'eau, vol, guerre, émeute, hostilités, cas de force majeure (ouragan, inondation, etc.).
- 7) Visites d'un technicien pour expliquer le fonctionnement de l'appareil au propriétaire.
- 8) Installation inappropriée (par exemple, encastrement d'un appareil autoportant, ou utilisation extérieure d'un appareil non conçu à cet effet, y compris, mais sans s'y limiter: les garages, les patios, les porches ou ailleurs qui ne sont pas correctement isolés ou climatisés).

La preuve de la date d'achat sera requise pour les réclamations de garantie; Conserver les factures de vente. Dans le cas où un service de garantie est requis, présentez la preuve d'achat à notre dépôt de service agréé.

Service sous garantie

En Atelier

Danby Products Limited
PO Box 1778, Guelph, Ontario, Canada N1H 6Z9
Téléphone : (519) 837-0920 Télécopieur: (519) 837-0449

1-800-263-2629
04/17

Danby Products Inc.
PO Box 669, Findlay, Ohio, U.S.A. 45840
Téléphone: (419) 425-8627 Télécopieur: (419) 425-8629

Bienvenido

Bienvenido a la familia Danby. Estamos orgullosos de nuestros productos de calidad y nos deleite en servicio confiable. Sugerimos que lea este manual del propietario antes de conectar el nuevo aparato ya que contiene información importante sobre la operación, información de seguridad, solución de problemas y consejos de mantenimiento para garantizar la fiabilidad y longevidad de su electrodoméstico.

Visite **www.Danby.com** para acceder a herramientas de autoservicio, preguntas frecuentes y mucho más. Para asistencia adicional, llame al **1-800-263-2629**.

Tenga en cuenta la información siguiente; Necesitará esta información para obtener un servicio bajo garantía.
Debe proporcionar el recibo de compra original para validar su garantía y recibir servicio.

Número de modelo: _____

Número de serie: _____

Fecha de compra: _____

Necesitas ayuda?

Antes de llamar al servicio, aquí hay algunas cosas que puede hacer para ayudarnos a servirle mejor.

Lea este manual del propietario:

Contiene instrucciones para ayudarlo a usar y mantener su aparato correctamente.

Si recibe un aparato dañado:

Inmediatamente póngase en contacto con el minorista o el constructor que le vendió el aparato.

Ahorre tiempo y dinero:

Consulte la sección de solución de problemas al final de este manual antes de llamar. Esta sección le ayudará a resolver problemas comunes que pueden ocurrir.



1-800-26- Danby
(1-800-263-2629)



Importantes Instrucciones de Seguridad

LEA Y SIGA TODAS LAS INSTRUCCIONES DE SEGURIDAD

INTERFERENCIA DE RADIO FRECUENCIA

Este equipo genera y usa frecuencias en la banda ISM (Industrial, Scientific and Medical) y si no se instala y se usa estrictamente de acuerdo a las instrucciones del fabricante, este aparato puede causar interferencia en la recepción de sus equipos de radio y televisión. Este aparato se ha comprobado que cumple con los límites establecidos para equipo ISM y esta en conformidad con la Parte 18 de las normas de la FCC, Los cuales están diseñados para proporcionar una protección razonable contra tales interferencias en una instalación domestica y de uso residencial.

Sin embargo, no hay garantía que la interferencia no ocurrirá en ciertas instalaciones. Si este equipo causa interferencia en la recepción de señales de radio o televisión, la cual pudiera determinarse encendiendo y apagando el equipo, la interferencia puede corregirse por uno o mas de los siguientes métodos:

- Reoriente la antena receptora de radio o televisión.
- Aleje el horno de microondas de la antena receptora.
- Conecte el microondas en una clavija/enchufe diferente, de modo que el microondas y el equipo receptor estén en diferentes circuitos eléctricos.

El fabricante no será responsable por cualquier interferencia de radio o televisión causada por cualquier modificación no autorizada a este electrodoméstico, En todo caso será responsabilidad del usuario corregir dicha interferencia.

EVITE LA POSIBLE EXPOSICION A USO EXCESSIVO DE ENERGIA DE MICRONDAS

- No intente hacer funcionar este electrodoméstico con la puerta abierta, este puede causar daños por la exposición de energia de microondas. No intente manipular o engañar los seguros de seguridad.
- No coloque ningún objeto entre la cara frontal del aparato y la puerta or permita que se acumule tierra o residuos de productos de limpieza en las superficies que permiten el sellado.
- No ponga a funcionar este electrodoméstico si esta dañado. La puerta debe de cerrar de manera correcta y no deberá de haber bisagras, agarraderas, seguros os superficies de sellado en mal estado o dañadas.

LA CONECIÓN A TIERRA

Este artefacto debe ser conectado a tierra. En caso de un corto circuito eléctrico, la conexión a tierra reduce el riesgo de una descarga eléctrica proporcionando un cable de retorno para la corriente eléctrica.

Este aparato está equipado con un cable que tiene un cable de tierra con un enchufe de conexión a tierra. El cable de alimentación debe estar enchufado en un tomacorriente que esté debidamente conectado a tierra. Si el tomacorriente es un tomacorriente estándar de 2 clavijas, es su responsabilidad reemplazarlo por un tomacorriente de 3 clavijas con conexión a tierra adecuada. La placa de características en serie indica el voltaje y la frecuencia para la que está diseñado el artefacto.

ADVERTENCIA - El uso inadecuado del enchufe de conexión a tierra puede resultar en un riesgo de choque eléctrico. Consulte con un electricista o persona de reparaciones competente si no comprende bien las instrucciones de conexión a tierra o si existe alguna duda sobre si el aparato está conectado a tierra correctamente.

NO UTILICE CABLES DE EXTENSIÓN

No conecte el aparato a los cables de extensión ni con otro aparato en la misma toma de corriente. No empalme el cable de alimentación. No corte ni quite en ningún caso la tercera clavija de tierra del cable de alimentación.

Si el cable de alimentación está dañado, debe ser reemplazado por el fabricante, su agente de servicio o persona calificada similar para evitar riesgos.

REQUERIMIENTOS DE SEGURIDAD

Asegúrese de que los componentes se reemplazarán por componentes similares y que el mantenimiento se hará por personal de servicio autorizado de fábrica, para minimizar el riesgo de encendido debido a piezas incorrectas o servicio inadecuado.

Los niños deben ser supervisados para asegurar que no jueguen con el electrodoméstico.

No cubra ni bloquee las aberturas de ventilación de este aparato.

¡GUARDE ESTAS INSTRUCCIONES!



Importantes Instrucciones de Seguridad

LEA Y SIGA TODAS LAS INSTRUCCIONES DE SEGURIDAD

REQUERIMIENTOS DE SEGURIDAD

Utilice este aparato sólo para el uso previsto, tal y como se describe en este manual. Este aparato está diseñado específicamente para calentar, cocinar o secar alimentos. No está diseñado para uso industrial o de laboratorio.

No guarde o use este aparato en el exterior. No utilice este aparato cerca del agua.

No cocine demasiado los alimentos. Observe atentamente el aparato cuando esté en uso.

Retire las ataduras de alambre antes de colocar los artículos en el aparato.

No utilice el aparato para almacenamiento. No deje objetos dentro del aparato cuando no estén en uso.

No caliente aceite o grasa para freír, ya que es difícil controlar la temperatura del aceite en un microondas.

Pierce los alimentos con pieles gruesas como patatas, calabaza y manzanas antes de cocinar.

Algunos artículos tales como huevos enteros o recipientes sellados tienen la posibilidad de explotar cuando se calientan y no deben ser colocados en este aparato.

Los utensilios de cocina pueden calentarse debido al calor transferido de los alimentos calentados. Pueden ser necesarios titulares de maceta.

Utilice únicamente termómetros diseñados específicamente para su uso en microondas.

No utilice ningún aparato de calefacción o cocción debajo de este aparato.

Asegúrese de que la bandeja de vidrio y los rodillos estén en la posición correcta antes de usarlos para evitar posibles derrames.

No opere este aparato cuando esté vacío, ya que esto aumentará el calor alrededor del magnetrón y puede dañar el aparato o provocar un incendio.

Si los elementos dentro del aparato se encienden, mantenga la puerta cerrada, apague el aparato y desconecte el cable de alimentación.

SEGURIDAD – LIQUIDOS SUPER-CALENTADOS

Los líquidos pueden ser sobre-calentados más allá de su punto de ebullición si que así parezca debido la tensión de la superficie del líquido en cuestión. Burbujas visibles no siempre estarán presentes cuando el recipiente con líquido es retirado del aparato microondas. Esto podría resultar en líquidos muy calientes y repentinamente hervir cuando un utensilio u otro artículo como una bolsa de té se introduce en el líquido.

Para reducir el riesgo de alguna lesión o daño:

- No sobrecaliente líquidos, no caliente ningún líquido por más de 2 minutos por cada taza o recipiente.
- Agitar el líquido antes y durante el calentamiento.
- No utilice recipientes con lados rectos o con cuello estrechos ya que esto puede causar acumulación de vapor.
- Un líquido súper-calentado puede espontáneamente comenzar a hervir cuando este es retirado del microondas. Después del calentamiento, Deje que el líquido permanezca en por espacio de 30 segundos antes de retirarlo del microondas.
- Mantenga extreme cuidado cuando introduzca algún utensilio o algún otro objeto dentro de un líquido caliente.

El contenido de botellas de leche o frascos con comida para bebe debe de batirse o agitarse y verificar la temperatura antes de ser servidos para evitar quemaduras.

No descongele bebidas congeladas, especialmente aquellas que puedan contener gas (bebidas carbonatadas) ellas podrían explotar en este electrodoméstico.

Comidas calientes y vapor pueden causar quemaduras. Tenga cuidado al abrir cualquier recipiente o contenedor que haya sido calentado en el microondas. Manteniéndolos lo más retirado posible de sus manos y cara para evitar quemaduras.

SEGURIDAD – CHISPAS Y RUIDOS

Chispas y ruidos dentro del microondas cuando este esta en funcionamiento, pueden ser causados por:

- Metal o aluminio dentro del horno microondas/ electrodoméstico.
- Toallas de papel recicladas que hayan sido usadas dentro del electrodoméstico que pudieran contener pequeñas partículas de metal.

Si chispas y ruidos llegasen a ocurrir, o presentarse, detenga inmediatamente la operación y funcionamiento de su horno, luego retire cualquier objeto de metal o toallas de papel del electrodoméstico.

¡GUARDE ESTAS INSTRUCCIONES!

INSTRUCCIONES DE INSTALACIÓN

INSTALACIÓN

- Retire todos los materiales de embalaje del interior y del exterior del aparato. No retire la hoja de mica de cartón que cubre el magnetrón.
- Compruebe si el aparato está dañado antes de usarlo, como una puerta desalineada o doblada, sellos dañados de la puerta, bisagras o pestillos de la puerta rotos o sueltos o abolladuras dentro de la cavidad o en la puerta. Si hay algún daño en el aparato, no lo utilice, devuélvalo a su punto de compra o póngase en contacto con el consumidor.
- El aparato debe colocarse sobre una superficie plana y estable que sea capaz de sostener su peso y el alimento más pesado que pueda ser colocado en el aparato.
- No utilice este aparato donde se genere calor, humedad o humedad elevada.
- No limpie este aparato con o cerca de materiales combustibles.
- Deje 20 cm de espacio por encima del aparato, 10 cm en la parte posterior del aparato y 5 cm en ambos lados para un flujo de aire adecuado alrededor del aparato. No obstruya las aberturas de ventilación del aparato.
- No opere el aparato sin la bandeja de vidrio, el soporte del rodillo y el eje en sus posiciones correctas.

INSTRUCCIONES DE OPERACIÓN

TÉCNICAS DE COCCIÓN

Para obtener los mejores resultados al cocinar en este aparato, siga las siguientes sugerencias.

REVOLVIENDO

Revuelva los alimentos mientras cocina para distribuir el calor uniformemente. Alimentos en el exterior de la antena absorbe más energía y se calienta más rápidamente para agitar desde el exterior del plato hacia el centro.

ARREGLO

Organizar los alimentos de forma irregular, más gruesos, partes más caras hacia el exterior de la plataforma giratoria para que reciban más calor. Para evitar que se quemem demasiado, coloque los artículos delicados hacia el centro de la mesa giratoria.

ESCUDO

Los alimentos delicados pueden ser protegidos con tiras estrechas de papel de aluminio para evitar la cocción excesiva. Utilice sólo pequeñas cantidades de papel de aluminio ya que esto puede provocar arcos y dañar el aparato.

TORNEADO

Convierte los alimentos a la mitad de la cocción para exponer todas las partes a la energía de microondas. Esto es importante con los artículos grandes y la carne.

REPOSEN

Los alimentos cocinados en un microondas acumulan calor interno y continúan cocinando durante unos minutos después de que se detenga la calefacción. Deje que los alimentos reposen para completar la cocción, especialmente carnes y líquidos. Todos los líquidos deben dejarse reposar durante unos minutos después de la cocción y deben ser sacudidos o revueltos antes de consumirlos.

AÑADIR HUMEDAD

La energía de la microonda se atrae a las moléculas de agua. Los alimentos que son desiguales en el contenido de humedad deben ser cubiertos y dejar reposar después de cocinar para permitir que el calor se dispersen uniformemente. Añadir una pequeña cantidad de agua para secar los alimentos para ayudar a cocinar.

INSTRUCCIONES DE OPERACIÓN

GUÍA DE UTENSILIOS DE COCINA

Ciertos utensilios son inadecuados para su uso en un microondas. Vea a continuación para más información sobre qué utensilios se recomiendan, que sólo deben tener un uso limitado y que no se recomiendan.

RECOMENDADO

Plato para dorar en el microondas: Se utiliza para dorar el exterior de los alimentos pequeños. Siga las instrucciones proporcionadas con el plato de dorado.

Envoltura de plástico para microondas: Se utiliza para retener el vapor. Deje una pequeña abertura para evitar una acumulación de vapor. No coloque directamente sobre los alimentos.

Tazones y platos de vidrio y cerámica: Uso para calentar o cocinar.

Platos y tazas de papel: Utilice para calentar a corto plazo a bajas temperaturas. No utilice papel reciclado ya que pueden contener metal y podrían encenderse.

Toallas de papel y servilletas: Utilizar para calefacción y cubrimiento a corto plazo. Pueden absorber el exceso de humedad y evitar salpicaduras. No utilice toallas de papel recicladas ya que pueden contener metal y podrían encenderse.

Papel encerado: Utilizar como tapa para evitar salpicaduras.

Termómetros: Utilice solamente aquellos que están etiquetados como "seguros para microondas" y siga todas las instrucciones. Compruebe la comida en varios lugares. Los termómetros convencionales se pueden utilizar una vez que los alimentos se han retirado del microondas.

USO LIMITADO

Papel de aluminio: Utilice tiras estrechas para evitar la cocción excesiva de las áreas expuestas. Utilizar demasiada lámina puede provocar arcos y dañar el aparato. Mantenga una distancia de por lo menos 1 pulgada (2,6 cm) entre la lámina y el interior del aparato.

Cerámica, porcelana y gres: Úselo sólo si están etiquetados como "seguros para microondas".

El plástico: Utilice solamente si está marcado como "seguro para microondas".

NO RECOMENDADO

Tarros y botellas de vidrio: El vidrio regular es demasiado delgado para ser utilizado en un microondas. Puede romperse y causar daños o lesiones.

Bolsas de papel: Estos son un peligro de incendio y podrían encenderse. La única excepción son las bolsas de palomitas de maíz, que están diseñados para uso de microondas.

Placas y tazas de espuma de poliestireno: Estos pueden derretirse y dejar un residuo poco saludable en los alimentos.

Almacenamiento de plástico y contenedores de alimentos: Estos pueden fundir y encender.

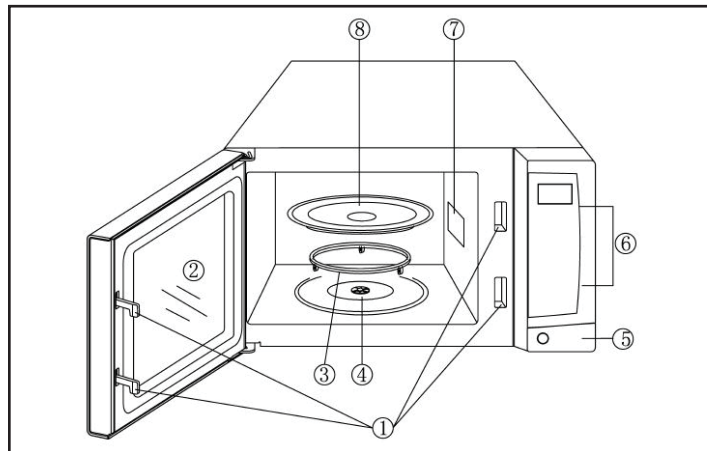
Utensilios de metal: Pueden producirse arcos y daños en el aparato. Retire todo el metal antes de la operación.

Nota: Para comprobar si un plato es seguro para su uso en el microondas, coloque el plato vacío en el aparato y el microondas en la parte alta durante 30 segundos. Si el plato se pone muy caliente, no debe utilizarse.

INSTRUCCIONES DE OPERACIÓN

CARACTERÍSTICAS

1. Sistema de bloqueo de seguridad de la puerta
2. Ventana del horno
3. Anillo de rodillos
4. Eje
5. Botón de liberación de la puerta (**Nota:** Algunos modelos pueden tener un mango en lugar de un botón de liberación de la puerta.)
6. Panel de control
7. Mica hoja (**No quitar**)
8. Bandeja de vidrio

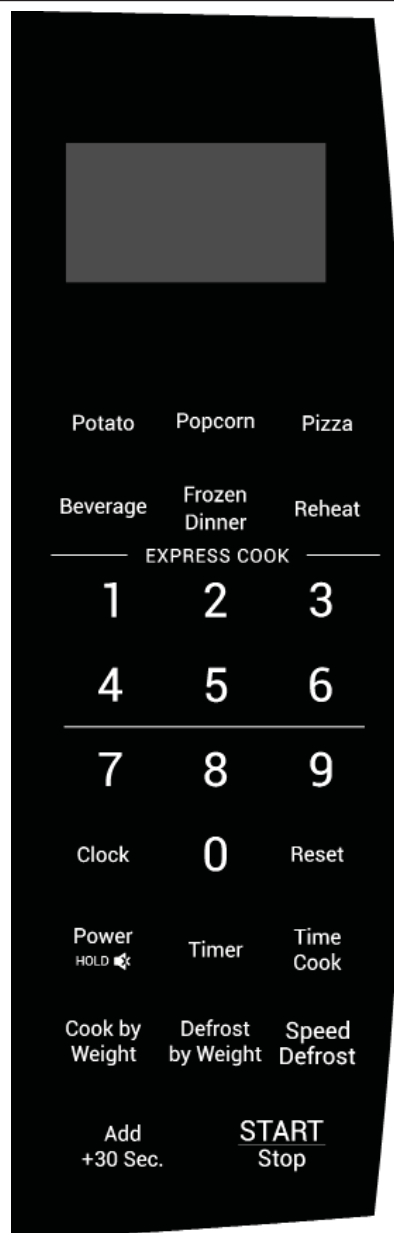


Nota: Las imágenes de este manual son sólo para fines educativos. La forma real de su aparato puede variar según el número de modelo.

PANEL DE CONTROL

1. **Pantalla de visualización:** Muestra el tiempo de cocción, el nivel de potencia y la hora del reloj.
2. **Menús de cocción automática:** Se utiliza para configurar programas de cocción automática.
3. **Botón del reloj:** Se utiliza para ajustar la hora actual.
4. **Botón de encendido/retención:** Se utiliza para seleccionar el nivel de potencia. Mantenga pulsado este botón durante 3 segundos para entrar en el modo de silencio.
5. **Cocinero de tiempo:** Se utiliza para ajustar el tiempo de cocción al 100% del nivel de potencia.
6. **Botón temporizador:** Se utiliza para ajustar la función del temporizador.
7. **Descongelamiento velocidad:** Se utiliza para ajustar la función de descongelación según el tiempo introducido.
8. **Descongelar por peso:** Se utiliza para ajustar la función de descongelación en función del peso.
9. **Cocinar por peso:** Se utiliza para ajustar el tiempo de cocción basado en el peso.
10. **Inicio/parada:** Se utiliza para iniciar o pausar un programa de cocción.
11. **Botón para agregar 30 segundos:** Se utiliza para añadir 30 segundos al tiempo de cocción.
12. **Botón de reinicio:** Se utiliza para borrar todos los ajustes anteriores. Mantenga pulsado este botón durante 3 segundos para configurar la función de bloqueo infantil.

Nota: Una versión española del panel de control no está disponible actualmente.



INSTRUCCIONES DE OPERACIÓN

USO PRIMERO

Cuando el aparato esté enchufado por primera vez, la pantalla mostrará "1:01".

Al configurar el temporizador de cocción, el aparato volverá al modo de espera si no hay entrada en 25 segundos.

Durante la operación:

- Pulse el botón **Inicio/parada** para detener el funcionamiento.
- Presione nuevamente el botón **Inicio/parada** para reanudar el funcionamiento.
- Pulse el botón **Reinicio** para cancelar el programa de cocción.

El aparato emitirá un pitido al final de un programa de cocción y continuará emitiendo un pitido cada 2 minutos hasta que se presione un botón o se abra la puerta.

AJUSTE DEL RELOJ

El reloj se puede configurar como un reloj de 12 horas o un reloj de 24 horas.

Para ajustar la hora actual:

1. Pulse el botón **Reloj** una vez para elegir un reloj de 12 horas. Pulse de nuevo el botón **Reloj** para elegir un reloj de 24 horas.
2. Utilice el teclado numérico para introducir la hora actual.
3. Pulse el botón **Reloj** para confirmar.

Durante el funcionamiento, pulse el botón **Reloj** para ver la hora actual.

FUNCIÓN DEL TEMPORIZADOR

Para configurar la función del temporizador:

1. Presione el botón **Temporizador**, "TIMER" y "ENTER" aparecerán en la pantalla y ":" parpadeará.
2. Utilice el teclado numérico para introducir el tiempo deseado para ejecutar el microondas.
3. Presione el botón **Inicio/parada** para comenzar la operación.

COCCIÓN DE MICROONDAS

Para ajustar la potencia y el tiempo de cocción:

1. Presione repetidamente el botón **Encendido/retención** hasta que se ajuste el nivel de cocción deseado, como se indica en la siguiente tabla. Si se desea una potencia de cocción de 100%, sólo presione el botón Power / Hold una vez.

Presione el botón Encendido/retención	Potencia de cocinar
Una vez	100% (P100)
Dos veces	90% (P-90)
3 veces	80% (P-80)
4 veces	70% (P-70)
5 veces	60% (P-60)
6 veces	50% (P-50)
7 veces	40% (P-40)
8 veces	30% (P-30)
9 veces	20% (P-20)
10 veces	10% (P-10)
11 veces	0% (P-00)

2. Utilice el teclado numérico para introducir el tiempo de cocción deseado.
3. Pulse el botón **Inicio/parada** para iniciar la operación.

AÑADIR 30 SEGUNDOS FUNCIÓN

Cuando el aparato no esté en funcionamiento, al presionar el botón Añadir 30 SEC, el aparato funcionará durante 30 segundos a un nivel de potencia del 100%. Este botón se puede pulsar varias veces, cada vez que se presione, se añadirán otros 30 segundos al tiempo de cocción.

COCINA EXPRESS

Cuando el aparato no esté en funcionamiento, presione el botón numérico de 1 a 6 y el aparato funcionará entre 1 y 6 minutos con una potencia de cocción del 100%.

INSTRUCCIONES DE OPERACIÓN

COCCIÓN AUTOMÁTICA

Los botones **Cocción automática** se pueden utilizar para configurar las funciones de cocción automática para los tipos de alimentos siguientes.

PALOMITAS DE MAIZ

1. Presione el botón **Palomitas de maíz**. Esto automáticamente establecerá el tiempo de cocción para un 3.5 oz. bolsa de palomitas de maíz.
2. Presione el botón **Inicio/parada** para comenzar la operación.

Para cambiar la hora preestablecida:

1. Pulse dos veces el botón **Palomitas de maíz**. "ENTER TIME" aparecerá en la pantalla.
2. Utilice el teclado numérico para introducir el tiempo de cocción deseado. Este nuevo ajuste de tiempo se usará cada vez que se presione el botón **Palomitas de maíz**. Si el aparato pierde energía, esta vez tendrá que reprogramarse.
3. Presione el botón **Inicio/parada** para comenzar la operación.

PATATA

Para un 4 - 6 oz. porción de patatas:

1. Pulse el botón **Patata**.
2. Presione el botón **Inicio/parada** para comenzar la operación.

PIZZA

Para recalentar una rebanada de pizza:

1. Presione el botón **Pizza** una vez.
2. Presione el botón **Inicio/parada** para comenzar la operación.

Para calentar una pizza congelada entera:

1. Presione el botón **Pizza** dos veces.
2. Presione el botón **Inicio/parada** para comenzar la operación.

BEBIDA

Para un 5 - 7 oz. tamaño de la porción:

1. Presione el botón **Bebida**.
2. Utilice el teclado numérico de 1 a 4 para introducir el número de copas.
3. Presione el botón **Inicio/parada** para comenzar la operación.

Para un 9 - 11 oz. tamaño de la porción:

1. Presione el botón **Bebida** dos veces.
2. Utilice el teclado numérico de 1 a 4 para introducir el número de copas.
3. Presione el botón **Inicio/parada** para comenzar la operación.

No sobrecaliente los líquidos. No caliente ningún líquido durante más de 2 minutos por taza. Después de calentar, deje que el líquido se pare en el microondas durante 30 segundos antes de retirarlo del aparato.

CENA CONGELADA

Para uno o dos pequeños 7 - 9 oz. cenas:

1. Presione el botón **Cena congelada**.
2. Utilice el teclado numérico para indicar si se cocinarán 1 o 2 cenas.
3. Presione el botón **Inicio/parada** para comenzar la operación.

Para uno o dos grandes 10 - 12 oz. cenas:

1. Presione el botón **Cena congelada** dos veces.
2. Utilice el teclado numérico para indicar si se cocinarán 1 o 2 cenas.
3. Presione el botón **Inicio/parada** para comenzar la operación.

RECALENTAR

1. Presione el botón **Recalentar**.
2. Presione el botón **Inicio/parada** para comenzar la operación.

INSTRUCCIONES DE OPERACIÓN

COCINAR POR PESO

1. Presione el botón **Cocinar por Peso**.
2. Oprima el número 1, 2 o 3 para indicar qué tipo de carne se cocinará, como se indica en la siguiente tabla. La carne debe descongelarse ya temperatura refrigerada.

Código	Tipo	Peso máximo
1	Carne de vaca	6 libras
2	Carne de cordero	6 libras
3	Cerdo	5 libras 4 onzas

3. Utilice el teclado numérico para introducir el peso de la carne que se cocinará. El peso debe ser en libras y onzas.
4. Presione el botón **Inicio/parada** para confirmar.

Durante el funcionamiento, el aparato hará una pausa y un pitido para indicar que la carne debe ser vuelta. Presione el botón **Inicio/parada** para reanudar el funcionamiento. Deje reposar la carne unos minutos antes de tallar.

DESCONGELAR POR PESO

El tiempo de descongelación y el nivel de potencia se ajustan automáticamente una vez que se introduce el peso.

1. Pulse el botón **Descongelar por peso**.
2. Utilice el teclado numérico para introducir el peso del alimento que se descongelará. El peso debe ser en libras y onzas. El peso máximo es de 6 libras.
3. Presione el botón **Inicio/parada** para confirmar.

Durante el funcionamiento, el aparato hará una pausa y un pitido para indicar que los alimentos deben ser dados vuelta o agitados. Presione el botón **Inicio/parada** para reanudar el funcionamiento.

DESCONGELAMIENTO VELOCIDAD

1. Pulse el botón **Descongelamiento velocidad**.
2. Utilice las teclas numéricas para introducir el tiempo de descongelación deseado.
3. Presione el botón **Inicio/parada** para confirmar.

Durante el funcionamiento, el aparato hará una pausa y un pitido para indicar que los alimentos deben ser dados vuelta o agitados. Presione el botón **Inicio/parada** para reanudar el funcionamiento.

FUNCIÓN MUDO

Mantenga presionado el botón **Inicio/parada** durante 3 segundos para entrar en el modo mudo, lo cual silenciará todo el sonido del aparato.

Mientras esté en el modo mudo, mantenga presionado el botón **Inicio/parada** durante 3 segundos para silenciar el aparato.

CONFIGURACIÓN DEL BLOQUEO PARA NIÑOS

Para configurar el bloqueo de niños, mientras la unidad esté en modo de espera, mantenga presionado el botón de **Reinicio** durante 3 segundos. El aparato emitirá un pitido para indicar que el bloqueo para niños está activado. Mientras está bloqueado, el aparato no puede utilizarse.

Para cancelar el bloqueo de niños, mantenga presionado el botón de **Reinicio** durante 3 segundos. El aparato emitirá un pitido para indicar que el bloqueo para niños ha sido desactivado.

LIMPIEZA

Apague y desenchufe el aparato antes de realizar cualquier limpieza.

El interior del aparato se debe limpiar con un paño húmedo y suave y detergentes suaves. No permita que salpicaduras de alimentos se acumulen en el interior del aparato, ya que esto puede afectar la eficiencia del microondas y, si está lo suficientemente sucio, puede encenderse y provocar un incendio.

El exterior del aparato se debe limpiar con un paño húmedo y caliente. Para evitar daños a los componentes internos, no permita que gotee agua en las aberturas de ventilación.

Limpie la puerta y la ventana de ambos lados, los sellos de la puerta y las partes adyacentes con frecuencia con un paño húmedo para eliminar cualquier derrame o salpicaduras. No utilice limpiadores abrasivos.

No permita que el panel de control se moje. Si es necesario, limpie el panel de control con un paño húmedo y luego séquelo.

La bandeja de cristal se puede quitar y limpiar en agua tibia y detergente suave o se puede colocar en un lavaplatos.

El anillo de rodillos y el piso del horno deben limpiarse regularmente para evitar ruidos o derrames excesivos. El anillo de rodillos se puede limpiar en agua tibia y detergente suave o se puede colocar en un lavavajillas. Asegúrese de que el anillo de rodillos y la bandeja de vidrio se cambien en la posición adecuada para evitar ruidos o derrames.

MANTENIMIENTO

Para eliminar los olores del microondas:

1. Combine una taza de agua con el jugo y la piel de un limón en un tazón microwavable.
2. Cocinar a plena potencia durante 5 minutos.
3. Limpie completamente el interior del aparato y la bandeja de vidrio y el anillo de rodillos con un paño húmedo y caliente.

HOJA DE MICA

Dentro del aparato hay una hoja de mica de cartón que protege el magnetrón. No lo quite del aparato, ya que exponer el magnetrón a las salpicaduras de alimentos puede causar arcos o incendios. Si se ensucia, la hoja de mica se puede limpiar con un paño caliente.

DISPOSICIÓN

Este producto no debe ser tratado como un desecho doméstico ordinario, debe ser transportado al punto de recogida apropiado para el reciclaje de componentes eléctricos. Para obtener información sobre los puntos de recogida de residuos locales, póngase en contacto con la agencia local de eliminación de residuos o con la oficina gubernamental.

SOLUCIÓN SUGERIDA

Danby cuidado del consumidor: 1-800-263-2629

Horas de operación:

Lunes a Jueves 8:30 am - 6:00 pm Hora estándar del este

Viernes 8:30 am - 4:00 pm Hora estándar del este

La información de este manual está sujeta a cambios sin previo aviso.

PROBLEM	POSSIBLE CAUSE
Ninguna energía	<ul style="list-style-type: none">• Se puede quemar un fusible o disparar el disyuntor• El enchufe no está completamente insertado en la toma de corriente
Arco o chispas durante la operación	<ul style="list-style-type: none">• Se dejaron artículos metálicos en el aparato durante el funcionamiento• El aparato está funcionando mientras está vacío• Los alimentos derramados se han acumulado dentro del aparato o en la hoja de mica
Alimentos cocinados de forma pareja	<ul style="list-style-type: none">• La comida no estaba completamente descongelada antes de cocinar• El tiempo de cocción o el nivel de potencia eran insuficientes• La comida no se dio vuelta o se removió durante la cocción
Alimentos sobrecocidos	<ul style="list-style-type: none">• El nivel de potencia o el tiempo de cocción fueron demasiado altos
Alimentos poco cocidos	<ul style="list-style-type: none">• La comida no estaba completamente descongelada antes de cocinar• El tiempo de cocción o el nivel de potencia eran insuficientes• La comida no se dio vuelta o se removió durante la cocción• Las aberturas de ventilación están bloqueadas
Encasa descongelación	<ul style="list-style-type: none">• El tiempo de descongelación o el nivel de potencia eran insuficientes• Los alimentos no se revolvieron o revolvieron durante la descongelación

GARANTÍA LIMITADA "ACARREADO SOLAMENTE"

Este producto de calidad está garantizado contra defectos de fabricación, incluyendo partes y mano de obra, siempre y cuando la unidad se utilice bajo las condiciones normales de funcionamiento para las que fue diseñado.

Esta garantía está solamente disponible para la persona que haya comprado originalmente esta unidad directamente de Danby Products Limited (Canada) o Danby Products Inc. (U.S.A.) (en adelante "Danby") o uno de sus distribuidores autorizados, y no es transferible.

CONDICIONES DE LA GARANTÍA

Las piezas plásticas, se autorizan por treinta (30) días solamente a partir de la fecha de la compra, sin las extensiones proporcionadas.

Primeros 12 meses Durante los primeros **doce (12) meses**, cualquier parte en buen estado de este producto que resulte defectuosa, incluyendo cualquier sistema sellado, será reparado o reemplazado, a opción del fabricante, sin cargo para el comprador original.

Para obtener servicio Póngase en contacto con el distribuidor donde adquirió el electrodoméstico o póngase en contacto con el centro de servicio autorizado más cercano de Danby, donde el servicio debe ser realizado por un técnico cualificado. Si el servicio es realizado por cualquier persona que no sea un depósito de servicio autorizado, todas las obligaciones de Danby bajo esta garantía serán nulas.

Es responsabilidad del comprador transportar el aparato al centro de servicio autorizado más cercano.

Los cargos de transporte desde y hacia el lugar de servicio no están protegidos por esta garantía y son responsabilidad del comprador.

Nada dentro de esta garantía implica que Danby será responsable por cualquier daño que hayan sufrido los alimentos u otros contenidos de este aparato, ya sea debido a un defecto del aparato, o su uso, adecuado o inadecuado.

EXCLUSIONES

Salvo lo aquí indicado por Danby, no existen otras garantías, condiciones o representaciones, explícitas o implícitas, concretas o intencionales por parte de Danby o sus distribuidores autorizados y todas las demás garantías, condiciones o representaciones, incluyendo cualquier garantía, condiciones o representaciones bajo cualquier Acta de Venta de Productos o legislación o estatuto similar, quedan de esta forma expresamente excluidas. **Salvo lo aquí indicado, Danby no serán responsables por ningún daño a personas o bienes, incluyendo la propia unidad, sin importar su causa, o de ningún daño indirecto causado por el desperfecto de la unidad, y al comprar esta unidad, el comprador acepta por la presente, indemnizar y proteger a Danby contra cualquier reclamo por daños a personas o bienes causados por la unidad.**

CONDICIONES GENERALES

No se considerará ninguna de estas garantías o seguros cuando el daño o la necesidad de reparación sea el producto de los siguientes casos:

- 1) Falla del suministro eléctrico.
- 2) Daños en tránsito o durante el transporte de la unidad.
- 3) Alimentación incorrecta, como bajo voltaje, instalación eléctrica defectuosa o fusibles inadecuados.
- 4) Accidente, modificación, abuso o uso incorrecto del artefacto, tal como insuficiente ventilación del ambiente o condiciones de operación anormales (temperatura ambiente extremadamente alta o baja).
- 5) Utilización comercial o industrial (v.g., si el electrodoméstico no está instalado en una vivienda particular).
- 6) Incendio, daños por agua, robo, guerra, disturbios, hostilidades, actos de fuerza mayor como huracanes, inundaciones, etc.
- 7) Pedidos de servicio debido a desinformación del usuario.
- 8) Instalación inadecuada (v.g., instalación de un electrodoméstico independiente o uso de un aparato al aire libre que no esté aprobado para aplicaciones en exteriores, incluyendo pero no limitado a: garajes, patios, porches o cualquier lugar que no esté bien aislado o controlado por el clima).

Se requerirá una prueba de la fecha de compra para reclamaciones de garantía; conservar las facturas de venta. En el caso de que se requiera servicio de garantía, presente el comprobante de compra a nuestro depósito de servicio autorizado.

Servicio de Garantía
Acarreado Solamente

Danby Products Limited
PO Box 1778, Guelph, Ontario, Canada N1H 6Z9
Telephone: (519) 837-0920 FAX: (519) 837-0449

1-800-263-2629
04/17

Danby Products Inc.
PO Box 669, Findlay, Ohio, U.S.A. 45840
Telephone: (419) 425-8627 FAX: (419) 425-8629



MODEL • MODÈLE • MODELO

DMW07A4WDB

DMW07A4BDB

DMW09A2WDB

DMW09A2BDB

DMW09A2BSSDB