



**OWNER'S MANUAL  
GUIDE DU PROPRIÉTAIRE**

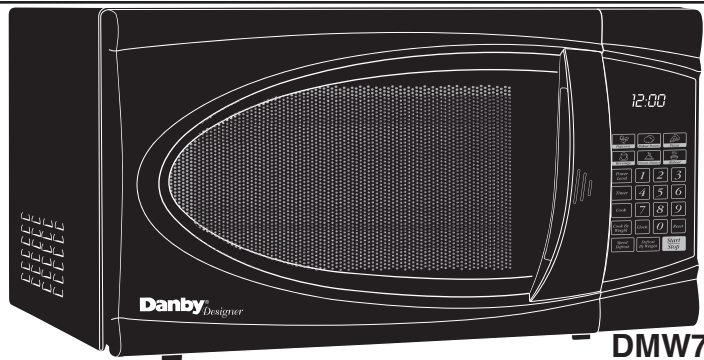
**DMW758BL/W**

**CAUTION:**

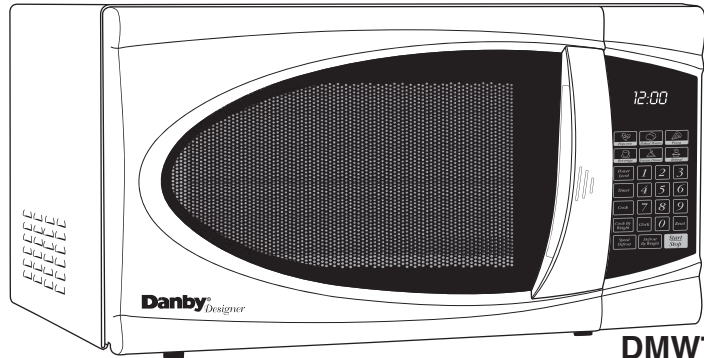
**Read and Follow All Safety Rules and  
Operating Instructions Before First  
Use of This Product.**

**MISE EN GARDE :**

**Lisez et suivez toutes les consignes  
de sécurité et d'utilisation avant la  
première utilisation de ce produit.**



**DMW758BL**



**DMW758W**

## **Microwave Oven**

**Table of Contents ..... 1**

## **Four à micro-ondes**

**Table des matières ..... 1**

# TABLE OF CONTENTS

---

## Important Safety Information

Precautions to Avoid Possible Exposure to Excessive Microwave Energy	3
Safety Precautions	4
Special Notes About Microwaving	6

3

---

## Operating Instructions

Features of Your Microwave	10
The Controls on Your Microwave	11
Menu Cooking Guide	12
Start Cooking	14
Changing the Power Levels	15
Defrost Guide	16
Menu Cooking	17
Other Features	20

10

---

## Helpful Information

Microwave Terms	22
Care and Cleaning	23

22

---

## If Something Goes Wrong

Before You Call For Service	24
-----------------------------	----

24

## WELCOME

Welcome to the Danby family. We're proud of our quality products and we believe in dependable service.

You'll see it in this easy-to-use manual and you'll hear it in the friendly voices of our consumer service department.

Tel: 1-800-26-**Danby**

Best of all, you'll experience these values each time you use your microwave. That's important, because your new microwave will be part of your family for a long time.

## Start Here!...Before using your Microwave

Write down the model and serial numbers here. They are on a label located on the back of the oven.

Model number \_\_\_\_\_

Serial number \_\_\_\_\_

Date purchased \_\_\_\_\_

Staple your receipt to this manual. You will need it to obtain service under warranty.

## NEED HELP?

Before you call for service, there are a few things you can do to help us serve you better...

### **Read this manual**

It contains instructions to help you use and maintain your microwave properly.

### **If you received a damaged oven**

Immediately contact the dealer (or builder) that sold you the oven.

### **Save time and money**

Check the section titled "If Something Goes wrong" before calling. This section helps you solve common problems that might occur. If you do need service, you can relax knowing help is only a phone call away.

Tel: 1-800-26-**Danby**

# IMPORTANT SAFETY INFORMATION

READ ALL SAFETY INFORMATION BEFORE USING

FOR YOUR SAFETY

## PRECAUTIONS TO AVOID POSSIBLE EXPOSURE TO EXCESSIVE MICROWAVE ENERGY

For your safety the information in this manual must be followed to minimize the risk of fire or explosion or to prevent property damage, personal injury or loss of life.

**Do Not Attempt** to operate this oven with the door open since open-door operation can result in harmful exposure to microwave energy. It is important not to defeat or tamper with the safety interlocks.

**Do Not Place** any object between the oven front face and the door or allow soil or cleaner residue to accumulate on sealing surfaces.

**Do Not Operate** the oven if it is damaged. It is particularly important that the oven door close properly and that there is no damage to the:

- 1 door (bent),
- 2 hinges and latches (broken or loosened),
- 3 door seals and sealing surfaces.

**The Oven Should Not** be adjusted or repaired by anyone except properly qualified service personnel.

### FEDERAL COMMUNICATIONS COMMISSION RADIO FREQUENCY INTERFERENCE STATEMENT (U.S.A. ONLY)

This equipment generates and uses ISM frequencies and if not installed and used properly, that is in strict accordance with the manufacturer's instructions, may cause interference to radio and television reception. It has been type-tested and found to comply with limits for ISM Equipment pursuant to Part 18 of FCC Rules, which are designed to provide reasonable protection against such interference in a residential installation.

However, there is no guarantee that interference will not occur in particular installations. If this equipment does cause interference to radio or television reception, which can be determined by turning the equipment off and on, the user is encouraged to try to correct the interference by one or more of the following:

- Reorient the receiving antenna of radio or television.
- Relocate the microwave oven with respect to the receiver.
- Move the microwave oven away from the receiver.
- Plug the microwave into a different outlet so that microwave and receiver are on different branch circuits.

The Manufacturer is not responsible for any radio or TV interference caused by **UNAUTHORIZED MODIFICATION** to this microwave oven. It is the responsibility of the user to correct such interference.

## SAVE THESE INSTRUCTIONS

# IMPORTANT SAFETY INFORMATION

## READ ALL SAFETY INFORMATION BEFORE USING

### WARNING

To reduce the risk of fire, burns, electric shock, injury to persons or exposure of excessive microwave energy when using your appliance, follow basic precautions, including the following sections.

### SAFETY PRECAUTIONS

- Read and follow the specific “Precautions to Avoid Possible Exposure to Excessive Microwave Energy” on page 3.
- This appliance must be grounded. Connect only to a properly grounded outlet. See “Grounding Instructions” section on page 9.
- Do not operate this appliance if it has a damaged power cord or plug, if it is not working properly, or if it has been damaged or dropped.
- Do not cover or block any openings on the appliance.
- Use this appliance only for its intended use as described in this manual. Do not use corrosive chemicals or vapors in this appliance.
- This microwave oven is specifically designed to heat, dry or cook food, and is not intended for laboratory or industrial use.
- Some products such as whole eggs and sealed containers – for example, closed glass jars- may explode and should not be heated in this oven.
- Do not store this appliance outdoors.

# IMPORTANT SAFETY INFORMATION

## SAFETY PRECAUTIONS (Cont'd)

- Do not use this product near water-for example, in a wet basement, near a swimming pool or near a sink.
  - Keep power cord away from heated surfaces.
  - Do not immerse power cord or plug in water.
  - See door surface cleaning instructions in the Care and Cleaning section(s) of this manual.
  - This appliance should be serviced only by qualified service personnel. Contact nearest authorized service facility for examination, repair or adjustment.
  - As with any appliance, close supervision is necessary when used by children.
- To reduce the risk of fire in the oven cavity:**
- Do not overcook food.
  - Carefully attend appliance if paper, plastic or other combustible materials are placed inside the oven while cooking.
  - Remove wire twist-ties and metal handles from paper or plastic containers before placing them in the oven.
  - Do not use the oven for storage purposes. Do not leave paper products, cooking utensils or food in the oven when not in use.
  - Do not use the microwave to dry newspapers.
- If materials inside oven should ignite, keep the oven door closed, turn the oven off and disconnect the power at the fuse or circuit breaker panel. If the door is opened, the fire may spread.

# IMPORTANT SAFETY INFORMATION

## SPECIAL NOTES ABOUT MICROWAVING

### ARCING

If you see arcing, press the **“STOP/Clear”** button and correct the problem.

Arcing is the microwave term for sparks in the oven. Arcing is caused by:

- Metal or foil touching the side of the oven.
- Foil not molded to food (upturned edges act like antennas).
- Metal, such as twist-ties, poultry pins, or gold-rimmed dishes, in the microwave.
- Recycled paper towels containing small metal pieces being used in the microwave.

### FOODS

- Only cook popcorn in your microwave oven using a special microwave popcorn accessory dish, unless you use popcorn labeled for use in microwave ovens.
- Some products- such as whole eggs (with shell), sealed containers, and closed jars - will explode and should not be heated in this microwave oven. Heating these products in the microwave oven could result in injury.
- Do not boil eggs in a microwave oven. Pressure will build up inside egg yolk and will cause it to burst, possibly resulting in injury.
- Operating the microwave with no food inside for more than a minute or two may cause damage to the oven and could start a fire. It increases the heat around the magnetron and can shorten the life of the oven.
- Foods with unbroken outer “skin” such as potatoes, hot dogs, sausages, tomatoes, apples, chicken livers and other giblets, and egg yolks should be pierced to allow steam to escape before cooking.

# IMPORTANT SAFETY INFORMATION

## SAFETY FACT

### SUPERHEATED WATER

Microwaved water and other liquids do not always bubble when they reach the boiling point. They can actually get superheated and not bubble at all. Superheated liquid can bubble up when it is moved or when something like a spoon or tea bag is put into it. To prevent this from happening and causing injury, do not heat any liquid for more than 2 minutes per cup. After heating, let the cup stand in the microwave for 30 seconds before moving it or putting anything into it.

- Avoid heating baby food in glass jars, even with the lid off. Make sure all infant food is thoroughly cooked. Stir food to distribute the heat evenly. Be careful to prevent scalding when warming formula. The container may feel cooler than the milk really is.  
**Always test the milk before feeding the baby.**
- Spontaneous boiling-Under certain circumstances, liquids may start to boil during or shortly after removal from the microwave oven. To prevent burns from splashing liquid, we recommend the following: before removing the container from the oven, allow the container to stand in the oven for 30 to 40 seconds after the oven has shut off. Do not boil liquids in narrow-necked containers such as soft drink bottles, wine flasks and especially narrow-necked coffee cups. Even if the container is opened, excessive steam can build up and cause it to burst or overflow.
- Don't defrost frozen beverages in narrow-necked bottles (especially carbonated beverages). Even if the container is opened, pressure can build up. This can cause the container to burst, possibly resulting in injury.
- Hot foods and steam can cause burns. Be careful when opening any containers of hot food, including popcorn bags, cooking pouches and boxes. To prevent possible injury, direct steam away from hands and face.
- Do not overcook potatoes. They could dehydrate and catch fire, causing damage to your oven.
- Cook meat and poultry thoroughly-meat to at least an INTERNAL temperature of 160 F (71.1C). and poultry to at least an INTERNAL temperature of 180 F (82.2C). Cooking to these temperatures usually protects against food borne illness.



# IMPORTANT SAFETY INFORMATION

## SPECIAL NOTES ABOUT MICROWAVING

### MICROWAVE-SAFE COOKWARE

Make sure all cookware used in your microwave oven is suitable for microwaving. Most glass casseroles, cooking dishes, measuring cups, custard cups, pottery or china dinnerware which do not have metallic trim or glaze with a metallic sheen can be used. Some cookware is labeled "suitable for microwaving."

- If you use a meat thermometer while cooking, make sure it is safe for use in microwave ovens.
- Do not use recycled paper products. Recycled paper towels, napkins and waxed paper can contain metal flecks which may cause arcing or ignite. Paper products containing nylon or nylon filament should be avoided, as they may also ignite.
- Not all plastic wrap is suitable for use in microwave ovens. Check the package for proper use.

- Some styrofoam trays (like those that meat is packaged on) have a thin strip of metal embedded in the bottom. When microwaved, the metal can burn the floor of the oven or ignite a paper towel.
- Cookware may become hot because of heat transferred from the heated food. Pot holders may be needed to handle the cookware.
- "Boilable" cooking pouches and tightly closed plastic bags should be slit, pierced or vented as directed by package. If they are not, plastic could burst during or immediately after cooking, possibly resulting in injury. Also, plastic storage containers should be at least partially uncovered because they form a tight seal. When cooking with containers tightly covered with plastic wrap, remove covering carefully and direct steam away from hands and face.

- Paper towels, waxed paper and plastic wrap can be used to cover dishes in order to retain moisture and prevent spattering. Be sure to vent plastic wrap so steam can escape.

#### **How to test for a microwave-safe dish:**

- 1 Place in the oven both the dish you are testing and a glass measuring cup filled with 1 cup of water
- 2 Set the measuring cup either in or next to the dish.
- 3 Microwave 1 minute at high.

If the dish heats, it should not be used for microwaving. If the dish remains cool and only the water in the cup heats, then the dish is microwave-safe.

# IMPORTANT SAFETY INFORMATION

## MICROWAVE-SAFE COOKWARE (CONT'D)

- Use foil only as directed in this manual. TV dinners may be microwaved in foil trays less than 3/4" high; remove the top foil cover and return the tray to the box. When using foil in the microwave oven, keep the foil at least 1 inch away from the sides of the oven.

- Plastic cookware designed for microwave cooking is very useful, but should be used carefully. Even microwave-safe plastic may not be as tolerant of overcooking conditions as are glass or ceramic materials and may soften or char if subjected to short periods of overcooking. In longer exposures to overcooking, the food and cookware could ignite.

Follow these guidelines:

- 1 Use microwave-safe plastics only and use them in strict compliance with the cookware manufacturer's recommendations.
- 2 **Do not** microwave empty containers.
- 3 **Do not** permit children to use plastic cookware without complete supervision.

## GROUNDING INSTRUCTIONS

### WARNING

**Improper use of the grounding plug can result in a risk of electric shock.**

This appliance must be grounded. In the event of an electrical short circuit, grounding reduces the risk of electric shock by providing an escape wire for the electric current.

This appliance is equipped with a power cord having a grounding wire with a grounding plug. The plug must be

plugged into an outlet that is properly installed and grounded.

Consult a qualified electrician or service technician if the grounding instructions are not completely understood, or if doubt exists as to whether the appliance is properly grounded.

If the outlet is a standard 2-prong wall outlet, it is your personal responsibility and obligation to have it replaced with a properly grounded 3-prong wall outlet.

**Do not** under any circumstances cut or remove the third (ground) prong from the power cord.

**Do not** use an adapter plug with this appliance.

**Do not** use an extension cord with this appliance. If the power cord is too short, have a qualified electrician or service technician install an outlet near the appliance.

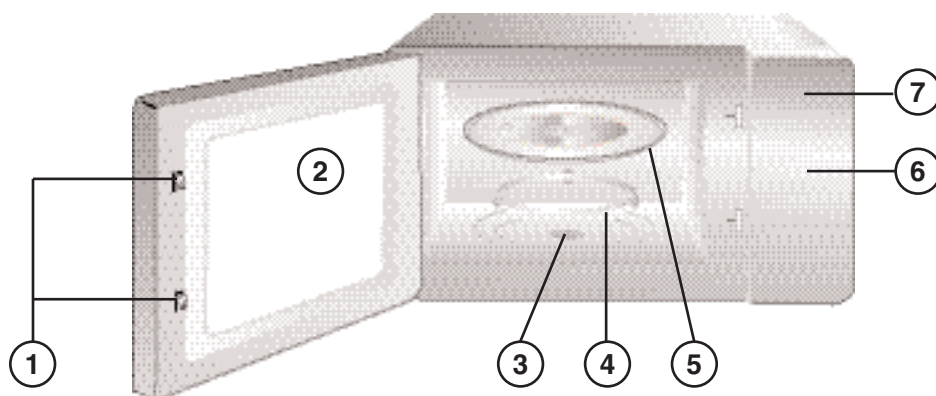
For best operation, plug this appliance into its own electrical outlet to prevent flickering of lights, blowing of fuse or tripping of circuit breaker.

# Operating Instructions

## Features of Your Microwave

(Throughout this manual, features and appearance may vary from your model.)

### FEATURES



**1 Door Safety Lock System.**

**2 Oven Window.**

Screen allows cooking to be viewed while keeping microwave energy confined in the oven.

**3 Turntable Shaft.**

**4 Roller Ring.**

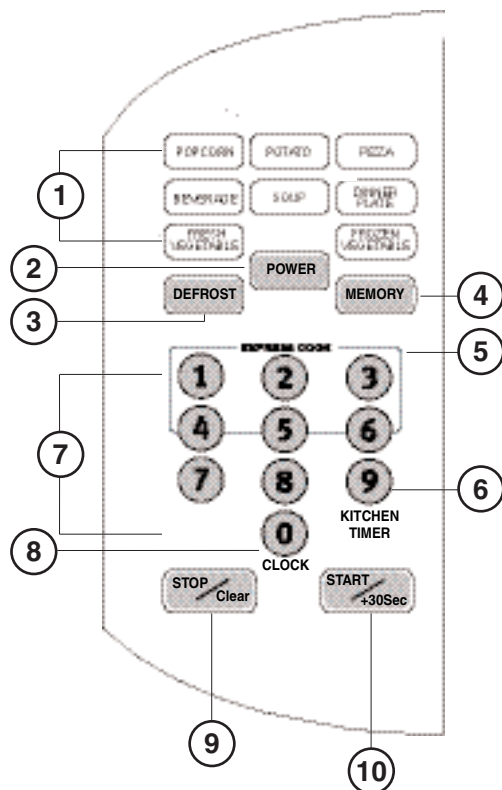
**5 Removable Glass Turntable.**

Turntable and support must be in place when using the oven. The turntable may be removed for cleaning.

**6 Control Panel**  
(see page 11)

**7 Electronic Display.**

# The Controls on Your Microwave Oven



1. **Menu Cooking** : Potato, Beverage, Soup, Popcorn, Dinner Plate, Pizza, Fresh Vegetables, Frozen Vegetables. (See “Menu Cooking” on pgs 17 to 19)
2. **POWER** : Used to set the power level.
3. **DEFROST (by Weight or Time)** : Touch to defrost food by weight or by time. The oven automatically sets the defrosting time (in *By Weight* setting) and power level.
4. **MEMORY** : Set pre-programmed cooking times and power levels.
5. **EXPRESS COOKING** :
6. **KITCHEN TIMER**
7. **Number Pad** : Set times and weights.
8. **Clock** : Sets/Displays the current time.
9. **STOP/Clear**: Clears/stops previous program or setting.
10. **START/+30Sec.** : Starts, resumes or adds +30 Seconds to programs.

# Menu Cooking Guide

Touch	Program Information	Start
<b>POPCORN</b> Once Twice 3 times	<b>1.75 oz / 50 grams - 2 min. 40 sec.</b> <b>3.0 oz. / 85 grams - 3 min. 15 sec.</b> <b>3.5 oz. / 100 grams - 3 min. 25 sec.</b>	Touch <b>START/+30Sec</b>
<b>POTATO</b> Once Twice 3 times	<b>1 Potato - 7 min. 30 sec.</b> <b>2 Potatoes - 11 min. 00 sec.</b> <b>3 Potatoes - 15 min. 00 sec.</b> * <b>Approx. weight of 1 potato = 8.3 oz. (230 grams)</b>	Touch <b>START/+30Sec</b>
<b>PIZZA</b> Once Twice 3 times	<b>1 Slice - 40 sec.</b> <b>2 Slice - 1 min. 20 sec.</b> <b>3 Slice - 2 min.</b> * <b>Approx. weight of 1 slice = 3 oz. (85 grams)</b>	Touch <b>START/+30Sec</b>
<b>BEVERAGE</b> Once Twice 3 times	<b>1 Beverage - 1 min. 50 sec.</b> <b>2 Beverages - 3 min. 10 sec.</b> <b>3 Beverages - 4 min. 20 sec.</b> * <b>Aprox. volume of 1 beverage = 8.5 oz. (250ml)</b>	Touch <b>START/+30Sec</b>
<b>SOUP</b> Once Twice 3 times 4 times	<b>4.0 oz. (118 ml) - 1 min. 30 sec.</b> <b>8.0 oz. (236 ml) - 2 min. 50 sec.</b> <b>12.0 oz. (356 ml) - 4 min. 10 sec.</b> <b>16.0 oz (472 ml) - 5 min. 30 sec.</b>	Touch <b>START/+30Sec</b>

## Menu Cooking Guide (Cont'd)

Press	Program Information	Start
<b>DINNER PLATE</b> Once Twice 3 times	<b>9.0 oz / 255 grams - 3 min.</b> <b>12.0 oz. / 340 grams - 4 min.</b> <b>18.0 oz. / 510 grams - 6 min. 20 sec.</b>	Touch <b>START/+30Sec</b>
<b>FRESH VEGETABLE</b> Once Twice 3 times	<b>4.0 oz./ 113.4 grams - 3 min.</b> <b>8.0 oz./ 227 grams - 4 min. 10 sec.</b> <b>16.0 oz./ 454 grams - 6 min. 40 sec.</b>	Touch <b>START/+30Sec</b>
<b>FROZEN VEGETABLE</b> Once Twice 3 times	<b>4.0 oz./ 113.4 grams - 4 min. 10 sec.</b> <b>8.0 oz./ 227 grams - 6 min. 40 sec.</b> <b>16.0 oz./ 454 grams - 11 min. 30 sec.</b>	Touch <b>START/+30Sec</b>

# Operating Instructions

## Start Cooking

### IMPORTANT

You can pause or cancel a cooking operation at any time by touching “**STOP/Clear**” or opening the microwave door.

**To Pause:** Touch “**STOP/Clear**” until a single beep is heard, or microwave countdown stops.

**To Cancel:** Touch “**STOP/Clear**” twice (two beeps should be heard), or until the clock returns to the display (“**0:00**” if the clock is not set).

## Quick Cooking

1. Touch “**START/+30Sec.**” pad for 30 seconds of cooking. Microwave instantly begins cooking.

If the cooking time is an interval of 30 seconds (e.g. 1 min., or 1 min. and 30 sec., 2 min., etc.) you can instantly start to cook using this method. See also “**If more cooking time is needed...**” below. If the recipe requires a lowered cooking power level, or the recommended cooking time is not an interval of 30 seconds, see One and Two-Stage Cooking below.

## One and Two-Stage Cooking

This method is ideal for recipes that require a reduced cooking power level, or meals with special cooking times (i.e., not in intervals of 30 seconds as in “Quick Cooking”).

- 1 Touch the “**POWER**” pad. **PL10** appears on the display.
- 2 Each additional touch of the “**POWER**” pad will reduce the power by 10%. For more information on power levels, see section ‘**Power Levels**’. To use default power simply move on to step 3.
- 3 Enter the cooking time by touching the corresponding numbers on the number pad (e.g. touch “**1**”, “**1**” and “**5**” for 1 minute and 15 seconds (“**1:15**” on the display)).
- 4 For Two-Stage Cooking, repeat steps 1 to 3 and then continue to step 5.
- 5 Touch the “**START/+30Sec.**” pad. Cooking time will begin to countdown until it reaches zero (“**:00**” on the display). The oven will then resume showing the time (if set) and sound five beeps.

### If more cooking time is needed...

At any time and for any operation, even while the oven is cooking, touching the “**START/+30Sec.**” pad adds 30 more seconds of cooking time each time the pad is pressed.

**Note:** The added cooking time will use the same power level that is currently being used by the microwave. For example, if the Power Level is currently set to 50% (“**PL5**” on the display), then the added cooking time will use a Power Level of 50%.

# Operating Instructions

## Changing the Power Levels

### SINGLE STAGE Cooking:

1. Touch "POWER".
2. Continue to touch "POWER" to lower the power level until the desired power level is displayed (see table below).
3. Enter cooking time.
4. Touch "START/+30Sec."

### MULTI-STAGE Cooking:

1. Repeat above steps 1-3 for up to 2 separate cooking stages.
2. Touch "START/+30Sec."

# of Touches	Display / % Power
1	PL10 - 100%
2	PL9 - 90%
3	PL8 - 80%
4	PL7 - 70%
5	PL6 - 60%
6	PL5 - 50%
7	PL4 - 40%
8	PL3 - 30%
9	PL2 - 20%
10	PL1 - 10%

## How to Change the Power Level

The power level is lowered from the default 100% (PL10) by touching "POWER".

Variable power levels add microwave flexibility to microwave cooking. The power level on the microwave oven can be compared to the surface units on a range. The power level of **PL10** is 100% (or full) power, and this is the fastest way to cook. Each power level gives you microwave energy a certain percent of the time. **PL7** (power level 7) is microwave energy 70% of the time. Power level 3 is energy 30% of the time. At the default setting (High) food will cook faster but it may need more frequent stirring, rotating or turning over. Most cooking will be done on default (High/**PL10**). A lower setting will cook more evenly and need less stirring or rotating of the food. Some foods may have better flavor, texture or appearance if one of the lower settings is used. Use a lower power level when cooking foods that have a tendency to boil over, such as scalloped potatoes. Rest periods (when the microwave energy cycles off) give time for the food to "equalize" or transfer heat to the inside of the food. An example of this is shown with power level 3-the defrost cycle. If microwave energy did not cycle off, the outside of the food would cook before the inside was defrosted.

Here are some examples of uses for various power levels:

Power Level	Best Uses
<b>Default (100%) (PL10)</b>	Fish, bacon, vegetables, boiling liquids.
<b>Med-High 7-9 (70-90%)</b>	Gentle cooking of meat and poultry; baking casseroles and reheating.
<b>Medium 5-6 (50-60%)</b>	Slow cooking and tenderizing such as stews and less tender cuts of meat.
<b>Low 3-4 (30-40%)</b>	Defrosting without cooking; simmering; delicate sauces.
<b>Warm 1-2 (10-20%)</b>	Keeping food warm without overcooking; softening butter.



# Operating Instructions

## Defrost Guide

### DEFROST (By Weight)

- 1 Touch the “**DEFROST**” pad. “**dEF1**” appears on the display.
- 2 Enter weight in ounces using the number pad.
- 3 Press “**START/+30Sec.**”.

- The defrost time is determined by the weight of the food.
- The weight to be defrosted must be entered in ounces.

**NOTE:** The defrost by weight (**dEF1**) program uses ounces only, and has a range of 4 up to 100 ounces (113 to 2,835 grams).

### Conversion Guide

If the weight of food is shown only in pounds, the pounds must be converted to ounces.

Food (lb)	oz
Under.03	0
.03 to .09	1
.10 to .15	2
.16 to .21	3
.22 to .27	4
.28 to .34	5
.35 to .40	6
.41 to .46	7
.47 to .53	8
.54 to .59	9
.60 to .65	10
.66 to .71	11
.72 to .77	12
.78 to .83	13
.84 to .90	14
.91 to .97	15
.98 to 1.0	16

### Defrosting Tips

- Foods frozen in paper or plastic can be defrosted in the package. Tightly closed packages should be slit, pierced or vented. AFTER food has partially been defrosted. Plastic storage containers should be at least partially uncovered.
- Family-size, prepackaged frozen dinners can be defrosted and microwaved. If the food is in a foil container, transfer it to a microwave-safe dish.
- Foods that spoil easily, such as milk, eggs, fish, stuffings, poultry and pork, should not be allowed to sit out for more than one hour after defrosting. Room temperature promotes the growth of harmful bacteria.
- When defrosted, food should be cool and softened in all areas. If still slightly icy, return to the microwave very briefly, or let it stand a few minutes.

### DEFROST (By Time)

- 1 Touch “**DEFROST**” pad twice. “**dEF2**” appears on the display.
- 2 Enter defrosting time using the Number pad.
- 3 Touch “**START/+30Sec.**”.

- Allows you to defrost for the length of time you select.
- Depending on the time entered, during the defrost program the oven may stop and beep 3 times. At this time, turn the food over and break apart or rearrange pieces for more even defrosting.

Touch “**START/+30Sec.**” to resume the program.

**NOTE:** During DEFROST BY TIME (**dEF2**) and DEFROST BY WEIGHT (**dEF1**) a dull thumping noise may be heard during defrosting. This sound is normal when the oven is not operating at High power.

# Operating Instructions

## MENU COOKING

Allows you to cook or reheat food automatically without entering a time or selecting a power level. In addition to selecting the amount of servings, some MENU COOKING programs give you the option of specifying between two portion sizes.

### POTATO

See “Menu Cooking Guide” on pgs. 12-13).

**1** Touch “**POTATO**” once, twice or three times to cook one, two or three potatoes respectively.

**2** Touch “**START+30Sec.**”.

### BEVERAGE

See “Menu Cooking Guide” on pgs. 12-13).

**1** Touch “**BEVERAGE**” once, twice or three times for one, two or three beverages respectively.

**2** Touch “**START/+30Sec.**”.

### WARNING

Drinks and soups heated with the Beverage or Soup feature may be very hot. Remove the container with care.

### SOUP

See “Menu Cooking Guide” on pgs. 12-13).

**1** Touch “**SOUP**” once, twice, three or four times for 4.0 oz/118ml, 8.0oz/236ml, 12.0oz/356ml or 16.0oz/472ml of soup respectively.

**2** Touch “**START/+30Sec.**”.

## MENU COOKING (Cont'd)

---

### POPCORN

Follow package instructions using Timer cooking (see pg. 14) if the package is less than 1.75 ounces, or larger than 3.5 ounces. Place the package of popcorn on the center of the turntable.

**1** Touch "**POPCORN**" once, twice or three times for a 1.75 oz/50gram bag, 3.0 oz/85gram bag, or a 3.5 oz/100 gram bag respectively.

**2** Touch "**START/+30Sec.**".

#### WARNING

1. Never leave the microwave oven unattended during the cooking of popcorn.
2. Light Popcorn does not contain as much cooking ingredients (oil, butter, etc) as Regular type popcorn, so cooking time will be substantially reduced.
3. When the popping action slows down or stops, stop the microwave oven immediately, otherwise the popcorn will overcook, burn and possibly catch on fire.

### DINNER PLATE

Follow package instructions using Timer cooking (see pg. 14) if the package is less than 9 oz or larger than 18 oz.

**1** Touch "**DINNER PLATE**" once, twice or three times for 9 oz/255gram, 12 oz/340 gram or 18 oz/510 gram dinner plates.

**2** Touch "**START/+30Sec.**".

## MENU COOKING (Cont'd)

---

### FRESH VEGETABLE

Follow package instructions using Timer cooking (see pg. 14) if the amount of vegetables to be cooked is less than 4 oz/113 grams or more than 16 oz/454 grams.

**1** Touch "**FRESH VEGETABLE**" once, twice or three times for 4 oz/113 grams, 8 oz/227 grams or 16 oz/454 grams of vegetables, respectively.

**2** Touch "**START/+30Sec.**".

### PIZZA

See "Menu Cooking Guide" on pgs. 12-13).

\* Approx. weight of 1 slice = 3 oz. (85 grams)

**1** Touch "**PIZZA**" once, twice or three times to cook one, two or three slices\* of pizza respectively.

**2** Touch "**START/+30Sec.**".

### FROZEN VEGETABLE

Follow package instructions using Timer cooking (see pg. 14) if the package is less than 4 ounces/113 grams or larger than 16 ounces (454 grams).

**1** Touch "**FROZEN VEGETABLE**" once, twice or three times for 4 oz/113 grams, 8 oz/227 grams or 16 oz/454 grams of frozen vegetables, respectively.

**2** Touch "**START/+30Sec.**".

# Operating Instructions

## Other Features

### CLOCK

- 1 Touch "**0 /CLOCK**" once to set the 12 hour clock.
- 2 Enter time of day using the number pad. For example, 9:12 is "**0**", "**9**", "**1**" and "**2**" in turn.
- 3 Touch "**START/+30Sec.**" to confirm.

Pressing the **CLOCK** button while a program is running will temporarily display the current time.

**NOTE:** When the oven is first plugged in "**0:00**" will be shown in the LED display, prompting you to set the clock.

### KITCHEN TIMER

- 1 Touch "**9 /KITCHEN TIMER**".
- 2 Enter countdown time on the number pad.
- 3 Touch "**START/+30Sec.**".

The KITCHEN TIMER can be used as a timer for your convenience. To set the KITCHEN TIMER:

1. Touch the "**9 /KITCHEN TIMER**" number pad. "**00:00**" appears on the display.
2. Enter the desired countdown length using the number pad. Enter the time length by selecting minutes first and then seconds. For example, 5 minutes and 15 seconds would be entered "**0**", "**5**", "**1**" and then "**5**" in turn ("**05:15**" on the display).
3. Touch the "**Start/+30Sec.**" pad. The timer time will begin to countdown until it reaches zero ("**0:00**" on the display). The oven will then resume showing the time (if set) and sound five beeps.

#### To Cancel the KITCHEN TIMER:

1. Touch "**Stop/Clear**". The display will resume showing the clock (if set).

**NOTE:** The KITCHEN TIMER program can not be used in conjunction with, or during the process of, any other programs.

# Operating Instructions

## “START/+30Sec.”

### If more cooking time is needed...

At any time and for any operation, even while the oven is cooking, touching the “**START/+30Sec.**” pad adds 30 more seconds of cooking time each time the pad is pressed.

**Note:** The added cooking time will use the same power level that is currently being used by the microwave. For example, if the Power Level is currently set to 50% (“**PL5**” on the display), then the added cooking time will use a Power Level of 50%.

## “STOP/Clear”

Clears any previous setting if the program has not started, and pauses the program if it has started. Once a program is complete, pressing the “**STOP/Clear**” button will stop the “reminder” tone.

This button is also used to (de)activate the Child Lock see *below*.

## CHILD LOCK

You may lock the control panel to prevent the microwave from being accidentally started or used by children.

### To lock or unlock the controls:

1. Touch and hold the “**STOP/Clear**” pad for about 3 seconds.
2. A long beep is heard and “**[ ]**” appears on the display (or is replaced by the clock (if set) when unlocked).

# Operating Instructions

## MEMORY

### SAVING ONE OR TWO-STAGE PROGRAMS

- 1 Touch **"MEMORY"**.
- 2 Touch **"POWER"** and set the desired Power Level.
- 3 Enter time using number pad.
- 4 If finished, touch **"MEMORY"** to save the program; for two stages, repeat steps 2 to 3 and then touch **"MEMORY"**.

### SAVING ONE OR TWO-STAGE DEFROSTING PROGRAMS

- 1 Touch **"MEMORY"**.
- 2 Touch **"DEFROST"** once for Defrost by Weight, twice for Defrost by Time.
- 3 Enter the defrosting weight or time using the number pad.
- 4 If finished, touch **"MEMORY"** to save the program. For two stages, repeat steps 2 to 3 in **SAVING ONE OR TWO-STAGE PROGRAMS** above, and then touch **"MEMORY"**.

The **MEMORY** program is useful for saving and storing the cooking requirements of your favorite meals that are not already programmed into the microwave, so you can recall them at the push of a button. You can save up to two programs by pressing **"MEMORY"**: press once for the first saved program, or twice for the second. To activate a selected **MEMORY** program, touch **"START/+30Sec."**.

#### Saving a one or two-stage cooking program:

- 1 Touch **"MEMORY"**. "1" appears on the display (to save another program, press **"MEMORY"** again (twice total) and "2" appears on the display).
- 2 Touch **"POWER"** and reduce the Power Level (if required) to the desired strength, or simply continue to step 3 to use the default (100%) power setting.
- 3 Enter the cooking time length using the number pad.
- 4 If a second cooking stage is required, repeat steps 2 to 3 and then continue to step 5; if only one stage is required, continue to step 5.
- 5 Touch **"MEMORY"** to save the program.

#### Saving a one or two-stage defrosting program:

- 1 Touch **"MEMORY"**. "1" appears on the display (to save another program, touch **"MEMORY"** again (twice total) and "2" appears on the display).
- 2 Touch **"DEFROST"** once for Defrost by Weight or twice for Defrost by Time (**dEF1** and **dEF2**, respectively).
- 3 If you've chosen Defrost by Weight (**dEF1**), enter the weight (in ounces) using the number pad; if you've chosen Defrost by Time (**dEF2**), enter the time using the number pad. If nothing more is required, move on to step 6; however, if another stage is required continue to step 4.
- 4 Touch **"POWER"** and reduce the Power Level (if required) to the desired strength, or simply continue to step 5 to use the default (100%) power setting.
- 5 Enter the cooking time length using the number pad.
- 6 Touch **"MEMORY"** to save the program.

# Helpful Information

## Microwave Terms

<u>Term</u>	<u>Definition</u>
Arcing	Arcing is the microwave term for sparks in the oven. Arcing is caused by : <ul style="list-style-type: none"><li>• Metal or foil touching the side of the oven.</li><li>• Foil that is not molded to food (upturned edges act like antennas).</li><li>• Metal such as twist ties, poultry pins, gold-rimmed dishes.</li><li>• Recycled paper towels containing small metal pieces.</li></ul>
Covering	Covers hold in moisture, allow for more even heating and reduce cooking time. Venting plastic wrap or covering with wax paper allows excess steam to escape.
Shielding	In a regular oven, you shield chicken breasts or baked foods to prevent over-browning. When microwaving, you use small strips of foil to shield thin parts, such as the tips of wings and legs on poultry, which would cook before larger parts.
Standing Time	When you cook with regular ovens, foods such as roasts or cakes are allowed to stand to finish cooking or to set. Standing time is especially important in microwave cooking. Note that a microwaved cake is not placed on a cooling rack.
Venting	After covering a dish with plastic wrap, you vent the plastic wrap by turning back one corner so excess steam can escape.



# Care and Cleaning

## Helpful Hints

Open the over door a few minutes after cooking to air out the inside. An occasional thorough wiping with a solution of baking soda and water keeps the inside fresh.

**NOTE:** Be certain the power is off before cleaning any part of this oven.

## How to clean the inside

### **Walls, Floor, Inside Window, Metal and Plastic Parts on the Door**

Some spatters can be removed with a paper towel, others may require a damp cloth. Remove greasy spatters with a sudsy cloth, then rinse with a damp cloth. Do not use abrasive cleaners or sharp utensils on oven walls. Never use a commercial over cleaner on any part of your microwave.

### **Removable Turntable and Turntable Support**

To prevent breakage, do not place the turntable into water just after cooking. Wash it carefully in warm, sudsy water or in the dishwasher. The turntable and support can be broken if dropped. Remember, do not operate the oven without the turntable and support in place .

## How to Clean the outside

**Do not use cleaners containing ammonia or alcohol on the microwave oven. Ammonia or alcohol can damage the appearance of the microwave.**

### **Outer Case**

Clean the outside of the microwave with a sudsy cloth. Rinse and then dry. Wipe the window clean with a damp cloth.

### **Control Panel and Door**




Wipe with a damp cloth. Dry thoroughly. Do not use cleaning sprays, large amounts of soap and water, abrasive or sharp objects on the panel—they can damage it. Some paper towels can also scratch the control panel.

### **Door surface**

It's important to keep the area clean where the door seals against the microwave. Use only mild, non-abrasive detergents applied with a clean sponge or soft cloth. Rinse well.

## If Something Goes Wrong

### Before You Call For Service

Problem	Possible Cause	What to do
<b>Oven will not start.</b>	A fuse in your home may be blown or the circuit breaker tripped.	Replace fuse or reset circuit breaker.
	Microwave door is not closed.	Ensure that the door is securely closed correctly
	Power surge.	Unplug the microwave oven, then plug it back in.
	Plug not fully inserted into wall outlet.	Make sure the 3-prong plug on the oven is fully inserted into wall outlet.
<b>“   ” appears on display.</b>	The control has been locked.	Press and hold <b>“STOP/Clear”</b> for about 3 seconds to unlock the control.

### Things That Are Normal

- Steam or vapor escaping from around the door.
- Light reflection around door or outer case.
- Dimming oven light and change in the blower sound at power levels other than high.
- Dull thumping sound while oven is operating.
- TV-radio interference might be noticed while using the microwave. Similar to the interference caused by other small appliances, it does not indicate a problem with the microwave. Plug the microwave into a different electrical circuit, move the radio or TV as far away from the microwave as possible, or check the position and signal of the TV/radio antenna.

If none of the above rectify the situation please contact our customer care department at 1-800-26- **Danby** (1-800-263-2629)

# TABLE DES MATIÈRES

## Renseignements importants sur la sécurité

Précautions à prendre afin d'éviter une exposition excessive à l'énergie micro-onde	3
Consignes de sécurité	4
Remarques particulières concernant la cuisson micro-onde	6

3

## Consignes d'utilisation

Caractéristiques de votre four à micro-ondes	10
Commandes de votre four à micro-ondes	11
Guide des programmes de cuisson	12
Commencez la Cuisson	14
Modification de la puissance de cuisson	15
Guide de décongélation	16
Programmes de cuisson	17
Autres caractéristiques	20

10

## Renseignements utiles

Terminologie des micro-ondes	22
Entretien et nettoyage	23

22

## Si quelque chose fonctionne mal

Avant de placer un appel de service	24
-------------------------------------	----

24

## BIENVENUE

Bienvenue dans la famille de produits Danby. Nous sommes fiers de nos produits de qualité et nous croyons en un service fiable.

Vous le constaterez à ce guide pratique et au ton amical de notre personnel du service à la clientèle.

Tél. : 1-800-26-**Danby**

Mieux encore, vous constaterez la qualité de nos produits et leur fiabilité à chaque utilisation de votre four à micro-ondes. C'est important : votre nouveau four à micro-ondes fera longtemps partie de votre famille.

## Commencez par ici! ... Avant d'utiliser votre four à micro-ondes

Inscrivez les numéros de modèle et de série ici. Ils se trouvent sur une étiquette à l'arrière du four.

Brochez votre coupon de caisse à l'endos de ce guide. Il sera nécessaire pour votre garantie.

Numéro de modèle \_\_\_\_\_  
Numéro de série \_\_\_\_\_  
Date d'achat \_\_\_\_\_

## BESOIN D'AIDE?

Avant de téléphoner pour une réparation, voici quelques petites choses que vous pouvez faire afin que nous puissions mieux vous servir...

### **Lisez ce guide**

Il contient des instructions qui vous aideront à utiliser et entretenir correctement votre four à micro-ondes.

### **Si vous avez reçu un four à micro-ondes endommagé**

Contactez immédiatement le détaillant (ou le fabricant) qui vous a vendu le four.

### **Économisez temps et argent**

Consultez la section « Si quelque chose fonctionne mal » avant de téléphoner. Cette section vous aidera à résoudre les problèmes courants éventuels. Si vous avez besoin de notre aide, vous pouvez être assuré que nous serons au bout du fil. Tél. : 1-800-26-**Danby**

# CONSIGNES DE SÉCURITÉ IMPORTANTES

LISEZ TOUTES LES CONSIGNES DE SÉCURITÉ AVANT L'UTILISATION

## POUR VOTRE SÉCURITÉ

### PRÉCAUTIONS À PRENDRE AFIN D'ÉVITER UNE EXPOSITION EXCESSIVE À L'ÉNERGIE MICRO-ONDE

Afin d'assurer votre sécurité, les consignes de ce guide doivent être suivies afin de réduire les risques d'incendie ou d'explosion, de dommages à la propriété, de blessure ou de décès.

**Ne faites pas fonctionner** ce four la porte ouverte : un tel fonctionnement peut entraîner une exposition dangereuse à l'énergie micro-onde. Il est important de ne pas contourner ou altérer le verrouillage de sécurité.

**Ne déposez pas** d'objet entre la face du four et la porte. Ne laissez pas la saleté ou les résidus de produits nettoyants s'accumuler sur les surfaces d'étanchéité.

**Ne faites pas fonctionner** le four s'il est endommagé. Il est très important que la porte du four se ferme bien et que les éléments suivants ne soient pas endommagés :

- 1 porte (courbée);
- 2 charnières et loquets (brisés ou lâches);
- 3 surface d'étanchéité et porte étanche.

**Le four doit** être réglé ou réparé par un technicien qualifié.

### DÉCLARATION QUANT AUX INTERFÉRENCES DE FRÉQUENCE RADIO DE LA COMMISSION FÉDÉRALE DES COMMUNICATIONS (É.-U. SEULEMENT)

Cet équipement génère et utilise des fréquences sur bande ISM. S'il n'est pas installé et utilisé correctement, c'est-à-dire selon les directives du fabricant, ces fréquences peuvent entraîner des interférences dans les réceptions radiophoniques et télévisuelles. Cet équipement a été mis à l'essai et déclaré conforme aux limitations de l'équipement ISM énoncées à l'article 18 de la réglementation de la Commission, dont le but est d'offrir une protection raisonnable contre de telles interférences dans les installations résidentielles.

Il n'existe cependant aucune garantie que des interférences ne surviendront pas dans des installations particulières. Si cet équipement entraîne des interférences dans les réceptions radiophonique et télévisuelle, ce qui peut être déterminé en allumant et en éteignant l'équipement, l'utilisateur devrait tenter de corriger l'interférence en posant un ou plusieurs des gestes suivants :

- réorienter l'antenne réceptrice de la radio ou de la télévision;
- déplacer le four à micro-ondes par rapport au récepteur;
- éloigner le four à micro-ondes du récepteur;
- brancher le four à micro-ondes dans une prise différente afin qu'il ne se trouve pas sur le même circuit que le récepteur.

Le fabricant n'est pas responsable des interférences radiophoniques ou télévisuelles causées par une **MODIFICATION NON AUTORISÉE** à ce four à micro-ondes. L'utilisateur est responsable de la correction de telles interférences.

## CONSERVEZ CES INSTRUCTIONS

# RENSEIGNEMENTS IMPORTANTS SUR LA SÉCURITÉ

LISEZ TOUTES LES CONSIGNES DE SÉCURITÉ AVANT L'UTILISATION

## AVERTISSEMENT

Afin de réduire le risque d'incendie, brûlure, choc électrique, blessure ou exposition excessive à l'énergie micro-onde pendant l'utilisation de votre appareil, prenez des précautions de base, incluant celles énoncées dans les sections qui suivent.

## CONSIGNES DE SÉCURITÉ

- Lisez et respectez les « Précautions à prendre afin d'éviter une exposition excessive à l'énergie micro-onde », à la page 3.
- Cet appareil doit être mis à la terre. Ne le branchez que sur une prise correctement mise à la terre. Consultez la section « Directives de mise à la terre », à la page 9.
- N'utilisez pas cet appareil si son cordon ou sa fiche d'alimentation sont endommagés, s'il ne fonctionne pas correctement ou s'il a été échappé ou endommagé.
- Ne couvrez ni ne bloquez aucune ouverture de l'appareil.
- Utilisez cet appareil à ce pour quoi il a été conçu, tel que décrit dans ce guide. N'utilisez pas de vapeurs ou de produits chimiques corrosifs dans cet appareil.
- Ce four à micro-ondes est spécialement conçu pour chauffer, sécher ou cuire des aliments. Il n'est pas conçu pour une utilisation industrielle ou en laboratoire.
- Certains produits tels les œufs entiers et les contenants hermétiques tels les pots de verre fermés peuvent exploser et ne devraient pas être chauffés dans ce four.
- Ne rangez pas cet appareil à l'extérieur.

# RENSEIGNEMENTS IMPORTANTS SUR LA SÉCURITÉ

## CONSIGNES DE SÉCURITÉ (suite)

- N'utilisez pas ce produit près d'une source d'eau, tel un sous-sol humide, une piscine ou un évier.
  - Éloignez le cordon d'alimentation de toute surface chauffée.
  - N'immergez pas le cordon d'alimentation ou la fiche.
  - Consultez les directives de nettoyage de la surface de la porte aux sections « Entretien et nettoyage » de ce guide.
  - Toute réparation doit être effectuée par un personnel qualifié seulement. Contactez le centre de service autorisé le plus près pour vérification, réparation ou réglage.
  - Comme c'est le cas de tout appareil, une surveillance étroite est nécessaire lors de l'utilisation par des enfants.
- Pour réduire le risque d'incendie dans l'enceinte du four :**
- Ne cuisez pas trop les aliments.
  - Surveillez étroitement l'appareil pendant la cuisson si du papier, plastique ou autre matériau combustible sont placés dans le four.
  - Retirez les attaches et les poignées métalliques des contenants de plastique avant de les placer dans le four.
  - N'utilisez pas le four comme espace de rangement. Ne laissez pas de papier, ustensiles ou aliments dans le four lorsqu'il n'est pas utilisé.
  - N'utilisez pas le four pour sécher les journaux.
- Si des matériaux devaient s'enflammer dans le four, laissez la porte du four fermée, éteignez le four et débranchez l'alimentation au niveau de la fusible ou du disjoncteur. Le feu risque de se propager si la porte est ouverte.

CONSERVEZ CES INSTRUCTIONS

# RENSEIGNEMENTS IMPORTANTS SUR LA SÉCURITÉ

## REMARQUES PARTICULIÈRES CONCERNANT LA CUISSON MICRO-ONDE

### FORMATION D'ÉTINCELLES

**Si vous voyez des étincelles, appuyez sur le bouton ARRÊT/ANNULER et corrigez le problème.**

« Arcing » est le terme des micro-ondes pour décrire la formation d'étincelles dans le four. La formation d'étincelle est causée par :

- du métal ou du papier d'aluminium en contact avec la paroi du four;
- du papier d'aluminium non moulé autour des aliments (les arêtes pointant vers le haut agissent comme des antennes);
- du métal, tel des attaches métalliques, des broches de volaille ou de la vaisselle cordonnée d'or dans le four à micro-ondes;
- essuie-tout recyclé contenant de petits morceaux de métal dans le four à micro-ondes.

### ALIMENTS

- Le maïs soufflé ne doit être cuit dans votre four à micro-ondes qu'à l'aide d'un accessoire de cuisson spécialement conçu à cet effet, à moins que vous n'utilisiez du maïs soufflé identifié pour l'utilisation au four à micro-ondes.
- Certains produits, tels les œufs entiers (dans leur coquille), les contenants hermétiques et les pots de verre fermés, peuvent exploser et ne devraient pas être chauffés dans ce four à micro-ondes.
- Ne faites pas bouillir des œufs au four à micro-ondes. La pression s'accumulera dans le jaune d'œuf et le fera exploser, entraînant potentiellement des blessures.
- Faire fonctionner le four à micro-ondes sans aliment à l'intérieur durant plus d'une minute peut l'endommager et causer un incendie. La chaleur autour du magnétron augmente et peut réduire la durée de vie du four.
- Les aliments dotés d'une « peau » fermée tels les pommes de terre, saucisses, tomates, pommes, foie de poulet ou autres abattis et les jaunes d'œuf doivent être piqués avant la cuisson afin de permettre que la vapeur s'en échappe.



## DONNÉES DE SÉCURITÉ

### EAU SURCHAUFFÉE

L'eau et les autres liquides ne font pas toujours de bulles lorsqu'ils atteignent le point d'ébullition au four à micro-ondes. Ils peuvent en fait surchauffer sans faire une seule bulle. Le liquide surchauffé peut faire des bulles lorsqu'il est déplacé ou que quelque chose y est déposé, telle une cuiller ou un sachet de thé. Afin d'éviter cette situation pouvant entraîner des blessures, ne chauffez aucun liquide pendant plus de 2 minutes par tasse. Une fois le liquide chauffé, laissez reposer la tasse pendant 30 secondes dans le four à micro-ondes avant de la déplacer ou d'y déposer quoi que ce soit.

- Évitez de chauffer de la nourriture pour bébé dans des pots de verre, même sans le couvercle. Assurez-vous que la nourriture pour bébé est entièrement cuite. Mélangez les aliments afin de répartir la chaleur également. Prenez soin de ne pas vous ébouillanter lorsque vous chauffez du lait maternisé. Le contenant peut sembler plus froid que le lait ne l'est en réalité. **Vérifiez toujours la température du lait avant de nourrir le bébé.**
- Ébullition spontanée – Dans certains cas, un liquide peut commencer à bouillir pendant qu'on le retire du four à micro-ondes ou immédiatement après. Afin d'éviter les blessures causées par un éclaboussement, nous vous recommandons de laisser le contenant reposer entre 30 et 40 secondes dans le four éteint avant de l'en retirer. Ne faites pas bouillir de liquide dans des contenants à col mince tels les bouteilles de boissons gazeuses, les flacons de vin et surtout les tasses à café étroites. Même si le contenant est ouvert, de la vapeur peut s'accumuler en excès et entraîner une explosion ou un débordement.
- Ne faites pas décongeler de boissons surgelées dans des bouteilles étroites (surtout les boissons gazeuses). Même si le contenant est ouvert, de la pression peut s'accumuler. Le contenant pourrait exploser, entraînant des blessures.
- La vapeur et les aliments chauds peuvent entraîner des brûlures. Soyez prudent lorsque vous ouvrez des contenants d'aliments chauds, y compris les sacs de maïs soufflé, les pochettes de cuisson et les boîtes. Afin d'éviter les blessures, dirigez la vapeur loin des mains et du visage.
- Ne cuisez pas trop les pommes de terre. Elles pourraient se déshydrater et s'enflammer, endommageant votre four.
- Cuisez entièrement la viande et la volaille : la viande doit avoir une température INTERNE d'au moins 71,1°C (160°F) et la volaille 82,2°C (180°F). La cuisson à ces températures prévient habituellement les maladies alimentaires.

# RENSEIGNEMENTS IMPORTANTS SUR LA SÉCURITÉ

## REMARQUES PARTICULIÈRES CONCERNANT LA CUISSON MICRO-ONDE

### USTENSILES DE CUISSON POUR MICRO-ONDES

Assurez-vous que tous les ustensiles utilisés dans votre four à micro-ondes conviennent à ce type de cuisson. La plupart des casseroles de verre, plats de cuisson, tasses à mesurer, ramequins, poteries ou porcelaines sans bordure métallique ou enduit métallique peuvent être utilisés. Certains ustensiles de cuisson sont identifiés « sûr pour la cuisson aux micro-ondes ».

- Si vous utilisez un thermomètre à viande durant la cuisson, assurez-vous qu'il convient aux fours au micro-ondes.
- N'utilisez pas de produits de papier recyclé. Les essuie-tout, serviettes de table et papier ciré recyclés peuvent contenir des particules métalliques pouvant causer la formation d'étincelles ou de flammes. Les produits de papier contenant du nylon ou des fils de nylon devraient être évités : eux aussi peuvent s'enflammer.
- Tous les emballages de plastique ne conviennent pas aux fours à micro-ondes. Vérifiez l'emballage pour une utilisation adéquate.

- Le fond de certains plateaux de polystyrène, tels les emballages de viande, comporte une fine couche de métal. Lorsque cuit aux micro-ondes, le métal peut brûler le plancher du four ou enflammer un essuie-tout.
- La chaleur des aliments chauffés peut se transférer sur l'ustensile de cuisson. Vous aurez peut-être besoin de poignées pour manipuler l'ustensile.
- Les pochettes de cuisson « à bouillir » et les sacs de plastique hermétiquement fermés devraient être fendus, percés ou aérés, tel qu'indiqué sur leur emballage. Sans quoi, le plastique pourrait exploser pendant la cuisson ou immédiatement après, entraînant des blessures. En outre, les plats de rangement de plastique devraient être partiellement découverts afin d'éviter qu'ils ne forment une fermeture hermétique. Lors de la cuisson de contenants couverts hermétiquement à l'aide de pellicule plastique, soyez prudent en retirant la pellicule et dirigez la vapeur loin des mains et du visage.

- Les essuie-tout, le papier ciré et la pellicule plastique peuvent être utilisés pour couvrir les plats afin de retenir l'humidité et d'empêcher les éclaboussures. Assurez-vous d'aérer la pellicule plastique afin que la vapeur puisse s'échapper.

#### **Comment déterminer si un plat convient au micro-ondes :**

- 1 Placez le plat à vérifier et une tasse à mesurer de verre remplie d'une tasse d'eau dans le four.
- 2 Placez la tasse à mesurer dans le plat ou à côté.
- 3 Faites cuire aux micro-ondes pendant une minute à puissance élevée.

Si le plat chauffe, il ne devrait pas être utilisé pour la cuisson aux micro-ondes. Si le plat demeure froid et que seule l'eau dans la tasse chauffe, le plat convient aux micro-ondes.

# RENSEIGNEMENTS IMPORTANTS SUR LA SÉCURITÉ

## USTENSILES DE CUISSON POUR MICRO-ONDES (suite)

- N'utilisez le papier d'aluminium que de la façon décrite dans ce guide. Les plateaux télé peuvent être cuits au micro-ondes dans des plateaux d'aluminium de moins de 3/4 po. Retirez le couvercle supérieur et remettez le plateau dans la boîte. Lorsque vous utilisez du papier d'aluminium dans le four à micro-ondes, gardez une distance d'au moins 1 pouce entre le papier et les parois du four.

- Les ustensiles de cuisson de plastique conçus pour les micro-ondes sont très pratiques, mais doivent être utilisés avec prudence. Même les plastiques conçus pour les micro-ondes peuvent ne pas résister à la surcuisson aussi bien que le verre ou la céramique : ils peuvent ramollir ou carboniser lorsque soumis à de courtes périodes de surcuisson. Les aliments et l'ustensile peuvent même s'enflammer sur une longue période de surcuisson.

Suivez les lignes directrices suivantes :

- 1 Utilisez des ustensiles de plastique conçus pour les micro-ondes seulement et suivez attentivement les recommandations du fabricant.
- 2 **Ne cuisez pas** de contenant vide aux micro-ondes.
- 3 **Ne laissez pas** les enfants utiliser d'ustensile de plastique sans surveillance étroite.

## INSTRUCTIONS DE MISE À LA TERRE

### AVERTISSEMENT

**Une utilisation inadéquate de la prise de mise à la terre peut causer des chocs électriques.**

Cet appareil doit être mis à la terre. Dans le cas d'un court-circuit électrique, la mise à la terre réduit le risque de choc électrique en offrant une sortie au courant électrique.

Cet appareil est doté d'un cordon d'alimentation avec fiche bipolaire avec terre. La fiche doit être branchée dans une prise correctement installée et mise à la terre.

Consultez un électricien qualifié ou un technicien d'entretien si les directives de mise à la terre ne sont pas entièrement comprises, ou si un doute subsiste quant à la mise à la terre appropriée de l'appareil.

Si la prise est une prise standard à deux fiches, il est de votre responsabilité et devoir de la faire remplacer par une prise à trois fentes avec terre.

**Ne coupez pas** et ne retirez pas la troisième lame (mise à la terre) du cordon d'alimentation, peu importe les circonstances.

**N'utilisez pas** d'adaptateur de fiche avec cet appareil.

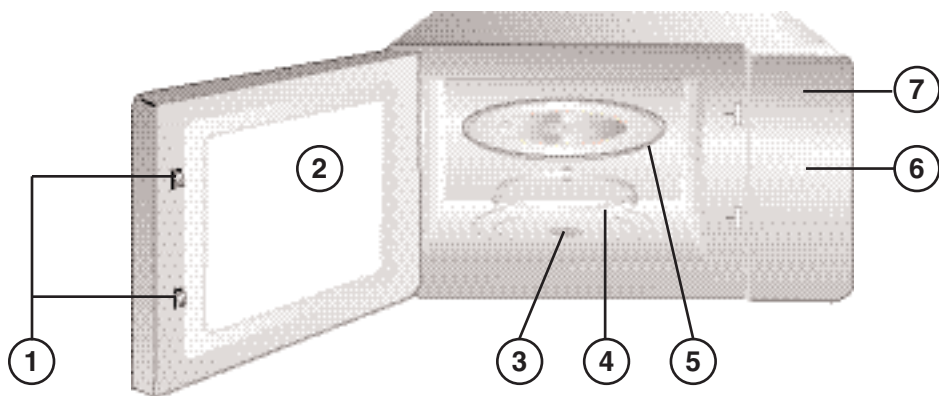
**N'utilisez pas** de rallonge avec cet appareil. Si le cordon d'alimentation est trop court, faites installer une prise près de l'appareil par un électricien qualifié ou un technicien d'entretien. Pour un meilleur fonctionnement, branchez cet appareil dans une prise à lui seul afin d'éviter le scintillement des lumières, le grillage d'un fusible ou un arrêt du disjoncteur.

# Consignes d'utilisation

## Caractéristiques de votre four à micro-ondes

(Les caractéristiques et l'apparence de votre modèle peuvent différer des illustrations de ce guide.)

### CARACTÉRISTIQUES



**1 Système de verrouillage de la porte**

**2 Fenêtre du four.**

La fenêtre vous permet de voir la cuisson tout en conservant l'énergie micro-onde à l'intérieur du four.

**3 Plate-forme tournante.**

**4 Anneau tournant.**

**5 Plateau tournant de verre amovible.**

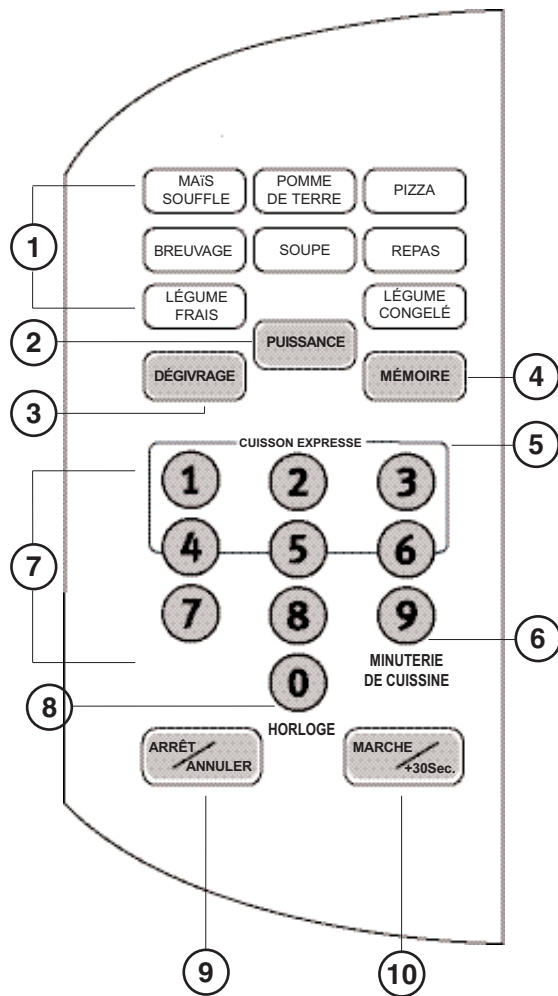
Le plateau tournant et l'anneau doivent être en place lorsque vous utilisez le four. Le plateau tournant peut être retiré pour le nettoyage.

**6 Panneau de commande**

(voir page 11)

**7 Affichage Électronique.**

# Commandes de votre four à micro-ondes



- 1 PROGRAMMES DE CUISSON** : MAÏS SOUFFLE, POMME DE TERRE, PIZZA, BREUVAGE, SOUPE, REPAS, LÉGUME FRAIS, LÉGUME CONGELÉ ( Voir “Menu Cuisson” aux pages 17 à 19)
- 2 PUISSANCE** : Utilisé pour ajuster le niveau de puissance.
- 3 DÉGIVRAGE (par Poids ou par Temps)** : Touchez pour décongeler des aliments par poids ou par temps Le four ajuste automatiquement le temps pour décongeler (avec le Poids) et le niveau de puissance.
- 4 MÉMOIRE** : Ajuste des temps de cuisson pré-réglés et des niveaux de puissance.
- 5 CUISSON EXPRESSE** :
- 6 MINUTERIE DE CUISSINE** :
- 7 Clavier numérique** – Réglez la durée et le poids.
- 8 HORLOGE** : Réglage et affichage de l’heure.
- 9 ARRÊT/ANNULER** : Arrêt/Annuler un programme ou un ajustement précédent.
- 10 MARCHE/+30Sec.** : Débute, arrête ou ajoute +30 secondes aux programmes.

# GUIDE DES PROGRAMMES CUISSON

Touche	Information concernant le Programme	Débuter
<b>MAÏS SOUFFLE</b> Une fois Deux fois Trois fois	<b>1.75 oz. / 50 g - 2 min. 40 sec.</b> <b>3.0 oz. / 85 g - 3 min. 15 sec.</b> <b>3.5 oz. / 100 g - 3 min. 25 sec.</b>	Touche <b>MARCHE/+30Sec.</b>
<b>POMME DE TERRE</b> Une fois Deux fois Trois fois	<b>1 Pomme de terre - 7 min. 30 sec.</b> <b>2 Pommes de terre - 11 min. 00 sec.</b> <b>3 Pommes de terre- 15 min. 00 sec.</b> <b>*Poids approx. d'une pomme de terre = 8.3 oz. (230 grammes)</b>	Touche <b>MARCHE/+30Sec.</b>
<b>PIZZA</b> Une fois Deux fois Trois fois	<b>1 Tranche - 40 sec.</b> <b>2 Tranches – 1 min. 20 sec.</b> <b>3 Tranches - 2 min.</b> <b>*Poids approx. d'une tranche = 3 oz. (85 grammes)</b>	Touche <b>MARCHE/+30Sec.</b>
<b>BREUVAGE</b> Une fois Deux fois Trois fois	<b>1 Breuvage - 1 min. 50 sec.</b> <b>2 Breuvages - 3 min. 10 sec.</b> <b>3 Breuvages - 4 min. 20 sec.</b> <b>* Volume approx. d'un breuvage = 8.5 oz. (250 ml)</b>	Touche <b>MARCHE/+30Sec.</b>
<b>SOUPE</b> Une fois Deux fois Trois fois Quatre fois	<b>4.0 oz. (118 ml) - 1 min. 30 sec.</b> <b>8.0 oz. (236 ml) - 2 min. 50 sec.</b> <b>12.0 oz. (356 ml) - 4 min. 10 sec.</b> <b>16.0 oz (472 ml) - 5 min. 30 sec.</b>	Touche <b>MARCHE/+30Sec.</b>

## GUIDE DES PROGRAMMES DE CUISSON (suite)

Touche	Information concernant le Programme	Débuter
<b>REPAS</b> Une fois Deux fois Trois fois	<b>9.0 oz / 255 grams - 3 min.</b> <b>12.0 oz. / 340 grams - 4 min.</b> <b>18.0 oz. / 510 grams - 6 min. 20 sec.</b>	Touche <b>MARCHE/+30Sec.</b>
<b>LÉGUME FRAIS</b> Une fois Deux fois Trois fois	<b>4.0 oz./ 113.4 grams - 3 min.</b> <b>8.0 oz./ 227 grams - 4 min. 10 sec.</b> <b>16.0 oz./ 454 grams - 6 min. 40 sec.</b>	Touche <b>MARCHE/+30Sec.</b>
<b>LÉGUME CONGELÉ</b> Une fois Deux fois Trois fois	<b>4.0 oz./ 113.4 grams - 3 min.</b> <b>8.0 oz./ 227 grams - 4 min. 10 sec.</b> <b>16.0 oz./ 454 grams - 6 min. 40 sec.</b>	Touche <b>MARCHE/+30Sec.</b>

# Consignes d'utilisation

## Commencez la Cuisson

### IMPORTANT

Vous pouvez faire une pause ou annuler une opération de cuisson à n'importe quel moment en appuyant sur **ARRÊT/ANNULATION** ou en ouvrant la porte du micro-ondes.

**Pour faire une Pause :** Appuyez sur **ARRÊT/ANNULATION** jusqu'à ce que vous entendiez un seul signal sonore ou jusqu'à ce que le compte à rebours arrête.

**Pour Annuler:** Appuyez sur **ARRÊT/ANNULATION** deux fois (deux signaux sonores devraient être entendus) ou jusqu'à ce que l'horloge réapparaisse sur l'affichage ("**0:00**" si l'horloge n'est pas ajustée).

## Cuisson Rapide

1. Appuyez sur **MARCHE/+30Sec.** pour 30 secondes de cuisson. Le micro-ondes commencera immédiatement à cuire.

Si l'intervalle du temps de cuisson est de 30 secondes (c.-à-d. 1 min ou 1 min et 30 sec., 2 min, etc.) vous pouvez commencer la cuisson instantanément en utilisant cette méthode. Voir aussi "**Si plus de cuisson est nécessaire...**" ci-dessous. Si la recette nécessite un niveau de puissance plus bas lors de la cuisson ou que le temps de cuisson recommandé n'est pas d'un intervalle de 30 secondes, voir "**Cuisson une ou deux étapes**" ci-dessous.

## Cuisson en Une ou Deux Étapes

Cette méthode est idéale pour les recettes qui nécessitent un niveau de puissance de cuisson réduit ou pour les repas avec un temps de cuisson particulier (c.-à-d. n'ayant pas des intervalles de 30 secondes tels que dans "CUISSON RAPIDE").

- 1 Appuyez sur la touche **PUISSANCE** . **PL10** apparaît sur l'affichage.
- 2 Chaque fois que vous appuyez sur la touche **PUISSANCE**, la puissance sera réduite de 10%. Pour plus d'information concernant les niveaux de puissance, consultez la section '**Niveaux de Puissance**'. Pour utiliser le niveau de puissance par défaut, vous n'avez qu'à vous rendre à l'étape 3.
- 3 Entrez le temps de cuisson avec les touches numériques correspondantes sur le clavier numérique (c.-à-d. Appuyez sur "1", "1" et "5" pour 1 minute et 15 secondes (**1:15** sur l'affichage)).
- 4 Pour la cuisson en deux étapes, répétez les étapes 1 à 3 et ensuite, poursuivez à l'étape 5.
- 5 Appuyez sur la touche **MARCHE/+30Sec.** . Le temps de cuisson débutera son compte à rebours jusqu'à ce qu'il se rende à zéro (**0:00** sur l'affichage). Le four commencera alors à afficher le temps (si ajuster) et émettra cinq signaux sonores.

**Si plus de temps de cuisson est nécessaire...** À n'importe quel moment ou pour n'importe quelle opération, même lors de la cuisson, appuyer sur la touche **MARCHE/+30Sec.** ajoute 30 secondes de plus au temps de cuisson à chaque fois que vous appuyez.

**Remarque :** Le temps de cuisson ajouté sera à la même puissance de cuisson que celle actuellement utilisée par le micro-ondes. Par exemple, si le Niveau de Puissance est ajusté à 50% (**PL5** sur l'affichage), alors le temps de cuisson ajouté sera au Niveau de Puissance de 50%.



# Consignes d'utilisation

## Modification des niveaux de puissance

### Cuisson à UNE ÉTAPE:

1. Appuyez sur **PUISSANCE**.
2. Continuez à appuyer sur **PUISSANCE** pour diminuer le niveau de puissance jusqu'à ce que le niveau désiré soit affiché (voir tableau ci-dessous).
3. Entrez le temps de cuisson
4. Appuyez sur **MARCHE/+30Sec.**

### Cuisson à PLUSIEURS ÉTAPES:

1. Répétez les étapes ci-dessus de 1 à 3 jusqu'à ce que vous ayez 2 étapes de cuisson séparées.
2. Appuyez sur **MARCHE/+30Sec.**

# des Touches	Affichage / % Puissance
1	PL10 - 100%
2	PL9 - 90%
3	PL8 - 80%
4	PL7 - 70%
5	PL6 - 60%
6	PL5 - 50%
7	PL4 - 40%
8	PL3 - 30%
9	PL2 - 20%
10	PL1 - 10%

## Modification de la puissance de cuisson

Le niveau de puissance est diminué de la valeur par défaut de 100% (**PL10**) lorsque vous appuyez sur la touche **PUISSANCE**.

La puissance de cuisson variée permet une cuisson aux micro-ondes plus flexible. La puissance de cuisson du four à micro-ondes peut être comparée aux éléments de surface d'une cuisinière. Le niveau de puissance de **PL10** est de 100% (ou pleine puissance) de puissance et c'est la façon la plus rapide de cuire. Chaque puissance de cuisson donne de l'énergie micro-onde durant un certain pourcentage du temps. **PL7** ( la puissance de cuisson 7) donne une énergie micro-onde 70 % du temps. La puissance de cuisson 3 donne une énergie micro-onde 30% du temps. Le réglage par défaut (puissance maximale/**PL10**) permet de cuire plus rapidement, mais nécessitera peut-être que les aliments soient mélangés, tournés ou retournés plus souvent. La plupart de la cuisson est effectuée à la valeur par défaut (puissance maximale). Un réglage plus faible cuira de façon plus égale et nécessitera moins souvent de mélanger ou tourner les aliments. Certains aliments peuvent offrir de meilleures saveur, texture ou apparence avec une puissance inférieure. Utilisez une puissance de cuisson inférieure pour les aliments qui ont tendance à bouillir,

comme les gratins de pomme de terre. Les période de repos (lorsque l'énergie micro-onde cesse) permettent aux aliments de s'« égaliser » ou de transférer la chaleur vers l'intérieur. Ceci peut être démontré par le cycle de décongélation de puissance 3. Si l'énergie micro-onde ne cessait pas par moment, l'extérieur des aliments cuirait avant que l'intérieur ne soit décongelé.

Voici quelques exemples des différentes utilisations de la puissance de cuisson :

<b>Puissance de cuisson Par défaut (100%) (PL10)</b>	<b>Meilleures utilisations</b> Poisson, bacon, légumes, liquides à bouillir
<b>Moyenne - élevée 7-9 (71-90 %)</b>	Cuire lentement viande et volaille, plats au four, réchauffer
<b>Moyenne 5-6 (50-60%)</b>	Cuire lentement et attendrir, comme pour les ragoûts et les coupes de viande moins tendres
<b>Faible 3-4 (30-40%)</b>	Décongeler sans cuisson, mijoter, sauces délicates
<b>Réchaud 1-2 (10-20%)</b>	Garder la nourriture chaude sans surcuisson, ramollir le beurre

# Consignes d'utilisation

## Guide de décongélation

### DÉCONGELER (Par Poids)

- 1 Appuyez sur la touche **DÉGIVRAGE**.
- 2 Entrez le poids en onces en utilisant le clavier numérique.
- 3 Appuyez sur **MARCHE/+30Sec.**

- La durée de décongélation est déterminée par le poids de la nourriture.
- Le poids à décongeler doit être entré en onces.

**REMARQUE :** Le programme de décongélation par poids (**dEF1**) utilise les onces seulement et peut varier entre 4 à 100 onces (113 à 2,835 grammes).

### Guide de conversion

Si le poids des aliments ne s'affiche qu'en livres, les livres doivent être converties en onces.

Aliment (lb)	oz
Moins de 0,03	0
0,03 à 0,09	1
0,10 à 0,15	2
0,16 à 0,21	3
0,22 à 0,27	4
0,28 à 0,34	5
0,35 à 0,40	6
0,41 à 0,46	7
0,47 à 0,53	8
0,54 à 0,59	9
0,60 à 0,65	10
0,66 à 0,71	11
0,72 à 0,77	12
0,78 à 0,83	13
0,84 à 0,90	14
0,91 à 0,97	15
0,98 à 1,0	16

### Trucs de décongélation

- Les aliments congelés dans le papier ou le plastique peuvent être décongelés dans leur emballage. Les emballages hermétiquement fermés devraient être fendus, percés ou aérés, APRÈS que les aliments soit partiellement décongelés. Les contenants de rangement de plastique devraient être partiellement découverts.
- Les repas surgelés préemballés de format familial peuvent être décongelés et cuits aux micro-ondes. Si les aliments sont dans un contenant d'aluminium, transférez-les dans un plat conçu pour le micro-ondes.
- Les aliments qui se perdent facilement, tels le lait, les œufs, le poisson, la farce, la volaille et le porc, ne devraient pas reposer plus d'une heure après la décongélation. La température pièce encourage la propagation de bactéries dangereuses.
- Une fois décongelés, les aliments devraient être frais et mous. S'ils sont toujours légèrement gelés, remettez-les au four à micro-ondes ou laissez-les reposer quelques minutes.

### DÉCONGELER (Par Poids)

- 1 Appuyez sur la touche **DÉGIVRAGE** deux fois. **dEF2** apparaît sur l'affichage.
- 2 Entrez le temps de décongélation en utilisant le clavier numérique
- 3 Appuyez sur **MARCHE/+30Sec.**

- Vous permet de décongeler pour la durée sélectionnée.
- Selon la durée entrée, le four pourra arrêter et émettre trois timbres sonores pendant le programme de congélation. À ce moment, retournez les aliments, divisez-les ou replacez les morceaux pour une décongélation plus égale.

Appuyez sur **MARCHE/+30Sec.** pour poursuivre le programme.

**REMARQUE :** Pendant la décongélation rapide un bruit sourd peut se faire entendre. Ce son est normal lorsque le four ne fonctionne pas à la puissance maximale.

# Consignes d'utilisation

Vous permettent de cuire ou de réchauffer des aliments automatiquement sans entrer de temps et sans sélectionner de puissance de cuisson. En plus de sélectionner le nombre de portions, certains programmes de cuisson vous permettent de choisir la taille des portions.

## POMME DE TERRE

Voir « Guide des programmes de cuisson » aux pages 12 et 13.

**1** Appuyez sur **POMME DE TERRE** une fois, deux fois ou trois fois pour cuire une, deux ou trois pommes de terre respectivement.

**2** Appuyez sur **MARCHE/+30Sec.**

## BREUVAGE

Voir « Guide des programmes de cuisson » aux pages 12 et 13.

**1** Appuyez sur **BREUVAGE** une fois, deux fois ou trois fois pour un, deux, trois breuvages respectivement.

**2** Appuyez sur **MARCHE/+30Sec.**

### AVERTISSEMENT

Les breuvages et les soupes chauffées avec le programme de boisson ou soupe peuvent être très chaudes. Retirez le contenant avec prudence.

## SOUPE

Voir « Guide des programmes de cuisson » aux pages 12 et 13.

**1** Appuyez sur **SOUPE** une fois, deux fois ou trois fois pour 4.0 oz/118ml, 8.0oz/236ml, 12.0oz/356ml ou 16.0oz/472ml de soupe respectivement.

**2** Appuyez sur **MARCHE/+30Sec.**

## PROGRAMMES DE CUISSON (suite)

### MAÏS SOUFFLÉ

**1** Appuyez sur **MAÏS SOUFFLE** une fois, deux fois ou trois fois pour un sac de 1.75 oz/50g, un sac de 3.0 oz/85g ou un sac de 3.5 oz/100 g respectivement.

**2** Appuyez sur **MARCHE/+30Sec.**

Suivez les directives de l'emballage. Utilisez la cuisson avec minuterie (voir page 14) si l'emballage pèse moins de 1,75 (50 grammes) onces ou plus de 3,5 onces (100 grammes). Placez l'emballage de maïs soufflé au centre du plateau tournant

#### MISE EN GARDE

1. Ne laissez jamais le four à micro-ondes sans surveillance pendant la cuisson du maïs soufflé.
2. Le maïs soufflé léger ne contient pas autant d'ingrédients de cuisson (huile, beurre, etc.) que le maïs soufflé régulier. Le temps de cuisson devrait être substantiellement moindre.
3. Lorsque l'éclatement ralentit ou s'arrête, arrêtez immédiatement le four à micro-ondes. Sans quoi, le maïs soufflé cuira trop, brûlera et pourrait même s'enflammer.

### REPAS

**1** Appuyez sur **REPAS** une fois, deux fois ou trois fois pour un repas de 9 oz/255g, 12 oz/340 g ou 18 oz/510 g.

**2** Appuyez sur **MARCHE/+30Sec.**

Suivez les directives de l'emballage. Utilisez la cuisson avec minuterie (voir page 14) si l'emballage pèse moins de 9 onces (255 grammes) ou plus de 18 onces (510 grammes).

## PROGRAMMES DE CUISSON (suite)

### LÉGUMES FRAIS

Suivez les directives de l'emballage. Utilisez la cuisson avec minuterie (voir page 14) si l'emballage pèse moins de 4 onces (113 grammes) ou plus de 16 onces (454 grammes).

1 Appuyez sur **LÉGUMES FRAIS** une fois, deux fois ou trois fois pour 4 oz/113 g, 8oz/227 g ou 16 oz/454 g de légumes respectivement.

2 Appuyez sur **MARCHE/+30Sec.**

### PIZZA

Voir « Guide des programmes de cuisson » aux pages 12 et 13.

\* Poids approx. d'une tranche = 3 oz. (85 grammes)

1 Appuyez sur **PIZZA** une fois, deux fois ou trois fois pour cuire une, deux ou trois pointes\* de pizza respectivement.

2 Appuyez sur **MARCHE/+30Sec.**

### LÉGUME CONGELÉ

Suivez les directives de l'emballage. Utilisez la cuisson avec minuterie (voir page 14) si l'emballage pèse moins de 4 (113 grammes) ouces ou plus de 16 onces (454 grammes).

1 Appuyez sur **LÉGUME CONGELÉ** une fois, deux fois ou trois fois pour 4 oz/113 g, 226.80 g/227 g ou 16 oz/454 g de légumes respectivement.

2 Appuyez sur **MARCHE/+30Sec.**

# Consignes d'utilisation

## Autres caractéristiques

### HORLOGE

**1** Appuyez sur **0 /HORLOGE** une fois pour ajuster l'horloge de 12 heures.

**2** Entrez l'heure en utilisant le clavier numérique. Par exemple, **9:12** sera "0", "9", "1" et "2".

**3** Appuyez sur **MARCHE/+30Sec.**

Vous pouvez afficher l'heure temporairement en appuyant sur **HORLOGE** pendant qu'un programme est en cours.

**REMARQUE :** Lorsque le four est branché la première fois, « **0:00** » s'affichent sur à affichage à diodes pour vous demander de régler l'horloge.

### MINUTERIE DE CUISSINE

**1** Appuyez sur **9 /MINUTERIE DE CUISINE.**

**2** Entrez le temps de minuterie en utilisant le clavier numérique

**3** Appuyez sur **MARCHE/+30Sec.**

La MINUTERIE DE CUISINE peut être utilisée comme minuterie pour vos besoins. Pour ajuster la MINUTERIE DE CUISINE :

- 1.** Appuyez sur **9 /MINUTERIE DE CUISSINE** sur le clavier numérique. "00:00" apparaît sur l'affichage.
- 2.** Entrez le compte à rebours désiré en utilisant le clavier numérique. Entrez la durée de temps en débutant par les minutes puis les secondes. Par exemple, 5 minutes et 15 secondes doit être entré "0", "5", "1" et ensuite, "5" ("05:15" sur l'affichage).
- 3.** Appuyez sur la touche **MARCHE/+30Sec.** . La minuterie débutera son compte à rebours jusqu'à ce qu'elle se rende à zéro (**0:00** sur l'affichage). Le four commencera alors à afficher le temps (si ajuster) et émettra cinq signaux sonores.

**Pour Annuler la MINUTERIE DE CUISINE :**

- 1.** Appuyez sur **ARRÊT/ANNULER.** L'affichage affichera de nouveau l'horloge (si elle est ajustée)

**REMARQUE :** Le programme de **MINUTERIE DE CUISINE** peut être utilisé en conjonction ou durant tout autre programme.

# Consignes d'utilisation

## MARCHE/+30Sec.

### Si plus de temps de cuisson est nécessaire...

À n'importe quel moment ou lors de n'importe quelle opération, même lorsque le four est en marche, appuyer sur la touche **MARCHE/+30Sec.** ajoutera 30 secondes de plus au temps de cuisson à chaque fois que vous appuyez sur la touche.

**Remarque :** Le temps de cuisson ajouté sera à la même puissance de cuisson que celle actuellement utilisée par le micro-ondes. Par exemple, si le Niveau de Puissance est ajusté à 50% (**PL5** sur l'affichage), alors le temps de cuisson ajouté sera au Niveau de Puissance de 50%.

## ARRÊT/ ANNULER


Annule n'importe quel ajustement si le programme n'est pas amorcé et fait une pause dans le programme si celui-ci est amorcé. Une fois qu'un programme est complété, appuyez sur le

bouton **ARRÊT/ANNULER** aura pour effet d'arrêter le signal de rappel. Ce bouton est aussi utilisé pour (dés)activer la Barrure pour Enfant, voir ci-dessous.

## VERROUILLAGE POUR ENFANTS

Vous pouvez verrouiller le panneau de contrôle pour prévenir l'utilisation du micro-ondes par un enfant.

### Pour verrouiller ou déverrouiller les contrôles :

1. Appuyez et tenez enfoncée la touche **ARRÊT/ANNULER** pendant environ 3 secondes.
2. Un long signal sonore sera entendu et  apparaîtra sur l'affichage (ou sera remplacé par l'horloge (si elle est ajustée) lorsque verrouillé).

# Consignes d'utilisation

## MÉMOIRE

### SAUVEGARDE DES PROGRAMMES D'UNE OU DE DEUX ÉTAPES :

- 1 Appuyez sur **MÉMOIRE**.
- 2 Appuyez sur **PUISSANCE** et sélectionnez le Niveau de Puissance désiré.
- 3 Entrez le temps en utilisant le clavier numérique.
- 4 Si terminé, appuyez sur **MÉMOIRE** pour sauvegarder le programme, pour deux étapes, répétez les étapes 2 à 3 et appuyez sur **MÉMOIRE**.

### SAUVEGARDE DES PROGRAMMES DE DÉCONGÉLATION D'UNE OU DEUX ÉTAPES :

- 1 Appuyez sur **MÉMOIRE**.
- 2 Appuyez sur **DEGIVRAGE** une fois pour la décongélation par poids et deux fois pour la décongélation par temps.
- 3 Entrez le poids de décongélation ou le temps en utilisant le clavier numérique.
- 4 Si terminé, appuyez sur **MÉMOIRE** pour sauvegarder le programme. Pour deux étapes, répétez les étapes 2 à 3 et ensuite, appuyez sur la touche **MÉMOIRE**.

Le programme **MÉMOIRE** est utile pour sauvegarder et conserver les instructions de cuisson pour vos repas favoris qui ne sont pas déjà programmés dans le micro-ondes, afin que vous puissiez les réutiliser en appuyant seulement sur un bouton. Vous pouvez sauvegarder jusqu'à deux programmes en appuyant sur **MÉMOIRE** : appuyez une fois pour le premier programme et deux fois pour le second. Pour activer un programme sauvegardé, appuyez **MARCHE/+30Sec**.

### Sauvegarder des programmes de cuisson d'une étape ou de deux étapes :

- 1 Appuyez sur **MÉMOIRE**. "1" apparaît sur l'affichage (pour sauvegarder un autre programme, appuyez sur **MÉMOIRE** de nouveau (deux fois au total) et "2" apparaît sur l'affichage).
- 2 Appuyez sur **PUISSANCE** et réduisez le Niveau de Puissance (si nécessaire) à la puissance désirée ou continuer tout simplement à l'étape 3 pour utiliser l'ajustement par défaut (100%).
- 3 Entrez le temps de cuisson en utilisant le clavier numérique.
- 4 Si une deuxième étape de cuisson est nécessaire, répétez les étapes 2 à 3 et ensuite continuez à l'étape 5, si seulement une étape est requise, poursuivez à l'étape 5.
- 5 Appuyez sur **MÉMOIRE** pour sauvegarder le programme.

### Sauvegarder des programmes de décongélation d'une étape ou de deux étapes :

- 1 Appuyez sur **MÉMOIRE**. "1" apparaît sur l'affichage (pour sauvegarder un autre programme, appuyez sur **MÉMOIRE** de nouveau (deux fois au total) et "2" apparaît sur l'affichage).
- 2 Appuyez sur **DEGIVRAGE** une fois pour la décongélation par poids et deux fois pour la décongélation par temps (**DEF1** et **DEF2**, respectivement).
- 3 Si vous avez choisi la Décongélation par poids (**DEF1**), entrez le poids (en onces) en utilisant le clavier numérique; si vous avez choisi la Décongélation par Temps (**DEF2**), entrez le temps en utilisant le clavier numérique. Si rien d'autre n'est requis, rendez-vous à l'étape 6, par contre, si une autre étape est requise poursuivez à l'étape 4.
- 4 Appuyez sur **PUISSANCE** et réduisez le Niveau de Puissance (si nécessaire) à la puissance désirée ou continuer tout simplement à l'étape 5 pour utiliser l'ajustement par défaut (100%).
- 5 Entrez le temps de cuisson en utilisant le clavier numérique.
- 6 Appuyez sur **MÉMOIRE** pour sauvegarder le programme.



# Renseignements utiles

## Terminologie des micro-ondes

### Terme

### Définition

Arcing (formation d'étincelles)

« Arcing » est le terme des micro-ondes pour décrire la formation d'étincelles dans le four. La formation d'étincelle est causée par :

- du métal ou du papier d'aluminium en contact avec la paroi du four;
- du papier d'aluminium non moulé autour des aliments (les arêtes pointant vers le haut agissent comme des antennes);
- du métal, tel des attaches métalliques, des broches de volaille ou de la vaisselle cordonnée d'or;
- du papier essuie-tout contenant des particules métalliques.

Couverture

Les couvercles gardent l'humidité à l'intérieur, permettant une chaleur plus uniforme et une durée de cuisson réduite. L'aération de la pellicule plastique ou la couverture avec du papier ciré permet à la vapeur excédentaire de s'échapper.

Protection

Dans un four régulier, vous protégez les poitrines de poulet ou les aliments de cuisson afin d'éviter qu'ils ne brunissent trop. Dans la cuisson aux micro-ondes, vous utilisez de petites languettes de papier d'aluminium pour protéger les parties minces, telles le bout des ailes et des pattes de poulet, qui cuiraient plus vite que les plus grosses parties.

Durée de repos

Lorsque vous faites de la cuisson au four régulier, vous laissez reposer les aliments tels les rôtis ou les gâteaux afin de permettre à la cuisson de terminer ou aux aliments de prendre. La durée de repos est particulièrement importante dans la cuisson aux micro-ondes. Remarque : ne placez pas un gâteau cuit aux micro-ondes sur une grille de refroidissement.

Aération

Après avoir couvert un plat de pellicule plastique, vous aérez la pellicule et retournant un coin qui permettra à la vapeur excédentaire de s'échapper.

# Entretien et nettoyage

## Trucs pratiques

Ouvrez la porte pendant quelques minutes après la cuisson afin d'aérer l'intérieur. Un frottage occasionnel à l'eau et au bicarbonate de soude permet de garder l'intérieur frais.

**REMARQUE :**  
Assurez-vous que le four est éteint avant d'en nettoyer toute partie.

## Nettoyage de l'intérieur

### Parois, plancher, fenêtre intérieure, pièces métalliques et de plastique sur la porte

Certaines éclaboussures peuvent être éliminées à l'aide d'un essuie-tout, tandis que d'autres nécessitent un linge humide. Éliminez les éclaboussures de graisse à l'aide d'un linge savonneux et rincez à l'aide d'un linge humide. N'utilisez pas de produit nettoyant abrasif ni d'ustensile coupant sur les parois du four. N'utilisez jamais de nettoyant à four commercial sur

quelque partie de votre four à micro-ondes.

### Anneau et plateau tournants amovibles

Afin d'éviter tout bris, ne placez pas le plateau dans l'eau immédiatement après la cuisson. Lavez-le avec soin dans de l'eau savonneuse tiède, ou au lave-vaisselle. Le plateau tournant et l'anneau peuvent se briser s'ils sont échappés. Rappelez vous de ne pas utiliser le four sans son plateau et son anneau tournants.

## Nettoyage de l'extérieur

**N'utilisez pas de produit nettoyant à l'ammoniaque ou à l'alcool dans le four. L'ammoniaque et l'alcool peuvent endommager l'apparence de votre four à micro-ondes.**

### Boîtier extérieur

Nettoyez l'extérieur du four à micro-ondes à l'aide d'un linge savonneux. Rincez et laissez sécher. Essuyez la fenêtre à l'aide d'un linge humide.

### Panneau de commande et porte


Essuyez à l'aide d'un linge humide. Bien rincer. N'utilisez pas de nettoyant vaporisateur, une trop grande quantité de savon et d'eau ni d'objet coupant sur le panneau : cela pourrait l'endommager. Certains type d'essuie-tout peuvent aussi égratigner le panneau de commande.

### Surface de la porte

Il est important que les endroits où la porte se ferme hermétiquement contre le four à micro-ondes soient toujours propres. N'utilisez que des produits nettoyants doux et non abrasifs, appliqués à l'aide d'une éponge propre ou un linge humide. Bien rincer.

## Si quelque chose fonctionne mal

### Avant de placer un appel de service

Problème	Cause probable	Solution
<b>Le four ne démarre pas.</b>	<p>Un fusible de votre domicile peut être brûlé ou un disjoncteur peut être fermé.</p> <p>La porte du four à micro-ondes n'est pas fermée.</p> <p>Surtension électrique.</p> <p>La fiche n'est pas entièrement insérée dans la prise murale.</p>	<p>Remplacez le fusible ou réinitialisez le disjoncteur.</p> <p>Assurez-vous que la porte est bien fermée.</p> <p>Débranchez le four à micro-ondes et rebranchez-le.</p> <p>Assurez-vous que la fiche bipolaire avec terre du four est bien insérée dans la prise murale.</p>
 <b>s'affiche sur l'ACL.</b>	Le panneau de commande a été verrouillé.	Appuyez et maintenez enfoncé le bouton <b>ARRÊT/ANNULER (RÉINITIALISER)</b> pendant 3 secondes afin de déverrouiller le panneau de commande.

### Les choses normales

- De la vapeur s'échappant autour de la porte.
- Une légère réflexion autour de la porte et du boîtier extérieur.
- Une atténuation de la lumière du four et un changement du son de ventilation, à des puissances de cuisson autres que la puissance maximale.
- Bruit sourd pendant le fonctionnement du four.
- Vous remarquerez peut-être

une interférence avec les signaux télévisuels et radiophoniques. Semblable à l'interférence causée par d'autres petits appareils électriques, elle ne signifie pas qu'il y ait un problème avec le four à micro-ondes. Branchez le four à micro-ondes dans un autre circuit électrique, déplacez la radio ou la télévision le plus loin possible du four ou vérifiez la position et le signal.

Si aucune des mesures ci-dessus ne permet de corriger le problème, veuillez contacter notre service à la clientèle au **1-800-26-Danby® (1-800-263-2629)**



Model / Modèle

**DMW758BL/W**

For service, contact your nearest service depot or call:

**1-800-26- Danby  
(1-800-263-2629)**

to recommend a depot in your area.

Pour le service après-vente, contactez votre centre de service le plus près ou téléphonez au :

**1-800-26- Danby  
(1-800-263-2629)**

afin de connaître l'atelier le plus près de chez vous.

### Microwave Oven

The model number can be found on the serial plate located on the back panel of the unit.

All repair parts available for purchase or special order when you visit your nearest service depot. To request service and/or the location of the service depot nearest you, call the TOLL FREE NUMBER.

When requesting service or ordering parts, always provide the following information:

- Product Type
- Model Number
- Part Description

### Four à micro-ondes

Le numéro du modèle se trouve sur la plaque de série, sur le panneau arrière de l'appareil.

Toutes les pièces de réparation sont disponibles à l'achat ou sur commande spéciale lorsque vous visiterez votre atelier de service. Afin de demander une réparation ou de connaître l'atelier de réparation le plus près de chez vous, appelez au NUMÉRO SANS FRAIS.

Afin de demander une réparation ou de commander des pièces, soyez toujours prêt à fournir les renseignements suivants :

- Type de produit
- Numéro de modèle
- Description de la pièce