



Danby

- Owner's Use and Care Guide
- Guide d'utilisation et soin de Propriétaire
- Guía a utilizar y a cuidar del Proprietario

**PORTABLE WASHING MACHINE
LAVEUSE À CHARGEMENT SUPERIEUR
LAVADORA DE CARGA SUPERIOR**

Model • Modèle • Modelo DWM17WDB



Contents

PORTABLE WASHING MACHINE

Owner's Use and Care Guide 2-14

- Welcome
- Important Safety Information
- Features
- Installation
- Operation Instructions
- Care and Maintenance
- Troubleshooting
- Warranty

LAVEUSE À CHARGEMENT SUPERIEUR

Guide d'utilisation et d'entretien 15-27

- Bienvenue
- Renseignements importants relatifs à la sécurité
- Caractéristiques et pièces
- Notice d'installation
- Mode d'emploi
- Soins et Entretien
- Dépannage
- Garantie

LAVADORA DE CARGA SUPERIOR

Guía para utilizar y cuidar del Proprietario.....28-40

- Bienvenida
- Información de seguridad importante
- Características y piezas
- Instrucciones d'instalación
- Instrucciones de funcionamiento
- Cuidado y mantenimiento
- Resolución de fallas
- Garantía

CAUTION:

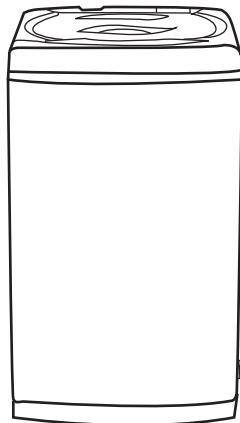
Read and follow all safety rules and operating instructions before first use of this product.

PRECAUTION:

Veillez lire attentivement les consignes de sécurité et les instructions d'utilisation avant l'utilisation initiale de ce produit.

PRECAUCION

Lea y observe todas las reglas de seguridad y las instrucciones de operación antes de usar este producto por primera vez.



Model • Modèle • Modelo
DWM17WDB

Welcome

Thank you for choosing a Danby appliance. This Owner's Use and Care Guide will provide you with valuable information necessary for the proper care and maintenance of your new appliance. If properly maintained, your Danby appliance will give you many years of trouble free operation. Please take a few moments to read the instructions thoroughly and familiarize yourself with all of the operational aspects of this appliance.

For easy reference, may we suggest you attach a copy of your sales slip/receipt to this page, along with the following information, located on the manufacturers nameplate on the side of the unit.

Model Number:	_____
Serial Number:	_____
Date of Purchase:	_____

WARNING

Improper connection of the grounding plug can result in risk of Fire, Electric Shock and/or injury to Persons associated with the appliance. Check with a qualified service representative if in doubt that the appliance is properly grounded.

This information will be necessary if your unit requires servicing and/or for general inquiries. To contact a Customer Service Representative, call Danby **TOLL FREE: 1-800-263-2629**



Important Safety Information

READ AND FOLLOW ALL SAFETY INSTRUCTIONS

FOR YOUR SAFETY: Read these instructions carefully before operating the unit.

SAFETY PRECAUTIONS

- Read all instructions before using the portable washer.
- Do not wash articles that have been previously cleaned in, washed in, soaked in, or spotted with gasoline, dry-cleaning solvents, or other flammable or explosive substances, as they give off vapours that could ignite or explode.
- Do not add gasoline, dry-cleaning solvents, or other flammable or explosive substances to the wash water. These substances give off vapours that could ignite or explode.
- Under certain conditions, hydrogen gas may be produced in a hot-water system that has not been used for 2 weeks or more. **HYDROGEN GAS IS EXPLOSIVE.** If the hot-water system has not been used for such a period, before using a washing machine, turn on all hot-water faucets and let water flow from each for several minutes. This will release any accumulated hydrogen gas. As the gas is flammable, do not smoke or use an open flame during this time.

DANGER

Risk of child entrapment. Child entrapment and suffocation are not problems of the past. Junked or abandoned appliances are still dangerous . . . even if they will “just sit in the garage a few days.”

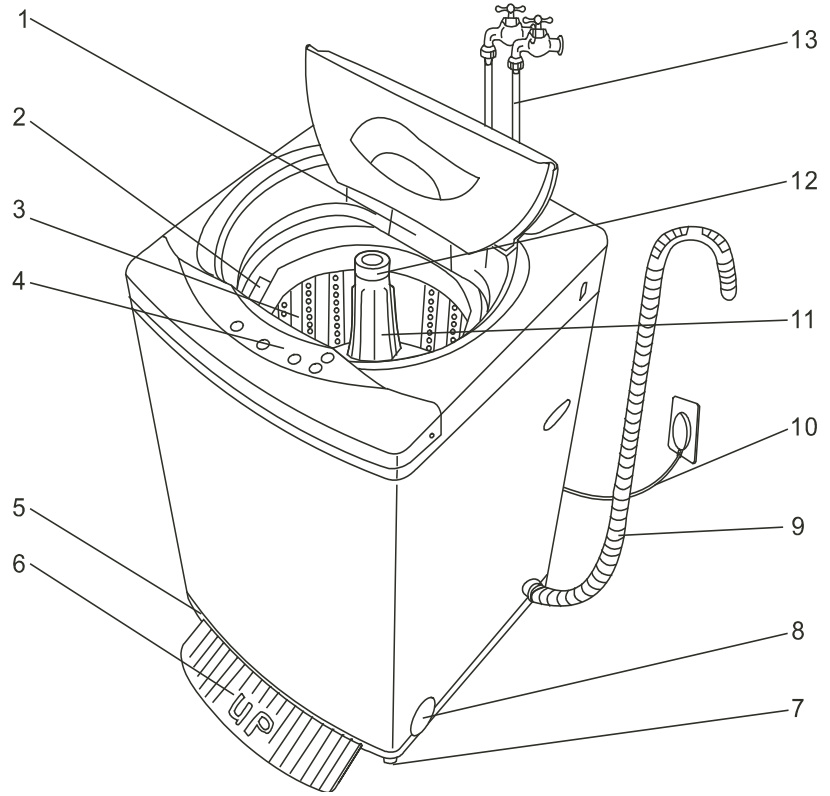
- Before you throw away your old portable washer: Take off the lid.
- Never allow children to operate, play with, or crawl inside the portable washer. Close supervision of children is necessary when the washer is used near children.
- Do not reach into the washer if the agitator or inner tub is moving.
- Do not tamper with controls.
- Do not repair or replace any part of the washer or attempt any servicing unless specifically recommended in the user-maintenance instructions or in published user-repair instructions.
- Never clean portable washer parts with flammable fluids. The fumes can create a fire hazard or explosion.
- Do not place the washer in steamy rooms or where the washer is directly exposed to rain. Moisture may destroy the electrical insulation causing an electrical shock hazard.
- Do not store, use gasoline, or any other flammable vapors and liquids in the vicinity of this or any other portable washer. The fumes can create a fire hazard or explosion.
- If the power cord is damaged, it must be replaced by the manufacturer or it's service agent or a similar qualified person in order to avoid a hazard.

Save these instructions



Features and Parts

1. DETERGENT CASE
2. SOFTENER DISPENSER
3. INNER TUB
4. CONTROL PANEL
5. BASE
6. NOISE PROOF PLATE
7. ADJUSTABLE FOOT
8. LEVEL ADJUSTABLE KNOB
9. DRAIN HOSE (1PC)
10. POWER SUPPLY CORD
11. AGITATOR
12. LINT FILTER
13. INLET HOSES (2PCS)



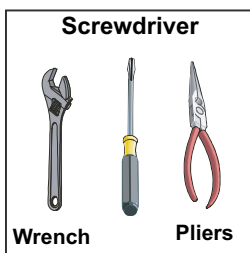
ACCESSORIES

INLET	NOISE PROOF PLATE	CONNECTOR
HOSE	1 PIECE	1 PIECE



Installation Instructions

BEFORE USING YOUR PORTABLE WASHER



Remove the exterior and interior packing.

You will need the following tools:

- Wrench
- Pliers
- Screwdriver

Check to be sure you have all of the following parts:

- 2 Inlet Hoses
- Faucet Adapter
- 1 Noise Proof Plate With Screws
- 4 Casters
- Remove shipping brace. **Note** - It should be saved and used (to prevent damage to washer components) whenever washer is moved or transported to a new location.
- Clean the interior surface with lukewarm water using a soft cloth.
- Allow 2 inches of space between the back and sides of the appliance.



Installation Instructions

BEFORE USING YOUR PORTABLE WASHER (con't)

- Put your laundry into the washer evenly. Uneven laundry may cause noise or vibration.
- Don't use excessively hot water (50°C or more). Plastic parts may be deformed or damaged. Also, clothing may be deformed or bleached.
- Before washing, check all pockets. If nails or pins remain in pockets, they may damage the washer or clothes.
- Never splash water on the control panel.
- Plug the washer into an exclusive, properly installed-grounded wall outlet.
- Do not under any circumstances cut or remove the third (ground) prong from the power cord. Any questions concerning power and/or grounding should be directed toward a certified electrician.

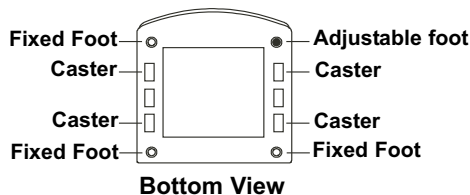
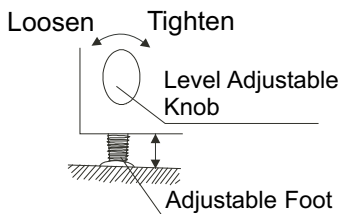
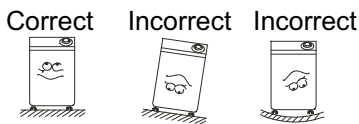
SELECTING A LOCATION

Before you install the portable washer, select a location with the following characteristics:

- A hard level surface (if the surface is uneven, see Adjusting The Adjustable Foot).
- Away from direct sunlight. Direct sunlight may affect the acrylic coating, plastic and electrical components.
- Adequate ventilation.
- Away from sources of heat such as coal or gas. Make sure that the washing machine does not stand on its power cord. Ventilation openings must not be obstructed by carpeting when the portable washer is installed on a carpeted floor.



LEVELING LEGS



If the floor is uneven adjust the adjustable foot (do not insert pieces of wood, or any other objects under the feet).

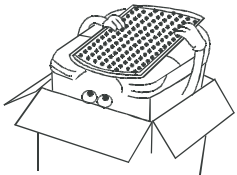

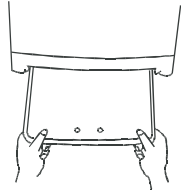
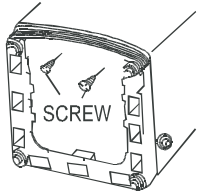
- Loosen the adjustable foot by turning the level adjustable knob with your hand until it is at the desired height.
- Tighten the adjustable foot by turning the level adjustable knob in the reverse direction.
- Place the washer on a sturdy flat surface.
- If the washer is placed on an uneven or weak surface, noise or vibration occurs (Allowable is 1°).
- For portable applications, the washing machine comes equipped with four north/south casters that can easily be installed to assist in the movement of the machine to and from the sink. Lay the unit on its back. Install the casters into the bottom of the base as depicted.
- Return the machine to the upright position. When the machine is positioned for operation set the height of the adjustment foot slightly higher than the front caster to prevent movement of the machine during wash and spin operation.

NOTE: Not all movement will be totally eliminated, this is normal.



Installation Instructions

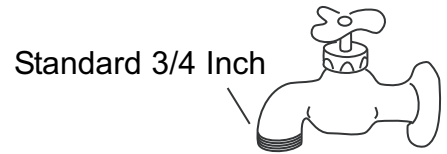
INSTALLING A NOISE PROOF PLATE

<p>Take the noise proof plate out of the package .</p> 	<p>The opening of the noise proof plate is at the bottom of the machine.</p> 	<p>Insert the noise proof plate into the washing machine base.</p> 	<p>Lay down the machine and secure the noise proof plate by fastening the two set screws.</p> 
--	--	--	---

CONNECTING THE WATER SUPPLY HOSE

WATER FAUCET

Water supply faucets must fit standard 3/4 inch (19.05mm) female garden hose couplings. Do not use slip-on or clamp-on connections.

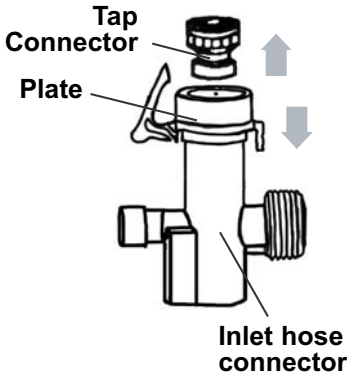
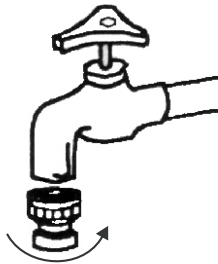
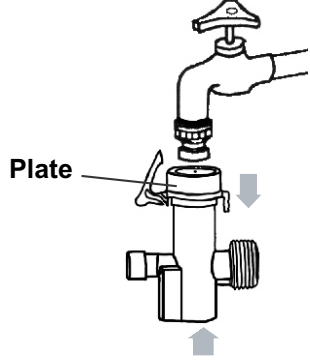


Note: Refer to section on water supply requirements before connecting water inlet hoses.

- 1 If you just have one water supply line (cold or warm water), connect the inlet hose to the cold water connector on the water mixing valve.

IMPORTANT

In this situation you can not set the wash temperature to hot.

<p>Hold down the plate of the inlet hose connector and disconnect the tap connector from the inlet hose connector.</p> 	<p>Screw on the tap connector counter clockwise.</p> 	<p>Hold down the plate and connect the inlet hose connector to the tap connector.</p> 
--	--	---

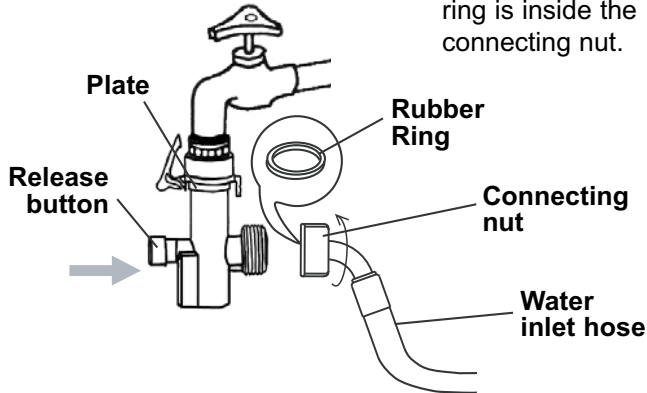


Installation Instructions

CONNECTING THE WATER SUPPLY HOSE

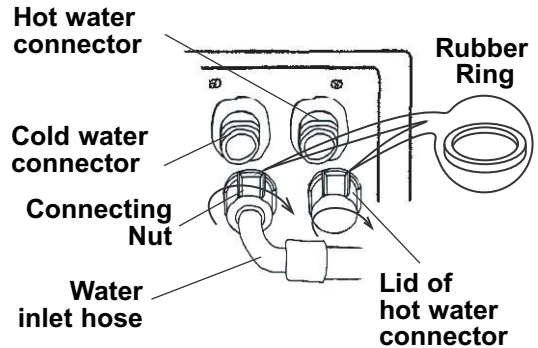
Connect the water inlet hose to the connector by turning the connecting nut.

Be sure a rubber ring is inside the connecting nut.



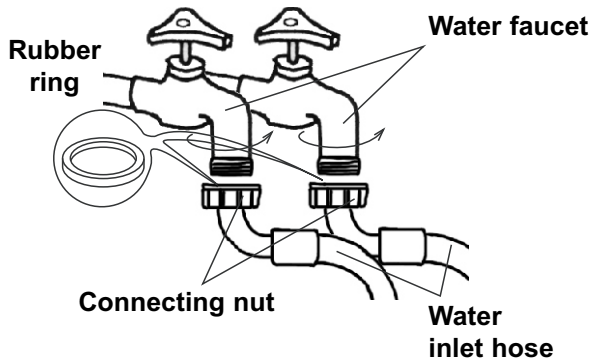
To release, turn off the water faucet and press the release button to release the pressure of water then press down the plate.

Do not unscrew the lid of the hot water connector on the water mixing valve, and then connect the other end of water inlet hoses to the cold connector in water mixing valve by turning the connecting nut.



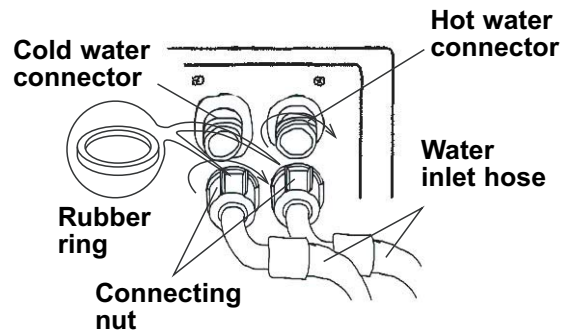
2 If you have both cold and hot water supplied, connect the inlet hose cold to cold and hot to hot.

Connect the water inlet hose to the tap connector by turning the connecting nut.



To release, turn off the water faucet and turn on the washer to run about 5 minutes and then disconnect the inlet hoses.

Unscrew the lid of the hot water connector in water mixing valve, and then connect the other end of water inlet hoses to the connectors in water mixing valve by turning the connecting nut.



Note:

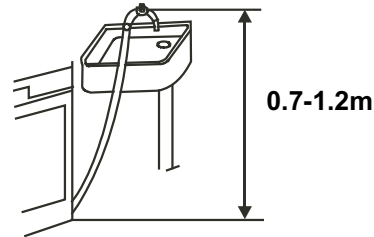
1. Do not over tighten or cross thread the nut in order to prevent the elbow of the water inlet from breaking.
2. If water seeps, you should check the nut to see if there is a rubber sealed ring.



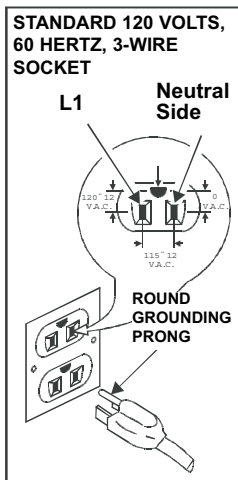
Installation Instructions

POSITIONING THE DRAIN HOSE

Connect the drain hose to the water outlet of the washing machine then fasten it with a pinchcork. Since both horizontal or vertical drainage is available, the drain hose can be laid down on the ground, or in the basin or bathtub, as long as the drainage range is not higher than 70 cm (27").



ELECTRICAL CONSUMPTION



IMPORTANT

Improper use of the grounded plug can result in the risk of electrical shock. If the power cord is damaged, have it replaced by an authorized service technician.

This portable washer should be properly grounded for your safety. The power cord of this portable washer is equipped with a three-prong plug which mates with standard three prong wall outlets to minimize the possibility of electrical shock.

Do not under any circumstances cut or remove the third ground prong from the power cord supplied.

This portable washer requires a standard 120 Volts~./60Hz electrical outlet with three-prong ground.

To prevent injury the cord should be secured behind the portable washer and not left exposed or dangling.

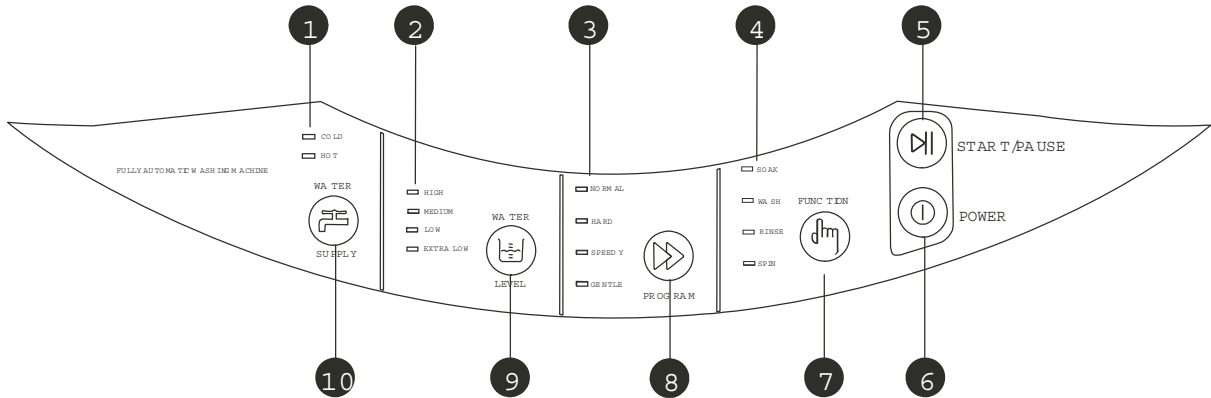
Never unplug the portable washer by pulling the power cord. Always grip the plug firmly and pull straight out from the receptacle.

Do not use an extension cord with this appliance. If the power cord is too short, have a qualified electrician or service technician install an outlet near the appliance.



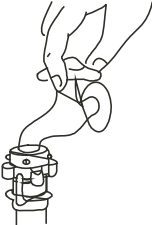
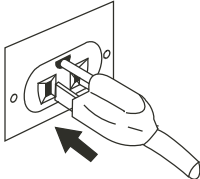
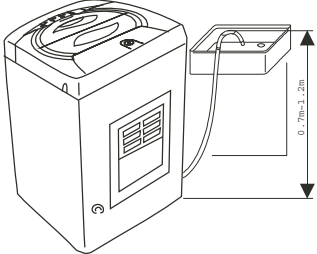
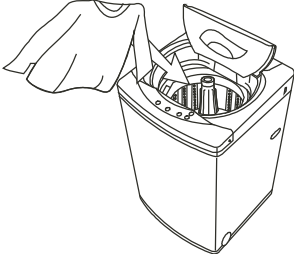
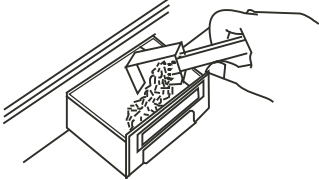
Operating Instructions

CONTROL PANEL



- | | |
|----------------------------------|--|
| 1. Water Temperature Indicator | 6. Power Button |
| 2. Water Level Indicator | 7. Function Selection Button |
| 3. Wash Mode Selection Indicator | 8. Wash Selection Button |
| 4. Process Selection Indicator | 9. Water Level Selection Button |
| 5. Start/Pause Button | 10. Water Temperature Selection Button |

PREPARATION

<p>1) Connect the inlet hose and turn on the faucet, Don't switch on the power if water pressure is lower than 0.05 Mpa and higher than 0.5 Mpa.</p> <p>2) Open the faucet.</p> 	<p>3) Put the plug into the socket. For safety the plug should have ground connection.</p> 	<p>4) Insert the end of the drain hose into the hook shelf, and hang the drain hose over a drain outlet.</p> 
<p>5) Put the wash load into the tub and close the lid.</p> <p>If the lid is not closed the washing machine will not operate.</p> 	<p>6) Add the suitable quantity of detergent into the detergent dispenser.</p> 	



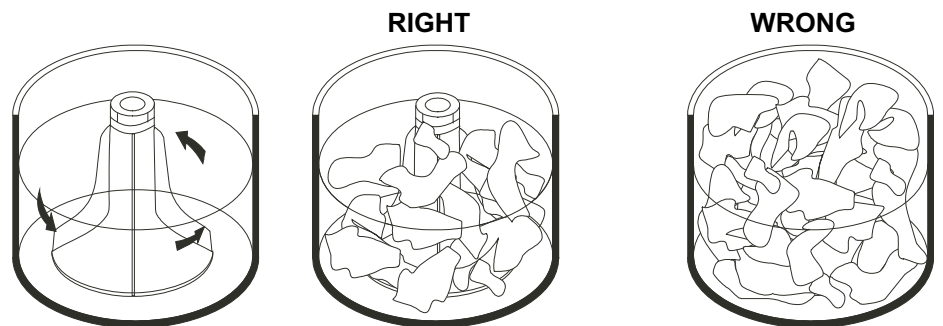
Operating Instructions

BEFORE WASHING

Prepare the wash load. Mix large and small articles in a load to get the best washing results. Drop articles loosely into the inner tub. Do not pack articles in or wrap them. Articles should move freely through the wash water for best cleaning results. Articles should rollover, sink and then reappear.

When washing very large articles, do not fill inner tub as full as with other loads. The water level in your washer should fit the size of your wash load. Small load will use lower water levels. There must be enough water in the inner tub to allow articles to move and turn over freely. Overloading the inner tub can result in poor washing and rinsing. Overloading may also cause wrinkling and tearing of articles.

WATER LEVEL



OPERATING

Press down the power button.

Press down the water level button.

Choose appropriate water level according to wash load quantity and then the corresponding indicator will blink.

Water temperature choice

Push down the water temperature choice button, you can choose the inlet (cold water or hot water). When the cold-water indicator and the hot-water indicator turn on simultaneously, means you chose the warm water.

NOTE: The washer will provide a cold rinse in all TEMPERATURE settings.

IMPORTANT: A single cold hose system does not allow the washing machine to automatically (select) regulate incoming water temperatures to match those listed on the control panel such as WARM or HOT.

Press down the program select button.

Choose the appropriate program mode according to wash load quantity and then the corresponding indicator blink.

Press down the function select button.

Choose the desired function group and then the corresponding indicator will blink.

Press down the Start/Pause button once and the machine will begin operation.

Please press this button to stop the normal operation, if it continues to work, press it again. Water level can be reset during the normal operation. If higher water level is selected, the machine will operate after refilling the water.



Operating Instructions

FUNCTIONS

Each wash is preprogrammed; see the details in the wash program chart.

	SOAK	WASH	RINSE	SPIN
Normal	20 min	12 min	2 cycles	5 min
Hard	30 min	12 min	2 cycles	5 min
Speedy	10 min	5 min	1 cycle	2.5 min
Gentle	10 min	4 min	2 cycle	5 min

Note:

Clothes easily discolored should be washed separately to prevent inter-dyeing.

- If you want to change a selected program, press the Start/Pause button first, then press the Program button before pushing Start/Pause button again to restart.
- When Rinse & Drain program is on, do not use detergent.
- If you want to drain water during washing, press the Start/Pause button, then select Rinse and Drain program. Press Start/Pause button again to restart.
- If you open the lid, all the operations would be interrupted within 7 seconds, closing the lid the operation would continue.



Care and Maintenance

CLEANING

- Clean the surface of your portable washer regularly with soft fabric.
- Clean the inner tub regularly, especially immediately after starch or bleach operation.
- Clean the filter in the inlet valve or inlet hose regularly in order to prevent it from clogging.

1. Unplug the power cord.

2. Remove the inlet hose and clean the filter with a brush.

- Clean the surface of the washing machine with a soft cloth regularly.
- Clean the inner tub regularly, especially after washing starched or bleached laundry.

- Clean the lint filter.

Insert the filter frame into the agitator as it was.

Turn the filter inside out and wash the lint off with water.

Remove the filter frame by pulling it upward.

- Vacation Time

1. Turn off the tap, remove water inlet hose and let water drain out from the hose.

2. Set spin cycle for 1 minute.

3. Unplug the power cord.



Troubleshooting

Occasionally a problem may arise that is minor in nature, and a service call may not be necessary. Use this troubleshooting guide for a possible solution. If the unit continues to operate improperly, call an authorized service depot or Danby's Toll Free Number **1-800-263-2629** for assistance.

PROBLEM	POSSIBLE CAUSE
Washer does not operate.	Not plugged in. The circuit breaker tripped or a blown fuse. The lid is not closed. Make sure the water source is turned on.
No water or insufficient water supply.	The water source faucet is not turned on. The water source hose is frozen. The water intake hose is bent. The filter on the water intake hose is clogged.
The washing machine does not drain.	The drain hose is squashed or bent. The water hose mesh filter is clogged.
Washing machine vibrates or is too noisy.	Check to assure that the washer is level. The washing machine is touching another object. The laundry load is not balanced.
Washing machine does not spin.	The lid is not closed. The washer is not on a level surface.



LIMITED IN-HOME APPLIANCE WARRANTY

This quality product is warranted to be free from manufacturer's defects in material and workmanship, provided that the unit is used under the normal operating conditions intended by the manufacturer.

This warranty is available only to the person to whom the unit was originally sold by Danby Products Limited (Canada) or Danby Products Inc. (U.S.A.) (hereafter "Danby") or by an authorized distributor of Danby, and is non-transferable.

TERMS OF WARRANTY

Plastic parts, are warranted for thirty (30) days only from purchase date, with no extensions provided.

First Year During the first twelve (12) months, any functional parts of this product found to be defective, will be repaired or replaced, at warrantor's option, at no charge to the ORIGINAL purchaser.

To obtain Service Danby reserves the right to limit the boundaries of "In Home Service" to the proximity of an Authorized Service Depot. Any appliance requiring service outside the limited boundaries of "In Home Service", it will be the consumer's responsibility to transport the appliance (at their own expense) to the original retailer (point of purchase) or a service depot for repair. See "Boundaries of In Home Service" below. Contact your dealer from whom your unit was purchased, or contact your nearest authorized Danby service depot, where service must be performed by a qualified service technician.

If service is performed on the units by anyone other than an authorized service depot, or the unit is used for commercial application, all obligations of Danby under this warranty shall be void.

Boundaries of In Home Service If the appliance is installed in a location that is 100 kilometers (62 miles) or more from the nearest service center your unit must be delivered to the nearest authorized Danby Service Depot, as service must only be performed by a technician qualified and certified for warranty service by Danby. Transportation charges to and from the service location are not protected by this warranty and are the responsibility of the purchaser.

Nothing within this warranty shall imply that Danby will be responsible or liable for any spoilage or damage to food or other contents of this appliance, whether due to any defect of the appliance, or its use, whether proper or improper.

EXCLUSIONS

Save as herein provided, Danby, there are no other warranties, conditions, representations or guarantees, express or implied, made or intended by Danby or its authorized distributors and all other warranties, conditions, representations or guarantees, including any warranties, conditions, representations or guarantees under any Sale of Goods Act or like legislation or statute is hereby expressly excluded. Save as herein provided, Danby shall not be responsible for any damages to persons or property, including the unit itself, howsoever caused or any consequential damages arising from the malfunction of the unit and by the purchase of the unit, the purchaser does hereby agree to indemnify and hold harmless Danby from any claim for damages to persons or property caused by the unit.

GENERAL PROVISIONS

No warranty or insurance herein contained or set out shall apply when damage or repair is caused by any of the following:

- 1) Power failure.
- 2) Damage in transit or when moving the appliance.
- 3) Improper power supply such as low voltage, defective house wiring or inadequate fuses.
- 4) Accident, alteration, abuse or misuse of the appliance such as inadequate air circulation in the room or abnormal operating conditions (extremely high or low room temperature).
- 5) Use for commercial or industrial purposes (ie. If the appliance is not installed in a domestic residence).
- 6) Fire, water damage, theft, war, riot, hostility, acts of God such as hurricanes, floods etc.
- 7) Service calls resulting in customer education.
- 8) Improper Installation (ie. Building-in of a free standing appliance or using an appliance outdoors that is not approved for outdoor application).

Proof of purchase date will be required for warranty claims; so, please retain bills of sale. In the event warranty service is required, present this document to our AUTHORIZED SERVICE DEPOT.

Warranty Service
In-home

Danby Products Limited
PO Box 1778, Guelph, Ontario, Canada N1H 6Z9
Telephone: (519) 837-0920 FAX: (519) 837-0449

1-800-263-2629

Danby Products Inc.
PO Box 669, Findlay, Ohio, U.S.A. 45840
Telephone: (419) 425-8627 FAX: (419) 425-8629

Bienvenue

Bienvenue dans la famille Danby. Nous sommes fiers de nos produits de qualité et croyons au bien fondé de fournir une assistance fiable à nos clients. Vous le découvrirez grâce à ce guide facile d'utilisation et vous pourrez l'entendre en provenance des voix amicales de notre service d'assistance à la clientèle.

Mais, ce qui est encore mieux, vous pourrez bénéficier de ces valeurs à chaque utilisation de votre appareil. Ceci est important parce que votre nouvel appareil fera partie de votre famille pour longtemps.

S'il vous plaît noter les informations suivantes.

Numéro de Modèle: _____
Numéro de Serie: _____
Date d'achat: _____

MISE EN GARDE:

Ne laissez pas un climatiseur de chambre sans surveillance dans un espace où se trouvent des gens ou des animaux qui ne peuvent pas réagir à un appareil défaillant. Un appareil défaillant peut causer une surchauffe extrême ou entraîner la mort dans un tel espace confiné et sans surveillance.

Si ces renseignements ne vous aident pas à résoudre le problème, consultez votre représentant de service autorisé ou appelez Danby au numéro SANS FRAIS: **TEL 1-800-263-2629**



Renseignements importants relatifs à la sécurité

LISEZ ET RESPECTEZ TOUTES LES CONSIGNES RELATIVES À LA SÉCURITÉ

POUR VOTRE SÉCURITÉ : Veuillez lire ces consignes attentivement avant de faire fonctionner l'appareil.

MESURES DE SÉCURITÉ

- Veuillez lire toutes ces consignes avant d'utiliser la laveuse portative.
- Ne lavez aucun article ayant été auparavant lavé, nettoyé, ou dont les taches ont été traitées avec de l'essence, des solvants pour nettoyage à sec, ou d'autres substances inflammables ou explosives ou ayant trempé dans ces substances, car les vapeurs qui s'en dégagent pourraient causer un embrasement ou une explosion.
- N'ajoutez ni essence, ni solvant pour nettoyage à sec, ni autres substances inflammables ou explosives à l'eau de lavage. Ces substances émettent des vapeurs susceptibles de causer un embrasement ou une explosion.
- Dans certaines conditions, de l'hydrogène peut être produit dans un réseau de distribution d'eau chaude qui n'a pas été utilisé depuis 2 semaines ou plus. L'HYDROGÈNE EST UN GAZ EXPLOSIF. Si le réseau de distribution d'eau chaude n'a pas été utilisé pendant ce temps, avant d'utiliser une machine à laver, ouvrez les robinets d'eau chaude et laissez l'eau s'écouler de chacun pendant plusieurs minutes. Cela permettra de libérer tout hydrogène qui s'est accumulé. Comme il s'agit d'un gaz inflammable, il ne convient pas de fumer ou d'utiliser une flamme nue à une telle occasion.

DANGER

Risque qu'un enfant soit emprisonné dans la laveuse. Des enfants emprisonnés et asphyxiés dans la laveuse ne sont pas des problèmes n'appartenant qu'au passé. Les appareils électroménagers abandonnés ou jetés aux ordures représentent toujours un risque, . . même s'ils ne font que « reposer au garage pendant quelques jours ».

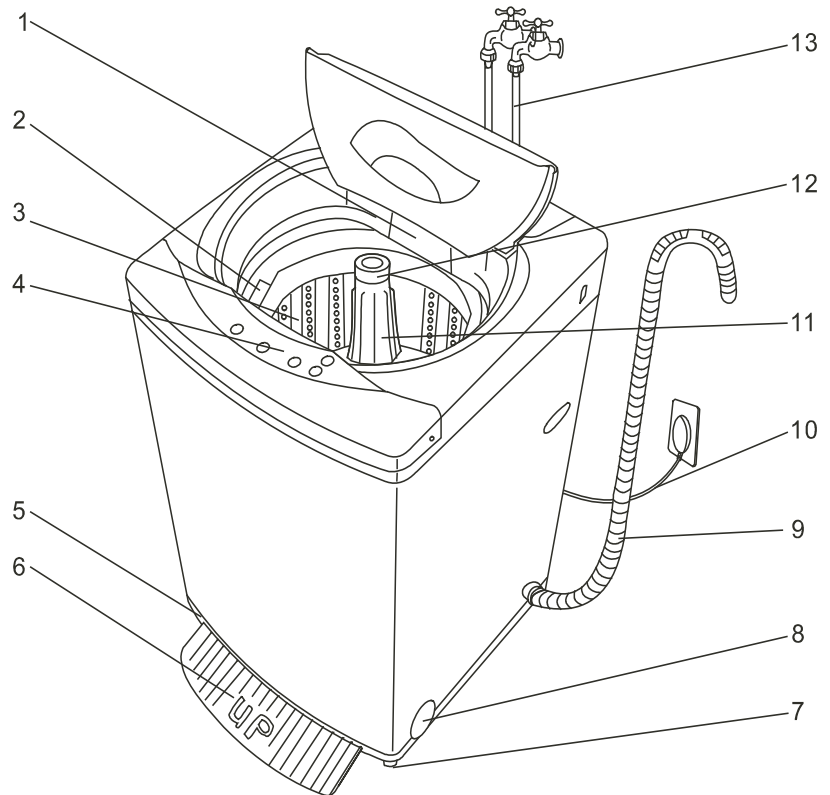
- Avant de jeter votre vieille laveuse portative, retirez le couvercle.
- Ne permettez jamais aux enfants de faire fonctionner la laveuse portative, de jouer avec celle-ci ou d'y pénétrer. Il est nécessaire de superviser étroitement les enfants qui se trouvent à proximité de la laveuse lorsqu'elle est en marche.
- Ne vous introduisez pas dans la laveuse si l'agitateur ou la cuve interne est en mouvement.
- Ne trafiquez pas les commandes.
- Ne réparez et ne remplacez aucune pièce de la laveuse et ne tentez pas d'effectuer son entretien sans que cela soit expressément recommandé dans les consignes d'entretien ou de réparation destinées à l'utilisateur.
- Ne nettoyez aucune pièce de la laveuse portative avec des liquides inflammables. Les vapeurs peuvent constituer un risque d'incendie ou provoquer une explosion.
- Ne placez pas la laveuse dans des locaux très humides ou à un endroit où elle serait directement exposée à la pluie. L'humidité peut détruire l'isolation électrique, ce qui entraînerait des risques de choc électrique.
- N'entreposez et n'utilisez ni essence, ni autres vapeurs ou liquides inflammables à proximité d'une laveuse portative, à savoir celle-ci ou toute autre. Les vapeurs peuvent constituer un risque d'incendie ou provoquer une explosion.
- Si le cordon d'alimentation est endommagé, il doit être remplacé par le fabricant ou la personne attitrée par le fabricant pour en assurer l'entretien ou par une telle personne également qualifiée afin d'éviter les risques.

Conservez ces instructions

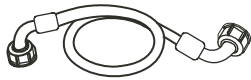




Caractéristiques et pièces

1. COMPARTIMENT DU DÉTERGENT
2. DISTRIBUTEUR DE PRODUITS ASSOUPLEISSANTS
3. CUVE INTÉRIEURE
4. PANNEAU DE COMMANDE
5. BASE
6. PLAQUE INSONORISÉE
7. PIED RÉGLABLE
8. BOUTON DE RÉGLAGE DE NIVEAU
9. TUYAU D'ÉVACUATION (1 PIÈCE)
10. CORDON D'ALIMENTATION
11. AGITATEUR
12. FILTRE À CHARPIE
13. TUYAUX D'ADMISSION (2 PIÈCES)



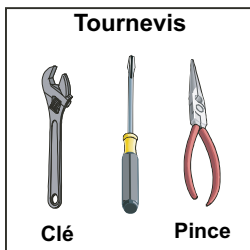
ACCESSOIRES

D'ADMISSION	PLAQUE INSONORISÉE	RACCORD
		
TUYAU	1 PIÈCE	1 PIÈCE



Notice d'installation

AVANT D'UTILISER VOTRE LAVEUSE PORTATIVE



Enlevez les emballages extérieur et intérieur.

Vous aurez besoin des outils suivants :

- Clé
- Pince
- Tournevis

Assurez-vous que vous avez en main toutes les pièces suivantes :

- 2 tuyaux d'admission
- Adaptateur de robinet
- 1 plaque insonorisée avec vis
- 4 roulettes
- Retirez la cale d'expédition. **Remarque** : elle doit être conservée et utilisée (pour éviter que les composants de la laveuse soient endommagés) au cas où la laveuse serait déplacée ou transportée vers un nouveau lieu.
- Nettoyez la surface intérieure à l'eau tiède avec un chiffon doux.
- Laissez un espace de 2 pouces entre l'arrière et les côtés de l'appareil électroménager.



Notice d'installation

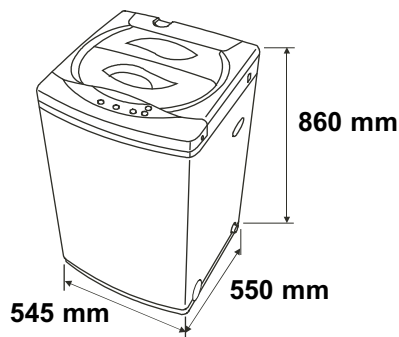
AVANT D'UTILISER VOTRE LAVEUSE PORTATIVE (suite)

- Mettez votre linge à laver dans la laveuse en répartissant la charge de manière uniforme. Une charge mal répartie peut occasionner du bruit ou des vibrations.
- N'utilisez pas de l'eau chaude à l'excès (température égale ou supérieure à 50 °C). Les pièces en plastique peuvent se déformer ou s'abîmer. Les vêtements peuvent également perdre leur forme ou être délavés.
- Avant de laver, vérifiez le contenu de toutes les poches. Si des clous ou des épingles restent dans les poches, ils peuvent endommager la laveuse ou les vêtements.
- N'aspergez pas le panneau de commande avec des éclaboussures.
- Branchez la laveuse à une prise murale exclusive, correctement mise à la terre.
- Sous aucun prétexte, vous ne devez couper ou enlever la troisième broche (mise à la terre) de la fiche du cordon électrique. Pour toute question relative à l'alimentation ou à la mise à la terre, faites appel à un électricien qualifié.

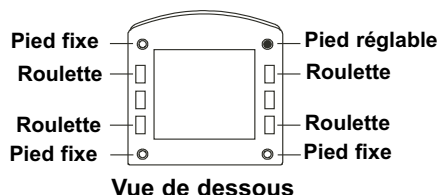
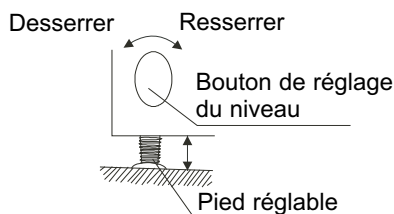
CHOIX DE L'EMPLACEMENT

Avant d'installer la laveuse portable, choisissez l'emplacement en fonction des caractéristiques recherchées suivantes :

- Une surface dure à niveau (si la surface est irrégulière, voir « Ajustement du pied réglable »).
- À l'abri des rayons directs du soleil. Les rayons directs du soleil peuvent affecter le revêtement acrylique ainsi que les composants électriques et en plastique.
- Une ventilation appropriée.
- À l'abri des sources de chaleur telles que le charbon ou le gaz. Assurez-vous que la laveuse ne repose pas sur son cordon d'alimentation. Les prises d'air de ventilation ne doivent pas être obstruées par le tapis lorsque la laveuse est installée sur un tapis.



PIEDS DE NIVELLEMENT



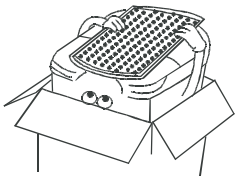

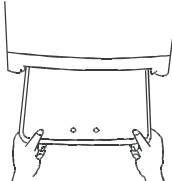
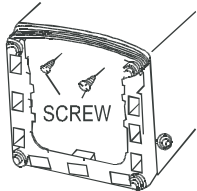
Si le sol est irrégulier, ajustez le pied réglable (n'insérez aucun morceau de bois, ou tout autre objet sous le pied).

- Desserrez le pied réglable à la main en tournant le bouton de réglage du niveau jusqu'à la bonne hauteur.
- Resserrez le pied réglable en tournant le bouton de réglage du niveau en sens inverse.
- Placez la laveuse sur une surface plate et rigide.
- Si la laveuse est placée sur une surface irrégulière ou faible, cela pourrait occasionner du bruit ou des vibrations (une inclinaison de 1° est permis).
- Pour les applications portables, la laveuse est munie de quatre roulettes orientées nord/sud qui peuvent être facilement installées pour aider à déplacer la laveuse vers l'évier et vers son lieu de rangement. Inclinez la laveuse à la renverse et déposez-la sur le sol. Installez les roulettes dans la base de la laveuse comme dans l'illustration.
- Remettez la laveuse à l'endroit. Une fois la laveuse positionnée en vue du fonctionnement, réglez la hauteur du pied réglable à un niveau légèrement supérieur à la roulette avant afin d'éviter que la laveuse se déplace pendant le lavage et l'essorage.

REMARQUE : Il n'est pas possible d'éliminer tous les mouvements de la laveuse, cela est normal.

Notice d'installation

INSTALLATION D'UNE PLAQUE INSONORISÉE

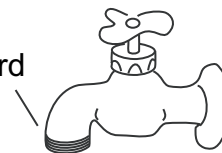
<p>Retirez la plaque insonorisée de l'emballage.</p> 	<p>L'ouverture pour insérer la plaque insonorisée est située dans la partie inférieure de la laveuse.</p> 	<p>Insérez la plaque insonorisée dans la base de la laveuse.</p> 	<p>Posez la laveuse à la renverse sur le sol et fixez la plaque insonorisée à l'aide des deux jeux de vis.</p> 
--	---	--	--

RACCORDEMENT DU TUYAU D'ALIMENTATION EN EAU

ROBINET

Les robinets doivent être compatibles avec les raccords femelles de tuyau d'arrosage standards de 19,05 mm (3/4 po). N'utilisez ni bride à assemblage coulissant ni collier de serrage.

3/4 po standard

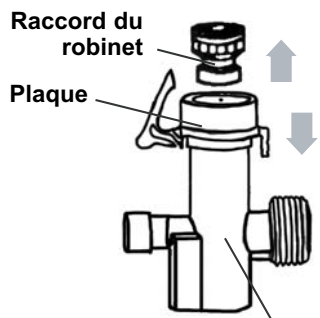
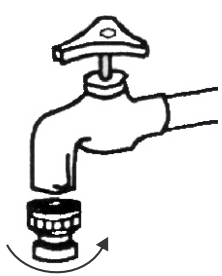
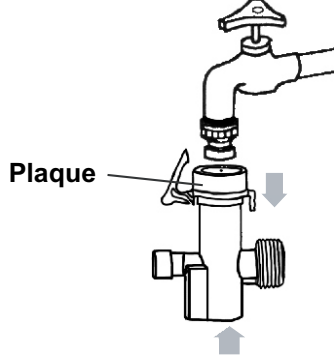


Remarque : reportez-vous à la section des exigences relatives à l'alimentation en eau avant de raccorder les tuyaux d'admission.

- 1 Si vous avez uniquement une conduite d'arrivée d'eau (eau chaude ou froide), branchez le tuyau d'admission au raccord d'eau froide sur la soupape de mélange d'eau.

IMPORTANT

Si c'est votre cas, vous ne pouvez opter pour le réglage de l'eau chaude.

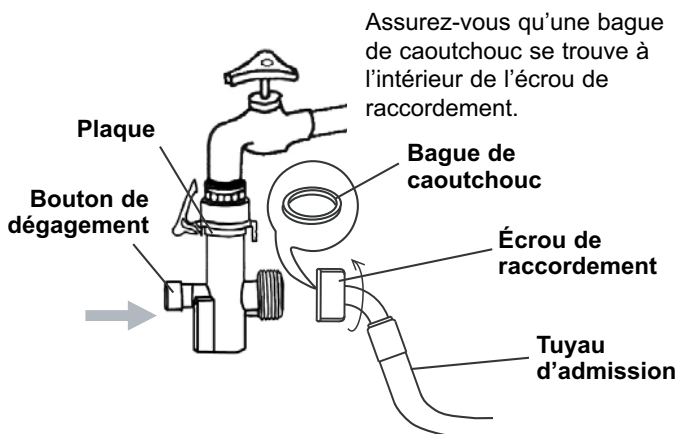
<p>Tirez vers le bas sur la plaque de raccord du tuyau d'admission et débranchez le raccord de robinet du raccord de tuyau d'admission.</p>  <p>Raccord du robinet</p> <p>Plaque</p> <p>Raccord du tuyau d'admission</p>	<p>Vissez le raccord du robinet en le tournant dans le sens antihoraire.</p> 	<p>Tirez la plaque vers le bas et branchez le raccord du tuyau d'admission au raccord de robinet.</p>  <p>Plaque</p>
---	--	---



Notice d'installation

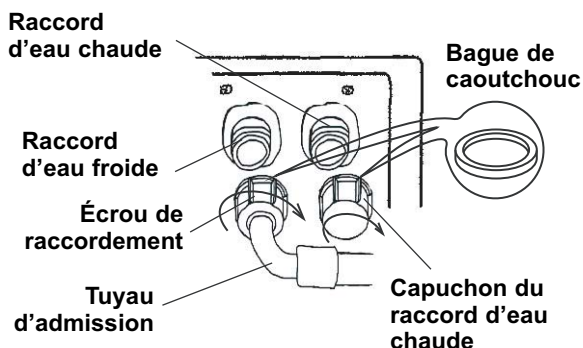
RACCORDEMENT DU TUYAU D'ALIMENTATION EN EAU

Branchez le tuyau d'admission au raccord en tournant l'écrou de raccordement.



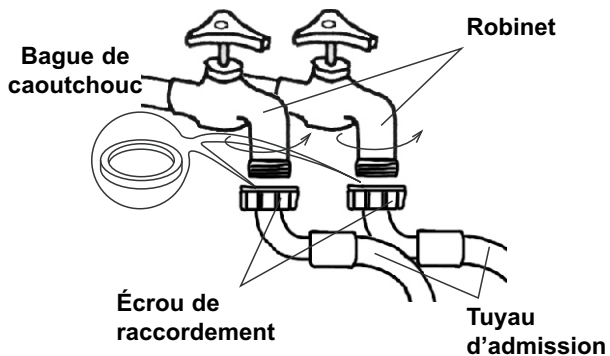
Pour libérer le raccordement, fermez le robinet et appuyez sur le bouton de dégagement pour supprimer la pression de l'eau, puis tirez vers le bas sur la plaque.

Ne dévissez pas le capuchon du raccord d'eau chaude situé sur la soupape de mélange d'eau, mais raccordez l'autre extrémité des tuyaux d'admission au raccord d'eau froide de la soupape de mélange d'eau en tournant l'écrou de raccordement.



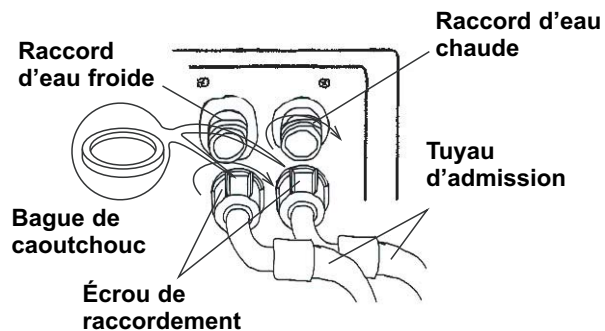
2 Dans le cas où l'alimentation en eau chaude et l'alimentation en eau froide sont disponibles, raccordez le tuyau d'admission d'eau froide à l'eau froide et le tuyau d'admission d'eau chaude à l'eau chaude.

Branchez le tuyau d'admission au raccord du robinet en tournant l'écrou de raccordement.



Pour libérer le raccordement, fermez le robinet et mettez la laveuse sous tension pour qu'elle fonctionne pendant 5 minutes, puis débranchez les tuyaux d'admission.

Dévissez le capuchon du raccord d'eau chaude situé dans la soupape de mélange d'eau, puis raccordez l'autre extrémité des tuyaux d'admission aux raccords de la soupape de mélange d'eau en tournant l'écrou de raccordement.



Remarque :

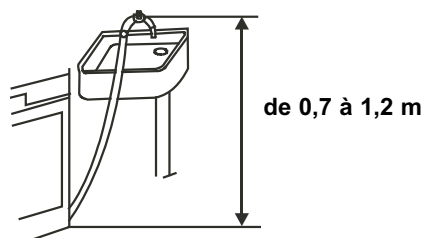
1. Ne serrez pas trop l'écrou et ne faussez pas le filetage afin d'éviter de provoquer la rupture du coude du tuyau d'admission.
2. Si une fuite se produit, vous devriez vérifier la présence d'un anneau de caoutchouc dans l'écrou.



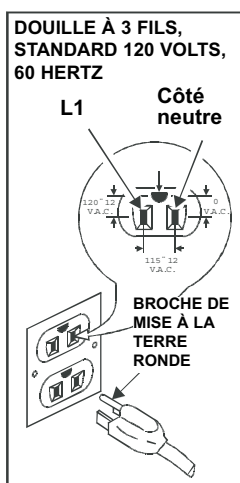
Notice d'installation

POSITIONNEMENT DU TUYAU D'ÉVACUATION

Branchez le tuyau d'évacuation à la sortie d'eau de la laveuse, puis fixez-le à l'aide d'une pince pression. L'évacuation tant horizontale que verticale étant disponible, le tuyau d'évacuation peut être déposé sur le sol, dans une cuve ou dans la baignoire, aussi longtemps que la hauteur à laquelle le tuyau d'évacuation est déposé n'est pas supérieure à 70 cm (27 po).



CONSOMMATION D'ÉLECTRICITÉ



IMPORTANT

Une utilisation incorrecte de la fiche mise à la terre peut entraîner un risque de choc électrique. Si le cordon d'alimentation est endommagé, faites-le remplacer par un technicien en entretien et en réparation autorisé.

Pour votre sécurité, cette laveuse doit être mise à la terre convenablement. Le cordon d'alimentation de cette laveuse portable est équipé d'une fiche à trois broches qui s'insère dans les prises murales standard à trois alvéoles afin de minimiser la possibilité de choc électrique.

Sous aucun prétexte, vous ne devez couper ou enlever la troisième broche (mise à la terre) de la fiche du cordon électrique.

Cette laveuse portable nécessite une prise électrique standard de 120 volts, 60 Hz, à trois alvéoles et avec mise à la terre.

Pour éviter les blessures, le cordon doit être fixé derrière la laveuse portable et ne doit ni pendre ni rester exposé.

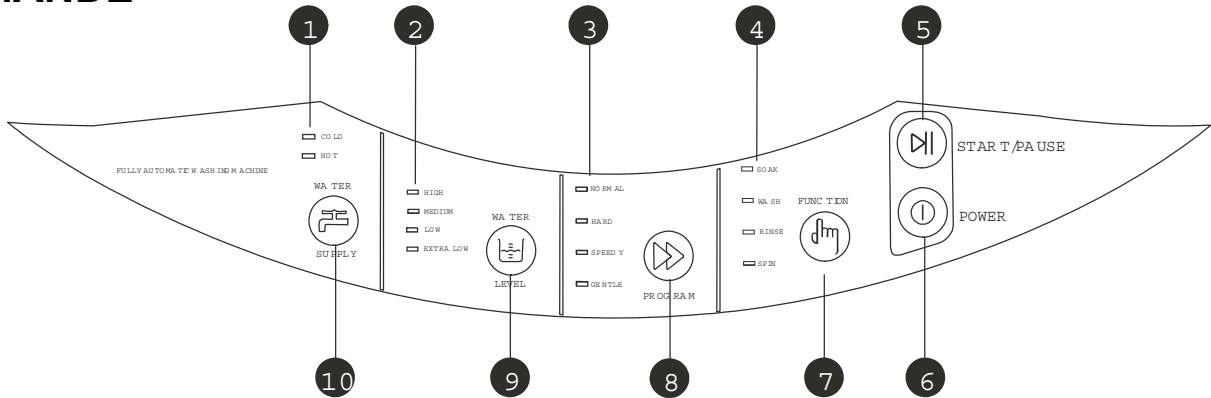
Ne débranchez jamais la laveuse portable en tirant sur le cordon d'alimentation. Tenez toujours la fiche fermement et tirez droit pour la retirer de la prise.

N'utilisez pas de rallonge avec cet appareil. Si le cordon d'alimentation est trop court, faites installer une prise près de l'appareil par un électricien qualifié ou un technicien en entretien et en réparation autorisé.



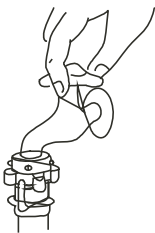
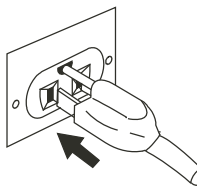
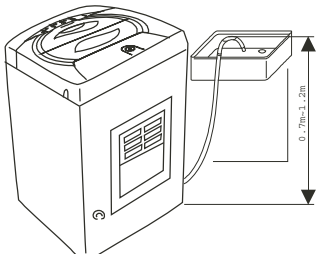
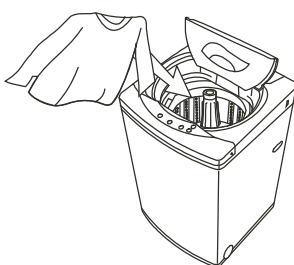
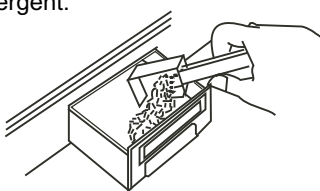
Mode d'emploi

PANNEAU DE COMMANDE



- | | |
|--|--|
| 1. Indicateur de température de l'eau | 6. Bouton de mise en marche |
| 2. Indicateur du niveau d'eau | 7. Bouton de sélection de fonction |
| 3. Indicateur de sélection du mode de lavage | 8. Bouton de sélection du mode de lavage |
| 4. Indicateur de sélection du processus | 9. Bouton de sélection du niveau d'eau |
| 5. Bouton de mise en marche/pause | 10. Bouton de sélection de la température de l'eau |

PRÉPARATION

<p>1) Branchez le tuyau d'admission et ouvrez le robinet. Ne mettez pas sous tension la laveuse si la pression de l'eau est inférieure à 0,05 Mpa ou supérieure à 0,5 Mpa.</p> <p>2) Ouvrez le robinet.</p> 	<p>3) Mettez la fiche dans la douille. Pour des raisons de sécurité, la prise devrait être mise à la terre.</p> 	<p>4) Insérez l'extrémité du tuyau d'évacuation dans une pince et suspendez-la au-dessus d'une sortie d'eau.</p> 
<p>5) Mettez la brassée dans la cuve et fermez le couvercle.</p> <p>La laveuse ne fonctionne pas tant que le couvercle est ouvert.</p> 	<p>6) Ajoutez la quantité de détergent qui convient dans le distributeur de détergent.</p> 	



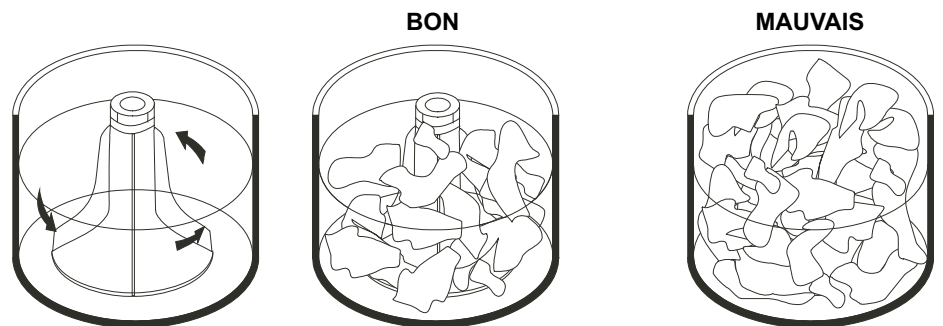
Mode d'emploi

AVANT LE LAVAGE

Préparez la brassée. Mélangez les articles de petite et de grande taille dans une même brassée pour obtenir des résultats optimaux. Déposez les articles dans la cuve interne sans les tasser. Ne condensez pas les articles et ne les enrôlez pas. Les articles devraient pouvoir se déplacer librement dans l'eau de lavage afin d'obtenir des résultats optimaux. Les articles devraient culbutter, couler et réapparaître à la surface.

Lorsque vous lavez des articles de grande taille, ne remplissez pas la cuve interne au même niveau que les autres brassées. Le niveau d'eau de votre laveuse doit être adapté à la taille de votre brassée. Une petite brassée exige des niveaux d'eau moins élevés. La quantité d'eau dans la cuve interne doit être suffisante pour permettre aux articles de se déplacer et de culbutter librement. Surcharger la cuve interne peut nuire à la qualité du lavage et du rinçage. Le fait de surcharger peut également occasionner le froissement et le déchirement des articles.

NIVEAU DE L'EAU



FONCTIONNEMENT

Appuyez sur le bouton de mise en marche.

Appuyez sur le bouton de sélection du niveau d'eau.

Choisissez le niveau d'eau qui convient en fonction de la taille de la brassée et l'indicateur correspondant clignotera.

Choix de la température de l'eau

Appuyez sur le bouton de sélection de la température de l'eau; vous pouvez choisir la sortie (eau froide ou chaude). Lorsque l'indicateur d'eau chaude/froide et l'indicateur d'eau chaude clignotent en même temps, cela signifie que l'eau chaude a été sélectionnée.

REMARQUE : un cycle de rinçage à l'eau froide est prévu pour tous les réglages de TEMPÉRATURE de la laveuse.

IMPORTANT : un système de tuyau unique pour l'eau froide ne permet pas à la laveuse de régler (sélectionner) automatiquement la température de l'eau à l'entrée en fonction des options du panneau de commande, telles que CHAUDE ou FROIDE.

Appuyez sur le bouton de sélection du programme.

Choisissez le mode programme qui convient en fonction de la taille de la brassée, puis l'indicateur correspondant clignotera.

Appuyez sur le bouton de sélection de la fonction.

Choisissez le groupe de fonctions désirées, puis l'indicateur correspondant clignotera.

Appuyez une fois sur le bouton de mise en marche/pause et la laveuse se mettra à fonctionner.

Appuyez sur ce bouton pour faire cesser le fonctionnement normal; si la laveuse ne s'arrête pas, appuyez de nouveau. Le niveau d'eau peut être réinitialisé pendant que la laveuse fonctionne normalement. Lorsqu'un niveau d'eau plus élevé est sélectionné, la laveuse se remettra à fonctionner une fois son remplissage effectué.



Mode d'emploi

FONCTIONS

Chaque lavage est préprogrammé; voir les détails figurant sur le tableau du programme de lavage.

	TREMPAGE	LAVAGE	RINÇAGE	ESSORAGE
Normal	20 min.	12 min.	2 cycles	5 min.
Intensif	30 min.	12 min.	2 cycles	5 min.
Court	10 min.	5 min.	1 cycle	2,5 min.
Délicat	10 min.	4 min.	2 cycles	5 min.

Remarque :

Les vêtements qui se décolorent facilement doivent être lavés séparément afin d'éviter que les autres vêtements en soient affectés.

- Si vous désirez changer la sélection du programme, appuyez d'abord sur le bouton de mise en marche/pause, puis appuyez sur le bouton du programme avant d'appuyer sur le bouton de nouveau pour redémarrer la laveuse.
- Lorsque le programme de rinçage et d'évacuation est activé, n'utilisez aucun détergent.
- Si vous désirez faire évacuer l'eau au cours du lavage, appuyez sur le bouton de mise en marche/pause, puis sélectionnez le programme de rinçage et d'évacuation. Appuyez sur le bouton de mise en marche/pause de nouveau pour redémarrer la laveuse.
- Lorsque vous ouvrez le couvercle, tout s'arrête en 7 secondes et la laveuse se remet en marche lorsque le couvercle est fermé.



Entretien

NETTOYAGE

- Nettoyez régulièrement la surface de votre laveuse portative avec un chiffon doux.
- Nettoyez régulièrement la cuve intérieure, surtout après y avoir versé de l'amidon ou de l'eau de Javel.
- Nettoyez régulièrement le filtre situé dans la vanne d'admission ou dans le tuyau d'admission afin de prévenir le colmatage.

1. Débranchez le cordon d'alimentation.

2. Retirez le tuyau d'admission et nettoyez le filtre à l'aide d'une brosse.

- Nettoyez régulièrement la surface de la laveuse avec un chiffon doux.
- Nettoyez régulièrement la cuve intérieure, surtout après avoir utilisé de l'amidon ou de l'eau de Javel pour le lavage.

- Nettoyez le filtre à charpie.

Insérez le cadre du filtre dans l'agitateur dans la position où il était auparavant.

Mettez le filtre à l'envers et rincez le filtre à l'eau.

Retirez le cadre du filtre en tirant vers le haut.

- Période de vacances

1. Fermez le robinet, retirez le tuyau d'admission et laissez l'eau s'écouler du tuyau.

2. Réglez le cycle d'essorage à 1 minute.

3. Débranchez le cordon d'alimentation.

Dépannage

Il peut arriver qu'un problème mineur se produise qui ne nécessite pas d'appel de service. Consultez ce guide de dépannage pour trouver une solution possible. Si l'appareil continue de mal fonctionner, appelez un atelier de réparation autorisé ou le numéro sans frais de Danby, au **1-800-263-2629**, pour obtenir de l'assistance.

PROBLÈME	CAUSE POSSIBLE
La laveuse ne fonctionne pas.	Appareil débranché. Le disjoncteur s'est déclenché ou le fusible a grillé. Le couvercle n'est pas fermé. Assurez-vous que l'alimentation en eau est ouverte.
Aucune alimentation en eau ou la quantité est insuffisante.	Le robinet n'est pas ouvert. Le tuyau d'admission est gelé. Le tuyau de prise d'eau forme un coude. Le filtre situé sur le tuyau de prise d'eau est colmaté.
L'évacuation de la laveuse ne fonctionne pas.	Le tuyau d'évacuation est écrasé ou forme un coude. Le filtre à tamis du tuyau est colmaté.
La laveuse vibre ou fait du bruit.	Assurez-vous que la laveuse est bien au niveau. La laveuse est en contact avec un autre objet. La brassée n'est pas bien répartie.
Le cycle d'essorage ne fonctionne pas.	Le couvercle n'est pas fermé. La laveuse n'est pas placée sur une surface à niveau.



GARANTIE LIMITÉE SUR APPAREIL ÉLECTROMÉNAGER À DOMICILE

Cet appareil de qualité est garanti exempt de tout vice de matière première et de fabrication, s'il est utilisé dans les conditions normales recommandées par le fabricant.

Cette garantie n'est offerte qu'à l'acheteur initial de l'appareil vendu par Danby Products Limited (Canada) ou Danby Products Inc. (E.-U. d'A) (ci-après "Danby") ou par l'un des ses distributeurs agréés et elle ne peut être transférée.

CONDITIONS

Les pièces en plastique sont garanties pour trente (30) jours seulement à partir de la date de l'achat, sans aucune prolongation prévue.

Première 12 mois Pendant les douze (12) mois, toutes pièces fonctionnelles de ce produit s'avèrent défectueuses, seront réparées ou remplacées, selon le choix du garant, sans frais à l'acheteur INITIAL.

Pour bénéficier du Service Le client sera responsable pour le transport et tous les frais d'expédition de tout appareil exigeant le service au dépôt de service autorisé le plus proche. S'adresser au détaillant qui a vendu l'appareil, ou à la station technique agréée de service la plus proche, où les réparations doivent être effectuées par un technicien qualifié. Si les réparations sont effectuées par quiconque autre que la station de service agréée où à des fins commerciales, toutes les obligations de Danby en vertu de cette garantie seront annulées.

Limites de l'entretien à domicile Si l'appareil est installé à plus de 100 kilomètres (62 milles) du centre de service le plus proche, il doit être livré à l'atelier de réparation autorisé par Danby le plus proche, car l'entretien doit uniquement être réalisé par un technicien qualifié et certifié pour effectuer un entretien couvert par la garantie de Danby. Les frais de transport entre votre domicile et le lieu de l'entretien ne sont pas couverts par la présente garantie et doivent être acquittés par l'acheteur.

Cette garantie indique en aucun temps la responsabilité de Danby de l'avarie ou dommage de la vin ou autre contenu, soit par les vices de l'appareil, ou soit par l'utilisation convenable ou inexacte.

EXCLUSIONS

En vertu de la présente, il n'existe aucune autre garantie, condition ou représentation, qu'elle soit exprimée ou tacite, de façon manifeste ou intentionnelle, par Danby ou ses distributeurs agréés. De même, sont exclues toutes les autres garanties, conditions ou représentations, y compris les garanties, conditions ou représentations en vertu de toute loi régissant la vente de produits ou de toute autre législation ou règlement semblables.

En vertu de la présente, Danby ne peut être tenue responsable en cas de blessures corporelles ou des dégâts matériels, y compris à l'appareil, quelle qu'en soit les causes. Danby ne peut pas être tenue responsable des dommages indirects dus au fonctionnement défectueux de l'appareil. En achetant l'appareil, l'acheteur accepte de mettre à couvert et de dégager Danby de toute responsabilité en cas de réclamation pour toute blessure corporelle ou tout dégât matériel causé par cet appareil.

CONDITIONS GÉNÉRALES

La garantie ou assurance ci-dessus ne s'applique pas si les dégâts ou réparations sont dus aux cas suivants:

- 1) Panne de courant.
- 2) Dommages subis pendant le transport ou le déplacement de l'appareil.
- 3) Alimentation électrique incorrecte (tension faible, câblage défectueux, fusibles incorrects).
- 4) Accident, modification, emploi abusif ou incorrect de l'appareil tel qu'une circulation d'air inadéquate dans la pièce ou des conditions de fonctionnement anormales (température extrêmement élevée ou basse).
- 5) Utilisation dans un but commercial ou industriel (à savoir, si l'appareil n'est pas installé dans un domicile résidentiel).
- 6) Incendie, dommages causés par l'eau, vol, guerre, émeute, hostilités, cas de force majeure (ouragan, inondation, etc.).
- 7) Visites d'un technicien pour expliquer le fonctionnement de l'appareil au propriétaire.
- 8) Installation inappropriée (par exemple, encastrement d'un appareil autoportant, ou utilisation extérieure d'un appareil non conçu à cet effet).

Une preuve d'achat doit être présentée pour toute demande de réparation sous garantie. Prière de garder le reçu. Pour faire honorer la garantie, présenter ce document à la station technique agréée ou s'adresser à:

Service sous-garantie
Service au domicile

Danby Products Limited
PO Box 1778, Guelph, Ontario, Canada N1H 6Z9
Telephone: (519) 837-0920 FAX: (519) 837-0449

1-800-263-2629

Danby Products Inc.
PO Box 669, Findlay, Ohio, U.S.A. 45840
Telephone: (419) 425-8627 FAX: (419) 425-8629

Bienvenida

Bienvenido a la familia Danby. Estamos orgullosos de nuestros productos de alta calidad y creemos en el servicio confiable. Usted lo podrá apreciar en este manual fácil de usar, y lo escuchará en las voces amistosas de nuestro departamento de servicio al consumidor.

Sobre todo, usted apreciará estas ventajas cada vez que use su aparato. Eso es importante, ya que su nuevo artefacto formará parte de su familia por mucho tiempo.

Por favor, escriba la siguiente información.

Número de modelo: _____
Número de serie: _____
Fecha de compra: _____

PRECAUCIÓN:

El conectar indebidamente el enchufe de conexión a tierra puede crear riesgos de incendio, descarga eléctrica y/o ocasionar lesiones a las personas que usen el aparato. Si tiene dudas sobre la debida conexión a tierra del aparato, consulte un representante de servicios calificado.

Si surgen problemas, comuníquese con un representante de servicio autorizado o llame a Danby a teléfono gratis:
TEL: 1-800-263-2629



Información de seguridad importante

LEA Y SIGA TODAS LAS INSTRUCCIONES DE SEGURIDAD

POR SU PROPIA SEGURIDAD: Antes de hacer funcionar esta unidad, lea detenidamente estas instrucciones.

PRECAUCIONES DE SEGURIDAD

- Antes de hacer funcionar la lavadora portátil, lea todas las instrucciones.
- No lave prendas que hayan sido limpiadas, lavadas, empapadas o manchadas con gasolina, productos disolventes de limpieza en seco, o sustancias inflamables o explosivas, pues estos pueden emanar vapores que podrían encenderse o explotar.
- No añada gasolina, productos disolventes de limpieza en seco, ni sustancias inflamables o explosivas al agua de lavado. Estas sustancias emanan vapores que podrían encenderse o explotar.
- En determinadas condiciones, los sistemas de tuberías de agua caliente que no hayan sido utilizados durante dos semanas o más, pueden producir gas hidrógeno. **EL GAS DE HIDRÓGENO ES EXPLOSIVO.** Si no ha sido utilizado el agua caliente del sistema por dicho tiempo, abra todos los grifos de agua caliente y deje correr el agua durante varios minutos, antes de usar la máquina de lavar. Con esto se eliminará el hidrógeno acumulado. Como el gas es inflamable, no fume ni encienda llamas desprotegidas durante ese tiempo.

PELIGRO

Puede ser una trampa para los niños. El riesgo de quedar atrapados o de asfixia no son cosas del pasado. Los aparatos domésticos abandonados siguen siendo peligrosos . . . aún cuando se “dejen sólo por algunos días en la cochera”.

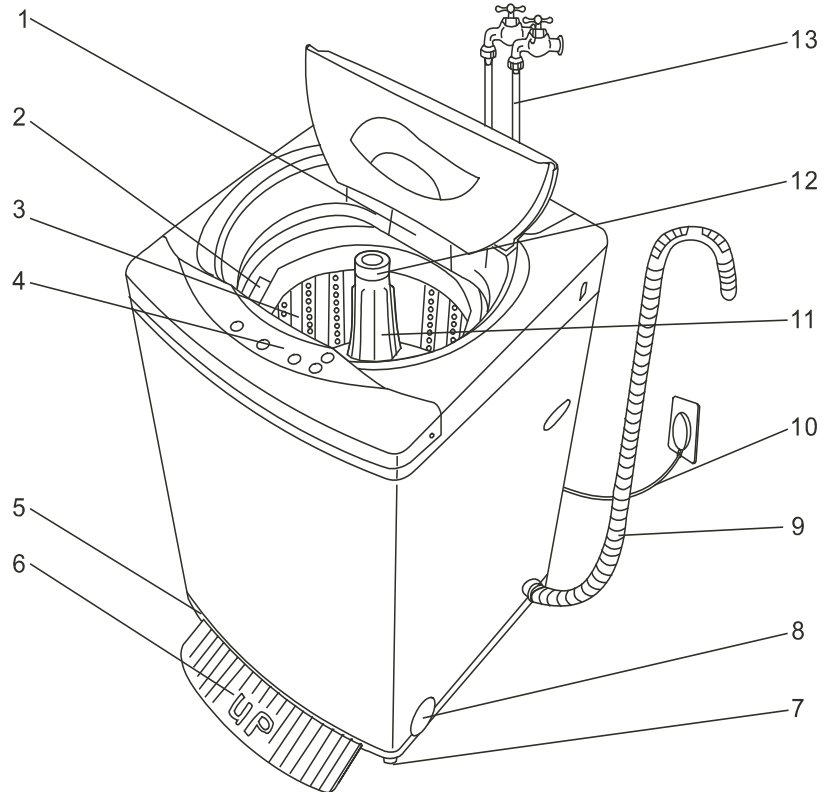
- Antes de deshacerse de su antigua lavadora portátil, quítele la tapa.
- Nunca deje que los niños usen o jueguen con la lavadora, ni que se metan en ella. Cuando use la lavadora cerca de los niños, es necesario que los supervise.
- No meta las manos en la lavadora cuando las aspas o el tambor estén en movimiento.
- No haga cambios indebidos en los controles.
- No repare ni cambie ninguna de las piezas ni intente darle servicio a menos que se recomiende específicamente en las instrucciones de mantenimiento para el usuario o en las instrucciones publicadas para reparación por el usuario.
- Nunca limpie las piezas de la lavadora con líquidos inflamables. Las emanaciones pueden crear el riesgo de incendio o explosión.
- No ponga la lavadora en habitaciones donde haya vapor ni en lugares donde quede directamente expuesta a la lluvia. La humedad puede destruir el aislamiento eléctrico, y crear el riesgo de descargas eléctricas.
- No guarde ni use gasolina u otros vapores o líquidos inflamables cerca de esta o de cualquier otra lavadora portátil. Las emanaciones pueden crear el riesgo de incendio o explosión.
- Si el cordón eléctrico está dañado, debe ser cambiado por el fabricante o su agente de servicios, o por una persona debidamente calificada con el fin de evitar riesgos.

Guarde estas instrucciones



Características y piezas

1. DEPÓSITO PARA EL DETERGENTE
2. RECIPIENTE PARA EL ENJUAGUE SUAVIZANTE
3. TAMBOR INTERIOR
4. TABLERO DE CONTROL
5. BASE
6. PLACA AISLANTE CONTRA EL RUIDO
7. PATA NIVELADORA
8. PERILLA DE REGULACIÓN DEL NIVEL
9. MANGUERA DE DESAGÜE (1 unidad)
10. CABLE DE SUMINISTRO ELÉCTRICO
11. AGITADOR DE ASPAS
12. FILTRO CONTRA LA PELUSA
13. MANGUERAS DE ENTRADA (2 unidades)



ACCESORIOS

MANGUERA	PLACA AISLANTE CONTRA EL RUIDO	CONECTOR
		
DE ENTRADA	1 UNIDAD	1 UNIDAD



Instrucciones de instalación

ANTES DE USAR LA LAVADORA PORTÁTIL



Retire el empaque de la parte exterior e interior.

Necesitará las siguientes herramientas:

- Llave inglesa
- Alicates
- Destornillador

Verifique que tenga todas estas piezas:

- 2 mangueras de entrada
- Adaptador para el grifo
- 1 placa aislante contra el ruido, con tornillos
- 4 rueditas
- Retire LA placa de sujeción para el transporte. **Nota** - Guárdela para volverla a utilizar cada vez que sea necesario mover o transportar la lavadora a otro lugar, a fin de evitar que se produzcan daños.
- Limpie la superficie interior con agua tibia y un paño suave.
- Deje un espacio libre de dos pulgadas a los lados y en la parte posterior del aparato.



Instrucciones de instalación

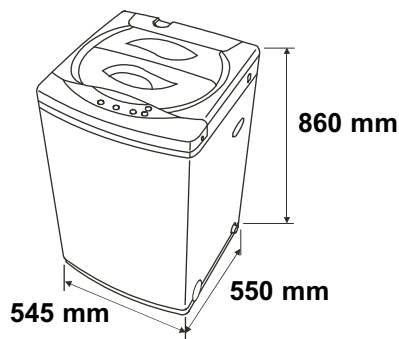
ANTES DE USAR LA LAVADORA PORTÁTIL (continuación)

- Ponga la ropa sucia en la lavadora y distribúyala uniformemente. La ropa que no está distribuida uniformemente puede producir ruido o vibración.
- No use agua demasiado caliente (a 50 °C o más) Las partes de plástico se pueden deformar o dañar. Además, la ropa se puede deformar o DESTENIR.
- Antes de lavar, revise todos los bolsillos. Si quedan uñas u horquillas para el pelo en los bolsillos, pueden dañar la lavadora o la ropa.
- Nunca salpique agua sobre el tablero de control.
- Conecte la lavadora únicamente en tomacorrientes correctamente instalados y con conexión a tierra.
- Nunca, bajo ninguna circunstancia, corte o quite la tercera pata (de puesta a tierra) del enchufe del cordón eléctrico. Cualquier pregunta acerca de la electricidad o de la conexión a tierra debe hacerla directamente a un electricista titulado.

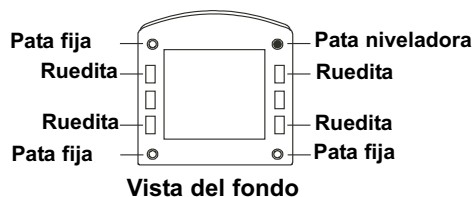
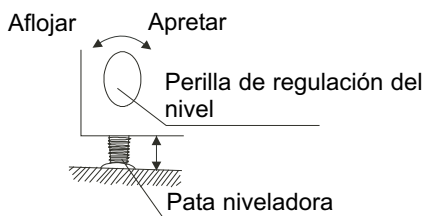
ELECCIÓN DEL LUGAR

Antes de instalar la lavadora debe elegir un lugar que reúna las siguientes características:

- Una superficie dura, bien nivelada (si la superficie está desnivelada, lea la sección titulada Cómo ajustar la pata niveladora).
- Alejado de la luz solar directa. La luz solar directa puede afectar el revestimiento de acrílico, las piezas de plástico y los componentes eléctricos.
- Ventilación adecuada.
- Alejado de las fuentes de calor, como el carbón o el gas. Verifique que la lavadora no esté pisando el cordón eléctrico. Las aberturas de ventilación no deben quedar obstruidas por la alfombra cuando la lavadora esté instalada sobre un piso alfombrado.



PATAS NIVELADORAS



Si el piso está desnivelado, regule la pata niveladora (no introduzca piezas de madera u otros objetos debajo de la pata).

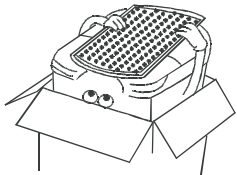

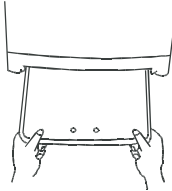
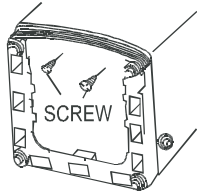
- Para aflojar la pata niveladora, gire la perilla de regulación del nivel con la mano hasta que quede a la altura deseada.
- Para apretar la pata niveladora, gire la perilla de regulación del nivel en la dirección opuesta.
- Coloque la lavadora sobre una superficie plana y resistente.
- Si la coloca sobre una superficie desnivelada o débil, se producirán ruidos o vibraciones (el margen de desnivel aceptable es de 1°).
- Los modelos portátiles a vienen con cuatro rueditas unidireccionales fáciles de instalar para acercarla o alejarla cómodamente del fregadero. Tienda la unidad sobre su parte posterior. Instale las rueditas en el fondo de la base, como se ilustra.
- Vuelva a colocar la unidad en posición vertical. Cuando esté ubicada para su funcionamiento, fije la pata niveladora a una altura ligeramente superior que la de la ruedita delantera, para evitar el movimiento de la máquina durante el lavado o el centrifugado.

NOTA: No es posible eliminar todos los movimientos, lo que es normal.



Instrucciones de instalación

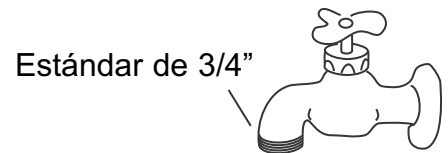
CÓMO INSTALAR LA PLACA AISLANTE CONTRA EL RUIDO

<p>Retire la placa aislante contra el ruido de la caja de embalaje.</p> 	<p>La abertura para la placa aislante contra el ruido está en la parte inferior de la lavadora.</p> 	<p>Introduzca la placa en la base de la lavadora.</p> 	<p>Tienda la lavadora sobre uno de sus lados y apriete los dos tornillos de presión para fijar la placa.</p> 
---	---	---	--

CONEXIÓN DE LA MANGUERA DE SUMINISTRO DE AGUA

GRIFO DE AGUA

Los grifos de suministro de agua deben ser los adecuados para acoplamientos hembra de tamaño estándar de 3/4" (19.05 mm) para manguera de jardín. No emplee conexiones a presión o de abrazadera.



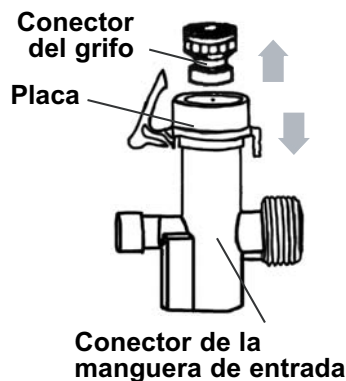
Nota: Consulte la sección sobre los requisitos para el suministro de agua antes de conectar las mangueras de entrada de agua.

- Si el suministro de agua tiene sólo una tubería (de agua fría o tibia), conecte la manguera de entrada al conector de agua fría de la válvula de mezcla de agua.

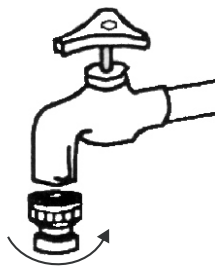
IMPORTANTE

En esta situación no puede no puede graduar la temperatura del agua en caliente.

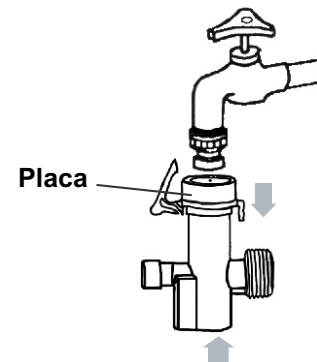
Sujete la placa del conector de la manguera de entrada de agua y desconecte el conector del grifo del de la manguera.



Enrosque el conector del grifo en el sentido de las agujas del reloj.



Sujete la placa y conecte el conector de la manguera de entrada al del grifo.



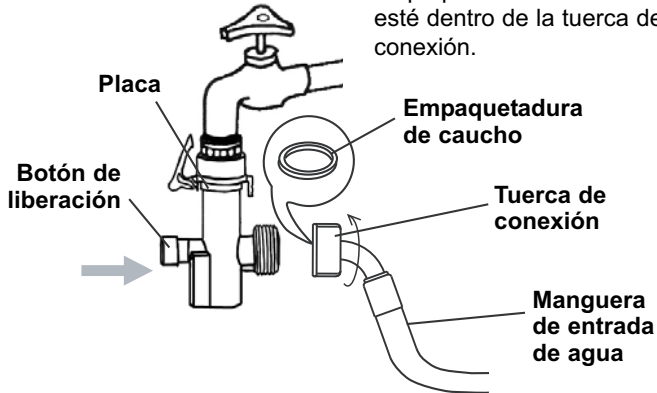


Instrucciones de instalación

CONEXIÓN DE LA MANGUERA DE SUMINISTRO DE AGUA

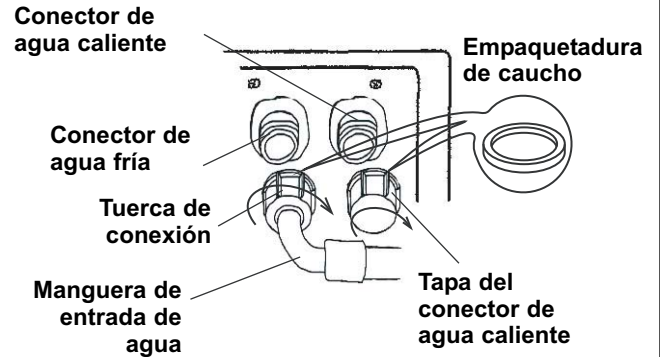
Conecte la manguera de entrada al conector girando la tuerca de conexión.

Verifique que la empaquetadura de caucho esté dentro de la tuerca de conexión.



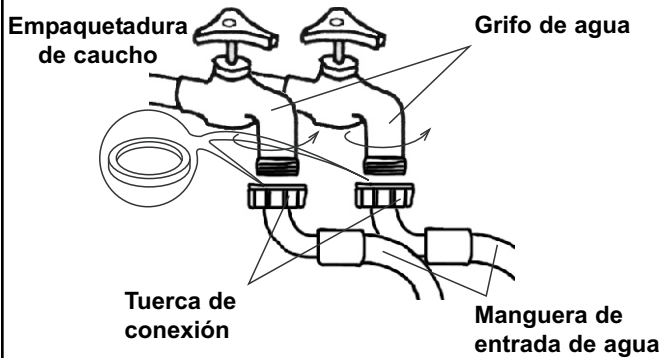
Para soltarlo, cierre el grifo de agua y oprima el botón para liberar la presión de agua, luego empuje la placa hacia abajo.

No desenrosque la tapa del conector de agua caliente ubicado en la válvula de mezcla de agua, luego conecte el otro extremo de la manguera de entrada de agua al conector de agua fría en la válvula de mezcla de agua girando la tuerca de conexión



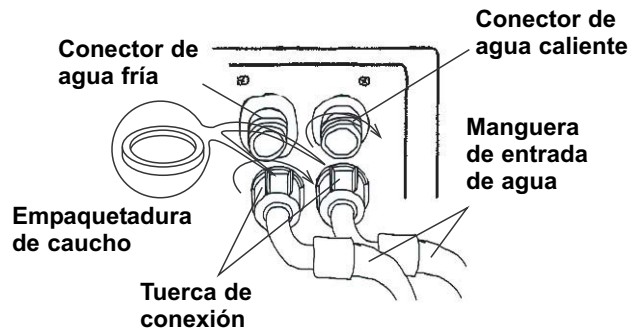
2 Si el suministro tiene tanto una tubería de agua fría como de agua caliente, conecte la manguera de entrada de agua fría a la tubería de agua fría y la otra a la de agua caliente.

Conecte la manguera de entrada de agua al conector girando la tuerca de conexión.



Para soltarlo, cierre el grifo de agua y encienda la lavadora para que funcione durante unos cinco minutos, luego desconecte las mangueras de entrada.

Desenrosque la tapa del conector de agua caliente ubicado en la válvula de mezcla de agua, luego conecte el otro extremo de las otras mangueras de entrada de agua en los conectores de la válvula de mezcla de agua girando la tuerca de conexión.



Nota:

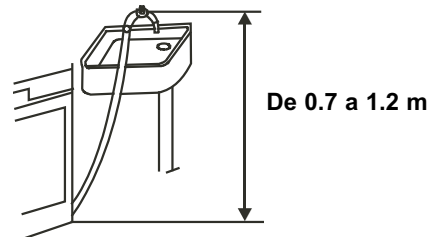
1. No apriete demasiado la tuerca para no robar la rosca y evitar que se rompa el codo de la conexión de entrada del agua.
2. Si el agua se filtra, debe examinar la tuerca para ver si tiene una empaquetadura de caucho.



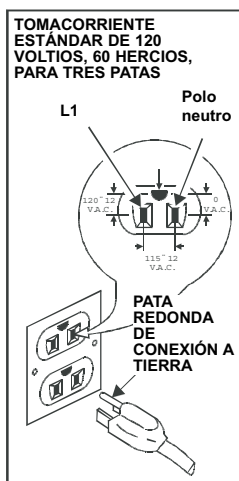
Instrucciones de instalación

UBICACIÓN DE LA MANGUERA DE DESAGÜE

Conecte la manguera de desagüe a la salida de agua de la lavadora, luego apriétela con una pinza de presión. Como la lavadora viene con drenaje tanto vertical como horizontal, la manguera de drenaje puede tenderse sobre el suelo o en una cubeta o bañera, siempre y cuando no quede a una distancia mayor que 70 cm (27").



CONSUMO DE ELECTRICIDAD



IMPORTANTE

El empleo indebido del enchufe con pata de puesta a tierra puede producir descargas eléctricas. Si el cordón eléctrico está dañado, hágalo cambiar en un técnico de servicios autorizado.

Por su propia seguridad, la lavadora debe estar debidamente conectada a tierra. A fin de evitar descargas eléctricas, el cordón eléctrico de esta lavadora trae un enchufe de tres patas que se puede conectar a cualquier tomacorriente normal para enchufes de tres patas.

Nunca, bajo ninguna circunstancia, corte o quite la tercera pata (de puesta a tierra) del enchufe del cordón eléctrico.

Para esta lavadora portátil se necesita un tomacorriente estándar de 120 voltios~/60 Hz, con orificio para pata de conexión a tierra.

Para evitar lesiones, el cordón debe quedar fijado detrás de la lavadora portátil y no debe quedar expuesto ni colgando.

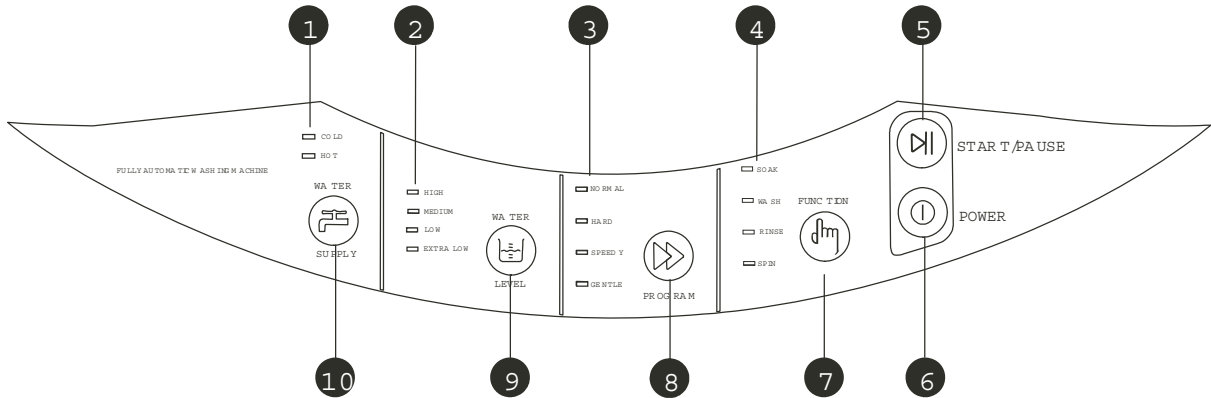
Nunca desenchufe la lavadora tirando del cordón. Siempre, para sacarlo del tomacorriente, agarre firmemente el enchufe y tire directamente de él.

No use un cordón de prolongación con este aparato. Si el cordón eléctrico es demasiado corto, pida a un electricista profesional o a un técnico de servicio que instale un tomacorriente cerca de la lavadora.



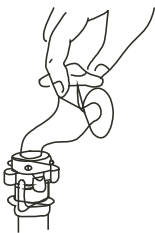
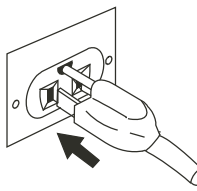
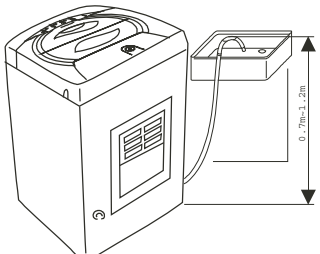
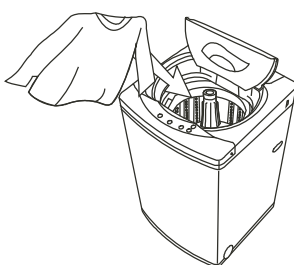
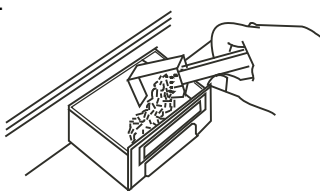
Instrucciones de funcionamiento

TABLERO DE CONTROL



- | | |
|---|--|
| 1. Indicador de la temperatura del agua | 6. Botón de encendido |
| 2. Indicador del nivel del agua | 7. Botón de elección de la función |
| 3. Indicador de elección del modo de lavado | 8. Botón de elección del lavado |
| 4. Indicador de elección del proceso | 9. Botón de elección del nivel del agua |
| 5. Botón de inicio/pausa | 10. Botón de elección de la temperatura del agua |

PREPARACIÓN

<p>1) Conecte la manguera de entrada y abra el grifo de agua. No encienda la electricidad si la presión del agua es menor que 0.05 Mpa y mayor que 0.5 Mpa.</p> <p>2) Abra el grifo.</p> 	<p>3) Meta el enchufe en el tomacorriente. Por razones de seguridad, el enchufe debe tener conexión a tierra.</p> 	<p>4) Introduzca el extremo de la manguera de desagüe en el gancho y cuélguela sobre el desagüe.</p> 
<p>5) Ponga la ropa en la lavadora y cierre la tapa.</p> <p>Si la tapa no está cerrada, la lavadora no funcionará.</p> 	<p>6) Vierta una cantidad adecuada de detergente en el depósito para el detergente.</p> 	



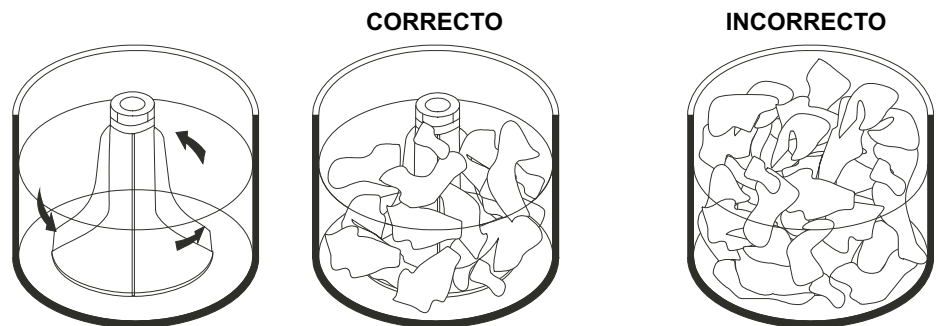
Instrucciones de funcionamiento

ANTES DE LAVAR

Prepare la carga de ropa. Mezcle prendas grandes y pequeñas en la carga para obtener mejores resultados en el lavado. Ponga las prendas sueltas dentro de la lavadora. No enrolle ni doble las prendas. Para mejores resultados en el lavado, las prendas deben poder moverse libremente en el agua de la lavadora. Deben enrollarse, hundirse y volver a aparecer.

Cuando lave prendas muy grandes, no llene la lavadora tanto como con otras cargas. El nivel del agua de la lavadora debe ser adecuado para el tamaño de la carga de ropa. Las cargas pequeñas se lavan con un menor nivel de agua. Debe haber suficiente agua en la lavadora para que las prendas se puedan mover y voltear libremente. Si recarga la lavadora las prendas podrían quedar mal lavadas y mal enjuagadas, y podrían arrugarse y desgarrarse.

NIVEL DEL AGUA



FUNCIONAMIENTO

Oprima el botón de encendido.

Oprima el botón de nivel del agua

Elija el nivel apropiado de agua para la cantidad de ropa que va a lavar, y el indicador correspondiente comenzará a encenderse y apagarse.

Elija la temperatura del agua

Oprima el botón de elección de la temperatura, puede elegir la entrada de agua (fría o caliente). Cuando el indicador de agua fría y el indicador de agua caliente se enciendan simultáneamente, significa que ha elegido agua tibia.

NOTA: La lavadora enjuagará una vez la ropa en agua fría automáticamente, en cualquier graduación de la TEMPERATURA.

IMPORTANTE: Los sistemas de suministro de agua fría de una sola tubería no permiten que la lavadora regule (o elija) automáticamente la temperatura del agua de entrada para igualarla a las indicadas en el tablero de control, como FRÍA o CALIENTE.

Oprima el botón de elección del programa

Elija el modo de programa apropiado según la cantidad de ropa que va a lavar, y el indicador correspondiente comenzará a encenderse y apagarse intermitentemente.

Oprima el botón de elección de la función.

Elija el grupo de funciones que desee, y el indicador correspondiente empezará a encenderse y apagarse intermitentemente.

Oprima una vez el botón de inicio/pausa y la lavadora empezará a funcionar.

Oprima este botón si desea detener el funcionamiento en modo normal; si la lavadora continúa funcionando, oprímalo de nuevo. Durante el lavado en modo normal se puede modificar el nivel del agua. Si elige un mayor nivel de agua, la máquina empezará a funcionar después de rellenar el agua.



Instrucciones de funcionamiento

FUNCIONES

Cada lavada se programa; vea los pormenores en la siguiente tabla:

	EMPAPAR	LAVAR	ENJUAGAR	CENTRIFUGAR
Normal	20 min.	12 min.	2 ciclos	5 min.
Fuerte	30 min.	12 min.	2 ciclos	5 min.
Rápido	10 min.	5 min.	1 ciclo	2.5 min.
Suave	10 min.	4 min.	2 ciclos	5 min.

Nota:

La ropa que se destiñe fácilmente debe lavarse por separado, para evitar que tiña a otras prendas.

- Si desea cambiar el programa que ha elegido, oprima una vez el botón de inicio/pausa, luego oprima el botón del programa y oprima de nuevo el botón de inicio/pausa para volver a poner la lavadora a funcionar.
- No use detergente cuando el programa de enjuagar y escurrir esté encendido.
- Si desea escurrir el agua durante el lavado, oprima el botón de inicio/pausa, luego elija el programa enjuagar y escurrir. Oprima nuevamente el botón de inicio/pausa para volver a poner la lavadora a funcionar.
- Si abre la tapa, se interrumpirá el funcionamiento en siete segundos; cuando vuelva a cerrarla continuará el funcionamiento.



Cuidado y mantenimiento

LIMPIEZA

- Limpie regularmente la superficie de la lavadora con un paño suave.
- Limpie el tambor de la lavadora, sobre todo inmediatamente después de haber lavado con lejía o haber lavado ropa almidonada.
- Limpie el filtro de la válvula de entrada de la manguera de entrada, para evitar que se obstruya.

1. Desconecte el cordón eléctrico.

2. Retire la manguera de entrada y limpie el filtro con un cepillo.

- Limpie regularmente la superficie de la lavadora con un paño suave.
- Limpie regularmente el tambor de la lavadora, sobre todo inmediatamente después de haber lavado con lejía o haber lavado ropa almidonada.

- Limpie el filtro para la pelusa.

Introduzca el bastidor del filtro en el agitador de aspas en la posición en que estaba colocado.

Voltee el filtro al revés y lávelo para quitarle la pelusa.

Retire el bastidor del filtro tirando de él hacia arriba.

- Vacaciones

1. Cierre el grifo de agua, retire la manguera de entrada y deje que el agua se escurra de la manguera.

2. Gradúe el ciclo de centrifugado para que funcione durante 1 minuto.

3. Desconecte el cordón eléctrico.



Resolución de fallas

De vez en cuando se pueden presentar problemas menores, que no requieren tener que llamar para solicitar servicio. Use esta guía de solución de problemas para tratar de resolverlos. Si la unidad continúa funcionando inadecuadamente, llame a un centro autorizado de servicio o al número gratuito de Danby, **1-800-263-2629** para solicitar asistencia.

PROBLEMA	POSIBLE CAUSA
La lavadora no funciona.	No está enchufada. El disyuntor de circuito se disparó o hay un fusible quemado. La tapa no está cerrada. Verifique que el suministro de agua esté abierto.
No hay suministro de agua o es insuficiente.	El grifo del suministro de agua no está abierto. El agua de la manguera de suministro está congelada. La manguera de entrada de agua está doblada. El filtro de la manguera de suministro de agua está obturado.
La lavadora no se desagua.	La manguera de drenaje está aplastada o doblada. El filtro de malla de la manguera de agua está obstruido.
La lavadora vibra o hace demasiado ruido.	Verifique que la lavadora esté bien nivelada. La lavadora está tocando otro objeto. La carga de ropa sucia no está bien distribuida.
La lavadora no funciona en el ciclo de centrifugado.	La tapa no está cerrada. La lavadora no está sobre una superficie nivelada.



GARANTÍA LIMITADA PARA ELECTRODOMESTICO

Este producto de calidad está garantizado contra defectos de fabricación, incluyendo partes y mano de obra, siempre y cuando la unidad se utilice bajo las condiciones normales de funcionamiento para las que fue diseñado.

Esta garantía está solamente disponible para la persona que haya comprado originalmente esta unidad directamente de Danby Products Limited (Canada) o Danby Products Inc. (U.S.A.) (en adelante "Danby") o uno de sus distribuidores autorizados, y no es transferible.

CONDICIONES DE LA GARANTÍA

Las piezas plásticas, se autorizan por treinta (30) días solamente a partir de la fecha de la compra, sin las extensiones proporcionadas.

Primeros 12 Meses Durante los primeros 12 meses, cualquier parte en buen estado de este producto que resulte defectuosa, incluyendo cualquier sistema sellado, será reparado o reemplazado, a opción del fabricante, sin cargo para el comprador ORIGINAL.

Para obtener Servicio Danby se reserva el derecho de limitar la cobertura de "Servicio en Domicilio" sujeto a la proximidad de un Taller de Servicio Autorizado. Para todo artefacto que requiera servicio fuera del área limitada de "Servicio en Domicilio", el cliente será responsable por transportar dicho artefacto hasta el Taller de Servicio Autorizado más cercano. Consulte "Límites del servicio técnico a domicilio", a continuación. Comuníquese con el distribuidor donde haya comprado la unidad, o llame al Taller de Servicio Autorizado más cercano, donde debe ser reparada por un técnico calificado. Si esta unidad es reparada en otro lugar que no sea un Taller de Servicio Autorizado, o si la unidad se utiliza para aplicaciones comerciales, Danby no se hará responsable de ninguna forma y la garantía será anulada.

Límites del servicio técnico a domicilio Si el electrodoméstico está instalado en un lugar que se encuentra a 100 kilómetros (62 millas) o más del centro de servicios más cercano, se debe llevar la unidad al Centro de servicios Danby autorizado más cercano, ya que dicho servicio sólo puede realizarlo un técnico calificado y certificado por Danby para prestar servicios de garantía. Los cargos por transporte desde y hacia el lugar en que se efectúe el servicio técnico no están cubiertos por esta garantía y son de responsabilidad del comprador.

Nada dentro de esta garantía implica que Danby será responsable por cualquier daño que hayan sufrido los alimentos u otros contenidos de este aparato, ya sea debido a un defecto del aparato, o su uso, adecuado o inadecuado.

EXCLUSIONES

Salvo lo aquí indicado por Danby, no existen otras garantías, condiciones o representaciones, explícitas o implícitas, concretas o intencionales por parte de Danby o sus distribuidores autorizados y todas las demás garantías, condiciones o representaciones, incluyendo cualquier garantía, condiciones o representaciones bajo cualquier Acta de Venta de Productos o legislación o estatuto similar, quedan de esta forma expresamente excluidas. Salvo lo aquí indicado, Danby no serán responsables por ningún daño a personas o bienes, incluyendo la propia unidad, sin importar su causa, o de ningún daño indirecto causado por el desperfecto de la unidad, y al comprar esta unidad, el comprador acepta por la presente, indemnizar y proteger a Danby contra cualquier reclamo por daños a personas o bienes causados por la unidad.

CONDICIONES GENERALES

No se considerará ninguna de estas garantías o seguros cuando el daño o la necesidad de reparación sea el producto de los siguientes casos:

- 1) Falla del suministro eléctrico.
- 2) Daños en tránsito o durante el transporte de la unidad.
- 3) Alimentación incorrecta, como bajo voltaje, instalación eléctrica defectuosa o fusibles inadecuados.
- 4) Accidente, modificación, abuso o uso incorrecto del artefacto, tal como insuficiente ventilación del ambiente o condiciones de operación anormales (temperatura ambiente extremadamente alta o baja).
- 5) Utilización comercial o industrial (v.g., si el electrodoméstico no está instalado en una vivienda particular).
- 6) Incendio, daños por agua, robo, guerra, disturbios, hostilidades, actos de fuerza mayor como huracanes, inundaciones, etc.
- 7) Pedidos de servicio debido a desinformación del usuario.
- 8) Instalación inadecuada (v.g., instalación empotrada de un electrodoméstico diseñado como unidad independiente o uso de un electrodoméstico al aire libre que no esté aprobado para dicho fin).

Para acceder a la garantía se solicitará un comprobante de compra; por lo tanto, guarde su recibo. En caso de necesitar servicio de garantía, presente ese documento al TALLER DE SERVICIO AUTORIZADO.

Servicio de Garantía
Servicio en Domicilio

Danby Products Limited
PO Box 1778, Guelph, Ontario, Canada N1H 6Z9
Telephone: (519) 837-0920 FAX: (519) 837-0449

1-800-263-2629

Danby Products Inc.
PO Box 669, Findlay, Ohio, U.S.A. 45840
Telephone: (419) 425-8627 FAX: (419) 425-8629



PORTABLE WASHING MACHINE

The model number can be found on the serial plate located on the back panel of the unit.

All repair parts are available for purchase or special order when you visit your nearest service depot. To request service and/or the location of the service depot nearest you, call the TOLL FREE NUMBER.

When requesting service or ordering parts, always provide the following information:

- **Product Type**
- **Model Number**
- **Part Number**
- **Part Description**

LAVADORA DE CARGA SUPERIOR

El número de modelo se puede encontrar en la placa serial situada en el panel trasero de la unidad.

Todas las piezas de reparación disponibles para la compra o la orden especial cuando usted visita su depósito más cercano del servicio. Para pedir servicio y/o la localización del depósito del servicio lo más cerca posible usted, llame Danby gratis.

Al pedir servicio o pidiendo piezas, proporcione siempre la información siguiente:

- **Tipo de Producto**
- **Número de Modelo**
- **Pieza número**
- **Descripción de la Parte**

LAVEUSE À CHARGEMENT SUPERIEUR

Le numéro de modèle se trouve sur la plaque d'information sur le panneau arrière de l'appareil.

Toutes les pièces de rechange ou commandes spéciales sont disponibles à votre centre de service régional autorisé. Pour obtenir le service et/ou la localité de votre centre de service régional, signalez le NUMÉRO D'APPEL SANS FRAIS.

Ayez les renseignements suivants à la portée de la main lors de la commande de pièce ou service:

- **Type de produit**
- **Numéro de modèle**
- **Numéro de pièce**
- **Description de la pièce**



Model • Modèle
DWM17WDB