

Danby[®] *Designer*

- REFRIGERATOR
- RÉFRIGÉRATEUR

Owner's Use and Care Guide
Guide d'utilisation et d'entretien du propriétaire

Model • Modèle
DFF177A1WDD



W10668414A

TABLE OF CONTENTS

SAFETY	2	CARING FOR YOUR REFRIGERATOR	9
INSTALLING YOUR REFRIGERATOR	3	Cleaning	9
Unpacking.....	3	Changing the Light Bulbs	9
Location Requirements	3	Power Interruptions	9
Electrical Requirements	4	Vacation and Moving Care.....	10
Refrigerator Door.....	4	PROBLEM SOLVER	10
Refrigerator Leveling and Door Closing.....	6	Refrigerator Operation.....	10
Normal Sounds.....	6	WARRANTY	12
OPERATING YOUR REFRIGERATOR	7		
Ensuring Proper Air Circulation	7		
Using the Control.....	7		
Refrigerator Features	8		

SAFETY

Your safety and the safety of others are very important.

We have provided many important safety messages in this manual and on your appliance. Always read and obey all safety messages.



This is the safety alert symbol.

This symbol alerts you to potential hazards that can kill or hurt you and others.

All safety messages will follow the safety alert symbol and either the word “DANGER” or “WARNING.”

These words mean:

⚠ DANGER

You can be killed or seriously injured if you don't immediately follow instructions.

⚠ WARNING

You can be killed or seriously injured if you don't follow instructions.

All safety messages will tell you what the potential hazard is, tell you how to reduce the chance of injury, and tell you what can happen if the instructions are not followed.

IMPORTANT SAFETY INSTRUCTIONS

WARNING: To reduce the risk of fire, electric shock, or injury when using your refrigerator, follow these basic precautions:

- Plug into a grounded 3 prong outlet.
- Do not remove ground prong.
- Do not use an adapter.
- Do not use an extension cord.
- Disconnect power before servicing.
- Replace all parts and panels before operating.
- Remove doors from your old refrigerator.
- Use nonflammable cleaner.
- Keep flammable materials and vapors, such as gasoline, away from refrigerator.
- Use two or more people to move and install refrigerator.

SAVE THESE INSTRUCTIONS

State of California Proposition 65 Warnings:

WARNING: This product contains one or more chemicals known to the State of California to cause cancer.

WARNING: This product contains one or more chemicals known to the State of California to cause birth defects or other reproductive harm.

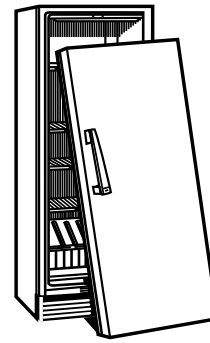
PROPER DISPOSAL OF YOUR OLD FREEZER OR REFRIGERATOR

⚠️ WARNING

Suffocation Hazard

Remove doors or lid from your old freezer or refrigerator.

Failure to do so can result in death or brain damage.



IMPORTANT: Child entrapment and suffocation are not problems of the past. Junked or abandoned freezers or refrigerators are still dangerous... even if they will sit for “just a few days.” If you are getting rid of your old refrigerator or freezer, please follow these instructions to help prevent accidents.

Before You Throw Away Your Old Freezer or Refrigerator:

- Take off the doors or lid.
- Leave the shelves in place so that children may not easily climb inside.

Important information to know about disposal of refrigerants:

Dispose of refrigerator in accordance with Federal and Local regulations. Refrigerants must be evacuated by a licensed, EPA certified refrigerant technician in accordance with established procedures.

INSTALLING YOUR REFRIGERATOR

Unpacking

⚠️ WARNING

Excessive Weight Hazard

Use two or more people to move and install refrigerator.

Failure to do so can result in back or other injury.

Remove Packaging Materials

- Remove tape and glue residue from surfaces before turning on the refrigerator. Rub a small amount of liquid dish soap over the adhesive with your fingers. Wipe with warm water and dry.
- Do not use sharp instruments, rubbing alcohol, flammable fluids, or abrasive cleaners to remove tape or glue. These products can damage the surface of your refrigerator. For more information, see the “Safety” section.
- To remove the transparent film that is on the nameplate, use your fingernail and peel off the film, starting from one side and peeling to the other.

When Moving Your Refrigerator:

Your refrigerator is heavy. When moving the refrigerator for cleaning or service, be sure to cover the floor with cardboard or hardboard to avoid floor damage. Always pull the refrigerator straight out when moving it. Do not wiggle or “walk” the refrigerator when trying to move it, as floor damage could occur.

Clean Before Using

After you remove all of the packaging materials, clean the inside of your refrigerator before using it. See the cleaning instructions in “Caring For Your Refrigerator.”

Important information to know about glass shelves and covers:

Do not clean glass shelves or covers with warm water when they are cold. Shelves and covers may break if exposed to sudden temperature changes or impact, such as bumping. Tempered glass is designed to shatter into many small, pebble-size pieces. This is normal. Glass shelves and covers are heavy. Use both hands when removing them to avoid dropping.

Location Requirements

⚠️ WARNING



Explosion Hazard

Keep flammable materials and vapors, such as gasoline, away from refrigerator.

Failure to do so can result in death, explosion, or fire.

Ventilation and Clearance

- Keep flammable materials and vapors, such as gasoline, away from refrigerator.

- Do not cover the refrigerator with items such as blankets, sheets, tablecloths, etc. This reduces air circulation.
- Allow at least 1" (2.5 cm) between the back of the refrigerator and the wall. If the refrigerator is to be against a wall, leave extra space on the hinge side so the door can open wider.

Temperature


Your refrigerator operates most efficiently when located in an area where the temperature will not fall below 40°F (5°C). Place your refrigerator in a location where the temperature will not fall below this recommended temperature.

Upon Moving to Final Location

NOTE: Allow for a 1" (2.54 cm) space behind the refrigerator and a ¼" (6.4 mm) clearance between the appliances.

Electrical Requirements

⚠ WARNING



Electrical Shock Hazard

Plug into a grounded 3 prong outlet.

Do not remove ground prong.

Do not use an adapter.

Do not use an extension cord.

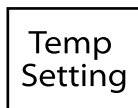
Failure to follow these instructions can result in death, fire, or electrical shock.

Before you move your refrigerator into its final location, it is important to make sure you have the proper electrical connection.

Recommended Grounding Method

A 115 Volt, 60 Hz., AC only, 15- or 20-amp fused, grounded electrical supply is required. It is recommended that a separate circuit serving only your refrigerator be provided. Use an outlet that cannot be turned off by a switch. Do not use an extension cord.

NOTE: Before performing any type of installation, cleaning, or removing a light bulb, press and hold TEMP SETTING for 3 seconds to turn off cooling, and then disconnect the refrigerator from the electrical source.



Cooling On/Off
Hold 3 Sec

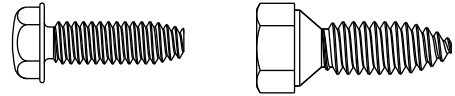
Refrigerator Door

Tools Needed: 5/16" hex-head socket wrench, 3/8" hex-head socket wrench, Phillips screwdriver, flat 2" putty knife.

IMPORTANT:

- All graphics referenced in the following instructions are included later in this section after "Final Steps." The graphics shown are for a right-hand swing door (hinges factory installed on the right).
- If you only want to remove and replace the door, see the "Remove Door and Hinges" and "Replace Door and Hinges."
- Before you begin, press TEMP SETTING for 3 seconds to turn off cooling, and remove food and adjustable door or utility bins from door.

Remove Door and Hinges



Hex-head hinge screws

1. Unplug refrigerator or disconnect power.
2. Keep the refrigerator door closed until you are ready to lift it free from the cabinet.

NOTE: Provide additional support for the door while the hinges are being moved. Do not depend on the door magnets to hold the door in place while you are working.
3. Remove the parts for the top hinge as shown in Top Hinge graphic.
4. Lift the refrigerator door free from the bottom hinge and cabinet and set aside.
5. Remove four hex-head hinge screws and bottom hinge assembly. See Bottom Hinge graphic.

Reverse Door (optional on some models)

IMPORTANT: If you want to reverse your door so that it opens in the opposite direction, continue with "Reverse Door (optional on some models)" instructions. If you are not reversing the door, see "Replace Door and Hinges."

Cabinet

1. Remove the cabinet hinge hole plugs from the cabinet top and move them to the opposite side hinge holes as shown in Graphic 2.
2. Remove the bottom hinge pin from the hinge bracket.
3. Remove the decals covering the holes on the opposite side of the bottom hinge.
4. Reinstall the bottom hinge pin in the alternate hole in the hinge bracket. See Graphic 3.
5. Reinstall the hinge bracket to the cabinet with the four hex-head hinge screws.

Door

1. Remove the hinge hole plug from the top of the door.
2. Remove the door stop from the bottom of the door.
3. Move the door stop to the opposite side making sure that the hole in the door stop bracket is aligned perfectly with the hole in the door for the bottom hinge pin.
4. Using the screws removed in Step 2, fasten the door stop bracket to the bottom of the door.
5. Tighten all screws. Set aside the door until the bottom hinge is in place.

Handle

Move the door handle from one side of the door to the other.

1. Loosen setscrews located on side of handle at each end. See Graphic 1.
2. Remove handle from grommets.
3. Using a Phillips screwdriver, remove the grommets from the door.
4. Position the grommets on the opposite side of the door and reinstall.
5. Position the handle over grommets on the opposite side of the refrigerator door.
6. Ensure grommets are fitted into handle holes.
7. Tighten the upper and lower setscrews with hex key provided. Do not overtighten setscrews.

Replace Door and Hinges

NOTE: Graphic may be reversed if door swing is reversed.

1. Replace the parts for the bottom hinge as shown and tighten screws. See Bottom Hinge graphic. Replace the refrigerator door.

NOTE: Provide additional support for the door while the hinges are being moved. Do not depend on the door magnets to hold the door in place while you are working.

2. Assemble the parts of the top hinge as shown in the Top Hinge graphic. Do not tighten the screws completely.

Final Steps

1. Check all holes to make sure that hole plugs and screws are in place. Reinstall top hinge cover. See Top Hinge graphic.

⚠ WARNING



Electrical Shock Hazard

Plug into a grounded 3 prong outlet.

Do not remove ground prong.

Do not use an adapter.

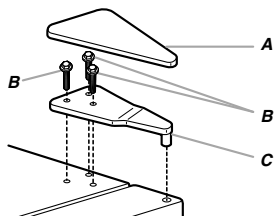
Do not use an extension cord.

Failure to follow these instructions can result in death, fire, or electrical shock.

2. Plug into a grounded 3 prong outlet.
3. Reset the control. See "Using the Control."
4. Return all removable door parts to door and food to refrigerator.

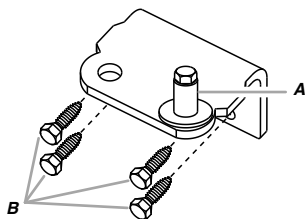
Door Removal & Replacement

Top Hinge



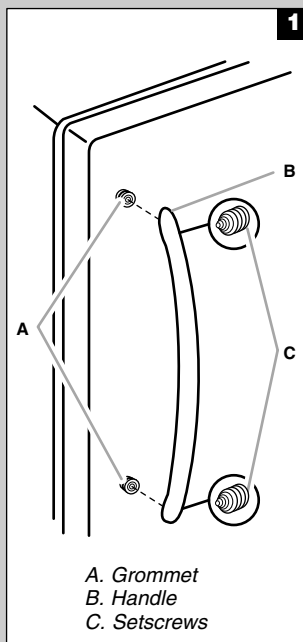
- A. Top Hinge Cover
- B. $\frac{5}{16}$ " Hex-Head Hinge Screws
- C. Top Hinge

Bottom Hinge

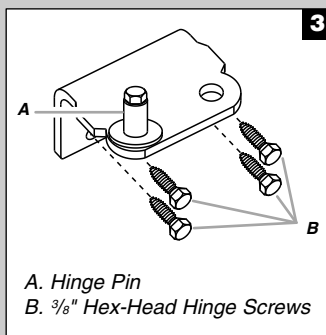


- A. Hinge Pin
- B. $\frac{3}{8}$ " Hex-Head Hinge Screws

Door Swing Reversal and Handle Removal (optional)



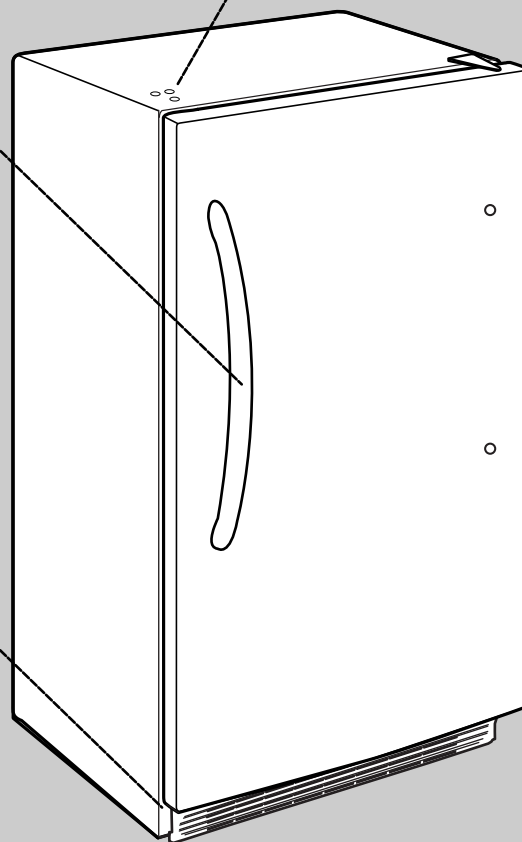
- A. Grommet
- B. Handle
- C. Setscrews



- A. Hinge Pin
- B. $\frac{3}{8}$ " Hex-Head Hinge Screws



- A. Cabinet Hinge Hole Plugs



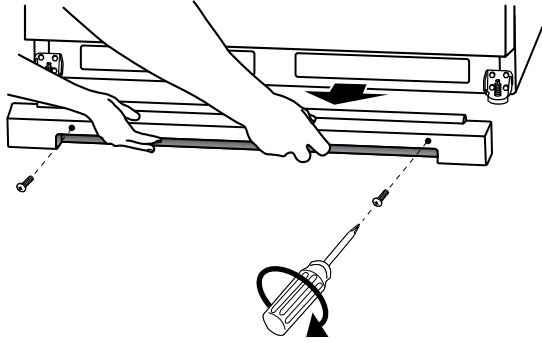
Refrigerator Leveling and Door Closing

Your refrigerator has two front adjustable legs, one on each side. The back of the refrigerator rests on two fixed rollers. The base grille covers the adjustable brake feet and roller assemblies located at the bottom of the refrigerator below the refrigerator door. Before making any adjustments, remove the base grille and move the refrigerator to its final location.

Tools Needed: 1/4" hex driver, Phillips head screwdriver

1. Remove the base grille screws. Grasp the grille firmly and pull it toward you. Open the refrigerator door to access the brake feet.

NOTE: To allow the refrigerator to roll more easily, raise the brake feet by turning them counterclockwise. The front rollers will be touching the floor.



2. Move the refrigerator to its final location.
3. Lower the brake feet, by turning them clockwise, until the rollers are off the floor and both brake feet are snug against the floor. This keeps the refrigerator from rolling forward when you are opening the refrigerator door.

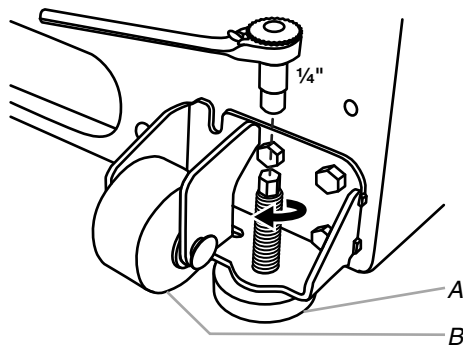
IMPORTANT: If you need to make further adjustments involving the brake feet, you must turn both brake feet the same amount to keep the refrigerator level.

4. Make sure the door closes easily. If you are satisfied with the door opening and closing, skip the next section. If, however, the door does not close easily or the door pops open, adjust the tilt.

To Adjust the Cabinet Tilt:

NOTE: Having someone push against the top of the refrigerator takes some weight off the brake feet. This makes it easier to turn them.

- Open the refrigerator door. Use a 1/4" hex driver to turn both brake feet clockwise the same amount. This will raise the front of the refrigerator. It may take several turns to allow the door to close more easily.



A. Brake foot
B. Front roller

5. Make sure the refrigerator is steady. If the refrigerator seems unsteady or rolls forward when the door is pulled open, adjust the brake feet.

To Steady the Refrigerator:

- Open the refrigerator door. Using a 1/4" hex driver, turn both brake feet clockwise the same amount until the brake feet are snug against the floor. Check again. If not satisfied, continue to adjust the brake feet by half turns of the screw until the refrigerator does not roll forward when the door is opened.
6. Replace the base grille by aligning the ends of the grille with the leveling assemblies on each side and snapping the grille into place. Reinstall the Phillips screws.

Normal Sounds

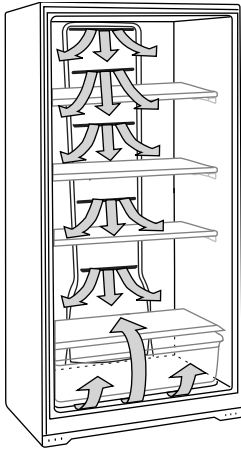
Your new refrigerator may make sounds that your old one didn't make. Because the sounds are new to you, you might be concerned about them. Most of the new sounds are normal. Hard surfaces, like the floor, walls, and cabinets, can make the sounds seem louder. The following describes the kinds of sounds and what may be making them.

- Your refrigerator is designed to run more efficiently to keep your food items at the desired temperatures and to minimize energy usage. The high efficiency compressor and fans may cause your refrigerator to run longer than your old one. You may also hear a pulsating or high-pitched sound from the compressor or fans adjusting to optimize performance.
- You may hear the evaporator fan motor circulating air through the refrigerator compartment. The fan speed may increase as you open the doors or add warm food.
- Rattling noises may come from the flow of refrigerant or items stored on top of the refrigerator.
- Water dripping on the defrost heater during a defrost cycle may cause a sizzling sound.
- As each cycle ends, you may hear a gurgling sound due to the refrigerant flowing in your refrigerator.
- Contraction and expansion of the inside walls may cause a popping noise.
- You may hear air being forced over the condenser by the condenser fan.
- You may hear water running into the drain pan during the defrost cycle.

OPERATING YOUR REFRIGERATOR

Ensuring Proper Air Circulation

In order to ensure proper temperature, you need to permit proper airflow in the refrigerator. As shown in the illustration, cool air enters from the refrigerator wall and moves down. The air then recirculates through the vent near the bottom.



Do not block any of these vents with food packages. If the vents are blocked, airflow will be restricted, and temperature and moisture problems may occur.

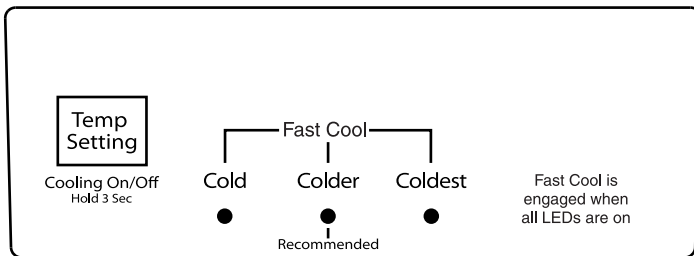
IMPORTANT: To avoid odor transfer and drying out of food, wrap or cover foods tightly.

Using the Control

The temperature control is located at the top front of the refrigerator compartment

Temperature Control

For your convenience, the temperature control is preset at the factory. When you first install your refrigerator, check that the control is still set to the recommended setting as shown.



Recommended Setting "Colder"

IMPORTANT:

- The recommended setting is designed to maintain the temperature at or near 37°F (3°C) under normal operating conditions.
- Wait 24 hours before you put food into the refrigerator. If you add food before the refrigerator has cooled completely, your food may spoil.

NOTE: Adjusting the temperature set point to a colder than recommended setting will not cool the refrigerator any faster.

- If the temperature is too warm or too cold in the refrigerator, first check the air vents to be sure they are not blocked before adjusting the control.
- The preset temperature setting should be correct for normal household usage. The control is set correctly when milk or juice is as cold as you like.
- When the refrigerator is first started, the compressor will run constantly until the refrigerator is cooled. It may take up to 6 or 8 hours (or longer), depending on room temperature and number of times the refrigerator door is opened. After the refrigerator is cooled, the compressor will turn on and off as needed to keep the refrigerator at the proper temperature.
- The outside of your refrigerator may feel warm. This is normal. The refrigerator's design and main function is to remove heat from packages and airspace inside the refrigerator. The heat is transferred to the room air, making the outside of the refrigerator feel warm.

Adjusting Control

If you need to adjust the temperature in the refrigerator compartment, press the TEMP SETTING button to display the desired temperature setting from Cold to Coldest.

NOTE: Except when starting the refrigerator, do not adjust the control more than one setting at a time. Wait 24 hours between adjustments for the temperature to stabilize.

Cooling On/Off

Your refrigerator will not cool when cooling is turned off.

To turn cooling off, press and hold the TEMP SETTING button for 3 seconds. In the off condition, none of the lights on the control panel will be illuminated. The main refrigerator light bulb will still operate.

To turn cooling on, press and hold the TEMP SETTING button for 3 seconds. When cooling is on, the control panel lights will be illuminated.

Fast Cool

Use this feature to assist with periods of high refrigerator use, full grocery loads or temporarily warm room temperature.

To activate Fast Cool, press the TEMP SETTING button until all the LED positions are illuminated simultaneously.

The refrigerator will remain in the Fast Cool setting for 24 hours after the extra-low temperature is reached. Once the time has expired, the refrigerator will return to the previous temperature setting. Fast Cool may be manually turned off by pressing the TEMP SETTING button to select the desired temperature setting from Cold to Coldest.

Refrigerator Features

Important information to know about glass shelves and covers:

Do not clean glass shelves or covers with warm water when they are cold. Shelves and covers may break if exposed to sudden temperature changes or impact, such as bumping. Tempered glass is designed to shatter into many small, pebble-size pieces. This is normal. Glass shelves and covers are heavy. Use both hands when removing them to avoid dropping.

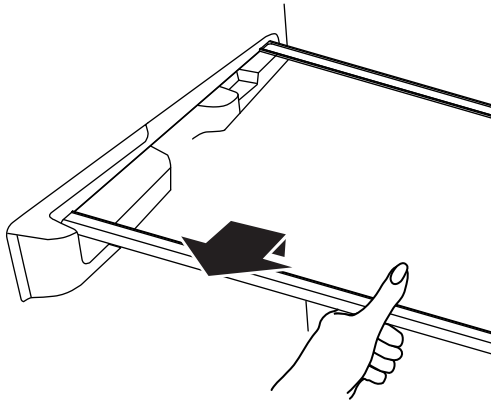
This manual covers several different models. The refrigerator you have purchased may have some or all of the items listed. The locations of the features may not match those of your model.

Refrigerator Shelves

Store similar foods together and adjust the shelves to fit different heights. This reduces the time the refrigerator door is open and saves energy.

To Remove and Replace a Shelf:

1. Remove the shelf by lifting straight up, and pulling the shelf out.



2. Replace the shelf by lowering the shelf onto the supports on the side wall.

Crispers and Meat Drawers

To Remove and Replace a Drawer:

1. Slide drawer straight out to the stop. Lift the front of the drawer and slide it out the rest of the way.
2. Replace a drawer by sliding it back in fully past the stop.

Meat Storage Guide

Store most meat in original wrapping as long as it is airtight and moisture-proof. Rewrap if necessary. See the following chart for storage times. When storing meat longer than the times given, freeze the meat.

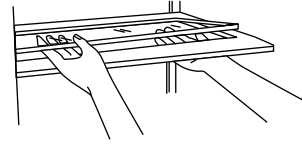
Fresh fish or shellfish	use same day as purchased
Chicken, ground beef, variety meats (liver).....	1-2 days
Cold cuts, steaks/roasts.....	3-5 days
Cured meats	7-10 days

Leftovers - Cover leftovers with plastic wrap, aluminum foil, or place in containers with tight fitting lids.

Crisper Cover

To Remove the Crisper(s) Cover:

1. Remove crisper(s). Hold the glass insert firmly with one hand and press up in the center of the glass insert until it rises above the plastic frame. Slowly slide the glass insert forward to remove.
2. Lift the cover frame and remove it.



To Replace Crisper Cover:

1. Fit the back of the cover frame into the supports on the side walls of the refrigerator. Lower the front of the cover frame into place.
2. Slide the rear of the glass insert into the cover frame and lower the front into place.

Crisper Humidity Control (on some models)

You can adjust the amount of humidity in the moisture-sealed crisper using the settings between “+” and “-”.

“-” (open) lets moist air out of the crisper for best storage of fruits and vegetables with skins.

- Fruit: Wash, let dry and store in refrigerator in plastic bag in crisper. Do not wash or hull berries until they are ready to use. Sort and keep berries in original container in crisper.
- Vegetables with skins: Place in plastic bag or plastic container and store in crisper.

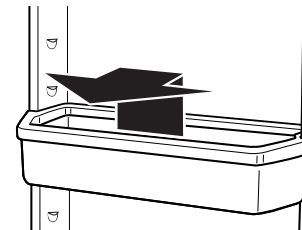
“+” (closed) keeps moist air in the crisper for best storage of fresh, leafy vegetables.

- Leafy vegetables: Wash in cold water, drain and trim or tear off bruised and discolored areas. Place in plastic bag or plastic container and store in crisper.

Door Bin

To Remove and Replace the Bin:

1. Remove the bin by tipping the front of the bin forward and sliding out.
2. Replace the bin by sliding it in above the desired support, and then tilting it back into place.



CARING FOR YOUR REFRIGERATOR

Cleaning

⚠ WARNING



Explosion Hazard

Use nonflammable cleaner.

Failure to do so can result in death, explosion, or fire.

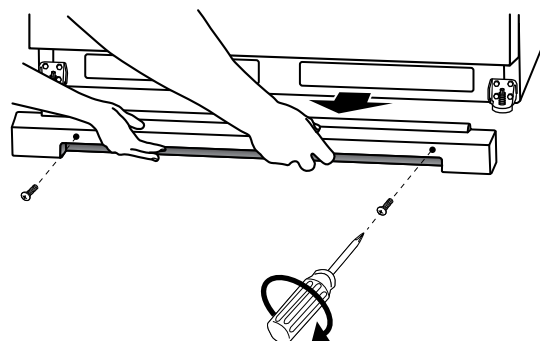
Clean the refrigerator about once a month to keep odors from building up. Wipe up spills immediately.

To Clean Your Refrigerator:

1. Press and hold TEMP SETTING for 3 seconds to turn off cooling.
2. Unplug refrigerator or disconnect power.
3. Remove all removable parts from inside, such as shelves, crispers, etc.
4. Hand wash, rinse, and dry removable parts and interior surfaces thoroughly. Use a clean sponge or soft cloth and a mild detergent in warm water.
 - Do not use abrasive or harsh cleaners such as window sprays, scouring cleansers, flammable fluids, cleaning waxes, concentrated detergents, bleaches or cleansers containing petroleum products on plastic parts, interior and door liners or gaskets. Do not use paper towels, scouring pads, or other harsh cleaning tools. These can scratch or damage materials.
 - To help remove odors, you can wash interior walls with a mixture of warm water and baking soda (2 tbs to 1 qt [26 g to 0.95 L] of water).
5. Replace the removable parts.
6. Use the appropriate cleaning method for your exterior finish.

Painted Metal: Wash exteriors with a clean sponge or soft cloth and a mild detergent in warm water. Do not use abrasive or harsh cleaners, or cleaners designed for stainless steel. Dry thoroughly with a soft cloth.

7. Clean the condenser coils regularly. Coils may need to be cleaned as often as every other month. This may help save energy.
 - Open the refrigerator door and remove the base grille by removing 2 Phillips-head screws and pulling the grille toward you.

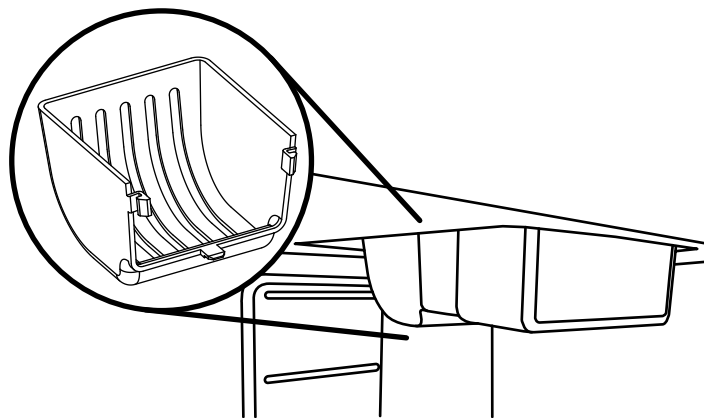


- Use a vacuum with an extended attachment to clean the condenser coils when they are dusty or dirty.
 - Replace the base grille by snapping the grille into place. Reinstall the screws removed in Step 1.
8. Plug in refrigerator or reconnect power.
 9. Set temperature control to desired setting. See “Using the Control.”

Changing the Light Bulbs

NOTE: Not all appliance bulbs will fit your freezer. Be sure to replace the bulb with one of the same size, shape, and wattage.

1. Unplug refrigerator or disconnect power.
2. Remove the light shield by squeezing the lens from the sides, pushing back and pulling down.



3. Replace bulb with a 40-watt maximum appliance bulb.
4. Replace the light shield.
5. Plug in refrigerator or reconnect power.

Power Interruptions

If the power will be out for 24 hours or less, keep the door closed to help food stay cold.

If the power will be out for more than 24 hours, consume or can perishable food at once.

REMEMBER: If the condition of the food is poor, dispose of it.

Vacation and Moving Care

Vacations

If you choose to leave the refrigerator on while you're away, use up any perishables and freeze other items.

If you choose to turn the refrigerator off before you leave, follow these steps.

1. Remove all food from the refrigerator.
2. Press and hold TEMP SETTING for 3 seconds to turn off cooling. See "Using the Control."
3. Clean refrigerator, wipe it, and dry well.
4. Tape rubber or wood blocks to the tops of both doors to prop them open far enough for air to get in. This stops odor and mold from building up.

Moving

When you are moving your refrigerator to a new home, follow these steps to prepare it for the move.

1. Remove all food from the refrigerator.
2. Turn the control to the off position. See "Using the Control."
3. Unplug refrigerator.
4. Empty water from the defrost pan.
5. Clean, wipe, and dry thoroughly.
6. Take out all removable parts, wrap them well, and tape them together so they don't shift and rattle during the move.
7. Tape the doors shut and the power cord to the refrigerator cabinet.

When you get to your new home, put everything back and refer to "Installing Your Refrigerator" for preparation instructions.

PROBLEM SOLVER

Refrigerator Operation

⚠ WARNING



Electrical Shock Hazard

Plug into a grounded 3 prong outlet.

Do not remove ground prong.

Do not use an adapter.

Do not use an extension cord.

Failure to follow these instructions can result in death, fire, or electrical shock.

⚠ WARNING



Explosion Hazard

Use nonflammable cleaner.

Failure to do so can result in death, explosion, or fire.

PROBLEM

RECOMMENDED SOLUTIONS

Refrigerator Will Not Operate

Check that it is plugged into a grounded 3 prong outlet.

Check that the temperature control is turned on.

Check that the refrigerator is not running an automatic defrost cycle.

Replace the fuse or reset the circuit breaker.

NOTE: If problems continue, contact an electrician.

Lights Do Not Work

Check that it is plugged into a grounded 3 prong outlet.

Check that the light bulb is tight in the socket and is not burned out.

PROBLEM	RECOMMENDED SOLUTIONS
Water in Defrost Drain Pan	<p>It is normal for water to drip into the defrost drain pan when refrigerator is defrosting.</p> <p>When humidity is high, it is normal for water in the defrost pan to take longer to evaporate.</p>
Motor Seems to Run Too Much	<p>Check that door closes properly.</p> <p>Adding a large amount of food warms the refrigerator causing the refrigerator to run longer to cool back down. If this is the situation, wait approximately 6 to 8 hours to allow the refrigerator to reach the correct temperature.</p> <p>Get all items out at one time, keep food organized and close door as soon as possible.</p> <p>Check that the temperature control is set correctly for surrounding conditions.</p> <p>Check that the condenser coils are clean.</p> <p>Check that space around refrigerator meets air circulation requirements. See “Location Requirements.”</p> <p>Warmer than normal room temperature will cause the motor to run longer.</p> <p>NOTE: If none of the above, your new refrigerator will run longer than your old one due to its high-efficiency motor.</p>
Temperature Is Too Warm	<p>Check that air vents are clear. See “Ensuring Proper Air Circulation” for air vent locations.</p> <p>Get all items out at one time, keep food organized and close door as soon as possible.</p> <p>Adding a large amount of food warms the refrigerator causing the refrigerator to run longer to cool back down.</p> <p>Check that the temperature control is set correctly for surrounding conditions.</p>
The Door Will Not Close Completely or Is Difficult To Open	<p>Check that there are no food packages blocking the door.</p> <p>On some models, check that the crisper covers, pans, shelves, bins and baskets are in the correct position.</p> <p>Check that gaskets are clean. See “Caring For Your Refrigerator.”</p> <p>Check that the refrigerator is stable. See “Refrigeration Leveling and Door Closing.”</p>
Noisy	<p>The sounds may be normal. See “Normal Sounds.”</p>
Refrigerator Makes Loud Buzzing/Clicking Sound	<p>If the refrigerator has recently been plugged in or turned on following a defrost or product move, or if there has been an extended power failure, turn off the temperature alarm for the next 24 hours.</p> <p>Adding a large amount of food warms the refrigerator. It can take several hours for the refrigerator to return to normal temperature. Turn the temperature alarm off for the next 24 hours.</p>

LIMITED IN-HOME APPLIANCE WARRANTY

This quality product is warranted to be free from manufacturer's defects in material and workmanship, provided that the unit is used under the normal operating conditions intended by the manufacturer.

This warranty is available only to the person to whom the unit was originally sold by Danby Products Limited (Canada) or Danby Products Inc. (U.S.A.) (hereafter "Danby") or by an authorized distributor of Danby, and is non-transferable.

TERMS OF WARRANTY

Plastic parts are warranted for thirty (30) days only from purchase date, with no extensions provided.

First 18 months During the first eighteen (18) months, any functional parts of this product found to be defective, will be repaired or replaced, at warrantor's option, at no charge to the ORIGINAL purchaser.

To obtain service Danby reserves the right to limit the boundaries of "In Home Service" to the proximity of an Authorized Service Depot. Any appliance requiring service outside the limited boundaries of "In Home Service," it will be the consumer's responsibility to transport the appliance (at their own expense) to the original retailer (point of purchase) or a service depot for repair. See "Boundaries of In Home Service" below. Contact your dealer from whom your unit was purchased, or contact your nearest authorized Danby service depot, where service must be performed by a qualified service technician. If service is performed on the unit by anyone other than an authorized service depot, or the unit is used for commercial application, all obligations of Danby under this warranty shall be void.

Boundaries of In Home Service If the appliance is installed in a location that is 100 kilometers (62 miles) or more from the nearest service center, your unit must be delivered to the nearest authorized Danby Service Depot, as service must only be performed by a technician qualified and certified for warranty service by Danby. Transportation charges to and from the service location are not protected by this warranty and are the responsibility of the purchaser.

Nothing within this warranty shall imply that Danby will be responsible or liable for any spoilage or damage to food or other contents of this appliance, whether due to any defect of the appliance, or its use, whether proper or improper.

EXCLUSIONS

Save as herein provided by Danby, there are no other warranties, conditions, representations or guarantees, express or implied, made or intended by Danby or its authorized distributors and all other warranties, conditions, representations or guarantees, including any warranties, conditions, representations or guarantees under any Sale of Goods Act or like legislation or statute is hereby expressly excluded. Save as herein provided, Danby shall not be responsible for any damages to persons or property, including the unit itself, howsoever caused or any consequential damages arising from the malfunction of the unit and by the purchase of the unit, the purchaser does hereby agree to indemnify and hold harmless Danby from any claim for damages to persons or property caused by the unit.

GENERAL PROVISIONS

No warranty or insurance herein contained or set out shall apply when damage or repair is caused by any of the following:

- 1) Power failure.
- 2) Damage in transit or when moving the appliance.
- 3) Improper power supply such as low voltage, defective house wiring or inadequate fuses.
- 4) Accident, alteration, abuse or misuse of the appliance such as inadequate air circulation in the room or abnormal operating conditions (extremely high or low room temperature).
- 5) Use for commercial or industrial purposes (i.e., if the appliance is not installed in a domestic residence).
- 6) Fire, water damage, theft, war, riot, hostility, acts of God such as hurricanes, floods, etc.
- 7) Service calls resulting in customer education.
- 8) Improper Installation (i.e., building-in of a free standing appliance or using an appliance outdoors that is not approved for outdoor application).

Proof of purchase date will be required for warranty claims, so please retain bills of sale. In the event warranty service is required, present this document to our AUTHORIZED SERVICE DEPOT.

Warranty Service
In-home

Danby Products Limited
PO Box 1778, Guelph, Ontario, Canada N1H 6Z9
Telephone: (519) 837-0920 FAX: (519) 837-0449

1-800-263-2629
07/13

Danby Products Inc.
PO Box 669, Findlay, Ohio, U.S.A. 45840
Telephone: (419) 425-8627 FAX: (419) 425-8629

TABLE DES MATIÈRES

SÉCURITÉ	1	ENTRETIEN DU RÉFRIGÉRATEUR	8
INSTALLATION DU RÉFRIGÉRATEUR	2	Nettoyage	8
Déballage	2	Remplacement des ampoules d'éclairage.....	8
Exigences d'emplacement	2	Pannes de courant électrique	8
Spécifications électriques.....	3	Entretien avant les vacances ou lors d'un déménagement.....	9
Porte du réfrigérateur	3	RÉSOLUTION DE PROBLÈMES	9
Nivellement du réfrigérateur et fermeture de la porte.....	5	Fonctionnement du réfrigérateur	9
Sons normaux.....	5	GARANTIE	11
UTILISATION DU RÉFRIGÉRATEUR	6		
Pour s'assurer d'une circulation d'air appropriée.....	6		
Utilisation de la commande.....	6		
Caractéristiques du réfrigérateur.....	7		

SÉCURITÉ

Votre sécurité et celle des autres est très importante.

Nous donnons de nombreux messages de sécurité importants dans ce manuel et sur votre appareil ménager. Assurez-vous de toujours lire tous les messages de sécurité et de vous y conformer.



Voici le symbole d'alerte de sécurité.

Ce symbole d'alerte de sécurité vous signale les dangers potentiels de décès et de blessures graves à vous et à d'autres.

Tous les messages de sécurité suivront le symbole d'alerte de sécurité et le mot "DANGER" ou "AVERTISSEMENT". Ces mots signifient :

⚠ DANGER

Risque possible de décès ou de blessure grave si vous ne suivez pas immédiatement les instructions.

⚠ AVERTISSEMENT

Risque possible de décès ou de blessure grave si vous ne suivez pas les instructions.

Tous les messages de sécurité vous diront quel est le danger potentiel et vous disent comment réduire le risque de blessure et ce qui peut se produire en cas de non-respect des instructions.

IMPORTANTES INSTRUCTIONS DE SÉCURITÉ

AVERTISSEMENT : Pour réduire les risques d'incendie, de choc électrique ou des blessures lors de l'utilisation du réfrigérateur, prendre quelques précautions fondamentales, y compris les suivantes :

- Brancher l'appareil sur une prise à 3 alvéoles reliée à la terre.
- Ne pas enlever la broche de liaison à la terre.
- Ne pas utiliser un adaptateur.
- Ne pas utiliser un câble de rallonge.
- Utiliser deux ou plus de personnes pour déplacer et installer le réfrigérateur.
- Débrancher la source de courant électrique avant l'entretien.
- Replacer pièces et panneaux avant de faire la remise en marche.
- Utiliser un produit de nettoyage ininflammable.
- Garder les matériaux et les vapeurs inflammables, telle que l'essence, loin du réfrigérateur.
- Enlever les portes de votre vieux réfrigérateur.

CONSERVEZ CES INSTRUCTIONS

Avertissements de la proposition 65 de l'État de Californie :

AVERTISSEMENT : Ce produit contient au moins un produit chimique connu par l'État de Californie pour être à l'origine de cancers.

AVERTISSEMENT : Ce produit contient au moins un produit chimique connu par l'État de Californie pour être à l'origine de malformations et autres déficiences de naissance.

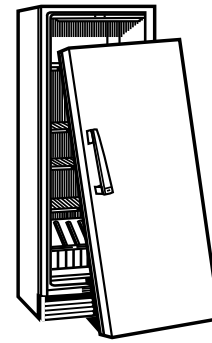
MISE AU REBUT DE VOTRE VIEUX RÉFRIGÉRATEUR OU CONGÉLATEUR

⚠️ AVERTISSEMENT

Risque de suffoquer

Enlever les portes de votre vieux réfrigérateur.

Le non-respect de cette instruction peut causer un décès ou des lésions cérébrales.



IMPORTANT : L'emprisonnement et l'étouffement des enfants ne sont pas un problème du passé. Les réfrigérateurs jetés ou abandonnés sont encore dangereux, même s'ils sont abandonnés pendant "quelques jours seulement". Si vous vous débarrassez de votre vieux réfrigérateur, veuillez suivre les instructions suivantes pour aider à éviter les accidents.

Avant de jeter votre vieux réfrigérateur ou congélateur :

- Enlever les portes.
- Laisser les tablettes en place de sorte que les enfants ne peuvent pas facilement se glisser à l'intérieur.

Renseignements importants à propos de la mise au rebut des fluides réfrigérants :

Mettre le réfrigérateur au rebut conformément à la réglementation fédérale et locale. Les fluides réfrigérants doivent être évacués par un technicien certifié et agréé par l'EPA conformément aux procédures établies.

INSTALLATION DU RÉFRIGÉRATEUR

Déballage

⚠️ AVERTISSEMENT

Risque du poids excessif

Utiliser deux ou plus de personnes pour déplacer et installer le réfrigérateur.

Le non-respect de cette instruction peut causer une blessure au dos ou d'autre blessure.

Importants renseignements à savoir au sujet des tablettes et des couvercles en verre :

Ne pas nettoyer les tablettes ou couvercles en verre avec de l'eau tiède quand ils sont froids. Les tablettes et les couvercles peuvent se briser s'ils sont exposés à des changements soudains de température ou à un impact tel que coup brusque. Le verre trempé est conçu pour éclater en d'innombrables pièces minuscules. Ceci est normal. Les tablettes et les couvercles en verre sont lourds. Les saisir à deux mains lors de leur dépose afin d'éviter de les faire tomber.

Enlèvement des matériaux d'emballage

- Enlever le ruban adhésif et la colle des surfaces du réfrigérateur avant de le brancher. Frotter une petite quantité de savon liquide pour la vaisselle sur l'adhésif avec les doigts. Rincer à l'eau tiède et essuyer.
- Ne pas utiliser d'instruments coupants, d'alcool à friction, de liquides inflammables ou de nettoyants abrasifs pour enlever le ruban adhésif ou la colle. Ces produits peuvent endommager la surface de votre réfrigérateur. Pour plus de renseignements, voir la section "Sécurité".
- Pour enlever la pellicule (transparente) sur la plaque signalétique, utiliser vos ongles et retirer la pellicule en procédant d'un côté à l'autre.

Exigences d'emplacement

⚠️ AVERTISSEMENT



Risque d'explosion

Garder les matériaux et les vapeurs inflammables, telle que l'essence, loin du réfrigérateur.

Le non-respect de cette instruction peut causer un décès, une explosion ou un incendie.

Déplacement de votre réfrigérateur :

Votre réfrigérateur est lourd. Lors du déplacement de votre réfrigérateur pour le nettoyage ou un entretien ou réparation, veiller à recouvrir le plancher avec du carton ou un panneau de fibres dures pour éviter qu'il ne subisse tout dommage. Toujours tirer le réfrigérateur tout droit lors de son déplacement. Ne pas incliner le réfrigérateur d'un côté ou de l'autre ni le "faire marcher" en essayant de le déplacer car le plancher pourrait être endommagé.

Nettoyage avant l'utilisation

Après avoir enlevé tous les matériaux d'emballage, nettoyer l'intérieur du réfrigérateur avant de l'utiliser. Voir les instructions de nettoyage dans la section "Entretien du réfrigérateur".

Ventilation et dégagement

- Garder les matériaux et les vapeurs inflammables, tels que l'essence, loin du réfrigérateur.
- Ne pas couvrir le réfrigérateur avec des articles tels que couvertures, draps, nappes de table, etc. Ceci réduit la circulation d'air.
- Laisser un espace d'au moins 1" (2,5 cm) entre l'arrière du réfrigérateur et le mur. Si le réfrigérateur doit être placé contre un mur, laisser un espace plus grand du côté des charnières pour que la porte puisse s'ouvrir davantage.

Température

Le réfrigérateur fonctionne à son efficacité maximale lorsqu'il se trouve dans un endroit où la température ne descend pas en dessous de 40°F (5°C). Installer le réfrigérateur dans un endroit où la température ne descend pas en dessous de cette température recommandée.

En cas de déplacement à son emplacement final

REMARQUE : Laisser un dégagement de 1" (2,54 cm) derrière le réfrigérateur et un dégagement de ¼" (6,4 mm) entre les appareils.

Spécifications électriques

AVERTISSEMENT



Risque de choc électrique

Brancher sur une prise à 3 alvéoles reliée à la terre.

Ne pas enlever la broche de liaison à la terre.

Ne pas utiliser un adaptateur.

Ne pas utiliser un câble de rallonge.

Le non-respect de ces instructions peut causer un décès, un incendie ou un choc électrique.

Avant de placer le réfrigérateur à son emplacement final, il est important de vous assurer d'avoir la connexion électrique appropriée.

Méthode recommandée de mise à la terre

Une source d'alimentation de 115 volts, 60 Hz, type 15 ou 20 ampères CA seulement, protégée par fusibles et adéquatement mise à la terre est nécessaire. Il est recommandé d'utiliser un circuit distinct pour alimenter uniquement votre réfrigérateur. Utiliser une prise murale qui ne peut pas être mise hors circuit à l'aide d'un commutateur. Ne pas employer de rallonge.

REMARQUE : Avant de procéder à tout type d'installation, de nettoyage ou de changement d'une ampoule, appuyer sans relâcher sur TEMP SETTING (réglage de la température) pendant 3 secondes pour désactiver le refroidissement, puis déconnecter le réfrigérateur de la source de courant électrique.

Temp
Setting

Cooling On/Off
Hold 3 Sec

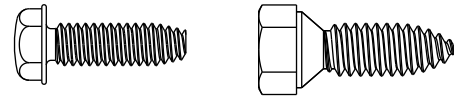
Porte du réfrigérateur

Outillage nécessaire : Clé à douille à tête hexagonale de 5/16" et clé à douille à tête hexagonale de 3/8", tournevis Phillips, couteau à mastic plat de 2".

IMPORTANT :

- Toutes les illustrations mentionnées dans les instructions suivantes sont incluses plus loin dans cette section après "Étapes finales". Les illustrations correspondent à une porte s'ouvrant à droite (charnières installées à droite à l'usine).
- Si vous désirez seulement enlever et réinstaller la porte, voir "Démontage—Porte et charnières" et "Réinstallation—Porte et charnières".
- Avant de commencer, appuyer sans relâcher sur TEMP SETTING (réglage de la température) pendant 3 secondes pour désactiver le refroidissement, et retirer les aliments et tout balconnet réglable ou compartiment utilitaire de la porte.

Démontage—Porte et charnières



Vis de charnière à tête hexagonale

1. Débrancher le réfrigérateur ou déconnecter la source de courant électrique.
2. Laisser la porte du réfrigérateur fermée jusqu'à ce que vous soyez prêt à la soulever pour la dégager de la caisse.
REMARQUE : Prévoir un support additionnel de la porte pendant la réinstallation des charnières. La force d'attraction des aimants de la porte ne suffit pas à la maintenir en place.
3. Enlever les pièces de la charnière supérieure - voir l'illustration de la charnière supérieure.
4. Soulever la porte du réfrigérateur pour la séparer de la charnière inférieure et de la caisse et la conserver à part.
5. Retirer les 4 vis de charnière à tête hexagonale et la charnière inférieure. Voir l'illustration de la charnière inférieure.

Inversion du sens d'ouverture de la porte (facultatif—sur certains modèles)

IMPORTANT : Si vous souhaitez inverser le sens d'ouverture de la porte, suivre les instructions de la section "Inversion du sens d'ouverture de la porte (facultatif—sur certains modèles)". S'il n'est pas nécessaire de changer l'orientation de la porte, voir "Réinstallation—Porte et charnières".

Caisse

1. Enlever les bouchons d'obturation des trous de charnière au sommet de la caisse; transférer ceux-ci dans les trous de charnière du côté opposé. Voir l'illustration 2.
2. Retirer l'axe de charnière inférieure de la bride de charnière.
3. Retirer les œillets recouvrant les trous du côté opposé de la charnière inférieure.
4. Réinstaller l'axe de charnière inférieure dans l'autre trou de la bride de charnière. Voir l'illustration 3.
5. Réinstaller la bride de charnière sur la caisse à l'aide des 4 vis de charnière à tête hexagonale.

Porte

1. Enlever le bouchon d'obturation de la partie supérieure de charnière au sommet de la porte.
2. Retirer la butée de porte du bas de la porte.
3. Placer la butée de porte du côté opposé en s'assurant que le trou de la plaque de butée de porte est parfaitement aligné avec le trou de la porte destiné à l'axe de charnière inférieure.
4. À l'aide des vis retirées à l'étape 2, fixer le support de butée de porte au bas de la porte.
5. Serrer toutes les vis. Conserver la porte du réfrigérateur à part jusqu'à la mise en place de la charnière inférieure.

Poignée

Retirer la poignée et la transférer d'un côté à l'autre de la porte.

1. Dégager les vis de montage situées sur le côté de la poignée à chaque extrémité. Voir l'illustration 1.
2. Retirer la poignée des œillets.
3. À l'aide d'un tournevis Phillips, retirer les œillets de la porte.
4. Réinstaller les œillets sur le côté opposé de la porte.
5. Placer la poignée sur les œillets sur le côté opposé de la porte du réfrigérateur.
6. Vérifier que les œillets sont installés dans les trous de la poignée.
7. Serrer les vis de montage supérieures et inférieures à l'aide de la clé à tête hexagonale fournie. Ne pas serrer excessivement les vis de montage.

Réinstallation—Porte et charnières

REMARQUE : Si on inverse le sens d'ouverture de la porte, considérer l'image symétrique.

1. Assembler les pièces de la charnière inférieure (tel qu'indiqué) et serrer les vis. Voir l'illustration de la charnière inférieure. Réinstaller la porte du réfrigérateur.

REMARQUE : Prévoir un support additionnel de la porte pendant le déplacement des charnières. La force d'attraction des aimants de porte ne suffit pas à la maintenir en place.

2. Assembler les pièces de la charnière supérieure (voir l'illustration de la charnière supérieure). Ne pas complètement serrer les vis.

Étapes finales

1. Inspecter tous les trous. Vérifier que tous les bouchons d'obturation et vis sont en place. Réinstaller le cache de la charnière supérieure. Voir l'illustration de la charnière supérieure.

⚠ AVERTISSEMENT



Risque de choc électrique

Brancher sur une prise à 3 alvéoles reliée à la terre.

Ne pas enlever la broche de liaison à la terre.

Ne pas utiliser un adaptateur.

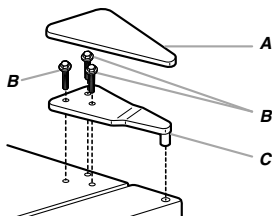
Ne pas utiliser un câble de rallonge.

Le non-respect de ces instructions peut causer un décès, un incendie ou un choc électrique.

2. Brancher sur une prise à 3 alvéoles reliée à la terre.
3. Réinitialiser la commande. Voir "Utilisation de la commande".
4. Réinstaller toutes les pièces amovibles de la porte et remettre les aliments dans le réfrigérateur.

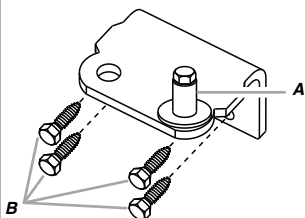
Dépose et réinstallation de la porte

Charnière supérieure



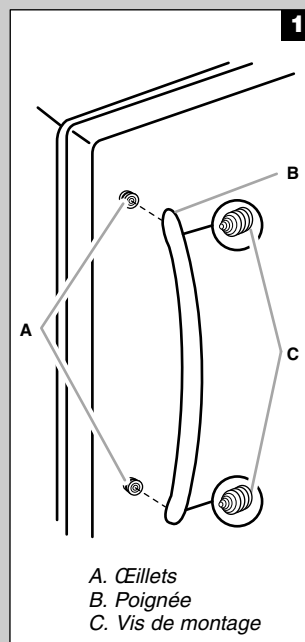
- A. Cache de charnière supérieure
- B. Vis de charnière à tête hexagonale de $\frac{5}{16}$ "
- C. Charnière supérieure

Charnière inférieure

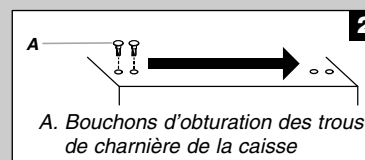


- A. Axe de charnière
- B. Vis de charnière à tête hexagonale de $\frac{3}{8}$ "

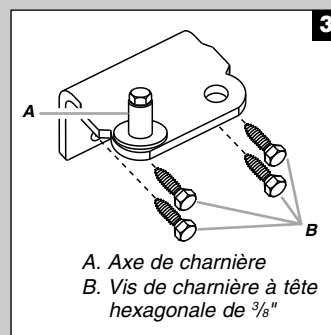
Inversion du sens d'ouverture de la porte (facultatif)



- A. Œillets
- B. Poignée
- C. Vis de montage



- A. Bouchons d'obturation des trous de charnière de la caisse



- A. Axe de charnière
- B. Vis de charnière à tête hexagonale de $\frac{3}{8}$ "

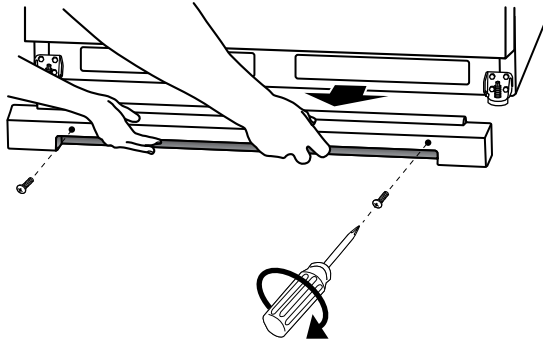
Nivellement du réfrigérateur et fermeture de la porte

Le réfrigérateur est équipé de 2 pieds avant réglables, un de chaque côté. L'arrière du réfrigérateur repose sur 2 roulettes fixes. La grille de la base recouvre les pieds de stabilisation réglables et les roulettes situées au bas du réfrigérateur sous la porte du réfrigérateur. Avant de réaliser les ajustements, retirer la grille de la base et déplacer le réfrigérateur à son emplacement définitif.

Outillage nécessaire : tourne-écrou de 1/4", tournevis Phillips

1. Retirer les vis de la grille de la base. Saisir la grille fermement et la tirer vers soi. Ouvrir la porte du réfrigérateur pour accéder aux pieds de stabilisation.

REMARQUE : Pour permettre au réfrigérateur de rouler plus facilement, soulever les pieds de stabilisation en les tournant dans le sens antihoraire. Les roulettes avant toucheront le plancher.



2. Déplacer le réfrigérateur jusqu'à son emplacement final.
3. Abaisser les pieds de stabilisation en les tournant dans le sens horaire, jusqu'à ce que les roulettes ne touchent plus le sol et que les deux pieds de stabilisation soient fermement en appui sur le sol. Cet arrangement vise à empêcher le réfrigérateur de rouler vers l'avant à l'ouverture de la porte.

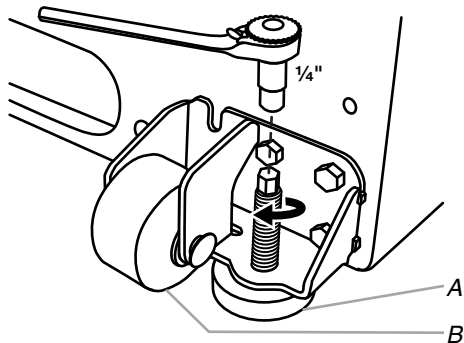
IMPORTANT : Si des arrangements sont nécessaires par la suite et si cela comprend les pieds de stabilisation, les deux pieds de stabilisation doivent être tournés de façon égale pour conserver l'aplomb du réfrigérateur.

4. S'assurer que la porte ferme facilement. Si vous êtes satisfait de la facilité avec laquelle la porte s'ouvre et se ferme, sauter la section suivante. Cependant, si la porte ne ferme pas facilement ou qu'elle s'ouvre d'elle-même, régler l'inclinaison.

Réglage de l'inclinaison de la caisse :

REMARQUE : Si une autre personne pousse le haut du réfrigérateur, le poids devient moins lourd sur les pieds de nivellement. Ceci facilite leur rotation.

- Ouvrir la porte du réfrigérateur. Utiliser un tourne-écrou de 1/4" pour tourner les deux pieds de stabilisation du même nombre de tours dans le sens horaire. Cela soulève l'avant du réfrigérateur. Cela peut nécessiter plusieurs tours pour permettre à la porte de se fermer plus facilement.



A. Pied de stabilisation
B. Roulette avant

5. S'assurer que le réfrigérateur est stable. Si le réfrigérateur semble instable ou qu'il roule vers l'avant lorsqu'on ouvre la porte, régler les pieds de nivellement.

Stabilisation du réfrigérateur :

- Ouvrir la porte du réfrigérateur. Utiliser un tourne-écrou de 1/4" pour tourner les deux pieds de stabilisation du même nombre de tours dans le sens horaire, jusqu'à ce qu'ils soient fermement en appui sur le sol. Vérifier de nouveau. Si le résultat n'est pas satisfaisant, continuer de régler les pieds de nivellement en tournant la vis par demi-tours jusqu'à ce que le réfrigérateur ne roule plus vers l'avant lors de l'ouverture de la porte.
6. Réinstaller la grille de la base en alignant les extrémités de la grille avec les dispositifs de nivellement de chaque côté et emboîter la grille. Réinstaller les vis Phillips.

Sons normaux

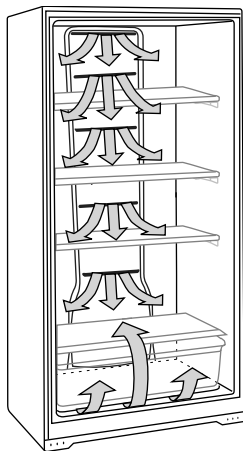
Il est possible que le réfrigérateur neuf émette des bruits que l'appareil précédent ne produisait pas. Comme ces bruits sont nouveaux, ils peuvent vous inquiéter. La plupart de ces nouveaux bruits sont normaux. Des surfaces dures comme le plancher, les murs et les armoires peuvent faire paraître les bruits plus forts qu'en réalité. Les descriptions suivantes indiquent le genre de bruits et leur origine.

- Votre réfrigérateur est conçu pour fonctionner plus efficacement afin de garder les aliments à la température désirée et pour minimiser la consommation d'énergie. Le compresseur et les ventilateurs haute efficacité peuvent faire fonctionner votre réfrigérateur plus longtemps que l'ancien. Vous pouvez aussi entendre des bruits saccadés ou aigus provenant du compresseur et des ventilateurs qui s'ajustent pour optimiser la performance.
- Vous pouvez entendre le moteur du ventilateur d'évaporation qui fait circuler l'air dans le réfrigérateur. La vitesse du ventilateur peut augmenter si on ouvre la porte ou si on ajoute des aliments chauds.
- Les vibrations sonores peuvent provenir de l'écoulement du réfrigérant, de la canalisation d'eau ou d'articles placés sur le réfrigérateur.
- L'eau qui dégoutte sur le dispositif de chauffage durant le programme de dégivrage peut produire un grésillement.
- À la fin de chaque programme, vous pouvez entendre un gargouillement attribuable au réfrigérant qui circule dans votre réfrigérateur.
- La contraction et l'expansion des parois internes peuvent produire un bruit d'éclatement.
- Vous pouvez entendre de l'air soufflé en force sur le condenseur par le ventilateur du condenseur.
- Vous pouvez entendre l'écoulement de l'eau dans le plat de récupération d'eau de dégivrage pendant le programme de dégivrage.

UTILISATION DU RÉFRIGÉRATEUR

Pour s'assurer d'une circulation d'air appropriée

Pour s'assurer d'avoir des températures appropriées, il faut permettre à l'air de circuler dans le réfrigérateur. Comme l'indique l'illustration, l'air froid pénètre dans tout le réfrigérateur et se déplace vers le bas. L'air circule ensuite à nouveau par l'évent près de la base.



Ne pas obstruer l'une ou l'autre de ces ouvertures d'aération avec des paquets d'aliments. Si les ouvertures d'aération sont bloquées, le courant d'air sera coupé et des problèmes de température et d'humidité peuvent survenir.

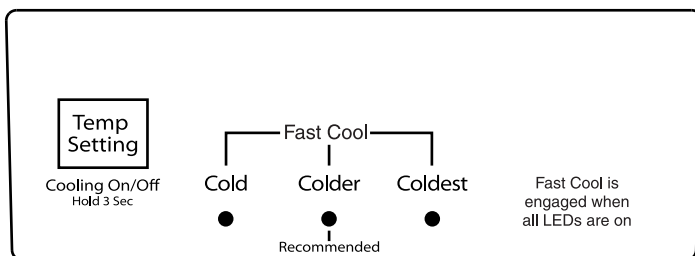
IMPORTANT : Pour empêcher le transfert d'odeurs et l'assèchement des aliments, envelopper ou recouvrir hermétiquement les aliments.

Utilisation de la commande

La commande de la température se trouve dans la partie supérieure avant du compartiment de réfrigérateur.

Commande de la température

Pour votre commodité, la commande de température est pré-réglée à l'usine. Lors de l'installation initiale du réfrigérateur, vérifier que la commande est encore pré-réglée au point de réglage recommandé tel qu'illustré.



"Colder" est le réglage recommandé

IMPORTANT:

- Ce réglage est conçu pour maintenir la température à environ 37°F (3°C) dans des conditions de fonctionnement normales.
- Attendre 24 heures avant d'ajouter des aliments dans le réfrigérateur. Si on ajoute des aliments avant que le réfrigérateur ne soit complètement refroidi, les aliments risquent de s'abîmer.

REMARQUE : Ajuster le point de réglage de la température à un réglage plus froid que celui qui est recommandé ne refroidira pas le réfrigérateur plus rapidement.

- Si la température est trop tiède ou trop froide dans le réfrigérateur, inspecter d'abord les événements pour s'assurer qu'ils ne sont pas bloqués, avant de régler la commande.
- Le pré-réglage de température devrait être correct pour une utilisation domestique normale. La commande est réglée correctement si le lait ou le jus est à la température idéale.
- Lorsque le réfrigérateur est mis en marche pour la première fois, le compresseur fonctionne sans cesse jusqu'à ce que le réfrigérateur soit refroidi. Cela peut durer entre 6 et 8 heures (ou plus), en fonction de la température de la pièce et de la fréquence d'ouverture de la porte de réfrigérateur. Une fois le réfrigérateur refroidi, le compresseur s'allume et s'éteint par intermittence selon le besoin, afin de permettre au réfrigérateur de rester à la bonne température.
- Il est possible que l'extérieur du réfrigérateur soit chaud. Ceci est normal. La conception du réfrigérateur ainsi que sa fonction principale permettent de supprimer la chaleur provenant des emballages et de l'espace à l'intérieur du réfrigérateur. La chaleur est transférée dans l'air ambiant, ce qui entraîne le réchauffement de l'extérieur du réfrigérateur.

Réglage de la commande

Si le réglage de la température du compartiment de réfrigérateur est souhaité, appuyer sur le bouton TEMP SETTING (réglage de la température) pour afficher le réglage de la température désiré, du réglage le moins froid au réglage le plus froid.

REMARQUE : Ne pas régler la commande de plus d'un réglage à la fois, sauf lors de la mise en marche du réfrigérateur. Attendre 24 heures entre chaque réglage pour que la température puisse se stabiliser.

Cooling On/Off (marche/arrêt du refroidissement)

Le réfrigérateur ne refroidit pas lorsque le refroidissement est désactivé.

Pour désactiver le refroidissement, appuyer sur le bouton TEMP SETTING (réglage de la température) pendant 3 secondes. Si le refroidissement est désactivé, aucun des témoins lumineux du tableau de commande ne s'allume. L'ampoule d'éclairage principale du réfrigérateur continue de fonctionner.

Pour activer le refroidissement, appuyer sur le bouton TEMP SETTING (réglage de la température) pendant 3 secondes. Lorsque le refroidissement est activé, les témoins lumineux du tableau de commande sont allumés.

Refroidissement rapide

Utiliser cette caractéristique pour aider à refroidir le réfrigérateur lors de périodes d'utilisation intense du réfrigérateur, de l'ajout d'un grand nombre d'aliments ou d'une élévation temporaire de la température ambiante.

Pour activer la caractéristique de refroidissement rapide, appuyer sur le bouton TEMP SETTING (réglage de la température) jusqu'à ce que tous les témoins lumineux s'allument simultanément.

Le réfrigérateur reste réglé sur refroidissement rapide pendant 24 heures une fois la très basse température atteinte. Dès que la durée a expiré, le réfrigérateur revient au réglage de température précédent. La caractéristique de refroidissement rapide peut être désactivée manuellement en appuyant sur TEMP SETTING (réglage de la température) pour sélectionner le réglage de la température désiré, du réglage le moins froid au réglage le plus froid.

Importants renseignements à savoir au sujet des tablettes et des couvercles en verre :

Ne pas nettoyer les tablettes ou couvercles en verre avec de l'eau tiède quand ils sont froids. Les tablettes et les couvercles peuvent se briser s'ils sont exposés à des changements soudains de température ou à un impact tel que coup brusque. Le verre trempé est conçu pour éclater en d'innombrables pièces minuscules. Ceci est normal. Les tablettes et les couvercles en verre sont lourds. Les saisir à deux mains lors de leur dépose afin d'éviter de les faire tomber.

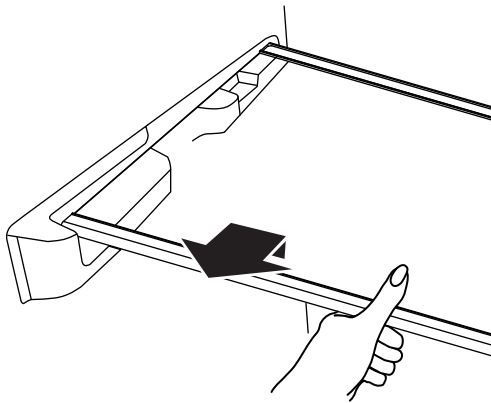
Ce manuel couvre plusieurs modèles différents. Le réfrigérateur que vous avez acheté peut comporter certaines ou toutes les caractéristiques indiquées ci-dessous. Les emplacements des caractéristiques peuvent ne pas correspondre au modèle que vous avez.

Tablettes du réfrigérateur

Remiser ensemble les aliments semblables et ajuster la hauteur des tablettes. Ceci permettra de réduire le temps d'ouverture de la porte du réfrigérateur et d'économiser de l'énergie.

Pour retirer et réinstaller une tablette :

1. Retirer la tablette en la soulevant et en la tirant pour l'extraire.



2. Réinstaller la tablette en l'abaissant sur les supports situés sur la paroi latérale.

Bacs à légumes et tiroir à viande

Pour retirer et réinstaller un tiroir :

1. Faire glisser le tiroir tout droit jusqu'à la butée. Soulever le devant du tiroir et faire glisser le reste du tiroir complètement pour le retirer.
2. Réinstaller un tiroir en le faisant glisser complètement au-delà de la butée.

Guide d'entreposage des viandes

La plupart des viandes peuvent être conservées dans leur emballage original tant que cet emballage est hermétique et à l'épreuve de l'humidité. Emballer de nouveau si nécessaire. Voir le tableau suivant pour les durées de conservation. Si la viande doit être conservée pour une période plus longue que la durée donnée, faire congeler la viande.

Poissons ou crustacés frais utiliser le jour de l'achat

Poulet, bœuf haché, abats comestibles (foie) 1 à 2 jours

Charcuterie, steaks/rôtis 3 à 5 jours

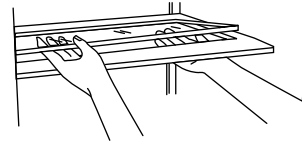
Viandes salées 7 à 10 jours

Les restes—Couvrir les restes avec de la pellicule en plastique ou du papier d'aluminium, ou utiliser des contenants en plastique avec couvercles hermétiques.

Couvercle du bac à légumes

Pour retirer le(s) couvercle(s) du bac à légumes :

1. Retirer le(s) bac(s). En retenant fermement d'une main la tablette en verre, pousser vers le haut au centre de la tablette en verre jusqu'à ce qu'elle se soulève hors du cadre en plastique. Glisser lentement la tablette en verre vers l'avant pour la retirer.
2. Soulever le cadre du couvercle et le retirer.



Pour réinstaller le couvercle du bac à légumes :

1. Introduire l'arrière du cadre du couvercle dans les supports sur les parois latérales du réfrigérateur et abaisser le devant du cadre du couvercle en place.
2. Faire glisser l'arrière de la tablette en verre dans le cadre du couvercle et abaisser le devant en place.

Réglage de l'humidité dans le bac à légumes (sur certains modèles)

Vous pouvez régler le degré d'humidité dans le bac à légumes étanche à l'aide des réglages entre "+" et "-".

En position "-" (ouvert) le réglage laisse échapper l'air humide pour mieux conserver les fruits et légumes à pelure.

- Fruits : Laver, laisser sécher et mettre au réfrigérateur dans un sac en plastique dans le bac à légumes. Ne pas laver ni équeuter les petits fruits avant le moment de leur utilisation. Les trier et les conserver dans l'emballage original dans le bac à légumes.
- Légumes à pelure : Placer dans des sacs en plastique ou contenants en plastique et ranger dans le bac à légumes.

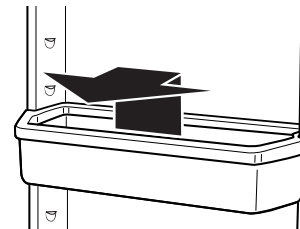
En position "+" (fermé) le réglage permet de retenir l'humidité à l'intérieur du bac pour mieux conserver les légumes frais et à feuilles.

- Légumes à feuilles : Laver à l'eau froide, égoutter et couper ou éliminer les sections endommagées et décolorées. Placer dans un sac ou un contenant en plastique et ranger dans le bac à légumes.

Balconnet de porte

Pour retirer et réinstaller le balconnet :

1. Retirer le balconnet en faisant basculer l'avant du balconnet vers l'avant et en le faisant glisser pour le sortir.
2. Réinstaller le balconnet en le faisant glisser au-dessus du support désiré et en le faisant basculer pour le remettre en place.



ENTRETIEN DU RÉFRIGÉRATEUR

Nettoyage

AVERTISSEMENT



Risque d'explosion

Utiliser un produit de nettoyage ininflammable.

Le non-respect de cette instruction peut causer un décès, une explosion ou un incendie.

Nettoyer le réfrigérateur une fois par mois pour empêcher une accumulation d'odeurs. Essuyer les renversements immédiatement.

Pour nettoyer le réfrigérateur :

1. Appuyer sur le bouton TEMP SETTING (réglage de la température) pendant 3 secondes pour désactiver le refroidissement.
2. Débrancher le réfrigérateur ou déconnecter la source de courant.
3. Retirer toutes les pièces amovibles de l'intérieur, telles que les tablettes, bacs, etc.
4. Laver à la main, rincer et sécher les pièces amovibles et les surfaces internes à fond. Utiliser une éponge propre ou un linge doux et un détergent doux dans de l'eau tiède.

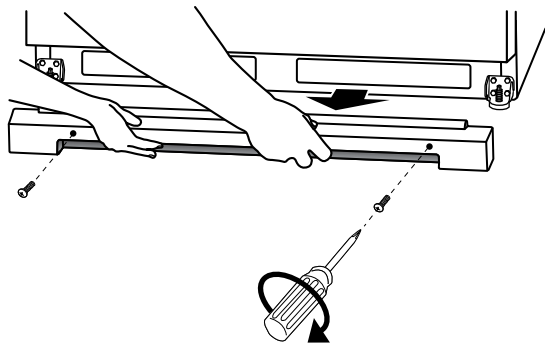
- Ne pas utiliser des nettoyeurs abrasifs tels que les nettoyeurs à vitre en atomiseurs, nettoyeurs à récurer, liquides inflammables, cires nettoyantes, détergents concentrés, eaux de Javel ou nettoyeurs contenant du pétrole sur les pièces en plastique, les garnitures intérieures, ou les joints de portes. Ne pas utiliser d'essuie-tout, tampons à récurer ou autre outil de nettoyage abrasif. Ces produits risquent d'égratigner ou d'endommager les matériaux.
- Pour aider à éliminer les odeurs, on peut laver les parois intérieures avec un mélange d'eau tiède et de bicarbonate de soude (2 c. à soupe pour 1 pinte [26 g pour 0,95 L] d'eau).

5. Replacer les pièces détachées.
6. Utiliser la méthode de nettoyage adéquate pour votre finition extérieure.

Métal peint : Laver les surfaces extérieures avec une éponge propre ou un linge doux et un détergent doux dans de l'eau tiède. Ne pas utiliser de nettoyant fort ou abrasif, ni de nettoyant conçu pour l'acier inoxydable. Sécher à fond avec un linge doux.

7. Nettoyer régulièrement les serpentins du condenseur. Il se peut que les serpentins aient besoin d'être nettoyés tous les deux mois. Ce nettoyage pourrait aider à économiser de l'énergie.

- Ouvrir la porte du réfrigérateur et retirer la grille de la base en enlevant les 2 vis Phillips et en tirant la grille vers soi.

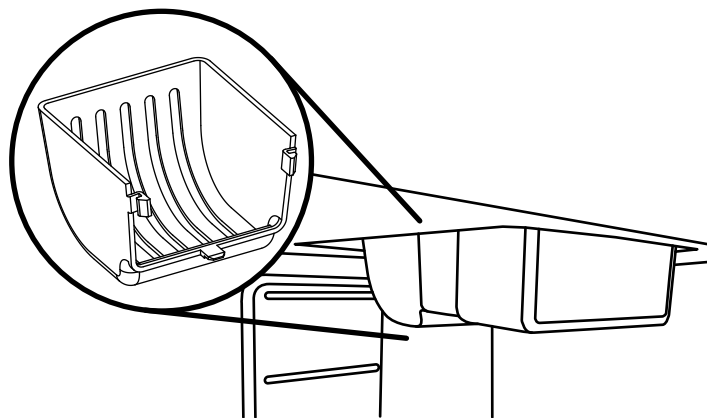


- Utiliser un aspirateur avec un accessoire long pour nettoyer les serpentins du condenseur lorsqu'ils sont poussiéreux ou sales.
 - Réinstaller la grille de la base en alignant les extrémités de la grille avec les dispositifs de nivellement de chaque côté et emboîter la grille. Réinstaller les vis.
8. Brancher le réfrigérateur ou reconnecter la source de courant électrique.
 9. Régler la commande de température au réglage désiré. Voir "Utilisation de la commande".

Remplacement des ampoules d'éclairage

REMARQUE : Votre congélateur ne pourra pas accommoder toutes les ampoules pour appareils ménagers. S'assurer de remplacer l'ampoule par une ampoule de grosseur, de forme et de puissance semblables.

1. Débrancher le réfrigérateur ou déconnecter la source de courant électrique.
2. Retirer le protège-ampoule en appuyant sur les côtés du cabochon, en poussant et en tirant vers le bas.



3. Utiliser uniquement une ampoule pour appareil électroménager de 40 watts maximum.
4. Replacer le protège-ampoule.
5. Brancher le réfrigérateur ou reconnecter la source de courant électrique.

Pannes de courant électrique

Si le courant électrique doit être interrompu pendant 24 heures ou moins, garder la porte fermée pour aider les aliments à demeurer froids.

Si le courant doit être interrompu pendant plus de 24 heures, consommer ou mettre immédiatement en conserve les aliments périssables.

À NOTER : Si les aliments semblent de piètre qualité ou douteux, les jeter.

Entretien avant les vacances ou lors d'un déménagement

Vacances

Si vous choisissez de laisser le réfrigérateur en fonctionnement pendant votre absence, consommer tous les aliments périssables et congeler les autres articles.

Si vous choisissez d'arrêter le fonctionnement du réfrigérateur avant votre absence, observer ces étapes.

1. Enlever tous les aliments du réfrigérateur.
2. Tourner la commande de la température à la position d'arrêt. Voir "Utilisation de la commande".
3. Nettoyer le réfrigérateur, l'essuyer et bien le sécher.
4. À l'aide d'un ruban adhésif, placer des cales de caoutchouc ou des tasseaux de bois dans la partie supérieure de la porte de façon à ce qu'elle soit suffisamment ouverte pour permettre l'entrée de l'air à l'intérieur, afin d'éviter l'accumulation d'odeurs ou de moisissure.

Déménagement

Lorsque vous déménagez votre réfrigérateur à une nouvelle habitation, suivre ces étapes pour préparer le déménagement.

1. Retirer tous les aliments du réfrigérateur.
2. Désactiver le refroidissement. Voir "Utilisation de la commande".
3. Débrancher le réfrigérateur.
4. Vider l'eau du plat de dégivrage.
5. Nettoyer, essuyer et sécher à fond.
6. Retirer toutes les pièces amovibles, bien les envelopper et les attacher ensemble à l'aide de ruban adhésif pour qu'elles ne bougent pas ni ne s'entrechoquent durant le déménagement.
7. Fermer la porte à l'aide de ruban adhésif et fixer le cordon d'alimentation à la caisse du réfrigérateur.

Lorsque vous arriverez à votre nouvelle habitation, remettre tout en place et consulter la section "Installation du réfrigérateur" pour les instructions de préparation.

RÉSOLUTION DE PROBLÈMES

Fonctionnement du réfrigérateur

AVERTISSEMENT



Risque de choc électrique

- Brancher sur une prise à 3 alvéoles reliée à la terre.
- Ne pas enlever la broche de liaison à la terre.
- Ne pas utiliser un adaptateur.
- Ne pas utiliser un câble de rallonge.
- Le non-respect de ces instructions peut causer un décès, un incendie ou un choc électrique.

AVERTISSEMENT



Risque d'explosion

- Utiliser un produit de nettoyage ininflammable.
- Le non-respect de cette instruction peut causer un décès, une explosion ou un incendie.

PROBLÈME

SOLUTION RECOMMANDÉE

Le réfrigérateur ne fonctionne pas

- Vérifier que le réfrigérateur est branché sur une prise de courant à 3 alvéoles reliée à la terre.
- Vérifier que la commande de température est allumée.
- Vérifier qu'aucun programme automatique de dégivrage n'est en cours.
- Remplacer le fusible ou réenclencher le disjoncteur.
- REMARQUE** : Si le problème persiste, appeler un électricien.

Les lampes ne fonctionnent pas

- Vérifier que le réfrigérateur est branché sur une prise de courant à 3 alvéoles reliée à la terre.
- Vérifier que l'ampoule est bien serrée dans la douille et qu'elle n'est pas grillée.

Le bac de dégivrage contient de l'eau

- Il est normal que de l'eau s'égoutte dans le bac de dégivrage lorsque le réfrigérateur est en cours de dégivrage.
- Lorsque le taux d'humidité est élevé, il est normal que l'eau dans le bac de dégivrage prenne plus de temps à s'évaporer.

PROBLÈME	SOLUTION RECOMMANDÉE
Le moteur semble fonctionner excessivement	<p>Vérifier que la porte ferme correctement.</p> <p>L'ajout d'une grande quantité d'aliments réchauffe le réfrigérateur, l'obligeant à fonctionner plus longtemps pour refroidir. Dans ce cas, prévoir un délai d'environ 6 à 8 heures pour que le réfrigérateur atteigne la température adéquate.</p> <p>Retirer tous les articles en une seule fois, ranger les aliments de façon organisée et refermer la porte le plus vite possible.</p> <p>Vérifier que le réglage de la commande de température est adapté à l'environnement de l'appareil.</p> <p>Vérifier que les serpentins du condenseur sont propres.</p> <p>Vérifier que l'espace autour du réfrigérateur répond aux exigences en matière de circulation de l'air. Voir "Exigences d'emplacement".</p> <p>Le moteur fonctionnera plus longtemps dans des conditions de chaleur.</p> <p>REMARQUE : Si aucun des problèmes évoqué n'est rencontré, votre nouveau réfrigérateur fonctionnera plus longtemps que l'ancien grâce à son moteur à haute efficacité.</p>
La température est trop élevée	<p>Enlever les objets devant les ouvertures. Voir la section "Pour s'assurer d'une circulation d'air appropriée" pour l'emplacement des ouvertures.</p> <p>Retirer tous les articles en une seule fois, ranger les aliments de façon organisée et refermer la porte le plus vite possible.</p> <p>L'ajout d'une grande quantité d'aliments réchauffe le réfrigérateur, l'obligeant à fonctionner plus longtemps pour refroidir.</p> <p>Vérifier que le réglage de la commande de température est adapté à l'environnement de l'appareil.</p>
Le porte ne ferme pas complètement ou est difficile à ouvrir	<p>Vérifier qu'aucun emballage d'aliments n'empêche la fermeture de la porte.</p> <p>Sur certains modèles, vérifier que les couvercles des bacs à légumes, les tablettes, les balconnets et les paniers sont positionnés correctement.</p> <p>Vérifier que les joints sont propres. Voir "Entretien du réfrigérateur".</p> <p>Vérifier que le réfrigérateur est stable. Voir "Nivellement du réfrigérateur et fermeture de la porte".</p>
Noisy	<p>Ces nouveaux bruits sont normaux. Voir "Sons normaux".</p>
Le réfrigérateur émet un fort bourdonnement/cliquetis	<p>Si le réfrigérateur a récemment été branché ou allumé à la suite d'un dégivrage ou d'un déplacement, ou si une longue panne de courant s'est produite, éteindre l'alarme de température pour les 24 prochaines heures.</p> <p>Ajouter une grande quantité d'aliments réchauffe le réfrigérateur. Plusieurs heures peuvent être nécessaires pour que le réfrigérateur revienne à la température normale. Éteindre l'alarme de température pour les 24 prochaines heures.</p>

GARANTIE À DOMICILE LIMITÉE SUR LES APPAREILS ÉLECTROMÉNAGERS

Cet appareil de qualité est garanti exempt de tout vice de matériaux et de fabrication, s'il est utilisé dans les conditions normales recommandées par le fabricant.

Cette garantie n'est offerte qu'à l'acheteur initial de l'appareil vendu par Danby Products Limited (Canada) ou Danby Products Inc. (É.-U.) (ci-après "Danby") ou par l'un de ses distributeurs agréés et elle ne peut être transférée.

CONDITIONS

Les pièces en plastique sont garanties pendant trente (30) jours seulement à partir de la date de l'achat, sans prolongation possible.

Premiers 18 mois Pendant les premiers dix-huit (18) mois, toutes les pièces fonctionnelles de ce produit qui s'avèrent défectueuses seront réparées ou remplacées, selon le choix du garant, sans frais pour l'acheteur INITIAL.

Pour bénéficier du service Danby se réserve le droit de restreindre les limites du "service à domicile" à proximité d'un centre de réparation autorisé. Pour tout appareil requérant une réparation en dehors des limites établies pour le "service à domicile", il incombera alors au client de transporter l'appareil, à sa charge, jusqu'au détaillant initial (lieu d'achat) ou jusqu'à un centre de réparation pour réparation. Voir les "limites du service à domicile" ci-dessous. S'adresser au détaillant qui a vendu l'appareil, ou au centre de réparation autorisé Danby le plus proche, où les réparations doivent être effectuées par un technicien qualifié. Si les réparations sont effectuées par quiconque autre que le centre de réparation autorisé à des fins commerciales, toutes les obligations de Danby en vertu de cette garantie seront annulées.

Limites du service à domicile Si l'appareil est installé à 100 kilomètres (62 milles) ou plus du centre de service le plus proche, il doit être livré au centre de réparation autorisé par Danby le plus proche, car l'entretien doit uniquement être réalisé par un technicien qualifié et certifié pour effectuer un entretien couvert par la garantie de Danby. Les frais de transport entre le domicile et le lieu de l'entretien ne sont pas couverts par la présente garantie et doivent être acquittés par l'acheteur.

Aucune partie de la garantie ne prévoit implicitement que le fabricant sera tenu responsable des dommages subis par les aliments ou d'autres types de contenu présent dans l'appareil, qu'ils soient causés par la défectuosité de l'appareil ou par son usage adéquat ou inadéquat.

EXCLUSIONS

En vertu de la présente, il n'existe aucune autre garantie, condition ou représentation, qu'elle soit explicite ou tacite, de façon manifeste ou intentionnelle, par Danby ou ses distributeurs agréés. De même, sont expressément exclues toutes les autres garanties, conditions ou représentations, y compris les garanties, conditions ou représentations en vertu de toute loi régissant la vente de produits ou de toute autre législation ou règlement semblables. En vertu de la présente, Danby ne peut être tenue responsable en cas de blessures corporelles ou des dégâts matériels, y compris à l'appareil, quelle qu'en soit les causes ou de tous dommages indirects dus au fonctionnement défectueux de l'appareil ou à l'achat de ce dernier. En achetant l'appareil, l'acheteur accepte de mettre à couvert et de dégager Danby de toute responsabilité en cas de réclamation pour toute blessure corporelle ou tout dégât matériel causé par cet appareil.

CONDITIONS GÉNÉRALES

La garantie ou assurance ci-dessus ne s'applique pas si les dégâts ou réparations sont dus aux cas suivants :

- 1) Panne de courant.
- 2) Dommages subis pendant le transport ou le déplacement de l'appareil.
- 3) Alimentation électrique incorrecte (tension faible, câblage défectueux, fusibles incorrects).
- 4) Accident, modification, emploi abusif ou incorrect de l'appareil tel qu'une circulation d'air inadéquate dans la pièce ou des conditions de fonctionnement anormales (température extrêmement élevée ou basse).
- 5) Utilisation dans un but commercial ou industriel (à savoir, si l'appareil n'est pas installé dans un domicile résidentiel).
- 6) Incendie, dommages causés par l'eau, vol, guerre, émeute, hostilités, cas de force majeure (ouragan, inondation, etc.).
- 7) Visites d'un technicien pour expliquer le fonctionnement de l'appareil au propriétaire.
- 8) Installation inappropriée (par exemple, encastrement d'un appareil autoportant, ou utilisation extérieure d'un appareil non conçu à cet effet).

Une preuve d'achat doit être présentée pour toute demande de réparation sous garantie. Prière de garder le reçu. Pour une réparation sous garantie, présenter ce document à notre CENTRE DE RÉPARATION AUTORISÉ.

Service sous garantie
Service à domicile

Danby Products Limited
PO Box 1778, Guelph, Ontario, Canada N1H 6Z9
Téléphone : (519) 837-0920 Télécopieur: (519) 837-0449

1-800-263-2629
07/14

Danby Products Inc.
PO Box 669, Findlay, Ohio, U.S.A. 45840
Téléphone : (419) 425-8627 Télécopieur : (419) 425-8629

