

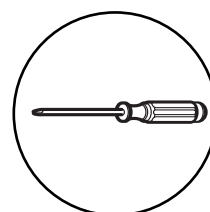
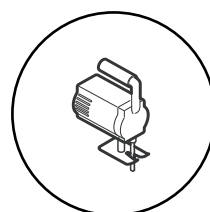
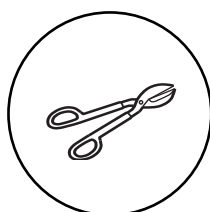
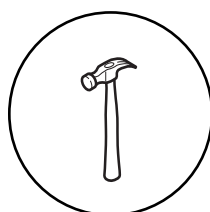
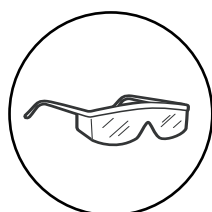
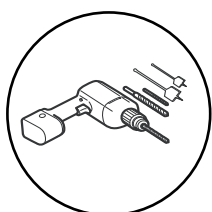
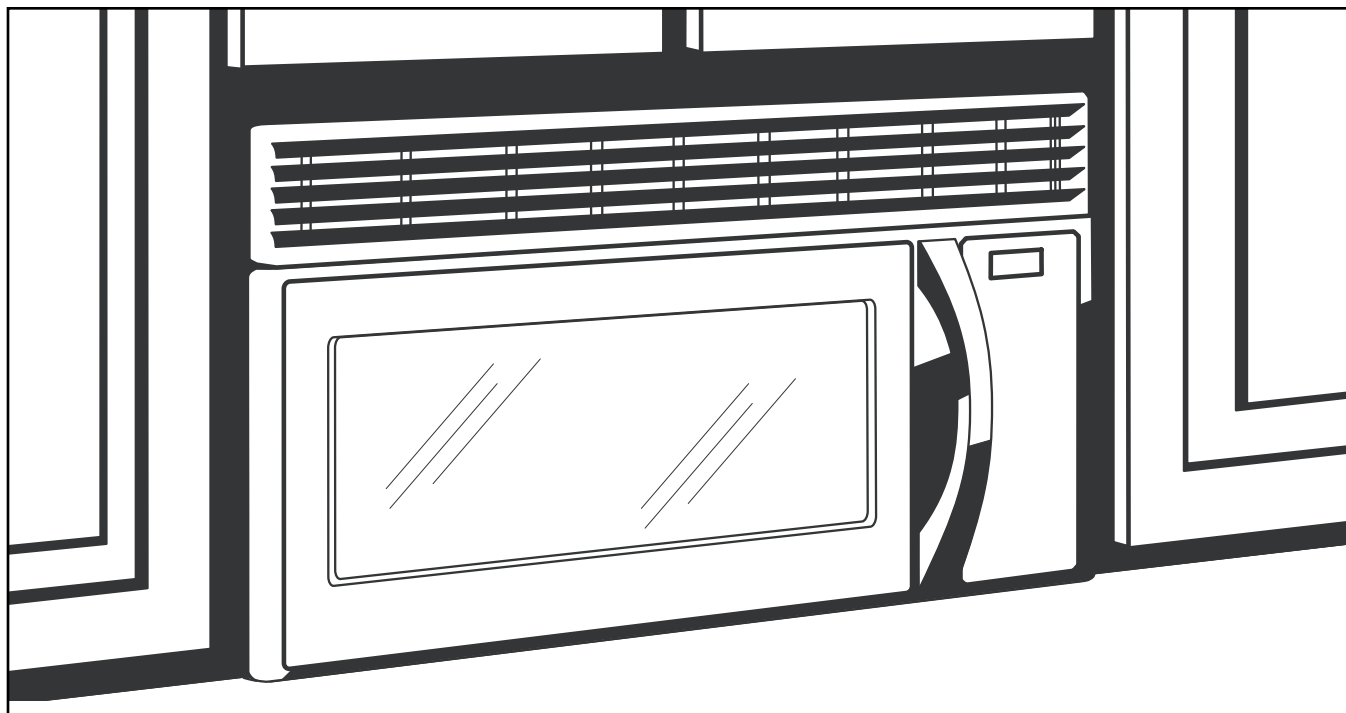
Danby®

OVER THE RANGE MICROWAVE

FOUR à MICRO-ONDES
À HOTTE INTÉGRÉE

Installation Instructions
Notice d'installation

Model • Modèle
DOM16A1WDB
DOM16A1SDB



CONTENTS

General information

Important Safety Instructions	3
Electrical Requirements	3
Hood Exhaust	4,5
Damage – Shipment/Installation.....	6
Parts Included.....	6
Tools You Will Need	7
Mounting Space	7

Step-by-step installation guide

Placement of Mounting Plate	8-10
Removing the Mounting Plate	8
Finding the Wall Studs	8
Determining Wall Plate Location	9
Aligning the Wall Plate.....	10

Installation Types..... 11-22

A Outside Top Exhaust 12-14

Attach Mounting Plate to Wall	12
Preparation of Top Cabinet	13
Checking for Proper Damper Operation.....	13
Mount the Microwave Oven	13,14
Adjust the Exhaust Adaptor	14
Connecting Ductwork.....	14

B Outside Back Exhaust..... 15-18

Preparing Rear Wall for Outside Back Exhaust.....	15
Remove Exhaust Adaptor	15
Attach Mounting Plate to Wall	16
Preparation of Top Cabinet	16
Adapting Microwave Blower for Outside Back Exhaust.....	16-17
Mount the Microwave Oven	18

C Recirculating 19-22

Attach Mounting Plate to Wall	19
Preparation of Top Cabinet	19
Check Microwave Assembly	20
Adapting Microwave Blower for Recirculation	20-21
Mount the Microwave Oven	21-22
Installing the Charcoal Filter	22

Before You Use Your Microwave 23

CAUTION:

Read and follow all safety rules and operating instructions before first use of this product.

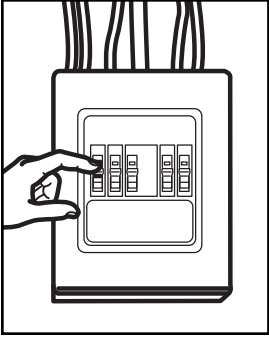
PRECAUTION:

Veillez lire attentivement les consignes de sécurité et les instructions d'utilisation avant l'utilisation initiale de ce produit.

INSTALLATION INSTRUCTIONS

SAFETY INSTRUCTIONS

This product requires a three-prong grounded outlet. The installer must perform a ground continuity check on the power outlet box before beginning the installation to insure that the outlet box is properly grounded. If not properly grounded, or if the outlet box does not meet electrical requirements noted (under ELECTRICAL REQUIREMENTS), a qualified electrician should be employed to correct any deficiencies.



CAUTION
For personal safety, remove house fuse or open circuit breaker before beginning installation to avoid severe or fatal shock injury.

You should have the wall receptacle and circuit checked by a qualified electrician to make sure the receptacle is properly grounded. Where a standard two-prong wall receptacle is encountered, it is very important to have it replaced with a properly grounded three-prong wall receptacle, installed by a qualified electrician.

DO NOT, UNDER ANY CIRCUMSTANCES, CUT, DEFORM OR REMOVE ANY OF THE PRONGS FROM THE POWER CORD. DO NOT USE WITH AN EXTENSION CORD.

ELECTRICAL REQUIREMENTS

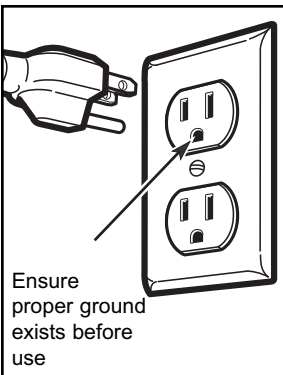
Product rating is 120 volts AC, 60 Hertz, 15 amps and 1.58 kilowatts. This product must be connected to a supply circuit of the proper voltage and frequency. Wire size must conform to the requirements of the National Electrical Code or the prevailing local code for this kilowatt rating. The power supply cord and plug should be brought to a separate 15- to 20- ampere branch circuit single grounded outlet. The outlet box should be located in the cabinet above the microwave oven. The outlet box and supply circuit should be installed by a qualified electrician and conform to the National Electrical Code or the prevailing local code.

CAUTION
For personal safety, the mounting surface must be capable of supporting the cabinet load, in addition to the added weight of this 63–85 pound product, plus additional oven loads of up to 50 pounds or a total weight of 113–135 pounds.

CAUTION
For personal safety, this product cannot be installed in cabinet arrangements such as an island or a peninsula. It must be mounted to BOTH a top cabinet AND a wall.

NOTE: For easier installation and personal safety, it is recommended that two people install this product.

IMPORTANT – PLEASE READ CAREFULLY. FOR PERSONAL SAFETY, THIS APPLIANCE MUST BE PROPERLY GROUNDED TO AVOID SEVERE OR FATAL SHOCK.



The power cord of this appliance is equipped with a three-prong (grounding) plug which mates with a standard three-prong (grounding) wall receptacle to minimize the possibility of electric shock hazard from this appliance.

Ensure proper ground exists before use

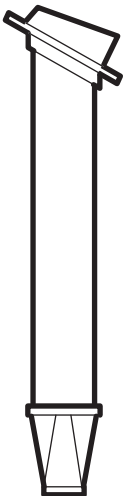
INSTALLATION INSTRUCTIONS

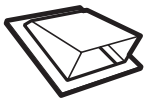


HOOD EXHAUST

NOTE: Read these next two pages only if you plan to vent your exhaust to the outside. If you plan to recirculate the air back into the room, proceed to page 6.

OUTSIDE TOP EXHAUST (EXAMPLE ONLY)

The following chart describes an example of one possible ductwork installation.




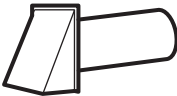


DUCT PIECES		EQUIVALENT LENGTH	x	NUMBER USED	=	EQUIVALENT LENGTH	
	Roof Cap	24 Ft.	x	(1)	=	24 Ft.	
	12 Ft. Straight Duct (6" Round)	12 Ft.	x	(1)	=	12 Ft.	
	Rectangular-to-Round Transition Adaptor*	5 Ft.	x	(1)	=	5 Ft.	
Equivalent lengths of duct pieces are based on actual tests and reflect requirements for good venting performance with any vent hood.					Total Length	=	41 Ft.

* **IMPORTANT:** If a rectangular-to-round transition adaptor is used, the bottom corners of the damper will have to be cut to fit, using the tin snips, in order to allow free movement of the damper.

OUTSIDE TOP EXHAUST (EXAMPLE ONLY)

The following chart describes an example of one possible ductwork installation.



DUCT PIECES		EQUIVALENT LENGTH	x	NUMBER USED	=	EQUIVALENT LENGTH	
	Wall Cap	40 Ft.	x	(1)	=	40 Ft.	
	3 Ft. Straight Duct (3 1/4" x 10" Rectangular)	3 Ft.	x	(1)	=	3 Ft.	
	90 Degrees Elbow	10 Ft.	x	(2)	=	20 Ft.	
Equivalent lengths of duct pieces are based on actual tests and reflect requirements for good venting performance with any vent hood.					Total Length	=	63 Ft.

NOTE: For back exhaust, care should be taken to align exhaust with space between studs, or wall should be prepared at the time it is constructed by leaving enough space between the wall studs to accommodate exhaust.

INSTALLATION INSTRUCTIONS

NOTE: If you need to install ducts, note that the total duct length of 31/4" x 10" rectangular or 6" diameter round duct should not exceed 140 equivalent feet. Outside ventilation requires a HOOD EXHAUST DUCT. Read the following carefully. **NOTE:** It is important that venting be installed using the most direct route and with as few elbows as possible. This ensures clear venting of exhaust and helps prevent blockages. Also, make sure dampers swing freely and nothing is blocking the ducts.

EXHAUST CONNECTION





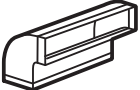
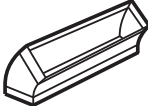
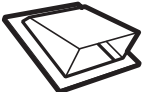

The hood exhaust has been designed to mate with a standard 31/4" x 10" rectangular duct. If a round duct is required, a rectangular-to-round transition adaptor must be used. Do not use less than a 6" diameter duct.

MAXIMUM DUCT LENGTH

For satisfactory air movement, the total duct length of 31/4" x 10" rectangular or 6" diameter round duct should not exceed 140 equivalent feet.

ELBOWS, TRANSITIONS, WALL AND ROOF CAPS ETC.,

present additional resistance to airflow and are equivalent to a section of straight duct which is longer than their actual physical size. When calculating the total duct length, add the equivalent lengths of all transitions and adaptors plus the length of all straight duct sections. The chart below shows you how to calculate total equivalent ductwork length using the approximate feet of equivalent length of some typical ducts.

DUCT PIECES		EQUIVALENT LENGTH	x	NUMBER USED	=	EQUIVALENT LENGTH
	Rectangular-to-Round Transition Adaptor*	5 Ft.	x	()	=	Ft.
	Wall Cap	40 Ft.	x	()	=	Ft.
	Elbow	10 Ft.	x	()	=	Ft.
	45 Degree Elbow	5 Ft.	x	()	=	Ft.
	90 Degree Elbow	25 Ft.	x	()	=	Ft.
	45 Degree Elbow	5 Ft.	x	()	=	Ft.
	Roof Cap	24 Ft.	x	()	=	Ft.
	Straight Duct 6" Round or 31/4" x 10" Rectangular	1 Ft.	x	()	=	Ft.
Total Ductwork					=	Ft.



* **IMPORTANT:** If a rectangular-to-round transition adaptor is used, the bottom corners of the damper will have to be cut to fit, using the tin snips, in order to allow free movement of the damper.

Equivalent lengths of duct pieces are based on actual tests and reflect requirements for good venting performance with any vent hood.


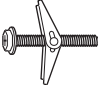


INSTALLATION INSTRUCTIONS

DAMAGE - SHIPPMENT INSTALLATION

- **If the unit is damaged in shipment**, return the unit to the store in which it was bought for repair or replacement.
- **If the unit is damaged by the customer**, repair or replacement is the responsibility of the customer.
- **If the unit is damaged by the installer** (if other than the customer), repair or replacement must be made by arrangement between customer and installer.

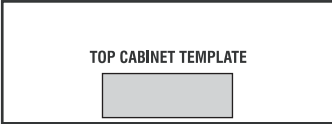
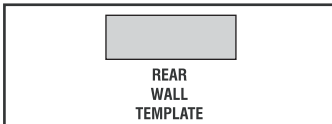

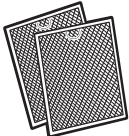
PARTS INCLUDED

HARDWARE PACKET

PART		QUANTITY
	Wood Screws (1/4" x 2")	2
	Toggle Bolts (and wing nuts) (3/16" x 3")	4
	Self-Aligning Machine Screws (1/4"-28 x 3 1/4")	3
	Nylon Grommet (for metal cabinets)	2

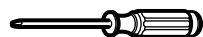
You will find the installation hardware contained in a packet with the unit. Check to make sure you have all these parts.

ADDITIONAL PARTS

	Top Cabinet Template	1
	Rear Wall Template	1
	Installation Instructions	1
	Separately Packed Grease Filters	2

INSTALLATION INSTRUCTIONS

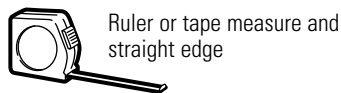
TOOLS YOU WILL NEED



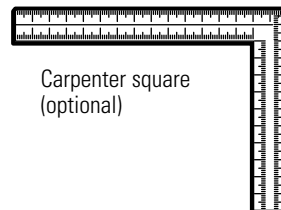
1 Phillips screwdriver



Pencil



Ruler or tape measure and straight edge



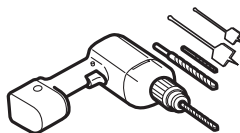
Carpenter square (optional)



Tin snips (for cutting damper, if required)



Scissors (to cut template, if necessary)



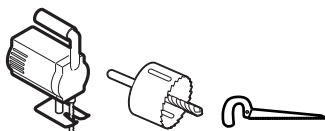
Electric drill with $\frac{3}{16}$ " , $\frac{1}{2}$ " and $\frac{5}{8}$ " drill bits



Filler blocks or scrap wood pieces, if needed for top cabinet spacing (used on recessed bottom cabinet installations only)



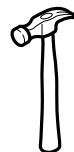
Gloves



Saw (saber, hole or keyhole)



Stud finder or Hammer (optional)



Safety goggles

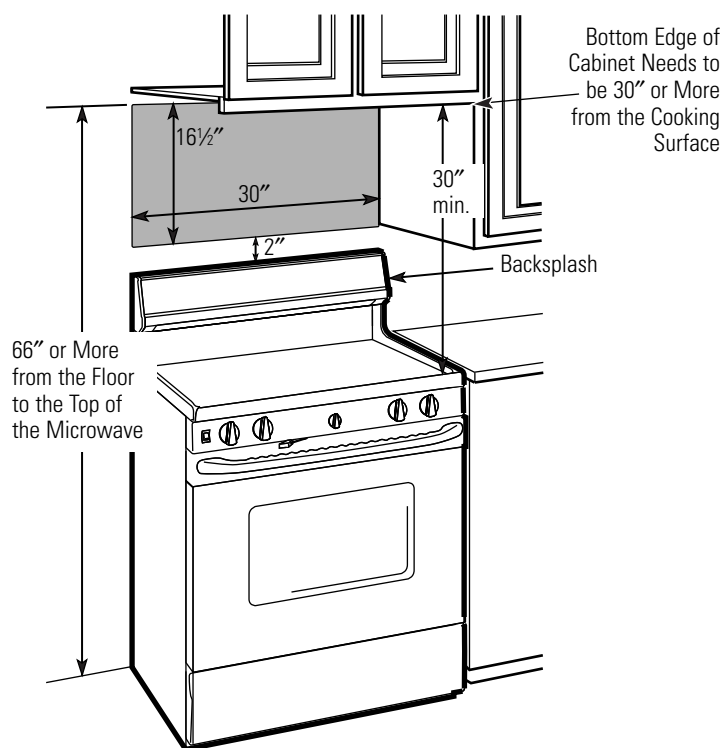


Level



Duct and masking tape

MOUNTING SPACE



NOTES:

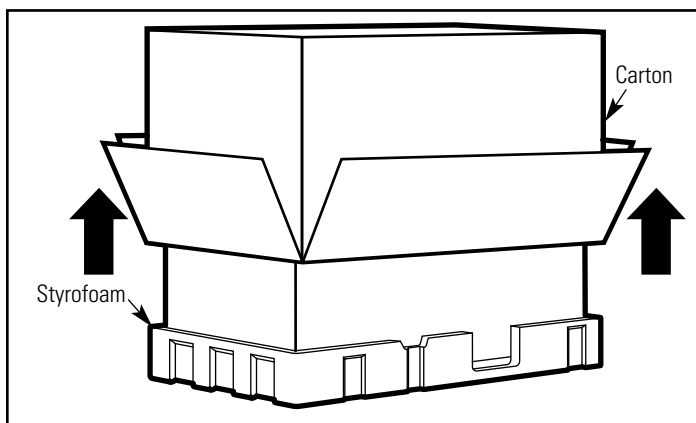
- The space between the cabinets must be 30" wide and free of obstructions.
- If the space between the cabinets is greater than 30", a Filler Panel Kit may be used to fill in the gap between the microwave oven and the cabinets. Your Owner's Manual contains the kit number for your model.
- This microwave oven is for installation over ranges up to 36" wide.
- If you are going to vent your microwave oven to the outside, see Hood Exhaust Section for exhaust duct preparation.
- When installing the microwave oven beneath smooth, flat cabinets, be careful to follow the instructions on the top cabinet template for power cord clearance.

INSTALLATION INSTRUCTIONS

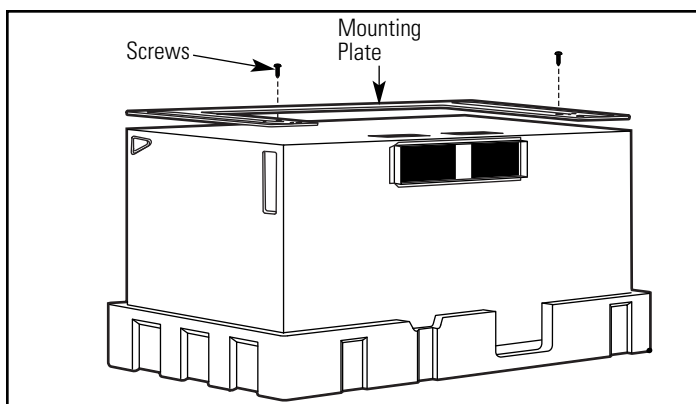
1 PLACEMENT OF THE MOUNTING PLATE

A REMOVING THE MICROWAVE OVEN FROM THE CARTON/ REMOVING THE MOUNTING PLATE

1. Remove the installation instructions, filters, glass tray and the small hardware bag. Do not remove the Styrofoam protecting the front of the oven.
2. Fold back all 4 carton flaps fully against carton sides. Then carefully roll the oven and carton over onto the top side. The oven should be resting in the Styrofoam.

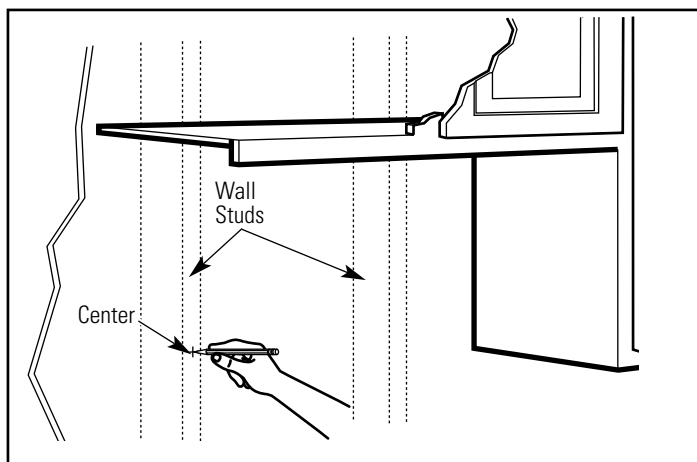


3. Pull the carton up and off the oven.
4. Remove and properly discard plastic bags.



Remove the screws from the mounting plate. This plate will be used as the rear wall template and for mounting. You may discard these screws.

B FINDING THE WALL STUDS



1. Find the studs, using one of the following methods:
 - A. Stud finder – a magnetic device which locates nails.

OR

 - B. Use a hammer to tap lightly across the mounting surface to find a solid sound. This will indicate a stud location.
2. After locating the stud(s), find the center by probing the wall with a small nail to find the edges of the stud. Then place a mark halfway between the edges. The center of any adjacent studs should be 16" or 24" from this mark.
3. Draw a line down the center of the studs.

THE MICROWAVE MUST BE CONNECTED TO AT LEAST ONE WALL STUD.

INSTALLATION INSTRUCTIONS

DETERMINING WALL PLATE LOCATION UNDER YOUR CABINET

C Plate position—beneath flat bottom cabinet

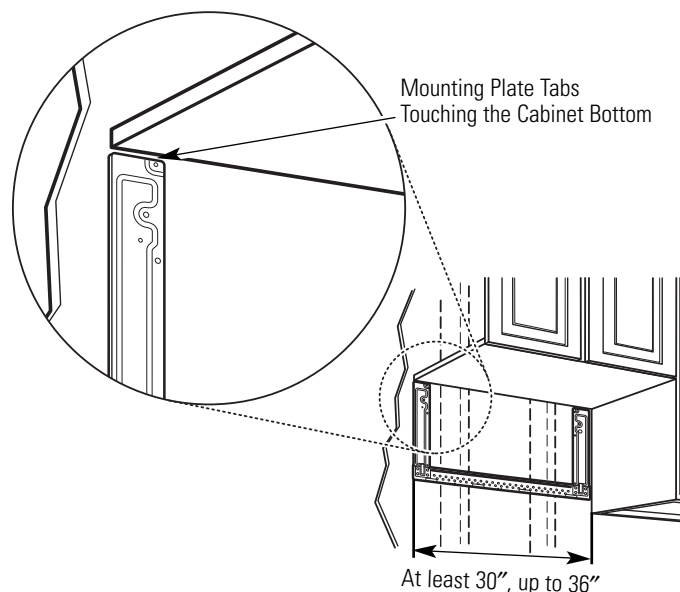


Plate position—beneath framed recessed cabinet bottom

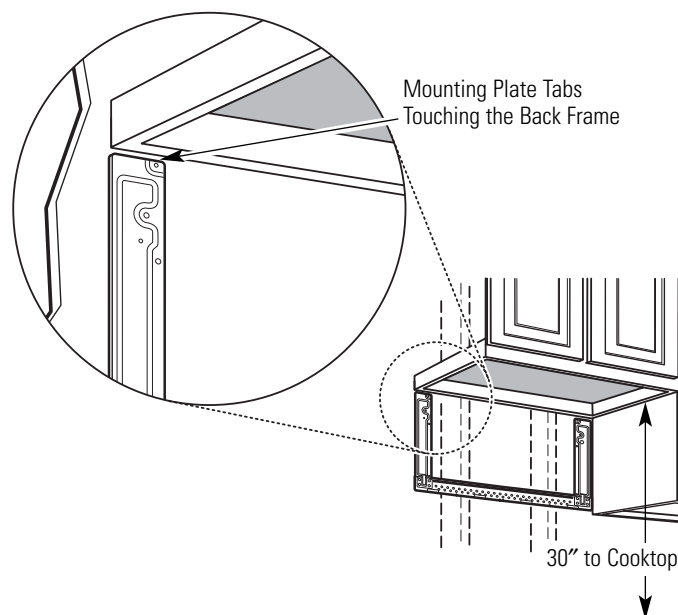
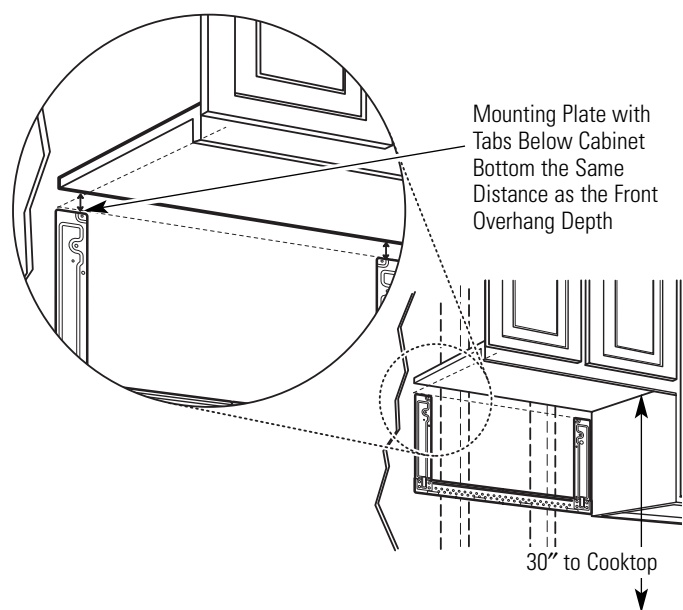


Plate position—beneath recessed bottom cabinet with front overhang



Your cabinets may have decorative trim that interferes with the microwave installation. Remove the decorative trim to install the microwave properly and to make it level.

THE MICROWAVE MUST BE LEVEL.

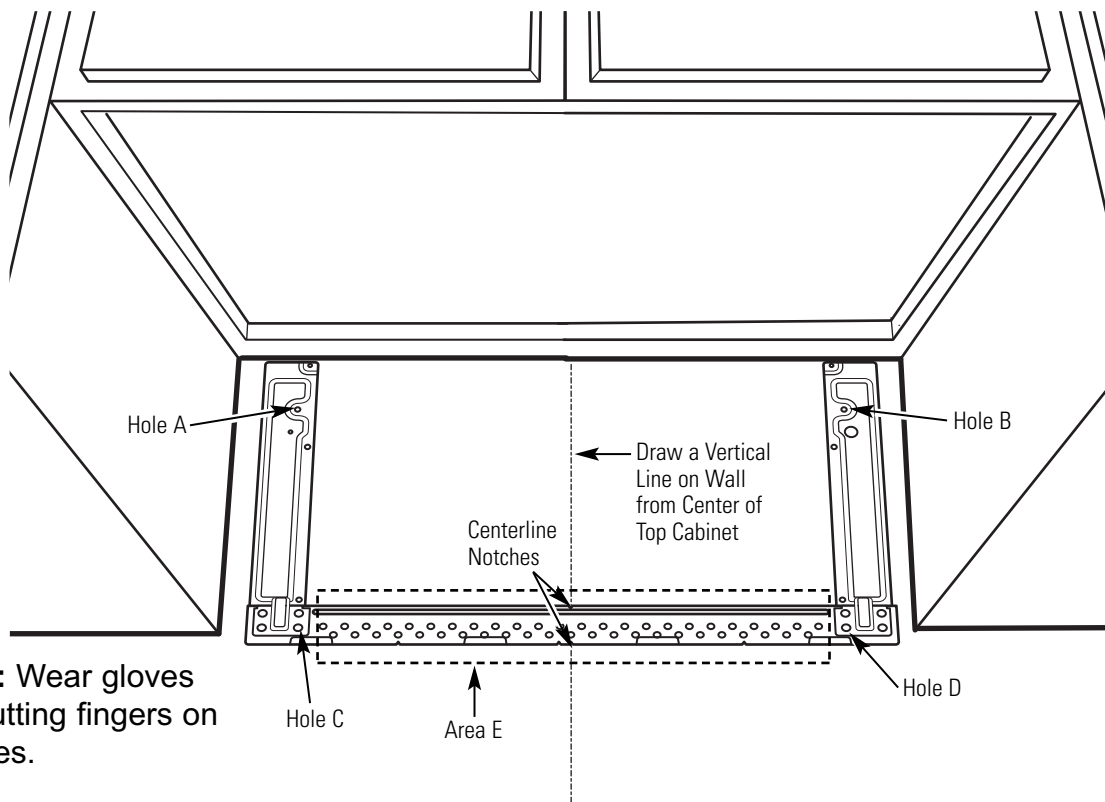
Use a level to make sure the cabinet bottom is level. If the cabinets have a front overhang only, with no back or side frame, install the mounting plate down the same distance as the front overhang depth. This will keep the microwave level.

1. Measure the inside depth of the front overhang.
2. Draw a horizontal line on the back wall an equal distance below the cabinet bottom as the inside depth of the front overhang.
3. For this type of installation with front overhang only, align the mounting tabs with this horizontal line, not touching the cabinet bottom as described in Step D.

INSTALLATION INSTRUCTIONS

ALIGNING THE WALL PLATE

D



CAUTION: Wear gloves to avoid cutting fingers on sharp edges.

1. Draw a vertical line on the wall at the center of the 30" wide space.
2. Use the mounting plate as the template for the rear wall. Place the mounting plate on the wall, making sure that the tabs are touching the bottom of the cabinet or the level line drawn in Step C for cabinets with front overhang. Line up the notch and centerline on the bottom of the mounting plate to the centerline on the wall.
3. While holding the mounting plate with one hand, draw circles on the wall at holes A, B, C and D (see illustration above/actual plate marked with arrows). Four holes must be used for mounting.

NOTE: Holes C and D are inside area E. If neither C nor D is in a stud, find a stud somewhere in area E and draw a fifth circle to line up with the stud. It is important to use at least one wood screw mounted firmly in a stud to support the weight of the microwave. Set the mounting plate aside.

4. Drill holes on the circles. If there is a stud, drill a 3/16" hole for wood screws. For holes that don't line up with a stud, drill a 5/8" hole for toggle bolts.

NOTE: DO NOT MOUNT THE PLATE AT THIS TIME.

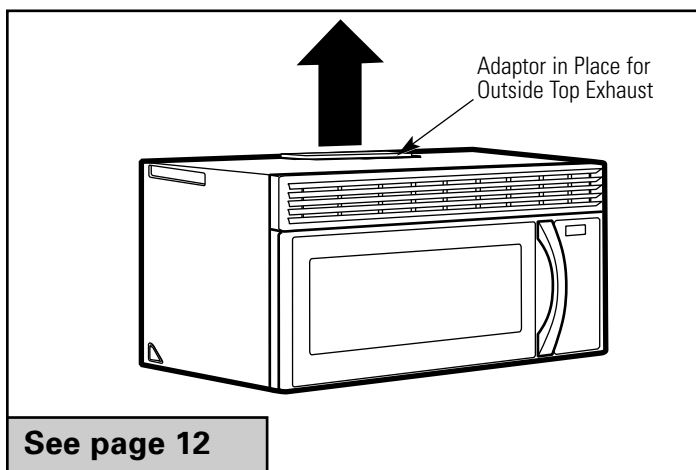
INSTALLATION INSTRUCTIONS

2 INSTALLATION TYPES (Choose A, B or C)

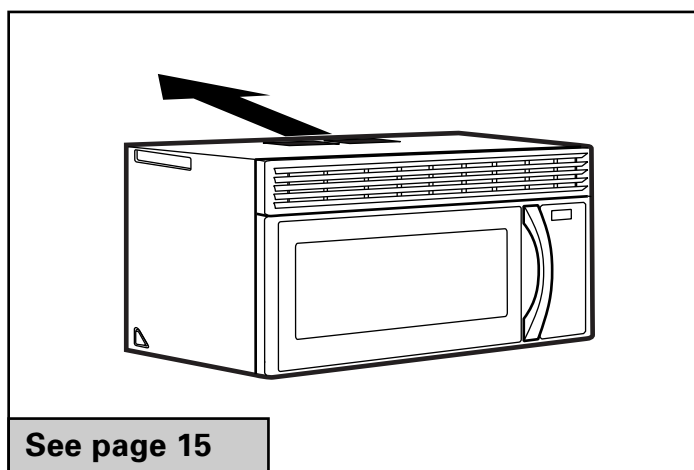
This microwave oven is designed for adaptation to the following three types of ventilation:

- A. Outside Top Exhaust (Vertical Duct)
- B. Outside Back Exhaust (Horizontal Duct)
- C. Recirculating (Non-Vented Ductless)

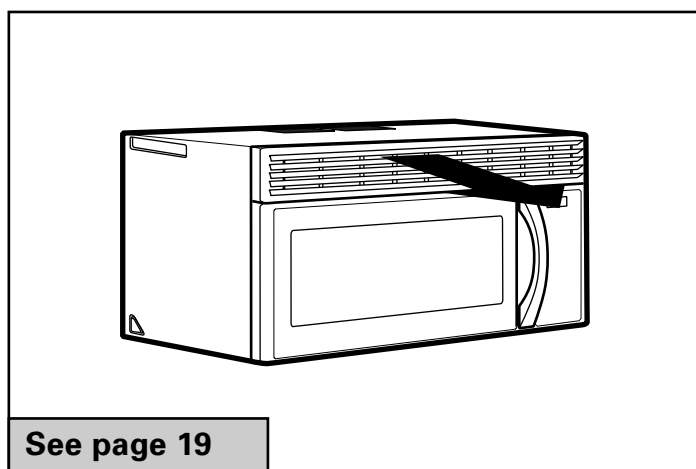
A OUTSIDE TOP EXHAUST (VERTICAL DUCT)



B OUTSIDE BACK EXHAUST (HORIZONTAL DUCT)



C RECIRCULATING (NON-VENTED DUCTLESS)



NOTE: This microwave is shipped assembled for Outside Top Exhaust (except for non-vented models). Select the type of ventilation required for your installation and proceed to that section.

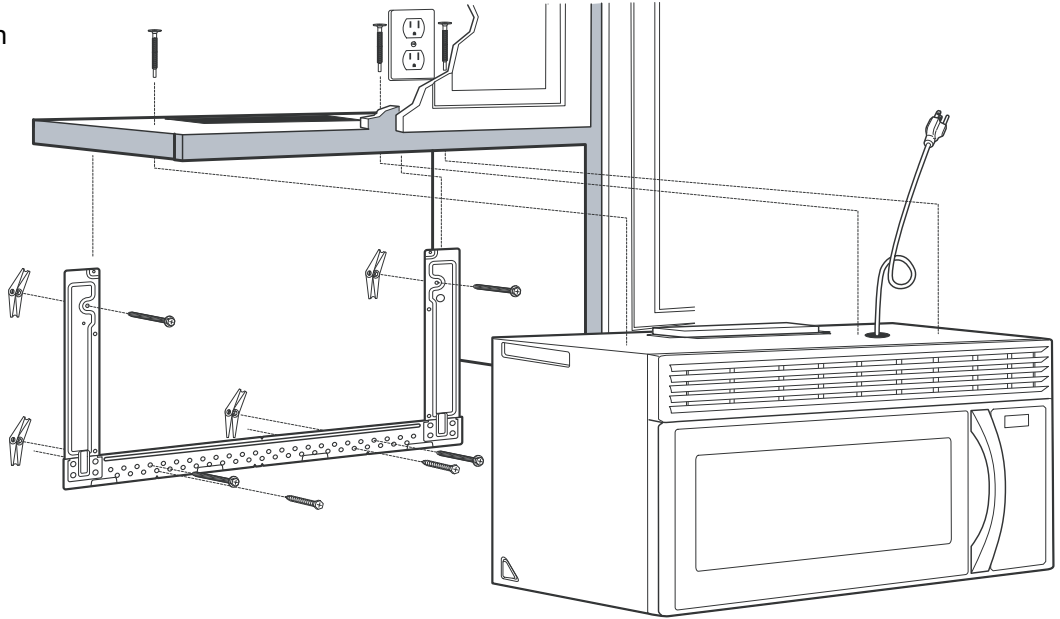
A Charcoal Filter Accessory Kit is required for the nonvented exhaust. (See your Owner's Manual for the kit number.)

INSTALLATION INSTRUCTIONS

A OUTSIDE TOP EXHAUST (Vertical Duct)

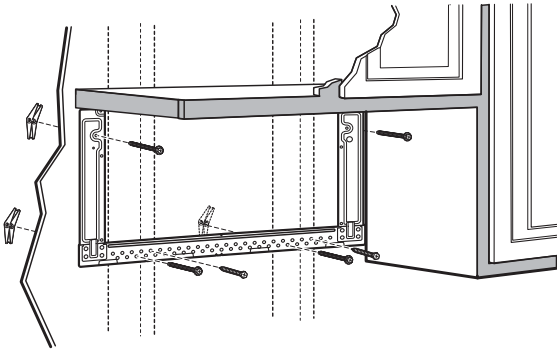
INSTALLATION OVERVIEW

- A1. Attach Mounting Plate to Wall
- A2. Prepare Top Cabinet
- A3. Check Damper Operation
- A4. Mount Microwave Oven
- A5. Adjust Exhaust Adaptor
- A6. Connect Ductwork



ATTACH THE MOUNTING PLATE TO THE WALL

A1



Attach the plate to the wall using toggle bolts.
At least one wood screw must be used to attach the plate to a wall stud.

1. Remove the toggle wings from the bolts.
2. Insert the bolts into the mounting plate through the holes designated to go into drywall and reattach the toggle wings to 3/4" onto each bolt.

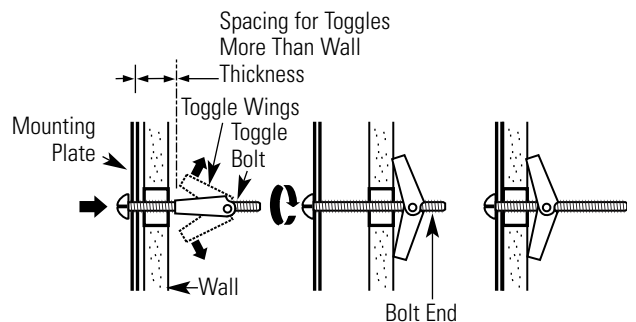
TO USE TOGGLE BOLTS

3. Place the mounting plate against the wall and insert the toggle wings into the holes in the wall to mount the plate.

NOTE: Before tightening toggle bolts and wood screw, make sure the tabs on the mounting plate touch the bottom of the cabinet when pushed flush against the wall and that the plate is properly centered under the cabinet.

CAUTION: Be careful to avoid pinching fingers between the back of the mounting plate and the wall.

4. Tighten all bolts. Pull the plate away from the wall to help tighten the bolts.

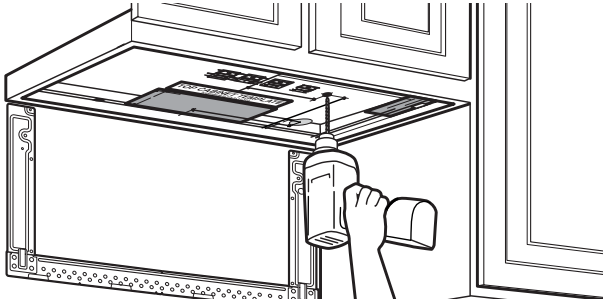


INSTALLATION INSTRUCTIONS

USE TOP CABINET TEMPLATE FOR PREPARATION OF TOP CABINET

A2

You need to drill holes for the top support screws, a hole large enough for the power cord to fit through, and a cutout large enough for the exhaust adaptor.

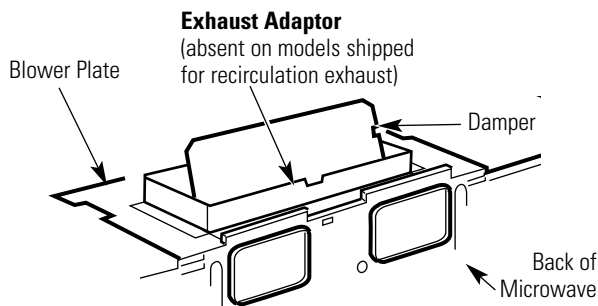


- Read the instructions on the **TOP CABINET TEMPLATE**.
- Tape it underneath the top cabinet.
- Drill the holes, following the instructions on the **TOP CABINET TEMPLATE**.

CAUTION: Wear safety goggles when drilling holes in the cabinet bottom.

CHECK FOR PROPER DAMPER OPERATION

A3



- Place the microwave in its upright position, with the top of the unit facing up.
- This microwave oven may be shipped assembled for top exhaust (adaptor installed) or for recirculation exhaust (adaptor absent).
- Make sure tape securing damper is removed and damper pivots easily before mounting microwave.
- You will need to make adjustments to assure proper alignment with your house exhaust duct after the microwave is installed.

MOUNT THE MICROWAVE OVEN

A4



FOR EASIER INSTALLATION AND PERSONAL SAFETY, WE RECOMMEND THAT TWO PEOPLE INSTALL THIS MICROWAVE OVEN.

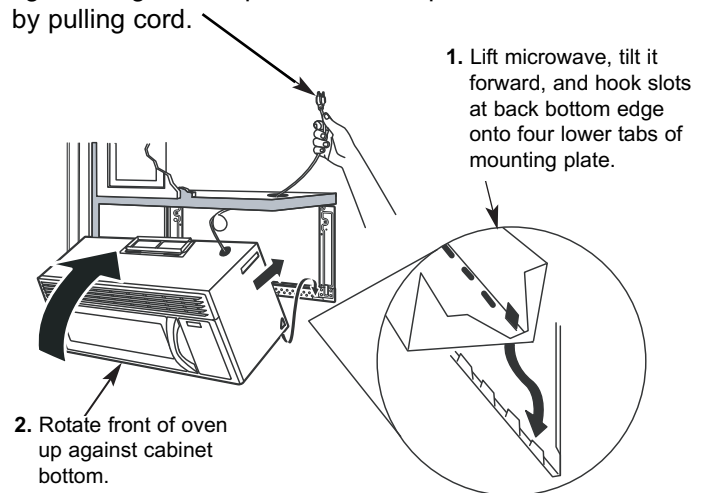
IMPORTANT: Do not grip or use handle during installation.

NOTE: If your cabinet is metal, use the nylon grommet around the power cord hole to prevent cutting of the cord.

NOTE: We recommend using filler blocks if the cabinet front hangs below the cabinet bottom shelf.

IMPORTANT: If filler blocks are not used, case damage may occur from overtightening screws.

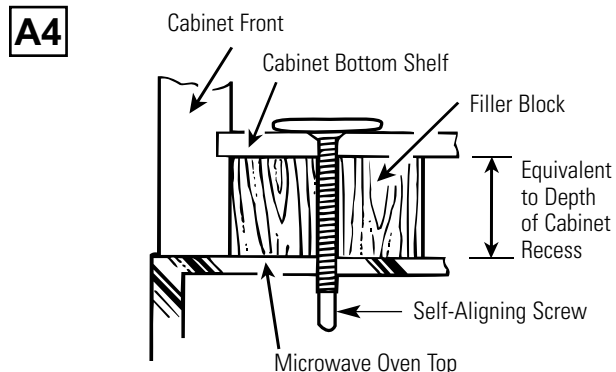
NOTE: When mounting the microwave oven, thread power cord through hole in bottom of top cabinet. Keep it tight throughout Steps 1–3. Do not pinch cord or lift oven by pulling cord.



1. Lift microwave, tilt it forward, and hook slots at back bottom edge onto four lower tabs of mounting plate.
2. Rotate front of oven up against cabinet bottom.
3. Insert a self-aligning screw through top center cabinet hole. Temporarily secure the oven by turning the screw at least two full turns after the threads have engaged. (It will be completely tightened later.) Be sure to keep power cord tight. Be careful not to pinch the cord, especially when mounting flush to bottom of cabinet.

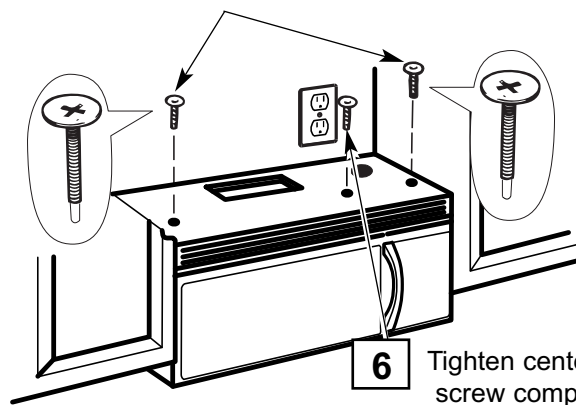
INSTALLATION INSTRUCTIONS

MOUNT THE MICROWAVE OVEN (cont.)

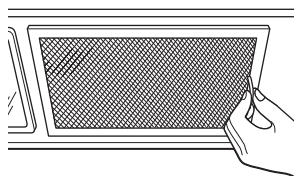


4 Attach the microwave oven to the top cabinet

5 Insert 2 self-aligning screws through outer top cabinet holes. Turn two full turns on each screw.



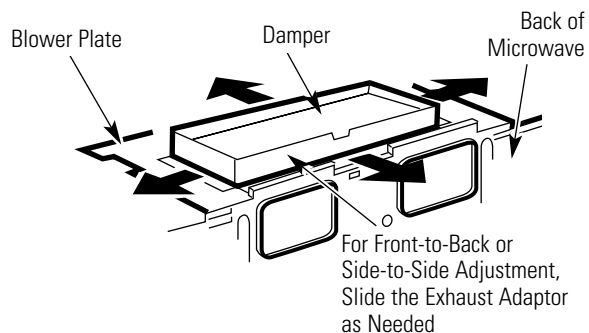
7 Tighten the outer two screws to the top of the microwave oven. (While tightening screws, hold the microwave oven in place against the wall and the top cabinet.)



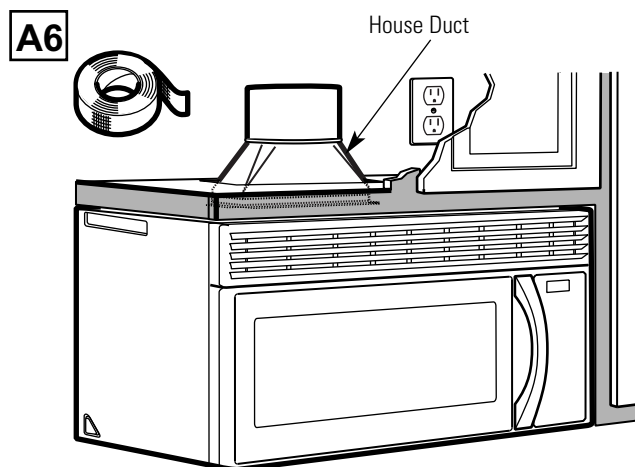
8 Install grease filters. See the Owner's Manual packed with the microwave.

ADJUST THE EXHAUST ADAPTOR

A5
Open the top cabinet and adjust the exhaust adaptor to connect to the house duct.



CONNECTING THE DUCTWORK



1 Extend the house duct down to connect to the exhaust adaptor.

2 Seal exhaust duct joints using duct tape.

INSTALLATION INSTRUCTIONS

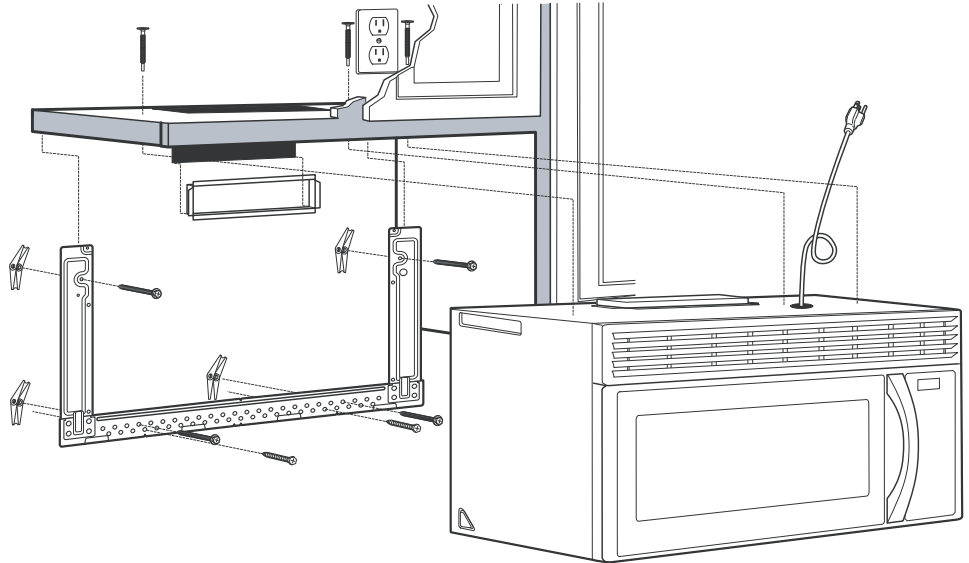
B OUTSIDE BACK EXHAUST (Horizontal Duct)

INSTALLATION OVERVIEW

- B1. Prepare Rear Wall
- B2. Remove Exhaust Adaptor
- B3. Attach Mounting Plate to Wall
- B4. Prepare Top Cabinet
- B5. Adjust Blower
- B6. Mount the Microwave Oven

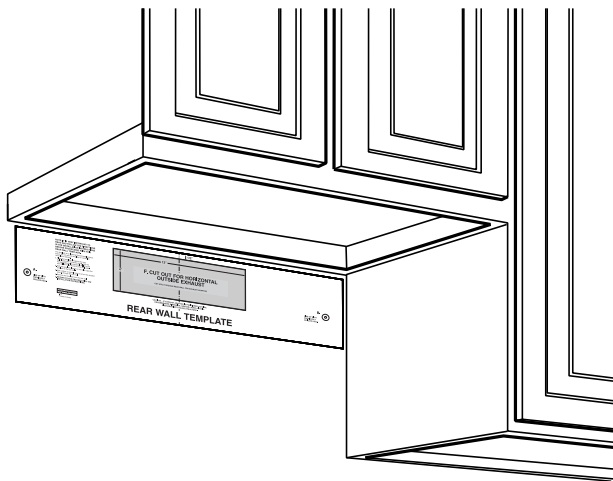
IMPORTANT NOTES:

- Make sure the screws for the blower motor and blower plate are securely tightened when they are reinstalled. This will help to prevent excessive vibration.
- Make sure the motor wiring has been properly routed and secured, and that the wires are not pinched.



PREPARING THE REAR WALL FOR OUTSIDE BACK EXHAUST

- B1** You need to cut an opening in the rear wall for outside exhaust.



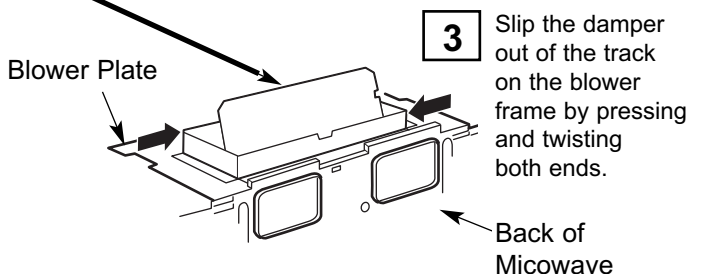
- Read the instructions on the REAR WALL TEMPLATE.
- Tape it to the rear wall, lining up with the holes previously drilled for holes A and B in the wall plate.
- Cut the opening, following the instructions of the REAR WALL TEMPLATE.

REMOVE EXHAUST ADAPTOR

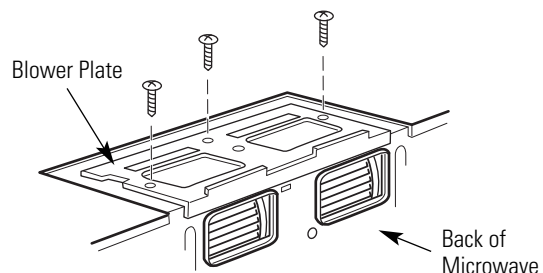
- B2** This microwave oven is shipped assembled for top exhaust. You will need the exhaust adaptor for installation in the rear wall opening. To remove the exhaust adaptor from the microwave oven:

- 1** Remove tape securing damper.

- 2** Raise damper flap.



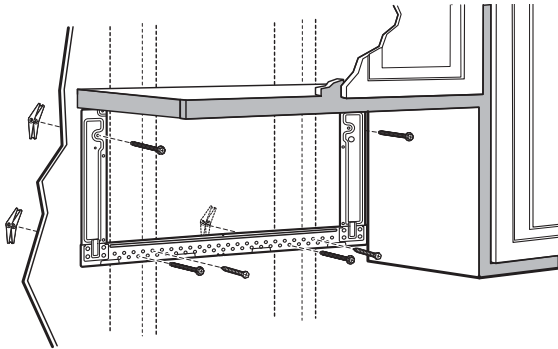
- 4** Remove and save the screw that holds the blower plate to the microwave. Lift off the blower plate.



INSTALLATION INSTRUCTIONS

PREPARING THE REAR WALL FOR OUTSIDE BACK EXHAUST

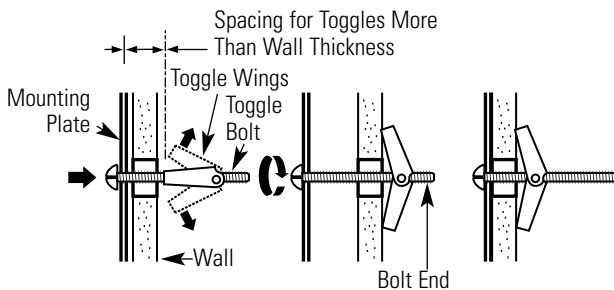
B3



Attach the plate to the wall using toggle bolts. At least one wood screw must be used to attach the plate to a wall stud.

- 1** Remove the toggle wings from the bolts.
- 2** Insert the bolts into the mounting plate through the holes designated to go into drywall and reattach the toggle wings to 3/4" onto each bolt.

TO USE TOGGLE BOLTS



- 3** Place the mounting plate against the wall and insert the toggle wings into the holes in the wall to mount the plate.

NOTE: Before tightening toggle bolts and wood screw, make sure the tabs on the mounting plate touch the bottom of the cabinet when pushed flush against the wall and that the plate is properly centered under the cabinet.

CAUTION

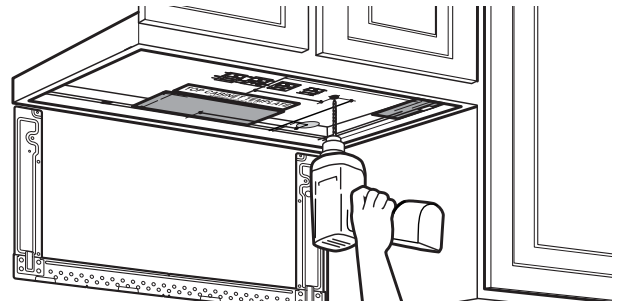
Be careful to avoid pinching fingers between the back of the mounting plate and the wall.

- 4** Tighten all bolts. Pull the plate away from the wall to help tighten the bolts.

USE TOP CABINET TEMPLATE FOR PREPARATION OF TOP CABINET

B4

You need to drill holes for the top support screws and a hole large enough for the power cord to fit through.



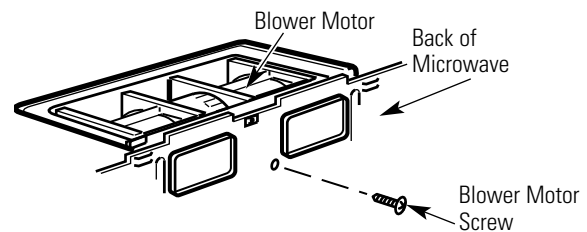
- Read the instructions on the TOP CABINET TEMPLATE.
- Tape it underneath the top cabinet.
- Drill the holes, following the instructions on the TOP CABINET TEMPLATE

CAUTION

Wear safety goggles when drilling holes in the cabinet bottom.

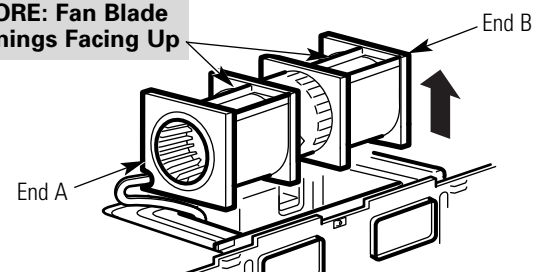
ADAPTING MICROWAVE BLOWER FOR OUTSIDE BACK EXHAUST

- B5 1** Remove and save screw that holds blower motor to microwave.



- 2** Carefully pull out the blower unit. The wires will extend far enough to allow you to adjust the blower unit.

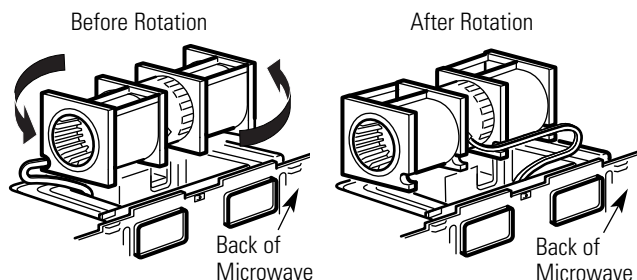
BEFORE: Fan Blade Openings Facing Up



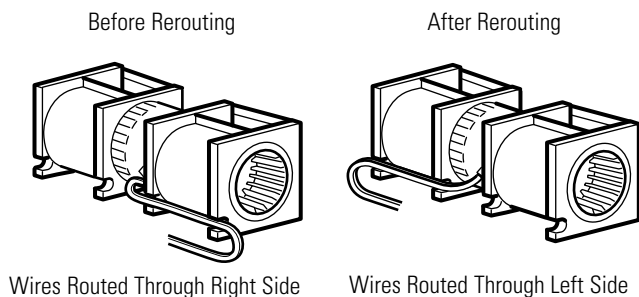
INSTALLATION INSTRUCTIONS

ADAPTING MICROWAVE BLOWER FOR OUTSIDE BACK EXHAUST (cont.)

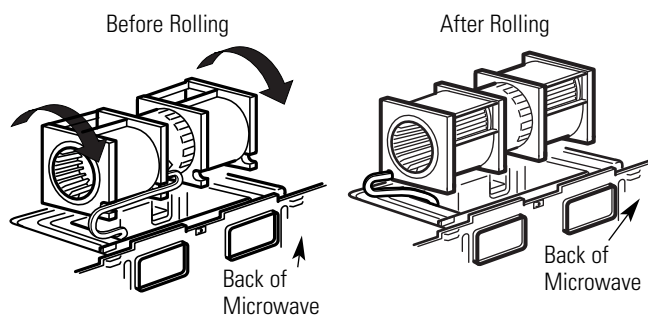
- 3** Rotate blower unit counterclockwise 180°.



- 4** Gently remove the wires from the grooves. Reroute the wires through grooves on other side of the blower unit.

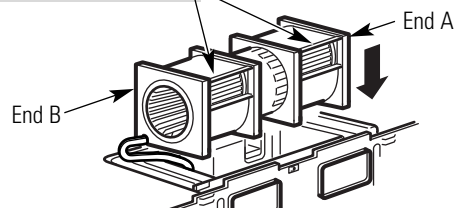


- 5** Roll the blower unit 90° so that fan blade openings are facing out the back of the microwave.



- 6** Place the blower unit back into the opening.

AFTER: Fan Blade Openings Facing Back

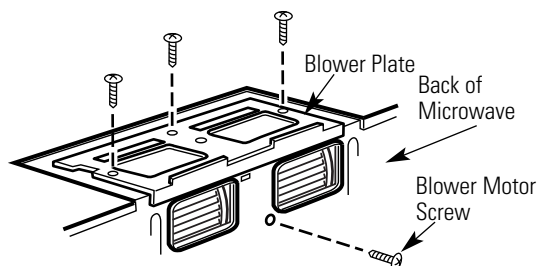


CAUTION

Do not pull or stretch the blower unit wiring. Make sure the wires are not pinched, and that they are properly secured.

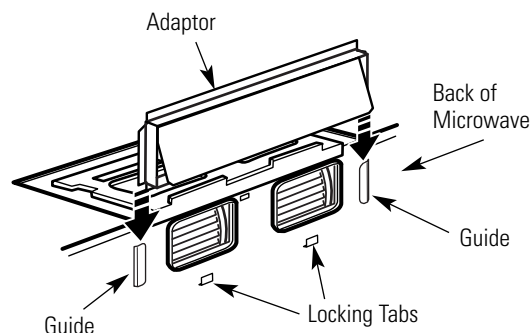
NOTE: The blower unit exhaust openings should match exhaust openings on rear of microwave oven.

- 7** Secure the blower unit to the microwave with the original screw.



- 8** Replace the blower plate in the same position as before with the screw. Make sure the screw is tight.

- 9** Attach the exhaust adaptor to the rear of the oven by sliding it into the guides at the top center of the back of the oven.

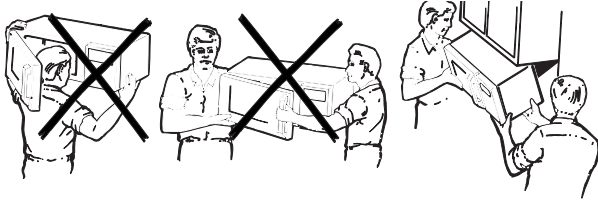


Push in securely until it is in the lower locking tabs. Take care to assure that the damper hinge is installed so that it is at the top and that the damper swings freely.

INSTALLATION INSTRUCTIONS

PREPARING THE REAR WALL FOR OUTSIDE BACK EXHAUST

B6



FOR EASIER INSTALLATION AND PERSONAL SAFETY, WE RECOMMEND THAT TWO PEOPLE INSTALL THIS MICROWAVE OVEN.

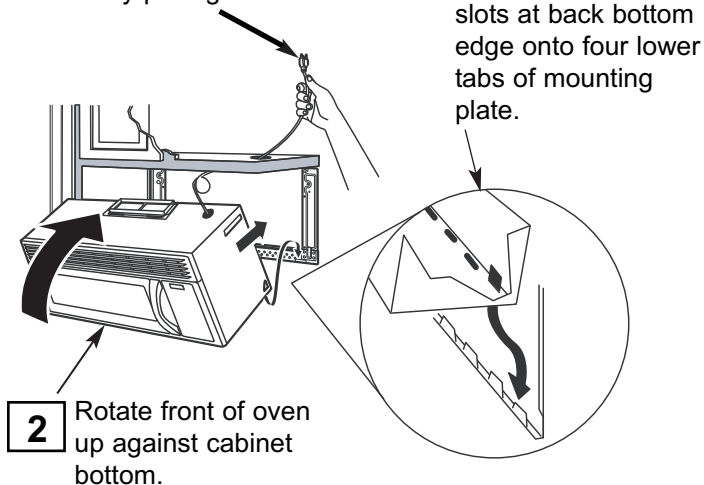
IMPORTANT: Do not grip or use handle during installation.

NOTE: If your cabinet is metal, use the nylon grommet around the power cord hole to prevent cutting of the cord.

NOTE: We recommend using filler blocks if the cabinet front hangs below the cabinet bottom shelf.

IMPORTANT: If filler blocks are not used, case damage may occur from overtightening screws.

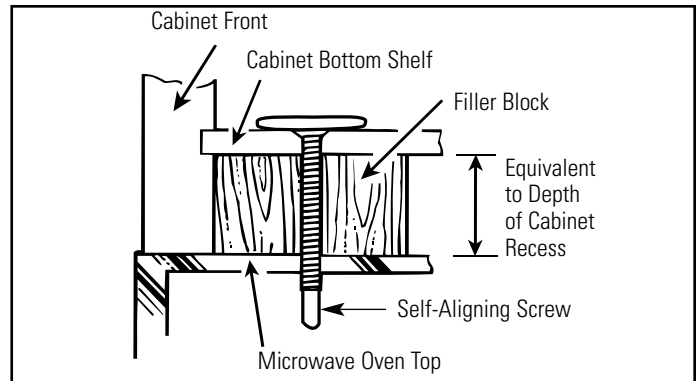
NOTE: When mounting the microwave oven, thread power cord through hole in bottom of top cabinet. Keep it tight throughout Steps 1–3. Do not pinch cord or lift oven by pulling cord.



1 Lift microwave, tilt it forward, and hook slots at back bottom edge onto four lower tabs of mounting plate.

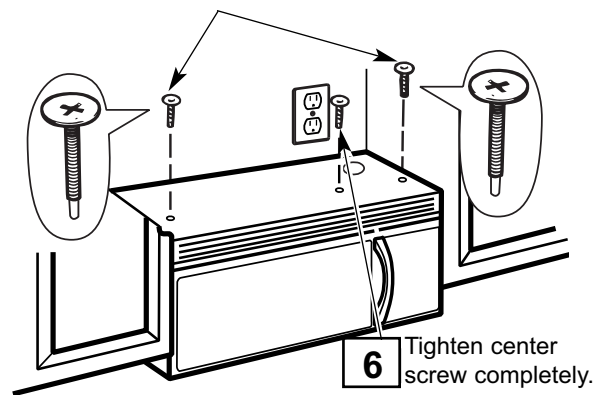
2 Rotate front of oven up against cabinet bottom.

3 Insert a self-aligning screw through top center cabinet hole. Temporarily secure the oven by turning the screw at least two full turns after the threads have engaged. (It will be completely tightened later.) Be sure to keep power cord tight. Be careful not to pinch the cord, especially when mounting flush to bottom of cabinet.



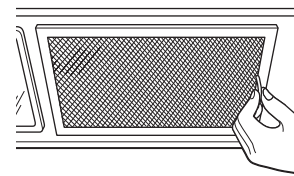
4 Attach the microwave oven to the top cabinet.

5 Insert 2 self-aligning screws through outer top cabinet holes. Turn two full turns on each screw.



6 Tighten center screw completely.

7 Tighten the outer two screws to the top of the microwave oven. (While tightening screws, hold the microwave oven in place against the wall and the top cabinet.)



8 Install grease filters. See the Owner's Manual packed with the microwave.

INSTALLATION INSTRUCTIONS

C RECIRCULATING (Non-Vented Ductless)

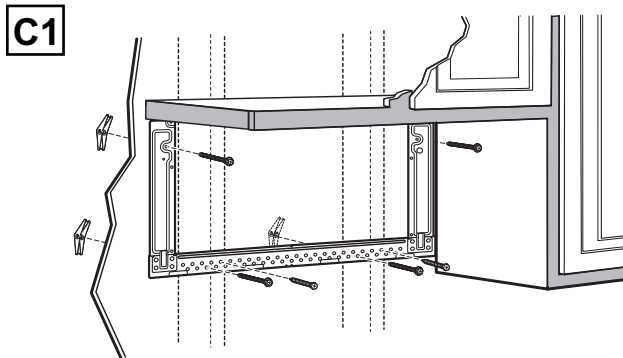
INSTALLATION OVERVIEW

- C1. Attach Mounting Plate to Wall
- C2. Prepare Top Cabinet
- C3. Check Microwave Assembly
- C4. Adjust Blower
- C5. Mount the Microwave Oven
- C6. Install Charcoal Filter

IMPORTANT NOTES:

- Make sure the screws for the blower motor and blower plate are securely tightened when they are reinstalled. This will help to prevent excessive vibration.
- Make sure the motor wiring has been properly routed and secured, and that the wires are not pinched.

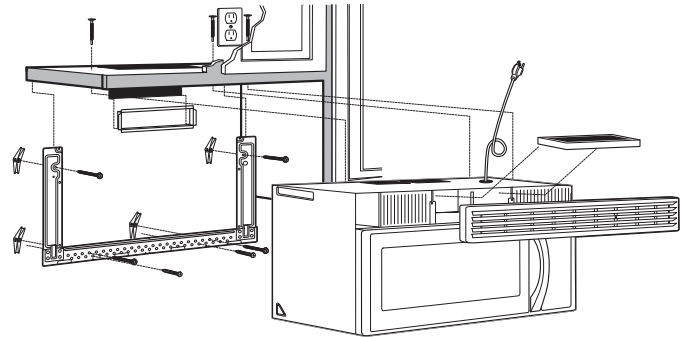
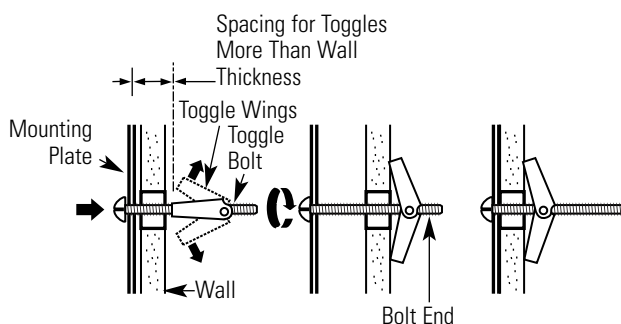
ATTACH THE MOUNTING PLATE TO THE WALL



Attach the plate to the wall using toggle bolts. At least one wood screw must be used to attach the plate to a wall stud.

- 1 Remove the toggle wings from the bolts.
- 2 Insert the bolts into the mounting plate through the holes designated to go into drywall and reattach the toggle wings to 3/4" onto each bolt.

TO USE TOGGLE BOLTS



- 3 Place the mounting plate against the wall and insert the toggle wings into the holes in the wall to mount the plate.

NOTE: Before tightening toggle bolts and wood screw, make sure the tabs on the mounting plate touch the bottom of the cabinet when pushed flush against the wall and that the plate is properly centered under the cabinet.

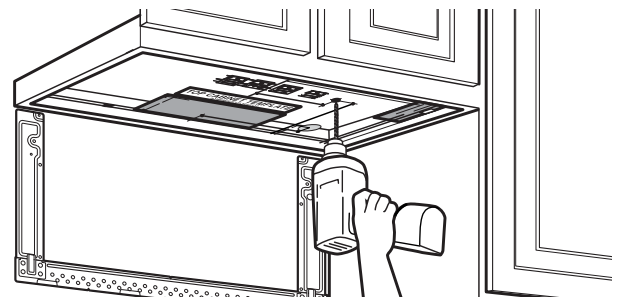
CAUTION

Be careful to avoid pinching fingers between the back of the mounting plate and the wall. Tighten all bolts. Pull the plate away from the wall to help tighten the bolts.

- 4 Tighten all bolts. Pull the plate away from the wall to help tighten the bolts.

USE TOP CABINET TEMPLATE FOR PREPARATION OF TOP CABINET

You need to drill holes for the top support screws and a hole large enough for the power cord to fit through.



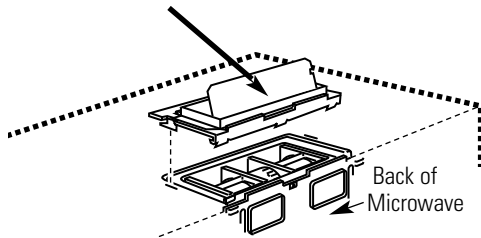
- Read the instructions on the TOP CABINET TEMPLATE.
- Tape it underneath the top cabinet.
- Drill the holes, following the instructions on the TOP CABINET TEMPLATE.

CAUTION: Wear safety goggles when drilling holes in the cabinet bottom.

INSTALLATION INSTRUCTIONS

CHECK MICROWAVE ASSEMBLY

- C3** Exhaust Adaptor (absent on models shipped for recirculation exhaust)



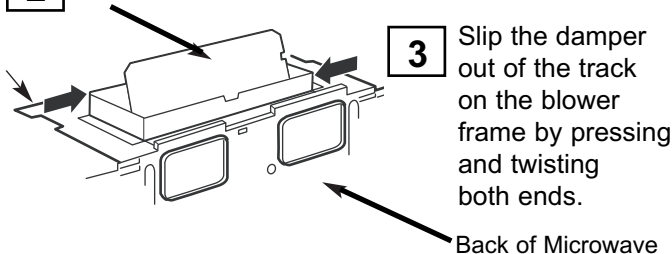
- Place the microwave in its upright position, with the top of the unit facing up.
- The microwave oven may be shipped assembled for top exhaust (adaptor installed) or for recirculation exhaust (adaptor absent).
- If the microwave was shipped for recirculation exhaust, skip to C5. If shipped for top exhaust, proceed with C4.

ADAPTING MICROWAVE BLOWER FOR RECIRCULATION

C4

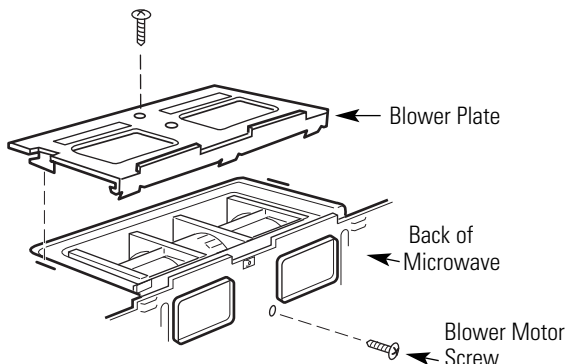
- 1** Remove tape securing damper.

- 2** Raise damper flap



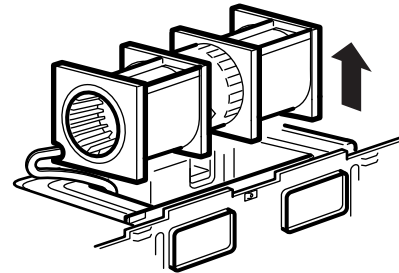
- 3** Slip the damper out of the track on the blower frame by pressing and twisting both ends.

- 4** Remove the screw that holds the blower plate to the microwave. Remove and save the screw holding the blower motor to the microwave.



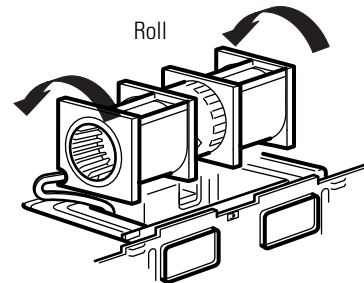
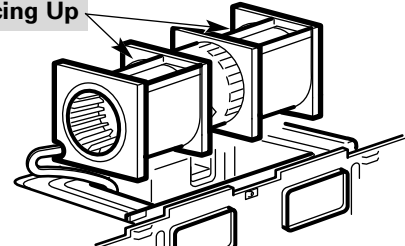
NOTE: The blower plate will be reinstalled in a later step. The damper is not needed for recirculating models. Save any unused parts for possible future use.

- 5** Carefully pull out the blower unit. The wires will extend far enough to allow you to adjust the blower unit.

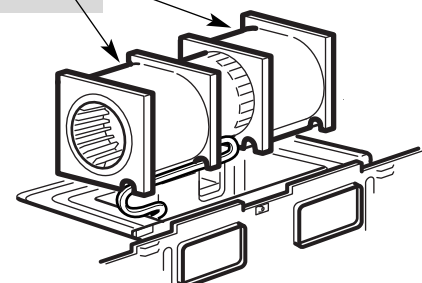


- 6** Roll the blower unit 90° so that fan blade openings are facing toward the front of the microwave.

BEFORE: Fan Blade Openings Facing Up



AFTER: Fan Blade Openings Facing Forward



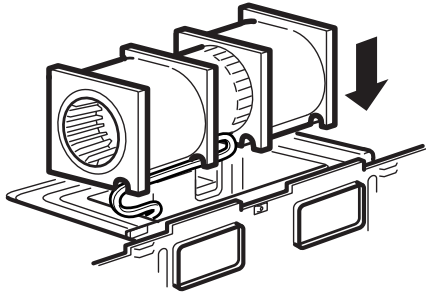
NOTE: Make sure wires remain routed in the grooves of the motor frame.

INSTALLATION INSTRUCTIONS

ADAPTING MICROWAVE BLOWER FOR RECIRCULATION

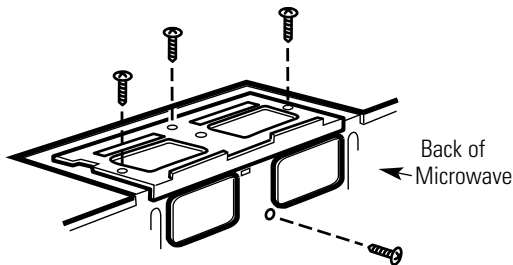
C4 (cont.)

- 7** Place the blower unit back into the opening. **CAUTION:** Do not pull or stretch the blower unit wiring. Make sure the wires are not pinched, and that they are properly secured.



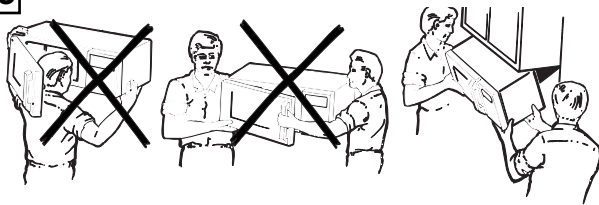
- 8** Secure blower unit to microwave with the screw removed in Step 4. Make sure the screw is tight.

- 9** Replace blower plate with the screw removed in Step 1. Make sure the screw is tight.



MOUNT THE MICROWAVE OVEN

C5



FOR EASIER INSTALLATION AND PERSONAL SAFETY, WE RECOMMEND THAT TWO PEOPLE INSTALL THIS MICROWAVE OVEN.

IMPORTANT: Do not grip or use handle during installation.

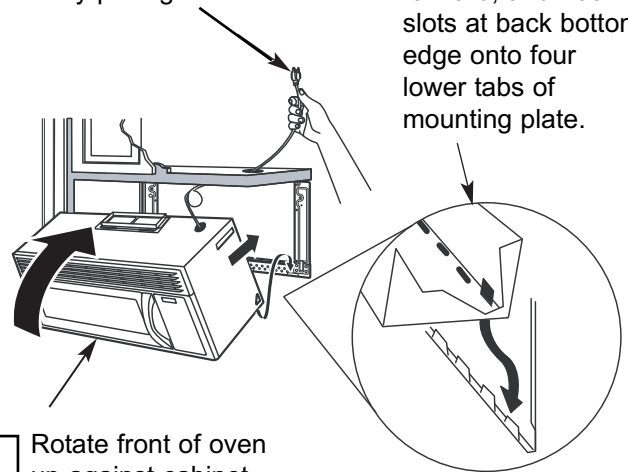
NOTE: If your cabinet is metal, use the nylon grommet around the power cord hole to prevent cutting of the cord.

NOTE: We recommend using filler blocks if the cabinet front hangs below the cabinet bottom shelf.

IMPORTANT: If filler blocks are not used, case damage may occur from overtightening screws.

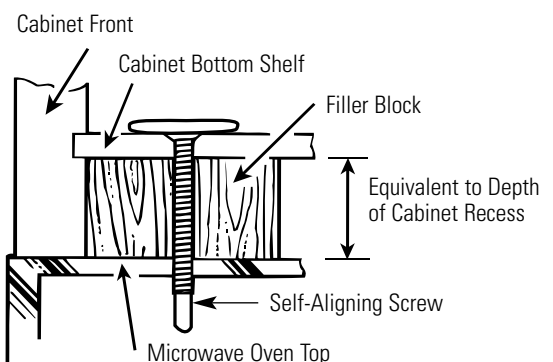
NOTE: When mounting the microwave oven, thread power cord through hole in bottom of top cabinet. Keep it tight throughout Steps 1–3. Do not pinch cord or lift oven by pulling cord.

- 1** Lift microwave, tilt it forward, and hook slots at back bottom edge onto four lower tabs of mounting plate.



- 2** Rotate front of oven up against cabinet bottom.

- 3** Insert a self-aligning screw through top center cabinet hole. Temporarily secure the oven by turning the screw at least two full turns after the threads have engaged. (It will be completely tightened later.) Be sure to keep power cord tight. Be careful not to pinch the cord, especially when mounting flush to bottom of cabinet.



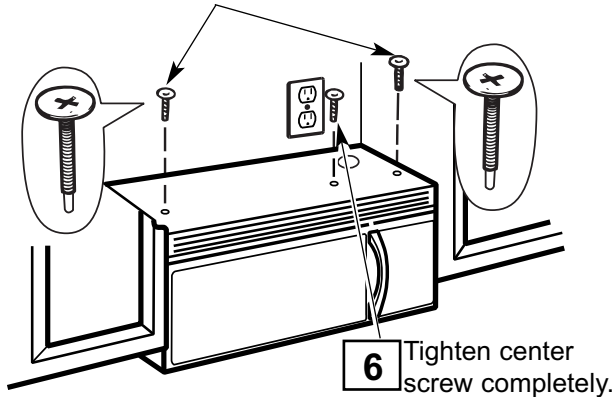
- 4** Attach the microwave oven to the top cabinet.

INSTALLATION INSTRUCTIONS

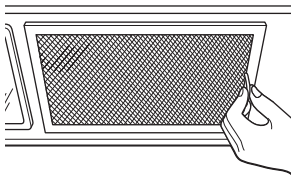
MOUNT THE MICROWAVE OVEN

C5 (cont.)

- 5** Insert 2 self-aligning screws through outer top cabinet holes. Turn two full turns on each screw.



- 7** Tighten the outer two screws to the top of the microwave oven. (While tightening screws, hold the microwave oven in place against the wall and the top cabinet.)

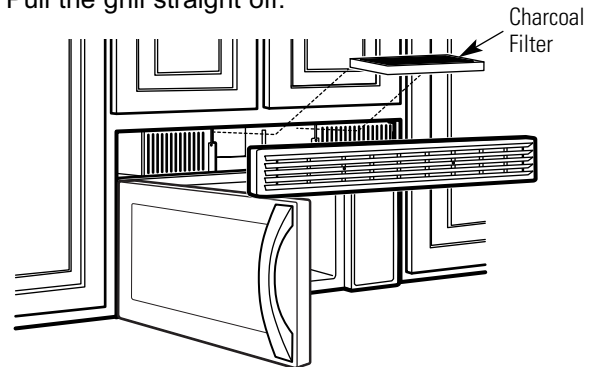


- 8** Install grease filters. See the Owner's Manual packed with the microwave.

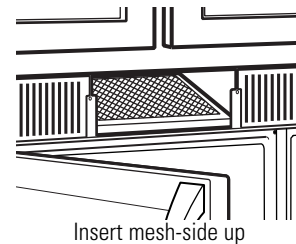
INSTALLING THE CHARCOAL FILTER

C6

- 1** Remove screws on top of out case using a #1 Phillips screwdriver.
- 2** Open the door
- 3** Remove the grill
Pull the grill straight off.



- 4** Install the charcoal filter. When properly installed, the wire mesh of the filter should be visible from the front.
- 5** Replace the grille and the screws.
- 6** Close the door



INSTALLATION INSTRUCTIONS

BEFORE YOU USE YOUR MICROWAVE

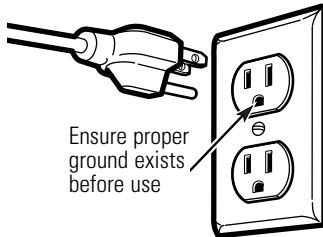
- 1** Make sure the microwave oven has been installed according to instructions.



- 7** KEEP INSTALLATION INSTRUCTIONS FOR THE LOCAL INSPECTOR'S USE.



- 2** Remove all packing material from the microwave oven.
- 4** Replace house fuse or turn breaker back on.
- 5** Plug power cord into a dedicated 15- to 20-amp electrical outlet.



- 6** Read the Owner's Manual.

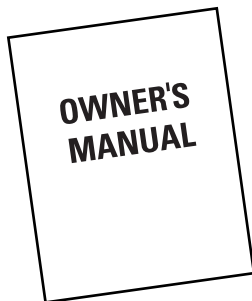


TABLE DES MATIÈRES

Renseignements d'ordre général

Consignes importantes relatives à la sécurité	2
Exigences électriques	2
Ventilation de la hotte	3,4
Dommages causés lors du transport/de l'installation	5
Pièces comprises	5
Outils dont vous aurez besoin	6
Espace nécessaire pour l'installation	6

Guide d'installation étape par étape

Positionnement de la plaque de montage	7-9
Comment enlever la plaque de montage	7
Comment trouver les poteaux muraux	7
Comment déterminer l'emplacement de l'applique	8
Comment positionner l'applique	9

CAUTION:

Read and follow all safety rules and operating instructions before first use of this product.

PRECAUTION:

Veillez lire attentivement les consignes de sécurité et les instructions d'utilisation avant l'utilisation initiale de ce produit.

A Types d'installation..... 10-21

Évacuation à l'extérieur par le dessus	11-13
Comment fixer la plaque de montage au mur	11
Préparation de l'armoire supérieure	12
Vérification du bon fonctionnement du registre	12
Fixation du four à micro-ondes	12,13
Ajustement de l'adaptateur d'évacuation	13
Raccordement des conduits	13

B Évacuation à l'extérieur par l'arrière..... 14-17

Préparation du mur arrière pour l'évacuation à l'extérieur par l'arrière	14
Comment enlever l'adaptateur d'évacuation	14
Comment fixer la plaque de montage au mur	15
Préparation de l'armoire supérieure	15
Adaptation du ventilateur du four à micro-ondes pour l'évacuation à l'extérieur par l'arrière	15-16
Fixation du four à micro-ondes	17

C Recyclage d'air

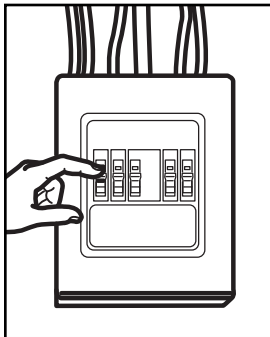
Recyclage d'air	18-21
Comment fixer la plaque de montage au mur	18
Préparation de l'armoire supérieure	18
Vérification de l'assemblage du four à micro-ondes	19
Adaptation du ventilateur du four à micro-ondes pour le recyclage d'air	19-20
Fixation du four à micro-ondes	20-21
Installation du filtre à charbon	21

Avant d'utiliser votre four à micro-ondes

NOTICE D'INSTALLATION

CONSIGNES RELATIVES À LA SÉCURITÉ

Une prise de courant à trois alvéoles avec mise à la terre est nécessaire pour ce produit. Avant d'entreprendre l'installation, l'installateur doit vérifier la continuité de la mise à la terre à la boîte à prises de la prise de courant pour s'assurer que cette dernière est correctement mise à la terre. Si ce n'est pas le cas, ou si la boîte à prises ne répond pas aux exigences électriques indiquées (à la section EXIGENCES ÉLECTRIQUES), il faut faire appel à un électricien qualifié pour corriger tout défaut.



⚠ MISE EN GARDE

Pour votre sécurité, enlevez le fusible ou déclenchez le disjoncteur avant de commencer l'installation pour éviter les blessures graves ou mortelles pouvant être causées par les chocs électriques.

⚠ MISE EN GARDE

Pour votre sécurité, la surface de montage doit être en mesure de soutenir la charge de l'armoire, en plus du poids supplémentaire de ce produit pouvant se situer entre 63 et 85 livres, plus des charges supplémentaires du four pouvant atteindre 50 livres, ou un poids total pouvant se situer entre 113 et 135 livres.

⚠ MISE EN GARDE

Pour votre sécurité, ce produit ne peut pas être installé dans des armoires aménagées en îlot ou en péninsule. Il doit être fixé à LA FOIS à une armoire supérieure ET à un mur.

REMARQUE: Pour faciliter l'installation et pour votre sécurité, il est recommandé que ce produit soit installé par deux personnes.

IMPORTANT - VEUILLEZ LIRE ATTENTIVEMENT POUR VOTRE SÉCURITÉ, CET APPAREIL DOIT ÊTRE MIS À LA TERRE CORRECTEMENT POUR ÉVITER LES CHOCs ÉLECTRIQUES GRAVES OU MORTELS.



Assurez-vous qu'une mise à la terre correcte est présente avant l'utilisation

Le cordon d'alimentation de cet appareil est équipé d'une fiche à trois broches (de mise à la terre) qui doit être insérée dans une prise murale standard à trois alvéoles (de mise à la terre) pour minimiser la possibilité de chocs électriques causés par cet appareil.

La prise murale et le circuit électrique doivent être vérifiés par un électricien qualifié afin de vous assurer que la prise est correctement mise à la terre. Si vous avez une prise murale standard à deux alvéoles, il est très important de la faire remplacer par une prise à trois alvéoles correctement mise à la terre installée en vous adressant à un électricien qualifié.

VOUS NE DEVEZ EN AUCUN CAS COUPER, DÉFORMER OU ENLEVER L'UNE DES BROCHES QUI SE TROUVE SUR LE CORDON D'ALIMENTATION. N'UTILISEZ PAS DE RALLONGE.

EXIGENCES ÉLECTRIQUES

Les valeurs nominales pour ce produit sont les suivantes : 120 volts c.a., 60 Hertz, 15 ampères et 1,58 kilowatts. Ce produit doit être branché sur un circuit d'alimentation dont la tension et la fréquence sont correctes. La taille des câbles doit respecter les exigences du Code national de l'électricité ou du code local en vigueur pour cette valeur en kilowatts. La fiche du cordon d'alimentation doit être branchée sur une prise avec mise à la terre de 15 à 20 ampères sur un circuit de dérivation séparé. La boîte à prises doit se trouver dans l'armoire située au-dessus du four à micro-ondes. La boîte à prises et le circuit d'alimentation doivent être installés par un électricien qualifié et respecter le Code national de l'électricité ou le code local en vigueur.


NOTICE D'INSTALLATION




ÉVACUATION DE LA HOTTE

REMARQUE : Ne lisez les deux pages suivantes que si vous décidez d'évacuer l'air du ventilateur à l'extérieur. Si vous décidez de recycler l'air dans la pièce, passez à la page 6.

ÉVACUATION À L'EXTÉRIEUR PAR LE DESSUS (EXEMPLE SEULEMENT)

Le tableau suivant décrit une façon possible d'installer les conduits.







PIÈCES DES CONDUITS		LONGUEUR ÉQUIVALENTE	x	NOMBRE UTILISÉ	=	LONGUEUR ÉQUIVALENTE
	Évent de toiture	24 pi	x	(1)	=	24 pi
	Conduit droit de 12 pi (rond de 6 po de diamètre)	12 pi	x	(1)	=	12 pi
	Adaptateur de transition rectangulaire à rond*	5 pi	x	(1)	=	5 pi
Les longueurs équivalentes des pièces des conduits sont fondées sur des tests réels et reflètent les exigences à suivre pour une bonne ventilation avec n'importe quelle hotte.					Longueur totale =	41 pi

* **IMPORTANT :** Si un adaptateur de transition rectangulaire à rond est utilisé, les coins inférieurs du registre devront être coupés aux dimensions de l'adaptateur au moyen des cisailles de ferblantier afin que le registre puisse se déplacer sans être gêné.

ÉVACUATION À L'EXTÉRIEUR PAR LE DESSUS (EXEMPLE SEULEMENT)

Le tableau suivant décrit une façon possible d'installer les conduits.



PIÈCES DES CONDUITS		LONGUEUR ÉQUIVALENTE	x	NOMBRE UTILISÉ	=	LONGUEUR ÉQUIVALENTE
	Évent mural	40 pi	x	(1)	=	40 pi
	Conduit droit de 3 pi (rectangulaire de 3¼ po x 10 po)	3 pi	x	(1)	=	3 pi
	Coude de 90 degrés	10 pi	x	(2)	=	20 pi
Les longueurs équivalentes des pièces des conduits sont fondées sur des tests réels et reflètent les exigences à suivre pour une bonne ventilation avec n'importe quelle hotte.					Longueur totale =	63 pi

REMARQUE : Dans le cas d'une évacuation par l'arrière, il faut s'assurer d'aligner le conduit d'évacuation avec les espaces entre les poteaux muraux; il est également possible de préparer le mur lors de sa construction en laissant suffisamment d'espace entre les poteaux muraux pour recevoir le conduit.

NOTICE D'INSTALLATION

REMARQUE : Si vous devez installer des conduits, veuillez noter que la longueur totale des conduits rectangulaires de 3¼ po x 10 po ou ronds de 6 po de diamètre ne doit pas dépasser une longueur équivalente de 140 pieds. L'évacuation à l'extérieur nécessite un CONDUIT D'ÉVACUATION POUR HOTTE. Lisez attentivement les remarques suivantes.

REMARQUE : Il est important que l'évacuation soit installée en empruntant le chemin le plus direct et en utilisant le moins de coudes possible. Cela permet une évacuation directe de l'air et contribue à éviter les blocages. Assurez-vous également que les registres pivotent librement et que rien n'obstrue les conduits.

RACCORDEMENT DE L'ÉVACUATION AU CONDUIT


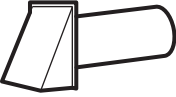


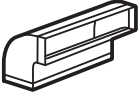
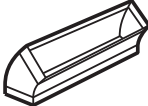


L'évacuation pour hotte a été conçue pour être raccordée à un conduit rectangulaire standard de 3¼ po x 10 po. Si un conduit rond est nécessaire, un adaptateur de transition rectangulaire à rond doit être utilisé. N'utilisez pas de conduit ayant un diamètre inférieur à 6 po.

LONGUEUR MAXIMALE DES CONDUITS

Pour permettre une circulation satisfaisante de l'air, la longueur totale des conduits rectangulaires de 3¼ po x 10 po ou ronds de 6 po de diamètre ne doit pas dépasser une longueur équivalente de 140 pieds.

COUDES, ADAPTATEURS DE TRANSITION, ÉVÉNEMENTS DE TOIT ET MURAUX, ETC.

Ces éléments offrent une résistance accrue à la circulation de l'air et sont équivalents à une section de conduit droit plus longue que leurs dimensions physiques réelles. Lorsque vous calculez la longueur totale des conduits, additionnez les longueurs équivalentes de l'ensemble des adaptateurs de transition plus la longueur de toutes les sections de conduit droit. Le tableau ci-dessous vous indique comment calculer la longueur équivalente totale des conduits en utilisant la longueur équivalente en pieds approximative de certains conduits types.

PIÈCES DES CONDUITS		LONGUEUR ÉQUIVALENTE	x	NOMBRE UTILISÉ	=	LONGUEUR ÉQUIVALENTE
	Adaptateur de transition rectangulaire à rond*	5 pi	x	()	=	pi
	Évent mural	40 pi	x	()	=	pi
	Coude	10 pi	x	()	=	pi
	Coude de 45 degrés	5 pi	x	()	=	pi
	Coude de 90 degrés	25 pi	x	()	=	pi
	Coude de 45 degrés	5 pi	x	()	=	pi
	Évent de toiture	24 pi	x	()	=	pi
	Conduit droit de 6 po de diamètre ou rectangulaire de 3¼ po x 10 po	1 pi	x	()	=	pi
Longueur totale des conduits					=	pi



* **IMPORTANT :** Si un adaptateur de transition rectangulaire à rond est utilisé, les coins inférieurs du registre devront être coupés aux dimensions de l'adaptateur au moyen des cisailles de ferblantier afin que le registre puisse se déplacer sans être gêné.

Les longueurs équivalentes des pièces des conduits sont fondées sur des tests réels et reflètent les exigences à suivre pour une bonne ventilation avec n'importe quelle hotte.


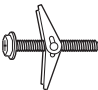


NOTICE D'INSTALLATION

DOMMAGES CAUSÉS LORS DU TRANSPORT OU DE L'INSTALLATION

- Si l'appareil est endommagé pendant le transport, retournez-le au magasin où il a été acheté afin d'être réparé ou remplacé.
- Si l'appareil est endommagé par le client, les réparations ou le remplacement lui incombent.
- Si l'appareil est endommagé par l'installateur (si celui-ci n'est pas le client), le client et l'installateur doivent s'entendre pour les réparations ou le remplacement.

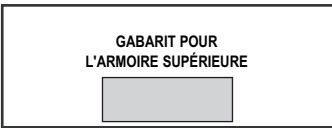


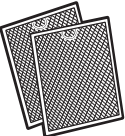
PIÈCES COMPRISES

TROUSSE DE QUINCAILLERIE

PIÈCE		QUANTITÉ
	Vis à bois (1/4 po x 2 po)	2
	Boulons à ailettes (et écrous à oreilles) (3/16 po x 3 po)	4
	Vis à métaux à positionnement automatique (1/4 po-28 x 3 1/4 po)	3
	Passe-fil en nylon (pour les armoires en métal)	2

Les ferrures requises pour l'installation se trouvent dans un sac accompagnant l'appareil. Assurez-vous que toutes ces pièces sont présentes.

PIÈCES SUPPLÉMENTAIRES

	Gabarit pour l'armoire supérieure	1
	Gabarit pour le mur arrière	1
	Notice d'installation	1
	Filtres à graisse emballés séparément	2

NOTICE D'INSTALLATION

LES OUTILS DONT VOUS AUREZ BESOIN



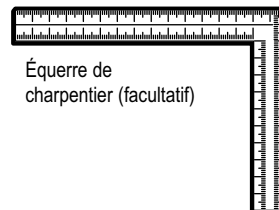
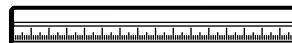
Tournevis cruciforme n° 1



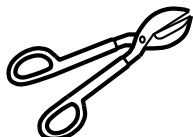
Crayon



Règle et ruban à mesurer et règle de vérification



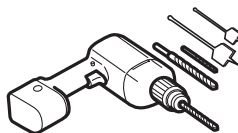
Équerre de charpentier (facultatif)



Cisailles de ferblantier (pour tailler le registre, au besoin)



Ciseaux (pour couper le gabarit, au besoin)



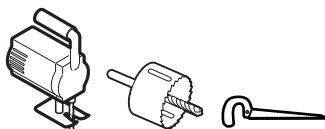
Perceuse électrique avec mèches de 3/16 po, de 1/2 po et de 5/8 po



Cales ou blocs de bois, au besoin, pour l'espacement de l'armoire supérieure (utilisé pour les installations d'armoires à fond avec retrait seulement)



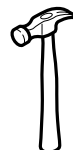
Gants



Scie (sauteuse, cylindrique ou à guichet)



Localisateur de poteaux ou Marteau (facultatif)



Lunettes de sécurité

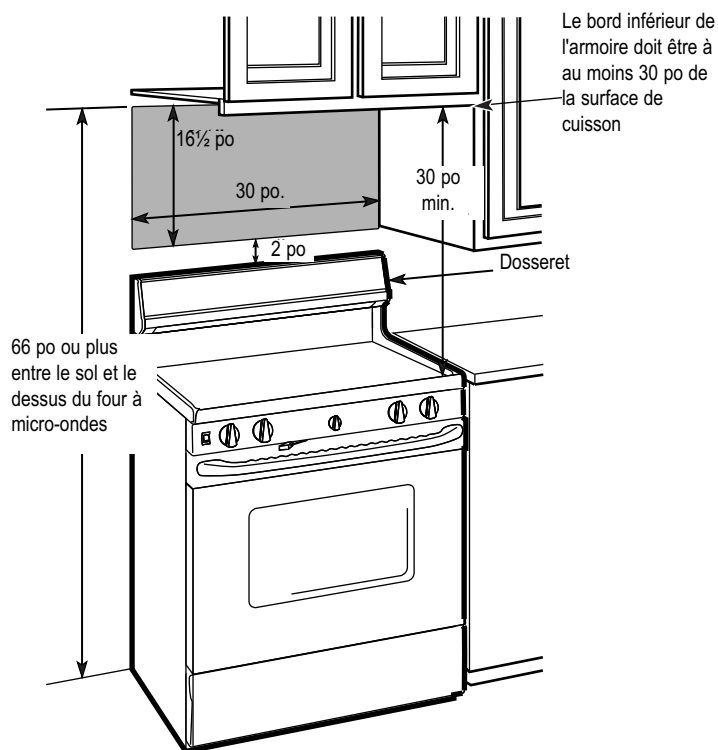


Niveau



Ruban à conduits et ruban-cache

ESPACE DE MONTAGE



REMARQUES :

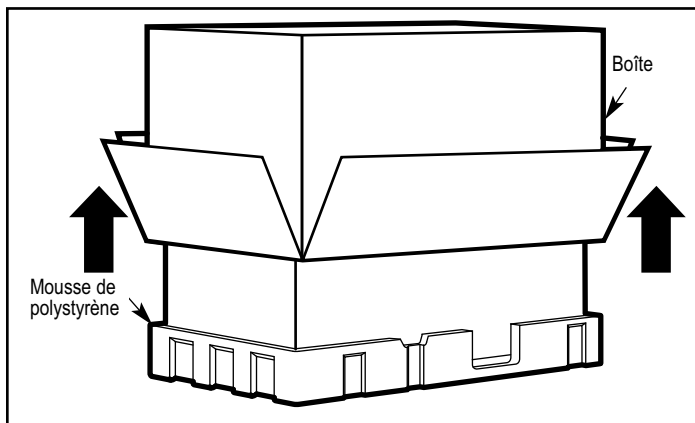
- L'espace entre les armoires doit avoir une largeur de 30 po et ne présenter aucune obstruction.
- Si l'espace entre les armoires est supérieure à 30 po, un ensemble de panneaux de remplissage peut être utilisé pour remplir l'espace qui sépare le four à micro-ondes des armoires. Votre guide de l'utilisateur contient le numéro de l'ensemble convenant à votre modèle.
- Ce four à micro-ondes convient à une installation au-dessus de cuisinières ayant une largeur maximale de 36 po.
- Si l'évacuation de l'air de votre four à micro-ondes s'effectue vers l'extérieur, reportez-vous à la section Évacuation de la hotte pour la préparation du conduit d'évacuation.
- Si le four à micro-ondes est installé sous des armoires lisses et plates, assurez-vous de suivre les instructions figurant sur le gabarit de l'armoire supérieure pour obtenir le dégagement du cordon d'alimentation.

NOTICE D'INSTALLATION

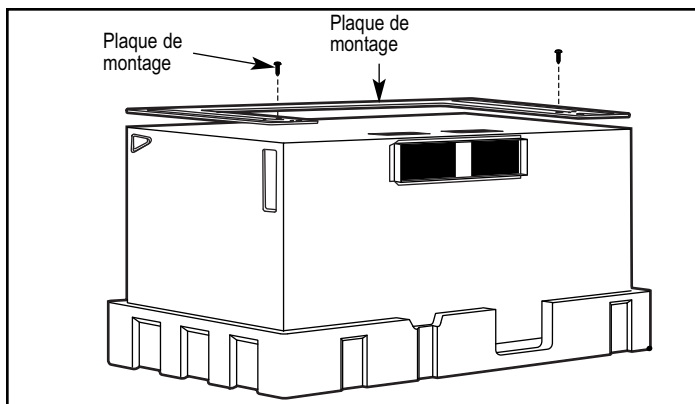
1 POSITIONNEMENT DE LA PLAQUE DE MONTAGE

A COMMENT SORTIR LE FOUR À MICRO-ONDES DE LA BOÎTE / COMMENT ENLEVER LA PLAQUE DE MONTAGE

1. Enlevez la notice d'installation, les filtres, le plateau en verre et le petit sac de quincaillerie. N'enlevez pas la mousse de polystyrène qui protège le devant du four.
2. Repliez complètement les 4 rabats contre les côtés de la boîte. Ensuite, retournez le four et la boîte sur le dessus avec précaution. Le four doit se trouver sur la mousse de polystyrène.

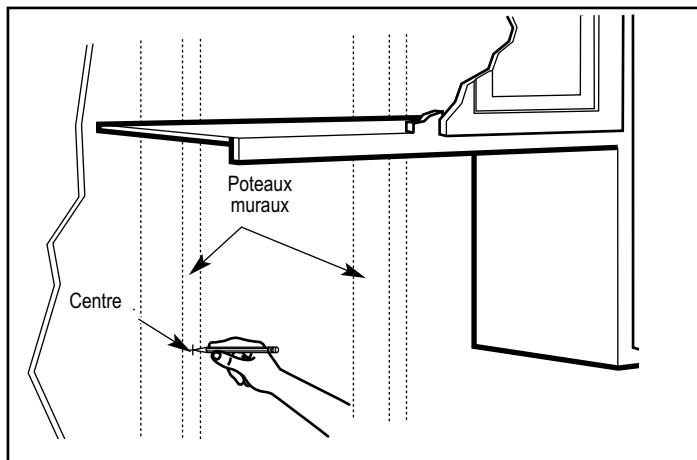


3. Tirez la boîte vers le haut pour dégager le four.
4. Enlevez les sacs en plastique et jetez-les convenablement.



Enlevez les vis qui se trouvent sur la plaque de montage. Cette plaque sera utilisée comme gabarit pour le mur arrière et pour le montage. Vous pouvez jeter ces vis.

B Comment trouver les poteaux muraux



1. Trouvez les poteaux muraux en utilisant l'une des méthodes suivantes :
 - A. À l'aide d'un localisateur de poteaux, un appareil magnétique qui permet de trouver les clous.

OU

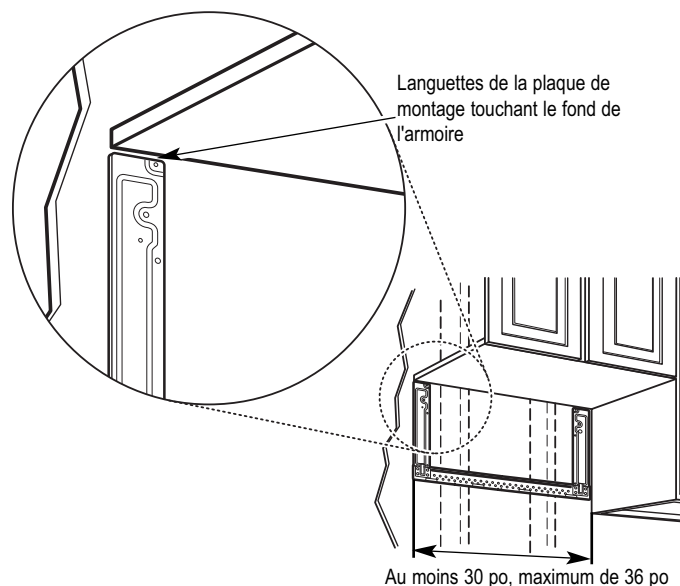
 - B. Utilisez un marteau pour tapoter doucement la surface où le four sera fixé jusqu'à ce que vous trouviez un endroit où le son est plein. Cela indique l'emplacement d'un poteau.
2. Après avoir trouvé le(s) poteau(x), trouvez le centre en sondant au moyen d'un petit clou pour trouver les bords du poteau. Marquez ensuite un emplacement qui se trouve à mi-chemin entre les deux bords. Le centre de tout poteau adjacent devrait se trouver à 16 po ou à 24 po de cette marque.
 3. Tracez une ligne le long du centre de chaque montant.

LE FOUR À MICRO-ONDES DOIT ÊTRE FIXÉ À AU MOINS UN POTEAU MURAL.

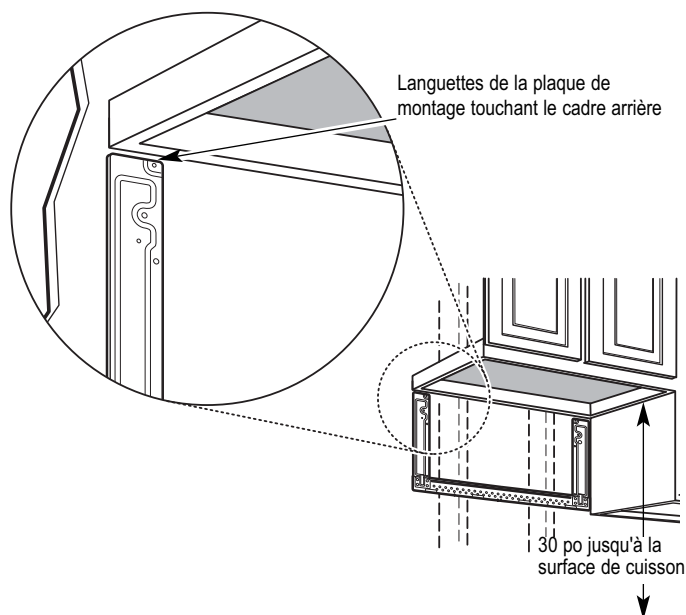
NOTICE D'INSTALLATION

COMMENT DÉTERMINER L'EMPLACEMENT DE L'APPLIQUE SOUS L'ARMOIRE

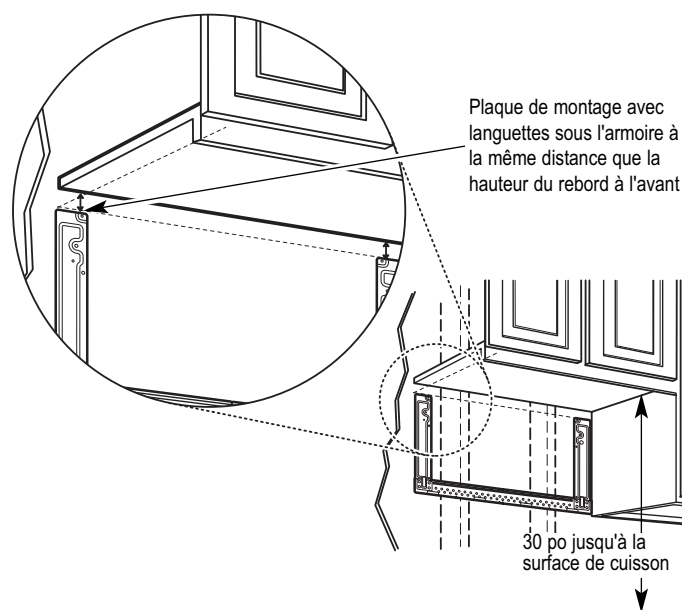
C Position de l'applique - sous une armoire dont le fond est plat



Position de l'applique - sous une armoire dont le fond comporte une garniture en retrait



Position de l'applique - sous une armoire dont le fond comporte un rebord à l'avant



Il est possible que vos armoires aient une moulure décorative qui gêne l'installation du four à micro-ondes. Enlevez la moulure décorative pour installer correctement le four à micro-ondes et s'assurer qu'il est droit.

LE FOUR À MICRO-ONDES DOIT ÊTRE DROIT.

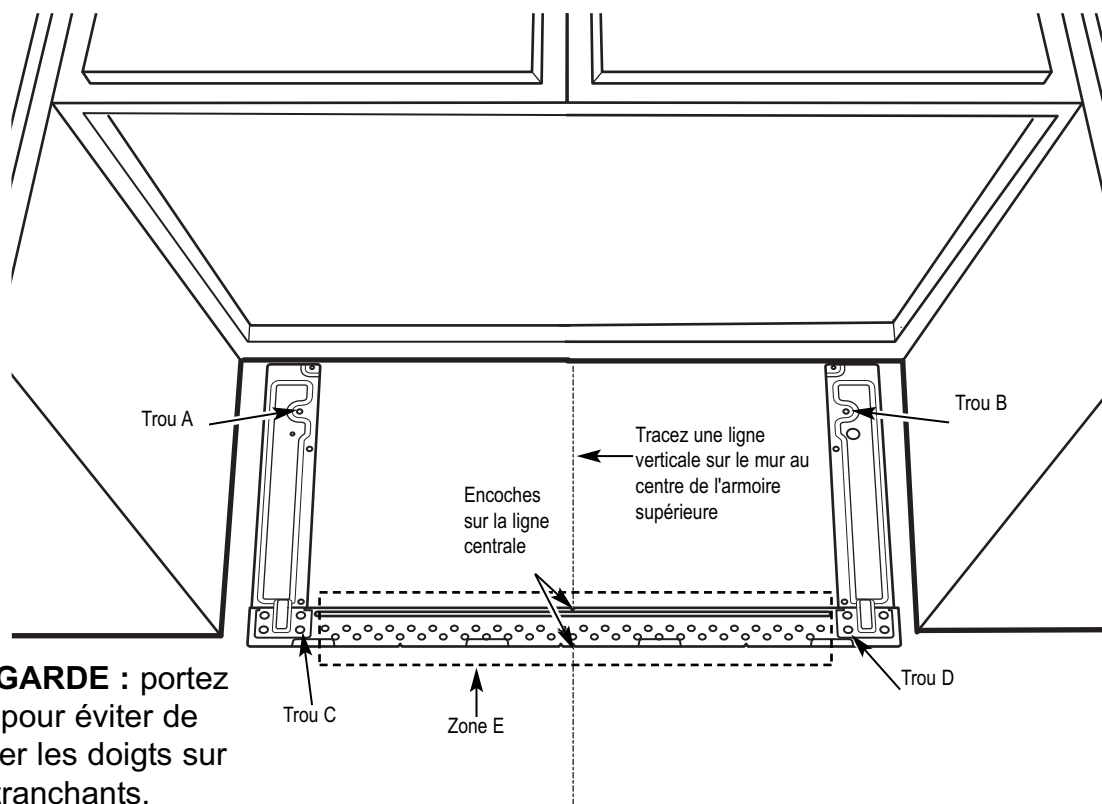
Utilisez un niveau pour vous assurer que le fond de l'armoire est bien droit. Si les armoires ont un rebord à l'avant seulement, sans cadre à l'arrière ou sur les côtés, installez la plaque de montage plus bas, à la même hauteur que le rebord à l'avant de l'armoire. Le four sera ainsi bien droit.

1. Mesurez la hauteur intérieure du rebord à l'avant.
2. Tracez une ligne horizontale sur le mur arrière à une distance sous le fond de l'armoire égale à la hauteur intérieure du rebord à l'avant.
3. Pour ce type d'installation avec rebord à l'avant, alignez les languettes de montage sur cette ligne horizontale, sans toucher le fond de l'armoire tel que décrit à l'étape D.

NOTICE D'INSTALLATION

COMMENT POSITIONNER L'APPLIQUE

D



MISE EN GARDE : portez des gants pour éviter de vous couper les doigts sur les bords tranchants.

1. Tracez une ligne verticale sur le mur au centre de l'espace de 30 po de largeur.
2. Utilisez la plaque de montage comme gabarit pour le mur arrière. Placez la plaque de montage sur le mur, en vous assurant que les languettes touchent le fond de l'armoire ou la ligne horizontale tracée à l'étape C dans le cas des armoires avec rebord à l'avant. Alignez l'encoche et la ligne centrale qui se trouvent sur le bas de la plaque de montage avec la ligne centrale qui se trouve sur le mur.
3. En tenant la plaque de montage d'une main, tracez des cercles sur le mur vis-à-vis les trous A, B, C et D (voir l'illustration ci-dessus/la plaque réelle marquée avec des flèches). Quatre trous doivent être utilisés pour le montage.

REMARQUE : Les trous C et D sont dans la zone E. Si ni C ni D n'est sur un poteau, trouvez un poteau quelque part dans la zone E et tracez un cinquième cercle aligné sur le poteau. Il est important qu'au moins une vis à bois soit fixée solidement dans un poteau pour soutenir le poids du four à micro-ondes. Mettez la plaque de montage de côté.

4. Percez des trous dans les cercles. S'il y a un poteau, percez un trou de 3/16 po pour les vis à bois. Pour les cercles qui ne sont pas alignés avec un poteau, percez un trou de 5/8 po pour les boulons à ailettes.

REMARQUE : NE FIXEZ PAS LA PLAQUE MAINTENANT.

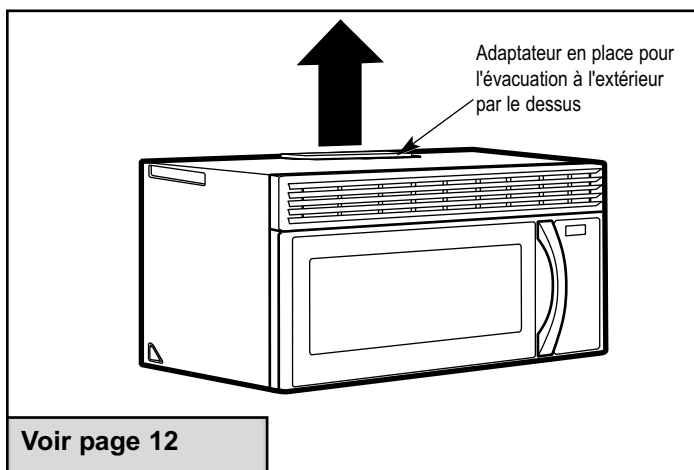
NOTICE D'INSTALLATION

2 TYPES D'INSTALLATION (Choisissez A, B ou C)

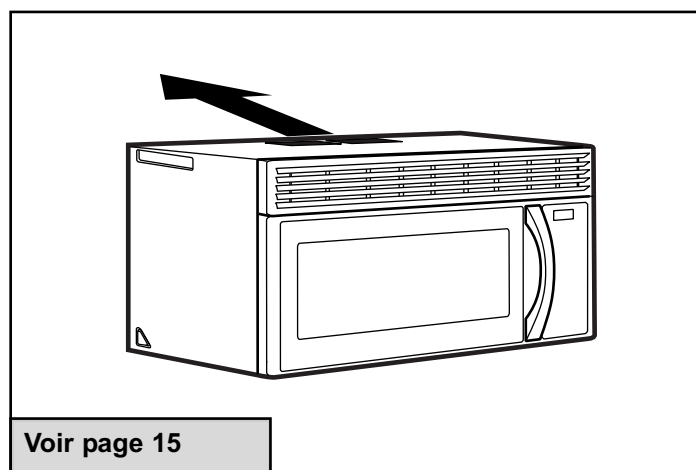
Ce four à micro-ondes est conçu pour être adapté à l'un des trois types d'évacuation suivants :

- A. Évacuation à l'extérieur par le dessus (conduit vertical)
- B. Évacuation à l'extérieur par l'arrière (conduit horizontal)
- C. Recyclage d'air (évacuation sans conduit)

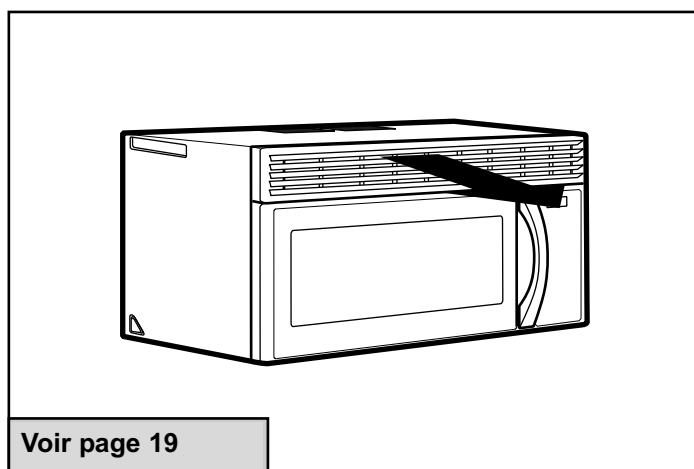
A ÉVACUATION À L'EXTÉRIEUR PAR LE DESSUS (CONDUIT VERTICAL)



B ÉVACUATION À L'EXTÉRIEUR PAR L'ARRIÈRE (CONDUIT HORIZONTAL)



C RECYCLAGE D'AIR (ÉVACUATION SANS CONDUIT)



REMARQUE : Ce four à micro-ondes est expédié déjà assemblé pour l'évacuation à l'extérieur par le dessus (sauf les modèles sans conduit). Choisissez le type d'évacuation convenant à votre installation et passez à cette section.

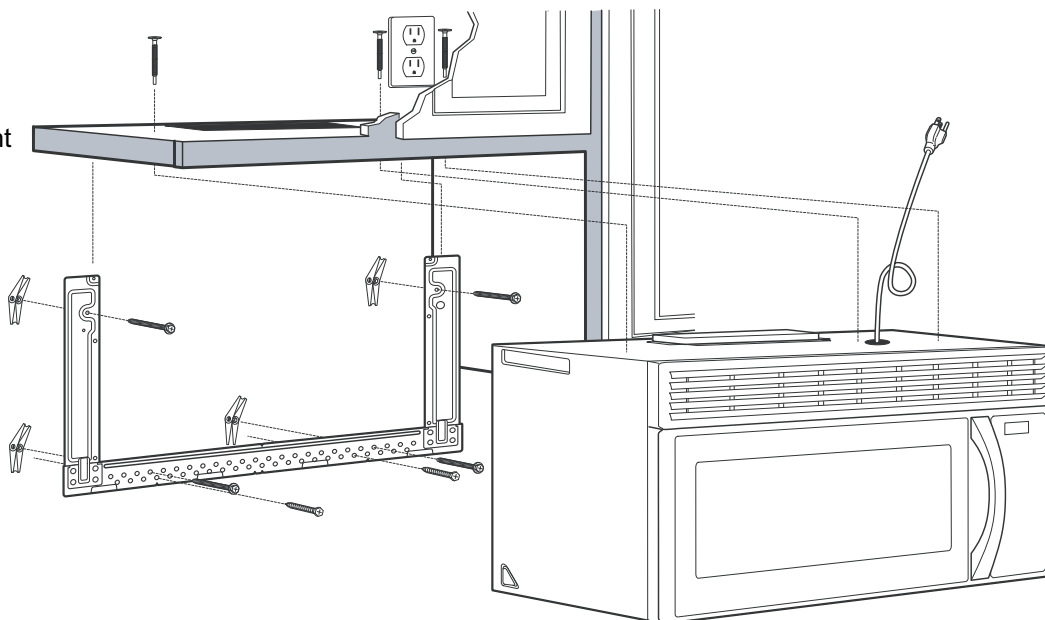
Un ensemble d'accessoires de filtres à charbon est requis pour l'installation sans conduit. (Reportez-vous à votre guide de l'utilisateur pour obtenir le numéro de l'ensemble.)

NOTICE D'INSTALLATION

A ÉVACUATION À L'EXTÉRIEUR PAR LE DESSUS (conduit vertical)

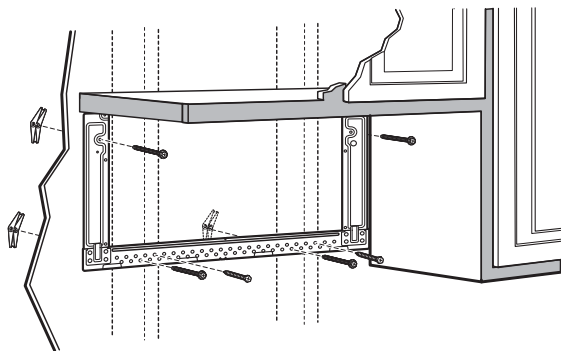
VUE D'ENSEMBLE DE L'INSTALLATION

- A1. Fixez la plaque de montage au mur
- A2. Préparez l'armoire supérieure
- A3. Vérifiez le fonctionnement du registre
- A4. Fixez le four à micro-ondes
- A5. Ajustez l'adaptateur d'évacuation
- A6. Raccordez les conduits



FIXATION DE LA PLAQUE DE MONTAGE AU MUR

A1



Fixez la plaque au mur au moyen des boulons à ailettes. Au moins une vis à bois doit être utilisée pour fixer la plaque à un poteau mural.

1. Enlevez les ailettes des boulons.
2. Insérez les boulons dans la plaque de montage en passant par les trous conçus pour pénétrer dans la cloison sèche et fixez à nouveau les ailettes à $\frac{3}{4}$ po sur chaque boulon.

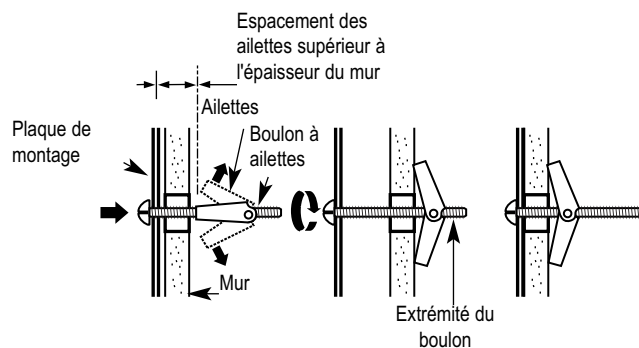
POUR UTILISER DES BOULONS À AILETTES

3. Placez la plaque de montage sur le mur et insérez les ailettes des boulons dans les trous percés dans le mur afin de fixer la plaque.

REMARQUE : Avant de serrer les boulons à ailettes et la vis à bois, assurez-vous que les languettes qui se trouvent sur la plaque de montage touchent le fond de l'armoire lorsque vous poussez la plaque contre le mur et que la plaque est bien centrée sous l'armoire.

MISE EN GARDE : Assurez-vous de ne pas vous prendre les doigts entre l'arrière de la plaque de montage et le mur.

4. Serrez tous les boulons. Tirez sur la plaque de façon à l'éloigner du mur afin de mieux serrer les boulons.

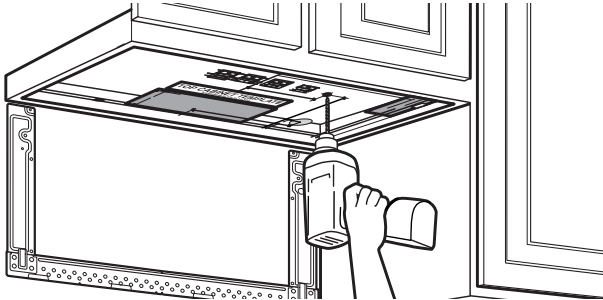


NOTICE D'INSTALLATION

UTILISATION DU GABARIT DE L'ARMOIRE SUPÉRIEURE POUR PRÉPARER L'ARMOIRE SUPÉRIEURE

A2

Vous devez percer des trous pour les vis de soutien supérieures, un trou assez grand pour y faire passer le cordon d'alimentation, et une découpe suffisamment grande pour l'adaptateur d'évacuation.

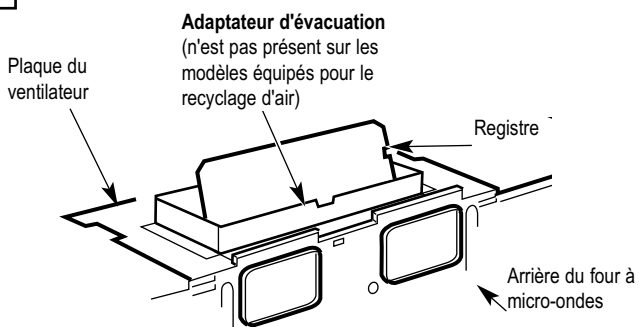


- Lisez les instructions qui se trouvent sur le **GABARIT POUR L'ARMOIRE SUPÉRIEURE**
- Collez-le sous l'armoire supérieure au moyen de ruban adhésif.
- Percez les trous en suivant les instructions qui figurent sur le **GABARIT POUR L'ARMOIRE SUPÉRIEURE**.

MISE EN GARDE : Portez des lunettes de sécurité lorsque vous percez des trous dans le fond de l'armoire.

VÉRIFICATION DU BON FONCTIONNEMENT DU REGISTRE

A3



- Placez le four à micro-ondes en position verticale, avec le dessus de l'appareil orienté vers le haut.
- Le four à micro-ondes peut être expédié déjà assemblé pour l'évacuation par le dessus (adaptateur installé) ou pour le recyclage d'air (pas d'adaptateur).
- Assurez-vous que le ruban adhésif tenant le registre en place est enlevé et que le registre pivote facilement avant de fixer le four à micro-ondes.
- Vous devrez faire les ajustements nécessaires pour assurer un bon alignement avec le conduit d'évacuation de votre maison après l'installation du four à micro-ondes.

FIXATION DU FOUR À MICRO-ONDES

A4



POUR FACILITER L'INSTALLATION ET POUR VOTRE SÉCURITÉ, IL EST RECOMMANDÉ QUE CE PRODUIT SOIT INSTALLÉ PAR DEUX PERSONNES.

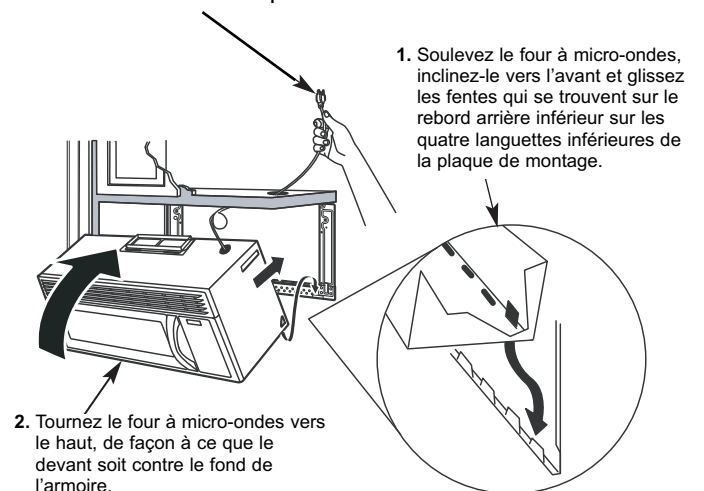
IMPORTANT : Ne tenez pas la poignée et ne l'utilisez pas pendant l'installation.

REMARQUE : Si votre armoire est métallique, installez le passe-fil autour du trou prévu pour le cordon d'alimentation pour éviter que le cordon soit coupé.

REMARQUE : Nous vous recommandons d'utiliser des entretoises si le rebord à l'avant de l'armoire dépasse le fond de celle-ci

IMPORTANT : Si les entretoises ne sont pas utilisées, le boîtier pourrait être endommagé si les vis sont trop serrées.

REMARQUE : Lors du montage du four à micro-ondes, faites passer le cordon d'alimentation dans le trou qui se trouve dans le fond de l'armoire supérieure. Gardez le cordon bien tendu jusqu'à l'étape 13. Ne pincez pas le cordon et ne soulevez pas le four en tirant sur le cordon.



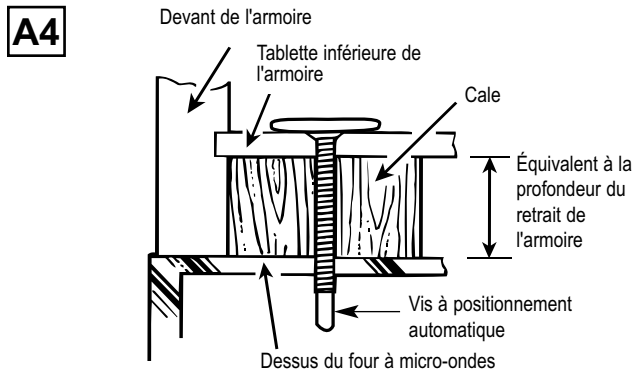
1. Soulevez le four à micro-ondes, inclinez-le vers l'avant et glissez les fentes qui se trouvent sur le rebord arrière inférieur sur les quatre languettes inférieures de la plaque de montage.

2. Tournez le four à micro-ondes vers le haut, de façon à ce que le devant soit contre le fond de l'armoire.

3. Insérez une vis à positionnement automatique dans le trou central de l'armoire supérieure. Fixez temporairement le four en donnant au moins deux tours complets à la vis après que le filetage ait mordu. (Elle sera serrée complètement plus tard.) Assurez-vous que le cordon d'alimentation reste tendu. Assurez-vous de ne pas pincer le cordon, surtout lors d'un montage touchant le fond de l'armoire.

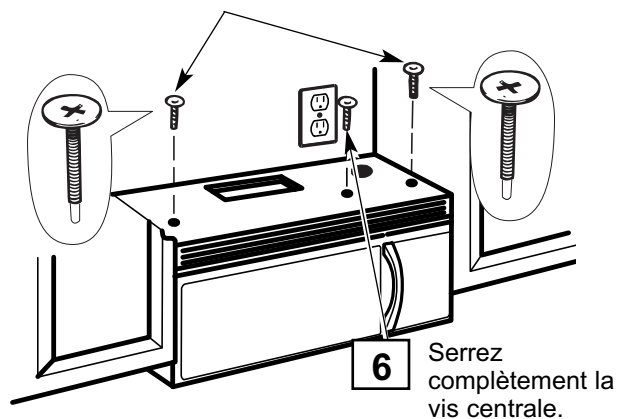
NOTICE D'INSTALLATION

FIXATION DU FOUR À MICRO-ONDES (suite)

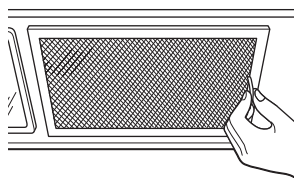


4 Fixez le four à micro-ondes à l'armoire supérieure.

5 Insérez 2 vis à positionnement automatique dans les trous extérieurs de l'armoire supérieure. Donnez deux tours complets à chaque vis.



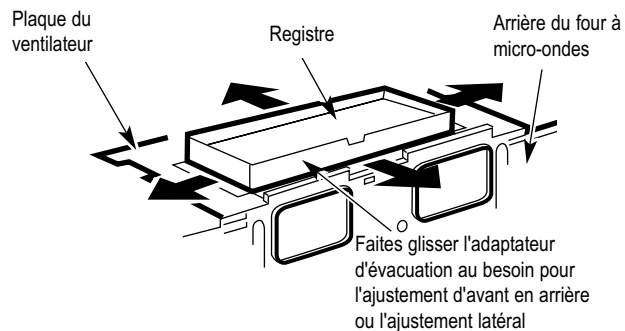
7 Serrez les deux vis extérieures sur le dessus du four à micro-ondes. (Lorsque vous serrez les vis, tenez le four à micro-ondes en place contre le mur et l'armoire supérieure.)



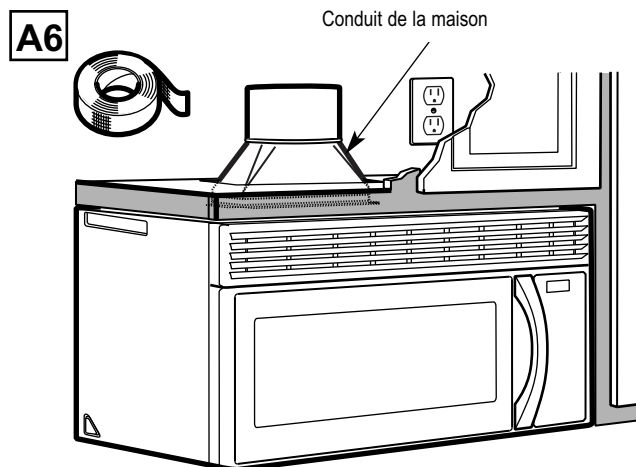
8 Installez les filtres à graisse. Reportez-vous au guide de l'utilisateur qui accompagne le four à micro-ondes.

AJUSTEMENT DE L'ADAPTATEUR D'ÉVACUATION

A5 Ouvrez l'armoire supérieure et ajustez l'adaptateur d'évacuation afin de le raccorder au conduit de la maison.



RACCORDEMENT DU CONDUIT



1 Étirez le conduit de la maison afin de le raccorder à l'adaptateur d'évacuation.

2 Scellez les joints du conduit d'évacuation au moyen de ruban à conduits.

NOTICE D'INSTALLATION

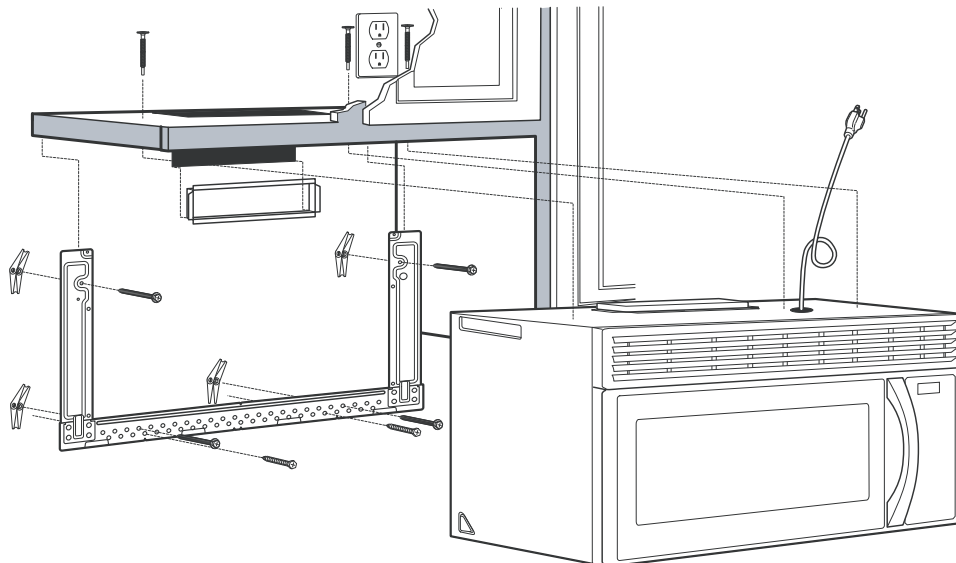
B ÉVACUATION À L'EXTÉRIEUR PAR L'ARRIÈRE (conduit horizontal)

VUE D'ENSEMBLE DE L'INSTALLATION

- B1. Préparez le mur arrière
- B2. Enlevez l'adaptateur d'évacuation
- B3. Fixez la plaque de montage au mur
- B4. Préparez l'armoire supérieure
- B5. Ajustez le ventilateur
- B6. Fixez le four à micro-ondes

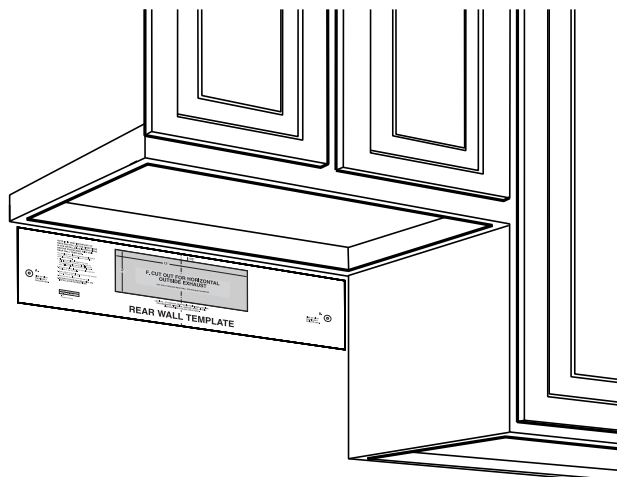
REMARQUES IMPORTANTES :

- Assurez-vous que les vis du moteur du ventilateur et de la plaque du ventilateur sont bien serrées lors de leur réinstallation. Cela contribuera à empêcher les vibrations excessives.
- Assurez-vous que le câblage du moteur a été effectué et fixé correctement et que les fils ne sont pas pincés.



PRÉPARATION DU MUR ARRIÈRE POUR L'ÉVACUATION À L'EXTÉRIEUR PAR L'ARRIÈRE

- B1** Vous devez pratiquer une ouverture dans le mur arrière pour l'évacuation à l'extérieur.



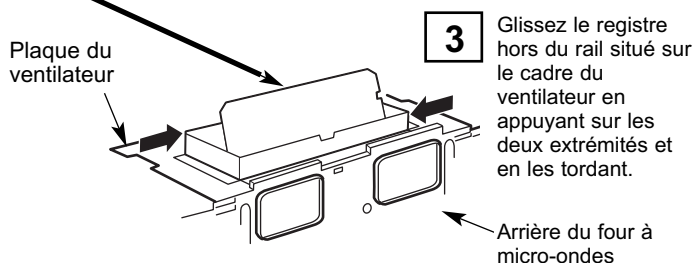
- Lisez les instructions qui se trouvent sur le GABARIT POUR LE MUR ARRIÈRE.
- Collez-le sur le mur arrière au moyen de ruban adhésif, en l'alignant avec les trous déjà percés pour les trous A et B dans l'applique.
- Découpez l'ouverture, en suivant les instructions qui se trouvent sur le GABARIT POUR LE MUR ARRIÈRE.

ENLÈVEMENT DE L'ADAPTATEUR D'ÉVACUATION

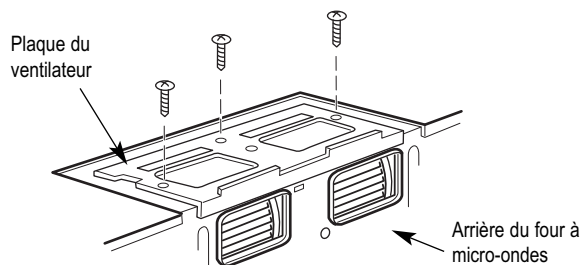
- B2** Ce four à micro-ondes est expédié déjà assemblé pour une évacuation par le dessus. Vous aurez besoin de l'adaptateur d'évacuation pour une installation dans l'ouverture du mur arrière. Pour enlever l'adaptateur d'évacuation du four à micro-ondes :

- 1** Enlevez le ruban adhésif retenant le registre.

- 2** Soulevez le rabat du registre.



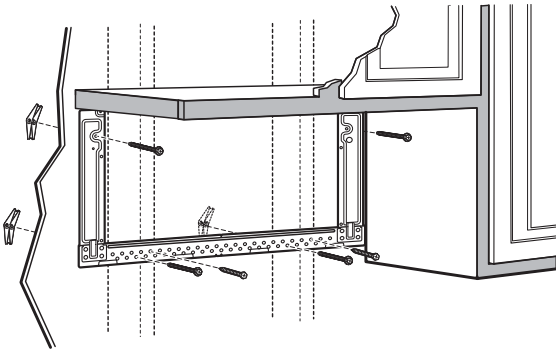
- 4** Enlevez et mettez de côté la vis qui fixe la plaque du ventilateur au four à micro-ondes. Soulevez la plaque du ventilateur pour l'enlever.



NOTICE D'INSTALLATION

PRÉPARATION DU MUR ARRIÈRE POUR L'ÉVACUATION À L'EXTÉRIEUR PAR L'ARRIÈRE

B3

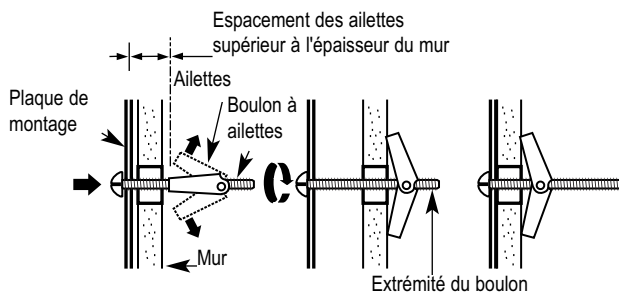


Fixez la plaque au mur au moyen des boulons à ailettes. Au moins une vis à bois doit être utilisée pour fixer la plaque à un poteau mural.

1 Enlevez les ailettes des boulons.

2 Insérez les boulons dans la plaque de montage en passant par les trous conçus pour pénétrer la cloison sèche et rattachés les ailettes à 3/4 po sur chaque boulon.

POUR UTILISER DES BOULONS À AILETTES



3 Placez la plaque de montage sur le mur et insérez les ailettes des boulons dans les trous percés dans le mur afin de fixer la plaque.

REMARQUE : Avant de serrer les boulons à ailettes et la vis à bois, assurez-vous que les languettes qui se trouvent sur la plaque de montage touchent le fond de l'armoire lorsque vous poussez la plaque contre le mur et que la plaque est bien centrée sous l'armoire.

⚠ MISE EN GARDE

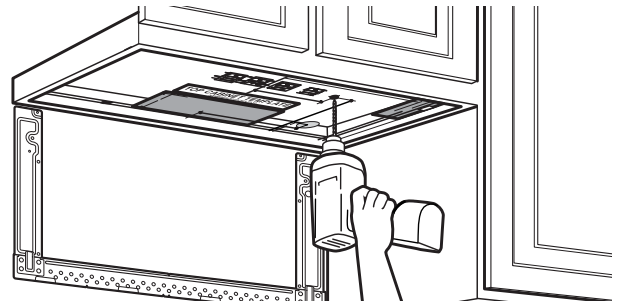
Assurez-vous de ne pas vous prendre les doigts entre l'arrière de la plaque de montage et le mur.

4 Serrez tous les boulons. Tirez sur la plaque de façon à l'éloigner du mur afin de mieux serrer les boulons.

UTILISATION DU GABARIT DE L'ARMOIRE SUPÉRIEURE POUR PRÉPARER L'ARMOIRE SUPÉRIEURE

B4

Vous devez percer des trous pour les vis de soutien supérieures et un autre trou assez grand pour faire passer le cordon d'alimentation.



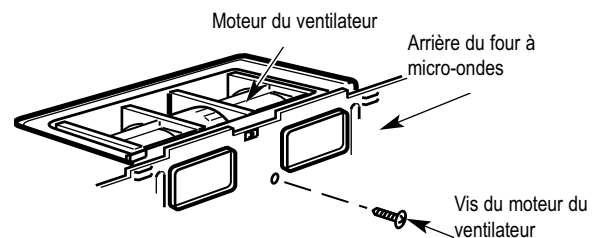
- Lisez les instructions qui se trouvent sur le GABARIT POUR L'ARMOIRE SUPÉRIEURE.
- Collez-le sous l'armoire supérieure au moyen de ruban adhésif.
- Percez les trous en suivant les instructions qui se trouvent sur le GABARIT POUR L'ARMOIRE SUPÉRIEURE.

⚠ MISE EN GARDE

Portez des lunettes de sécurité lorsque vous percez des trous dans le fond de l'armoire.

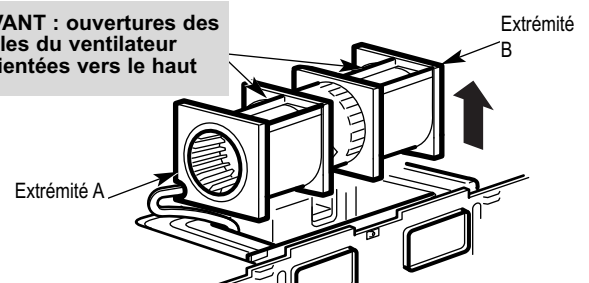
ADAPTATION DU VENTILATEUR DU FOUR À MICRO-ONDES POUR L'ÉVACUATION À L'EXTÉRIEUR PAR L'ARRIÈRE

B5 1 Enlevez et mettez de côté la vis qui fixe le moteur du ventilateur au four à micro-ondes.



2 Tirez sur le ventilateur avec précaution pour le faire sortir. Les fils seront assez longs pour vous permettre d'ajuster le ventilateur.

AVANT : ouvertures des pales du ventilateur orientées vers le haut



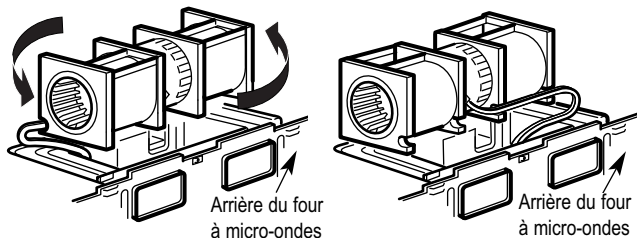
NOTICE D'INSTALLATION

ADAPTATION DU VENTILATEUR DU FOUR À MICRO-ONDES POUR L'ÉVACUATION À L'EXTÉRIEUR PAR L'ARRIÈRE (suite)

- 3** Tournez le ventilateur sur 180° dans le sens contraire des aiguilles d'une montre.

Avant la rotation

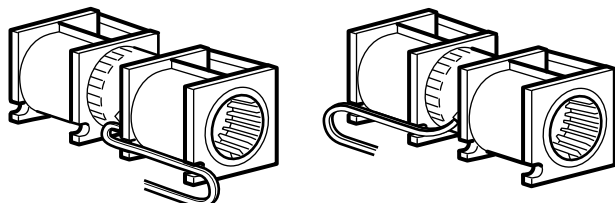
Après la rotation



- 4** Sortez doucement les fils des rainures. Faites passer les fils dans les rainures qui se trouvent de l'autre côté du ventilateur.

Avant le réacheminement

Après le réacheminement



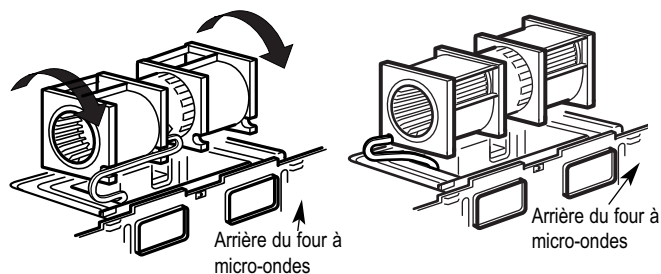
Fils acheminés par le côté droit

Fils acheminés par le côté gauche

- 5** Faites pivoter le ventilateur sur 90° afin que les ouvertures pour les pales du ventilateur soient orientées vers l'arrière du four à micro-ondes.

Avant la rotation

Après la rotation

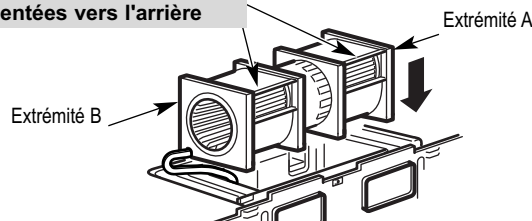


Arrière du four à micro-ondes

Arrière du four à micro-ondes

- 6** Remettez le ventilateur dans l'ouverture.

APRÈS : ouvertures des pales du ventilateur orientées vers l'arrière

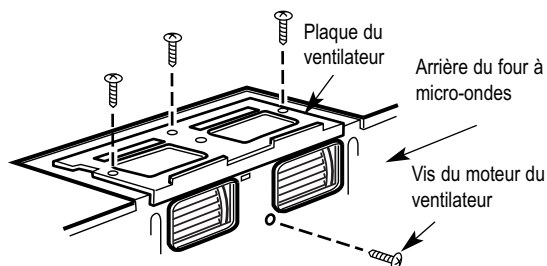


⚠ MISE EN GARDE

Ne tirez pas sur le câblage du ventilateur et ne l'étirez pas. Assurez-vous que les fils ne sont pas pincés et qu'ils sont bien fixés en place.

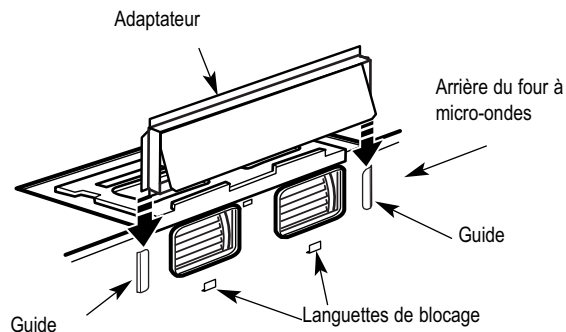
REMARQUE : Les ouvertures d'évacuation du ventilateur doivent correspondre aux ouvertures d'évacuation qui se trouvent sur l'arrière du four à micro-ondes.

- 7** Fixez le ventilateur au four à micro-ondes au moyen de la vis d'origine.



- 8** Remettez la plaque du ventilateur dans la même position qu'auparavant au moyen de la vis. Assurez-vous que la vis est bien serrée.

- 9** Fixez l'adaptateur d'évacuation sur l'arrière du four en le glissant dans les guides qui se trouvent en haut au centre de l'arrière du four.

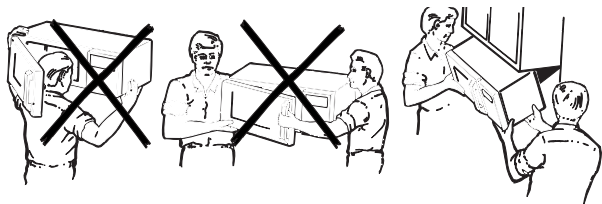


Appuyez bien jusqu'à ce qu'il soit inséré dans les fentes de blocage inférieures. Assurez-vous que la charnière du registre est installée sur le dessus et que le registre pivote librement.

NOTICE D'INSTALLATION

PRÉPARATION DU MUR ARRIÈRE POUR L'ÉVACUATION À L'EXTÉRIEUR PAR L'ARRIÈRE

B6



POUR FACILITER L'INSTALLATION ET POUR VOTRE SÉCURITÉ, IL EST RECOMMANDÉ QUE CE PRODUIT SOIT INSTALLÉ PAR DEUX PERSONNES.

IMPORTANT : Ne tenez pas la poignée et ne l'utilisez pas pendant l'installation.

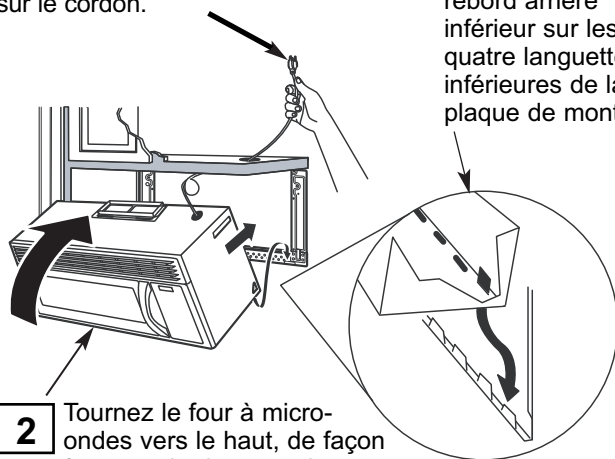
REMARQUE : Si votre armoire est métallique, installez le passe-fil autour du trou prévu pour le cordon d'alimentation pour éviter que le cordon soit coupé.

REMARQUE : Nous vous recommandons d'utiliser des entretoises si le rebord à l'avant de l'armoire dépasse le fond de celle-ci.

IMPORTANT : Si les entretoises ne sont pas utilisées, le boîtier pourrait être endommagé si les vis sont trop serrées.

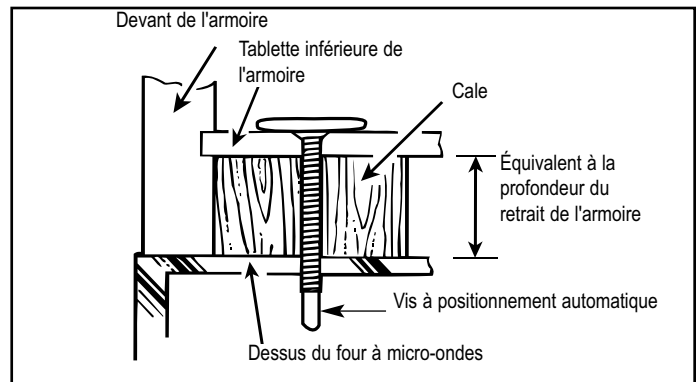
REMARQUE : Lorsque vous fixez le four à micro-ondes, faites passer le cordon d'alimentation dans le trou qui se trouve dans le fond de l'armoire. Gardez le cordon bien tendu jusqu'à l'étape 13. Ne pincez pas le cordon et ne soulevez pas le four en tirant sur le cordon.

1 Soulevez le four à micro-ondes, inclinez-le vers l'avant et glissez les fentes qui se trouvent sur le rebord arrière inférieur sur les quatre languettes inférieures de la plaque de montage.



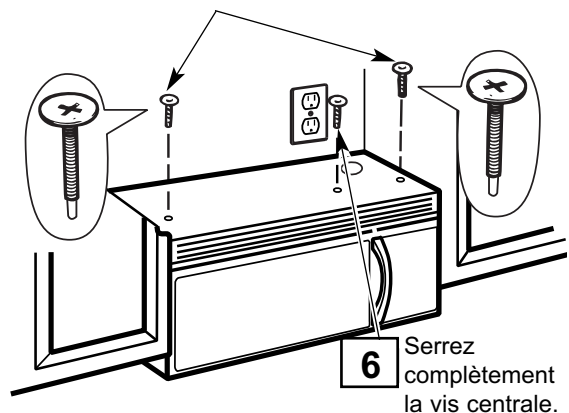
2 Tournez le four à micro-ondes vers le haut, de façon à ce que le devant soit contre le fond de l'armoire.

3 Insérez une vis à positionnement automatique dans le trou central de l'armoire supérieure. Fixez temporairement le four en donnant au moins deux tours complets à la vis après que le filetage ait mordu. (Elle sera serrée complètement plus tard.) Assurez-vous que le cordon d'alimentation reste tendu. Assurez-vous de ne pas pincer le cordon, surtout lors d'un montage touchant le fond de l'armoire.

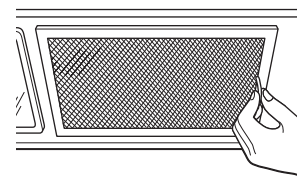


4 Fixez le four à micro-ondes à l'armoire supérieure.

5 Insérez 2 vis à positionnement automatique dans les trous extérieurs de l'armoire supérieure. Donnez deux tours complets à chaque vis.



7 Serrez les deux vis extérieures sur le dessus du four à micro-ondes. (Lorsque vous serrez les vis, tenez le four à micro-ondes en place contre le mur et l'armoire supérieure.)



8 Installez les filtres à graisse. Reportez-vous au guide de l'utilisateur qui accompagne le four à micro-ondes.

NOTICE D'INSTALLATION

C RECYCLAGE D'AIR (évacuation sans conduit)

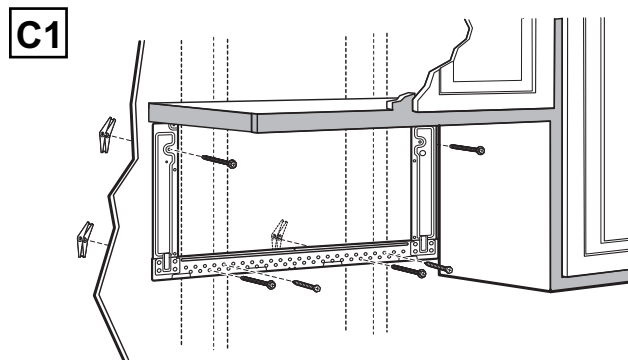
VUE D'ENSEMBLE DE L'INSTALLATION

- C1. Fixez la plaque de montage au mur
- C2. Préparez l'armoire supérieure
- C3. Vérifiez l'assemblage du four à micro-ondes
- C4. Ajustez le ventilateur
- C5. Fixez le four à micro-ondes
- C6. Installez le filtre au charbon

REMARQUES IMPORTANTES :

- Assurez-vous que les vis du moteur du ventilateur et de la plaque du ventilateur sont bien serrées lors de leur réinstallation. Cela contribuera à empêcher les vibrations excessives.
- Assurez-vous que le câblage du moteur a été effectué et fixé correctement et que les fils ne sont pas pincés.

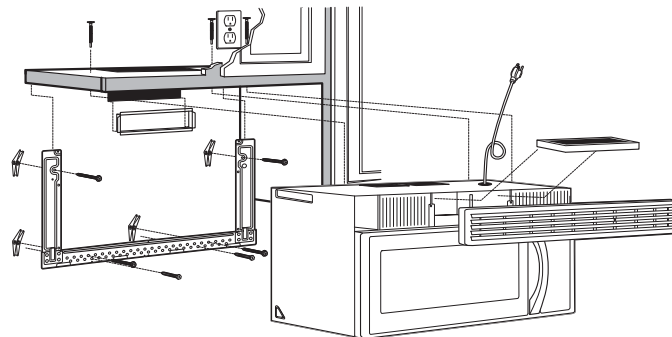
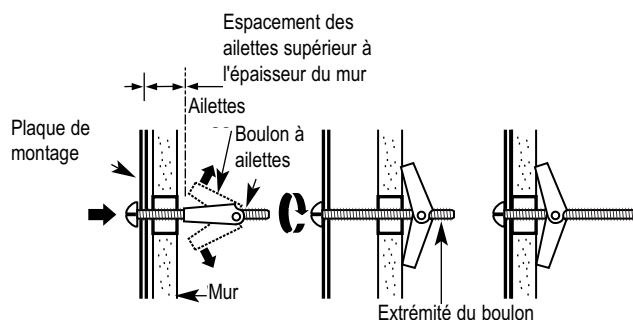
FIXATION DE LA PLAQUE DE MONTAGE AU MUR



Fixez la plaque au mur au moyen des boulons à ailettes. Au moins une vis à bois doit être utilisée pour fixer la plaque à un poteau mural.

- 1 Enlevez les ailettes des boulons.
- 2 Insérez les boulons dans la plaque de montage en passant par les trous conçus pour pénétrer dans la cloison sèche et fixez à nouveau les ailettes à $\frac{3}{4}$ po sur chaque boulon.

POUR UTILISER DES BOULONS À AILETTES



- 3 Placez la plaque de montage sur le mur et insérez les ailettes des boulons dans les trous percés dans le mur afin de fixer la plaque.

REMARQUE : Avant de serrer les boulons à ailettes et la vis à bois, assurez-vous que les languettes qui se trouvent sur la plaque de montage touchent le fond de l'armoire lorsque vous poussez la plaque contre le mur et que la plaque est bien centrée sous l'armoire.

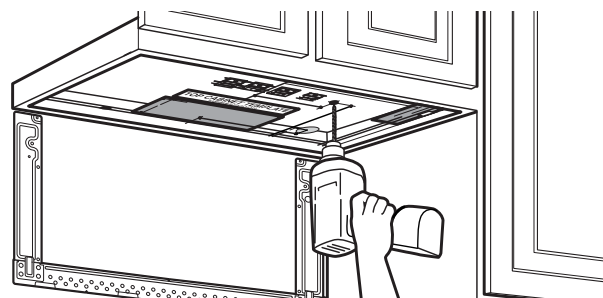
⚠ MISE EN GARDE

Assurez-vous de ne pas vous prendre les doigts entre l'arrière de la plaque de montage et le mur. Serrez tous les boulons. Tirez sur la plaque de façon à l'éloigner du mur afin de mieux serrer les boulons.

- 4 Serrez tous les boulons. Tirez sur la plaque de façon à l'éloigner du mur afin de mieux serrer les boulons.

UTILISATION DU GABARIT POUR L'ARMOIRE SUPÉRIEURE POUR LA PRÉPARATION DE L'ARMOIRE SUPÉRIEURE

Vous devez percer des trous pour les vis de soutien supérieures et un autre trou assez grand pour faire passer le cordon d'alimentation.



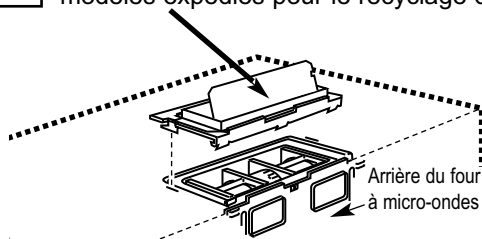
- Lisez les instructions qui se trouvent sur le GABARIT POUR L'ARMOIRE SUPÉRIEURE.
- Collez-le sous l'armoire supérieure au moyen de ruban adhésif.
- Percez les trous en suivant les instructions qui se trouvent sur le GABARIT POUR L'ARMOIRE SUPÉRIEURE.

MISE EN GARDE : Portez des lunettes de sécurité lorsque vous percez des trous dans le fond de l'armoire.

NOTICE D'INSTALLATION

VÉRIFICATION DE L'ASSEMBLAGE DU FOUR À MICRO-ONDES

- C3** Adaptateur d'évacuation (n'est pas présent sur les modèles expédiés pour le recyclage d'air)



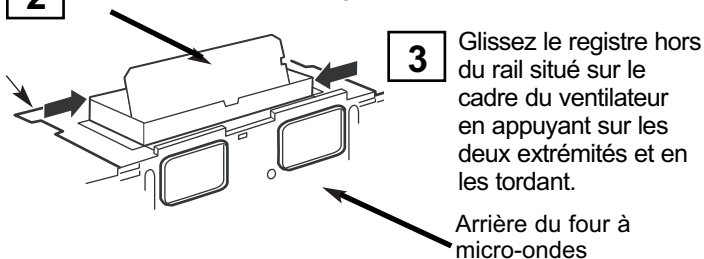
- Placez le four à micro-ondes en position verticale, avec le dessus de l'appareil orienté vers le haut.
- Le four à micro-ondes peut être expédié déjà assemblé pour l'évacuation par le dessus (adaptateur installé) ou pour le recyclage d'air (pas d'adaptateur).
- Si le four à micro-ondes a été expédié pour le recyclage d'air, passez à l'étape C5. S'il est expédié pour l'évacuation par le dessus, passez à l'étape C4.

ADAPTATION DU VENTILATEUR DU FOUR À MICRO-ONDES POUR LE RECYCLAGE D'AIR

C4

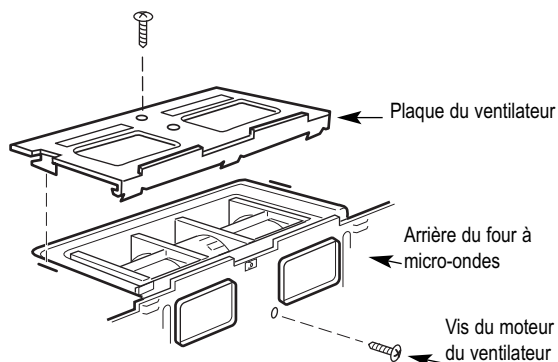
- 1** Enlevez le ruban adhésif retenant le registre.

- 2** Soulevez le rabat du registre



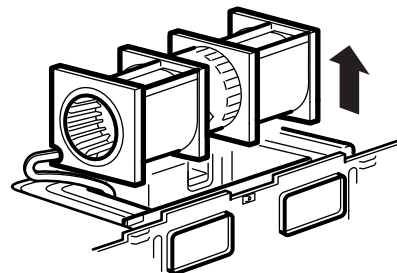
- 3** Glissez le registre hors du rail situé sur le cadre du ventilateur en appuyant sur les deux extrémités et en les tordant.

- 4** Enlevez la vis qui fixe la plaque du ventilateur au four à micro-ondes. Enlevez et mettez de côté la vis qui fixe le moteur du ventilateur au four à micro-ondes.



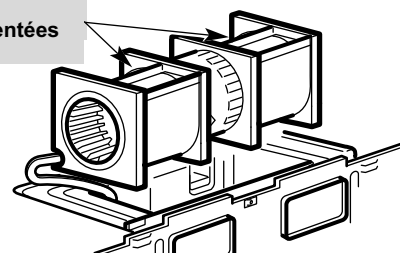
REMARQUE : La plaque du ventilateur sera réinstallée plus tard. Le registre n'est pas requis pour les modèles à recyclage d'air. Gardez toutes les pièces inutilisées pour une possible utilisation future.

- 5** Tirez sur le ventilateur avec précaution pour le faire sortir. Les fils seront assez longs pour vous permettre d'ajuster le ventilateur.

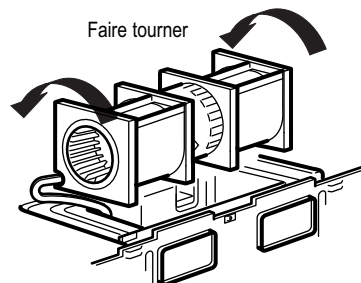


- 6** Faites pivoter le ventilateur sur 90° afin que les ouvertures pour les pales du ventilateur soient orientées vers le devant du four à micro-ondes.

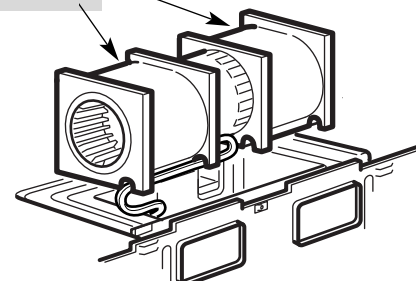
AVANT : ouvertures des pales du ventilateur orientées vers le haut



Faire tourner



APRÈS : ouvertures des pales du ventilateur orientées vers l'avant



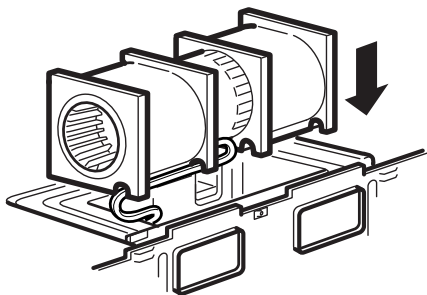
REMARQUE : Assurez-vous que les fils restent dans les rainures du cadre du moteur.

NOTICE D'INSTALLATION

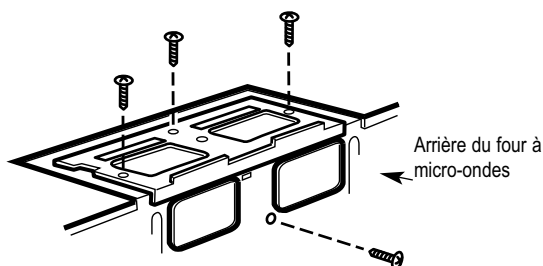
ADAPTATION DU VENTILATEUR DU FOUR À MICRO-ONDES POUR LE RECYCLAGE D'AIR

C4 (suite)

- 7** Remettez le ventilateur dans l'ouverture.
MISE EN GARDE : Ne tirez pas sur le câblage du ventilateur et ne l'étirez pas. Assurez-vous que les fils ne sont pas pincés et qu'ils sont bien fixés en place.

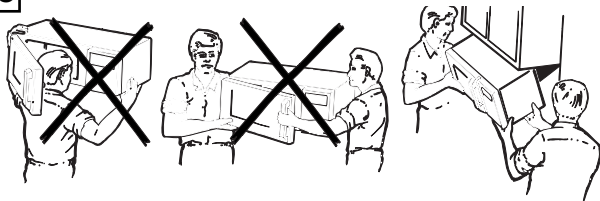


- 8** Fixez le ventilateur au four à micro-ondes au moyen de la vis enlevée à l'étape 4. Assurez-vous que la vis est bien serrée.
- 9** Remettez en place la plaque du ventilateur au moyen de la vis enlevée lors de l'étape 1. Assurez-vous que la vis est bien serrée.



FIXATION DU FOUR À MICRO-ONDES

C5



POUR FACILITER L'INSTALLATION ET POUR VOTRE SÉCURITÉ, IL EST RECOMMANDÉ QUE CE PRODUIT SOIT INSTALLÉ PAR DEUX PERSONNES.

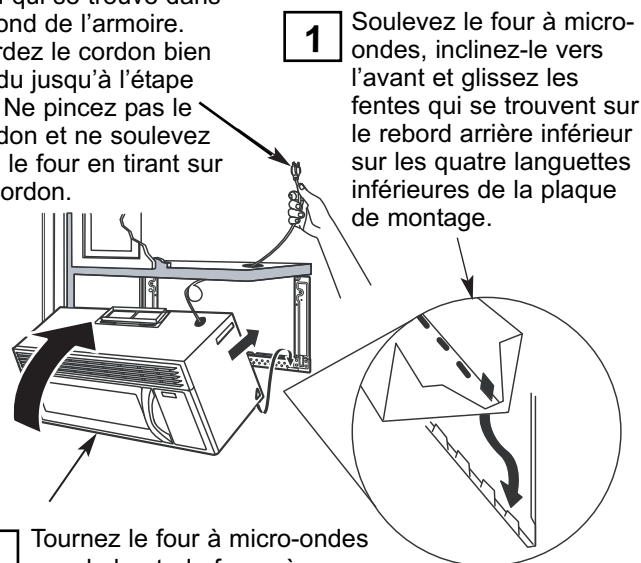
IMPORTANT : Ne tenez pas la poignée et ne l'utilisez pas pendant l'installation.

REMARQUE : Si votre armoire est métallique, installez le passe-fil autour du trou prévu pour le cordon d'alimentation pour éviter que le cordon soit coupé.

REMARQUE : Nous vous recommandons d'utiliser des entretoises si le rebord à l'avant de l'armoire dépasse le fond de celle-ci

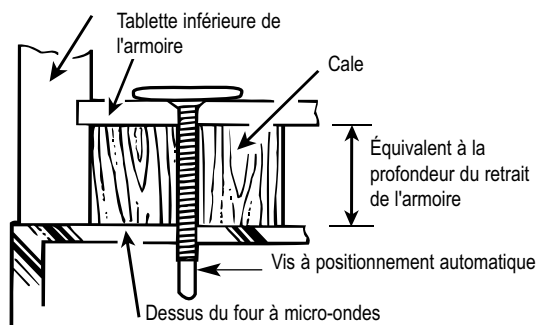
IMPORTANT : Si les entretoises ne sont pas utilisées, le boîtier pourrait être endommagé si les vis sont trop serrées.

REMARQUE : Lorsque vous fixez le four à micro-ondes, faites passer le cordon d'alimentation dans le trou qui se trouve dans le fond de l'armoire. Gardez le cordon bien tendu jusqu'à l'étape 13. Ne pincez pas le cordon et ne soulevez pas le four en tirant sur le cordon.



- 1** Soulevez le four à micro-ondes, inclinez-le vers l'avant et glissez les fentes qui se trouvent sur le rebord arrière inférieur sur les quatre languettes inférieures de la plaque de montage.
- 2** Tournez le four à micro-ondes vers le haut, de façon à ce que le devant soit contre le fond de l'armoire.
- 3** Insérez une vis à positionnement automatique dans le trou central de l'armoire supérieure. Fixez temporairement le four en donnant au moins deux tours complets à la vis après que le filetage ait mordu. (Elle sera serrée complètement plus tard.) Assurez-vous que le cordon d'alimentation reste tendu. Assurez-vous de ne pas pincer le cordon, surtout lors d'un montage touchant le fond de l'armoire.

Devant de l'armoire



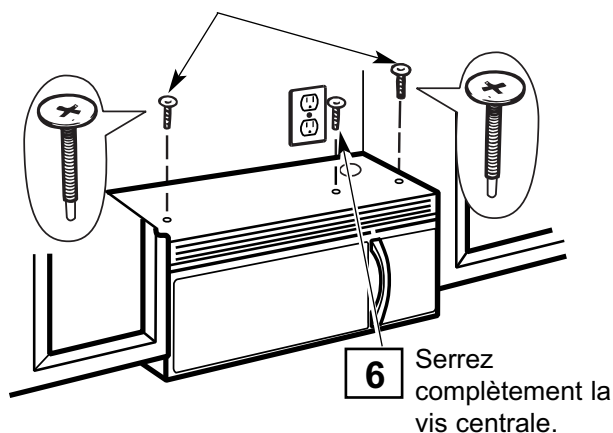
- 4** Fixez le four à micro-ondes à l'armoire supérieure.

NOTICE D'INSTALLATION

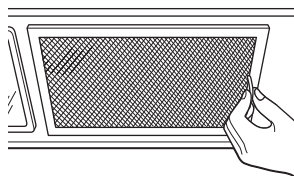
FIXATION DU FOUR À MICRO-ONDES

C5 (suite)

- 5** Insérez 2 vis à positionnement automatique dans les trous extérieurs de l'armoire supérieure. Donnez deux tours complets à chaque vis.



- 7** Serrez les deux vis extérieures sur le dessus du four à micro-ondes. (Lorsque vous serrez les vis, tenez le four à micro-ondes en place contre le mur et l'armoire supérieure.)

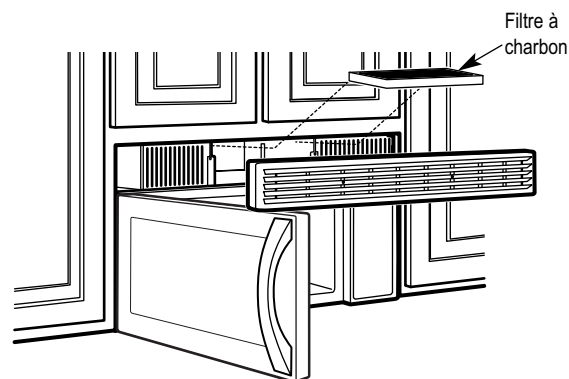


- 8** Installez les filtres à graisse. Reportez-vous au guide de l'utilisateur qui accompagne le four à micro-ondes.

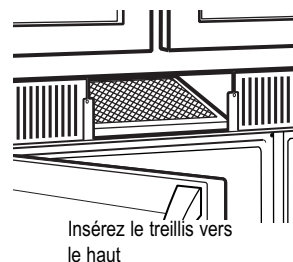
INSTALLATION DU FILTRE À CHARBON

C6

- 1** Enlevez les vis qui se trouvent sur le dessus du boîtier au moyen d'un tournevis cruciforme # 1.
- 2** Ouvrez la porte
- 3** Enlevez la grille
Tirez sur la grille pour l'enlever.



- 4** Installez le filtre à charbon. S'il est correctement installé, le treillis métallique du filtre devrait être visible de l'avant.
- 5** Remettez la grille et les vis.
- 6** Fermez la porte.



NOTICE D'INSTALLATION

AVANT D'UTILISER VOTRE FOUR À MICRO-ONDES

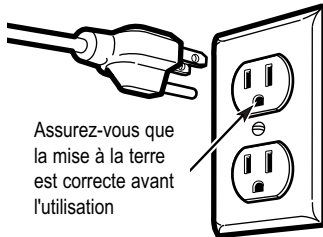
- 1** Assurez-vous que le four à micro-ondes a été installé conformément aux instructions.



- 7** CONSERVEZ LA NOTICE D'INSTALLATION POUR L'INSPECTEUR LOCAL.

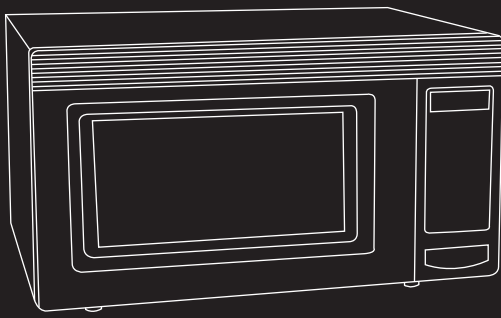


- 2** Enlevez le matériel d'emballage du four à micro-ondes.
- 4** Réinstallez le fusible ou réenclenchez le disjoncteur.
- 5** Branchez le cordon d'alimentation dans une prise électrique de 15 à 20 ampères.



- 6** Lisez le guide de l'utilisateur.





OVER THE RANGE MICROWAVE

Model • Modèle
DOM16A1WDB
DOM16A1SDB

Microwave Oven

The model number can be found on the serial plate located on the back panel of the unit.

All repair parts are available for purchase or special order when you visit your nearest service depot. To request service and/or the location of the service depot nearest you, call the TOLL FREE number.

When requesting service or ordering parts, always provide the following information:

- Product Type
- Model Number
- Part Description

Four à micro-ondes

Le numéro du modèle se trouve sur la plaque de série, sur le panneau arrière de l'appareil.

Toutes les pièces de réparation sont disponibles à l'achat ou sur commande spéciale lorsque vous visiterez votre atelier de service. Afin de demander une réparation ou de connaître l'atelier de réparation le plus près de chez vous, appelez au NUMÉRO SANS FRAIS.

Afin de demander une réparation ou de commander des pièces, soyez toujours prêt à fournir les renseignements suivants :

- Type de produit
- Numéro de modèle
- Description de la pièce



Tel: 1-800-26-**Danby**
(1-800-263-2629)