

Danby®

OVER THE RANGE MICROWAVE

FOUR à MICRO-ONDES
À HOTTE INTÉGRÉE

Owner's Use and Care Guide
Guide d'utilisation et d'entretien

Model • Modèle
DOM16A1WDB and DOM16A1SDB



CONTENTS

MICROWAVE OVEN

Owner's Use and Care Guide 1-12

- Welcome
- Important Safety Information
- Installation Guide
- Operation
- Care and Maintenance
- Troubleshooting
- Warranty

FOUR À MICRO-ONDES

Guide d'utilisation et d'entretien 13- 24

- Bienvenue
- Renseignements importants concernant la sécurité
- Guide d'installation
- Fonctionnement
- Soins et entretien
- Dépannage
- Garantie

CAUTION:

Read and follow all safety rules and operating instructions before first use of this product.

PRECAUTION:

Veillez lire attentivement les consignes de sécurité et les instructions d'utilisation avant l'utilisation initiale de ce produit.

WELCOME

Welcome to the Danby family. We're proud of our quality products and we believe in dependable service. You'll see it in this easy to use manual and you'll hear it in the friendly voices of our consumer service department.

Tel: 1-800-26- Danby
(1-800-263-2629)

Best of all, you'll experience these values each time you use your microwave. That's important, because your new microwave will be part of your family for a long time.

BEFORE USING YOUR MICROWAVE

Write down the model and serial numbers here. They are on a label located on the back of the oven.

Model Number _____

Serial Number _____

Date Purchased _____

Staple your receipt to this manual. You will need it to obtain service under warranty.

NEED HELP?

Before you call for service, there are a few things you can do to help us serve you better.

Read this manual: It contains instructions to help you use and maintain your microwave properly.

If you received a damaged oven:

Immediately contact the dealer (or builder) that sold you the oven.

Save time and money:

Check the section titled "Troubleshooting" before calling. This section helps you solve common problems that might occur. If you do need service, you can relax knowing help is only a phone call away.



Tel: 1-800-26- **Danby**
(1-800-263-2629)

IMPORTANT SAFETY INFORMATION

READ ALL SAFETY INFORMATION BEFORE USING

FEDERAL COMMUNICATIONS COMMISSION RADIO FREQUENCY INTERFERENCE STATEMENT (U.S.A. ONLY)

This equipment generates and uses ISM frequencies and if not installed and used properly, that is in strict accordance with the manufacturer's instructions, may cause interference to radio and television reception. It has been type-tested and found to comply with limits for ISM Equipment pursuant to Part 18 of FCC Rules, which are designed to provide reasonable protection against such interference in a residential installation.

However, there is no guarantee that interference will not occur in particular installations. If this equipment does cause interference to radio or television reception, which can be determined by turning the equipment off and on, the user is encouraged to try to correct the interference by one or more of the following:

- Reorient the receiving antenna of radio or television.
- Relocate the microwave oven with respect to the receiver.
- Move the microwave oven away from the receiver.
- Plug the microwave into a different outlet so that microwave and receiver are on different branch circuits.



The Manufacturer is not responsible for any radio or TV interference caused by **UNAUTHORIZED MODIFICATION** to this microwave oven. It is the responsibility of the user to correct such interference.

PRECAUTIONS TO AVOID POSSIBLE EXPOSURE TO EXCESSIVE MICROWAVE ENERGY

For your safety the information in this manual must be followed to minimize the risk of fire or explosion or to prevent property damage, personal injury or loss of life.

Do Not Attempt to operate this oven with the door open since open-door operation can result in harmful exposure to microwave energy. It is important not to defeat or tamper with the safety interlocks.

Do Not Place any object between the oven front face and the door or allow soil or cleaner residue to accumulate on sealing surfaces.

Do Not Operate the oven if it is damaged. It is particularly important that the oven door close properly and that there is no damage to the:

1. door (bent),
2. hinges and latches (broken or loosened),
3. door seals and sealing surfaces.

The Oven Should Not be adjusted or repaired by anyone except properly qualified service personnel.

SAVE THESE INSTRUCTIONS

IMPORTANT SAFETY INFORMATION

When using electrical appliances, basic safety precautions should be followed, including the following:

WARNING:

To reduce the risk of fire, burns, electric shock, injury to persons or exposure of excessive microwave energy when using your appliance:

SAFETY PRECAUTIONS

- Read and follow the specific “Precautions to Avoid Possible Exposure to Excessive Microwave Energy” on page 2.
 - This appliance must be grounded. Connect only to a properly grounded outlet. See “Grounding Instructions” section on page 5.
 - Do not operate this appliance if it has a damaged power cord or plug, if it is not working properly, or if it has been damaged or dropped.
 - Do not cover or block any openings on the appliance.
 - Use this appliance only for its intended use as described in this manual. Do not use corrosive chemicals or vapors in this appliance.
 - This microwave oven is specifically designed to heat, dry or cook food, and is not intended for laboratory or industrial use.
 - Some products such as whole eggs and sealed containers for example, closed glass jars- may explode and should not be heated in this oven.
 - Do not store this appliance outdoors.
 - Do not use this product near water-for example, in a wet basement, near a swimming pool or near a sink.
 - Keep power cord away from heated surfaces.
 - Do not immerse power cord or plug in water.
 - See door surface cleaning instructions in the Care and Maintenance section(s) of this manual.
 - This appliance should be serviced only by qualified service personnel. Contact nearest authorized service facility for examination, repair or adjustment.
 - As with any appliance, close supervision is necessary when used by children.
- To reduce the risk of fire in the oven cavity:**
- Do not overcook food.
 - Carefully attend appliance if paper, plastic or other combustible materials are placed inside the oven while cooking.
 - Remove wire twist-ties and metal handles from paper or plastic containers before placing them in the oven.
 - Do not use the oven for storage purposes. Do not leave paper products, cooking utensils or food in the oven when not in use.
 - Do not use the microwave to dry newspapers.
 - If materials inside oven should ignite, keep the oven door closed, turn the oven off and disconnect the power at the fuse or circuit breaker panel. If the door is opened, the fire may spread.

SAVE THESE INSTRUCTIONS

IMPORTANT SAFETY INFORMATION

SPECIAL NOTES ABOUT MICROWAVING

ARCING

If you see arcing, press the “STOP/Clear” button and correct the problem.

Arcing is the microwave term for sparks in the oven. Arcing is caused by:

- Metal or foil touching the side of the oven.
- Foil not molded to food (upturned edges act like antennae).
- Metal, such as twist-ties, poultry pins, or gold-rimmed dishes, in the microwave.
- Recycled paper towels containing small metal pieces being used in the microwave.

FOODS

- Only cook popcorn in your microwave oven using a special microwave popcorn accessory dish, unless you use popcorn labeled for use in microwave ovens.
- Some products- such as whole eggs (with shell), sealed containers, and closed jars - will explode and should not be heated in this microwave oven. Heating these products in the microwave oven could result in injury.
- Do not boil eggs in a microwave oven. Pressure will build up inside egg yolk and will cause it to burst, possibly resulting in injury.
- Operating the microwave with no food inside may cause damage to the oven and could start a fire. It increases the heat around the magnetron and can shorten the life of the oven.
- Foods with unbroken outer “skin” such as potatoes, hot dogs, sausages, tomatoes, apples, chicken livers and other giblets, and egg yolks should be pierced to allow steam to escape before cooking.

SAFETY FACT: SUPERHEATED WATER

Microwaved water and other liquids do not always bubble when they reach the boiling point; they can actually get superheated and not bubble at all. Superheated liquid can bubble up when it is moved or when something like a spoon or tea bag is put into it. To prevent this from happening and causing injury, do not heat any liquid for more than 2 minutes per cup. After heating, let the cup stand in the microwave for 30 seconds before moving it or putting anything into it.

- Avoid heating baby food in glass jars, even with the lid off. Make sure all infant food is thoroughly cooked. Stir food to distribute the heat evenly. Be careful to prevent scalding when warming formula. The container may feel cooler than the milk really is. **Always test the milk before feeding the baby.**

- Spontaneous boiling- Under certain circumstances, liquids may start to boil during or shortly after removal from the microwave oven. To prevent burns from splashing liquid, we recommend the following:

Before removing the container from the oven, allow the container to stand in the the oven for 30 to 40 containers such as soft drink bottles, wine flasks and especially narrow-necked coffee cups. Even if the container is opened, excessive steam can build up and cause it to burst or overflow.

- Don't defrost frozen beverages in narrow-necked bottles (especially carbonated beverages). Even if the container is opened, pressure can build up. This can cause the container to burst, possibly resulting in injury.
- Hot foods and steam can cause burns. Be careful when opening any containers of hot food, including popcorn bags, cooking pouches and boxes. To prevent possible injury, direct steam away from hands and face.
- Do not overcook potatoes. They could dehydrate and catch fire, causing damage to your oven.
- Cook meat and poultry thoroughly- meat to at least an INTERNAL temperature of 160°F (71.1°C), and poultry to at least an INTERNAL temperature of 180°F (82.2°C). Cooking to these temperatures usually protects against food borne illness.

IMPORTANT SAFETY INFORMATION

MICROWAVE-SAFE COOKWARE

Make sure all cookware used in your microwave oven is suitable for microwaving. Most glass casserole, cooking dishes, measuring cups, custard cups, pottery or china dinnerware which do not have metallic trim or glaze with a metallic sheen can be used. Some cookware will be labeled "suitable for microwaving".

- If you use a meat thermometer while cooking, make sure it is safe for use in microwave ovens.
- Do not use recycled paper products. Recycled paper towels, napkins, and waxed paper can contain metal flecks which may cause arcing or ignite. Paper products containing nylon or nylon filament should be avoided, as they may also ignite.
- Not all plastic wrap is suitable for use in microwave ovens. Check the package for proper use.
- Some styrofoam trays (like those that meat is packaged on) have a thin strip of metal embedded in the bottom. When microwaved, the metal can burn the floor of the oven, or ignite a paper towel.
- Cookware may become hot because of heat transferred from the heated food. Pot holders may be needed to handle the cookware.
- "Boilable" cooking pouches and tightly closed plastic bags should be slit, pierced, or vented as directed by package. If they are not, plastic could burst during or immediately after cooking, possibly resulting in injury. Also, plastic storage containers should be at least partially uncovered because they form a tight seal. When cooking with containers tightly covered with plastic wrap, remove covering carefully and direct steam away from hands and face.
- Paper towels, waxed paper, and plastic wrap can be used to cover dishes in order to retain moisture and prevent splattering. Be sure to vent plastic wrap so steam can escape.

How to test for a microwave-safe dish:

- 1) Place in the oven both the dish you are testing and a glass measuring cup filled with 1 cup of water.
- 2) Set the measuring cup either in or next to the dish.
- 3) Microwave 1 minute on high power.

If the dish heats, it should not be used for microwaving. If the dish remains cool and only the water in the cup heats, then the dish is microwave-safe.

- Use foil only as directed in this manual. TV dinners may be microwaved in foil trays less than 3/4" high; remove the top foil cover and return the tray to the box. When using foil in the microwave, keep the foil at least 1 inch away from the sides of the oven.
- Plastic cookware designed for microwave cooking is very useful, but should be used carefully. Even microwave-safe plastic may not be as tolerant of overcooking conditions as are glass and ceramic materials, and may soften or char if subjected to short periods of over-cooking. In longer exposure to over-cooking, the food and cookware could ignite.

Follow these guidelines:

- 1) Use Microwave-safe plastics only and use them in strict compliance with the cookware manufacturer's recommendations.
- 2) Do not microwave empty containers.
- 3) Do not permit children to use plastic cookware without complete supervision.

GROUNDING INSTRUCTIONS

WARNING:

Improper use of the grounding plug can result in a risk of electric shock.

This appliance must be grounded. In the event of an electrical short circuit, grounding reduces the risk of electric shock by providing an escape wire for the electric current. This appliance is equipped with a power cord having a grounding wire with a grounding plug. The plug must be plugged into an outlet that is properly installed and grounded.

Consult a qualified electrician or service technician if the grounding instructions are not completely understood, or if doubt exists as to whether the appliance is properly grounded. If the outlet is a standard 2-prong wall outlet, it is your personal responsibility and obligation to have it replaced with a properly grounded 3-prong wall outlet.

DO NOT under any circumstances cut or remove the third (ground) prong from the power cord.

DO NOT use an adapter plug with this appliance.

DO NOT use an extension cord with this appliance.

If the power cord is too short, have a qualified electrician or service technician install an outlet near the appliance.

For best operation, plug this appliance into its own electrical outlet to prevent flickering of lights, blowing of fuse, or tripping of circuit breaker.

a. A short power-supply cord is provided to reduce the risks resulting from becoming entangled in or tripping over a longer cord.

b. Longer cord sets or extension cords are available and may be used if care is exercised in their use.

c. If a long cord set or extension cord is used:

- 1) The marked electrical rating of the cord set or extension marked electrical rating of the cord set or extension cord should be at least as great as the electrical rating of the appliance.
- 2) The extension cord must be a grounding-type 3-wire cord;
- 3) The longer cord should be arranged so that it will not drape over the countertop or tabletop where it can be pulled on by children or tripped over unintentionally.

INSTALLATION GUIDE

- 1) Make sure that all packing materials are removed from the inside of the microwave oven.
- 2) Check the microwave for any damage, such as misaligned or bent door, damaged door seals and sealing surface, broken or loose door hinges and latches, and dents inside the cavity or on the door. If there is any damage, do not operate the oven but contact a qualified service personnel.
- 3) This microwave oven must be placed on a flat, stable surface to hold its weight.
- 4) Do not place the microwave oven where heat, moisture, or high humidity are generated, or near combustible materials.
- 5) Do not operate the oven without glass tray, roller support, and shafts in their proper positions.
- 6) Make sure that the power supply cord is undamaged and does not run under the microwave oven or over any hot or sharp surfaces.
- 7) The socket must be readily accessible so that it can be easily unplugged in an emergency.

SPECIAL CORD SET INSTRUCTIONS

DANGER:

Electric Shock Hazard: Touching some of the internal components can cause serious personal injury or death. Do not disassemble this appliance.

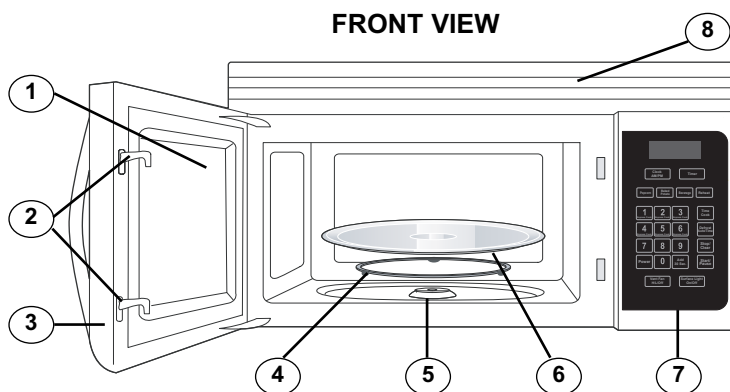
WARNING:

Electric Shock Hazard: Improper grounding can result in electric shock. Do not plug into an outlet until appliance is properly installed and grounded.

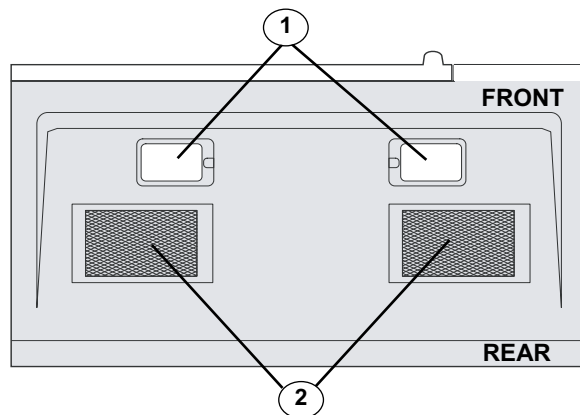
OPERATING INSTRUCTIONS

FEATURES OF YOUR MICROWAVE

- 1) Window
- 2) Interlock System
- 3) Door Assembly
- 4) Turntable Ring Assembly
- 5) Turntable Shaft
- 6) Turntable Glass Tray
- 7) Control Panel
- 8) Front Vent Grill



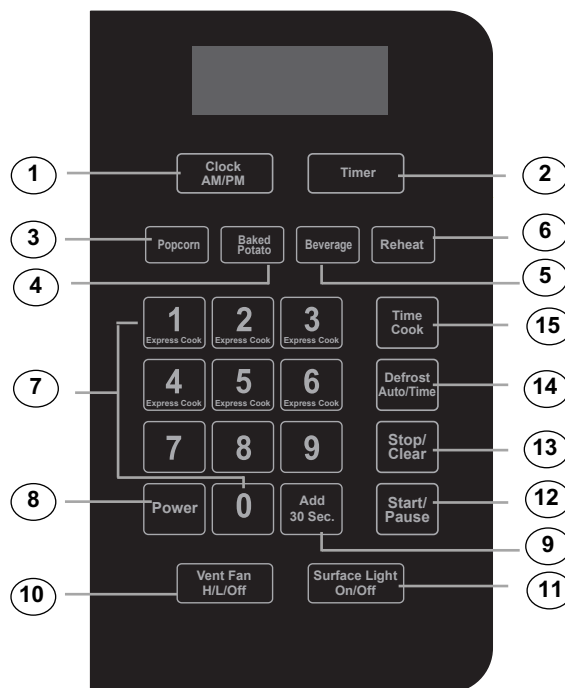
BOTTOM VIEW



- 1) Surface Lights
- 2) Ventilation Filters

CONTROLS

- 1) Clock AM/PM
- 2) Timer
- 3) Popcorn
- 4) Baked Potato
- 5) Beverage
- 6) Reheat
- 7) Number Buttons
- 8) Power
- 9) Add 30 Sec.
- 10) Vent Fan H/L/Off
- 11) Surface Light On/Off
- 12) Start/Pause
- 13) Stop/Clear
- 14) Defrost Auto/Time
- 15) Time Cook



OPERATING INSTRUCTIONS

SETTING THE CLOCK

- 1) Press "CLOCK", the unit enters the clock setting states. AM indicator will light. "0:00" flash to remind you to input the time.
- 2) Press "CLOCK" again to select AM or PM. The responding AM or PM indicator lights.
- 3) Press the number keys and enter the correct time. For example, time is 10:12 now, please press "1,0,1,2" in turn.
- 4) Press "CLOCK" key finish setting the clock.

Note:

- a. This is a 12 hour clock from 1:00 to 12:59. If the time set is not appropriate, press "CLOCK" will be no used.
- b. When current time change from 11:59 to 12:00, AM and PM will change automatically.

MICROWAVE COOKING

- 1) Press "TIME COOK" to select microwave cooking. "0:00" flash to remind you to input the cooking time.
- 2) Press the number keys to adjust the cooking time you need. For example, to cook the time for 10 minutes. Please press "1,0,0,0" in turn. The maximum cooking time is 99 minutes 99 seconds.
- 3) At the same time, you can choose the power by pressing "POWER".
- 4) Press the number keys to select the power level.
- 5) Press "START/PAUSE" to start cooking. Time counts down.

Note:

- 1) If the power level you choose is 100% power, steps "3" and "4" can be skipped and go directly to the step "5".
- 2) After cooking finishing, buzzer sounds five times.
- 3) During cooking process, press "START/PAUSE" to add 30 seconds. The MAX.time is 99 minutes 99 seconds.

Ten power levels are available:

LEVEL	POWER	DISPLAY
10	100%	PL10
9	90%	PL9
8	80%	PL8
7	70%	PL7
6	60%	PL6
5	50%	PL5
4	40%	PL4
3	30%	PL3
2	20%	PL2
1	10%	PL1

MULTI-STAGE COOKING

At most two stages can be input.

For example: to cook the food with 100% microwave power for 10 minutes and then cook with 80% microwave power for 15 minutes. Do as following:

- 1) Press "TIME COOK" to choose microwave cooking;
- 2) Press "1","0","0","0" to input the cooking time;
- 3) Press "POWER" to select the microwave power;
- 4) Press "10" to choose 100% microwave power;
- 5) Press "TIME COOK" to choose microwave cooking;
- 6) Press "1","5","0","0" to input cooking time;
- 7) Press "POWER" to select the microwave power;
- 8) Press "8" to choose 80% microwave power;
- 9) Press "START/PAUSE" to start cooking.

Note:

- a. Microwave cooking can be set as two stages only. Defrost program and auto menu cannot be set here.
- b. When the first stage finish, buzzer sounds once and the second stage begins cooking.

DEFROST COOKING

A. Defrost By Weight

- 1) Press "DEFROST AUTO/TIME" once to choose defrost by weight function. 0.0 will flash and "lb" indicator flash;
- 2) Press number keys from 0 to 9 to input the defrost weight. For example: the food weight is 1.2 Lbs, then "1","2" will be input. The maximum cooking weight is 6.0 Lbs. If the weight input is more than 6.0 Lbs, the unit will turn back to waiting states.
- 3) Press "START/PAUSE" to start defrosting. "lb" indicator will be off.

DEFROST BY TIME

- 1) Press "DEFROST AUTO/TIME" twice to choose defrost by time function. 0:00 flash and defrost indicator will light;
- 2) Press number keys from 0 to 9 to input the defrost time. The maximum time can be input is 99 minutes and 99 seconds.
- 3) Press "START/PAUSE" to start defrosting.

Note: If half the defrost time passes, the buzzer will sound twice to remind you to turn the food over.

OPERATING INSTRUCTIONS

POPCORN

- a) Press "POPCORN" repeatedly until the number you wish appears in the display.
"1" SET: approximate 1.75 ounces
"2" SET: approximate 3.0 ounces
"3" SET: approximate 3.5 ounces
For example, press "POPCORN" three times , "3.5" appears in the LED.
- b) Press "START/PAUSE" to cook.

Beverage Menu

- a) Press "BEVERAGE" repeatedly until the number you wish appears in the display.
"1" SET: approximate 8.8 ounces
"2" SET: approximate 17.6 ounces
"3" SET: approximate 26.4 ounces
For example, press "BEVERAGE" once, "1" appears in the LED.
- b) Press "START/PAUSE" to cook.

BAKED POTATO MENU

- 1) Press " BAKED POTATO " repeatedly until the number you wish appears in the display.
"1"SET: for approximately 7.1 ounces
"2"SET: for approximately 14.2 ounces
"3"SET: for approximately 21.3 ounces
For example, press "BAKED POTATO" once , "1" appears in the LED.
- 2) Press "START/PAUSE" to cook.

REHEAT

- 1) Press "REHEAT" repeatedly until the number you wish appears in the display.
For example, press "REHEAT" once , "8.0" ounces appears in the LED.
press "REHEAT" twice , "16.0" ounces appears in the LED.
press "REHEAT" 3 times , "24.0" ounces appears in the LED.
- 2) Press "START/PAUSE " to cook.

HOOD FUNCTION

- 1) When the exhaust fan is under off states, press "VENT FAN/HI/LOW/OFF" once to choose the fan with high speed;
- 2) Press "VENT FAN/HI/LOW/OFF" twice to choose the fan with low speed;
- 3) Press "VENT FAN/HI/LOW/OFF" three times to choose the fan to be off.

OVEN LAMP

- 1) Press "SURFACE LIGHT ON/OFF" once to turn on the lamp;
- 2) Press "SURFACE LIGHT ON/OFF" twice to turn off the lamp.

TIMER FUNCTION

- 1) Press "TIMER", timer indicator will light;
- 2) Press number keys to input the cooking time you need. The maximum cooking time is 99 minutes and 99 seconds.
- 3) Press "TIMER", time counts down. When time counting down is over, buzzer sounds to indicates off.

Note:

During timer states, hood and oven lamp can be activated. Others function will be no used.

LOCK FUNCTION FOR CHILDREN

Lock: In waiting state, press "STOP/CLEAR" for 3 seconds, there will be two beeps denoting the entering into the children-lock state.

Lock quitting: In locked state, press "STOP/CLEAR" for 3 seconds, there will be two beepsdenoting that lock is released.

INQUIRING FUNCTION

- 1) Under microwave cooking states, press "POWER LEVEL" to check the power level.
- 2) During cooking states, press "CLOCK" to check the clock.

SPEEDY COOKING

- a) Press number keys from 1 to 6 to start cooking with full microwave power for 1-6 minutes.
- b) In the waiting state, press "ADD 30 SEC." to start cooking 100% microwave power for 30 seconds.
- c) During cooking, 30 seconds can be added each time the "ADD 30 SEC" is pressed. The maximum cooking time is 99 minutes and 99 seconds.

CARE AND CLEANING

- 1) Turn off the oven and remove the power plug from the wall socket before cleaning.
- 2) Keep the inside of the oven clean. When food splatters or spilled liquids adhere to oven walls, wipe with a damp cloth. Mild detergent may be used if the oven gets very dirty. Avoid the use of spray and other harsh cleaners as they may stain, streak or dull the door surface.
- 3) The outside surfaces should be cleaned with a damp cloth. To prevent damage to the operating parts inside the oven, water should not be allowed to seep into the ventilation openings.
- 4) Wipe the window on both sides with a damp cloth to remove any spills or spatters.
- 5) Do not allow the control panel to become wet. Clean with a soft, damp cloth. When cleaning the control panel, leave oven door open to prevent oven from accidentally turning on.
- 6) If steam accumulates inside or around the outside of the oven door, wipe with a soft cloth. This may occur when the microwave oven is operated under high humidity conditions; this is normal.
- 7) It is occasionally necessary to remove the glass tray for cleaning. Wash the tray in warm sudsy water or in a dishwasher.
- 8) The roller ring and oven floor should be cleaned regularly to avoid excessive noise. Simply wipe the bottom surface of the oven with mild detergent. The roller ring may be washed in mild sudsy water or dishwasher. When removing the roller ring from cavity floor for cleaning, be sure to replace in the proper position.
- 9) Remove odors from your oven by combining a cup of water with the juice and skin of one lemon in a deep bowl, microwave for 5 minutes. Wipe thoroughly and dry with a soft cloth.
- 10) When it becomes necessary to replace the oven light, please consult a dealer to have it replaced.
- 11) When cleaning surfaces of door and oven that comes together on closing the door, use only mild, non abrasive soaps or detergents applied with a sponge or soft cloth.

TROUBLESHOOTING

Occasionally, a problem may arise that is minor in nature, and a service call may not be necessary. Use this troubleshooting guide for a possible solution. If the unit continues to operate improperly, call an authorized service depot or Danby's Toll Free Number **1-800-263-2629** for assistance.

PROBLEM	POSSIBLE CAUSE	SOLUTION
Oven will not start	<ul style="list-style-type: none"> a. Electrical cord for oven is not plugged in. b. Door is open. c. Wrong operation is set. 	<ul style="list-style-type: none"> a. Plug into the outlet. b. Close the door and try again. c. Check instructions.
Arcing or sparking	<ul style="list-style-type: none"> a. Materials to be avoided in microwave oven were used. b. The oven is operated when empty. c. Spilled food remains in the cavity. 	<ul style="list-style-type: none"> a. Use microwave-safe cookware only. b. Do not operate with oven empty. c. Clean cavity with wet towel.
Unevenly cooked foods	<ul style="list-style-type: none"> a. Materials to be avoided in microwave oven were used. b. Food is not defrosted completely. c. Cooking time, power level is not suitable. d. Food is not turned or stirred. 	<ul style="list-style-type: none"> a. Use microwave-safe cookware only. b. Completely defrost food. c. Use correct cooking time, power level. d. Turn or stir food.
Overcooked foods	<ul style="list-style-type: none"> a. Cooking time, power level is not suitable. 	<ul style="list-style-type: none"> a. Use correct cooking time, power level.
Undercooked foods	<ul style="list-style-type: none"> a. Materials to be avoided in microwave oven were used. b. Food is not defrosted completely. c. Oven ventilation ports are restricted. d. Cooking time, power level is not suitable. 	<ul style="list-style-type: none"> a. Use microwave-safe cookware only. b. Completely defrost food. c. Check to see that oven ventilation ports are not restricted. d. Use correct cooking time, power level.
Improper defrosting	<ul style="list-style-type: none"> a. Materials to be avoided in microwave oven were used. b. Cooking time, power level is not suitable. c. Food is not turned or stirred. 	<ul style="list-style-type: none"> a. Use microwave-safe cookware only. b. Use correct cooking time, power level. c. Turn or stir food.

Danby[®] LIMITED APPLIANCE WARRANTY

This quality product is warranted to be free from manufacturer's defects in material and workmanship, provided that the unit is used under the normal operating conditions intended by the manufacturer.

This warranty is available only to the person to whom the unit was originally sold by Danby Products Limited (Canada) or Danby Products Inc. (U.S.A.) (hereafter "Danby") or by an authorized distributor of Danby, and is non-transferable.

TERMS OF WARRANTY

Plastic parts, are warranted for thirty (30) days only from purchase date, with no extensions provided.

First Year During the first twelve (12) months, any functional parts of this product found to be defective, will be repaired or replaced, at warrantor's option, at no charge to the ORIGINAL purchaser.

To obtain Service It will be the consumer's responsibility to transport the appliance (at their own expense) to the original retailer (point of purchase) or a service depot for repair. Contact your dealer from whom your unit was purchased, or contact your nearest authorized Danby service depot, where service must be performed by a qualified service technician.

If service is performed on the unit by anyone other than an authorized service depot, or the unit is used for commercial application, all obligations of Danby under this warranty shall be void.

Nothing within this warranty shall imply that Danby will be responsible or liable for any spoilage or damage to food or other contents of this appliance, whether due to any defect of the appliance, or its use, whether proper or improper.

EXCLUSIONS

Save as herein provided, Danby, there are no other warranties, conditions, representations or guarantees, express or implied, made or intended by Danby or its authorized distributors and all other warranties, conditions, representations or guarantees, including any warranties, conditions, representations or guarantees under any Sale of Goods Act or like legislation or statute is hereby expressly excluded. Save as herein provided, Danby shall not be responsible for any damages to persons or property, including the unit itself, howsoever caused or any consequential damages arising from the malfunction of the unit and by the purchase of the unit, the purchaser does hereby agree to indemnify and hold harmless Danby from any claim for damages to persons or property caused by the unit.

GENERAL PROVISIONS

No warranty or insurance herein contained or set out shall apply when damage or repair is caused by any of the following:

- 1) Power failure.
- 2) Damage in transit or when moving the appliance.
- 3) Improper power supply such as low voltage, defective house wiring or inadequate fuses.
- 4) Accident, alteration, abuse or misuse of the appliance such as inadequate air circulation in the room or abnormal operating conditions (extremely high or low room temperature).
- 5) Use for commercial or industrial purposes (ie. If the appliance is not installed in a domestic residence).
- 6) Fire, water damage, theft, war, riot, hostility, acts of God such as hurricanes, floods etc.
- 7) Service calls resulting in customer education.
- 8) Improper Installation (ie. Building-in of a free standing appliance or using an appliance outdoors that is not approved for outdoor application).

Proof of purchase date will be required for warranty claims; so, please retain bill of sale. In the event warranty service is required, present this document to our AUTHORIZED SERVICE DEPOT.

Warranty Service
Carry-In

Danby Products Limited
PO Box 1778, Guelph, Ontario, Canada N1H 6Z9
Telephone: (519) 837-0920 FAX: (519) 837-0449

1-800-263-2629

Danby Products Inc
PO Box 669, Findlay, Ohio, U.S.A. 45840
Telephone: (419) 425-8627 FAX: (419) 425-8629

BIENVENUE

Bienvenue dans la famille de produits Danby. Nous sommes fiers de nos produits de qualité et nous croyons en un service fiable. Vous le constaterez à ce guide pratique et au ton amical de notre personnel du service à la clientèle.

Tel: 1-800-26- Danby
(1-800-263-2629)

Mieux encore, vous constaterez la qualité de nos produits et leur fiabilité à chaque utilisation de votre four à micro-ondes. C'est important : votre nouveau four à micro-ondes fera longtemps partie de votre famille.

AVANT D'UTILISER VOTRE FOUR À MICRO-ONDES

Inscrivez les numéros de modèle et de série ici. Ils se trouvent sur une étiquette à l'arrière du four.

Numéro de modèle _____

Numéro de série _____

Date d'achat _____

Brochez votre coupon de caisse à l'endos de ce guide. Il sera nécessaire pour votre garantie.

BESOIN D'AIDE?

Avant de téléphoner pour une réparation, voici quelques petites choses que vous pouvez faire afin que nous puissions mieux vous servir.

Lisez ce guide : Il contient des instructions qui vous aideront à utiliser et entretenir correctement votre four à micro-ondes.

Si vous avez reçu un four à micro-ondes endommagé : Contactez immédiatement le détaillant (ou le fabricant) qui vous a vendu le four.

Économisez temps et argent : Consultez la section « Dépannage » avant de téléphoner. Cette section vous aidera à résoudre les problèmes courants éventuels. Si vous avez besoin de notre aide, vous pouvez être assuré que nous serons au bout du fil.



Tel: 1-800-26- **Danby**
(1-800-263-2629)

RENSEIGNEMENTS IMPORTANTS CONCERNANT LA SÉCURITÉ

LISEZ TOUTES LES CONSIGNES DE SÉCURITÉ AVANT L'UTILISATION

DÉCLARATION QUANT AUX INTERFÉRENCES DE FRÉQUENCE RADIO DE LA COMMISSION FÉDÉRALE DES COMMUNICATIONS (É.-U. SEULEMENT)

Cet équipement génère et utilise des fréquences sur bande ISM. S'il n'est pas installé et utilisé correctement, c'est-à-dire selon les directives du fabricant, ces fréquences peuvent entraîner des interférences dans les réceptions radiophoniques et télévisuelles. Cet équipement a été mis à l'essai et déclaré conforme aux limitations de l'équipement ISM énoncées à l'article 18 de la réglementation de la Commission, dont le but est d'offrir une protection raisonnable contre de telles interférences dans les installations résidentielles.

Il n'existe cependant aucune garantie que des interférences ne surviendront pas dans des installations particulières. Si cet équipement entraîne des interférences dans les réceptions radiophonique et télévisuelle, ce qui peut être déterminé en allumant et en éteignant l'équipement, l'utilisateur devrait tenter de corriger l'interférence en posant un ou plusieurs des gestes suivants :

- Réorienter l'antenne réceptrice de la radio ou de la télévision;
- Déplacer le four à micro-ondes par rapport au récepteur;
- Éloigner le four à micro-ondes du récepteur;
- Brancher le four à micro-ondes dans une prise différente afin qu'il ne se trouve pas sur le même circuit que le récepteur.

Le fabricant n'est pas responsable des interférences radiophoniques ou télévisuelles causées par une **MODIFICATION NON AUTORISÉE** à ce four à micro-ondes. L'utilisateur est responsable de la correction de telles interférences.

PRÉCAUTIONS À PRENDRE AFIN D'ÉVITER UNE EXPOSITION EXCESSIVE À L'ÉNERGIE MICRO-ONDE

Afin d'assurer votre sécurité, les consignes de ce guide doivent être suivies afin de réduire les risques d'incendie ou d'explosion, de dommages à la propriété, de blessure ou de décès.

Ne faites pas fonctionner ce four la porte ouverte : un tel fonctionnement peut entraîner une exposition dangereuse à l'énergie micro-onde. Il est important de ne pas contourner ou altérer le verrouillage de sécurité.

Ne déposez pas d'objet entre la face du four et la porte. Ne laissez pas la saleté ou les résidus de produits nettoyants s'accumuler sur les surfaces d'étanchéité.

Ne faites pas fonctionner le four s'il est endommagé. Il est très important que la porte du four se ferme bien et que les éléments suivants ne soient pas endommagés :

- 1 porte (courbée);
- 2 charnières et loquets (brisés ou lâches);
- 3 surface d'étanchéité et porte étanche.

Le four doit être réglé ou réparé par un technicien qualifié.

CONSERVEZ CES INSTRUCTIONS!

AVERTISSEMENT:

Pour réduire les risques d'incendie, des brûlures, des blessures de choc électrique pour les personnes ou l'exposition de l'énergie micro-ondes excessive lorsque vous utilisez votre appareil.

CONSIGNES DE SÉCURITÉ

- Lisez et respectez les « Précautions à prendre afin d'éviter une exposition excessive à l'énergie micro-onde », à la page 14.
 - Cet appareil doit être mis à la terre. Ne le branchez que sur une prise correctement mise à la terre. Consultez la section « Directives de mise à la terre », à la page 19.
 - N'utilisez pas cet appareil si son cordon ou sa fiche d'alimentation sont endommagés, s'il ne fonctionne pas correctement ou s'il a été échappé ou endommagé.
 - Ne couvrez ni ne bloquez aucune ouverture de l'appareil.
 - Utilisez cet appareil à ce pour quoi il a été conçu, tel que décrit dans ce guide. N'utilisez pas de vapeurs ou de produits chimiques corrosifs dans cet appareil.
 - Ce four à micro-ondes est spécialement conçu pour chauffer, sécher ou cuire des aliments. Il n'est pas conçu pour une utilisation industrielle ou en laboratoire.
 - Certains produits tels les œufs entiers et les contenants hermétiques tels les pots de verre fermés peuvent exploser et ne devraient pas être chauffés dans ce four.
 - Ne rangez pas cet appareil à l'extérieur.
 - N'utilisez pas ce produit près d'une source d'eau, tel un sous-sol humide, une piscine ou un évier.
 - Éloignez le cordon d'alimentation de toute surface chauffée.
 - N'immergez pas le cordon d'alimentation ou la fiche.
 - Consultez les directives de nettoyage de la surface de la porte aux sections « Entretien et nettoyage » de ce guide.
 - Toute réparation doit être effectuée par un personnel qualifié seulement. Contactez le centre de service autorisé le plus près pour vérification, réparation ou réglage.
 - Comme c'est le cas de tout appareil, une surveillance étroite est nécessaire lors de l'utilisation par des enfants.
- Pour réduire le risque d'incendie dans l'enceinte du four :**
- Ne cuisez pas trop les aliments.
 - Surveillez étroitement l'appareil pendant la cuisson si du papier, plastique ou autre matériau combustible sont placés dans le four.
 - Retirez les attaches et les poignées métalliques des contenants de plastique avant de les placer dans le four.
 - N'utilisez pas le four comme espace de rangement. Ne laissez pas de papier, d'ustensiles ou d'aliments dans le four lorsqu'il n'est pas utilisé.
 - N'utilisez pas le four pour sécher les journaux.
 - Si des matériaux devaient s'enflammer dans le four, laissez la porte du four fermée, éteignez le four et débranchez l'alimentation au niveau de la fusible ou du disjoncteur. Le feu risque de se propager si la porte est ouverte.

CONSERVEZ CES INSTRUCTIONS!

REMARQUES PARTICULIÈRES CONCERNANT LA CUISSON MICRO-ONDE

FORMATION D'ÉTINCELLES

Si vous voyez des étincelles, appuyez sur le bouton ARRÊT/ANNULER et corrigez le problème.

« Arcing » est le terme des micro-ondes pour décrire la formation d'étincelles dans le four. La formation d'étincelle est causée par :

- Du métal ou du papier d'aluminium en contact avec la paroi du four;
- Du papier d'aluminium non moulé autour des aliments (les arêtes pointant vers le haut agissent comme des antennes);
- Du métal, tel des attaches métalliques, des broches de volaille ou de la vaisselle cordonnée d'or dans le four à micro-ondes;
- Essuie-tout recyclé contenant de petits morceaux de métal dans le four à micro-ondes.

ALIMENTS

- Le maïs soufflé ne doit être cuit dans votre four à micro-ondes qu'à l'aide d'un accessoire de cuisson spécialement conçu à cet effet, à moins que vous n'utilisiez du maïs soufflé identifié pour l'utilisation au four à micro-ondes.
- Certains produits, tels les œufs entiers (dans leur coquille), les contenants hermétiques et les pots de verre fermés, peuvent exploser et ne devraient pas être chauffés dans ce four à micro-ondes.
- Ne faites pas bouillir des œufs au four à micro-ondes. La pression s'accumulera dans le jaune d'œuf et le fera exploser, entraînant potentiellement des blessures.
- Faire fonctionner le four à micro-ondes sans aliment à l'intérieur l'endommager et causer un incendie. La chaleur autour du magnétron augmente et peut réduire la durée de vie du four.
- Les aliments dotés d'une « peau » fermée tels les pommes de terre, saucisses, tomates, pommes, foie de poulet ou autres abattis et les jaunes d'œuf doivent être piqués avant la cuisson afin de permettre que la vapeur s'en échappe.

DONNÉES DE SÉCURITÉ: EAU SURCHAUFFÉE

L'eau et les autres liquides ne font pas toujours de bulles lorsqu'ils atteignent le point d'ébullition au four à micro-ondes. Ils peuvent en fait surchauffer sans faire une seule bulle. Le liquide surchauffé peut faire des bulles lorsqu'il est déplacé ou que quelque chose y est déposé, telle une cuiller ou un sachet de thé. Afin d'éviter cette situation pouvant entraîner des blessures, ne chauffez aucun liquide pendant plus de 2 minutes par tasse. Une fois le liquide chauffé, laissez reposer la tasse pendant 30 secondes dans le four à micro-ondes avant de la déplacer ou d'y déposer quoi que ce soit.

- Évitez de chauffer de la nourriture pour bébé dans des pots de verre, même sans le couvercle. Assurez-vous que la nourriture pour bébé est entièrement cuite.

Mélangez les aliments afin de répartir la chaleur également. Prenez soin de ne pas vous ébouillanter lorsque vous chauffez du lait maternisé. Le contenant peut sembler plus froid que le lait ne l'est en réalité.

Vérifiez toujours la température du lait avant de nourrir le bébé.

- Ébullition spontanée – Dans certains cas, un liquide peut commencer à bouillir pendant qu'on le retire du four à micro-ondes ou immédiatement après. Afin d'éviter les blessures causées par un éclaboussement, nous vous recommandons de laisser le contenant reposer entre 30 et 40 secondes dans le four éteint avant de l'en retirer. Ne faites pas bouillir de liquide dans des contenants à col mince tels les bouteilles de boissons gazeuses, les flacons de vin et surtout les tasses à café étroites. Même si le contenant est ouvert, de la vapeur peut s'accumuler en excès et entraîner une explosion ou un débordement.
- Ne faites pas décongeler de boissons surgelées dans des bouteilles étroites (surtout les boissons gazeuses). Même si le contenant est ouvert, de la pression peut s'accumuler. Le contenant pourrait exploser, entraînant des blessures.
- La vapeur et les aliments chauds peuvent entraîner des brûlures. Soyez prudent lorsque vous ouvrez des contenants d'aliments chauds, y compris les sacs de maïs soufflé, les pochettes de cuisson et les boîtes. Afin d'éviter les blessures, dirigez la vapeur loin des mains et du visage.
- Ne cuisez pas trop les pommes de terre. Elles pourraient se déshydrater et s'enflammer, endommageant votre four.
- Cuisez entièrement la viande et la volaille : la viande doit avoir une température INTERNE d'au moins 71,1°C (160°F) et la volaille 82,2°C (180°F). La cuisson à ces températures prévient habituellement les maladies alimentaires.

CONSERVEZ CES INSTRUCTIONS!

REMARQUES PARTICULIÈRES CONCERNANT LA CUISSON MICRO-ONDE

USTENSILES DE CUISSON POUR MICRO-ONDES

Assurez-vous que tous les ustensiles utilisés dans votre four à micro-ondes conviennent à ce type de cuisson. La plupart des casseroles de verre, plats de cuisson, tasses à mesurer, ramequins, poteries ou porcelaines sans bordure métallique ou enduit métallique peuvent être utilisés. Certains ustensiles de cuisson sont identifiés « sûr pour la cuisson aux micro-ondes ».

- Si vous utilisez un thermomètre à viande durant la cuisson, assurez-vous qu'il convient aux fours au micro-ondes.
- N'utilisez pas de produits de papier recyclé. Les essuie-tout, serviettes de table et papier ciré recyclés peuvent contenir des particules métalliques pouvant causer la formation d'étincelles ou de flammes. Les produits de papier contenant du nylon ou des fils de nylon devraient être évités: eux aussi peuvent s'enflammer.
- Tous les emballages de plastique ne conviennent pas aux fours à micro-ondes. Vérifiez l'emballage pour une utilisation adéquate.
- Le fond de certains plateaux de polystyrène, tels les emballages de viande, comporte une fine couche de métal. Lorsque cuit aux micro-ondes, le métal peut brûler le plancher du four ou enflammer un essuie-tout.
- La chaleur des aliments chauffés peut se transférer sur l'ustensile de cuisson. Vous aurez peut-être besoin de poignées pour manipuler l'ustensile.
- Les pochettes de cuisson « à bouillir » et les sacs de plastique hermétiquement fermés devraient être fendus, percés ou aérés, tel qu'indiqué sur leur emballage. Sans quoi, le plastique pourrait exploser pendant la cuisson ou immédiatement après, entraînant des blessures. En outre, les plats de rangement de plastique devraient être partiellement découverts afin d'éviter qu'ils ne forment une fermeture hermétique. Lors de la cuisson de contenants couverts hermétiquement à l'aide de pellicule plastique, soyez prudent en retirant la pellicule et dirigez la vapeur loin des mains et du visage.
- Les essuie-tout, le papier ciré et la pellicule plastique peuvent être utilisés pour couvrir les plats afin de retenir l'humidité et d'empêcher les éclaboussures. Assurez-vous d'aérer la pellicule plastique afin que la vapeur puisse s'échapper.

Comment déterminer si un plat convient au micro-ondes :

- 1) Placez le plat à vérifier et une tasse à mesurer de verre remplie d'une tasse d'eau dans le four.
 - 2) Placez la tasse à mesurer dans le plat ou à côté.
 - 3) Faites cuire aux micro-ondes pendant une minute à puissance élevée. Si le plat chauffe, il ne devrait pas être utilisé pour la cuisson micro-ondes. Si le plat demeure froid et que seule l'eau dans la tasse chauffe, le plat convient aux micro-ondes.
- N'utilisez le papier d'aluminium que de la façon décrite dans ce guide. Les plateaux télé peuvent être cuits au micro-ondes dans des plateaux d'aluminium de moins de 3/4 po. Retirez le couvercle supérieur et remettez le plateau dans la boîte. Lorsque vous utilisez du papier d'aluminium dans le four à micro-ondes, gardez une distance d'au moins 1 pouce entre le papier et les parois du four.

- Les ustensiles de cuisson de plastique conçus pour les micro-ondes sont très pratiques, mais doivent être utilisés avec prudence. Même les plastiques conçus pour les micro-ondes peuvent ne pas résister à la surcuisson aussi bien que le verre ou la céramique : ils peuvent ramollir ou carboniser lorsque soumis à de courtes périodes de surcuisson. Les aliments et l'ustensile peuvent même s'enflammer sur une longue période de surcuisson.

Suivez les lignes directrices suivantes:

- 1) Utilisez des ustensiles de plastique conçus pour les micro-ondes seulement et suivez attentivement les recommandations du fabricant.
- 2) **Ne cuisez pas** de contenant vide aux micro-ondes.
- 3) **Ne laissez pas** les enfants utiliser d'ustensile de plastique sans surveillance étroite.

INSTRUCTIONS DE MISE À LA TERRE

AVERTISSEMENT:

Une utilisation inadéquate de la prise de mise à la terre peut causer des chocs électriques.

- Cet appareil doit être mis à la terre. Dans le cas d'un court-circuit électrique, la mise à la terre réduit le risque de choc électrique en offrant une sortie au courant électrique.
- Cet appareil est doté d'un cordon d'alimentation avec fiche bipolaire avec terre. La fiche doit être branchée dans une prise correctement installée et mise à la terre. Consultez un électricien qualifié ou un technicien d'entretien si les directives de mise à la terre ne sont pas entièrement comprises, ou si un doute subsiste quant à la mise à la terre appropriée de l'appareil.
- Si la prise est une prise standard à deux fiches, il est de votre responsabilité et devoir de la faire remplacer par une prise à trois fentes avec terre.
- Ne coupez pas et ne retirez pas la troisième lame (mise à la terre) du cordon d'alimentation, peu importe les circonstances. N'utilisez pas d'adaptateur de fiche avec cet appareil.
- N'utilisez pas de rallonge avec cet appareil. Si le cordon d'alimentation est trop court, faites installer une prise près de l'appareil par un électricien qualifié ou un technicien d'entretien. Pour un meilleur fonctionnement, branchez cet appareil dans une prise à lui seul afin d'éviter le scintillement des lumières, le grillage d'un fusible ou un arrêt du disjoncteur.

GUIDE D'INSTALLATION

- 1) S'assurer que tous les matériaux d'emballage sont enlevés de l'intérieur du four à micro-ondes.
- 2) Vérifiez le four à micro-ondes pour déceler la présence de tout dommage, comme une courbure de la porte, des dommages causés aux joints de la porte, les gonds de porte ou le loquet cassés ou détachés, ou des bosses dans l'intérieur ou sur la porte. En cas de dommages, ne faites pas fonctionner le four : communiquez avec un technicien d'entretien qualifié.
- 3) Ce four à micro-ondes doit être placé sur une surface plate et stable pour tenir son poids.
- 4) Ne pas placer le four à micro-ondes à des endroits où est générée de la chaleur ou de l'humidité ou où la teneur en humidité est élevée, ou près de matières combustibles.
- 5) Ne faites pas fonctionner le four si le plateau en verre, l'axe d'entraînement et l'anneau ne sont pas dans leurs positions correctes.
- 6) Assurez-vous que le cordon d'alimentation est intact et ne passe pas sous le four à micro-ondes ou sur les surfaces chaudes ou tranchantes.
- 7) La prise doit être facilement accessible pour que le four puisse être débranché facilement en cas d'urgence.

INSTRUCTIONS RELATIVES AU CORDON :

DANGER:

Risque de décharge électrique. Le contact avec certains des composants internes peut causer des blessures graves, voire la mort. Ne pas démonter cet appareil.

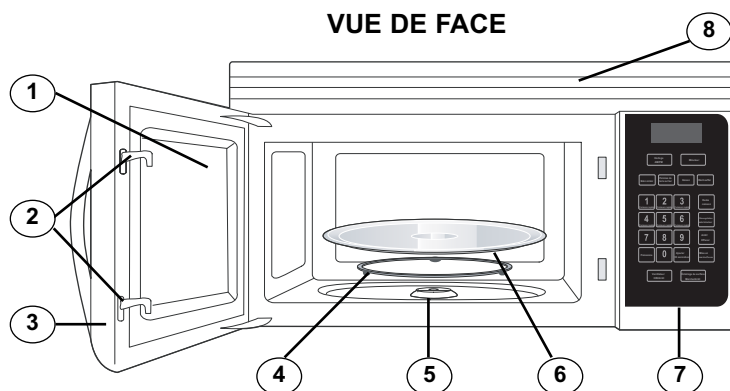
AVERTISSEMENT:

Risque de décharge électrique. Une mise à la terre incorrect peut causer un risque de décharge électrique. Ne pas brancher cet appareil sur une source d'électricité tant qu'il n'a pas été correctement installé et mis à la terre.

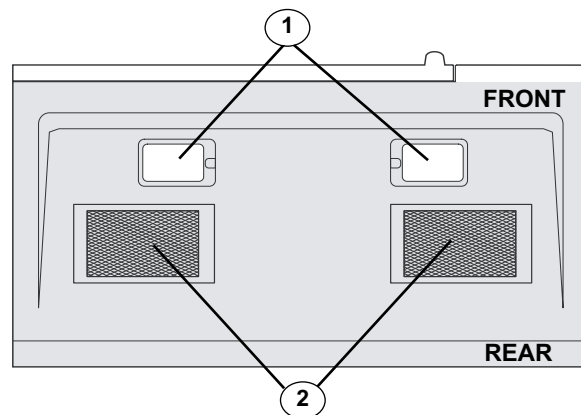
FUNCTIONNEMENT

CARACTÉRISTIQUES DE VOTRE FOUR À MICRO-ONDES

- 1) Hublot
- 2) Verrouillage
- 3) Porte
- 4) Anneau du plateau rotatif
- 5) Axe d'entraînement du plateau rotatif
- 6) Plateau rotatif en verre
- 7) Panneau de commande
- 8) Grille de ventilation avant



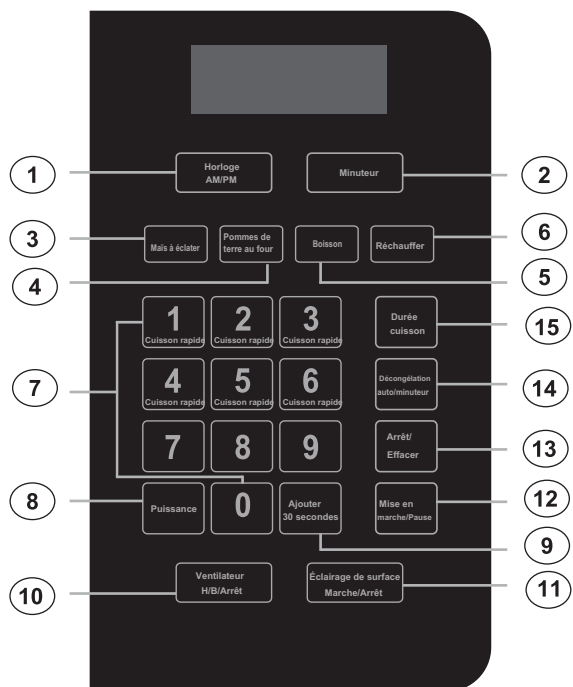
VUE DE DESSOUS



- 1) Éclairage de la surface de cuisson
- 2) Filtres de ventilation

COMMANDES

- 1) HORLOGE AM/PM
- 2) MINUTEUR
- 3) MAÏS À ÉCLATER
- 4) POMMES DE TERRE AU FOUR
- 5) BOISSON
- 6) RÉCHAUFFER
- 7) TOUCHES NUMÉRIQUES
- 8) PUISSANCE
- 9) AJOUTER 30 SECONDES
- 10) VENTILATEUR H/B/ARRÊT
- 11) ÉCLAIRAGE DE SURFACE MARCHE/ARRÊT
- 12) MISE EN MARCHÉ/PAUSE
- 13) ARRÊT/EFFACER
- 14) DÉCONGÉLATION AUTO/MINUTEUR
- 15) DURÉE CUISSON



RÉGLAGE DE L'HORLOGE

- 1) Appuyez sur « HORLOGE » : l'appareil entre en mode réglage de l'horloge et l'indicateur AM s'allume. « 0:00 » clignote pour vous rappeler de saisir l'heure.
- 2) Appuyez à nouveau sur « HORLOGE » pour choisir AM ou PM. L'indicateur correspondant s'allume.
- 3) Appuyez sur les touches numériques pour saisir l'heure exacte. Par exemple, s'il est 10 h 12, appuyez séquentiellement sur les touches 1, 0, 1 et 2.
- 4) Appuyez sur la touche « HORLOGE » pour terminer le réglage de l'horloge.

Remarque :

- a. Il s'agit d'une horloge de 12 heures, allant de 1 h 00 à 12 h 59. Si l'heure inscrite n'est pas correcte, la touche « HORLOGE » ne fonctionnera pas. La sonnerie émettra deux bips et le four retournera en mode veille.
- b. Lorsque l'heure passe de 11 h 59 à 12 h 00, l'indicateur AM/PM change automatiquement.

CUISSON AU FOUR À MICRO-ONDES

- 1) Appuyez sur la touche « TEMPS DE CUISSON/+30 SEC » pour choisir la cuisson par micro-ondes. « 0:00 » clignote pour vous rappeler de saisir la durée de cuisson.
- 2) Appuyez sur les touches numériques pour choisir la durée de cuisson souhaitée. Par exemple, pour régler la durée de cuisson à 10 minutes : Appuyez séquentiellement sur les touches « 1,0,0,0 ». La durée de cuisson maximale est de 99 minutes et 99 secondes.
- 3) En même temps, vous pouvez choisir la puissance de cuisson en appuyant sur la touche « NIVEAU DE PUISSANCE ».
- 4) Appuyez sur les touches numériques pour choisir la puissance.
- 5) Appuyez sur « MARCHE/PAUSE » pour démarrer la cuisson. Le compte à rebours de la durée de cuisson commence.

Remarque :

- 1) Si vous avez choisi le niveau de puissance 100 %, vous pouvez sauter les étapes « 3 » et « 4 » et passer directement l'étape « 5 ».
- 2) Une fois la cuisson terminée, cinq bips se font entendre.
- 3) Pendant la cuisson, appuyez sur la touche « Durée de cuisson/+30 sec » pour ajouter 30 secondes. La durée de cuisson MAXIMALE est de 99 minutes et 99 secondes.

Dix niveaux de puissance sont disponibles:

Niveau	Puissance	Affichage
10	100%	PL10
9	90%	PL9
8	80%	PL8
7	70%	PL7
6	60%	PL6
5	50%	PL5
4	40%	PL4
3	30%	PL3
2	20%	PL2
1	10%	PL1

CUISSON À PLUSIEURS ÉTAPES

Deux étapes au plus peuvent être saisies.

Par exemple : pour faire cuire les aliments à une puissance de 100 % pendant 10 minutes puis à une puissance de 80 % pendant 15 minutes, faites ce qui suit :

- 1) Appuyez sur la touche « TEMPS DE CUISSON/+30 SEC » pour choisir la cuisson par micro-ondes.
- 2) Appuyez sur les touches « 1 », « 0 », « 0 », « 0 » pour saisir la durée de cuisson;
- 3) Appuyez sur « NIVEAU DE PUISSANCE » pour choisir la puissance du four micro-ondes;
- 4) Appuyez sur la touche « 10 » pour choisir 100 % comme niveau de puissance;
- 5) Appuyez sur la touche « TEMPS DE CUISSON/+30 SEC » pour choisir la cuisson par micro-ondes.
- 6) Appuyez sur les touches « 1 », « 5 », « 0 », « 0 » pour saisir la durée de cuisson;
- 7) Appuyez sur « NIVEAU DE PUISSANCE » pour choisir la puissance du four micro-ondes;
- 8) Appuyez sur la touche « 8 » pour choisir 80 % comme niveau de puissance;
- 9) Appuyez sur « MARCHE/PAUSE » pour démarrer la cuisson.

Remarque :

- a. Vous ne pouvez pas programmer plus de deux étapes de cuisson par micro-ondes. Le programme de décongélation et le menu automatique ne peuvent pas être utilisés à ce point-ci.
- b. À la fin de la première étape, la sonnerie émet un bip et la deuxième étape de cuisson commence.

CUISSON EXPRESSE

- a) Appuyez sur les chiffres de 1 à 6 pour débiter une cuisson au micro-ondes à puissance maximale pendant une à six minutes.
- b) Appuyez sur « AJOUTER 30 SEC » pour débiter la cuisson au micro-ondes à puissance maximale pendant 30 secondes.
- c) Pendant la cuisson, 30 secondes peuvent être ajoutées au temps de cuisson en appuyant sur « AJOUTER 30 SEC ». La durée de cuisson maximale est de 99 minutes et 99 secondes.

POIDS À DÉCONGELER

A. Décongélation selon le poids

- 1) Appuyez sur « DÉCONGÉLATION AUTOMATIQUE/DURÉE » pour choisir la fonction de décongélation selon le poids. « 0,0 » et l'indicateur « lb » se mettront à clignoter.
- 2) Appuyez sur les touches numériques de 0 à 9 pour saisir le poids pour la décongélation. Par exemple : si les aliments pèsent 1,2 lb, appuyez sur les touches 1 et 2 pour saisir le poids. Le poids maximal est de 6 lb. Si le poids saisi dépasse 6 lb, l'appareil retournera en mode veille.
- 3) Appuyez sur la touche « MARCHE/PAUSE » pour commencer la décongélation. L'indicateur « lb » s'éteindra.

MAIS SOUFFLÉ

- a) Appuyez à plusieurs reprises sur la touche « MAÏS SOUFFLÉ » jusqu'à ce que la valeur souhaitée apparaisse sur l'afficheur.
RÉGLAGE « 1 » : environ 1,75 onces
RÉGLAGE « 2 » : environ 3 onces
RÉGLAGE « 3 » : environ 3,5 onces
Par exemple : appuyez trois reprises sur la touche « MAÏS SOUFFLÉ » et « 3,5 » apparaîtra sur l'afficheur.
- b) Appuyez sur « MARCHE/PAUSE » pour démarrer la cuisson.

BOISSON

- a) Appuyez plusieurs reprises sur la touche « BOISSON » jusqu'à ce que la valeur souhaitée apparaisse sur l'afficheur.
RÉGLAGE « 1 » : environ 8,8 onces
RÉGLAGE « 2 » : environ 17,6 onces
RÉGLAGE « 3 » : environ 26,4 onces
Par exemple : appuyez une fois sur la touche « BOISSON » et « 1 » apparaîtra sur l'afficheur.
- b) Appuyez sur « MARCHE/PAUSE » pour démarrer la cuisson.

MENU DE POMMES DE TERRE AU FOUR

- 1) Appuyez sur « POMME DE TERRE AU FOUR » à plusieurs reprises
PROGRAMMER « 1 » : pour environ 7,1 onces
PROGRAMMER « 2 » : pour environ 14,2 onces
PROGRAMMER « 3 » : pour environ 21,3 onces
Par exemple, appuyez sur « POMME DE TERRE AU FOUR » une fois; puis un « 1 » apparaît dans la lumière DEL.
- 2) Appuyez sur « MARCHE/PAUSE » pour démarrer la cuisson jusqu'à ce que la valeur souhaitée apparaisse sur l'afficheur.

RÉCHAUFFER

- 1) Appuyez sur « RÉCHAUFFER » plusieurs fois, jusqu'à
Par exemple, appuyez sur « RÉCHAUFFER » une fois, appuyez sur « RÉCHAUFFER » deux fois, « 16 onces » appuyez sur « RÉCHAUFFER » trois fois, « 24 onces »
- 2) Appuyez sur « MARCHE/PAUSE » pour démarrer la cuisson.

FONCTION HOTTE

- 1) Lorsque le ventilateur est éteint, appuyez une fois sur « VENTILATION (INTENSE/FAIBLE/ARRÊT) » pour mettre en marche la ventilation à haute vitesse.
- 2) Appuyez à deux reprises sur « VENTILATION (INTENSE/FAIBLE/ARRÊT) » pour mettre en marche la ventilation à basse vitesse.
- 3) Appuyez à trois reprises sur « VENTILATION (INTENSE/FAIBLE/ARRÊT) » pour arrêter la ventilation.

LAMPE DU FOUR

- 1) Appuyez une fois sur la touche « LUMIÈRE » pour allumer la lampe;
- 2) Appuyez sur la touche « LUMIÈRE » deux reprises pour éteindre la lampe.

FONCTION MINUTERIE

- 1) Appuyez sur la touche « MINUTERIE »; l'indicateur de la minuterie s'allume.
- 2) Appuyez sur les touches numériques pour choisir la durée de cuisson souhaitée. La durée de cuisson maximale est de 99 minutes et 99 secondes.
- 3) Appuyez sur la touche « MINUTERIE » et le compte rebours commence. Lorsque la durée de cuisson est écoulée, la sonnerie émet un bip pour indiquer que la cuisson est terminée.

Remarque :

Pendant la cuisson avec minuterie, la lampe du four et celle de la hotte peuvent être allumées. Aucune autre fonction ne peut être utilisée.

FONCTION DE VERROUILLAGE POUR LES ENFANTS

Verrou : En mode veille, appuyez sur la touche « ARRÊT/ANNULER » et tenez-la enfoncée pendant 3 secondes; la sonnerie émettra deux bips pour indiquer que le verrou pour les enfants est activé.

Désactivation du verrou : En mode verrouillé, appuyez sur la touche « ARRÊT/ANNULER » et tenez-la enfoncée pendant 3 secondes; la sonnerie émettra deux bips pour indiquer que le verrou est désactivé.

FONCTION D'INTERROGATION

- 1) Pendant la cuisson, appuyez sur la touche « NIVEAU DE PUISSANCE » pour vérifier le niveau de puissance.
- 2) Pendant la cuisson, appuyez sur la touche « HORLOGE » pour vérifier l'heure.

DÉCONGÉLATION SELON LE TEMPS

- 1) Appuyez à deux reprises sur « DÉCONGÉLATION AUTOMATIQUE/DURÉE » pour choisir la fonction de décongélation selon le temps. « 0:00 » clignote et l'indicateur de décongélation s'allume.
- 2) Appuyez sur les touches numériques de 0 à 9 pour saisir la durée de décongélation. La durée maximale pouvant être saisie est de 99 minutes et 99 secondes.
- 3) Appuyez sur la touche « MARCHE/PAUSE » pour commencer la décongélation.

Remarque : Une fois la moitié de la durée de décongélation écoulée, la sonnerie émettra deux bips pour vous rappeler de retourner les aliments.

SOINS ET ENTRETIEN

- 1) Éteignez le four et retirez la fiche de courant de la prise murale avant de nettoyer celui-ci.
- 2) Conservez l'intérieur du four propre. Lorsque la nourriture éclabousse ou coule sur les parois du four, essuyez avec un chiffon humide. On peut utiliser un détergent doux si le four est très sale. Évitez d'utiliser un vaporisateur ou tout autre type de nettoyant agressif car ils pourraient tacher, laisser des traces ou ternir la surface de la porte.
- 3) Les surfaces extérieures doivent être nettoyées à l'aide d'un chiffon humide. Pour éviter d'endommager les pièces à l'intérieur du four, ne laissez pas de l'eau pénétrer dans les ouvertures de ventilation.
- 4) Essuyez les deux faces du hublot à l'aide d'un chiffon humide pour éliminer tout liquide déversé ou toute éclaboussure.
- 5) Évitez d'asperger d'eau le panneau de commande. Nettoyez avec un chiffon humide et doux. Lorsque vous nettoyez le panneau de commande, laissez la porte ouverte pour éviter la mise en marche accidentelle du four.
- 6) Lorsque la vapeur s'accumule à l'intérieur de la porte du four ou sur le pourtour extérieur, essuyez celle-ci à l'aide d'un chiffon doux. Ceci peut arriver lorsque le four à micro-ondes fonctionne dans un environnement très humide; ceci est normal.
- 7) Il est à l'occasion nécessaire de retirer le plateau rotatif en verre pour le nettoyer. Nettoyez le plateau dans de l'eau tiède et savonneuse ou dans un lave-vaisselle.
- 8) L'anneau qui assure la rotation du plateau et la partie inférieure du four devraient être nettoyés régulièrement afin d'éviter qu'ils fassent trop de bruit. Nettoyez simplement la surface inférieure du four avec un détergent doux. On peut laver l'anneau à l'eau tiède savonneuse ou dans un lave-vaisselle. Veillez à remettre l'anneau à sa place lorsque vous le retirez du four pour le nettoyer.
- 9) Pour éliminer les odeurs de votre four, mélangez une tasse d'eau avec le jus et l'écorce d'un citron dans un bol profond et placez ce bol pendant 5 minutes dans le four. Essuyez-le à fond et séchez à l'aide d'un chiffon doux.
- 10) S'il vous faut remplacer l'ampoule du four, consultez un distributeur qui effectuera la tâche.
- 11) Lorsque vous nettoyez les surfaces de la porte et du four qui sont en contact lorsque vous fermez la porte, utilisez du savon ou du détergent doux, non abrasif et appliquez-le à l'aide d'une éponge ou d'un chiffon doux.

DÉPANNAGE

De temps en temps, un problème mineur peut se présenter qui ne nécessite pas d'appel de service. Utilisez ce guide pour trouver des solutions. Si l'appareil ne fonctionne toujours pas, appelez un atelier de réparation autorisé ou composez le numéro de téléphone sans frais Danby **1-800-263-2629** pour de plus amples renseignements.

PROBLEME	CAUSE PROBABLE	SOLUTION
Le four ne se met pas en marche	<ul style="list-style-type: none"> a. Le cordon électrique du four n'est pas branché. b. La porte est ouverte. c. La mauvaise opération est choisie. 	<ul style="list-style-type: none"> a. Branchez le four dans la prise. b. Fermez la porte et essayez de nouveau. c. Vérifiez les instructions.
Arcs électriques ou étincelles	<ul style="list-style-type: none"> a. Des matériaux ne pouvant pas être utilisés dans un four à micro-ondes ont été utilisés. b. Le four a été utilisé à vide. c. Des aliments renversés sont présents dans la cavité. 	<ul style="list-style-type: none"> a. Utilisez un plat allant au four à micro-ondes seulement. b. Ne faites pas fonctionner le four c. Nettoyez la cavité au moyen d'un chiffon humide.
Cuisson inégale des aliments	<ul style="list-style-type: none"> a. Des matériaux ne pouvant pas être utilisés dans un four à micro-ondes ont été utilisés. b. Les aliments ne sont pas complètement décongelés. c. La durée de cuisson ou le niveau de puissance n'est pas approprié. d. Les aliments n'ont pas été retournés ou remués. 	<ul style="list-style-type: none"> a. Utilisez un plat allant au four à micro-ondes seulement. b. Faites complètement décongeler les aliments. c. Utilisez la bonne durée de cuisson et le bon niveau de puissance. d. Retournez ou remuez les aliments.
Aliments trop cuits	<ul style="list-style-type: none"> a. La durée de cuisson ou le niveau de puissance n'est pas approprié. 	<ul style="list-style-type: none"> a. Utilisez la bonne durée de cuisson et le bon niveau de puissance.
Aliments insuffisamment cuits	<ul style="list-style-type: none"> a. Des matériaux ne pouvant pas être utilisés dans un four à micro-ondes ont été utilisés. b. Les aliments ne sont pas complètement décongelés. c. Les événements du four sont bloqués. d. La durée de cuisson ou le niveau de puissance n'est pas approprié. 	<ul style="list-style-type: none"> a. Utilisez un plat allant au four à micro-ondes seulement. b. Faites complètement décongeler les aliments. c. Assurez-vous que les événements du four ne sont pas bloqués. d. Utilisez la bonne durée de cuisson et le bon niveau de puissance.
Décongélation inadéquate	<ul style="list-style-type: none"> a. Des matériaux ne pouvant pas être utilisés dans un four à micro-ondes ont été utilisés. b. La durée de cuisson ou le niveau de puissance n'est pas approprié. c. Les aliments n'ont pas été retournés ou remués. 	<ul style="list-style-type: none"> a. Utilisez un plat allant au four à micro-ondes seulement. b. Utilisez la bonne durée de cuisson et le bon niveau de puissance. c. Retournez ou remuez les aliments.



GARANTIE LIMITÉE SUR APPAREIL ÉLECTROMÉNAGER

Cet appareil de qualité est garanti exempt de tout vice de matière première et de fabrication, s'il est utilisé dans les conditions normales recommandées par le fabricant.

Cette garantie n'est offerte qu'à l'acheteur initial de l'appareil vendu par Danby Products Limited (Canada) ou Danby Products Inc. (E.- U. d'A) (ci-après "Danby") ou par l'un des ses distributeurs agréés et elle ne peut être transférée.

CONDITIONS

Les pièces en plastique sont garanties pour trente (30) jours seulement à partir de la date de l'achat, sans aucune prolongation prévue.

Première 12 mois Pendant les douze (12) mois, toutes pièces fonctionnelles de ce produit s'avèrent défectueuses, seront réparées ou remplacées, selon le choix du garant, sans frais à l'acheteur INITIAL.

Pour bénéficiaire du Service Le client sera responsable pour le transport et tous les frais d'expédition de tout appareil exigeant le service au dépôt de service autorisé le plus proche. S'adresser au détaillant qui a vendu l'appareil, ou à la station technique agréée de service la plus proche, où les réparations doivent être effectuées par un technicien qualifié. Si les réparations sont effectuées par quiconque autre que la station de service agréée ou à des fins commerciales, toutes les obligations de Danby en vertu de cette garantie seront annulées.

Cette garantie indique en aucun temps la responsabilité de Danby de l'avarie ou dommage de la vin ou autre contenu, soit par les vices de l'appareil, ou soit par l'utilisation convenable ou inexacte.

EXCLUSIONS

En vertu de la présente, il n'existe aucune autre garantie, condition ou représentation, qu'elle soit exprimée ou tacite, de façon manifeste ou intentionnelle, par Danby ou ses distributeurs agréés. De même, sont exclues toutes les autres garanties, conditions ou représentations, y compris les garanties, conditions ou représentations en vertu de toute loi régissant la vente de produits ou de toute autre législation ou règlement semblables.

En vertu de la présente, Danby ne peut être tenue responsable en cas de blessures corporelles ou des dégâts matériels, y compris à l'appareil, quelle qu'en soit les causes. Danby ne peut pas être tenue responsable des dommages indirects dus au fonctionnement défectueux de l'appareil. En achetant l'appareil, l'acheteur accepte de mettre à couvert et de dégager Danby de toute responsabilité en cas de réclamation pour toute blessure corporelle ou tout dégât matériel causé par cet appareil.

CONDITIONS GÉNÉRALES

La garantie ou assurance ci-dessus ne s'applique pas si les dégâts ou réparations sont dus aux cas suivants:

- 1) Panne de courant.
- 2) Dommages subis pendant le transport ou le déplacement de l'appareil.
- 3) Alimentation électrique incorrecte (tension faible, câblage défectueux, fusibles incorrects).
- 4) Accident, modification, emploi abusif ou incorrect de l'appareil tel qu'une circulation d'air inadéquate dans la pièce ou des conditions de fonctionnement anormales (température extrêmement élevée ou basse).
- 5) Utilisation dans un but commercial ou industriel (à savoir, si l'appareil n'est pas installé dans un domicile résidentiel).
- 6) Incendie, dommages causés par l'eau, vol, guerre, émeute, hostilités, cas de force majeure (ouragan, inondation, etc.).
- 7) Visites d'un technicien pour expliquer le fonctionnement de l'appareil au propriétaire.
- 8) Installation inappropriée (par exemple, encastrement d'un appareil autoportant, ou utilisation extérieure d'un appareil non conçu à cet effet).

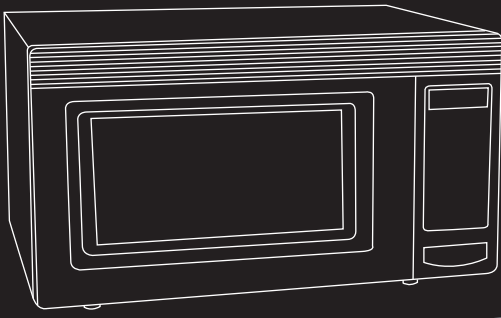
Une preuve d'achat doit être présentée pour toute demande de réparation sous garantie. Prière de garder le reçu. Pour faire honorer la garantie, présenter ce document à la station technique agréée ou s'adresser à:

Service sous-garantie
En Atelier

Danby Products Limited
PO Box 1778, Guelph, Ontario, Canada N1H 6Z9
Telephone: (519) 837-0920 FAX: (519) 837-0449

1-800-263-2629

Danby Products Inc.
PO Box 669, Findlay, Ohio, U.S.A. 45840
Telephone: (419) 425-8627 FAX: (419) 425-8629



OVER THE RANGE MICROWAVE

Model • Modèle
DOM16A1WDB / DOM16A1SDB

Microwave Oven

The model number can be found on the serial plate located on the back panel of the unit.

All repair parts are available for purchase or special order when you visit your nearest service depot. To request service and/or the location of the service depot nearest you, call the TOLL FREE number.

When requesting service or ordering parts, always provide the following information:

- Product Type
- Model Number
- Part Description

Four à micro-ondes

Le numéro du modèle se trouve sur la plaque de série, sur le panneau arrière de l'appareil.

Toutes les pièces de réparation sont disponibles à l'achat ou sur commande spéciale lorsque vous visiterez votre atelier de service. Afin de demander une réparation ou de connaître l'atelier de réparation le plus près de chez vous, appelez au NUMÉRO SANS FRAIS.

Afin de demander une réparation ou de commander des pièces, soyez toujours prêt à fournir les renseignements suivants :

- Type de produit
- Numéro de modèle
- Description de la pièce

