



**OWNER'S MANUAL
GUIDE DU PROPRIÉTAIRE
MANUAL DEL USARIO**

DDW497W

CAUTION :

Read and Follow All Safety Rules and Operating Instructions Before First Use of This Product.

ATTENTION :

Avant de faire fonctionner cette machine, lisez et suivez toutes les consignes de sécurité de ce guide en premier lieu.

ATENCIÓN:

Lea y Siga Todas las Indicaciones de Seguridad y de Operación Antes de Utilizar Este Producto.

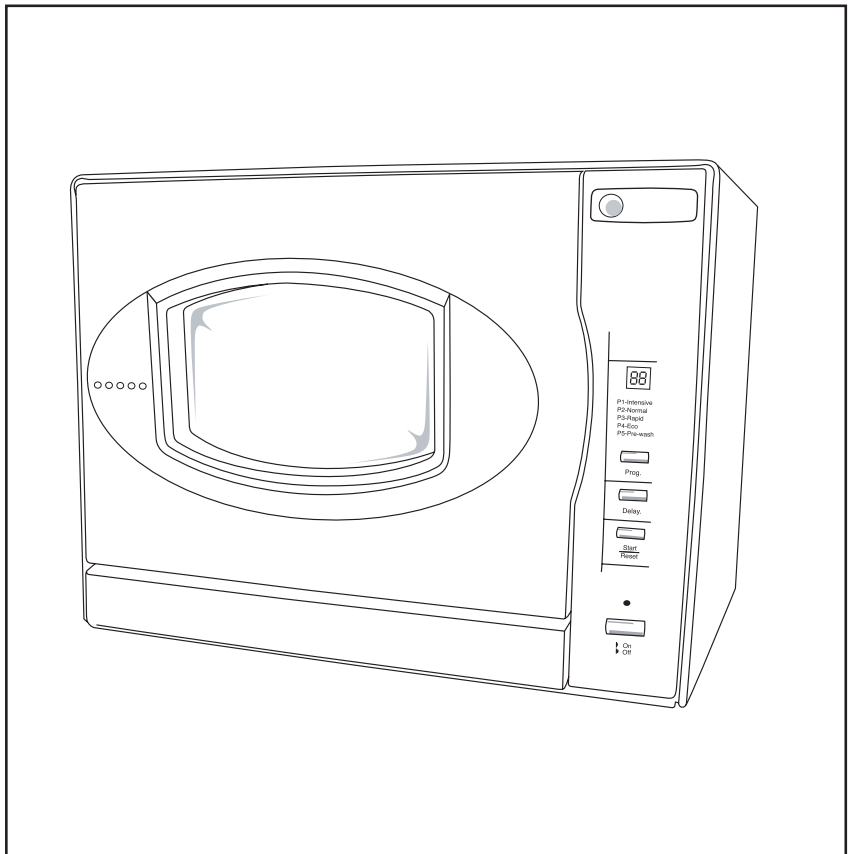


Table of Contents 1

Table des matières 10

Índice 19

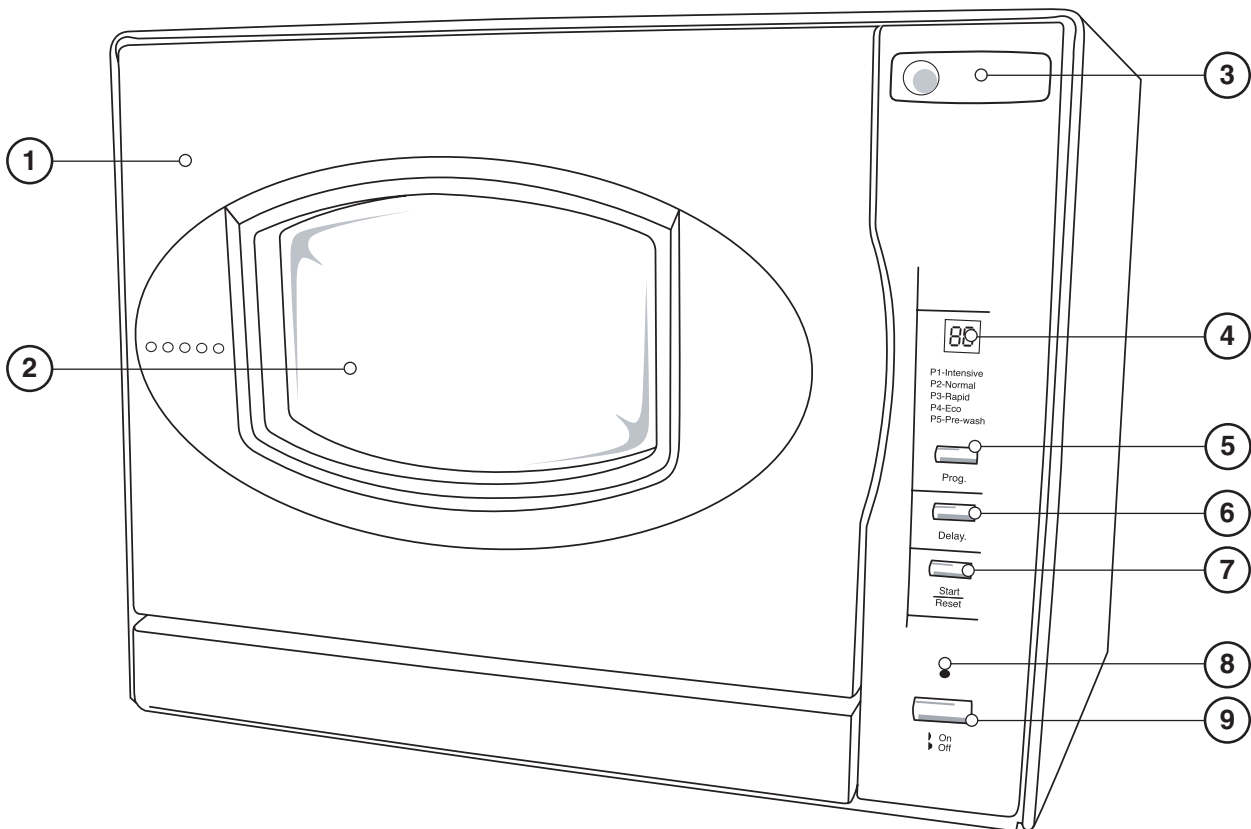


Table of Contents

Unit Parts Identification1 Important Safety Information3 Installation Instructions4 Water Pressure4 Connecting your Dishwasher4 Disconnecting your Dishwasher5 Loading your Dishwasher5 Preparing your Dishes for Washing5 Using the Right Detergent5 How Much Detergent you Should Use6 Using a Rinse Agent6	The Pre-wash Program6 Using Intensive Wash6 Using Economy Wash6 Operating Instructions7 Program Summary/Selection7 Common Dishwasher Problems & Solutions8 Warranty9
---	--

Inspect the unit for damage, ensure all parts and accessories are included and read these instructions thoroughly before attempting operation.

Unit Parts Identification

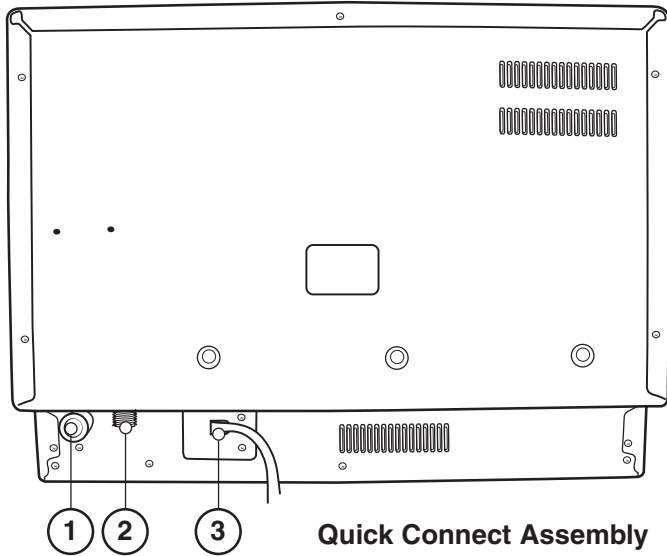


Part Identification

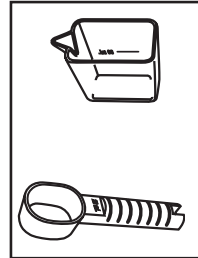
- | | | |
|---|---|---|
| 1. Door
2. Door window
3. Door open button
4. Display window | 5. Program button
6. <u>Delay button</u> : Pressing this button delays the start of a wash cycle by up to 24 hours. Each press delays the start by one hour. | 7. Start/Reset button
8. Power indicator
9. On / Off button |
|---|---|---|

Unit Parts Identification

Rear of Dishwasher



Detergent Dispensers



Rear of Dishwasher:

1. Inlet Port
2. Drain Port
3. Power Cord

Detergent Dispensers:

- Top:** Liquid measurer
Bottom: Powder measurer

Quick Connect Assembly Inlet Hose:

1. Inlet port connection
2. Quick connect connection

Drain Hose:

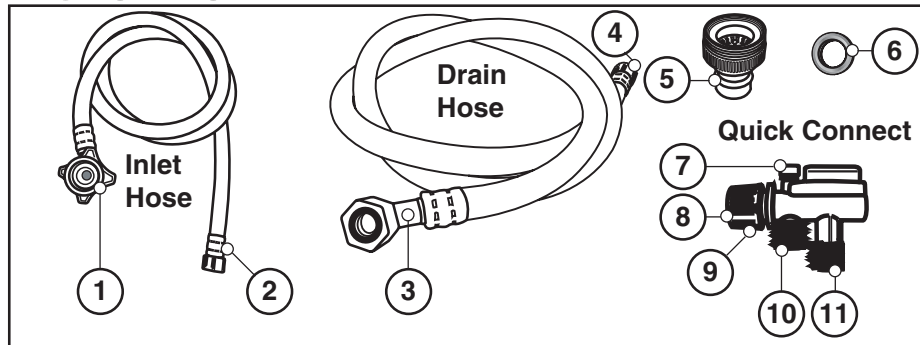
3. Drain port connection
4. Quick connect connection

Faucet Adapter:

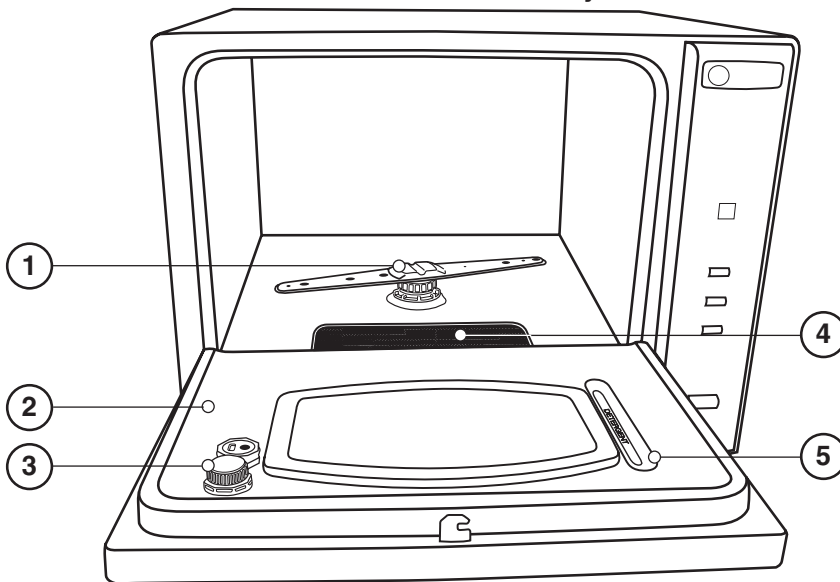
5. Faucet Adapter
6. Faucet washer

Quick Connect:

7. Pressure relief valve
8. Faucet adapter connection
9. Locking collar
10. Inlet hose connection
11. Drain hose connection



Dishwasher Cavity



Dishwasher Cavity:

1. Spray Arm Assembly
2. Inner door panel
3. Rinse agent dispenser
4. Filter screen
5. Detergent fossa

IMPORTANT SAFETY INFORMATION



WARNING



When loading your dishwasher, follow basic safety precautions, including the following;

- Read all instructions before using the dishwasher.
- Use the dishwasher only for its intended function (normal, household use only).
- Use only detergents or wetting agents recommended for use in a dishwasher; do not use them for hand-washing, and keep them out of the reach of children.

When loading items to be washed:

- Locate sharp items (e.g. forks or knives) so that they are not likely to damage the door seal.
- Load sharp knives with the handles up to reduce the risk of cut-type injuries.
- Do not wash plastic items unless they are marked “dishwasher safe” or the equivalent. For plastic items not so marked, check the manufacturer’s recommendations.
- Do not touch the heating element (located under the filter) during or immediately after use.
- Do not operate the dishwasher unless all enclosure panels are properly in place.
- Do not tamper with controls.
- Do not abuse, sit on or stand on the door or dish-rack of the dishwasher.
- To reduce the risk of injury, do not allow children to operate (or play in or on) the dishwasher.
- Do not allow children to play around the dishwasher when opening or closing the dishwasher door.
- Under certain conditions, hydrogen gas may be produced in a hot-water system that has not been used in two weeks or more. Hydrogen gas is explosive. If the hot-water system has not been used for such a period, before using the dishwasher, turn on all hot water faucets and let the water flow from each for several minutes (this will release any accumulated hydrogen gas). As hydrogen gas is flammable, do not smoke or use an open flame during this time.
- Remove the door to the washing compartment when removing an old dishwasher from service or discarding it.
- Do not spray water on the appliance (it may cause electric shock or failure of electrical parts).



DANGER



Dishwasher detergent is a strong alkaline and can be extremely dangerous if swallowed; avoid contact with skin and eyes and keep children away from the dishwasher when the door is open. Check that the detergent receptacle is empty at the end of each wash cycle.



WARNING



Instructions pertaining to the risk of fire, electric shock or injury to persons.

Electrical Instructions:

An electrical supply of 120V AC only, 60 Hz is required. For your personal safety, the appliance must be grounded. This appliance is equipped with a power cord having a 3-prong grounding plug. To minimize possible shock hazards it must be plugged into a matching 3-prong (grounding type) electrical outlet. If the power cord is damaged, it must be replaced by the manufacturer or its service agent, or a similarly qualified person in order to reduce the risk of a hazard.

Grounding Instructions:

This appliance must be grounded. In the event of a malfunction or breakdown, grounding will reduce the risk of electric shock by providing a path of least resistance for the electric current. This appliance is equipped with a cord having an equipment-grounding conductor and a grounding plug. The plug must be plugged into an appropriate outlet that is installed and grounded in accordance with all local codes and ordinances.

SAVE THESE INSTRUCTIONS!

Installation Instructions



WARNING



A hose that attaches to a sink spray can burst if it is installed on the same water line as the dishwasher. If your sink has one, it is recommended that the hose be disconnected and the hole plugged.

Remove All Packaging Materials Carefully.

If your existing faucet adapter is not compatible with the "quick connect" hose assembly supplied;

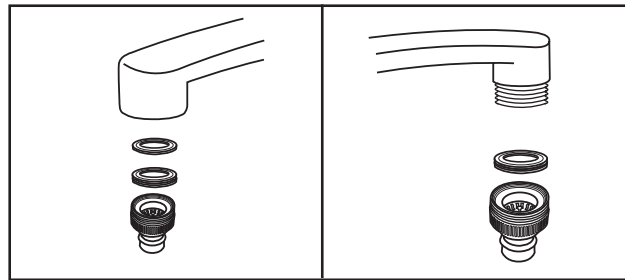
- Connect the faucet adapter (included with dishwasher) to your faucet.
- If your faucet is inclusive of a 'male' type (threaded) connection, use only the standard rubber washer (0.2"/5mm thick) supplied inside the adapter. Remove the second rubber washer.
- If your faucet is inclusive of a 'female' type (threaded) connection, both rubber washers must be installed inside the faucet adapter.
- The minimum height clearance required to install your dishwasher on a countertop surface with overhead cupboards is 45cm (17.7").
- Make sure there is an electrical supply (outlet) within reach of the electrical power supply cord (195 cm / 6.3 ft).
- Make sure the water supply/faucet connection is within reach of the inlet & drain hose assembly (i.e., 58 cm / 22.8").
- The dishwasher must be installed on a solid, level surface.

Water Pressure

For best operating results, incoming water pressure should be between 15 and 20 pounds per square inch (psi).

For the Best Results:

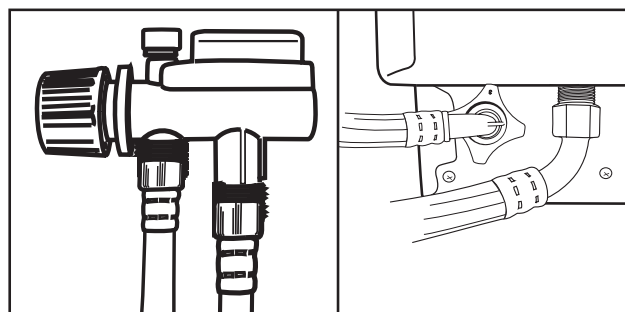
Your dishwasher cleans by spraying a mixture of hot clean water and detergent (under pressure) against the soiled surfaces of dishes. The water is pumped through a rotating spray arm, drained through a filter (removing food and soiled particles) and pumped back through the spray arm. Soiled water is pumped out and replaced with clean water at the end of each cycle, (the number of times depends on the wash program being used). For best cleaning results, the water temperature must be at least 55°C (130°F). To prevent damage to the dishwasher, the temperature of the incoming water supply should not exceed 65°C (149°F).



Connecting your Dishwasher

Your dishwasher comes equipped with a 'quick connect' assembly (includes inlet and drain hose). The faucet adapter must be installed on the faucet before you can connect the dishwasher. This adapter is included inside your dishwasher. The faucet adapter is compatible with faucets inclusive of either male (outside) or female (inside) threaded faucet connections.

- Screw the faucet adapter onto (or into) the faucet tap. Check for leaks (use Teflon tape to eliminate if necessary).
- Connect the six-sided connection of the drain hose to the drain port connection on the back of the dishwasher cabinet. Do not over-tighten (to avoid damage to threads).
- Connect the star-shaped connection of the inlet hose to the inlet port on the back of the dishwasher cabinet. Do not over-tighten (to avoid damage to threads).
- Connect the circular connection of the drain hose onto the longer (bottom) male connection on the quick connect.
- Connect the circular connection of the inlet hose onto the shorter (top) male connection on the quick connect.
- Attach the quick connect onto the faucet adapter, by pulling down the outer locking collar on the quick connect, while pushing the quick connect upward onto the faucet adapter.
- When the quick connect snaps onto the faucet adapter, release the locking collar. Verify the connection is secure.
- Slowly open the hot water line and check for any sign of water leaks at all hose connections. If leaks are located, immediately close the water supply and repair the hose connections.





IMPORTANT



- Once you open the water supply line, (even if it is closed immediately thereafter), the inlet hose will be pressurized.
- To relieve water pressure from inside the inlet hose, (make sure the water line (faucet) is closed): press and hold the red pressure relief button on the quick connect until the flow of water stops.



WARNING



FAILURE TO RELIEVE WATER PRESSURE, BEFORE DISCONNECTING THE QUICK-CONNECT FROM THE FAUCET, WILL RESULT IN BACK-PRESSURE OVER-SPRAY. THE TEMPERATURE OF INCOMING WATER CAN BE VERY HOT, AND BACK-PRESSURE OVER-SPRAY COULD CAUSE SEVERE BURNS AND/OR SCALDING.



DANGER



DO NOT LET CHILDREN DISCONNECT THE DISHWASHER; CLOSE SUPERVISION OF CHILDREN IS ALWAYS IMPORTANT AROUND APPLIANCES.

NOTE: Hard water conditions will adversely affect the washing performance of your dishwasher. Hard water conditions will also contribute to 'lime' (white film substance) deposits and/or 'scaling' on the stainless steel surface of the dishwasher tub and heater element, located in the sump underneath the removable filter screen. To assist in minimizing these conditions, it is recommended to periodically operate/rinse the inside of the dishwasher (empty) using 1 cup of white vinegar at least once a week.

Disconnecting your Dishwasher

- Close the hot water supply at the faucet.
- Disconnect the power supply cord.
- Remember to release the water pressure inside the inlet hose. Press and hold the red pressure relief button on the quick-connect until the flow of water stops.
- Disconnect the quick-connect hose assembly by pulling down on the outer locking collar, (thus releasing the quick-connect from the faucet adapter).

Loading your Dishwasher

The dishwasher is designed to receive a standard '4-piece' plate setting, consisting of the following:

- 4 dinner plates
- 4 soup plates
- 4 dessert dishes
- 4 saucers
- 4 cups
- 4 tea spoons
- 1 oval platter
- 1 small serving
- 1 dish
- 4 glasses
- 4 soup spoons
- 4 forks
- 4 knives
- 4 dessert spoons
- 2 serving spoons
- 1 serving fork
- 1 gravy ladle

NOTE: For ease of loading/unloading large size dinner plates from the dishrack, it may be necessary to temporarily remove the silverware basket. When loading/unloading is complete, return the silverware basket to its original position.

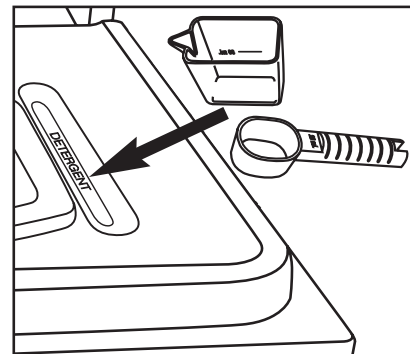
Preparing your Dishes for Washing

- Scrape off all solid food particles from dishes.
- Remove excessive quantities of oil or grease.
- Empty any liquids from glasses and cups.
- All dishes should be thoroughly rinsed before being placed inside the dishwasher.

Note: Dishes with dried on foods are more difficult to wash and may not come clean in a normal wash cycle.

Using the Right Detergent

Use only detergent specifically made for use in dishwashers (other types will cause over-sudsing). If your detergent is old and/or lumpy, throw it away, as old detergent loses its washing power and lumpy detergent won't dissolve.



How Much Detergent You Should Use

That depends if your water is 'hard' or 'soft':

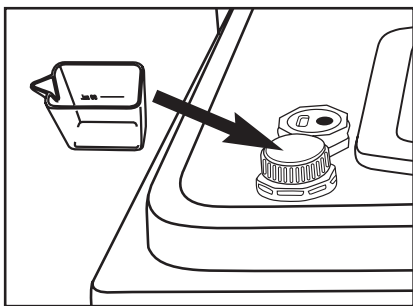
Hard water requires more detergent to get dishes clean; soft water requires less.

- The recessed detergent area located on the inside door panel will hold approximately 20 grams of detergent.

Using a Rinse Agent

You can help prevent unsightly spots on dishes and glassware and reduce drying time by using a rinse agent. A rinse agent is specially formulated to rinse away food and detergent residues that can be left behind on your dishes. Used regularly, a rinse agent will automatically provide you with cleaner dishes every time you wash.

- To fill the rinse agent dispenser: unscrew the dispenser cap located on the inner door. Add the rinse agent slowly into the container until it just reaches the bottom of the filling cap inside the dispenser opening. Replace the cap. The dispenser automatically releases the rinse agent into the final rinse water at the end of the wash cycle. The dispenser holds approximately 125 ml (4.2 fl. oz.) of rinse agent.



The Pre-wash Program (P5)

The Pre-wash is a convenience program that allows dishes to be rinsed if you don't have a full load ready to be washed (preventing foods from becoming dried or caked on to dish surfaces). It is not necessary to add detergent to the dishwasher during the Pre-wash cycle; however, due to the short duration of the Pre-wash cycle (6 minutes only), make sure the incoming water supply is hot. Open the hot water faucet and run till hot before connecting the dishwasher.

! IMPORTANT !

Your dishwasher is not a "garburator"; clean off large particles of food sediments before placing dishes in the dishwasher.

Using Intensive Wash (P1)

The Intensive wash feature gives you the option of washing/drying dishes at very high water temperatures. When activated, the intensive wash feature energizes a heating element that will raise and maintain the internal water temperature of the dishwasher at 69°C (156.2°F).

! CAUTION !

Water temperatures this high can cause severe burns/scalding; therefore, always exercise extreme care when opening and/or entering the dishwasher during the Intensive, Economy and Normal wash cycles, especially during their respective rinse cycles.

To activate this feature, push the program button until "P1" (intensive wash) appears in the display window.

- Push the start button and the intensive wash program activates ("P1" remains in the display window, and flashes when complete).

! IMPORTANT !

For the drain system to operate properly the highest distance between the faucet quick connect and the base of the dishwasher should not exceed 15 cm (6 inches).

Using Economy Wash (P4)

The economy program gives you the option of washing dishes at normal incoming water tank temperature, (usually between 54.4°~ 60°C / 130°~ 140°F). When activated, the economy program 'de-energizes' (bypasses) the dishwasher's heating element. To activate the economy program:

- Push the program button on the control panel until "P4" appears in the display window.
- Push the Start/Reset button and the economy feature activates ("P4" remains in the display window, and flashes when complete).

! IMPORTANT !

Drying time for dishes will be longer after using the economy program. Dishes are dried by a 'convection' method only. To speed-up the drying time, it is suggested that the dishwasher door be left partially open after program completion. This will allow humidity from within the dishwasher to escape. Push the door open button, and the door will pop open to a pre-set convection dry position.

To operate the dishwasher;

1. Attach the quick connect hose assembly to the faucet.
2. Push the door release button to open the door.
3. Check to make sure the filter is securely in its position.
4. Place dishes on the dish-rack and cutlery inside the cutlery basket.
5. Check to make sure the spray-arm can rotate freely by gently spinning it clockwise.
6. Fill the detergent fossa, located in the recessed area on the inner door panel (up to 12 grams).

NOTE: If using the Pre-wash cycle only, it is not necessary to add any detergent.

7. Firmly close the door.
8. Open the hot water line.
9. Push the power on/off button inward.
Power button pushed in = on
Power button pushed out = off
The LED indicator (located just above the power button) will illuminate, thus confirming that the dishwasher is receiving power.
10. Press the program button until the desired program code appears in the display window.
The program codes are:
P1, for Intensive wash
P2, for Normal wash
P3, for Rapid wash
P4, for Eco wash
P5, for Pre-wash
11. Press the Start/Reset button to begin the selected washing program. The display window will flash the program code throughout the cycle. At the end of the cycle the dishwasher will stop and sound a beep. The power indicator light remains on unless the power is turned off (the power on/off button is pushed out). You can select another program during operation by pressing the Start/Reset button, then pressing the program key (until the desired program code appears in the display window), and finally by pressing the Start/Reset button again to confirm program choice. The dishwasher will restart and begin the selected wash operation.

Note: For safety reasons, the dishwasher is designed to stop in the event that the door is opened during a wash cycle.

IMPORTANT: Once washing is complete, press the door open button and leave the dishwasher for about fifteen minutes. This allows the dishes to cool off, as they may be too hot to touch immediately after washing.

12. After unloading the dishwasher, remove the metallic filter screen (located on the bottom of the dishwasher tub), and wash off any bits of food that may be caught in it, then return the filter to its proper position.

NOTE: At the beginning of each cycle the dishwasher starts in drain mode. This is because the drain pump always retains a small amount of water (in the sump) from the previous (last) cycle. This is necessary to keep the pump primed; therefore, do not be alarmed if you see a small amount of water being pumped-out from the drain hose prior to the start of a regular wash cycle. (This is normal).

Intensive wash (P1)

Water Temperature: Wash 54°C (129.2°F) /

Program Duration: 125 minutes

Water Consumption: 10.4 L (22 pts)

Normal wash (P2)

Water Temperature: Wash 52°C (125.6°F) /
Rinse 67°C (152.6°F)

Program Duration: 130 minutes

Water Consumption: 10.4 L (22 pts)

Rapid wash (P3)

Water Temperature: Wash 49°C (120.2°F) /
Rinse 55°C (131°F)

Program Duration: 70 minutes

Water Consumption: 9.6 L (20.3 pts)

Economy wash (P4)

Water Temperature: Wash 54°C (129.2°F) /
Rinse 69°C (156.2°F)

Program Duration: 120 minutes

Water Consumption: 10.4 L (22 pts)

Pre-Wash (P5)

Water Temperature: Incoming water
(tank temperature)

Program Duration: 12 minutes

Water Consumption: 5.4 L (11.4 pts)

Note: Washing time may vary depending on incoming water temperature and the relevant environmental temperature.

Common Dishwasher Problems & Solutions

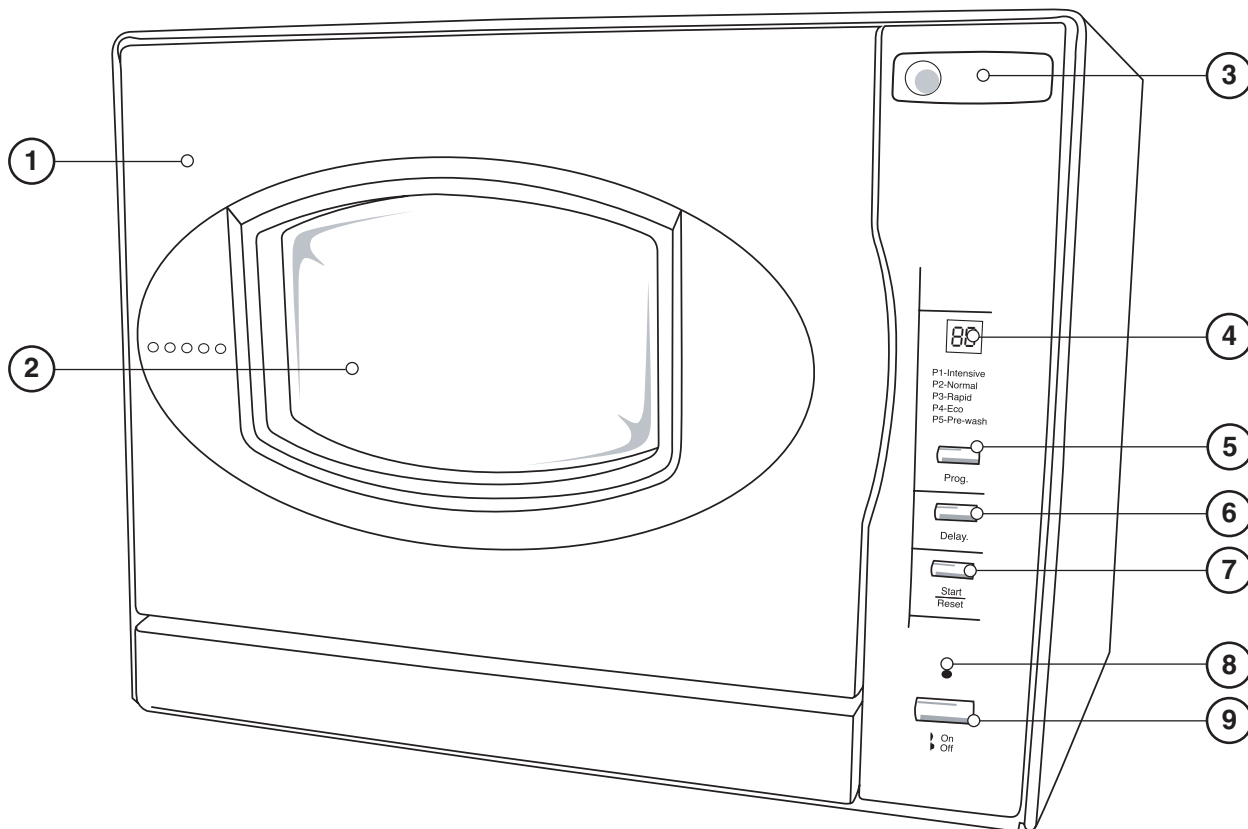
PROBLEM	POSSIBLE CAUSE	SOLUTION
The dishwasher will not start.	<ul style="list-style-type: none"> Dishwasher not receiving electrical power. 	<ul style="list-style-type: none"> Check electrical connection (fuse / circuit breaker).
	<ul style="list-style-type: none"> Door is unlatched. 	<ul style="list-style-type: none"> Close and latch door.
	<ul style="list-style-type: none"> Dishwasher not level. 	<ul style="list-style-type: none"> Level unit.
Dishes are not clean.	<ul style="list-style-type: none"> Improper loading. 	<ul style="list-style-type: none"> Array dishes so spray action reaches all surfaces. Do not overload dishwasher.
	<ul style="list-style-type: none"> Spray arm not rotating freely. 	<ul style="list-style-type: none"> Check spray arm to make sure nothing (e.g. cutlery) is obstructing spray arm rotation. Check if filter screen has become dislodged and is obstructing spray arm rotation.
	<ul style="list-style-type: none"> Not enough detergent and/or improper detergent being used. 	<ul style="list-style-type: none"> Use more dishwasher detergent. Do not use detergent that is hard or caked. Use only a recommended dishwasher detergent.
	<ul style="list-style-type: none"> Improperly prepared dishes. 	<ul style="list-style-type: none"> Excess food soil and liquids should be removed from dishes before loading.
	<ul style="list-style-type: none"> Water inlet hose kinked/bent due to improper installation. 	<ul style="list-style-type: none"> Eliminate kink or bend from inlet hose.
Chipping or breaking of glass-ware.	<ul style="list-style-type: none"> Improper loading of dishes. 	<ul style="list-style-type: none"> Do not overload dishrack. Load glasses on the upper rack only; not over dishrack pins. Glasses loaded over dishrack pins are not properly supported and are subject to damage.
Water remains in bottom of dishwasher	<ul style="list-style-type: none"> A small amount of water (in sump area) is normal. 	<ul style="list-style-type: none"> This is necessary to keep the pump primed and is drained automatically at the beginning of each cycle.
	<ul style="list-style-type: none"> Excessive amount of water; cycle not completed. 	<ul style="list-style-type: none"> Allow dishwasher to complete full cycle.

Table des matières

Identification des pièces de l'appareil	10	Programme de pré lavage	15
INFORMATION DE SÉCURITÉ IMPORTANTE	12	Utilisation du lavage intensif	15
Instructions d'installation	13	Utilisation du lavage en mode économique	15
Pression d'eau	13	Consignes d'utilisation	16
Branchement de votre lave-vaisselle	13	Résumé/Sélection des programmes	16
Débranchement de votre lave-vaisselle	13	Problèmes et solutions courants du lave-vaisselle	17
Chargement de votre lave-vaisselle	14	Garantie	18
Préparation de votre vaisselle pour le lavage	14		
Utilisation du détergent approprié	14		
Quantité de détergent que vous devriez utiliser	15		
Utilisation d'un agent de rinçage	15		

Vérifiez l'appareil afin de détecter les dommages; assurez-vous que toutes les pièces et accessoires sont inclus et lisez ces instructions minutieusement avant d'essayer de faire fonctionner l'appareil.

Identification des pièces de l'appareil



Identification des pièces

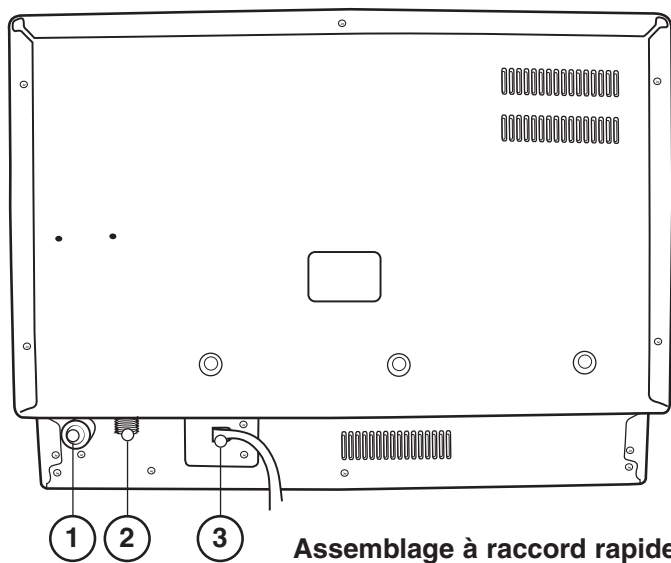
1. Porte
2. Fenêtre de la porte
3. Bouton d'ouverture de la porte
4. Fenêtre d'affichage

5. Bouton de programmation
6. Bouton de fonctionnement différé : Appuyer sur ce bouton diffère le départ du cycle de lavage jusqu'à 24 heures. Chaque pression diffère le départ d'une heure.

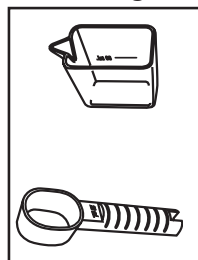
7. Bouton de démarrage/réinitialisation
8. Indicateur d'alimentation
9. Bouton marche/arrêt

Identification des pièces de l'appareil

Arrière du lave-vaisselle



Distributeurs de détergent



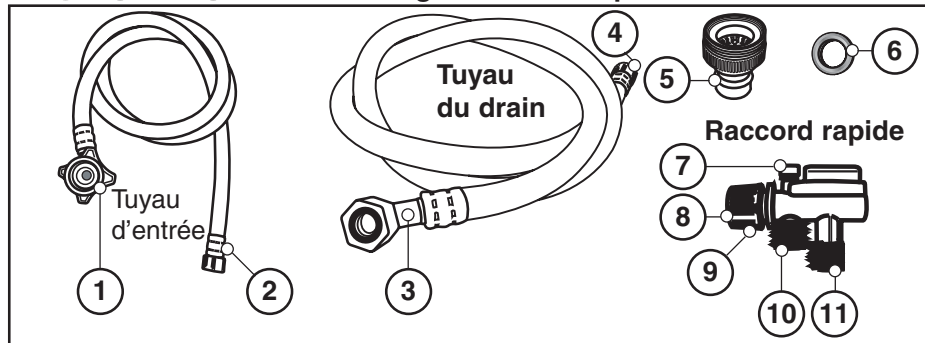
Arrière du lave-vaisselle :

1. Port d'entrée
2. Sortie de drainage
3. Cordon d'Alimentation

Distributeurs de détergent :

- Haut : Mesure de liquide
Bas : Mesure de poudre

Assemblage à raccord rapide



Assemblage à raccord rapide :

Tuyau d'entrée :

1. Raccord du port d'entrée
2. Raccord de connexion rapide

Tuyau du drain :

3. Raccord de la sortie de drainage
4. Raccord de connexion rapide

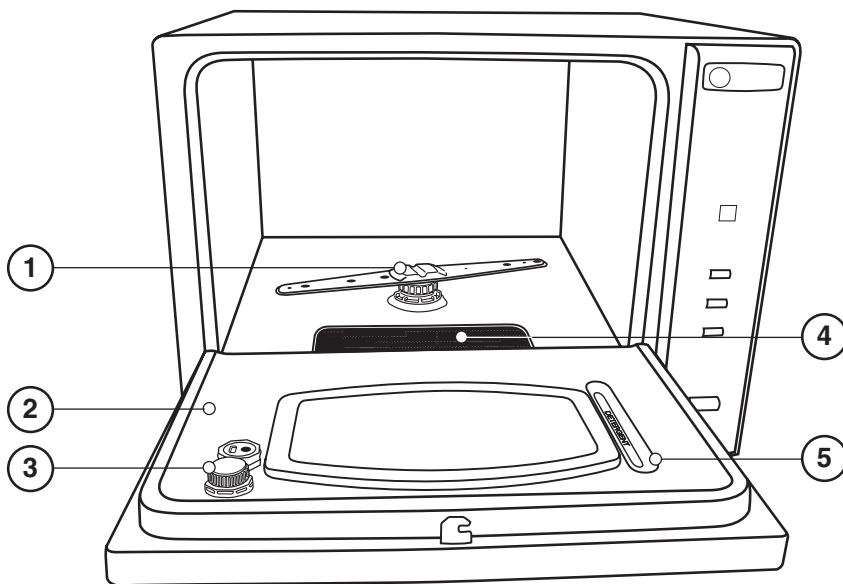
Adaptateur de robinet :

5. Adaptateur de robinet
6. Rondelle en caoutchouc du robinet

Raccord rapide :

7. Valve de pression
8. Raccord de l'adaptateur du robinet
9. Bague de serrage
10. Raccord du tuyau d'entrée
11. Raccord du tuyau du drain

Cavité du lave-vaisselle



Cavité du lave-vaisselle :

1. Assemblage du bras de vaporisation
2. Panneau intérieur de la porte
3. Distributeur de l'agent de rinçage
4. Filtre
5. Fosse du détergent

INFORMATION DE SÉCURITÉ IMPORTANTE

AVERTISSEMENT

Lorsque vous procédez au chargement du lave-vaisselle, suivez les mesures de sécurité de base, incluant les mesures suivantes ;

- Lisez toutes les instructions avant d'utiliser le lave-vaisselle.
- Utilisez le lave-vaisselle seulement pour son utilisation prévue (normale, utilisation domestique seulement).
- Utilisez seulement des détergents ou des agents mouillants recommandés pour utilisation dans un lave-vaisselle, ne les utilisez pas pour le lavage des mains et gardez-les hors de la portée des enfants.

Lors du chargement des articles devant être lavés :

- Placez les articles pointus (c.-à-d. fourchettes ou couteau) de façon à ce qu'ils n'endommagent pas le joint d'étanchéité de la porte.
- Chargez les couteaux pointus avec le manche vers le haut pour éviter les coupures.
- Ne lavez pas les articles de plastique à moins qu'ils ne soit indiqué comme étant "résistant au lave-vaisselle" ou équivalent. Pour les articles de plastique qui n'ont pas cette indication, vérifiez les recommandations du fabricant.
- Ne touchez pas à l'élément chauffant (placé sous le filtre) pendant ou immédiatement après l'utilisation.
- Ne faites pas fonctionner le lave-vaisselle lorsque les panneaux de fermeture ne sont pas correctement en place.
- Ne trafiquez pas les contrôles.
- Ne malmenez pas, ne vous assoyez pas ou ne vous tenez pas debout, sur la porte ou sur le panier du lave-vaisselle.
- Pour réduire les risques de blessures, ne laissez pas les enfants faire fonctionner (ou jouer dans ou sur) le lave-vaisselle.
- Ne laissez pas les enfants jouer autour du lave-vaisselle lorsque vous ouvrez ou fermez la porte du lave-vaisselle.
- Sous certaines conditions, un gaz d'hydrogène peut être produit dans un système à eau chaude qui n'a pas été utilisé pendant deux semaines ou plus. Le gaz d'hydrogène est explosif. Si le système d'eau chaude n'a pas été utilisé pendant une telle période de temps, avant l'utilisation du lave-vaisselle, ouvrez tous les robinets d'eau chaude et laissez l'eau couler de chaque robinet pendant quelques minutes (ceci permettra de libérer les gaz d'hydrogène accumulés). Comme le gaz d'hydrogène est inflammable, ne fumez pas ou n'utilisez pas de feu pendant cette opération.
- Enlevez la porte du compartiment de lavage lorsque vous mettez hors service un vieux lave-vaisselle ou lorsque vous le jetez.
- Ne vaporisez pas d'eau sur l'appareil; cela peut causer une décharge électrique ou le dysfonctionnement des pièces électriques.

DANGER

Le détergent pour lave-vaisselle est un alcalin puissant et peut être extrêmement dangereux s'il est avalé; évitez les contacts avec la peau et les yeux et gardez les enfants loin du lave-vaisselle lorsque la porte est ouverte. Vérifiez que le distributeur de détergent est vide à la fin de chaque cycle de lavage.

AVERTISSEMENT

Les instructions relatives aux risques d'incendie, décharges électriques et aux blessures corporelles.

Instructions électriques :

une prise de courant CA de 120 volts à 60 Hz est requise. Pour votre sécurité personnelle, l'appareil devrait être équipé d'une mise à la terre. Cet appareil est équipé d'un cordon d'alimentation qui possède 3 lame avec mise à la terre. Pour minimiser les risques de décharge électrique possible, il doit être branché dans une prise de courant qui possède 3 lames (de type mise à la terre). Si le cordon d'alimentation est endommagé, il doit être remplacé par le fabricant ou un de ses représentants de service ou une personne ayant les compétences nécessaires afin de réduire les risques de décharges électriques.

Instructions de mise à la terre :

Cet appareil doit être mis à la terre. Dans le cas d'un mauvais fonctionnement ou d'un arrêt complet, la mise à la terre réduit le risque de décharge électrique en fournissant un chemin qui offre moins de résistance au courant électrique. Cet appareil est muni d'un cordon d'alimentation comportant un conducteur de mise à la terre de l'équipement et une fiche de mise à la terre. La fiche de mise à la terre doit être branchée dans une prise de courant appropriée et mise à la terre conformément à la réglementation locale.

CONSERVEZ CES INSTRUCTIONS!

Instructions d'installation

⚠ AVERTISSEMENT ⚠

Un tuyau qui est relié à une douchette d'évier peut éclater s'il est installé sur le même conduit d'eau que le lave-vaisselle. Si votre évier en est équipé, il est recommandé que le tuyau soit débranché et le trou bouché.

Enlevez tous les accessoires d'emballage avec précaution.

Si votre adaptateur de robinet existant n'est pas compatible avec l'assemblage pour tuyau à "raccord rapide" fourni :

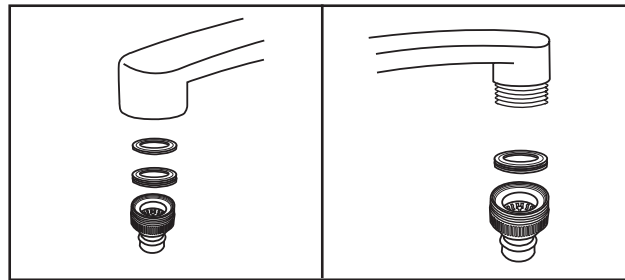
- Branchez l'adaptateur de robinet (inclus avec le lave-vaisselle) à votre robinet.
- Si votre robinet possède un branchement de type 'mâle' fileté, utiliser seulement la rondelle de caoutchouc standard (0,2 po / 5 mm d'épaisseur) fourni à l'intérieur de l'adaptateur. Enlevez la deuxième rondelle de caoutchouc de.
- Si votre robinet possède un branchement de type 'femelle' fileté, les deux rondelles de caoutchouc doivent être installées à l'intérieur de l'adaptateur de robinet.
- La hauteur de dégagement minimale requise pour installer votre lave-vaisselle sur une surface de travail avec des armoires au-dessus est de 45 cm (17,7 po).
- Assurez-vous qu'il y a une prise de courant à la portée de votre cordon d'alimentation électrique (195 cm / 6,3 pi).
- Assurez-vous que le robinet qui alimente en eau le lave-vaisselle est à la portée du tuyau de remplissage et drainage (c.-à-d., 58 cm / 22,8 po).
- Le lave-vaisselle doit être installé sur une surface au niveau et solide.

Pression d'eau

Pour de meilleurs résultats de fonctionnement, la pression de l'entrée d'eau devrait être entre 15 et 20 livres au pouce carré (psi).

Pour de meilleurs résultats :

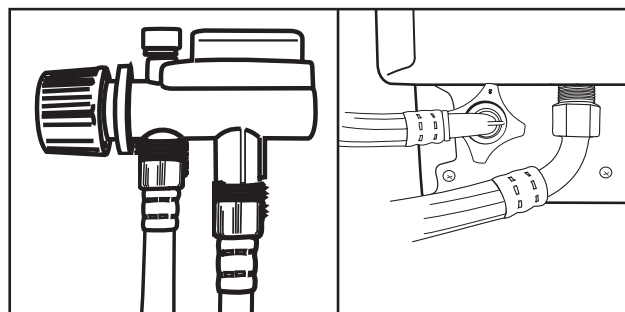
Votre lave-vaisselle nettoie en vaporisant un mélange d'eau chaude et de détergent (sous-pression) sur les surfaces souillées de la vaisselle. L'eau est pompée à travers un bras de vaporisation rotatif, vidangé à travers un filtre (enlevant la nourriture et les particules de saleté) et est pompée de nouveau à travers le bras de vaporisation. L'eau souillée est pompée dans le renvoi et remplacée par de l'eau propre à la fin de chaque cycle (le nombre de fois dépend du type de programme de lavage qui est utilisé). Pour de meilleurs résultats de lavage, la température de l'eau doit être d'au moins 55 °C (130 °F). Pour éviter les dommages au lave-vaisselle, la température de l'eau entrant dans le lave-vaisselle ne devrait pas dépasser 71 °C (160 °F).



Branchement de votre lave-vaisselle

Votre lave-vaisselle est livré avec un assemblage à "raccord rapide" (incluant le tuyau d'entrée et le drainage). L'adaptateur de robinet doit être installé sur le robinet avant que vous puissiez brancher le lave-vaisselle. Cet adaptateur est inclus à l'intérieur de votre lave-vaisselle. L'adaptateur de robinet est compatible avec les robinets comprenant les branchements pour les robinets filetés soit mâle (extérieur) ou femelle (intérieur).

- SVissez l'adaptateur de robinet sur (ou dans) le filetage du robinet. Vérifiez les fuites (utilisez un ruban de téflon pour les éliminer si nécessaire).
- Branchez la connexion hexagonale du tuyau de drainage à la sortie de drainage située à l'arrière du lave-vaisselle; ne la serrez pas trop (pour éviter d'endommager les filets).
- Branchez la connexion de forme étoilée du tuyau d'arrivée à la valve d'entrée de l'eau située à l'arrière du lave-vaisselle; ne la serrez pas trop (pour éviter d'endommager les filets).
- Branchez la connexion circulaire du tuyau de drainage sur la partie mâle la plus longue (inférieure) sur le raccord rapide.
- Branchez la connexion circulaire du tuyau d'arrivée sur la partie mâle la plus courte (supérieure) sur le raccord rapide.
- Reliez le raccord rapide à l'adaptateur de robinet, en tirant vers le bas la bague de verrouillage extérieure sur le raccord rapide, tout en poussant le raccord rapide vers le haut sur l'adaptateur de robinet.
- Lorsque le raccord rapide s'enclenche sur l'adaptateur de robinet, relâchez la bague de verrouillage. Vérifiez si la connexion est solide.
- Ouvrez lentement l'eau chaude et vérifiez s'il y a des fuites à toutes les jonctions du tuyau. Si vous repérez une fuite, fermez immédiatement l'arrivée d'eau et réparez le branchement du tuyau.



! IMPORTANT !

- Une fois que vous avez ouvert l'arrivée d'eau (même si vous l'avez refermée immédiatement par la suite), le tuyau d'arrivée sera sous pression.
- Pour libérer la pression d'eau du tuyau d'arrivée (assurez-vous que l'entrée d'eau (robinet) est fermée): appuyez et maintenez le bouton rouge pour libérer la pression sur le raccord rapide jusqu'à ce que l'eau arrête de s'écouler.

! AVERTISSEMENT !

NE PAS LIBÉRER LA PRESSION D'EAU (AVANT DE DÉBRANCHER LE RACCORD RAPIDE DU ROBINET) ENTRAÎNERA UNE CONTRE-PRESSION SOUS FORME DE PULVÉRISATION

! DANGER !

NE LAISSEZ PAS LES ENFANTS DÉBRANCHER LE LAVE-VAISSELLE; UNE ÉTROITE SUPERVISION DES ENFANTS EST TOUJOURS IMPORTANTE AUTOUR DES APPAREILS.

REMARQUE : L'eau dure nuira défavorablement aux performances de lavage de votre lave-vaisselle. L'eau dure contribuera aux dépôts 'calcaires' (pellicule blanche) et/ou aux 'accumulations de tartre' sur la surface d'acier inoxydable de la cuve du lave-vaisselle et de l'élément chauffant, situé dans la cuve de vidange en dessous de la protection du filtre amovible. Pour aider à minimiser ces conditions, il est recommandé d'effectuer un rinçage périodiquement de l'intérieur du lave-vaisselle (à vide) en utilisant 1 tasse de vinaigre blanc au moins une fois par semaine.

Débranchement du lave-vaisselle

- Fermez l'entrée d'eau chaude sur le robinet.
- Débranchez le cordon d'alimentation.
- Souvenez-vous de libérer la pression d'eau à l'intérieur du tuyau de remplissage. Appuyez et maintenez le bouton rouge pour libérer la pression sur le raccord rapide jusqu'à ce que l'eau arrête de s'écouler.
- Débranchez l'assemblage de raccord rapide pour tuyau en tirant vers le bas sur la bague de verrouillage externe (de cette façon, vous détachez le raccord rapide de l'adaptateur de robinet).

Chargement du lave-vaisselle

Le lave-vaisselle est conçu pour recevoir un ensemble d'assiettes '4 couverts', qui comprend les morceaux suivants :

- 4 assiettes
- 4 bols à soupe
- 4 assiettes à dessert
- 4 soucoupes
- 4 tasses
- 4 cuillères à thé
- 1 assiette ovale
- 1 petite assiette
- 1 assiette
- 4 verres
- 4 cuillères à soupe
- 4 fourchettes
- 4 couteaux
- 4 cuillères à dessert
- 2 cuillères de service
- 1 fourchette de service
- 1 louche à sauce

REMARQUE: Pour faciliter le chargement/déchargement de grosses assiettes du panier du lave-vaisselle, il peut être nécessaire d'enlever temporairement le panier de coutellerie. Lorsque le chargement/déchargement est complété, remplacez le panier de coutellerie dans sa position d'origine.

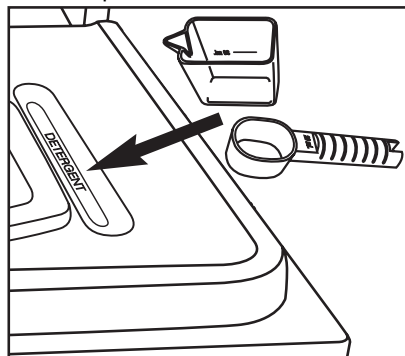
Préparation de la vaisselle pour le lavage

- Enlevez en grattant les particules de nourriture solide qui sont collées sur la vaisselle.
- Enlevez les surplus d'huile ou de graisse.
- Videz tous les liquides des verres et des tasses.
- Toute vaisselle devrait être complètement rincée avant d'être placée à l'intérieur du lave-vaisselle.

Remarque : Les plats ayant de la nourriture séchée sont plus difficiles à laver et peuvent ne pas être propres à la suite d'un cycle normal de lavage.

Utilisation du détergent approprié

Utilisez seulement un détergent spécialement conçu pour être utilisé dans un lave-vaisselle (les autres types causeront un excès de mousse). Si votre détergent est vieux et/ou plein de grumeaux; jetez-le, puisque les vieux détergents perdent de leur pouvoir nettoyant et les détergents avec des grumeaux ne se dissolvent pas.



Quantité de détergent à utiliser

Cela dépend si votre eau est 'dure' ou 'douce' :

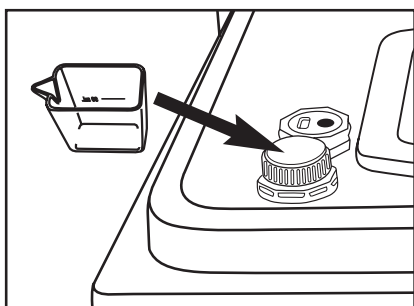
L'eau dure exige plus de détergent pour obtenir de la vaisselle propre; l'eau douce en exige moins

- Le compartiment de détergent encastré situé à l'intérieur de la porte contiendra approximativement 20 grammes de détergent.

Utilisation d'un agent de rinçage

Vous pouvez aider à prévenir l'apparition de taches disgracieuses sur les assiettes et la verrerie et réduire le temps de séchage en utilisant un agent de rinçage. Un agent de rinçage est spécialement conçu pour faire partir la nourriture et les résidus de détergent qui peuvent demeurer sur la vaisselle. Utilisé régulièrement, un agent de rinçage vous donnera une vaisselle plus propre chaque fois que vous la lavez.

- Pour remplir le distributeur d'agent de rinçage : dévissez le bouchon du distributeur situé à l'intérieur de la porte. Ajoutez de l'agent de rinçage lentement dans le distributeur jusqu'à ce que le liquide atteigne le bas du bouchon de remplissage à l'intérieur de l'ouverture du distributeur. Remettez le bouchon. Le distributeur libère automatiquement l'agent de rinçage pendant le rinçage final avec de l'eau à la fin du cycle de lavage. Le distributeur contient approximativement 125 ml (4,2 oz. Liquide) d'agent de rinçage.



Programme de pré-lavage (P5)

Le programme pratique de pré-lavage permet à votre vaisselle d'être rincée si vous n'avez pas une charge complète pour le lavage (ce qui évite que les aliments sèchent ou durcissent sur les surfaces de la vaisselle). Il n'est pas nécessaire d'ajouter du détergent au lave-vaisselle pendant le cycle de pré-lavage; cependant (en raison de la courte durée de ce cycle – 6 minutes seulement), assurez-vous que l'eau entrante est chaude. Ouvrez le robinet d'eau chaude et laissez-le couler jusqu'à ce que l'eau soit chaude avant de le relier au lave-vaisselle.

IMPORTANT

Votre lave-vaisselle n'est pas un "broyeur de déchet"; enlevez, en nettoyant, les gros morceaux d'aliment avant de les placer dans le lave-vaisselle.

Utilisation du lavage intensif (P1)

La caractéristique du lavage intensif vous donne la possibilité de laver/sécher avec une température d'eau très élevée.

Lorsqu'elle est activée, la caractéristique de lavage intensif envoie de l'électricité dans l'élément chauffant ce qui augmente et maintient la température interne de l'eau du lave-vaisselle à 69 °C (156,2 °F).

AVERTISSEMENT

À cette température l'eau peut causer de graves brûlures ou vous ébouillanter; donc, soyez toujours extrêmement prudent lorsque vous ouvrez et/ou vous présentez devant le lave-vaisselle pendant les cycles de lavage intensifs, économiques et normaux, spécialement pendant leur cycle de rinçage respectif.

Pour activer cette caractéristique, appuyez sur le bouton programme jusqu'à ce que le programme (P1) apparaisse sur l'afficheur des programmes.

- Appuyez sur le bouton démarrage et le programme de lavage intensif s'active ("P1" reste affiché et clignote une fois complété).

IMPORTANT

Pour que le système de vidange fonctionne correctement la plus haute distance entre le raccord rapide de robinet et la base du lave-vaisselle ne devrait pas dépasser 15 cm (6 pouces).

Utilisation du lavage mode économique (P4)

Le programme mode économique vous donne la possibilité de laver la vaisselle avec la température de l'eau entrante de votre réservoir à eau chaude (normalement entre 54.4°~ 60 °C/ 130°~ 140 °F). Lorsqu'activé, le programme mode économique 'coupe le courant' (contourne) de l'élément chauffant du lave-vaisselle. Pour activer le programme mode économique :

- Appuyez sur le bouton programme sur le panneau de commande jusqu'à ce que "P4" s'affiche sur l'afficheur.
- Appuyez sur le bouton pause/démarrage et le programme mode économique s'active ("P4" reste affiché et clignote une fois complété).

IMPORTANT

Le temps de séchage pour la vaisselle sera plus long avec l'utilisation du programme mode économique. La vaisselle est séchée par une méthode de 'convection' seulement. Pour augmenter la vitesse de séchage, il est recommandé de laisser la porte du lave-vaisselle partiellement ouverte une fois le programme complété. Ceci permettra à l'humidité provenant de l'intérieur du lave-vaisselle de s'échapper. Appuyez sur le bouton d'ouverture de la porte et la porte s'ouvrira à la position pré-réglée de séchage.

Pour faire fonctionner le lave-vaisselle;

1. Reliez l'assemblage à raccord rapide pour tuyau au robinet.
2. Appuyez sur le bouton d'ouverture de la porte.
3. Assurez-vous que le filtre est solidement positionné.
4. Placez la vaisselle sur le panier et la coutellerie dans le panier de coutellerie.
5. Assurez-vous que le bras de vaporisation peut tourner sans encombrement en le tournant doucement dans le sens des aiguilles d'une montre.
6. Remplissez la cavité de détergent (située dans la zone encastrée de l'intérieur de la porte (jusqu'à 12 grammes)).

REMARQUE: Si vous utilisez seulement le cycle de pré-lavage, il n'est pas nécessaire d'ajouter du détergent.

7. Fermez bien la porte.
8. Ouvrez le robinet d'eau chaude.
9. Appuyez sur le bouton marche/arrêt vers l'intérieur.
Bouton d'alimentation enfoncé vers l'intérieur = marche
Bouton d'alimentation vers l'extérieur = arrêt
Le voyant lumineux à DEL (situé juste au-dessus du bouton d'alimentation) s'allumera, ceci indique que le lave-vaisselle reçoit l'alimentation en électricité.
10. Appuyez sur le bouton programme jusqu'à ce que le code du programme désiré s'affiche sur l'afficheur
Les codes de programmes sont
P1, pour le lavage intensif
P2, pour le lavage normal
P3, pour le lavage rapide
P4, pour le lavage en mode économique
P5, pour le pré-lavage
11. Appuyez sur le bouton pause/démarrage pour commencer le programme sélectionné. L'afficheur fera clignoter le code de programme pendant tout le temps du cycle. À la fin du cycle, le lave-vaisselle s'arrêtera; le lave-vaisselle émettra un bip.
L'indicateur d'alimentation reste allumé jusqu'à ce que le bouton d'alimentation soit mis en arrêt (le bouton d'alimentation marche/arrêt doit être vers l'extérieur ou sortie)
Vous pouvez sélectionner un autre programme pendant le fonctionnement en appuyant sur le bouton pause/démarrage et en appuyant par la suite sur le bouton de programme (jusqu'à ce que le code du programme désiré s'affiche sur l'afficheur), finalement, appuyez de nouveau sur le bouton pause/démarrage pour confirmer votre choix de programme. Le lave-vaisselle va redémarrer et va commencer la fonction sélectionnée..

Remarque: Pour des raisons de sécurité, le lave-vaisselle est conçu pour s'arrêter dans le cas où la porte serait ouverte pendant le cycle de lavage.

IMPORTANT: Une fois le lavage complété, appuyez sur le bouton d'ouverture de la porte et laissez le lave-vaisselle de cette façon pendant environ quinze minutes. Ceci permet à la vaisselle de refroidir, car elle peut être trop chaude pour être touchée immédiatement après le lavage.

12. Après avoir enlevé la vaisselle, enlevez l'écran de protection métallique du filtre (situé dans le bas de la cuve du lave-vaisselle) et enlevez tout résidu d'aliment qui peut être coincé à l'intérieur, enfin, remplacez le filtre dans sa position d'origine.

REMARQUE: Au commencement de chaque cycle, le lave-vaisselle débute par le mode de drainage. Ceci est dû au fait que la pompe de drainage retient toujours une petite quantité d'eau (dans la cuve de vidange) qui provient du cycle (dernier) précédent. Ceci est nécessaire pour garder la pompe amorcée; par conséquent, ne soyez pas inquiet, si vous voyez une petite quantité d'eau sortir du tuyau de drainage avant le début du cycle régulier de lavage. (Ceci est tout à fait normal).

Température de l'eau : Lavage 57 °C (129,2 °F) /

Rinçage 69 °C (156,2 °F)

Durée du programme : 125 minutes

Consommation d'eau : 10,4 L (880 oz liquide)

Lavage normal (P2)

Température de l'eau : Lavage 52 °C (125,6 °F) /

Rinçage 67 °C (152,6 °F)

Durée du programme : 130 minutes

Consommation d'eau : 10,4 L (880 oz liquide)

Lavage rapide (P3)

Température de l'eau : Lavage 49 °C (120,2 °F) /

Rinçage 55 °C (131 °F)

Durée du programme : 70 minutes

Consommation d'eau : 9,6 L (812 oz liquide)

Lavage mode économique (P4)

Température de l'eau : Lavage 54 °C (129,2 °F) /

Rinçage 69 °C (156,2 °F)

Durée du programme : 120 minutes

Consommation d'eau : 10,4 L (880 oz liquide)

Pre-Wash (P5)

Température de l'eau Eau entrante

(température du réservoir d'eau chaude)

Durée du programme : 12 minutes

Consommation d'eau : 5,4 L (456 oz liquide)

Remarque : Le temps de lavage peut varier en fonction de la température de l'eau entrante et de la pertinence de la température du milieu.

Problèmes et solutions courants du lave-vaisselle

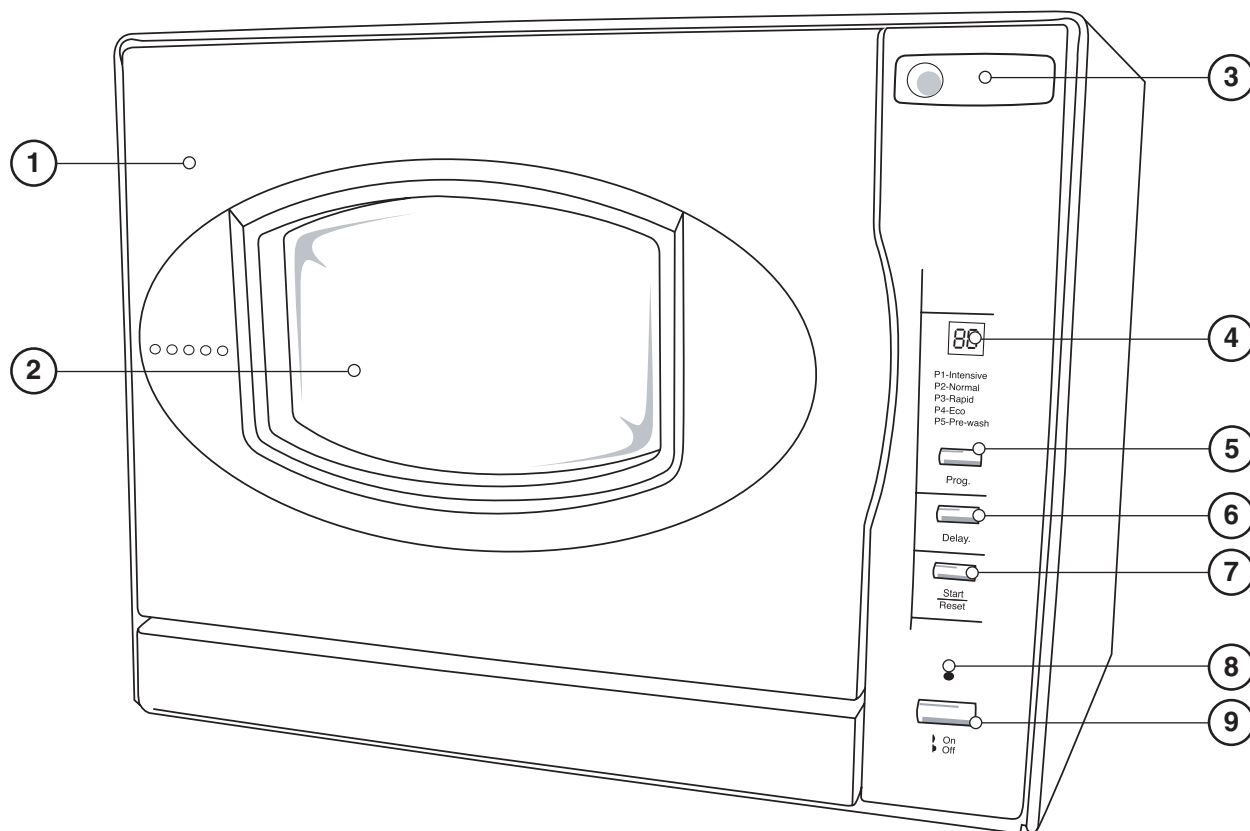
PROBLÈME	CAUSE POSSIBLE	SOLUTION
Le lave-vaisselle ne démarre pas.	<ul style="list-style-type: none"> Le lave-vaisselle ne reçoit pas d'alimentation électrique. 	<ul style="list-style-type: none"> Vérifiez les connexions électriques (fusibles/disjoncteurs).
	<ul style="list-style-type: none"> La porte est déverrouillée. 	<ul style="list-style-type: none"> Fermez et verrouillez la porte.
	<ul style="list-style-type: none"> Le lave-vaisselle n'est pas au niveau. 	<ul style="list-style-type: none"> Mettez l'unité au niveau.
La vaisselle n'est pas propre.	<ul style="list-style-type: none"> Chargement inadéquat. 	<ul style="list-style-type: none"> Placez la vaisselle afin que l'eau puisse toucher à toutes les surfaces. Ne surchargez pas le lave-vaisselle.
	<ul style="list-style-type: none"> Le bras de vaporisation ne tourne pas librement. 	<ul style="list-style-type: none"> Vérifiez que le bras de vaporisation peut tourner librement sans blocage. Vérifiez si le filtre est délogé et qu'il obstrue la rotation du bras de vaporisation.
	<ul style="list-style-type: none"> Pas assez de détergent et/ou détergent inadéquat 	<ul style="list-style-type: none"> Utilisez plus de détergent à lave-vaisselle. N'utilisez pas de détergent qui est dur ou aggloméré. Utilisez seulement du détergent à lave-vaisselle recommandé.
	<ul style="list-style-type: none"> Vaisselle mal préparée. 	<ul style="list-style-type: none"> L'excédant de saleté de nourriture et de liquide doit être enlevé de la vaisselle avant de la charger.
	<ul style="list-style-type: none"> Yuyau d'entrée d'eau plié à cause d'une mauvaise installation. 	<ul style="list-style-type: none"> Assurez-vous que le tuyau d'entrée n'est pas replié.
Éclat ou bris de la verrerie.	<ul style="list-style-type: none"> Chargement inadéquat de la vaisselle. 	<ul style="list-style-type: none"> Ne surchargez pas le lave-vaisselle. Chargez la verrerie sur le support supérieur seulement; pas par dessus les tiges du support. La verrerie au dessus des tiges n'est pas supportée adéquatement et risque d'être endommagée.
L'eau demeure dans la base du lave-vaisselle.	<ul style="list-style-type: none"> Une petite quantité d'eau (près de la vidange) est normale. 	<ul style="list-style-type: none"> Ceci est nécessaire afin de garder la pompe amorcée et elle est drainée automatiquement au début de chaque cycle.
	<ul style="list-style-type: none"> Une quantité excessive d'eau; le cycle n'est pas complété. 	<ul style="list-style-type: none"> Laissez le lave-vaisselle compléter son cycle complet.

Índice

Identificación de las partes de la unidad	19	Programa de prelavado	24
Instrucciones Importantes de Seguridad	21	Uso de lavado intensivo	24
Instrucciones de Instalación	22	Uso de lavado económico	24
Presión de agua	22	Instrucciones de Operación	25
Conexión de su lavavajillas	22	Resumen de programas/selección	25
Desconexión de su lavavajillas	23	Problemas comunes y sus soluciones	26
Carga de su lavavajillas	23	Garantía	27
Preparación de la vajilla para lavar	23		
Uso del detergente correcto	23		
Cuánto detergente hay que usar	24		
Uso de un agente de enjuague	24		

Inspeccione la unidad para verificar que no esté dañada, verifique que no falte ninguna parte ni accesorio y lea completamente estas instrucciones antes de intentar usarlo.

Identificación de las partes de la unidad

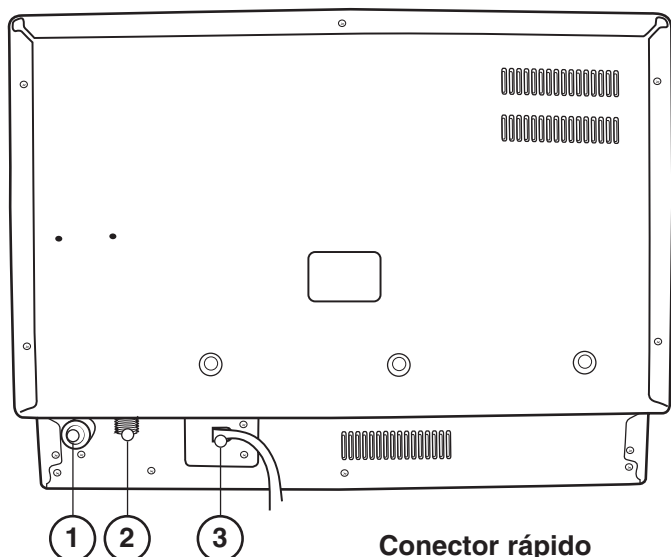


Identificación de las partes

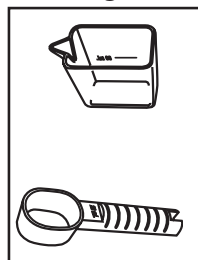
- | | | |
|-------------------------------|---|-------------------------------|
| 1. Puerta | 5. Botón de programa | 7. Botón de arranque/reinicio |
| 2. Ventana de la puerta | 6. <u>Botón de retardo</u> : Presionando este botón se retarda el comienzo de un ciclo de lavado en hasta 24 horas. Cada pulsación retarda el comienzo en 1 hora. | 8. Indicador de encendido |
| 3. Botón para abrir la puerta | | 9. Botón de encendido/apagado |
| 4. Pantalla digital | | |

Identificación de las partes de la unidad

Parte posterior del lavavajillas



Surtidores de detergente



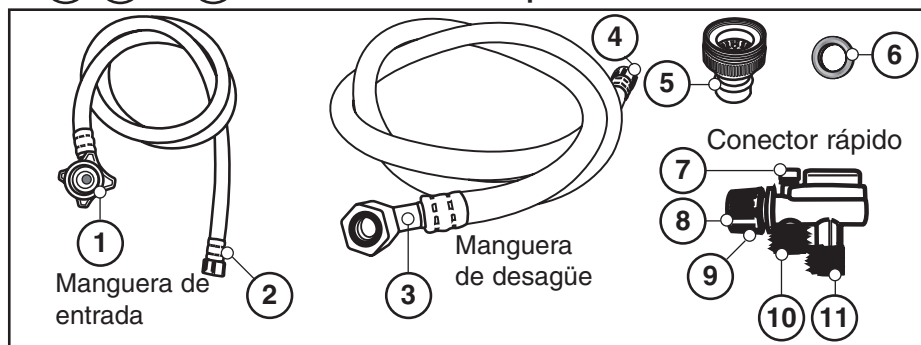
Parte posterior del lavavajillas:

1. Puerto de entrada
2. Puerto de drenaje
3. Cable de Alimentación

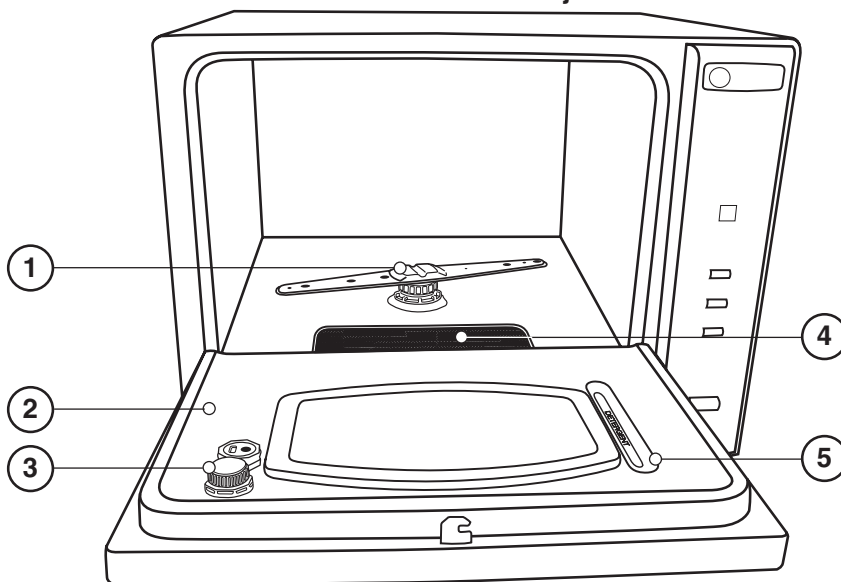
Surtidores de detergente

- Arriba:** Medidor de líquido
Abajo: Medidor de polvo

Conector rápido



Interior del lavavajillas



Conector rápido

Manguera de entrada:

1. Conexión del puerto de entrada
2. Conexión rápida

Manguera de desagüe:

3. Conexión del puerto de drenaje
4. Conexión rápida

Adaptador para grifo:

5. Adaptador para grifo
6. Arandela para grifo

Conector rápido:

7. Válvula de liberación de presión
8. Conexión del adaptador para grifo

9. Collar exterior
10. Conexión de la manguera de entrada

11. Conexión de la manguera de drenaje

Interior del lavavajillas:

1. Conjunto de brazo rociador
2. Interior del panel de la puerta
3. Surtidor de agente de enjuague
4. Rejilla del filtro
5. Recipiente para detergente

INSTRUCCIONES IMPORTANTES DE SEGURIDAD

ADVERTENCIA

Al cargar su lavavajillas, siga las instrucciones básicas de seguridad, incluyendo las siguientes:

- Lea completamente las instrucciones antes de utilizar el lavavajillas.
- Use el lavavajillas únicamente para las aplicaciones para las que fue diseñado (uso doméstico normal únicamente).
- Use únicamente detergentes o agentes humectantes recomendados para lavavajillas, no los use para lavar a mano y manténgalos fuera del alcance de los niños.

Al colocar artículos para lavar:

- Coloque los objetos filosos (tenedores o cuchillos) de manera que no dañen el burlete de la puerta.
- Coloque los cuchillos filosos con el mango hacia arriba para evitar el riesgo de cortaduras.
- No lave artículos de plástico a menos que sean "aptos para lavavajillas". Verifique las recomendaciones del fabricante para los artículos de plásticos que no tengan indicaciones.
- No toque el elemento calefactor (ubicado debajo del filtro) durante o inmediatamente después de usarlo.
- No use el lavavajillas a menos que todas sus partes periféricas estén correctamente en su lugar.
- No modifique los controles.
- No abuse, se siente o pare en la puerta o la bandeja del lavavajillas.
- Para reducir el riesgo de heridas, no deje que los niños usen (o jueguen con) el lavavajillas.
- No deje que los niños jueguen alrededor del lavavajillas mientras esté funcionando o al cerrar su puerta.
- Bajo ciertas condiciones, un sistema de agua caliente que no se utilice por más de dos semanas puede producir gas de hidrógeno. El gas de hidrógeno es explosivo. Si el sistema de agua caliente no se ha utilizado por dicho período, abra todas las canillas de agua caliente y deje fluir el agua durante unos minutos antes de usar el lavavajillas (esto liberará cualquier acumulación de gas de hidrógeno). Como el gas de hidrógeno es inflamable, no fume o encienda ninguna llama durante ese tiempo.
- Quite la puerta del compartimiento de lavado al quitar un lavavajillas viejo o al desecharlo.
- No rocíe el artefacto con agua, podría causar una descarga eléctrica dañar sus partes eléctricas.

PELIGRO

El detergente para lavavajillas es altamente alcalino y puede ser muy peligroso si se ingiere; evite el contacto con la piel y los ojos, y mantenga a los niños lejos del lavavajillas cuando su puerta esté abierta. Verifique que el recipiente del detergente esté vacío al finalizar cada ciclo de lavado.

ADVERTENCIA

Instrucciones referentes al riesgo de incendio, descarga eléctrica o daños personales.

Instrucciones eléctricas:

Necesitará un tomacorriente de 120V CA, 60 Hz. Este artefacto debe ser conectado correctamente a tierra por razones de seguridad. Este artefacto viene con un cable de alimentación que tiene un enchufe de 3 patas con conexión a tierra. Para minimizar la posibilidad de descarga eléctrica, debe enchufarlo en un tomacorriente complementario de 3 orificios (con conexión a tierra). Si se daña algún cable de alimentación, debe ser reemplazado por el fabricante, su agente técnico o un técnico calificado para evitar accidentes.

Instrucciones de la conexión a tierra:

Este artefacto debe ser conectado a tierra. En caso de falla o avería, la conexión a tierra reducirá el riesgo de descarga eléctrica proporcionando un camino de menor resistencia para la corriente eléctrica. Este artefacto viene con un cable de alimentación que tiene un conductor y pata del enchufe de tierra. El enchufe debe conectarse a un tomacorriente apropiado que esté instalado y conectado a tierra de acuerdo con las normas y reglamentaciones locales.

¡CONSERVE ESTAS INSTRUCCIONES!

Instrucciones de Instalación

⚠ ADVERTENCIA ⚠

Una manguera conectada a un rociador de cocina puede llegar a reventar si se conecta a la misma línea que el lavavajillas. Si su pileta tiene una, le recomendamos desconectar la manguera y tapar el orificio.

Saque todo el material de empaque con cuidado.

Si el adaptador de su grifo no es compatible con la manguera de "conexión rápida" incluida;

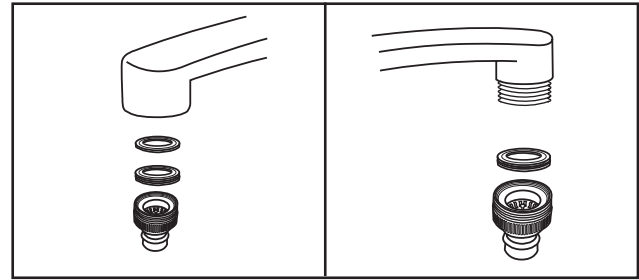
- Coloque el adaptador de grifo (incluido con el lavavajillas) en su grifo.
- Si su grifo ya tiene un conector 'macho' roscado, use únicamente la arandela de goma (0,2"/5 mm de espesor) incluida dentro del adaptador. Saque la segunda arandela de goma.
- Si su grifo ya tiene un conector 'hembra' roscado, deberá usar ambas arandelas de goma dentro del adaptador.
- La altura mínima necesaria para instalar su lavavajillas en una mesada de cocina es 45 cm (17,7").
- Verifique que tenga un tomacorriente al alcance del cable de alimentación (195 cm/6.3').
- Verifique que la conexión de agua/grifo esté al alcance de la manguera de llenado y drenaje (58 cm / 22,8").
- La unidad debe instalarse en una superficie nivelada.

Presión de agua

Para obtener los mejores resultados, la presión de agua de entrada debe estar entre 15 y 20 psi.

PARA LOS MEJORES RESULTADOS

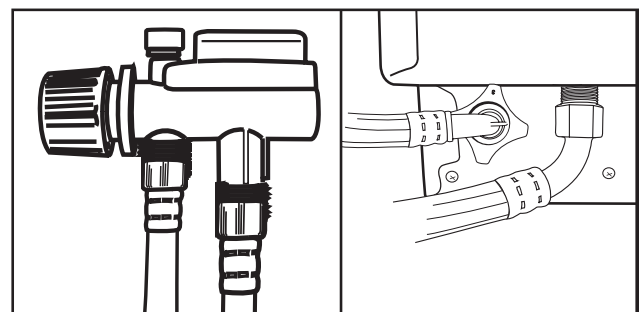
Su lavavajillas lava rociando una mezcla de agua caliente limpia y detergente (a presión) contra la superficie sucia de la vajilla. El agua se bombea a través de un brazo giratorio, se drena por un filtro (quitando la comida y partículas de suciedad) y se vuelve a bombear por el brazo giratorio. El agua sucia se drena y se reemplaza con agua limpia al final de cada ciclo (la cantidad de veces depende del programa de lavado utilizado). Para una mejor limpieza, la temperatura del agua debe ser por lo menos 55°C (130°F). Para evitar daños al lavavajillas, la temperatura del agua de entrada no debe exceder los 71°C (160°F).



Conexión de su lavavajillas

Su lavavajillas viene equipado con 'conector rápido' (incluye las mangueras de entrada y salida). Debe instalar el adaptador de grifo en el grifo antes de conectar el lavavajillas. Este adaptador viene incluido dentro de su lavavajillas. El adaptador es compatible con grifos del tipo macho (rosca externa) o hembra (rosca interna).

- Atornille el adaptador de grifo en el grifo de la pileta. Verifique que no hayan pérdidas (si es necesario, use cinta de Teflón).
- Conecte el conector hexagonal de la manguera de drenaje al puerto de drenaje de la parte posterior del lavavajillas, no lo ajuste de más (para evitar dañar la rosca).
- Conecte el conector estrellado de la manguera de alimentación a la válvula de entrada de la parte posterior del lavavajillas, no lo ajuste de más (para evitar dañar la rosca).
- Conecte la conexión circular de la manguera de drenaje al conector más largo (inferior) del conector rápido.
- Conecte la conexión circular de la manguera de entrada al conector más corto (superior) del conector rápido.
- Coloque el conector rápido al adaptador para grifo jalando hacia abajo el collar exterior del conector rápido mientras que lo empuja hacia arriba para insertarlo en el adaptador del grifo.
- Una vez que el conector rápido quede conectado al adaptador del grifo, suelte el collar de traba. Verifique que quede bien conectado.
- Abra lentamente el paso del agua caliente y verifique que no haya ninguna pérdida en ninguna de las mangueras. Si encuentra pérdidas, cierre inmediatamente el paso del agua y repare las conexiones.



! IMPORTANTE !

- Luego de abrir el paso del agua (incluso si la tierra inmediatamente después), la manguera de entrada quedará presurizada.
- Para liberar la presión del agua de la manguera de entrada (verifique que la entrada del agua -grifo- esté cerrado): Mantenga presionado el botón rojo de liberación de presión del conector rápido hasta que deje de circular agua.

! ADVERTENCIA !

SI NO LIBERA LA PRESIÓN DEL AGUA (ANTES DE DESCONECTAR EL CONECTOR RÁPIDO DEL GRIFO) PRODUCIRÁ UNA CONTRAPRESIÓN SOBRE EL ROCIADOR. LA TEMPERATURA DEL AGUA DE ENTRADA PUEDE SER MUY ALTA Y LA CONTRAPRESIÓN EN EL ROCIADOR PUEDE LLEGAR A CAUSAR QUEMADURAS GRAVES.

! PELIGRO !

NO PERMITA QUE LOS NIÑOS DESCONECTEN EL LAVAVAJILLAS; DEBE MANTENER UNA SUPERVISIÓN ESTRECHA DE LOS NIÑOS CERCA DEL ARTEFACTO.

NOTA: El agua dura afectará negativamente el rendimiento de su lavavajillas. El agua dura también contribuirá a la formación de depósitos de 'sarro' (película blanca) y/o depósitos minerales en la superficie de acero inoxidable de la cuba del lavavajillas y el elemento calefactor ubicado en la cubeta debajo de la rejilla removible del filtro. Para minimizar esas condiciones, le recomendamos usar o enjuagar periódicamente el interior del lavavajillas (vacío) con 1 taza de vinagre blanco por lo menos una vez por semana.

Desconexión del lavavajillas

- Cierre el paso del agua caliente en el grifo.
- Desconecte el cable de alimentación.
- Recuerde liberar la presión de agua dentro de la manguera de alimentación. Mantenga presionado el botón rojo de liberación de presión del conector rápido hasta que deje de circular agua.
- Desconecte la manguera con conector rápido jalando del collar exterior hacia abajo (liberando el conector rápido del adaptador para el grifo).

Carga del lavavajillas

Este lavavajillas está diseñado para recibir un juego

estándar de 4 piezas, que incluye lo siguiente:

- 4 platos grandes
- 4 platos para sopa
- 4 platos de postre
- 4 platitos
- 4 tazas
- 4 cucharitas
- 1 fuente ovalada
- 1 fuente pequeña
- 1 fuente
- 4 vasos
- 4 cucharas para sopa
- 4 tenedores
- 4 cuchillos
- 4 cucharas de postre
- 2 cucharones
- 1 tenedor para servir
- 1 cucharón para salsa

NOTA: Para facilitar la carga/descarga de platos grandes de la bandeja, podría tener que sacar provisoriamente la canasta para los cubiertos. Cuando termine con la carga/descarga, vuelva a colocar la canasta en su posición original.

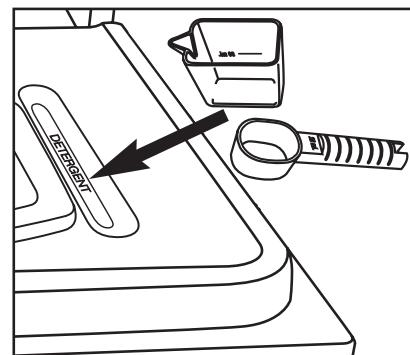
Preparación de la vajilla para lavar

- Saque todos los restos sólidos de comida de los platos.
- Saque el exceso de aceite o grasa.
- Vacíe el líquido de los vasos y tazas.
- Debe enjuagar bien toda la vajilla antes de colocarla dentro del lavavajillas.

Nota: Los platos con comida seca pegada son más difíciles de lavar y pueden no limpiarse completamente en un ciclo normal de lavado.

Uso del detergente correcto

Use únicamente detergente hecho especialmente para lavavajillas (otros tipos pueden causar espuma excesiva). Si su detergente es viejo o con grumos, deséchelo ya que el detergente viejo pierde su poder de limpieza y los grumos no se disolverán.



Cuánto detergente hay que usar

Depende de si su agua es 'dura' o 'blanda':

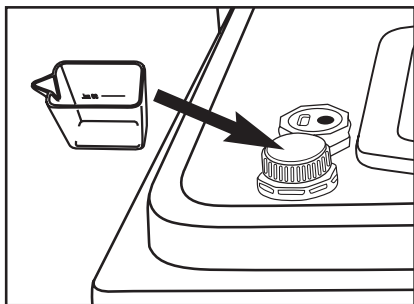
El agua dura requiere más detergente para limpiar la vajilla; el agua blanda requiere menos.

- El recipiente para detergente ubicado dentro del panel de la puerta tiene una capacidad aproximada de 20 gramos (0,7 oz. / 1/2 cucharada).

Uso de un agente de enjuague

Puede ayudar a evitar las manchas desagradables en la vajilla y los vasos y a reducir el tiempo de secado usando un agente de enjuague. Un agente de enjuague está especialmente formulado para enjuagar los residuos de comida y detergente que pueden quedar sobre la vajilla. Si lo usa regularmente, le proporcionará vajilla más limpia cada vez que lave.

- Para llenar el surtidor de agente de enjuague:
Desenrosque la tapa del surtidor ubicada en la parte interior de la puerta. Agregue lentamente el agente de enjuague dentro del recipiente hasta que llegue a la parte inferior de la tapa de llenado dentro de la abertura del surtidor. Vuelva a colocar la tapa. El surtidor le suministra automáticamente agente de enjuague al agua de enjuague del final del ciclo de lavado. El surtidor tiene una capacidad aproximada de 125 ml (4,3 oz. líquidas).



Programa de prelavado (P5)

El programa de prelavado es conveniente para permitirle enjuagar la vajilla si no tiene una carga completa para lavar (evitando que la comida se seque y adhiera a la superficie de la vajilla). No hace falta agregar detergente al lavavajillas durante el ciclo de prelavado, sin embargo (debido a la poca duración de este ciclo de sólo 6 minutos), asegúrese de que el agua de entrada esté caliente. Abra el grifo de agua caliente y deje que salga agua hasta que esté bien caliente antes de conectar el lavavajillas.

¡ IMPORTANTE !

Su lavavajillas no es un 'tritador' de desperdicios, limpie los restos de comida antes de poner los platos en el lavavajillas.

Uso de lavado intensivo (P1)

El lavado intensivo le permite lavar/secar vajilla con agua muy caliente. Al activarlo, este ciclo enciende el elemento calefactor que eleva y mantiene la temperatura del agua interior del lavavajillas a 69°C (156,2°F).

¡ CUIDADO !

El agua a esta alta temperatura puede causar quemaduras graves; por lo tanto, tenga mucho cuidado al abrir y/o acceder al lavavajillas durante los ciclos económico y normal, especialmente durante la etapa de enjuague.

Para activar esta función, presione el botón de programa hasta que aparezca "P1" (lavado intensivo) en la pantalla.

- Presione el botón de arranque y el programa de lavado intensivo comenzará ("P1" permanecerá en la pantalla, y comenzará a parpadear cuando haya terminado).

¡ IMPORTANTE !

Para que el sistema de drenaje funcione correctamente, la altura máxima entre la conexión rápida del grifo y la base del lavavajillas no debe ser de más de 15 cm (6 pulgadas).

Uso de lavado económico (P4)

El programa económico le brinda la opción de lavar la vajilla a la temperatura normal del agua de entrada (normalmente entre 54,4°C y 60°C / 130°F y 140°F). Cuando se activa, el programa económico desactiva el elemento calefactor del lavavajillas. Para activar el programa económico:

- Presione el botón de programa del panel de control hasta que aparezca "P4" en la pantalla.
- Presione el botón de pausa/arranque y el programa de lavado económico comenzará ("P4" permanecerá en la pantalla, y comenzará a parpadear cuando haya terminado).

¡ IMPORTANTE !

La vajilla tardará más en secarse luego de usar el programa económico. La vajilla se seca únicamente por convección. Para acelerar el tiempo de secado, le sugerimos que deje parcialmente abierta la puerta del lavavajillas cuando el programa haya terminado. Esto permitirá que la humedad salga de adentro del lavavajillas. Presione el botón para abrir la puerta y la puerta se abrirá hasta una posición predeterminada de secado por convección.

Para usar el lavavajillas;

1. Conecte la manguera de conexión rápida al grifo.
2. Presione el botón para abrir la puerta.
3. Verifique que el filtro esté bien colocado en su lugar.
4. Coloque la vajilla en el estante y los cubiertos en la canasta.
5. Verifique que el brazo rociador pueda girar libremente moviéndolo lentamente en sentido horario.
6. Llene el recipiente para detergente (ubicado en la hendidura de la parte interna de la puerta) con hasta 12 gramos de detergente.

NOTA: Si usa únicamente el ciclo de prelavado, no necesita agregar detergente.

7. Cierre firmemente la puerta.
8. Abra el grifo de agua caliente.
9. Presione el botón de encendido.
Botón de encendido hacia adentro = encendido
Botón de encendido hacia fuera = apagado
La luz indicadora (ubicada justo arriba del botón de encendido) se encenderá, confirmando que el lavavajillas recibe energía eléctrica.
10. Presione el botón de programa hasta que aparezca el código de programa deseado en la pantalla.
Los códigos de programa son:
P1, lavado intensivo
P2, lavado normal
P3, lavado rápido
P4, lavado económico
P5, prelavado

11. Presione el botón de arranque/pausa para comenzar con el programa de lavado seleccionado. La pantalla mostrará el código de programa parpadeando a lo largo del ciclo. Al final del ciclo, el lavavajillas se detendrá. Luego de 10 minutos, la pantalla dejará de mostrar el código de programa y se apagará. Usted puede seleccionar otro programa durante el funcionamiento presionando el botón de pausa/arranque, luego presionando el botón de programa (hasta que el código del programa deseado aparezca en la pantalla), y luego presionando nuevamente el botón de pausa/arranque para confirmar su selección. El lavavajillas volverá a arrancar y comenzará con el ciclo de lavado seleccionado.

Nota: Por motivos de seguridad, el lavavajillas está diseñado para detenerse en caso de que la puerta se abra en medio de un ciclo.

IMPORTANTE: Al terminar el lavado, presione el botón para abrir la puerta y deje reposar el lavavajillas durante quince minutos. Esto permite que la vajilla se enfríe ya que podría estar demasiado caliente para tocarla inmediatamente después de lavado.

12. Luego de vaciar el lavavajillas saque la rejilla metálica del filtro (ubicada en el fondo de la cuba del lavavajillas) y enjuague cualquier resto de comida que pudiera haber quedado, luego vuelva a colocar la en su lugar.

NOTA: Al principio de todos los ciclos, el lavavajillas empieza en modo drenaje. Hace esto ya que la bomba de drenaje siempre retiene una pequeña cantidad de agua del ciclo anterior. Esto es necesario para mantener la bomba cebada; por lo tanto, no se alarme si ve una pequeña cantidad de agua saliendo por la manguera de drenaje antes de comenzar el ciclo de lavado. (Esto es normal).

Lavado intensivo (P1)

Temperatura del agua: Lavado 54°C (129,2°F) /

Duración del programa: 125 minutos

Consumo de agua: 10,4 L (22 pintas)

Lavado normal (P2)

Temperatura del agua: Lavado 52°C (125,6°F) /
Enjuague 67°C (152,6°F)

Duración del programa: 130 minutos

Consumo de agua: 10,4 L (22 pintas)

Lavado rápido (P3)

Temperatura del agua: Lavado 49°C (120,2°F) /
Enjuague 55°C (131°F)

Duración del programa: 70 minutos

Consumo de agua: 9,6 L (20,3 pintas)

Lavado económico (P4)

Temperatura del agua: Lavado 54°C (129,2°F) /
Enjuague 69°C (156,2°F)

Duración del programa: 120 minutos

Consumo de agua: 10,4 L (22 pintas)

Prelavado (P5)

Temperatura del agua: Agua de entrada
(Temperatura del tanque)

Duración del programa: 12 minutos

Consumo de agua: 5,4 L (11,4 pintas)

Nota: Los tiempos de lavado pueden variar dependiendo de la temperatura del agua de entrada y de la temperatura relativa del ambiente.

Problemas comunes de lavavajillas y sus soluciones

PROBLEMA	POSIBLE CAUSA	SOLUCIÓN
El lavavajillas no arranca.	<ul style="list-style-type: none"> • La unidad no recibe energía eléctrica. 	<ul style="list-style-type: none"> • Verifique la conexión eléctrica (fusible/interruptor).
	<ul style="list-style-type: none"> • La puerta no está trabada. 	<ul style="list-style-type: none"> • Cierre y trabe la puerta.
	<ul style="list-style-type: none"> • La unidad no está nivelada. 	<ul style="list-style-type: none"> • Nivele la unidad.
La vajilla no se limpia.	<ul style="list-style-type: none"> • Carga incorrecta. 	<ul style="list-style-type: none"> • Acomode la vajilla para que el rociador llegue a todas las superficies. • No sobrecargue la unidad.
	<ul style="list-style-type: none"> • El brazo rociador no gira libremente. 	<ul style="list-style-type: none"> • Verifique que nada (por ejemplo cubiertos) obstruya la rotación del brazo giratorio. • Verifique si la rejilla del filtro se salió de su lugar y obstruye la rotación del brazo.
	<ul style="list-style-type: none"> • Detergente insuficiente o inadecuado. 	<ul style="list-style-type: none"> • Use más detergente para lavavajillas. • No use detergente duro o con grumos. • Use únicamente un detergente recomendado para lavavajillas.
	<ul style="list-style-type: none"> • Vajilla preparada inadecuadamente. 	<ul style="list-style-type: none"> • Debe quitar el exceso de comida y líquidos de la vajilla antes de ponerla en la unidad.
	<ul style="list-style-type: none"> • Manguera de entrada de agua retorcida debido a una mala instalación. 	<ul style="list-style-type: none"> • Elimine las torceduras de la manguera de entrada.
	<ul style="list-style-type: none"> • Carga inadecuada de la vajillas. 	<ul style="list-style-type: none"> • No sobrecargue el estante para vajilla. Coloque los vasos únicamente en el estante superior, no los coloque en el estante de los platos. Los platos colocados en el estante no están bien acomodados y se pueden dañar.
Queda agua en el fondo del lavavajillas.	<ul style="list-style-type: none"> • Una pequeña cantidad de agua es normal (en el sumidero). 	<ul style="list-style-type: none"> • Esto es necesario para mantener cebada la bomba, y se drena automáticamente al principio de cada ciclo.
	<ul style="list-style-type: none"> • Mucha cantidad de agua, no se completó el ciclo. 	<ul style="list-style-type: none"> • Deje que la unidad termine un ciclo completo.



Model • Modèle • Modelo
DDW497W

For service, contact your nearest service depot or call:

1-800-26- Danby®
(1-800-263-2629)

to recommend a depot in your area.

Pour obtenir de l'assistance, communiquez avec votre centre de service le plus rapproché ou composez le :

1-800-26- Danby®
(1-800-263-2629)

pour localiser le dépositaire de votre région

Para reparaciones, llame a su centro de reparaciones más cercano o al:

1-800-26- Danby®
(1-800-263-2629)

para recomendarle un centro de reparaciones en su área.

Countertop Dishwasher

The model number can be found on the serial plate located on the back panel of the unit.

All repair parts available for purchase or special order when you visit your nearest service depot. To request service and/or the location of the service depot nearest you, call the TOLL FREE NUMBER.

When requesting service or ordering parts, always provide the following information:

- Product Type
- Model Number
- Part Description

Lave-vaisselle de comptoir

Le numéro de modèle se trouve sur la plaque signalétique au dos de l'unité.

Vous pouvez vous procurer/commander toute pièce de rechange chez votre dépositaire le plus rapproché. Pour toute demande de service ou pour localiser le dépositaire/centre de service le plus rapproché, composez le NUMÉRO SANS FRAIS.

Pour toute demande de service ou commande de pièces, fournissez toujours l'information suivante :

- Type de produit
- Numéro de modèle
- Description de la pièce requise

Lavavajillas para mesada

El número de modelo se encuentra en la placa ubicada en el panel posterior de la unidad.

Todas las partes de recambio pueden comprarse o encargarse especialmente en su taller de reparación autorizado. Para solicitar servicio y/o localizar el taller de servicio mas cercano, llame a nuestro NÚMERO SIN CARGO.

Proporcione siempre la siguiente información al solicitar servicio o al ordenar partes:

- Tipo de Producto
- Número de Modelo
- Descripción de la Parte