

Danby® *Designer*

- UPRIGHT FREEZER
- CONGÉLATEUR VERTICAL
- CONGELADOR VERTICAL

Owner's Use and Care Guide
Guide d'utilisation et soins de Propriétaire
Guía utilice y cuide del Propietario

Model • Modèle • Modelo
DUFM283WDD



CONTENTS

UPRIGHT FREEZER

Owner's Use and Care Guide 1-5

- Safety Instructions
- Installation Instructions
- Features
- Operating Instructions
- Care and Maintenance
- Troubleshooting
- Warranty

CONGÉLATEUR VERTICAL

Guide d'utiliser et soin de propriétaire 6-10

- Consignes de sécurité
- Consignes de Installation
- Caractéristiques
- Opération
- Soins et entretien
- Dépannage
- Garantie

CONGELADOR VERTICAL

Guía utilice y cuide del Propietario 11-15

- Instrucciones de Seguridad Importantes
- Instrucciones d'instalación
- Características
- Instrucciones Operadoras
- Limpieza y Mantenimiento
- Solución Sugerida
- Garantía



CAUTION

Read and follow all safety rules and operating instructions before first use of this product.



PRECAUTION

Veillez lire attentivement les consignes de sécurité et les instructions d'utilisation avant l'utilisation initiale de ce produit.



PRECAUCION

Lea y observe todas las reglas de seguridad y las instrucciones de operación antes de usar este producto por primera vez.

IMPORTANT SAFETY INFORMATION

READ ALL SAFETY INFORMATION BEFORE USING

ELECTRICAL REQUIREMENTS

This appliance must be grounded. In the event of an electrical short circuit, grounding reduces the risk of electrical shock by providing an escape wire for the electrical current.

This appliance is equipped with a cord having a grounding wire with a grounding plug. The plug must be plugged into an outlet that is properly installed and grounded.

WARNING

Improper use of the grounding plug can result in a risk of electric shock. Consult a qualified electrician or serviceman if the grounding instructions are not completely understood, or if doubt exists as to whether the appliance is properly grounded.

DO NOT USE AN EXTENSION CORD

Use an exclusive wall outlet. Do not connect your freezer to extension cords or together with any other appliance in the same wall outlet. Do not splice the cord.

IMPORTANT WARNING: An empty freezer is a very dangerous attraction to children. Remove either the gasket, latches, lids or doors from unused appliances, or take some other action that will guarantee it harmless.

DANGER: Risk of Child Entrapment! Before you throw away your old refrigerator/freezer:

- Take off the doors.
- Leave the shelves in place so that children may not easily climb inside.

DON'T WAIT! DO IT NOW!

SAVE THESE INSTRUCTIONS

INSTALLATION INSTRUCTIONS

LOCATION

Remove exterior and interior packaging, wipe the outside thoroughly with a soft dry cloth and the inside with a wet, luke-warm cloth. Avoid placing the unit in a narrow recess or near any heat source, direct sunlight, or moisture. Let air circulate freely around the unit. Keep the rear of the refrigerator 5 inches away from the wall.

Location

- 1) Select a place with a level floor.
- 2) Allow 5 inches of space between the back of the refrigerator and any adjacent wall.
- 3) Avoid direct sunlight and heat. Direct sunlight may affect the acrylic coating. Heat sources nearby will cause higher electricity consumption.
- 4) Avoid damp places. Too much moisture in the air will cause frost to form very quickly on the evaporator, and your refrigerator will have to be defrosted more frequently.

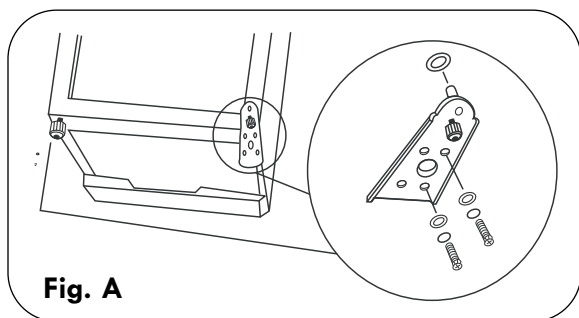
INSTALLATION INSTRUCTIONS

DOOR REVERSAL INSTRUCTIONS

CAUTION

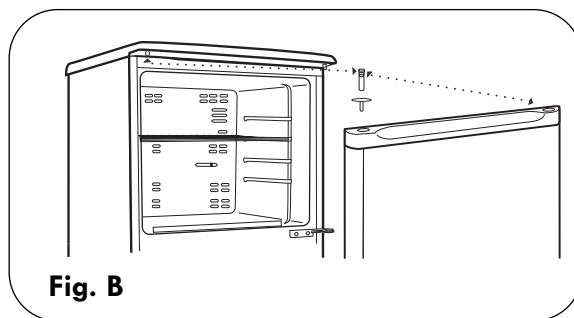
To avoid personal injury to yourself and/or property, we recommend someone assist you during the door reversal process.

- 1) To access the lower hinge assembly, tilt back the freezer cabinet or lay the freezer on its back. **(Fig.A)**
- 2) Remove both leveling legs located at the front of the cabinet.
- 3) Remove the screws holding the lower hinge assembly to the cabinet.
- 4) Remove the main door assembly from the freezer cabinet (lift door slightly and pull downward).
- 5) Using a flat head screwdriver, remove the main door top hinge pin. **(Fig.B)**
- 6) Re-install the main door top hinge pin on the opposite side of the cabinet.



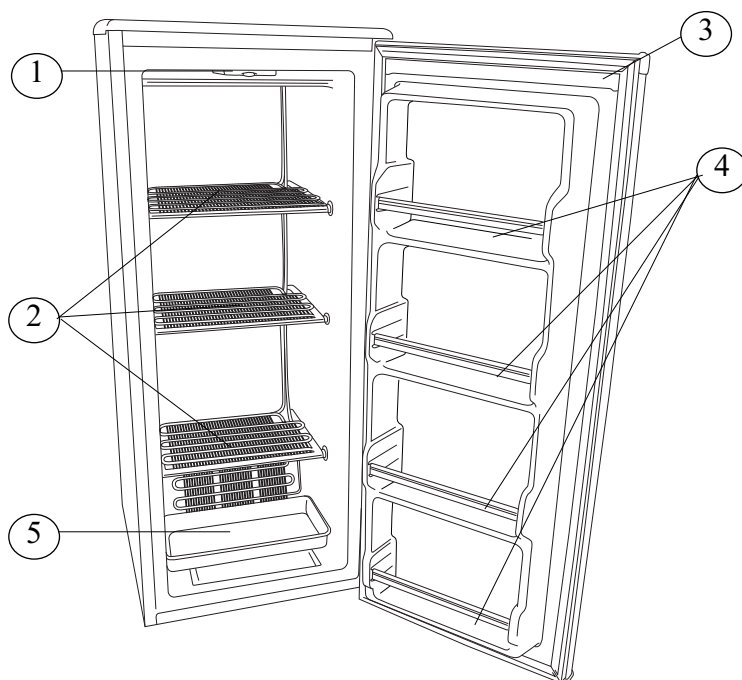
If you find the direction of opening the door on your appliance inconvenient, you can change it by following the steps shown in the below diagrams.

- 7a) Remove the door plug and door bushing located on the top of the main door.
- 7b) Interchange their positions (eg. door plug right side, door bushing left side).
- 8) Re-install main door assembly on cabinet.
- 9) Remove door bushing (bottom door) and install on opposite side.
- 10) Re-install the lower hinge assembly on the opposite side.
- 11) Make sure the door assembly is properly aligned on the cabinet before tightening lower hinge screws.
- 12) Re-install both leveling legs. The process is now complete.



FEATURES

- 1) **THERMOSTAT DIAL:** For controlling the temperature inside the freezer. Turns the motor on as soon as the temperature rises above the desired level.
- 2) **REFRIGERATED SHELVES:** 3 full width refrigerated shelves.
- 3) **MAGNETIC GASKET:** Tight fitting door seal keeps all the cooling power locked inside. No hooks or latches.
- 4) **DOOR BINS (4)**
- 5) **DRIP TRAY**



OPERATING INSTRUCTIONS

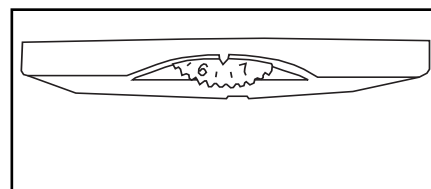
TEMPERATURE SELECTION

To avoid vibration, the unit must be set level. This is accomplished by adjusting the (1) front leveling leg located under the refrigerator. The temperature of the refrigerator is controlled by setting the thermostat knob to a desired setting. To start the freezer, turn the temperature control to the position corresponding to the desired cooling.

0 = No Cooling
3, 4 = Medium Cooling

1= Minimum Cooling
MAX= Maximum Cooling

The freezer temperature will vary depending on the quantity of the food stored and on the frequency with which the door is opened.



Maximum Cooling

CARE AND MAINTENANCE

DEFROSTING

Defrost and clean your freezer when frost has built up to about 1 1/4" (6mm) thickness. Complete defrosting and cleaning should be done at least once a year. In high humidity areas, a freezer may need more frequent defrosting and cleaning.

IMPORTANT: Do not use an ice pick, knife or other sharp-pointed tool to defrost freezer. Damage can occur.

- 1) Turn temperature control to '0'(off) and unplug power cord.
- 2) Remove all frozen food. Wrap frozen food in several layers of newspaper and cover with a blanket. Food will stay frozen for several hours **OR** store frozen food in a cooler, additional refrigerator-freezer or in a cool area.
- 3) Place pans of hot water in freezer with door open to speed melting. Directing air from an electric fan into freezer will also help. Do not place fan in freezer.
- 4) Remove frost.
- 5) Wipe water from walls and bottom of freezer with a towel or sponge.
- 6) Wash inside walls.
- 7) Rinse and dry thoroughly.
- 8) Replace all frozen food.
- 9) Plug in power cord and refer to "Operation."

CLEANING

To clean the inside, use a soft cloth and a mixture of one tablespoon of baking soda to one quart of water. Other cleaning options are a mild soap suds solution, or mild detergent. Wash glass shelves in a mild detergent solution, then dry and wipe with a soft cloth. Clean the outside with a soft damp cloth and some mild detergent or appliance cleaner.

VACATION TIME

For short vacation periods, leave the control knob at its normal setting. During longer absences:

- (a) remove all foods.
- (b) disconnect power cord from electrical outlet.
- (c) clean the refrigerator thoroughly, including drip tray (defrost pan), located on the bottom of the unit.
- (d) leave door open to avoid possible formations of condensate, mold or odors.

POWER FAILURE

Most power failures are corrected within an hour or two and will not affect your refrigerator temperatures. However, you should minimize the number of door openings while the power is off. During power failures of longer duration, take steps to protect your food by placing dry ice on top of packages.

IF YOU MOVE

Remove or securely fasten down all loose items inside the unit. To avoid damaging the leveling legs, turn them all the way into the base.

Some Important Rules for the Correct Use of the Refrigerator

- Never place hot foods in the refrigerator.
- Never place spoiled foods in the unit.
- Don't overload the unit.
- Don't open the door unless necessary.
- Should the refrigerator be stored without use for long periods, it is suggested, after a careful cleaning, to leave the door ajar to allow the air to circulate inside the unit in order to avoid the possibility of condensation, mold or odors.

TROUBLESHOOTING

Occasionally, a problem is minor and a service call may not be necessary- use this troubleshooting guide for a possible solution. If the unit continues to operate improperly, call an authorized service depot or **Danby's Toll Free Number 1-800-263-2629** for assistance.

PROBLEM	POSSIBLE CAUSE	POSSIBLE SOLUTION
1) Does not work.	<ul style="list-style-type: none"> • No power to unit. • Power cord is unplugged. • Wrong voltage is being used. 	<ul style="list-style-type: none"> • Check connection of power cord to power source. • Plug in unit. • Use proper voltage.
2) Freezer runs continuously.	<ul style="list-style-type: none"> • Temperature set too low. • Lid is not closed. • Hot food inserted. • Lid opened too long or too often. • Close proximity to heat source or direct sunlight. 	<ul style="list-style-type: none"> • Lower temperature control. • Close lid securely. • Be sure food is at room temperature before inserting. • Minimize lid openings/ duration. • Do not place unit close to heat sources or direct sunlight.
3) Internal temperature not cold enough.	<ul style="list-style-type: none"> • No power to unit. • Power cord is unplugged. • Temperature set too high. • Lid is not closed. • Hot food inserted. • Lid opened too long or too often. • Air flow obstruction. • Wrong voltage is being used. • Close proximity to heat source or direct sunlight. 	<ul style="list-style-type: none"> • Check connection of power cord to power source. • Plug in unit. • Check setting and increase as needed. • Close lid securely. • Be sure that food is at room temperature. • Minimize lid openings/ duration. • Allow room for air to circulate around unit. • Use proper voltage. • Do not place unit close to heat sources or direct sunlight.



LIMITED IN-HOME APPLIANCE WARRANTY

This quality product is warranted to be free from manufacturer's defects in material and workmanship, provided that the unit is used under the normal operating conditions intended by the manufacturer.

This warranty is available only to the person to whom the unit was originally sold by Danby Products Limited (Canada) or Danby Products Inc. (U.S.A.) (hereafter "Danby") or by an authorized distributor of Danby, and is non-transferable.

TERMS OF WARRANTY

Plastic parts, are warranted for thirty (30) days only from purchase date, with no extensions provided.

First 18 Months During the first eighteen (18) months, any functional parts of this product found to be defective, will be repaired or replaced, at warrantor's option, at no charge to the ORIGINAL purchaser.

To obtain Service Danby reserves the right to limit the boundaries of "In Home Service" to the proximity of an Authorized Service Depot. Any appliance requiring service outside the limited boundaries of "In Home Service", it will be the consumer's responsibility to transport the appliance (at their own expense) to the original retailer (point of purchase) or a service depot for repair. See "Boundaries of In Home Service" below. Contact your dealer from whom your unit was purchased, or contact your nearest authorized Danby service depot, where service must be performed by a qualified service technician.

If service is performed on the unit by anyone other than an authorized service depot, or the unit is used for commercial application, all obligations of Danby under this warranty shall be void.

Boundaries of In Home Service If the appliance is installed in a location that is 100 kilometers (62 miles) or more from the nearest service center your unit must be delivered to the nearest authorized Danby Service Depot, as service must only be performed by a technician qualified and certified for warranty service by Danby. Transportation charges to and from the service location are not protected by this warranty and are the responsibility of the purchaser.

Nothing within this warranty shall imply that Danby will be responsible or liable for any spoilage or damage to food or other contents of this appliance, whether due to any defect of the appliance, or its use, whether proper or improper.

EXCLUSIONS

Save as herein provided, Danby, there are no other warranties, conditions, representations or guarantees, express or implied, made or intended by Danby or its authorized distributors and all other warranties, conditions, representations or guarantees, including any warranties, conditions, representations or guarantees under any Sale of Goods Act or like legislation or statute is hereby expressly excluded. Save as herein provided, Danby shall not be responsible for any damages to persons or property, including the unit itself, howsoever caused or any consequential damages arising from the malfunction of the unit and by the purchase of the unit, the purchaser does hereby agree to indemnify and hold harmless Danby from any claim for damages to persons or property caused by the unit.

GENERAL PROVISIONS

No warranty or insurance herein contained or set out shall apply when damage or repair is caused by any of the following:

- 1) Power failure.
- 2) Damage in transit or when moving the appliance.
- 3) Improper power supply such as low voltage, defective house wiring or inadequate fuses.
- 4) Accident, alteration, abuse or misuse of the appliance such as inadequate air circulation in the room or abnormal operating conditions (extremely high or low room temperature).
- 5) Use for commercial or industrial purposes (ie. If the appliance is not installed in a domestic residence).
- 6) Fire, water damage, theft, war, riot, hostility, acts of God such as hurricanes, floods etc.
- 7) Service calls resulting in customer education.
- 8) Improper Installation (ie. Building-in of a free standing appliance or using an appliance outdoors that is not approved for outdoor application).

Proof of purchase date will be required for warranty claims; so, please retain bills of sale. In the event warranty service is required, present this document to our AUTHORIZED SERVICE DEPOT.

Warranty Service
In-home

Danby Products Limited
PO Box 1778, Guelph, Ontario, Canada N1H 6Z9
Telephone: (519) 837-0920 FAX: (519) 837-0449

1-800-263-2629

Danby Products Inc.
PO Box 669, Findlay, Ohio, U.S.A. 45840
Telephone: (419) 425-8627 FAX: (419) 425-8629

CONSIGNES DE SÉCURITÉ IMPORTANT

LISEZ TOUTES LES INFORMATIONS DE SÉCURITÉ AVANT DE FAIRE FONCTIONNER L'APPAREIL

CONDITIONS ÉLECTRIQUES

Cet appareil doit être mis à la terre. En cas de court-circuit, la mise à la terre réduit les risques de décharge électrique en fournissant un échappatoire au courant électrique.

L'appareil est muni d'un cordon électrique comprenant un fil de mise à la terre et une fiche de terre. Branchez la fiche dans une prise de courant correctement installée et mise à la terre.

AVERTISSEMENT

Consultez un électricien ou un technicien qualifié si vous ne comprenez pas bien les instructions de mise à la terre ou si vous avez un doute quelconque sur la bonne mise à la terre de l'appareil.

N'UTILISER JAMAIS DE FIL DE RALLONGE: S'il est possible, brancher le congélateur à son propre circuit. Ainsi, les autres appareils ou la surcharge des lampes du domicile ne peuvent pas surcharger et interrompre le courant électrique. Une connexion desserrée peut se doubler à un autre appareil dans la même prise murale.

PRÉCAUTION IMPORTANTE: Un congélateur est une attraction dangereuse aux enfants. Enlever les joints étanches, les loquets, les couvercles ou les portes des appareils qui ne sont pas utilisés, ou faites de sorte que l'appareil ne présente aucun danger.

DANGER: Risque des enfants deviennent coincés dans l'appareil. Avant de jeter votre ancien congélateur.

- Enlevez les portes.
- Laissez les étagères à ses places afin que des enfants ne puissent pas monter facilement dans l'appareil.

N'ATTENDEZ PAS! FAITES-LE IMMÉDIATEMENT!

SAUVEGARDE CES INSTRUCTIONS

CONSIGNES D'INSTALLATION

EMPLACEMENT

Enlevez les emballages extérieurs et intérieurs. Essuyez complètement l'extérieur avec un linge doux sec et l'intérieur avec un linge humide tiède. Il ne faut jamais situer l'appareil dans un recoin étroit, proche d'une source d'air chaud. L'air doit circuler à l'entour de l'appareil. Eloigner le congélateur au moins 5 pouces du mur.

- 1) Choisir une place qui a un plancher à niveau.
- 2) Éloigner l'appareil de 5 pouces des murs arrière et de côté.
- 3) Éviter les rayons de soleil et la chaleur directs qui peuvent affecter la surface en acrylique. Les sources de chaleur rapprochées augmentent la consommation d'énergie.
- 4) Éviter les endroits très humides. L'humidité élevée dans l'air occasionne la formation rapide de gèle sur l'évaporateur et le réfrigérateur. Le réfrigérateur devra être dégivré fréquemment.

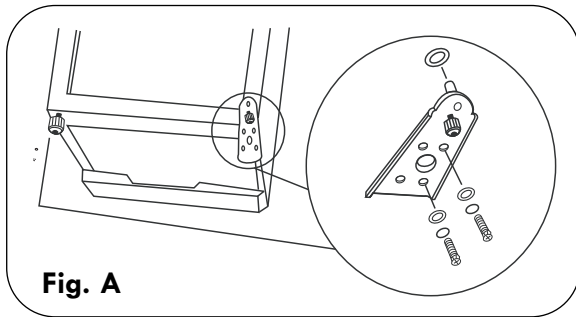
CONSIGNES D'INSTALLATION

INSTRUCTIONS DE PORTE RÉVERSIBLE

ATTENTION:

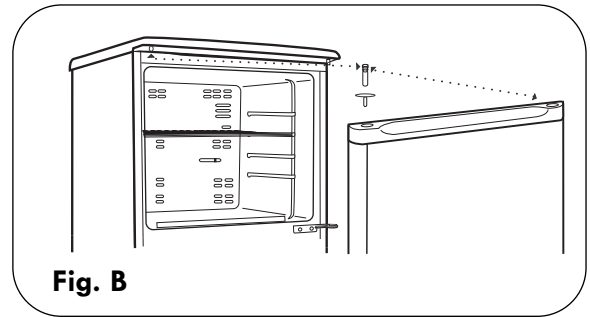
Pour éviter de se blesser ou endommager l'appareil, on vous recommande d'avoir quelqu'un vous aide pendant ce processus.

- 1) Pour accéder le montage de la charnière inférieure, incliner le congélateur ou mettre le congélateur sur son derrière. (Fig.A)
- 2) Enlever les deux pieds de nivellement sur le devant de congélateur.
- 3) Enlever les vis qui joignent le montage de la charnière inférieure au réfrigérateur.
- 4) Enlevez l'assemblage de la porte principale du congélateur (soulevez légèrement la porte et tirez vers le bas).
- 5) Enlever (dévisser) le goujon de charnière du dessus de porte principale. (Fig.B)
- 6) Réinstaller le goujon de charnière du dessus de porte principale sur le côté opposé de congélateur.
- 7a) Enlever le couvercle de goujon et le coussinet de porte qui sont en dessus de montage de la porte principale.



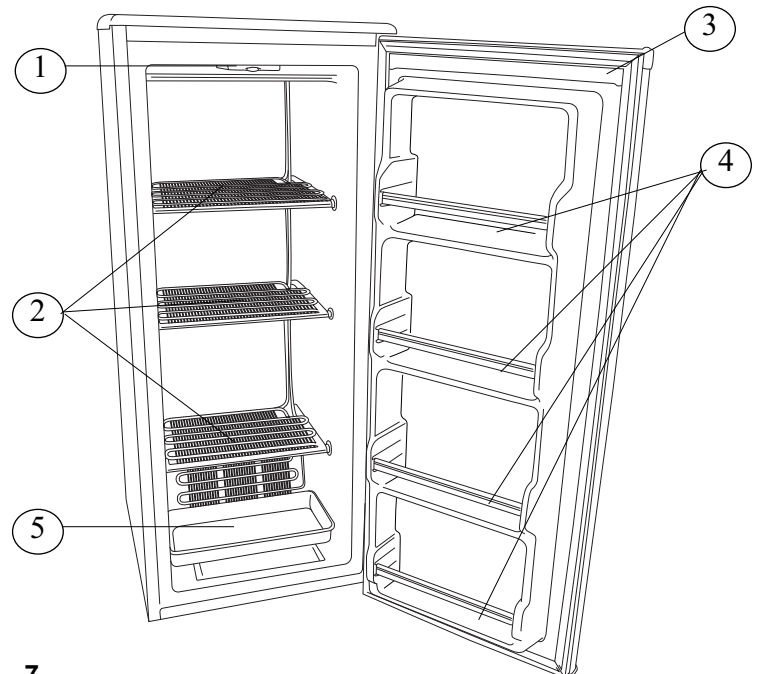
Si vous trouvez que la direction de l'ouverture de la porte de votre congélateur est inconvenue, elle peut être changée. Des trous qui se trouvent sur le côté opposé de la porte ont été percés à l'usine.

- 7b) Changer de place (mettre le couvercle de goujon à côté droit et le coussinet de porte à côté gauche).
- 8) Réinstaller le montage de la porte principale sur le congélateur.
- 9) Enlever le coussinet de porte (porte du dessous) et installer sur le côté opposé.
- 10) Réinstaller le montage de la charnière inférieure sur le côté opposé.
- 11) S'assurer que le montage de la porte est bien aligné sur le congélateur avant de resserrer les vis de charnière inférieure.
- 12) Réinstaller les deux pieds de nivellement. Le processus est complet.



CARACTERISTIQUES

- 1) **CADRAN DU THERMOSTAT:** Pour contrôler la température à l'intérieur du congélateur. Met le moteur en marche dès que la température dépasse le niveau désiré.
- 2) **TABLETTES DE CONGÉLATION:** 3 tablettes de congélation pleine grandeur.
- 3) **JOINT ÉTANCHE MAGNÉTIQUE:** Les joints étanches.
- 4) **ÉTAGÈRES DE PORTE (4)**
- 5) **PLATEAU D'ÉGOUTTAGE**



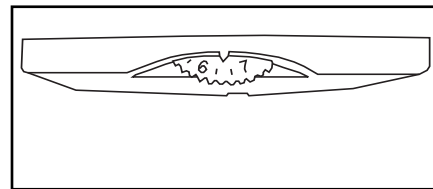
OPÉRATION

CHOIX DE LA TEMPÉRATURE:

Pour éviter la vibration, l'appareil doit être absolument horizontal. Les deux premiers pieds de nivellement au-dessous de congélateur peuvent être ajuster. Pour mettre le congélateur en marche, tourner la commande de température jusqu'au refroidissement désiré.

- 0 = Pas de refroidissement
- 1= Refroidissement minimum
- 3, 4 = Refroidissement moyen
- MAX = Refroidissement maximum

Le température de congélateur variera dépendant de la quantité de nourriture et la fréquence avec la quelle la porte est ouverte. Le température de congélateur variera dépendant de la quantité de nourriture et la fréquence avec laquelle la porte est ouverte.



Refroidissement Maximum

SOINS ET ENTRETIEN

DÉGIVRAGE

Faites décongeler et nettoyez votre congélateur lorsque le givre s'est accumulé à une épaisseur d'environ 1/4po (6mm). La décongélation et le nettoyage complet devraient être effectués au moins une fois par année.

Dans un environnement ayant un taux d'humidité élevé, un congélateur peut devoir être décongelé et nettoyé plus fréquemment. **IMPORTANT:** N'utilisez pas de pic à glace, couteau ou d'autres outils pointus pour décongeler le congélateur. Le congélateur pourrait être endommagé.

- 1) Tournez le bouton de contrôle du congélateur à «0» (arrêt) et débranchez le cordon d'alimentation
- 2) Enlevez tous les aliments congelés. Enveloppez les aliments congelés avec plusieurs épaisseurs ou avec du papier journal et recouvrez avec une couverture. Les aliments resteront congelés pendant plusieurs heures OU entreposez les aliments congelés dans une glacière, un combiné réfrigérateur-congélateur ou dans un endroit froid.
- 3) Placez un chaudron d'eau chaude dans le congélateur avec la porte ouverte pour accélérer la fonte. Envoyez de l'air à partir d'un ventilateur électrique dans le congélateur aidera aussi. Ne placez pas le ventilateur dans le congélateur.
- 4) Enlevez le givre
- 5) Essuyez l'eau qui est sur les murs et le fond du congélateur avec une serviette ou une éponge.
- 6) Lavez les murs intérieurs
- 7) Rincez et séchez complètement.
- 8) Remplacez toute la nourriture congelée.
- 9) Branchez le cordon d'alimentation et référez-vous à « fonctionnement ».

DÉMÉNAGEMENT

Enlever ou immobiliser toutes les pièces amovibles (c'-à-d; les clayettes) à l'intérieur du congélateur. Serrer les vis à niveaulement à la base afin de ne pas les endommager.

PANNE D'ÉLECTRICITÉ

La plupart des pannes d'électricité sont corrigées dans un délai d'une heure et n'ont pas d'effets sur la température du congélateur. Il est nécessaire de réduire le nombre d'ouverture de la porte pendant une panne. Pendant les pannes qui durent plus qu'une heure, protéger vos aliments en déposant un bloc de glace sèche par-dessus les emballages. Si la glace n'est pas disponible, essayer d'utiliser temporairement de l'espace de votre entrepôt à froid régional.

ENTRETIEN

Pour nettoyer l'intérieur, utilisez un chiffon doux et une solution composée d'une pinte d'eau et d'une cuillerée à soupe de poudre à pâte. Comme autre solution de nettoyage, utilisez une solution comportant un savon ou un détergent doux. Lavez les tablettes en verre à l'aide d'une solution comportant un détergent doux; séchez les tablettes et essuyez-les à l'aide d'un chiffon doux. Nettoyez l'extérieur à l'aide d'un chiffon humide doux et d'un peu de détergent doux ou d'un produit de nettoyage des appareils électroménagers.

SOINS ET ENTRETIEN

PENDANT LES VACANCES

Si vous prenez une vacance de courte durée, laissez le bouton de commande à son réglage normal. Si l'absence doit durer longtemps,

- (a) enlever tous les aliments.
- (b) débranchez l'appareil de la prise murale.
- (c) Nettoyez le réfrigérateur complètement, en incluant le plateau d'égouttage (bac de décongélation) situé dans le bas de l'appareil.
- (d) Laissez la porte ouverte pour éviter les mauvais odeurs.

Importantes consignes de sécurité pour l'utilisation du réfrigérateur

- Ne jamais ranger d'aliments chauds dans le réfrigérateur.
- Ne jamais surcharger l'appareil.
- Ouvrir la porte seulement si nécessaire.
- Pour un rangement prolongé de l'appareil, il est suggéré de laver l'appareil, de laisser la porte ouverte afin de fournir une circulation d'air à l'intérieur du meuble et d'éviter le développement de condensation, de moisissures et d'odeurs.

DÉPANNAGE

De temps en temps, un problème est mineur et un appel de service peut ne pas être nécessaire. Utilisez ce guide de dépannage pour trouver une solution possible. Si l'unité continue de fonctionner incorrectement, appelez un dépôt de service autorisé ou le **numéro sans frais** pour obtenir de l'assistance. **Tel: 1-866-726-1150**

PROBLEME	CAUSE PROBABLE	SOLUTION
1) Ne fonctionne pas.	<ul style="list-style-type: none">• Pas de tension à l'unité.• Le cordon d'alimentation est débranché.• Le mauvais voltage est utilisé.	<ul style="list-style-type: none">• Vérifiez la connexion du cordon d'alimentation.• Branchez l'appareil.• Utilisez le voltage approprié.
2) Le congélateur fonctionne sans arrêt.	<ul style="list-style-type: none">• La température est trop basse• La couvercle n'est pas fermée.• De la nourriture chaude a été insérée.• La couvercle est ouverte trop souvent/longtemps.• Proximité d'une source de chaleur ou source de soleil.	<ul style="list-style-type: none">• Baissez le contrôle de température.• Fermez la couvercle.• Assurez-vous que la nourriture est fraîche avant de la placer dans l'appareil.• Minimisez l'ouverture de la couvercle.• Ne placez pas l'appareil près d'une ou exposition directe aux rayons du soleil.
3) La température interne n'est pas assez froide.	<ul style="list-style-type: none">• Pas de tension à l'unité.• Le cordon d'alimentation est débranché.• Température trop élevée• La couvercle n'est pas fermée.• La nourriture est chaude.• La couvercle est ouverte trop souvent/longtemps.• Obstruction de la circulation de l'air.• Le mauvais voltage est utilisé.• Proximité d'une source de chaleur ou exposition directe aux rayons du soleil.	<ul style="list-style-type: none">• Vérifiez la connexion du cordon d'alimentation.• Branchez l'appareil.• Vérifiez le réglage et augmentez-le au besoin.• Fermez la couvercle.• Assurez-vous que la nourriture est fraîche avant de la placer dans l'appareil.• Minimisez l'ouverture de la couvercle.• Laissez l'air circuler dans la pièce autour de l'appareil.• Utilisez le voltage approprié.• Ne placez pas l'appareil près d'une ou exposition directe aux rayons du soleil.

GARANTIE LIMITÉE SUR APPAREIL ÉLECTROMÉNAGER À DOMICILE

Cet appareil de qualité est garanti exempt de tout vice de matière première et de fabrication, s'il est utilisé dans les conditions normales recommandées par le fabricant.

Cette garantie n'est offerte qu'à l'acheteur initial de l'appareil vendu par Danby Products Limited (Canada) ou Danby Products Inc. (E.- U. d'A) (ci-après "Danby") ou par l'un des ses distributeurs agréés et elle ne peut être transférée.

CONDITIONS

Les pièces en plastique sont garanties pour trente (30) jours seulement à partir de la date de l'achat, sans aucune prolongation prévue.

Première 18 mois Pendant les dix huit (18) mois, toutes pièces fonctionnelles de ce produit s'avèrent défectueuses, seront réparées ou remplacées, selon le choix du garant, sans frais à l'acheteur INITIAL.

Pour bénéficier du Service Le client sera responsable pour le transport et tous les frais d'expédition de tout appareil exigeant le service au dépôt de service autorisé le plus proche. S'adresser au détaillant qui a vendu l'appareil, ou à la station technique agréée de service la plus proche, où les réparations doivent être effectuées par un technicien qualifié. Si les réparations sont effectuées par quiconque autre que la station de service agréée où à des fins commerciales, toutes les obligations de Danby en vertu de cette garantie seront annulées.

Limites de l'entretien à domicile Si l'appareil est installé à plus de 100 kilomètres (62 milles) du centre de service le plus proche, il doit être livré à l'atelier de réparation autorisé par Danby le plus proche, car l'entretien doit uniquement être réalisé par un technicien qualifié et certifié pour effectuer un entretien couvert par la garantie de Danby. Les frais de transport entre votre domicile et le lieu de l'entretien ne sont pas couverts par la présente garantie et doivent être acquittés par l'acheteur.

Cette garantie indique en aucun temps la responsabilité de Danby de l'avarie ou dommage de la vin ou autre contenu, soit par les vices de l'appareil, ou soit par l'utilisation convenable ou inexacte.

EXCLUSIONS

En vertu de la présente, il n'existe aucune autre garantie, condition ou représentation, qu'elle soit exprimée ou tacite, de façon manifeste ou intentionnelle, par Danby ou ses distributeurs agréés. De même, sont exclues toutes les autres garanties, conditions ou représentations, y compris les garanties, conditions ou représentations en vertu de toute loi régissant la vente de produits ou de toute autre législation ou règlement semblables.

En vertu de la présente, Danby ne peut être tenue responsable en cas de blessures corporelles ou des dégâts matériels, y compris à l'appareil, quelle qu'en soit les causes. Danby ne peut pas être tenue responsable des dommages indirects dus au fonctionnement défectueux de l'appareil. En achetant l'appareil, l'acheteur accepte de mettre à couvert et de dégager Danby de toute responsabilité en cas de réclamation pour toute blessure corporelle ou tout dégât matériel causé par cet appareil.

CONDITIONS GÉNÉRALES

La garantie ou assurance ci-dessus ne s'applique pas si les dégâts ou réparations sont dus aux cas suivants:

- 1) Panne de courant.
- 2) Dommages subis pendant le transport ou le déplacement de l'appareil.
- 3) Alimentation électrique incorrecte (tension faible, câblage défectueux, fusibles incorrects).
- 4) Accident, modification, emploi abusif ou incorrect de l'appareil tel qu'une circulation d'air inadéquate dans la pièce ou des conditions de fonctionnement anormales (température extrêmement élevée ou basse).
- 5) Utilisation dans un but commercial ou industriel (à savoir, si l'appareil n'est pas installé dans un domicile résidentiel).
- 6) Incendie, dommages causés par l'eau, vol, guerre, émeute, hostilités, cas de force majeure (ouragan, inondation, etc.).
- 7) Visites d'un technicien pour expliquer le fonctionnement de l'appareil au propriétaire.
- 8) Installation inappropriée (par exemple, encastrement d'un appareil autoportant, ou utilisation extérieure d'un appareil non conçu à cet effet).

Une preuve d'achat doit être présentée pour toute demande de réparation sous garantie. Prière de garder le reçu. Pour faire honorer la garantie, présenter ce document à la station technique agréée ou s'adresser à:

Service sous-garantie
Service au domicile

INSTRUCCIONES DE SEGURIDAD IMPORTANTES

LEA TODAS LAS INSTRUCCIONES DE SEGURIDAD ANTES DE UTILIZARLA

REQUISITOS ELÉCTRICOS

Este artefacto debe ser conectado a tierra. En caso de un corto circuito eléctrico, la conexión a tierra reduce el riesgo de una descarga eléctrica proporcionando un cable de retorno para la corriente eléctrica.

Este artefacto viene con un cable de alimentación que tiene un conductor y pata del enchufe de tierra. Este cable debe enchufarse en un tomacorriente debidamente instalado y con conexión a tierra.

ADVERTENCIA

El uso inadecuado del enchufe de conexión a tierra puede resultar en un riesgo de choque eléctrico. Consulte con un electricista o persona de reparaciones competente si no comprende bien las instrucciones de conexión a tierra o si existe alguna duda sobre si el aparato está conectado a tierra correctamente.

NO USE UN CORDÓN DE PROLONGACIÓN ELÉCTRICA: Use un tomacorriente de pared exclusivo. No conecte su congelador a cordones de prolongación eléctrica o junto a cualquier otro electrodoméstico en el mismo tomacorriente de pared. No empalme cordón.

ADVERTENCIA IMPORTANTE: Un congelador vacío es una atracción muy peligrosa para los niños. Saque todas las juntas, pestillos, tapas o la puerta de todo electrodoméstico que no esté en uso, o tome alguna medida para asegurar que no presente peligro.

¡PELIGRO! Peligro de atraparse a los niños en la unidad. Antes de desechar su antiguo refrigerador o congelador:

- Quite las puertas.
- Deje las tablas en sus lugares exactos a fin de que los niños no puedan subir fácilmente a la unidad.

¡NO ESPERE, HÁGALO AHORA MISMO!

SAUVEGARDE CES INSTRUCTIONS

INSTRUCCIONES D'INSTALACIÓN

UBICACIÓN

Saque los embalajes exteriores e interiores, limpie el exterior bien con un paño suave seco y el interior con un paño húmedo y tibio. Evite colocar la caja en un hueco estrecho o cerca de una fuente de calor, luz de sol directa, o lugar húmedo. Deje que el aire circule libremente alrededor de la caja. Mantenga la parte posterior del refrigerador a 5 pulgadas de la pared.

Ubicación

- 1) Seleccione un lugar con un piso firme y nivelado.
- 2) Permita cinco pulgadas de espacio entre la parte posterior del refrigerador y toda pared contigua.
- 3) Evite luz directa del sol o calor. La luz directa del sol puede afectar la capa de acrílico. Las fuentes de calor en su proximidad causarán un consumo mayor de electricidad.
- 4) Evite lugares muy húmedos. Demasiada humedad en el aire hará que se acumule escarcha rápidamente en el evaporador y deberá descongelar su refrigerador con mucha frecuencia.

INSTRUCCIONES D'INSTALACIÓN

INSTRUCCIONES PARA CAMBIAR SENTIDO EN QUESE ABRE LAPUERTA

⚠ ADVERTENCIA

Para evitarse lesiones personales y daños a la propiedad, recomendamos que otra persona lo ayude durante el proceso de cambiar de sentido en que se abre la puerta.

- 1) Para lograr acceso a la unidad de bisagra inferior, incline el congelador hacia atrás, o tiéndalo sobre el dorso. (Fig.A)
- 2) Saque los dos pies graduables ubicados en la parte del antera del congelador.
- 3) Saque los tornillos que fija la unidad de la bisagra inferior al congelador.
- 4) Saque el conjunto de la puerta principal del gabinete del congelador. (Levante levemente la puerta y jale hacia abajo)
- 5) Saque (destornille) el eje de la bisagra superior de la puerta. (Fig.B)
- 6) Vuelva a instalar el eje de la bisagra superior en el lado o puesto del congelador.
- 7a) Saque el tapón de bisagra y el manguito de la puerta, ubicados en la parte superior de esta.

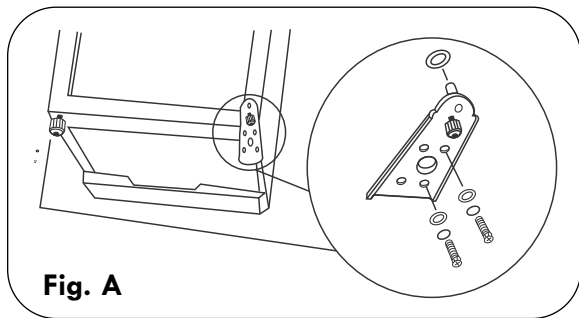


Fig. A

- 7b) Intercambie las posiciones (Es decir, el tapón dellado derecho de la puerta, el manguito del lado izquierdo de la puerta)
- 8) Vuelva a instalar la unidad de la puerta en el congelador.
- 9) Saque el manguito de la puerta (parte inferior de lapuerta), e instálelo en el lado opuesto.
- 10) Vuelva a instalar la unidad de bisagra inferior en el lado opuesto.
- 11) Antes de apretar los tornillos de la bisagra inferior, verifique que la unidad de la puerta esté debidamente alineada con el congelador.
- 12) Vuelva a instalar los pies graduables. Ahora, el proceso ha terminado.

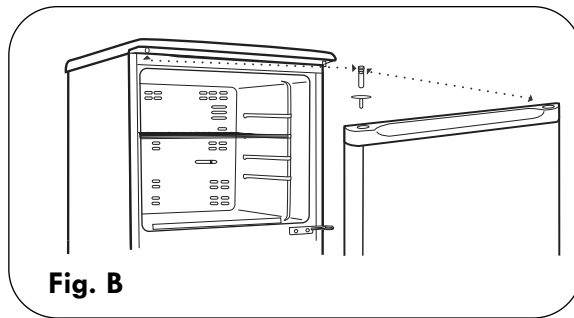
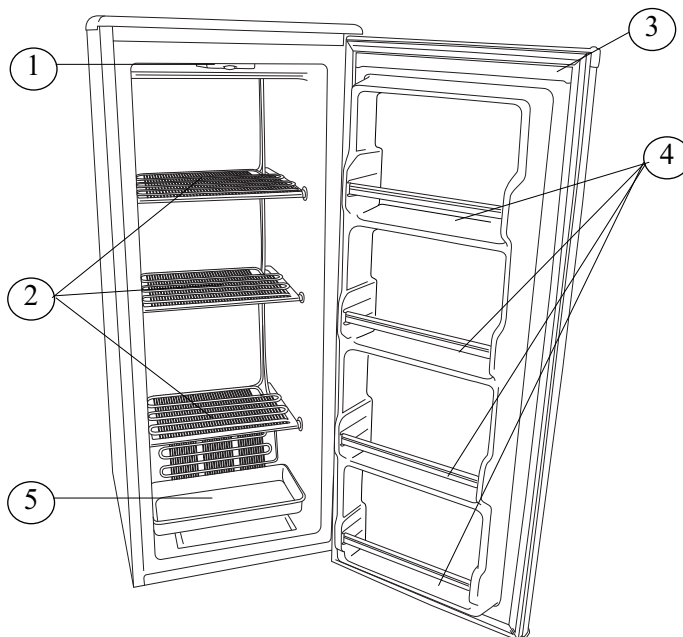


Fig. B

CARACTERÍSTICAS

- 1) **DIAL TERMOSTÁTICO:** Para controlar la temperatura dentro del congelador. Enciende el motor en cuanto la temperatura supera el nivel deseado.
- 2) **ESTANTES REFRIGERADOS:** 3 estantes refrigerados de ancho completo.
- 3) **JUNTA MAGNÉTICA:** El sello hermético de la puerta evita que escape el frío. Sin trabas ni cerrojos.
- 4) **COMPARTIMIENTOS DE LA PUERTA (4)**
- 5) **BANDEJA COLECTORA**



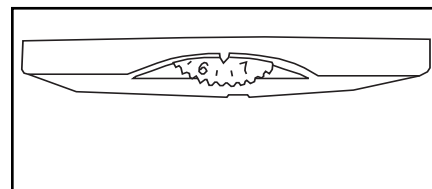
INSTRUCCIONES OPERADORAS

SELECCIÓN DE LA TEMPERATURA

Para evitar vibraciones, la caja debe estar nivelada. Esto se logra ajustando las (2) patas delanteras de nivelación ubicadas debajo de la caja del congelador. Para poner en marcha el congelador, coloque el control de temperatura en la posición correspondiente al enfriamiento deseado.

0 = sin enfriamiento **1= Enfriamiento mínimo**
3,4 = Enfriamiento mediano **MAX= Enfriamiento máximo**

La temperatura del congelador variará dependiendo de la cantidad de alimentos que se hayan guardado en el mismo y en la frecuencia con que se abra la puerta.



Enfriamiento Máximo

CUIDADO Y MANTENIMIENTO

INSTRUCCIONES PARA DESCONGELAR

Descongele y limpie su congelador cuando se acumule alrededor de 1 1/4" (6 mm) de hielo en su interior.

Debe descongelar completamente y limpiar su congelador por lo menos una vez al año. En lugares con alta humedad, puede ser necesario descongelar y limpiar el congelador más seguido.

IMPORTANTE: No use un punzón para hielo, cuchillo u otra herramienta con punta afilada para descongelar el congelador. Podría dañarlo.

- 1) Gire el control de temperatura a '0' (apagado) y desenchufe el cable de alimentación.
- 2) Saque todos los alimentos congelados. En vuelta los alimentos congelados en varias capas de periódicos y cúbralos con un repasador. Los alimentos permanecerán congelados durante varias horas o guarde los alimentos congelados en una heladerita, otra heladera/congelador o en un lugar frío.
- 3) Coloque ollas con agua caliente dentro del congelador manteniendo la puerta abierta para acelerar el descongelado. También puede ayudar apuntando un ventilador eléctrico hacia el congelador. No coloque el ventilador dentro del congelador.
- 4) Quite la acumulación de hielo
- 5) Quite el agua de las paredes y piso del congelador con una toalla o esponja.
- 6) Lave las paredes interiores.
- 7) Enjuáguelas y séquelas completamente.
- 8) Vuelva a colocar todos los alimentos congelados en su interior.
- 9) Enchufe el cable de alimentación y refiérase a "Operación"

LIMPIEZA

Para limpiar el interior, utilice un trapo suave y una mezcla de una cucharada de bicarbonato de sosa disuelta en un cuarto de agua. Otras soluciones de limpieza que pueden utilizarse son espuma de jabón suave o detergente suave. Lave los estantes de vidrio con una solución de detergente suave, luego séquelos y páselos un trapo suave. Limpie el exterior con un trapo suave húmedo y detergente suave o limpiador.

CORTE DE CORRIENTE

La mayoría de los cortes de corriente se corrigen en una o dos horas y no afectarán las temperaturas de su refrigerador. Sin embargo, Ud. deberá reducir la cantidad de veces que abre la puerta cuando la corriente esté apagada. Durante los cortes de corriente de larga duración, tome medidas para proteger sus alimentos colocando un bloque de hielo seco sobre los paquetes.

SI UD SE MUDA

Saque o asegure todos los artículos dentro (ej. parrillas) del refrigerador. Para evitar que los tornillos de nivel se averíen, gírelos completamente hacia la base.

CORTE DE CORRIENTE

La mayoría de los cortes de corriente se corrigen en una o dos horas y no afectarán las temperaturas de su congelador. Sin embargo, Ud. deberá reducir la cantidad de veces que abre la puerta cuando la corriente esté apagada. Durante los cortes de corriente de larga duración, tome medidas para proteger sus alimentos colocando un bloque de hielo seco sobre los paquetes.

LIMPIEZA Y MANTENIMIENTO

PERÍODO DE VACACIONES

Para los periodos cortos de vacaciones, deje el control en su configuración normal. Durante los largos periodos de ausencia;

- (a) saque todos los alimentos,
- (b) desconecte el cable del tomacorriente,
- (c) Limpie bien el congelador, incluyendo la bandeja colectora (bandeja de descongelado) ubicada en el piso de la unidad.
- (d) deje la puerta abierta para evitar la formación de olores.

Algunas reglas importantes para el uso correcto del refrigerador

- Nunca coloque alimentos calientes en el refrigerador.
- No sobrecargue el gabinete.
- No abra la puerta a menos que sea necesario.
- Si el congelador se guarda sin uso por periodos largos de tiempo, se sugiere que, luego de una limpieza cuidadosa, se deje la puerta entreabierta para permitir que el aire circule dentro de el gabinete y evitar una posible formación de condensación, moho u olores.

SOLUCIÓN SUGERIDA

Amenudo, los problemas son sencillos y no es necesario hacer una llamada de reparación, use esta guía de resolución de problemas para encontrar una posible solución. Si la unidad sigue funcionando mal, llame a los números gratuitos de un centro Danby de servicio autorizado.

Tel: 1-800-26 **Danby**

PROBLEMA	POSSIBLE CAUSA	SOLUCIÓN SUGERIDA
1) No funciona.	<ul style="list-style-type: none"> • No llega alimentación a la unidad. • Cable de alimentación desenchufado. • Voltaje incorrecto. 	<ul style="list-style-type: none"> • Revise la conexión del cable de alimentación al enchufe. • Enchufe la unidad. • Use el voltaje correcto.
2) El congelador funciona constantemente.	<ul style="list-style-type: none"> • Temperatura demasiado baja • La puerta no está cerrada. • Se colocó comida caliente. • Se abrió la puerta demasiadas veces durante mucho tiempo. • Muy cerca de una fuente de calor o bajo la luz directa del sol. 	<ul style="list-style-type: none"> • Baje el control de temperatura. • Cierre bien la puerta. • Verifique que los alimentos estén a temperatura ambiente antes de guardarlos. • Abra menos veces la puerta. • No coloque la unidad cerca de fuentes de calor o bajo la luz directa del sol.
3) La temperatura interna no es muy fría.	<ul style="list-style-type: none"> • No llega alimentación a la unidad. • Cable de alimentación desenchufado. • Temperatura demasiado alto • La puerta no está cerrada. • Alimentos calientes. • Se abrió la puerta demasiadas veces durante mucho tiempo. • Obstrucción del flujo de aire. • Voltaje incorrecto. • Muy cerca de una fuente de calor o bajo la luz directa del sol. 	<ul style="list-style-type: none"> • Revise la conexión del cable de alimentación al enchufe. • Enchufe la unidad. • Verifique el ajuste y aumentelo como sea necesario. • Cierre bien la puerta. • Verifique que los alimentos estén a temperatura ambiente. • Abra menos veces la puerta. • Deje lugar para que circule aire alrededor de la unidad. • Use el voltaje correcto. • No coloque la unidad cerca de fuentes de calor o bajo la luz directa del sol.



GARANTÍA LIMITADA PARA ELECTRODOMÉSTICO

Este producto de calidad está garantizado contra defectos de fabricación, incluyendo partes y mano de obra, siempre y cuando la unidad se utilice bajo las condiciones normales de funcionamiento para las que fue diseñado.

Esta garantía está solamente disponible para la persona que haya comprado originalmente esta unidad directamente de Danby Products Limited (Canada) o Danby Products Inc. (U.S.A.) (en adelante "Danby") o uno de sus distribuidores autorizados, y no es transferible.

CONDICIONES DE LA GARANTÍA

Las piezas plásticas, se autorizan por treinta (30) días solamente a partir de la fecha de la compra, sin las extensiones proporcionadas.

Primeros 18 Meses Durante los primeros 18 meses, cualquier parte en buen estado de este producto que resulte defectuosa, incluyendo cualquier sistema sellado, será reparado o reemplazado, a opción del fabricante, sin cargo para el comprador ORIGINAL.

Para obtener Servicio Danby se reserva el derecho de limitar la cobertura de "Servicio en Domicilio" sujeto a la proximidad de un Taller de Servicio Autorizado. Para todo artefacto que requiera servicio fuera del área limitada de "Servicio en Domicilio", el cliente será responsable por transportar dicho artefacto hasta el Taller de Servicio Autorizado más cercano. Consulte "Límites del servicio técnico a domicilio", a continuación. Comuníquese con el distribuidor donde haya comprado la unidad, o llame al Taller de Servicio Autorizado más cercano, donde debe ser reparada por un técnico calificado. Si esta unidad es reparada en otro lugar que no sea un Taller de Servicio Autorizado, o si la unidad se utiliza para aplicaciones comerciales, Danby no se hará responsable de ninguna forma y la garantía será anulada.

Límites del servicio técnico a domicilio Si el electrodoméstico está instalado en un lugar que se encuentra a 100 kilómetros (62 millas) o más del centro de servicios más cercano, se debe llevar la unidad al Centro de servicios Danby autorizado más cercano, ya que dicho servicio sólo puede realizarlo un técnico calificado y certificado por Danby para prestar servicios de garantía. Los cargos por transporte desde y hacia el lugar en que se efectúe el servicio técnico no están cubiertos por esta garantía y son de responsabilidad del comprador.

Nada dentro de esta garantía implica que Danby será responsable por cualquier daño que hayan sufrido los alimentos u otros contenidos de este aparato, ya sea debido a un defecto del aparato, o su uso, adecuado o inadecuado.

EXCLUSIONES

Salvo lo aquí indicado por Danby, no existen otras garantías, condiciones o representaciones, explícitas o implícitas, concretas o intencionales por parte de Danby o sus distribuidores autorizados y todas las demás garantías, condiciones o representaciones, incluyendo cualquier garantía, condiciones o representaciones bajo cualquier Acta de Venta de Productos o legislación o estatuto similar, quedan de esta forma expresamente excluidas. Salvo lo aquí indicado, Danby no serán responsables por ningún daño a personas o bienes, incluyendo la propia unidad, sin importar su causa, o de ningún daño indirecto causado por el desperfecto de la unidad, y al comprar esta unidad, el comprador acepta por la presente, indemnizar y proteger a Danby contra cualquier reclamo por daños a personas o bienes causados por la unidad.

CONDICIONES GENERALES

No se considerará ninguna de estas garantías o seguros cuando el daño o la necesidad de reparación sea el producto de los siguientes casos:

- 1) Falla del suministro eléctrico.
- 2) Daños en tránsito o durante el transporte de la unidad.
- 3) Alimentación incorrecta, como bajo voltaje, instalación eléctrica defectuosa o fusibles inadecuados.
- 4) Accidente, modificación, abuso o uso incorrecto del artefacto, tal como insuficiente ventilación del ambiente o condiciones de operación anormales (temperatura ambiente extremadamente alta o baja).
- 5) Utilización comercial o industrial (v.g., si el electrodoméstico no está instalado en una vivienda particular).
- 6) Incendio, daños por agua, robo, guerra, disturbios, hostilidades, actos de fuerza mayor como huracanes, inundaciones, etc.
- 7) Pedidos de servicio debido a desinformación del usuario.
- 8) Instalación inadecuada (v.g., instalación empotrada de un electrodoméstico diseñado como unidad independiente o uso de un electrodoméstico al aire libre que no esté aprobado para dicho fin).

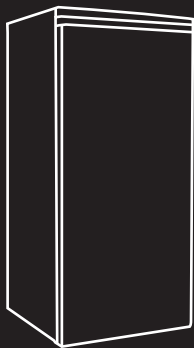
Para acceder a la garantía se solicitará un comprobante de compra; por lo tanto, guarde su recibo. En caso de necesitar servicio de garantía, presente ese documento al TALLER DE SERVICIO AUTORIZADO.

Servicio de Garantía
Servicio en Domicilio

Danby Products Limited
PO Box 1778, Guelph, Ontario, Canada N1H 6Z9
Telephone: (519) 837-0920 FAX: (519) 837-0449

1-800-263-2629

Danby Products Inc.
PO Box 669, Findlay, Ohio, U.S.A. 45840
Telephone: (419) 425-8627 FAX: (419) 425-8629



**UPRIGHT FREEZER
CONGÉLATEUR VERTICAL
CONGELADOR VERTICAL**

**Model • Modèle • Modelo
DUFM283WDD**

UPRIGHT FREEZER

The model number can be found on the serial plate located on the back panel of the unit.

All repair parts available for purchase or special order when you visit your nearest service depot. To request service and/or the location of the service depot nearest you, call Danby toll free.

When requesting service or ordering parts, always provide the following information:

- **Product Type**
- **Model Number**
- **Part Description**

CONGELADOR VERTICAL

El número de modelo se puede encontrar en la placa serial situada en el panel trasero de la unidad.

Todas las piezas de reparación disponibles para la compra o la orden especial cuando usted visita su depósito más cercano del servicio. Para pedir servicio y/o la localización del depósito del servicio lo más cerca posible usted, llama Danby gratis.

Al pedir servicio o pidiendo piezas, proporcione siempre la información siguiente:

- **Tipo de Producto**
- **Número de Modelo**
- **Descripción de la Parte**

CONGÉLATEUR VERTICAL

Le numéro de modèle se trouve sur la plaque d'information sur la paroi arriere de l'appareil.

Toutes les pieces de rechange ou commandes speciales sont disponibles de votre centre regional de service autorise. Pour exiger le service et-ou le nom de votre centre de service regional, signalez le numéro sans frais de Danby.

Ayez les renseignements suivants á la portée de la main lors de la commande de pièce ou service:

- **Genre de produit**
- **Numéro de modèle**
- **Description de la pièce**



Tel: 1-800-26-**Danby**
(1-800-263-2629)