

Danby

Silhouette®

**OWNER'S MANUAL
GUIDE DU PROPRIÉTAIRE
MANUAL DEL USUARIO**

DWC2727BLS

CAUTION:

Read and Follow All Safety Rules and Operating Instructions Before First Use of This Product.

ATTENTION :

Avant de faire fonctionner cette machine, lisez et suivez toutes les consignes de sécurité de ce guide en premier lieu.

ATENCIÓN:

Lea y Siga Todas las Indicaciones de Seguridad y de Operación Antes de Utilizar Este Producto.



Table of Contents	1
Table des matières	12
Índice	23



TABLE OF CONTENTS

Important Safety Information

3

Safety Precautions	3
Grounding Instructions	4

Operating Instructions

5

Features of Your Wine Cooler	5
The Controls of Your Wine Cooler	6
Setting the Temperature	6
Wine Storage	7
Shelf Instructions	7

Installation Instructions

8

Tools You Will Need	8
Preparing the Enclosure	8

Care and Cleaning

9

Helpful Hints	9
How to Clean the Inside	9
How to Clean the Outside	9

Trouble Shooting

10

Before Your Call For Service	10
------------------------------	----

Warranty

11

WELCOME

Welcome to the Danby family. We're proud of our quality products and we believe in dependable service.

You'll see it in this easy-to-use manual and you'll hear it in the friendly voices of our consumer service department.

Tel: 1-800-26-**Danby**[®]

Best of all, you'll experience these values each time you use your wine cooler. That's important, because your new appliance will be part of your family for a long time.

Start Here!...Before using your Wine Cooler

Write down the model and serial numbers here. They are on a label located on the back of the wine cooler.

Model number **DWC2727BLS**

Serial number _____

Date purchased _____

Staple your receipt to the inside back cover of this manual. You will need it to obtain service under warranty.

NEED HELP?

Before you call for service, there are a few things you can do to help us serve you better...

Read this manual

It contains instructions to help you use and maintain your wine cooler properly.

If you received a damaged appliance

Immediately contact the dealer (or builder) that sold you the wine cooler.

Save time and money

Check the Trouble Shooting section before calling. This section helps you solve common problems that may occur.

If you do need service, you can relax knowing help is only a phone call away.

Tel: 1-800-26-**Danby**[®]

IMPORTANT SAFETY INFORMATION

READ ALL SAFETY INFORMATION BEFORE USING

WARNING

DANGER, RISK OF CHILD ENTRAPMENT!

An empty wine cooler is a very dangerous attraction to children. Remove either the gasket, latches, lids, lock and/or doors from unused or discarded appliances, or take some other action to guarantee it harmless.

DON'T WAIT, DO IT NOW!

To reduce the risk of fire, burns, electric shock, or injury to persons when using your appliance, follow basic precautions, including the following sections;

SAFETY PRECAUTIONS

- This appliance must be grounded. Connect only to a properly grounded outlet. See "Grounding Instructions" section on page 4.
- Do not operate this appliance if it has a damaged power cord or plug, if it is not working properly, or if the appliance has been damaged or dropped.
- Do not splice the power cord that is equipped with this appliance.
- Keep power cord away from heated surfaces.
- Do not immerse power cord, plug or the appliance itself in water.
- Do not use this product near water-for example, in a wet basement, near a swimming pool or near a sink.
- Do not use corrosive chemicals or vapors in this appliance.
- Use this appliance only for it's intended use, as described in this manual.
- Do not store perishable food items such as (but not limited to) meats and dairy products in your wine cooler.
- Store wine in sealed bottles only.
- See door surface cleaning instructions in the Care and Cleaning section(s) of this manual.
- Do not cover or block any openings on the appliance.
- This appliance is intended for household use only. Do not attempt to operate or store this appliance outdoors.
- This appliance should be serviced only by qualified service personnel. Contact the nearest authorized service facility for examination, repair or adjustment.

SAVE THESE INSTRUCTIONS

IMPORTANT SAFETY INFORMATION

GROUNDING INSTRUCTIONS

WARNING

Improper use of the grounding plug can result in a risk of electric shock.

This appliance must be grounded. In the event of an electrical short circuit, grounding reduces the risk of electric shock by providing an escape wire for the electric current.

This appliance is equipped with a power cord having a grounding wire with a grounding plug. The plug must be plugged into an outlet that is properly installed and grounded.

Consult a qualified electrician or service technician if the grounding instructions are not completely understood, or if doubt exists as to whether the appliance is properly grounded.

If the outlet is a standard 2-prong wall outlet, it is your personal responsibility and obligation to have it replaced with a properly grounded 3-prong wall outlet.

For best operation, plug this appliance into its own electrical outlet to prevent flickering of lights, blowing of fuse or tripping of circuit breaker.

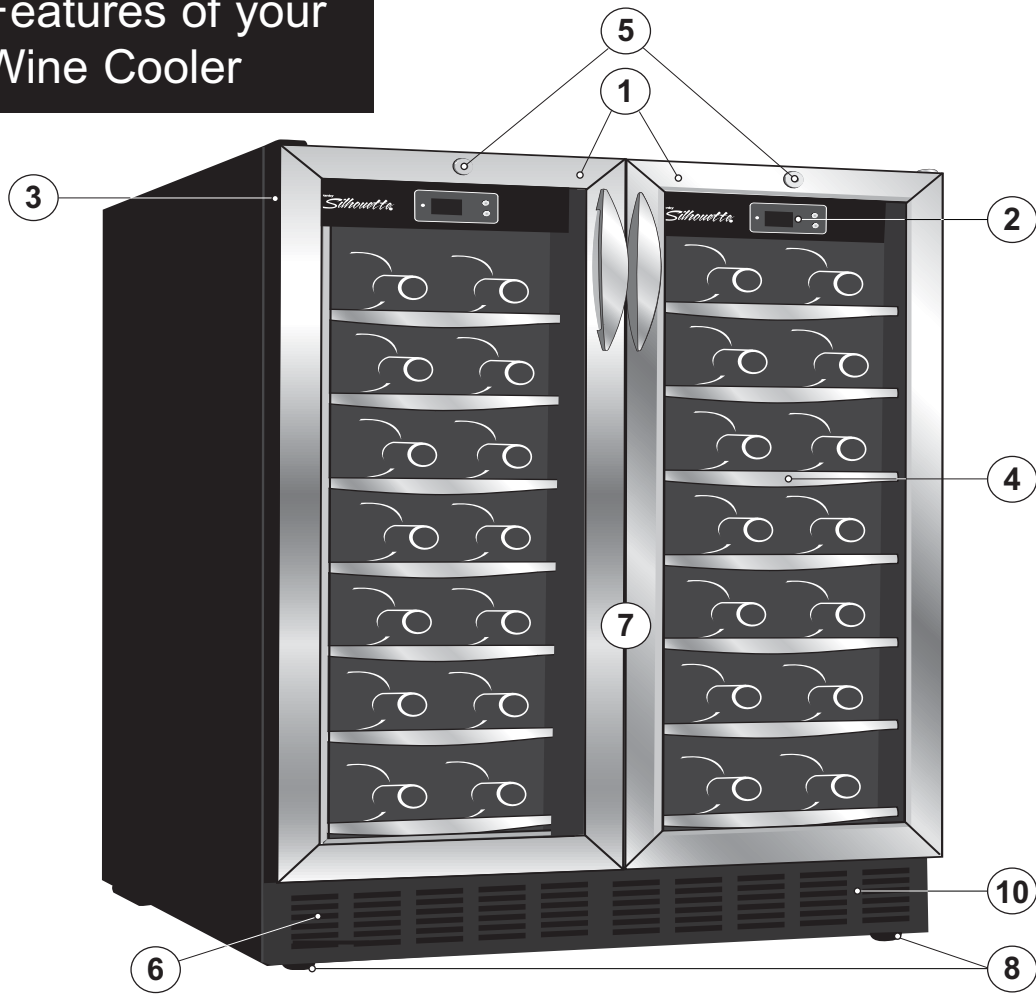
Do not under any circumstances cut or remove the third (ground) prong from the power cord.

Do not use an adapter plug with this appliance.

Do not use an extension cord with this appliance. If the power cord is too short, have a qualified electrician or service technician install an outlet near the appliance.

Operating Instructions

Features of your Wine Cooler



1. Twin Door Design: Divided compartments allow for separate storage of different types of wines.

2. Dual Electronic Controls: For individually regulating the temperature for both compartments of the wine cooler.

3. Magnetic Door Gaskets: Tight fitting seals retain all the cooling power and humidity levels.

4. Stainless Steel Shelf Trim: Partially slide out for easy access to your wine.

5. Child Proof Locks with Key

6. Front Mounted Exhaust: Allows for integrated (built-in) applications.

7. Tempered Glass Doors: Tinted for UV protection while still allowing for easy interior viewing.

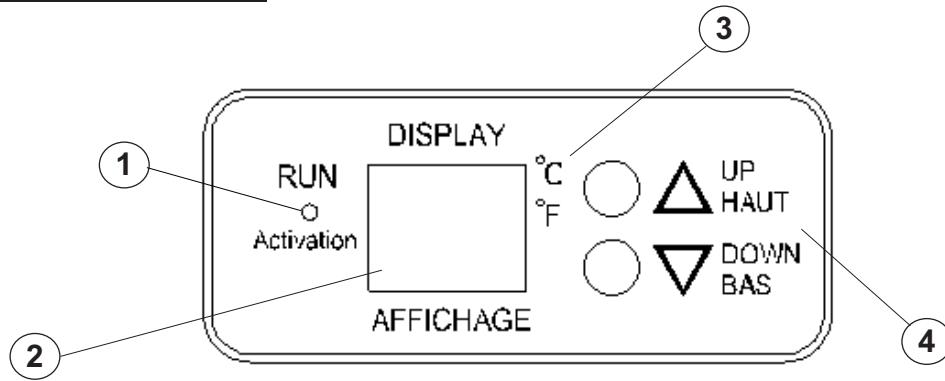
8. Leveling Legs.

9. Interior Lights (not shown): Illuminates the compartment when the door is opened.

10. Interior Light Toggle Switch: To manually illuminate/extinguish both interior lights, while doors remain closed.

Operating Instructions

The Controls of your Wine Cooler



1. Run

Indicator light illuminates to signify the cooling mode is currently in operation.

2. Electronic Display

Display screen shows current cabinet temperature and set temperature (see 'Setting the Temperature' below).

3. °C / °F

Adjacent indicator light denotes which scale of temperature is displayed.

4. 'UP' Button

Used to raise (warm) the temperature in 1° degree increments.

'DOWN' Button

Used to lower (cool) the temperature in 1° degree increments.

Setting the Temperature

When you plug in your wine cooler for the first time, the temperatures will automatically be set to 45°F (7°C) and 54°F (12°C) in the left and right compartments respectively and will be displayed in the Fahrenheit scale (°F).

- To switch the display between the Fahrenheit (°F) and Celsius (°C) scale, depress the UP and DOWN control buttons simultaneously for approximately five (5) seconds
 - You may view your 'set' temperature at any time by briefly depressing either the 'UP' or 'DOWN' button. The *set* temperature will flash in the display area for 5 seconds before the display resumes showing the *current* cabinet temperature.
 - The temperature range for both compartments can be set as low as 39°F (4°C) or as high as 64°F (18°C) to suit your specific wine storage requirements. Each depression of the UP or DOWN button will allow you adjust the temperature in 1° degree increments within the aforementioned range.
- Please note:** In the event of a power failure or interruption, all modified settings are lost and the default settings are used once power resumes.

Operating Instructions

Wine Storage

The **maximum* capacity of the DWC2727 is 54 (750ml) wine bottles.

**When stocked as per instructions.*

In order to achieve the maximum storage capacity of fifty-four (54) bottles, it will be necessary to position the bottles alternately on the upper six shelves, as shown in **Fig A**. This will allow for the storage of four (4) 750 ml bottles per rack in each of the top six shelves, and three (3) bottles on the bottom shelf for a total storage capacity of fifty-four (54) wine bottles.

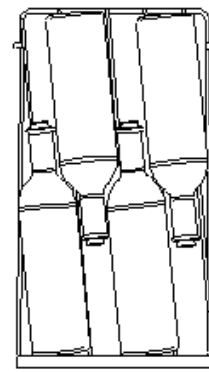


Fig A

Shelf Instructions

IMPORTANT!

Do not cover shelves with aluminum foil or any other material that will prevent adequate air circulation within the cabinet.

To remove a shelf from its locked position, tilt the shelf as shown in **Fig B** and pull outward.

To re-install, ensure the shelf is resting securely on the support brackets and push shelf inward until it locks into place.

Please Note: The bottom shelf in both sections of the cabinet are not secured in place (locked). Do not attempt to pull on the shelf when either it is stocked with wine and or when the humidifier is filled with water.

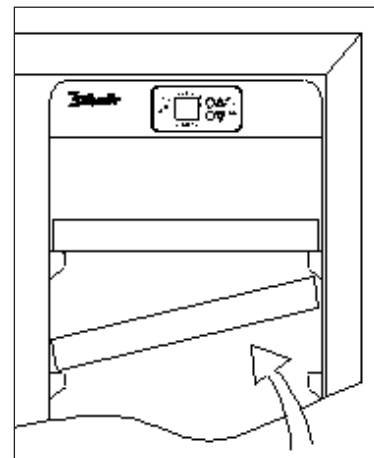
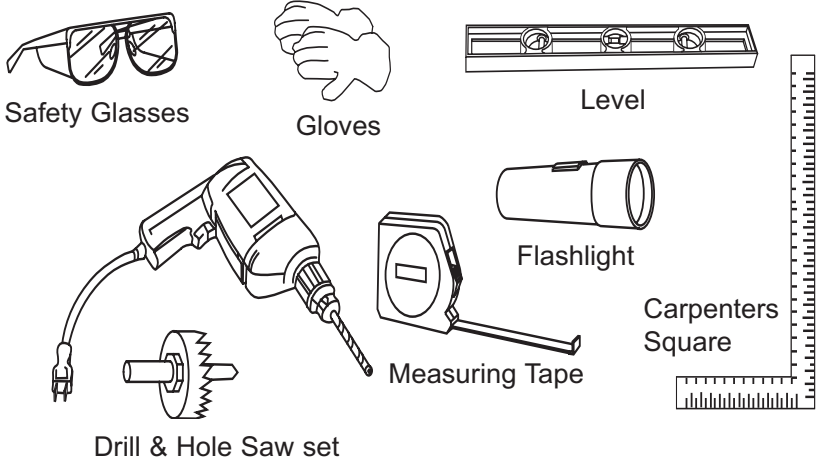


Fig B

Installation Instructions - Intergrated Application

Tools You Will Need

FOR YOUR SAFETY:
While performing installations described in this section, gloves, safety glasses or goggles should be worn.

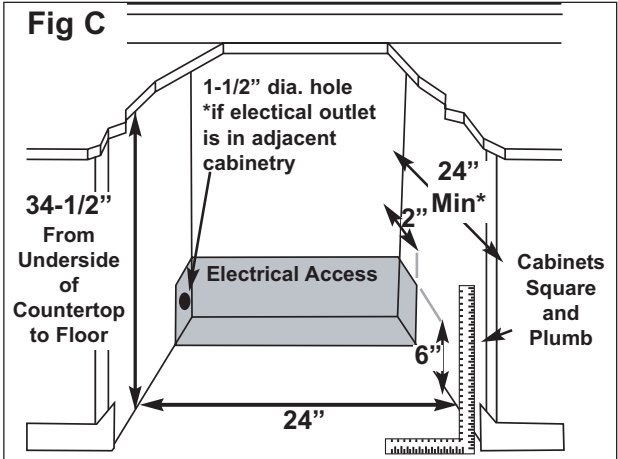


Preparing the Enclosure

Electrical Requirements:
The appliance must be connected to an individual properly grounded electrical outlet, protected by a 15 or 20 ampere circuit breaker or time delay fuse.

- It is recommended that you do not install the wine cooler into a corner (i.e. directly beside a wall). This is to allow the door(s) to have a greater than 90° opening swing. A limited door swing will prevent the shelves from sliding out as intended, and may lead to damaging the door gasket(s).
- The rough cabinet opening must be on a level floor area and at least 24" deep* by 24" wide. The opening should also have a height of at least 34-1/2".

- The electrical outlet may be positioned from within either side of the adjacent cabinetry, or the rear of the shaded area (as shown in **Fig C**).
- Important:** If the electrical outlet is surface mounted (not flush) within the enclosure, the *depth* requirement for the installation may be affected.
- If the electrical outlet is located inside the adjacent cabinetry, cut a 1-1/2" diameter hole to admit the power cord.



*The listed depth requirement for the installation is assuming that the electrical outlet is located in the adjacent cabinetry or is flush mounted in the rear wall, not surface mounted in the enclosure.

Care and Cleaning

Helpful Hints

Allow the wine cooler door to remain open for a few minutes after manual cleaning to air out and dry the inside of the wine cooler cabinet

NOTE: Be certain the power is off before cleaning any part of this appliance.

How to Clean the Inside

Walls, Floor, Inside Window, and Shelves

Never use any commercial or abrasive cleaners or sharp objects on any part of wine cooler.

Water deposits and dust can should be removed with a damp cloth.

How to Clean the Outside

Do not use cleaners containing ammonia or alcohol on the wine cooler.

Ammonia or alcohol can damage the appearance of the appliance.

Outer Case

It's important to keep the area clean where the door seals against the cabinet. Clean this area with a sudsy cloth. Rinse and then dry.

Door surface

Use only mild, non-abrasive detergents applied with a clean sponge or soft cloth. Rinse well.

Control Panel and Door

Wipe with a damp cloth and dry thoroughly. Do not use cleaning sprays, large amounts of soap and water, abrasive or sharp objects on the panel, they can damage it. Some paper towels may also scratch the control panel and door glass.

Trouble Shooting

Before You Call For Service

Problem	Possible Cause	What to do
No Power.	A fuse in your home may be blown or the circuit breaker tripped.	Replace fuse or reset circuit breaker.
	Power surge.	Unplug the wine cooler, wait a few seconds and then plug it back in.
	Plug not fully inserted into wall outlet	Make sure the 3-prong plug on the wine cooler is fully inserted into outlet.
Cabinet Temperature too High	Temperature setting	Verify the temperature control setting. adjust if necessary.
	Door(s) not shut properly or opened excessively	Ensure that the doors are fully closed and that the gaskets are sealing, against the cabinets. Open the doors only as needed and for short periods of time.
	Exhaust vent is obstructed	Verify there is nothing blocking the front mounted exhausting vent.
	Recently added a large quantity of warm bottles to the cabinet	Limit the quantity of warm bottles being introduced to the cabinet at the same time. Attempt to phase in the load introduction if possible. (i.e. load no more than 6 warm bottles at once- 3 per compartment)
“Clicking” Noise	Normal sound	No user intervention is required as this sound is normal during the operation of the appliance. This audible ‘clicking’ noise may be heard as the wine cooler ends or begins a cooling cycle.
Condensation on the cabinet and/or doors	High humidity conditions in the home.	The condensation will subside once humidity conditions return to normal.
	Door(s) not shut properly or opened excessively	Ensure that the doors are fully closed and that the gaskets are sealing, against the cabinets. Open the doors only as needed and for short periods of time.

If none of the above rectify the situation please contact our customer care department at **1-800-26-Danby® (1-800-263-2629)**

GUIDE DU PROPRIÉTAIRE

TABLE DES MATIÈRES

Informations de sécurité importantes

14

Précautions	14
Instructions de mise à la terre	15

Instructions de fonctionnement

16

Caractéristiques de votre refroidisseur de vin	16
Commandes de votre refroidisseur de vin	17
Réglage de la température	17
Entreposage des vins	18
Instruction pour tablette	18

Instructions d'installation

19

Outils nécessaires	19
Préparation de l'enceinte	19

Soin et nettoyage

20

Conseils utiles	20
Comment nettoyer l'intérieur	20
Comment nettoyer l'extérieur	20

En case de panne

21

Avant de placer un appel de service	21
-------------------------------------	----

Garantie

22

BIENVENUE

Bienvenue dans la famille Danby. Nous sommes fiers de nos produits de qualité et croyons au bien fondé de fournir une assistance fiable à nos clients.

Vous le découvrirez par ce guide facile d'utilisation et vous pourrez l'entendre en provenance des voix amicales de notre service d'assistance à la clientèle.

Tél.: 1-800-26-**Danby**®

Mais, ce qui est encore mieux, vous pourrez bénéficier de ces valeurs à chaque utilisation de votre refroidisseur de vin. Ceci est important parce que votre nouvelle appareil fera partie de votre famille pour longtemps.

Point de départ...AVANT d'utiliser votre Cabinet à Vin

Enregistrez ici les numéros de modèle et de série. Ces numéros se trouvent sur l'étiquette au dos de l'appareil.

Agrafez votre reçu d'achat à l'intérieur de la couverture arrière de de guide. Il sera requis pour faire une réclamation de la garantie.

Numéro de modèle **DWC2727BLS**

Numéro de série _____

Date d'achat _____

EN CAS DE BESOIN D'ASSISTANCE

Voici quelques contributions que vous pouvez effectuer avant de faire un appel de service, pour nous aider à mieux vous servir :

Lisez ce guide

Il comprend des instructions pour vous assister à l'utilisation et l'entretien adéquats de votre refroidisseur de vin.

Si votre appareil neuf est avarié

Communiquez immédiatement avec le revendeur (ou le manufacturier).

Épargnez temps et argent

Avant de faire un appel de service, révisez le chapitre intitulé "Dépannage". Ce chapitre vous aidera à solutionner des problèmes communs qui pourraient survenir.

Si une réparation est requise, vous pouvez avoir l'esprit tranquille parce que de l'aide ne sera l'affaire que d'un appel téléphonique.

Tél.: 1-800-26-**Danby**®

INFORMATIONS DE SÉCURITÉ IMPORTANTES

LISEZ TOUTES LES INFORMATIONS DE SÉCURITÉ AVANT DE FAIRE FONCTIONNER L'APPAREIL

AVERTISSEMENT

DANGER, RISQUE DES ENFANTS DEVIENNENT COINCER DANS L'APPAREIL

Un refroidisseur de vin vide est une attraction dangereuse aux enfants. Enlever les joints étanches, les loquets, les couvercles ou les porte des appareils qui ne sont pas utiliser, ou faites de soit que l'appareil ne présente aucun danger.

N'ATTENDEZ PAS! FAITES-LE IMMEDIATEMEN!

Pour minimiser le risque d'incendie, de brûlures, de chocs électriques ou de blessures, suivez les chapitres suivants en plus d'appliquer les précautions de base.

PRÉCAUTIONS

- Cet appareil doit être mis à la terre. Branchez le seulement dans une prise correctement mise à la terre. Référez-vous au chapitre intitulé "Instructions de mise à la terre" à la page 4.
- Ne faites pas fonctionner cet appareil s'il a un cordon ou fiche électrique endommagé, s'il ne fonctionne pas correctement, ou si l'appareil a été endommagé ou échappé.
- N'épissez pas le cordon électrique
- Gardez le cordon électrique éloigné des sources de chaleur.
- N'immersez pas le cordon ou sa fiche dans aucun liquide.
- N'utilisez pas cet appareil près de bassins d'eau, par exemple dans un sous-sol détrempe, près d'une piscine ou d'un évier.
- N'utilisez pas de produits chimiques ou vapeurs corrosives dans/près de cet appareil.
- N'utilisez cet appareil que pour les fins auxquelles il est conçu comme indiqué dans ce guide.
- Ne placez pas les articles périssables de nourriture dans votre refroidisseur de vine. (Pour exemple, les viandes et les produits laitiers)
- Entreposez le vin dans des bouteilles scellées seulement.
- Référez-vous aux instructions de nettoyage du fini de la porte se trouvant au(x) chapitre(s) de Soins et nettoyage de ce guide.
- Ne recouvrez pas ou n'obstruez aucune ouverture de l'appareil.
- Cet appareil est conçu pour un usage domestique à l'intérieur seulement. N'entreposez ni n'utilisez pas cet appareil à l'extérieur.
- Cet appareil ne devrait être réparé que par du personnel qualifié. Pour tout examen, réparation ou réglage, contactez votre centre de service le plus rapproché.

SAUVEGARDEZ CES INSTRUCTIONS

INFORMATIONS DE SÉCURITÉ IMPORTANTES

INSTRUCTIONS DE MISE À LA TERRE

AVERTISSEMENT

Une mauvaise utilisation de la mise à la terre de la fiche constitue un danger d'électrocution.

Cet appareil doit être mis à la terre. Dans l'éventualité d'un court-circuit, la mise à la terre procure un chemin direct de contournement du courant pour prévenir l'électrocution des manipulateurs de l'appareil.

Cet appareil est muni d'un cordon comprenant une fiche et fil de mise à la terre.

La fiche doit être branchée dans une prise correctement installée et mise à la terre.

Si les directives de mise à la terre ne sont pas tout à fait comprises ou en cas de tout doute relatif à la mise à la terre appropriée de l'appareil, faites appel à un électricien ou à un technicien qualifié.

Si la prise murale est une prise à 2 branches, c'est votre obligation, et la responsabilité vous en incombe, de la faire remplacer par une prise à trois branches adéquatement mise à la terre.

Pour un meilleur rendement et pour éviter que les ampoules d'éclairage de la résidence soient affectées d'un affaissement de tension, ou que le fusible ou disjoncteur du circuit ne grille ou ne se déclenche, dédiez un circuit individuel d'alimentation à la machine à glaçons (prise (double) unique sur le circuit).

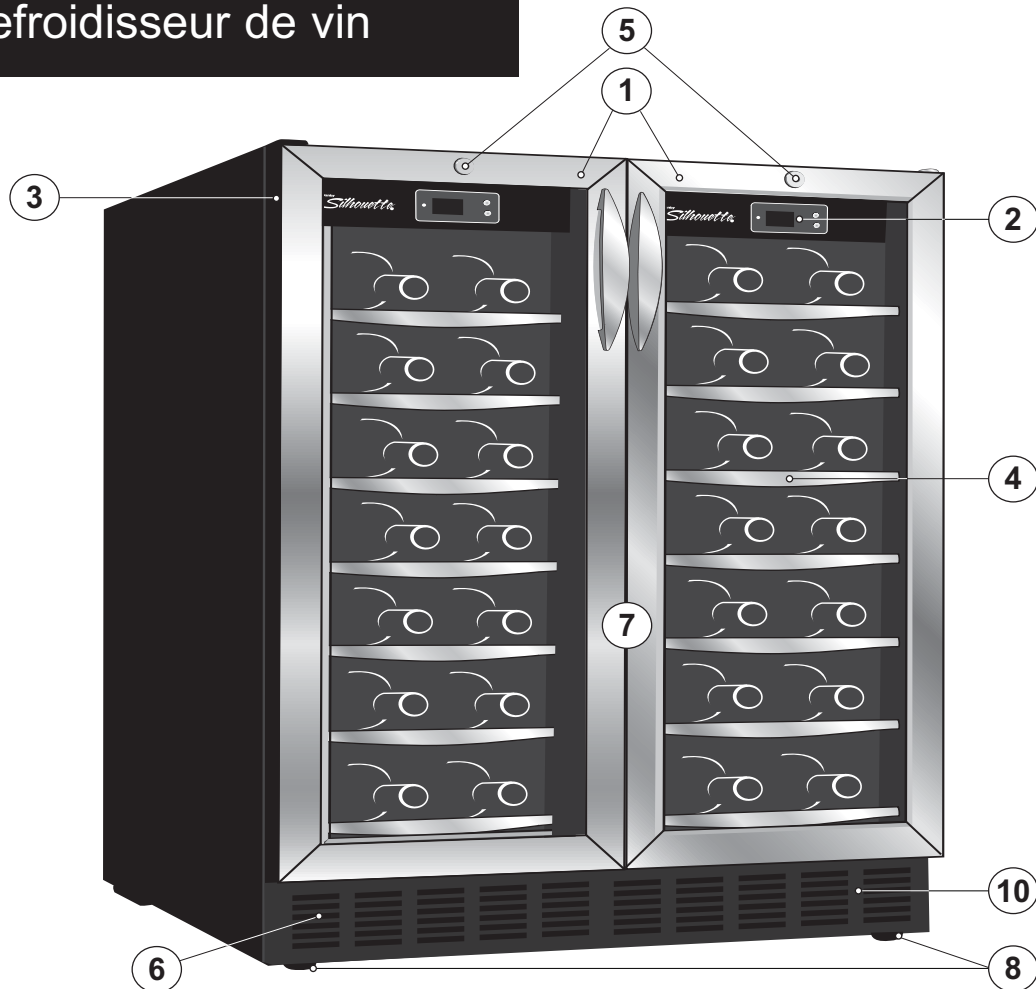
Sous aucun prétexte il est permis de couper ou d'enlever la troisième branche (mise à la terre) de la fiche du cordon électrique.

N'utilisez pas d'adaptateur de fiche avec cet appareil.

N'utilisez pas de cordon de rallonge avec cet appareil. Si le cordon électrique de l'appareil ne rejoint pas la prise murale, faites installer une prise plus rapprochée par un électricien ou un technicien qualifié.

Instructions de fonctionnement

Caractéristiques de votre refroidisseur de vin



1. Deux Portes: Les compartiments divisés permettent le entreposage séparé des vins différents.

2. Contrôles Électroniques (Duelles): Régulation indépendante de la température des deux compartiments du refroidisseur de vin.

3. Joint Étanche Magnétique: Le joint étanche permet de conserver le niveau de température et d'humidité à l'intérieur du cabinet.

4. Tablette avec Garniture de acero inoxidable: Les tablettes coulissantes facilitent l'accès au vin.

5. Verrou à l'épreuve des enfants

6. Échappement sur le Devant: Pour des applications intégrées

7. Portes en Verre Trempé: Teinté pour protéger contre les rayons UV tout en permettant de voir facilement le contenu du cabinet.

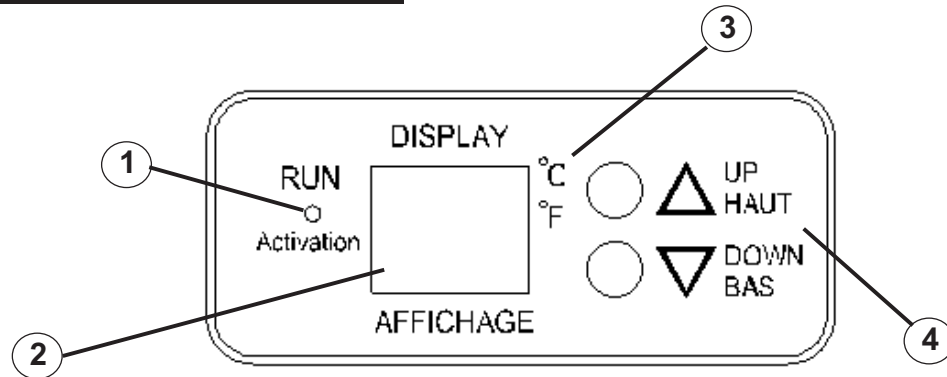
8. Pieds Adjustables

9. Lumière Intérieures (non illustré): S'allume lorsqu'on ouvre la porte du cabinet.

10. Interrupteur à Bascule: Manuellement illuminer ou éteignez les lumières intérieures tandis que les portes restent fermées.

Instructions de fonctionnement

Commandes de votre refroidisseur de vin



1. Activation

Le voyant s'allume pour indiquer que le cycle de refroidissement est presentment en marche.

2. Affichage électronique

L'écran affiche le température courante du cabinet et la température demandée par réglage. (référez-vous au "Réglage du température" ci-dessous)

3. C° / F°

Le voyant situés à côté, dénote quelle balance de la température est montrée

4. 'HAUT' bouton de commande

Augmenter la température (plus chaud) par intervalle de un degré

'BAS' bouton de commande

Diminuer la température (plus froid) par intervalle de un degré.

Réglage du température

Le réglage par défaut du thermostat du refroidisseur de vin est 45°F (7°C) et 54°F (12°C) dans les compartiments gauches et droits respectivement température est affichée en Fahrenheit (°F)

- Pour changer l'affichage entre la température en Celsius (°C) et la la température en Fahrenheit (°F) appuyez sur les bouton de control HAUTE et BAS en même temps pour environ 5 secondes.

- La température pour les deux compartiments peut être ajustée aussi basse que 39°F (4°C) ou aussi haut que 64°F (18°C) pour satisfaire à vos besoin spécifiques pour votre entreposage de vin. Chaque pression du bouton commande 'HAUTE' ou 'BAS' vous permettra d'ajuster la température par intervalle de un degré dans la marge mentionnée ci-dessus.

Note: En cas de panne de courant, les réglage de température les plus récents sont perdu et les réglage de défaut son reconstitué une fois que l'alimentation de courant est rétablie.

Instructions de fonctionnement

Entreposage des vins

La capacité **maximum* du DWC2727 est 54 bouteilles du vin (750ml).

*** Quand il est stocké en utilisant les instructions.**

Afin de réaliser la capacité d'entreposage maximum de cinquante quatre (54) bouteilles de vin, il sera nécessaire de placer les bouteilles alternativement sur les six tablettes supérieures, comme montré dans la **Fig A**. Ceci permettra le entreposage de quatre (4) bouteilles de 750 ml dans chacune des six étagères supérieures, et trois (3) bouteilles sur l'étagère inférieure pour une capacité totale de entreposage de cinquante quatre (54) bouteilles de vin.

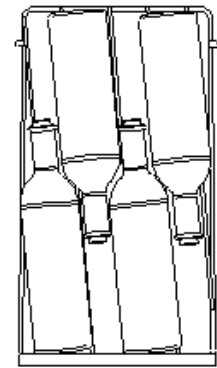


Fig A

Instructions des tablette

ATTENTION!

Ne couvrez pas les tablettes avec du papier d'aluminium ou avec d'autres matériaux pour les tablettes pour ne pas nuire à la circulation de l'air.

Pour enlever une tablette de la position verrouillée, incline l'étagère comme montré dans la **Fig B** et tire à l'extérieur.

Pour réinstaller, assurez l'étagère se repose sur les supports et poussée la tablette vers l'intérieur jusqu'à ce qu'elle soit verrouillée en place.

Svp Note : Les tablettes inférieure dans les deux sections du cabinet ne sont pas fixées en place (verrouillée en place). N'essayez pas de tirer sur les tablettes quand elle est stockée avec du vin et/ou quand réservoir d'humidité est rempli avec de l'eau

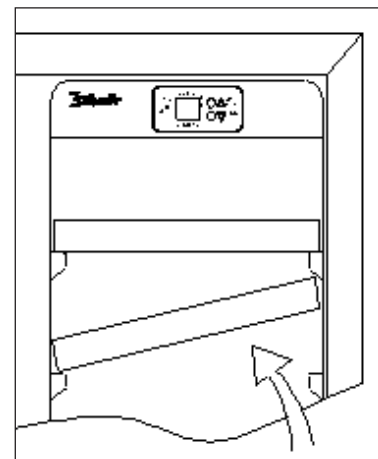


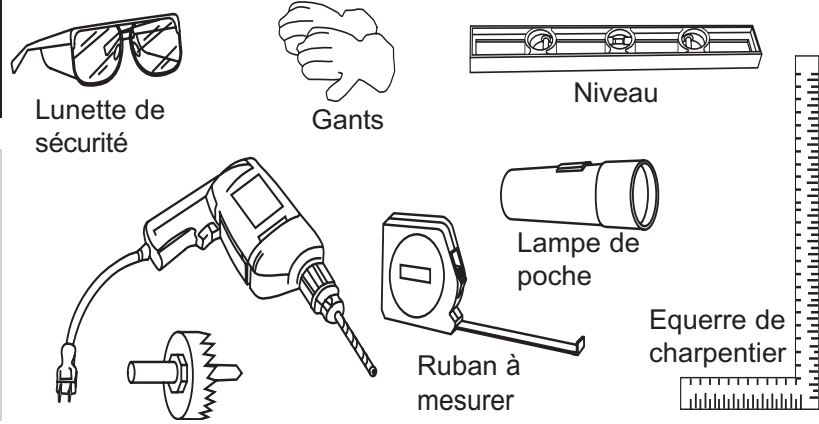
Fig B

Instructions d'installation - Application Intégré

Outils nécessaires

POUR VOTRE SÛRETÉ:

En faire les installations décrites dans cette section, des gants, les lunettes de sécurité devraient être portés.



Préparation de l'enceinte

Alimentation:

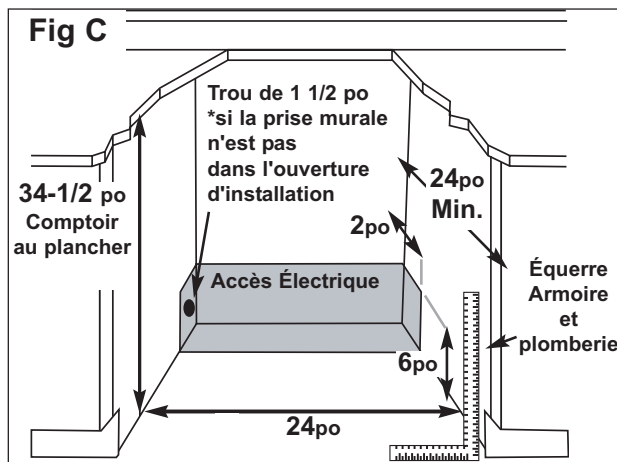
Cet appareil doit être raccordé à un circuit de dérivation individuel correctement mis à la terre, protégé par un disjoncteur de 15 ou 20 ampères ou d'un fusible temporisé.

- Nous recommandons que vous n'installiez pas le refroidisseur de vin dans un coin (directement près d'un mur). Ceci permettrait aux portes d'avoir une oscillation plus grande que 90°. Une oscillation d'ouverture qui est limitée, empêchera les étagères de glisser dehors comme supposé, et peut endommager la garniture de porte., empêchera les étagères de glisser dehors comme supposé, et peut endommager la garniture de porte.
- L'ouverture brute de l'armoire doit être sur une surface niveau avec le plancher et d'au moins 24

po de profondeur par 24" largeur. L'ouverture devrait être à une hauteur maximale de 34- 1/2 po.

- La prise murale peut être placée de l'un ou l'autre côté si la prise murale n'est pas dans l'ouverture d'installation, ou de l'arrière du secteur ombragé (comme montré dans **fig C**.)

- Si la prise murale est dans l'autre armoire, percez un trou de 1 po 1/2" de diamètre afin d'insérer le câble électrique. Si l'armoire est faite de métal, le bord du trou doit être couvert d'une bague ou d'un passe-câble.



* Le requirment de profondeur pour l'installation suppose que la prise murale est localisée dans une autre armoire ou est monté dans le mur, pas monté sur la surface dedans l'ouverture .

Soins et entretien

Conseils utiles

Après avoir fait de la glace, effectué un autonettoyage ou un nettoyage manuel, laissez la porte de la machine ouverte durant quelques minutes pour aérer et assécher l'intérieur de l'armoire.

NOTE : Avant de nettoyer quelque partie que ce soit de cet appareil, assurez-vous que l'alimentation est coupée.

Comment nettoyer l'intérieur

N'utilisez jamais de nettoyant industriels sur aucune partie de votre refroidisseur de vin.

Parois, Plancher, Intérieur de la Visière et Tablettes

Certaines éclaboussures d'eau et poussières peuvent être essuyées avec des essuie-tout. D'autres taches peuvent nécessiter un linge humide.

Comment nettoyer l'extérieur

N'utilisez pas de produits nettoyants comprenant de l'ammoniaque ou de l'alcool sur la refroidisseur de vin.

L'ammoniaque ou l'alcool peuvent altérer le fini de l'appareil.

Extérieur de l'armoire

Il est important de garder la région de scellement de la porte sur l'armoire propre. Nettoyez avec un tissu savonneux, rincez le région et puis séchez

Surface du Porte

N'utilisez que des détergents doux, non abrasifs, appliqués avec une éponge propre ou un chiffon doux. Rincez abondamment.

Panneau de commande et Porte

Essuyez avec un chiffon humide. Asséchez bien avec un chiffon sec. N'utilisez pas de nettoyants en aérosol, de grandes quantités d'eau et de savon, d'abrasifs ou d'objets acérés sur le panneau, ceci pourrait l'endommager. Certains essuie-tout peuvent aussi égratigner le panneau de commande et verre de la porte.

En cas de panne

Avant de placer un appel de service

Problème	Cause possible	Ce qu'il faut faire
L'appareil n'est pas alimenté	Un fusible de votre panneau de distribution peut être grillé ou le disjoncteur déclenché.	Remplacez le fusible ou réarmez le disjoncteur.
	Surtension.	Débranchez la refroidisseur de vin et attendez quelques secondes, et puis rebranchez la.
	La fiche n'est pas complètement insérée dans la prise murale.	Assurez-vous que la fiche à 3 branches de la refroidisseur de vin est complètement insérée dans la prise.
La température dans le cabinet est trop haute	Réglage du température	Vérifiez que la commande est réglée. à la bonne arrangement.
	Les portes ne sont pas fermées correctement ou son ouverte trop souvent	Assurez-vous que les portes sont fermées et que les joint étanches sont contre le coffret. Ouvrez les portes seulement quand nécessaire.
	Lumières Intérieures	Les lumières intérieures sont pour éclairage provisoire seulement Ils ne sont pas censés d'être laissées allumées pendant des périodes prolongées
	L'échappement est obstrué	Vérifiez qu'il n'y a rien qui bloque l'échappement sur le devant .
L'eau de condensation sur le coffret et/ou les portes	Stocké une grande quantité de bouteilles chaudes dans le cabinet	Limitez la quantité de bouteilles chaudes qui sont stockées dans le cabinet en même temps.. Essayez d'introduire progressivement des charge chaudes si possible (ex. ne chargez pas plus de 6 bouteilles chaudes à la fois- trois par cabinet)
	Niveau de humidité élevé dans la maison..	La formation de l'eau de condensation s'arrêtera quand le niveau.d'humidité retours à normale
	Les portes ne sont pas fermées correctement ou son ouverte trop souvent	Assurez-vous que les portes sont fermées et que les joint étanches sont contre le coffret. Ouvrez les portes seulement quand nécessaire.

Si aucune des suggestions ci-dessus ne corrigent le problème, communiquez avec notre service d'assistance au **1-800-26-Danby® (1-800-263-2629)**.

MANUAL DEL USARIO

ÍNDICE

Información Importante de Seguridad

25

Precauciones de Seguridad	25
Instrucciones de Conexión a Tierra	26

Instrucciones de Operación

27

Características de su Heladera para Vinos	27
Controles de su Heladera para Vinos	28
Ajuste de Temperatura	28
Almacenamiento de Vinos	29
Instrucciones de los Estantes	29

Instrucciones de Instalación

30

Herramientas Necesarias	30
Preparación del Hueco	30

Cuidado y Limpieza

31

Consejos Útiles	31
Cómo limpiar el Interior	31
Cómo limpiar el Exterior	31

Diagnóstico de Problemas

32

Antes de Llamar por Asistencia	32
--------------------------------	----

Garantía

33

BIENVENIDO

Bienvenido a la familia Danby. Estamos orgullosos de nuestros productos de alta calidad y creemos en el servicio confiable.

Usted lo podrá apreciar en este manual fácil de usar, y lo escuchará en las voces amistosas de nuestro departamento de servicio al consumidor.

Tel.: 1-800-26-**Danby**[®]

Sobre todo, usted apreciará estas ventajas cada vez que use su heladera para vinos.

Eso es importante, ya que su nuevo artefacto formará parte de su familia por mucho tiempo.

¡Comience Aquí! Antes de usar su Heladera para Vinos

Escriba aquí el modelo y el número de serie. Se encuentran en una etiqueta en la parte de atrás de la Heladera para Vinos.

Abroche su recibo en la parte de atrás de este manual. Lo necesitará para obtener servicio de garantía.

Número de Modelo DWC2727BLS

Número de Serie

Fecha de compra

¿NECESITA AYUDA?

Antes de solicitar servicio, hay algunas cosas que puede hacer para ayudarnos a servirle mejor...

Lea este manual

Contiene instrucciones que lo ayudarán a mantener correctamente su heladera para vinos. Si usted recibe un artefacto dañado, llame inmediatamente al distribuidor (o constructor) que se lo vendió.

Ahorre tiempo y dinero.

Lea la sección de Diagnóstico de Problemas antes de llamar. Esta sección le ayudará a resolver problemas comunes que pudieran ocurrir.

Si necesita asistencia, no se preocupe y llámenos.

Tél.: 1-800-26-**Danby**[®]

INSTRUCCIONES IMPORTANTES DE SEGURIDAD

LEA TODAS LAS INSTRUCCIONES DE SEGURIDAD ANTES DE UTILIZARLA

ATENCIÓN

¡PELIGRO, LOS NIÑOS PODRÍAN QUEDAR ATRAPADOS!

Una heladera para vinos vacía es una atracción muy peligrosa para los niños. Remueva la junta, las trabas, la manija y/o las puertas de los artefactos que no se usen o se hayan desechado, o tome alguna otra medida para garantizar que sean inofensivos.

¡NO ESPERE, HAGA ESTO AHORA MISMO!

Para reducir el riesgo de incendio, quemaduras, descargas eléctricas o daños personales al usar su artefacto, siga las precauciones básicas incluidas en las secciones siguientes.

RECOMENDACIONES DE SEGURIDAD

- Este artefacto debe ser conectado a tierra. Conéctelo únicamente a un tomacorriente con conexión a tierra.

Vea las "Instrucciones de Conexión a Tierra" de la página 4.

- No use este artefacto si tiene el cable de alimentación o el enchufe dañado, si no funciona correctamente o si se ha dañado o caído.

- No modifique el cable de alimentación que viene con el artefacto.

- Mantenga el cable alejado de superficies calientes.

- No sumerja el cable de alimentación, el enchufe o el artefacto en agua.

- No use este producto cerca del agua, por ejemplo en un sótano húmedo, cerca de una piscina o cerca de una pileta.

- No use productos químicos corrosivos o vapores en este artefacto.

- Utilice este artefacto únicamente para los fines indicados en este manual.

- No almacene alimentos perecederos tal como (pero sin limitación) carnes y productos lácteos en su heladera para vinos.

- Guarde el vino en botellas cerradas únicamente.

- No tape u obstruya ninguna abertura de este artefacto.

- Este artefacto eléctrico es para uso domiciliario solamente. No intente usar o guardar este artefacto en el exterior.

- Este artefacto debe ser reparado únicamente por personal calificado. Llame al centro de reparaciones más cercano para que sea examinado, reparado o ajustado.

CONSERVE ESTAS INSTRUCCIONES

INSTRUCCIONES IMPORTANTES DE SEGURIDAD

INSTRUCCIONES DE LA CONEXIÓN A TIERRA

ATENCIÓN

La conexión inadecuada del cable de tierra puede causar riesgo de descarga eléctrica.

Este artefacto debe ser conectado a tierra. En caso de un corto circuito eléctrico, la conexión a tierra reduce el riesgo de una descarga eléctrica proporcionando un cable de retorno para la corriente eléctrica.

Este artefacto viene con un cable de alimentación que tiene un conductor y pata del enchufe de tierra. Este cable debe enchufarse en un tomacorriente debidamente instalado y con conexión a tierra.

Si no entiende claramente las instrucciones de conexión a tierra, o si no está seguro de que su tomacorriente esté correctamente conectado a tierra, llame a un electricista calificado.

Si el tomacorriente es uno común de 2 patas, es su responsabilidad personal y obligación el reemplazarlo por uno de 3 patas correctamente conectado a tierra.

Para obtener el mejor resultado, enchufe este artefacto en su propio tomacorriente para evitar que las luces titilen, quemar un fusible o disparar una llave térmica.

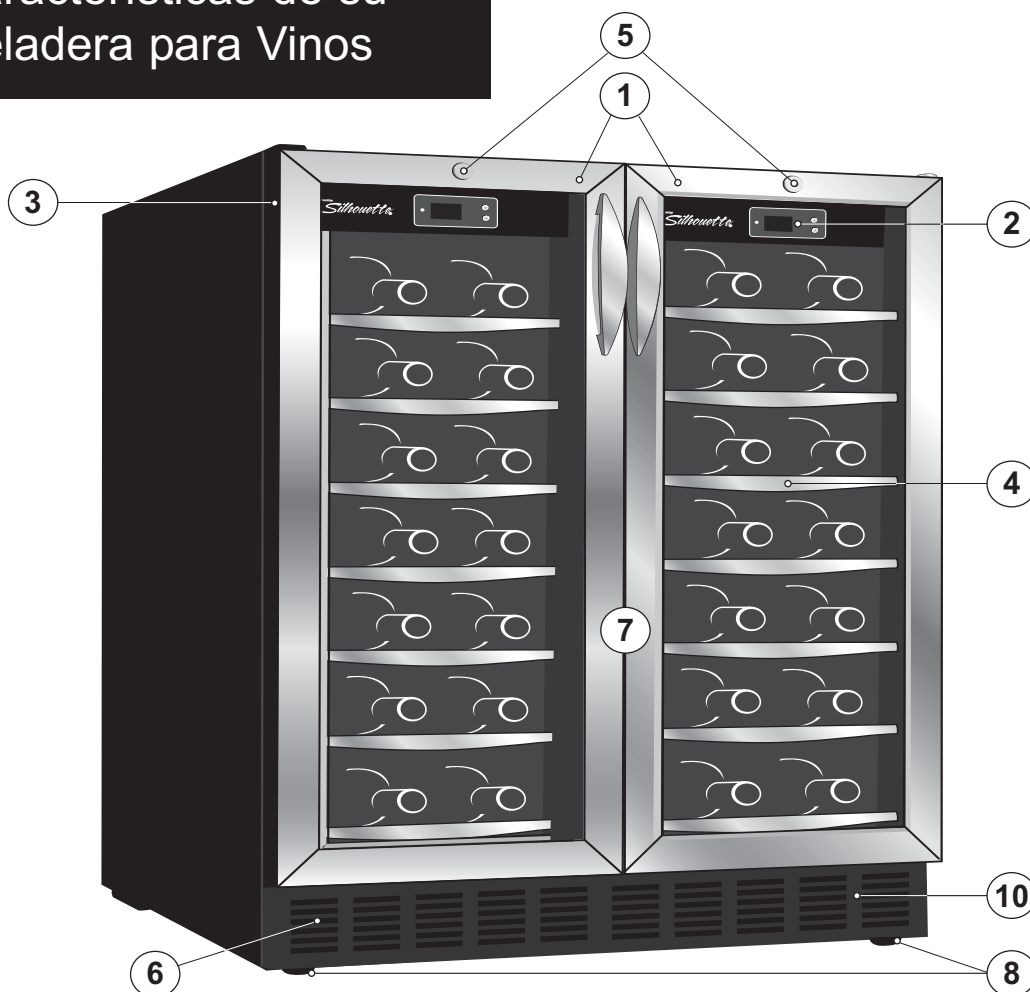
Nunca, bajo ninguna circunstancia, corte o remueva la tercera pata (tierra) del enchufe.

No use un enchufe adaptador con este artefacto

No use un cable de prolongación con este artefacto. Si el cable de alimentación es demasiado corto, haga que un electricista calificado o un técnico de reparaciones instale otro tomacorriente más cerca del artefacto.

Instrucciones de Operación

Características de su Heladera para Vinos



1. Componentes Independientes:

Separados para permitirle guardar diferentes tipos de vinos.

2. Controles Electrónicos Dobles:

Para regular independientemente la temperatura de ambos compartimientos de la heladera para vinos.

3. Juntas Magnéticas de la Puerta:

Las juntas ajustadas mantienen todo el poder de enfriamiento y los niveles de humedad.

4. Estantes con Terminación de acero inoxidable:

Se deslizan hacia fuera para facilitar el acceso al vino.

5. Trabas con llave a prueba de niños.

6. Escape Frontal: Permite su instalación empotrada.

7. Puertas de Vidrio Templado:

Permite ver fácilmente el interior. Polarizadas para proteger contra la radiación UV.

8. Patas Niveladoras

9. Luces Interiores (no se muestran):

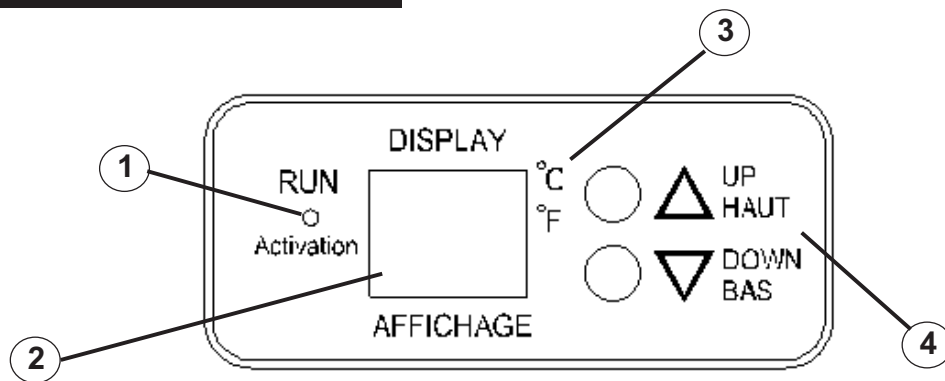
Se encienden cuando se abre cualquiera de las puertas.

10. Llave de Encendido para Luces

Interiores: Para encender/apagar manualmente las luces interiores con las puertas cerradas.

Instrucciones de Operación

Controles de su Heladera para Vinos



1. Run (Marcha)

Este indicador se enciende para indicar que el modo de refrigeración está funcionando.

2. Pantalla Electrónica

Muestra la temperatura actual del gabinete y la temperatura seleccionada. (Vea Ajuste de Temperatura más abajo).

3. °C / °F

La luz indicadora adyacente le indica la unidad correcta de temperatura.

4. Botón UP (Arriba)

Se usa para aumentar la temperatura en incrementos de 1 grado (más caliente).

Botón DOWN (Abajo)

Se usa para disminuir la temperatura en incrementos de 1 grado (más frío).

Ajuste de Temperatura

Los controles dobles de temperatura así como los compartimientos separados de la DWC2727BLS le permiten guardar distintos tipos de vinos y mantenerlos a temperaturas distintas.

Cuando enchufe su heladera para vinos por primera vez, la temperatura se ajustará automáticamente a 45°F (7°C) y 54°F (12°C) para los compartimientos de la izquierda y la derecha respectivamente y se indicarán en la escala Fahrenheit (°F).

- Para cambiar la indicación entre Fahrenheit (°F) y Celsius (°C), presione los botones UP y DOWN simultáneamente durante unos cinco (5) segundos.

- La temperatura de ambos compartimientos puede ajustarse desde 39°F (4°C) hasta 64°F (18°C) para satisfacer sus requerimientos específicos de la heladera para vinos. Cada vez que presione los botones de UP o DOWN podrá ajustar la temperatura en incrementos de 1 grado dentro del rango mencionado anteriormente.

Observaciones: En caso de interrupción en el suministro de energía eléctrica, se perderán todos los ajustes seleccionados y una vez que vuelva la energía, la unidad tendrá los ajustes iniciales de fábrica.

Instrucciones de Operación

Almacenamiento de Vinos

La capacidad máxima* de la DWC2727 es de 54 botellas de vino (de 750ml).

**Cuando se guarden de acuerdo con las instrucciones.*

Para poder alcanzar la capacidad máxima de almacenamiento de cincuenta y cuatro (54) botellas, será necesario colocar las botellas alternativamente en los seis estantes superiores, tal como se indica en la **Fig. A**. Esto le permitirá guardar cuatro (4) botellas de 750ml por estante en cada uno de los seis estantes superiores, y tres (3) botellas en el estante inferior logrando una capacidad máxima de cincuenta y cuatro (54) botellas.

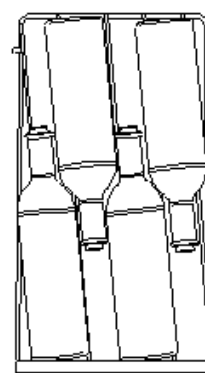


Fig A

Instrucciones de los Estantes

¡IMPORTANTE!

No recubra los estantes con papel de aluminio ni ningún otro material que evite la adecuada circulación de aire dentro del gabinete.

Para sacar un estante de su posición trabada, inclínelo como se indica en la **Fig. B** y tire hacia afuera.

Para volver a trabarlo, verifique que esté apoyado firmemente en los soportes de montaje y empújelo hacia adentro hasta que se trabe en su lugar.

Observación: El estante inferior de ambas secciones del gabinete no está trabado en su lugar. No intente extraerlo cuando tenga botellas de vino o el humidificador lleno de agua.

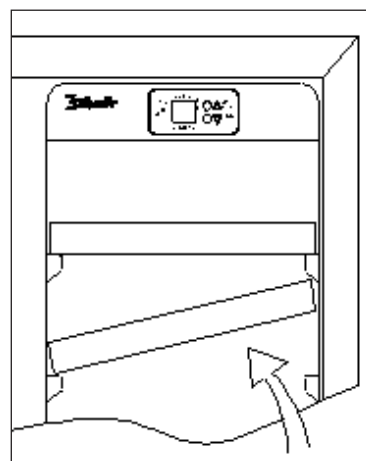


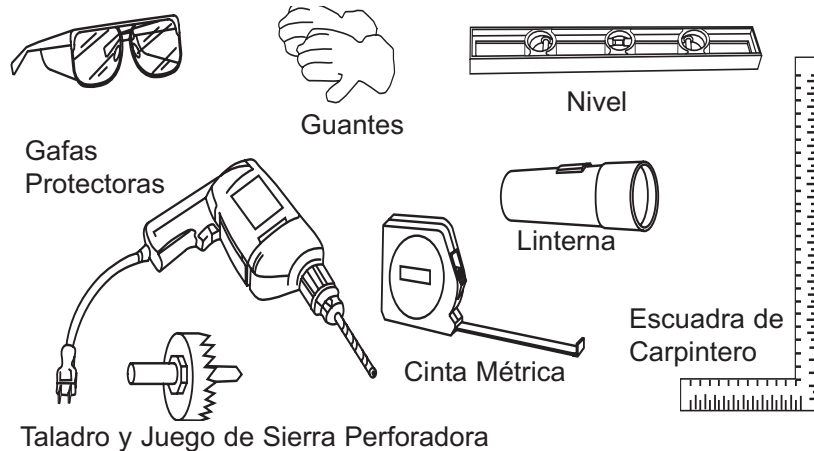
Fig B

Instrucciones de Instalación – Funcionamiento Empotrado

Herramientas Necesarias

POR SU SEGURIDAD:

Al realizar las instalaciones descritas en esta sección, use guantes, gafas de seguridad o gafas protectoras.



Preparación del Huevo

Requisitos Eléctricos:

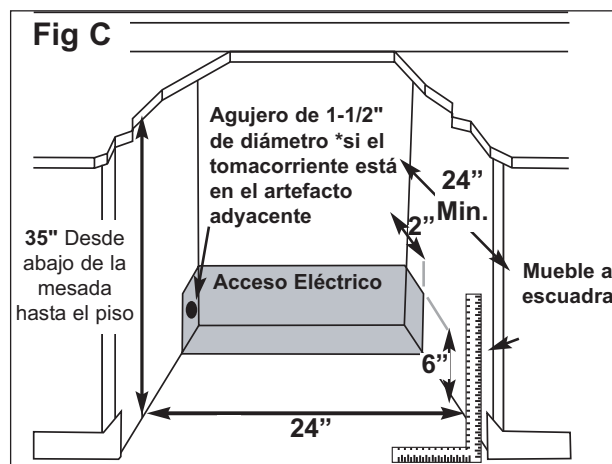
El artefacto debe conectarse a un circuito eléctrico independiente y correctamente conectado a tierra, protegido por una llave térmica de 15 o 20 amperes o un fusible lento.

- No le recomendamos instalar la heladera para vinos en una esquina (por ejemplo, directamente contra la pared). Esto le permitirá que las puertas puedan abrirse con un ángulo mayor a 90°. La apertura limitada de la puerta evitará que los estantes se deslicen hacia fuera, y podría llegar a dañar los sellos de la puerta.

- El hueco para el gabinete debe estar en una superficie nivelada y debe tener por lo menos 24" de profundidad por 24" de ancho. El hueco también deberá tener por lo menos 34 1/2" de alto.

- El tomacorriente eléctrico puede colocarse del lado de cualquiera de los artefactos adyacentes, o en la parte de atrás de la zona sombreada (como se indica en la Fig. C).

- Si el tomacorriente se coloca del lado del artefacto adyacente, haga un agujero de 1-1/2" de diámetro para pasar el cable de alimentación. Si la pared del mueble es de metal, los bordes del agujero deben cubrirse con un pasacables.



* Las profundidades requeridas para la instalación indicadas en la lista asumen que el tomacorriente está ubicado en el gabinete adyacente o empotrado a ras en la pared del fondo, no sobresaliendo de ésta.

Cuidado y Limpieza

Consejos Útiles

Deje la puerta de la heladera para vinos abierta por unos minutos luego de limpiarla para que se ventile y para secar el interior del gabinete.

NOTA: Verifique que la unidad esté apagada antes de limpiar cualquiera de sus partes.

Cómo limpiar el interior

Nunca use un limpiador comercial o abrasivo u objetos filosos en ninguna parte de la heladera para vinos.

Paredes, Piso, Interior de las Puertas y Estantes

Algunos sedimentos del agua y tierra pueden quitarse con una toalla seca de papel, otros pueden necesitar un trapo húmedo.

Cómo limpiar el exterior

No use limpiadores que tengan amoníaco o alcohol en la heladera para vinos.

El amoníaco o el alcohol pueden dañar la apariencia del artefacto.

Cubierta Exterior

Es importante mantener limpia la zona donde la puerta cierra contra el gabinete. Limpie esa área con trapo enjabonado. Enjuáguela y séquela completamente.

Superficie de la Puerta

Use únicamente detergentes livianos, no abrasivos, aplicados con una esponja limpia o un trapo suave. Enjuáguelo bien.

Panel de Control y Puerta

Repáselo con un trapo húmedo y séquelo completamente. No use limpiadores en aerosol, demasiada agua y jabón, objetos abrasivos o filosos en el panel de control ya que podría dañarlo.

Algunas toallas de papel también podrían rayar el panel de control.

Diagnóstico de Problemas

Antes de Llamar por Asistencia

Problema	Posible Causa	Qué Hacer
No Enciende.	Puede tener un fusible quemado o una llave térmica abierta en su instalación eléctrica.	Reemplace el fusible o encienda la llave general.
	Sobrevoltaje.	Desenchufe el equipo, espere unos segundos y vuelva a enchufarlo.
	El enchufe no está completamente insertado en el tomacorriente.	Verifique que el enchufe de 3 patas del equipo esté completamente insertado en el tomacorriente.
Temperatura del Gabinete demasiado alta	Ajuste la Temperatura	Verifique el ajuste de temperatura. Ajústelo si es necesario.
	La(s) puerta(s) no está(n) cerrada(s) correctamente o se han abierto demasiado.	Verifique que las puertas estén completamente cerradas y que las juntas estén cerrando bien contra el gabinete. Abra las puertas sólo lo necesario y por poco tiempo.
	Luces interiores encendidas	Las luces interiores son para iluminación temporaria del gabinete. No están diseñadas para estar encendidas por mucho tiempo.
	Escape de aire obstruido	Verifique que no haya nada bloqueando la salida de aire del frente.
	Se han agregado recientemente muchas botellas tibias al gabinete	Limite la cantidad de botellas tibias que agregue en el gabinete al mismo tiempo. Intente fraccionar el agregado de botellas todo lo posible. (Por ejemplo, no agregue mas de 6 botellas a la vez)
Condensación en el gabinete y/o las puertas	Alta humedad en el ambiente.	La condensación disminuirá cuando las condiciones de humedad vuelvan a la normalidad.
	La(s) puerta(s) no está(n) cerrada(s) correctamente o se han abierto demasiado.	Verifique que las puertas estén completamente cerradas y que las juntas estén cerrando bien contra el gabinete. Abra las puertas sólo lo necesario y por poco tiempo.

Si ninguno de los casos anteriores soluciona su problema, llame a nuestro departamento de servicio al cliente al **1-800-26-Danby® (1-800-263-2629)**.

Danby

Silhouette[®]

Model • Modèle • Modelo
DWC2727BLS

For service, contact your nearest service depot or call:

1-800-26-Danby[®]
(1-800-263-2629)

to recommend a depot in your area.

Pour obtenir de l'assistance, communiquez avec votre centre de service le plus rapproché ou composez le :

1-800-26-Danby[®]
(1-800-263-2629)

pour localiser le dépositaire de votre région

Para reparaciones, llame a su centro de reparaciones más cercano o al:

1-800-26-Danby[®]
(1-800-263-2629)

para recomendarle un centro de reparaciones en su área.

Integrated Wine Cooler

The model number can be found on the serial plate located on the back panel of the unit.

All repair parts available for purchase or special order when you visit your nearest service depot. To request service and/or the location of the service depot nearest you, call the TOLL FREE NUMBER.

When requesting service or ordering parts, always provide the following information:

- Product Type
- Model Number
- Part Description

Refroidisseur Intégré de Vin

Le numéro de modèle se trouve sur la plaque signalétique au dos de l'unité.

Vous pouvez vous procurer/commander toute pièce de rechange chez votre dépositaire le plus rapproché. Pour toute demande de service ou pour localiser le dépositaire/centre de service le plus rapproché, composez le NUMÉRO SANS FRAIS.

Pour toute demande de service ou commande de pièces, fournissez toujours l'information suivante :

- Type de produit
- Numéro de modèle
- Description de la pièce requise

Heladera Integral para Vinos

El número de modelo se encuentra en la placa ubicada en el panel posterior de la unidad.

Todas las partes de recambio pueden comprarse o encargarse especialmente en su taller de reparación autorizado. Para solicitar servicio y/o localizar el taller de servicio mas cercano, llame a nuestro NÚMERO SIN CARGO.

Proporcione siempre la siguiente información al solicitar servicio o al ordenar partes:

- Tipo de Producto
- Número de Modelo
- Descripción de la Parte

Danby Products Limited, Guelph, Ontario Canada N1H 6Z9
Danby Products Inc., Findlay, Ohio USA 45840