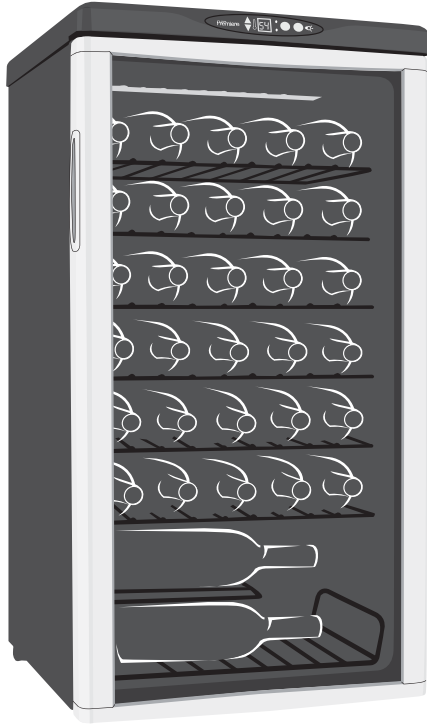


Danby® Designer

Owner's Use and Care Guide Guide d'utilisation et soins de Propriétaire

Model • Modèle
DWC3509EBLS



CAUTION:

Read and Follow All Safety Rules and Operating Instructions Before First Use of This Product.

ATTENTION:

Avant de faire fonctionner cette machine, lisez et suivez toutes les consignes de sécurité de ce guide en premier lieu.

INTEGRATED WINE COOLER

Owner's Use and Care Guide

- Important Safety Information
- Installation Instructions
- Operating Instructions
- Care and Cleaning
- Troubleshooting
- Warranty

..... 1 - 7

REFROIDISSEUR INTÉGRÉ DE VIN

Guide d'utilisation et soins de Propriétaire

- Consignes de Sécurité Importantes
- Instructions d'installation
- Instructions de Fonctionnement
- Soins et Entretien
- Dépannage
- Garantie

..... 8 - 14

WELCOME

Welcome to the Danby family. We're proud of our quality products and we believe in dependable service. You'll see it in this easy-to-use manual and you'll hear it in the friendly voices of our consumer service department.

1-800-26-Danby®
(1-800-263-2629)

Best of all, you'll experience these values each time you use your Wine Cooler. That's important, because your new appliance will be part of your family for a long time.

BEFORE USING YOUR WINE COOLER

Write down the model and serial numbers here. They are on a label located on the back of the unit. Staple your receipt to this manual; you will need it to obtain service under warranty.

Model Number: _____

Serial Number: _____

Date Purchased: _____

NEED HELP?

Before you call for service, there are a few things you can do to help us serve you better...

Read this manual

It contains instructions to help you use and maintain your appliance properly.

If you received a damaged appliance

Immediately contact the dealer (or builder) that sold you the wine cooler.

Save time and money

Check the Trouble Shooting section before calling. This section helps you solve common problems that may occur.

If you do need service, you can relax knowing help is only a phone call away:

Tel: 1-800-26-Danby®
(1-800-263-2629)



IMPORTANT SAFETY INFORMATION

READ ALL SAFETY INFORMATION BEFORE USING



WARNING

DANGER, RISK OF CHILD ENTRAPMENT!

An empty refrigerator is a very dangerous attraction to children. Remove either the gasket, latches, lids, lock and/or doors from unused or discarded appliances, or take some other action to guarantee it harmless. **DON'T WAIT, DO IT NOW!** To reduce the risk of fire, burns, electric shock, or injury to persons when using your appliance, follow basic precautions, including the following sections;

SAFETY PRECAUTIONS

• This appliance must be grounded. Connect only to a properly grounded outlet. See “Grounding Instructions” section below.

- Do not operate this appliance if it has a damaged power cord or plug, if it is not working properly, or if the appliance has been damaged or dropped.
- Do not splice the power cord that is equipped with this appliance.
- Keep power cord away from heated surfaces.
- Do not immerse power cord, plug or the appliance itself in water.
- Do not use this product near water—for example, in a wet basement, near a swimming pool or near a sink.
- Do not use corrosive chemicals or vapors in this appliance.
- Use this appliance only for its intended use, as described in this manual.
- Do not store perishable food items such as (but not limited to) meats and dairy products in your Wine Cooler.
- Store wine in sealed containers only.
- See door surface cleaning instructions in the “Care and Cleaning” section(s) of this manual.
- Do not cover or block any openings on the appliance.
- This appliance is intended for household use only. Do not attempt to operate or store this appliance outdoors.
- This appliance should be serviced only by qualified service personnel. Contact nearest authorized service facility for examination, repair or adjustment.

GROUNDING INSTRUCTIONS



WARNING: Improper use of the grounding plug can result in a risk of electric shock.

- This appliance must be grounded. In the event of an electrical short circuit, grounding reduces the risk of electric shock by providing an escape wire for the electric current.
- This appliance is equipped with a power cord having a grounding wire with a grounding plug. The plug must be plugged into an outlet that is properly installed and grounded.
- Consult a qualified electrician or service technician if the grounding instructions are not completely understood, or if doubt exists as to whether the appliance is properly grounded.
- If the outlet is a standard 2-prong wall outlet, it is your personal responsibility and obligation to have it replaced with a properly grounded 3-prong wall outlet.
- For best operation, plug this appliance into its own electrical outlet to prevent flickering of lights, blowing of fuse or tripping of circuit breaker.
- **Do not** under any circumstances cut or remove the third (ground) prong from the power cord.
- **Do not** use an adapter plug with this appliance.
- **Do not** use an extension cord with this appliance. If the power cord is too short, have a qualified electrician or service technician install an outlet near the appliance.

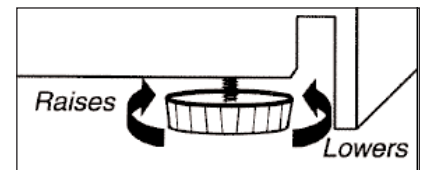
LEVELING INSTRUCTIONS



WARNING! Extreme Weight Hazard! Use 2 or more people when moving the wine cooler.

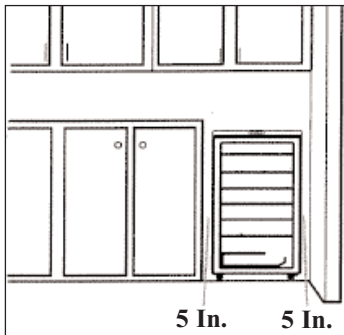
It is important that your wine cooler is level. To level the wine cooler:

- 1) Move the wine cooler to its final location.
- 2) Have someone gently lean on the front of the wine cooler to take some of the weight off of the leveling leg.
- 3) Turn the leveling leg clockwise to raise the wine cooler, or counter-clockwise to lower it. Continue in this manner until the wine cooler is level.



INSTALLATION INSTRUCTIONS

LOCATION REQUIREMENTS



DO...

- Select a location with a strong, level floor.
- Allow for 5 inches of space between the back of the appliance and any adjacent wall.
- Avoid direct sunlight and heat. Direct sunlight may affect the acrylic coating; heat sources nearby will cause higher electricity consumption.

DO NOT...

- Use this appliance outdoors: **This appliance is intended for household use only.** Do not attempt to operate or store this appliance outdoors.
- Build this appliance into an enclosure: **This appliance is designed for a Free-Standing application only** and is not intended to be “Built-In”.

DOOR REVERSAL INSTRUCTIONS

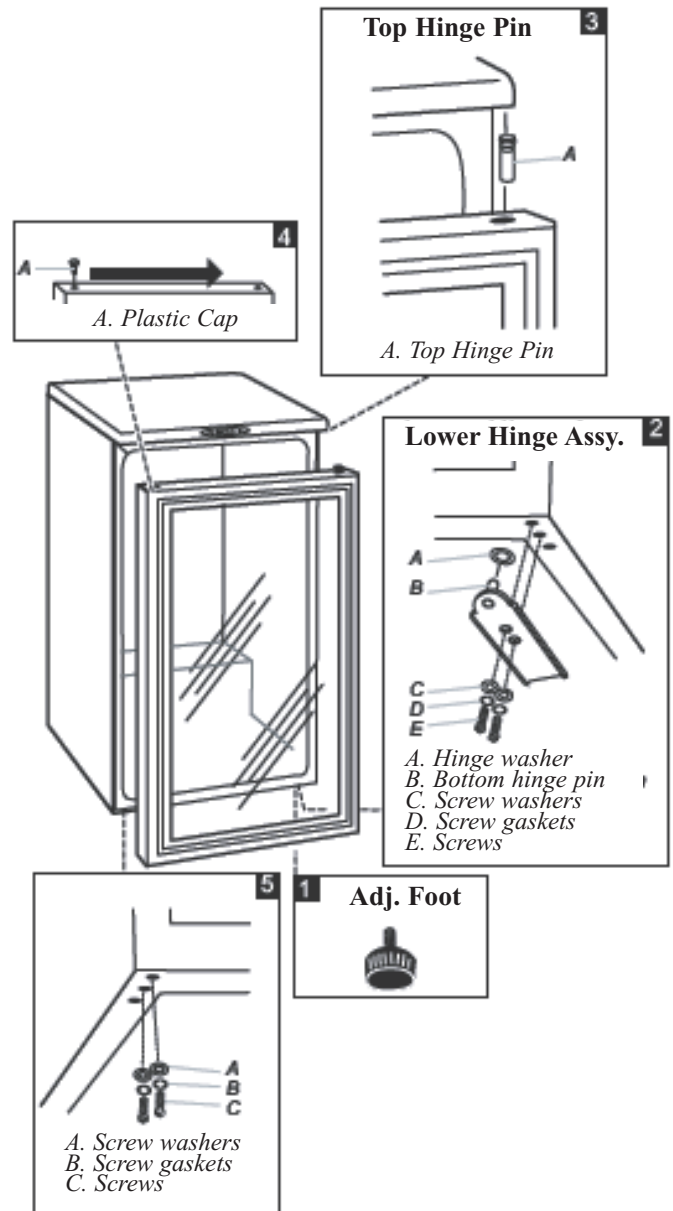
Door Removal

- 1) Unplug the wine cooler, empty all of its contents and carefully lay the unit on its back.
- 2) Remove the adjustable foot located beside the lower hinge assembly on the bottom right side of the cabinet (Fig. 1).
- 3) Unscrew the two retaining screws holding the lower hinge assembly to the bottom of the cabinet and set them aside (Fig. 2).
- 4) Pull the door downward until it releases from the top hinge pin (Fig. 3), and then set the door aside.

Door Reversal

- 5) Using a flathead screwdriver, transfer the top hinge pin from the right side of the worktop to the opposite (left) side of the worktop (Fig. 3).
- 6) Transfer the plastic cap located on the top left side of the door to the opposite (right) side of the door (Fig. 4).
- 7) Set the door onto the cabinet and push it upward until the top hinge pin is fully inserted into the opening on the top left side of the door.
- 8) Remove the two retaining screws on the bottom left side of the cabinet, and transfer them to opposite (bottom right) side of the cabinet (Fig. 5).
- 9) Insert the bottom hinge pin on the lower hinge assembly (Fig. 2) into the opening on the bottom left side of the door, and then align the door and lower hinge assembly with the cabinet.
- 10) Screw the lower hinge assembly (Fig.2) to the bottom of the cabinet by aligning the holes in the lower hinge assembly with the holes in the bottom of the cabinet.
- 11) Reinstall the adjustable foot removed in step 1 (Fig.1).
- 12) Ensure the door is squarely fitted to the cabinet and that all fastenings are secure. Stand the unit upright.

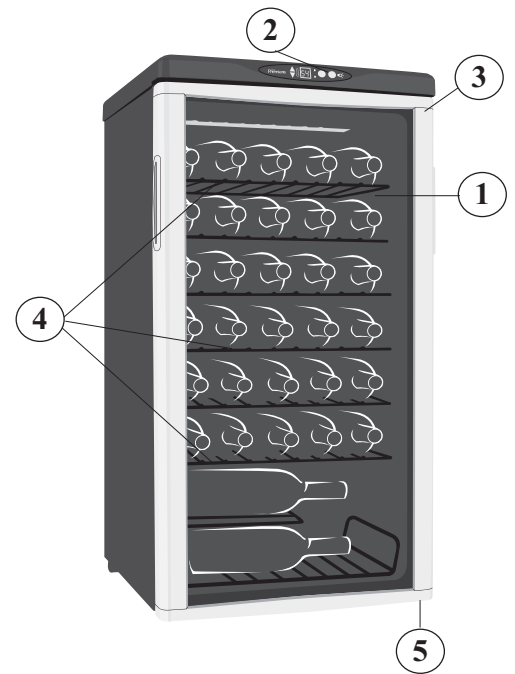
IMPORTANT: Allow the unit to stand upright for at least one hour prior to starting operation.



OPERATING INSTRUCTIONS

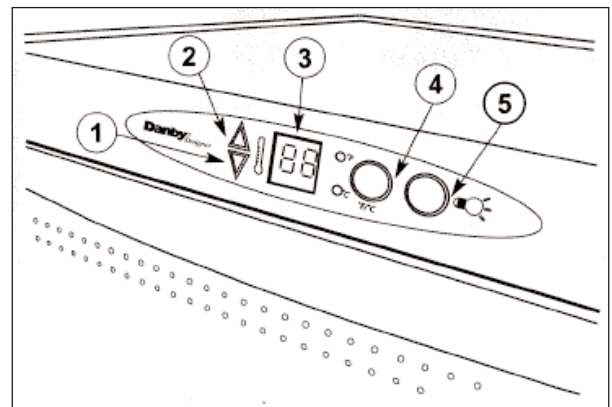
FEATURES OF YOUR WINE COOLER

- 1) Tempered Glass Door:** Tinted for UV protection while still allowing for easy interior viewing.
- 2) Electronic Display and Controls:** For viewing and regulating the temperature of the wine cooler.
- 3) Magnetic Door Gaskets:** Tight fitting seals retain all the cooling power and humidity levels.
- 4) Wire Wine Racks.**
- 5) Leveling Leg.**
- 6) Interior Light (not shown):** Illuminates the compartment when the door is opened.



THE CONTROLS OF YOUR WINE COOLER

- 1) “DOWN” BUTTON:** (Cooler) Used to decrease the temperature in 1° degree increments.
- 2) “UP” BUTTON:** (Warmer) Used to raise the temperature in 1° degree increments.
- 3) TEMPERATURE DISPLAY:** Display screen shows the temperature.
- 4) F° / C° BUTTON:** Used to switch between the Fahrenheit and Celsius scales. Adjacent indicator lights denote which scale of temperature is displayed.
- 5) INTERIOR LIGHT TOGGLE SWITCH:** Manually illuminate or extinguish exterior light.



SETTING THE TEMPERATURE

Important: In the event of a power failure, wait 3 to 5 minutes before restarting.

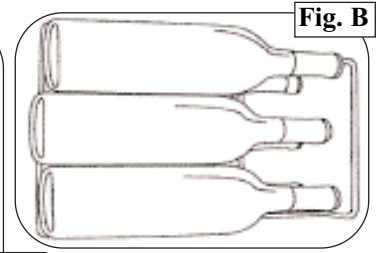
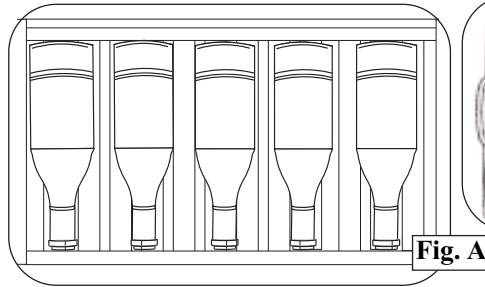
- To switch the display between the Fahrenheit (°F) and Celsius (°C) scale, depress the ‘Set Upper’ and ‘Set Lower’ control buttons simultaneously for approximately five (5) seconds.
- The temperature range can be set as low as 42.8°F (6°C) or as high as 57.2°F (14°C) to suit your specific wine storage requirements. Each depression of the ‘Set Upper’ or ‘Set Lower’ button will allow you to adjust the temperature in 1° increments within the aforementioned range.
- You may view your ‘set’ temperature at any time by briefly depressing either the ‘Set Upper’ or ‘Set Lower’ button. The *set* temperature will flash in the display area for 5 seconds before the display resumes showing the *current* cabinet temperature.

OPERATING INTRUCTIONS (cont'd)

WINE STORAGE

The Maximum Capacity* of the DWC3509EBLS is 35 (750mL) wine bottles.
* When stocked as per instructions below.

In order to achieve the maximum storage capacity of thirty five (35) bottles, it will be necessary to position five (5) bottles per the six (6) full width wine racks, for a total of 30 bottles (Fig. A). The remaining 5 bottles will fit on the bottom 2-tiered wine rack by loading each level of the staggered rack with up to 3 bottles, with the base of the bottle against the left-hand side of the cabinet (Fig. B). This will allow your Wine Cooler to accommodate 35 (750mL) wine bottles.



SHELF INSTRUCTIONS

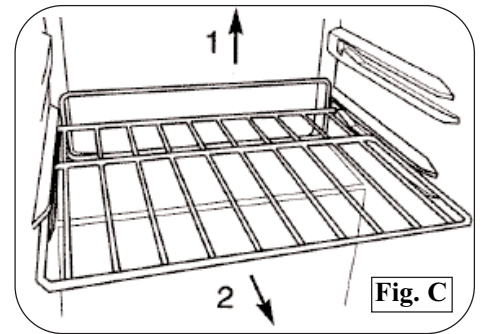
IMPORTANT!

Do not cover any part of the rack with aluminum foil or any other material that will prevent adequate air circulation within the cabinet.

To remove a rack from its locked position, lift the rack upward and then slide the rack out from the cabinet, as shown in Fig. C.

To re-install, ensure the rack is resting securely on the support brackets, and push the rack inward until it locks into place.

Note: The bottom wine rack is not secured in place (locked). Do not attempt to pull on the rack when it is stocked.



CARE AND CLEANING

HELPFUL HINTS

Allow the wine cooler door to remain open for a few minutes after manual cleaning to air out and dry the inside of the wine cooler cabinet

NOTE: Be certain the power is off before cleaning any part of this appliance.

HOW TO CLEAN THE INSIDE

Never use any commercial or abrasive cleaners or sharp objects on any part of the wine cooler.

Walls, Floor, Inside Window, and Shelves:

Some water deposits and dust can be removed with a dry paper towel, others may require a damp cloth.

HOW TO CLEAN THE OUTSIDE

Do not use cleaners containing ammonia or alcohol on the wine cooler. Ammonia or alcohol can damage the appearance of the appliance.

Outer Case:

It's important to keep the area clean where the door seals against the cabinet. Clean this area with a sudsy cloth. Rinse and then dry.

Door surface:

Use only mild, non-abrasive detergents applied with a clean sponge or soft cloth. Rinse well.

Control Panel and Door:

Wipe with a damp cloth and dry thoroughly. Do not use cleaning sprays, large amounts of soap and water, abrasive or sharp objects on the panel—they can damage it. Some paper towels may also scratch the control panel and door glass.

TROUBLESHOOTING

BEFORE YOU CALL FOR SERVICE

PROBLEM	POSSIBLE CAUSE	SOLUTION
1) No power.	<ul style="list-style-type: none"> • A fuse in your home may be blown or a circuit breaker tripped • Power surge • Plug is not fully inserted into wall outlet. 	<ul style="list-style-type: none"> • Replace fuse or reset circuit breaker. • Unplug the wine cooler, wait a few seconds and plug back in. • Make sure the 3-prong plug is fully inserted into outlet.
2) Cabinet temperature too high.	<ul style="list-style-type: none"> • Temperature Setting. • Door not shut properly or opened excessively. • Interior lights toggled on. • Exhaust vent is obstructed. • Recently added large quantity of warm bottles to cabinet. 	<ul style="list-style-type: none"> • Verify the temperature control setting; adjust if necessary. • Ensure door is fully closed and the gasket is sealing against the cabinets. Open door only as needed and for short periods of time. • The interior lights are intended for temporary lighting of cabinets for display purposes only. They are not intended to be left on for prolonged periods of time. • Verify that nothing is blocking front-mounted exhaust vent. • Limit quantity of warm bottles introduced at the same time. Stagger the load introduction if possible.
3) Condensation on the cabinet and/or doors.	<ul style="list-style-type: none"> • High humidity conditions in the home. 	<ul style="list-style-type: none"> • Ensure door is fully closed and gasket is sealing against the cabinet. Open the door only as needed and for short periods of time.

If none of the above rectify the situation please contact our customer care department at

1-800-26- Danby® (1-800-263-2629)

BIENVENUE

Bienvenue dans la famille Danby. Nous sommes fiers de nos produits de qualité et croyons au bien fondé de fournir une assistance fiable à nos clients. Vous le découvrirez par ce guide facile d'utilisation et vous pourrez l'entendre en provenance des voix amicales de notre service d'assistance à la clientèle.

1-800-26-Danby®
(1-800-263-2629)

Mais, ce qui est encore mieux, vous pourrez bénéficier de ces valeurs à chaque utilisation de votre Centre de Breuvages. Ceci est important parce que votre nouvelle appareil fera partie de votre famille pour longtemps.

AVANT D'UTILISER VOTRE REFROIDISSEUR DE VIN

Enregistrez ici les numéros de modèle et de série. Ces numéros se trouvent sur l'étiquette au dos de l'appareil. Agrafez votre reçu d'achat à l'arrière de de guide. Il sera requis pour faire une réclamation de la garantie.

Numéro de modèle: _____

Numéro de série: _____

Date d'achat: _____

EN CAS DE BESOIN D'ASSISTANCE

Voici quelques contributions que vous pouvez effectuer avant de faire un appel de service, pour nous aider à mieux vous servir :

Lisez ce guide

Il comprend des instructions pour vous assister à l'utilisation et l'entretien adéquats de votre refroidisseur de vin.

Si votre appareil neuf est avarié

Communiquez immédiatement avec le revendeur (ou le fabricant).

Épargnez temps et argent

Avant de faire un appel de service, révisez le chapitre intitulé "Dépannage". Ce chapitre vous aidera à solutionner des problèmes communs qui pourraient survenir.

Si une réparation est requise, vous pouvez avoir l'esprit tranquille parce que de l'aide ne sera l'affaire que d'un appel téléphonique.

Tel: 1-800-26-Danby®
(1-800-263-2629)

INFORMATION DE SÉCURITÉ IMPORTANTES

LISEZ TOUTES LES INFORMATIONS DE SÉCURITÉ AVANT DE FAIRE FONCTIONNER L'APPAREIL

ATTENTION DANGER, RISQUE DES ENFANTS DEVIENNENT COINCER DANS L'APPAREIL

Un réfrigérateur vide est une attraction dangereuse aux enfants. Enlever les joints étanches, les loquets, les couvercles ou les porte des appareils qui ne sont pas utiliser, ou faites de soit que l'appareil ne présente aucun danger. **N'ATTENDEZ PAS! FAITES-LE IMMEDIATEMENT!**

Pour minimiser le risque d'incendie, de brûlures, de chocs électriques ou de blessures, suivez les chapitres suivants en plus d'appliquer les précautions de base.

PRÉCAUTIONS • Cet appareil doit être mis à la terre. Branchez le seulement dans une prise correctement mise à la terre.

Référez-vous au chapitre intitulé "Instructions de mise à la terre" ci-dessous.

- Ne faites pas fonctionner cet appareil s'il a un cordon ou fiche électrique endommagé, s'il ne fonctionne pas correctement, ou si l'appareil a été endommagé ou échappé.
- N'épissez pas le cordon électrique
- Gardez le cordon électrique éloigné des sources de chaleur.
- N'immersez pas le cordon ou sa fiche dans aucun liquide.
- N'utilisez pas cet appareil près de bassins d'eau, par exemple dans un sous-sol détrempe, près d'une piscine ou d'un évier.
- N'utilisez pas de produits chimiques ou vapeurs corrosives dans/près de cet appareil.
- N'utilisez cet appareil que pour les fins auxquelles il est conçu comme indiqué dans ce guide.
- Ne placez pas les articles périssables de nourriture dans votre centre de breuvages. (Pour exemple, les viandes et les produits laitiers)
- Entrez les breuvages dans des bouteilles scellées seulement.
- Référez-vous aux instructions de nettoyage du fini de la porte se trouvant au(x) chapitre Soins et Entretien.
- Ne recouvrez pas ou n'obstruez aucune ouverture de l'appareil.
- Cet appareil est conçu pour un usage domestique à l'intérieur seulement. N'entrez ni n'utilisez pas cet appareil à l'extérieur.
- Cet appareil ne devrait être réparé que par du personnel qualifié. Pour tout examen, réparation ou réglage, contactez votre centre de service le plus rapproché.

INSTRUCTIONS DE MISE À LA TERRE



AVERTISSEMENT: Une mauvaise utilisation de la mise à la terre de la fiche constitue un danger d'électrocution.

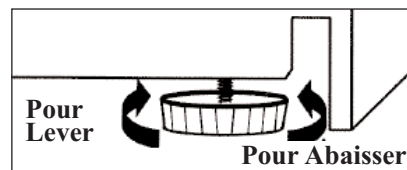
- Cet appareil doit être mis à la terre. Dans l'éventualité d'un court-circuit, la mise à la terre procure un chemin direct de contournement du courant pour prévenir l'électrocution des manipulateurs de l'appareil.
- Cet appareil est muni d'un cordon comprenant une fiche et fil de mise à la terre.
- La fiche doit être branchée dans une prise correctement installée et mise à la terre.
- Si les directives de mise à la terre ne sont pas tout à fait comprises ou en cas de tout doute relatif à la mise à la terre appropriée de l'appareil, faites appel à un électricien ou à un technicien qualifié.
- Si la prise murale est une prise à 2 branches, c'est votre obligation, et la responsabilité vous en incombe, de la faire remplacer par une prise à trois branches adéquatement mise à la terre. Pour un meilleur rendement et pour éviter que les ampoules d'éclairage de la résidence soient affectées d'un affaiblissement de tension, ou que le fusible ou disjoncteur du circuit ne grille ou ne se déclenche, dédiez un circuit individuel d'alimentation à la machine à glaçons (prise (double) unique sur le circuit).
- **Sous aucun** prétexte il est permis de couper ou d'enlever la troisième branche (mise à la terre) de la fiche du cordon électrique.
- **N'utilisez pas** d'adaptateur de fiche avec cet appareil.
- **N'utilisez pas** de cordon de rallonge avec cet appareil. Si le cordon électrique de l'appareil ne rejoint pas la prise murale, faites installer une prise plus rapprochée par un électricien ou un technicien qualifié.

INSTRUCTIONS DE MISE À NIVEAU

Danger de poids excessif! Il faut deux personnes ou plus pour déplacer le refroidisseur de vin.

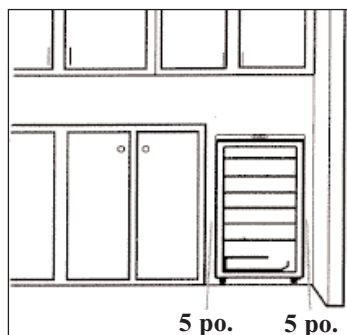
Il est important que votre refroidisseur de vin soit à niveau. Pour mettre le refroidisseur de vin à niveau :

- 1) Installez le refroidisseur de vin à sa position finale.
- 2) Demandez à une autre personne d'appliquer une légère pression sur la partie avant supérieure du refroidisseur de vin pour l'incliner et alléger la pesant sur les pattes de réglage de mise à niveau.
- 3) Pivotez les pattes de mise à niveau dans le sens des aiguilles d'une montre pour lever le refroidisseur à vin ou dans le sens contraire pour l'abaisser



INSTALLATION INSTRUCTIONS

EXIGENCES DE LOCALISATION



À FAIRE...

- Choisir un endroit avec un plancher solide et au niveau.
- Laisser un espace de 12,7 cm (5 po) entre l'arrière de l'appareil et tout mur adjacent.
- Éviter l'exposition au soleil direct et à la chaleur. Le soleil direct peut affecter la couche d'acrylique. Les sources de chaleur à proximité peuvent causer une plus grande consommation d'électricité.

À NE PAS FAIRE...

- Utiliser cet appareil à l'extérieur: **Cet appareil a été conçu pour usage domestique seulement.** Ne pas faire fonctionner ou entreposer cet appareil à l'extérieur.
- Incorporer cet appareil dans une armoire: **Cet appareil est conçu pour une utilisation autonome seulement** et n'est pas prévu pour être encastré.

INSTRUCTIONS DE L'INVERSION DE PORTE

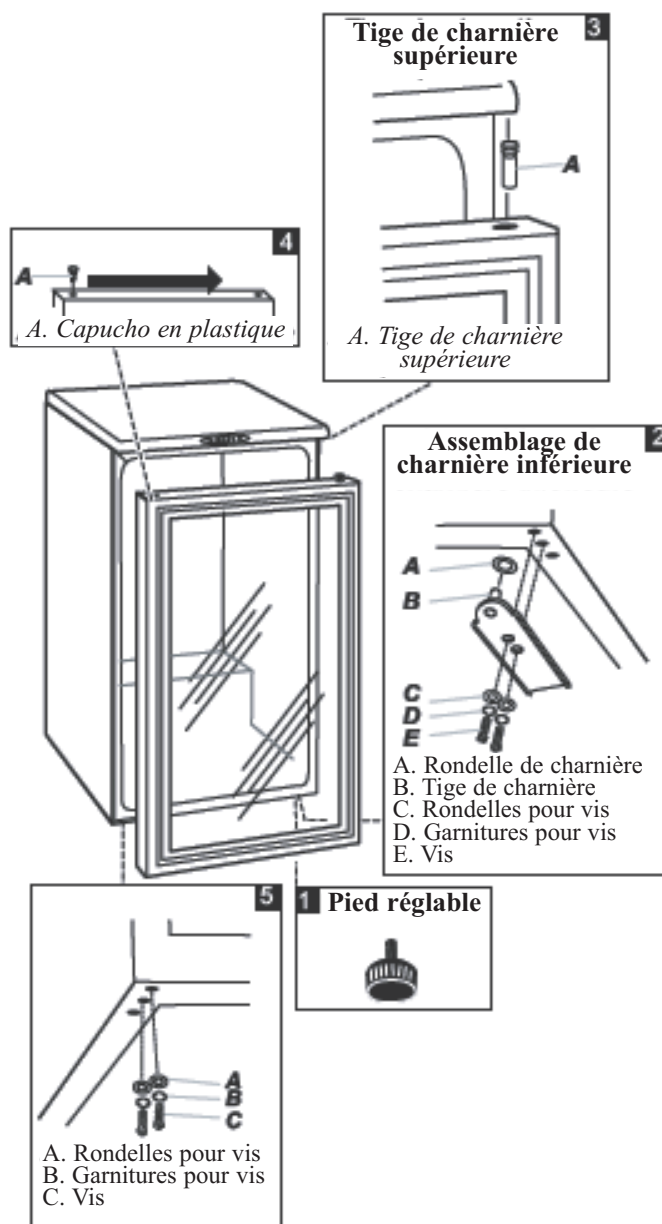
Enlèvement de la porte

- 1) Débranchez le réfrigérateur à vin, videz-le complètement de son contenu et renversez délicatement l'unité sur le dos.
- 2) Enlevez le pied réglable situé près de l'assemblage de charnière inférieure au côté droit inférieur du cabinet (Fig.1).
- 3) Dévissez les deux vis qui retiennent l'assemblage de charnière inférieure sur la partie inférieure du cabinet et mettez-les de côté (Fig.2).
- 4) Tirez la porte vers le bas jusqu'à ce qu'elle soit dégagée de la tige de charnière supérieure (Fig.3) et mettez la porte de côté.

Inversement de la porte

- 5) En utilisant un tournevis à tête plate, transférez la tige de charnière supérieure du côté droit de la surface de travail au côté opposé (gauche) de la surface de travail (Fig.3).
- 6) Transférez le capuchon en plastique situé sur le côté supérieur gauche de la porte au côté opposé (droit) de la porte (Fig.4).
- 7) Placez la porte sur le cabinet et poussez-la vers le haut jusqu'à ce que la tige de charnière supérieure soit entièrement insérée dans l'ouverture sur le côté gauche supérieur de la porte.
- 8) Retirez les deux vis de retenue sur le côté gauche inférieur du cabinet et transférez-les au côté opposé (inférieur droit) du cabinet (Fig.5).
- 9) Insérez la tige de charnière inférieure sur l'assemblage de charnière inférieure (Fig.2) dans l'ouverture du côté inférieur gauche de la porte et alignez ensuite la porte et l'assemblage de charnière inférieure avec le cabinet.
- 10) Vissez l'assemblage de charnière inférieure (Fig.2) sur la partie inférieure du cabinet en alignant les orifices de l'assemblage de charnière inférieure avec les orifices dans la partie inférieure du cabinet.
- 11) Réinstallez le pied réglable enlevé précédemment à l'étape 1 (Fig.1).
- 12) Assurez-vous que la porte soit carrément adaptée sur le cabinet et que toutes les pièces de fixation soient resserrées à fond. Placez l'unité en position verticale.

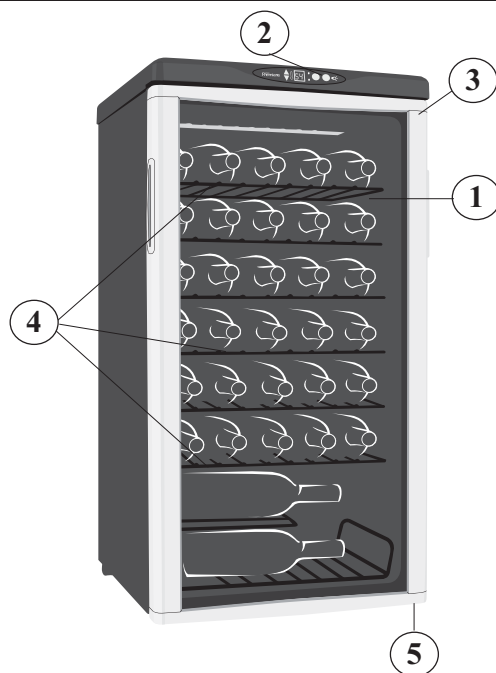
IMPORTANT: Laissez l'unité dans la position debout pour au moins 1 heure avant de la faire fonctionner.



INSTRUCTIONS DE FONCTIONNEMENT

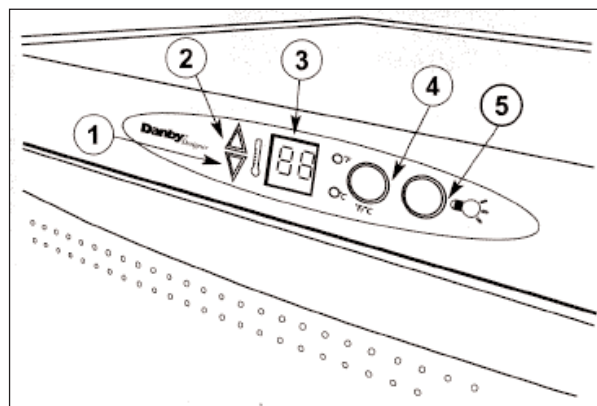
CARACTÉRISTIQUES DE VOTRE REFROIDISSEUR DE VIN

- 1) Portes En Verre Trempé:** Teinté pour protéger contre les rayons UV tout en permettant de voir facilement le contenu du cabinet.
- 2) Affichage et Controls Électroniques:** Affichage et réglage de la température du refroidisseur de vin.
- 3) Joint Étanche Magnétique:** Le joint étanche permet de conserver le niveau de température et d'humidité à l'intérieur du cabinet.
- 4) Supports de vin de fil.**
- 5) Pied Ajustable.**
- 6) Lumière Intérieures (non illustré):** S'allume lorsqu'on ouvre la porte du cabinet.



COMMANDES DE VOTRE REFROIDISSEUR DE VIN

- 1) 'HAUT' bouton de commande:** Augmenter la température (plus chaud) par intervalle de un degré
- 2) 'BAS' bouton de commande:** Diminuer la température (plus froid) par intervalle de un degré.
- 3) Température de cabinet:** L'écran affiche la température courante du cabinet.
- 4) C° / F°:** Utilisé pour passer de l'échelle Fahrenheit à Celsius et vice versa. Le voyant situés à côté, dénote quelle balance de la température est montrée.
- 5) Interrupteur à Bascule:** Manuellement illuminer ou éteignez les lumières intérieures.



RÉGLAGE DU TEMPÉRATURE

IMPORTANT: En cas de panne de courant attendez de 3 à 5 minutes avant de redémarrer.

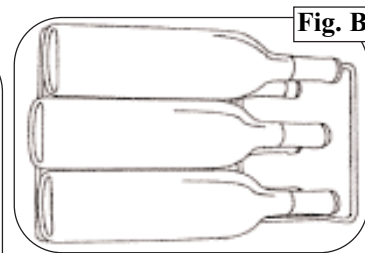
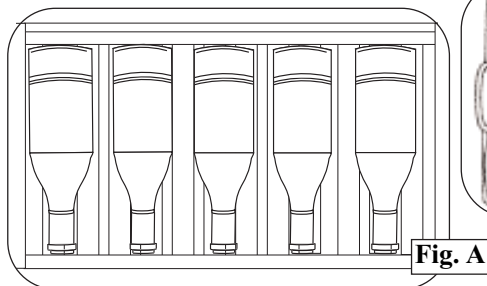
- Pour changer l'affichage entre la température en Celsius (°C) et la température en Fahrenheit (°F) appuyez sur les bouton de control 'Réglage Supérieure' et 'Réglage Inférieure' en même temps pour environ 5 secondes.
- La température pour le compartiment peut être ajustée aussi basse que 39°F (4°C) ou aussi haut que 64°F (18°C) pour satisfaire à vos besoin spécifiques pour votre entreposage de vin. Chaque pression du bouton commande 'Réglage Supérieure' ou 'Réglage Inférieure' vous permettra d'ajuster la température par intervalle de un degré (1°) dans la marge mentionnée ci-dessus.
- Pour voir le réglage de la température (peu importe le moment), appuyez sur le bouton de control 'Réglage Supérieure' ou 'Réglage Inférieure'. La température réglée clignotera dans la fenêtre d'affichage pendant environ 5 secondes et reviendra alors automatiquement à l'affichage de la température ambiante de la pièce.

INSTRUCTIONS DE FONCTIONNEMENT (suite)

ENTREPOSAGE DES VINS

La capacité **maximum* du DWC3509EBLS est 35 bouteilles du vin (750ml).
** Quand il est stocké en utilisant les instructions fournies.*

Le cabinet à vin peut accepter un maximum de 35 bouteilles de vin de 750 ml. Chaque tablette contient jusqu'à cinq (5) bouteilles quand elles sont rangées conformément à la Fig A. Chargez le niveau inférieur et supérieur de la tablette avec un maximum de trois (3) bouteilles (comme la Fig. B), pour un maximum capacité de 35 (750mL) bouteilles de vin



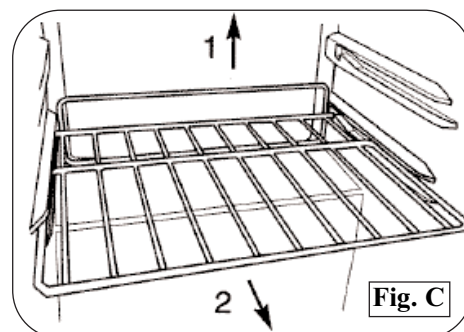
INSTRUCTIONS POUR TABLETTES

IMPORTANT ! Ne couvrez toute partie des étagères de papier d'aluminium ou d'aucun autre matériel qui empêcheront à circulation d'air proportionnée dans le coffret.

Pour enlever une tablette de la position verrouillée, incline l'étagère comme montré dans la figure C et tire à l'extérieur.

Pour réinstaller, assurez l'étagère se repose sur les supports et poussée la tablette vers l'intérieur jusqu'à ce qu'elle soit verrouillée en place.

Remarque: La tablette à vin inférieure n'est pas fixée en position (sécurisée). Ne pastenter de tirer sur la tablette quand elle est chargée.



SOINS ET ENTRETIEN

CONSEILS UTILS

Après nettoyage, laissez la porte de la machine ouverte durant quelques minutes pour aérer et assécher l'intérieur de l'armoire.
NOTE : Avant de nettoyer cet appareil, assurez-vous que l'alimentation est coupée.

COMMENT NETTOYER L'INTÉRIEUR

N'utilisez jamais de nettoyant industriels sur aucune partie de votre refroidisseur de vin

Parois, Plancher, Intérieur de la Visière et Tablettes:

Certaines éclaboussures d'eau et poussières peuvent être essuyées avec des essuie-tout. D'autres taches peuvent nécessiter un linge humide.

COMMENT NETTOYER L'EXTÉRIEUR

N'utilisez pas de produits nettoyants comprenant de l'ammoniaque ou de l'alcool sur l'appareil. L'ammoniaque ou l'alcool peuvent altérer le fini de l'appareil.

Extérieur de l'armoire:

Il est important de garder la région de scellement de la porte sur l'armoire propre. Nettoyez avec un tissu savonneux, rincez le région et puis séchez

Surface du Porte:

N'utilisez que des détergents doux, non abrasifs, appliqués avec une éponge propre ou un chiffon doux. Rincez abondamment.

Panneau de commande et Porte:

Essuyez avec un chiffon humide. Asséchez bien avec un chiffon sec. N'utilisez pas de nettoyants en aérosol, de grandes quantités d'eau et de savon, d'abrasifs ou d'objets acérés sur le panneau, ceci pourrait l'endommager. Certains essuie-tout peuvent aussi égratigner le panneau de commande et verre de la porte.

DÉPANNAGE

AVANT DE PLACER UN APPEL DE SERVICE

PROBLÈME	CAUSE PROBABLE	SOLUTION
1) L'appareil n'es pas alimenté.	<ul style="list-style-type: none"> • Un fusible de votre panneau de distribution peut être grillé ou le disjoncteur déclenché. • Surtension. • La fiche n'est pas complètement insérée dans la prise murale. 	<ul style="list-style-type: none"> • Remplacez le fusible ou réarmez le disjoncteur. • Débranchez la refroidisseur de Vin et attendez quelques secondes, et puis rebranchez la. • Assurez-vous que la fiche à 3 branches de l'appareil est complètement insérée dans la prise.
2) La température dans la cabinet est trop haute.	<ul style="list-style-type: none"> • Réglage du température. • Le porte n'est pas fermées correctement ou ouverte trop souvent. • Lumières Intérieures. • L'échappement est obstrué. • Stocké une grande quantité de bouteilles chaudes dans le cabinet. 	<ul style="list-style-type: none"> • Vérifiez que la commande est réglée le cabinet est trop haute. à la bonne arrangement. • Assurez-vous que la porte est fermées et que le joint étanche est contre le coffret. Ouvrez la porte seulement quand nécessaire. • Les lumières intérieures sont pour éclairage provisoire seulement. Ils ne sont pas censés d'être laissées allumées pendant des périodes prolongées • Vérifiez qu'il n'y a rien qui bloque l'échappement sur le devant. • Limitez la quantité de bouteilles chaudes qui sont stockées dans le cabinet en même temps. Essayez d'introduire progressivement des charge chaudes si possible.
3) L'eau de condensation sur le coffret et/ou les portes.	<ul style="list-style-type: none"> • Niveau de humidité élevé dans la maison. • La porte n'est pas fermées correctement ou son ouverte trop souvent. 	<ul style="list-style-type: none"> • La formation de l'eau de condensation s'arrêtera quand le niveau d'humidité retours à normale. • Assurez-vous que la porte est fermée et que le joint étanche est contre le coffret. Ouvrez la porte seulement quand nécessaire.

Si aucune de ce qui précède ne rectifie la situation svp entrez en contact avec notre département de soin de client à **1-800-26-Danby® (1-800-263-2629)**

Danby® Designer

Model • Modèle
DWC3509EBLS

For service, contact your nearest service depot or call:

1-800-26-Danby®
(1-800-263-2629)

to recommend a depot in your area.

Pour obtenir de l'assistance, communiquez avec votre centre de service le plus rapproché ou composez le :

1-800-26-Danby®
(1-800-263-2629)

pour localiser le dépositaire de votre région

Free-Standing Wine Cooler

The model number can be found on the serial plate located on the back panel of the unit.

All repair parts are available for purchase or special order when you visit your nearest service depot. To request service and/or the location of the service depot nearest you, call the TOLL FREE NUMBER.

When requesting service or ordering parts, always provide the following information:

- **Product Type**
- **Model Number**
- **Part Description**

Refroidisseur de Vin pour application autonome

Le numéro de modèle se trouve sur la plaque signalétique au dos de l'unité.

Vous pouvez vous procurer/commander toute pièce de rechange chez votre dépositaire le plus rapproché. Pour toute demande de service ou pour localiser le dépositaire/centre de service le plus rapproché, composez le NUMÉRO SANS FRAIS.

Pour toute demande de service ou commande de pièces, fournissez toujours l'information suivante :

- **Type de produit**
- **Numéro de modèle**
- **Description de la pièce requise**

Danby Products Limited, Guelph, Ontario Canada N1H 6Z9
Danby Products Inc., Findlay, Ohio USA 45839-0669