



# Danby

- Owner's Use and Care Guide
- Guide d'utilisation et soin de Propriétaire
- Manual de Instruccions Pare el Uso y el Cuidado de su Unidad

**WINE COOLER  
REFROIDISSEUR À VIN  
REFRIGERADOR PARA VINOS**

Model • Modèle • Modelo **DWC93BLSDB**



# Contents

<b>WINE COOLER</b> <b>Owner's Use and Care Guide</b>	<b>2- 10</b>
<ul style="list-style-type: none"><li>• Safety Instructions</li><li>• Installation Instructions</li><li>• Operating Instructions</li><li>• Care and Maintenance</li><li>• Troubleshooting</li><li>• Warranty</li></ul>	
<b>REFROIDISSEUR À VIN</b> <b>Guide d'utiliser et soin de propriétaire</b>	<b>11-19</b>
<ul style="list-style-type: none"><li>• Consignes de Sécurité Important</li><li>• Instructions d'installation</li><li>• Consignes d'utilisation</li><li>• Soins et entretien</li><li>• Dépannage</li><li>• Garantie</li></ul>	
<b>REFRIGERADOR PARA VINOS</b> <b>Guide d'utiliser et soin de propriétaire</b>	<b>20-28</b>
<ul style="list-style-type: none"><li>• Instrucciones de Seguridad Importantes</li><li>• Instrucciones D'Instalacion</li><li>• Operación</li><li>• Limpieza y Mantenimiento</li><li>• Solución Sugerida</li><li>• Garantia</li></ul>	

## **! CAUTION:**

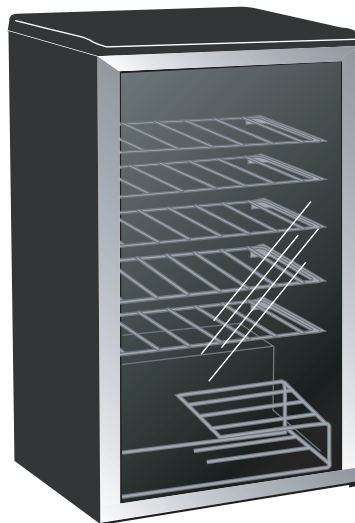
Read and follow all safety rules and operating instructions before first use of this product.

## **! PRECAUTION:**

Veillez lire attentivement les consignes de sécurité et les instructions d'utilisation avant l'utilisation initiale de ce produit.

## **! PRECAUCION:**

Lea y observe todas las reglas de seguridad y las instrucciones de operación antes de usar este producto por primera vez.



# Welcome

Welcome to the Danby family. We're proud of our quality products, and we believe in dependable service; like you will find in this owner's use and care guide, and like you will receive from our friendly customer service department. Best of all, you will experience these values each and every time you use your **Danby appliance**. That's important, because your new appliance will be a part of your family for a long time.

For easy reference, may we suggest that you attach a copy of your sales receipt to this page, and note the information below; you will need this information to obtain service under warranty.

**Model No:** \_\_\_\_\_

**Serial No:** \_\_\_\_\_

**Date Purchased:** \_\_\_\_\_

## Need Help?

Before you call for service, there are a few things you can do to help us serve you better.

**Read this Owner's Use and Care Guide:**

It contains instructions to help you use and maintain your appliance properly.

**If you received a damaged appliance:**

Immediately contact the builder (or dealer) that sold you the Wine Cooler.

**Save time and money:**

Check the Trouble shooting section before calling. This section helps you solve common problems that may occur.

If you do need service, you can relax knowing help is only a phone call away.



Tel: 1-800-26-**Danby**  
(1-800-263-2629)



# Important Safety Information

**READ AND FOLLOW ALL SAFETY INSTRUCTIONS**

This appliance must be grounded. In the event of an electrical short circuit, grounding reduces the risk of electrical shock by providing an escape wire for the electrical current.

## ELECTRICAL REQUIREMENTS

This appliance is equipped with a cord having a grounding wire with a grounding plug. The plug must be plugged into an outlet that is properly installed and grounded.

### **IMPORTANT WARNING**

An empty wine cooler is a very dangerous attraction to children. Remove either the gasket or lid from unused appliances, or take some other action that will guarantee it harmless.

### **WARNING**

Improper use of the grounding plug can result in a risk of electric shock. Consult a qualified electrician or serviceman if the grounding instructions are not completely understood, or if doubt exists as to whether the appliance is properly grounded.

### **DO NOT USE AN EXTENSION CORD**

Use an exclusive wall outlet. Do not connect your wine cooler to extension cords or together with any other appliance in the same wall outlet.

**DANGER: Risk of child entrapment.** Before you throw away your old wine cooler / refrigerator / freezer etc:

- Take off the doors.
- Leave the shelves in place so that children may not easily climb in.

## **DON'T WAIT DO IT NOW! SAVE THESE INSTRUCTIONS**

## SAFETY PRECAUTIONS

- Do not operate this appliance if it has a damaged power cord or plug, if it is not working properly, or if the appliance has been damaged or dropped. Do not splice the power cord that is equipped with this appliance.
- Keep power cord away from heated surfaces.
- Do not immerse power cord, plug or the appliance itself in water.
- Do not use this product near water- for example, in a wet basement, near a swimming pool or near a sink.
- Do not use corrosive chemicals or vapors in this appliance.
- Use this appliance only for its intended use, as described in this manual.
- Do not store perishable food items such as (but not limited to) meats and dairy products in your Wine Cooler.
- Store wine in sealed containers only.
- See door surface cleaning instructions in the "Care and Cleaning" section(s) of this manual.
- Do not cover or block any openings on the appliance.
- This appliance is intended for household use only. Do not attempt to operate or store this appliance outdoors.
- This appliance should be serviced only by qualified service personnel. Contact nearest authorized service facility for examination, repair or adjustment.



# Installation Instructions

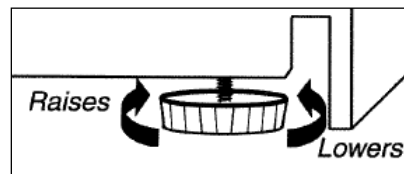
## LEVELING INSTRUCTIONS

### **WARNING**

**Extreme Weight Hazard! Use 2 or more people when moving the Wine Cooler.**

**It is important that your Wine Cooler is level. To level the Wine Cooler:**

- 1) Move the Wine Cooler to its final location.
- 2) Have someone gently lean on the front of the Wine Cooler to take some of the weight off of the leveling leg.
- 3) Turn the leveling leg clockwise to raise, and counter-clockwise to lower the Wine Cooler. Continue in this manner until the Wine Cooler is level.



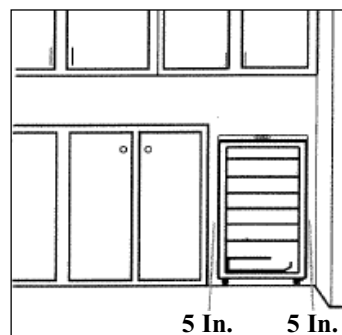
## LOCATION

### **DO...**

- Select a location with a strong, level floor.
- Allow for 5 inches of space between the back of the appliance and any adjacent wall.
- Avoid direct sunlight and heat. Direct sunlight may affect the acrylic coating; heat sources nearby will cause higher electricity consumption.

### **DO NOT...**

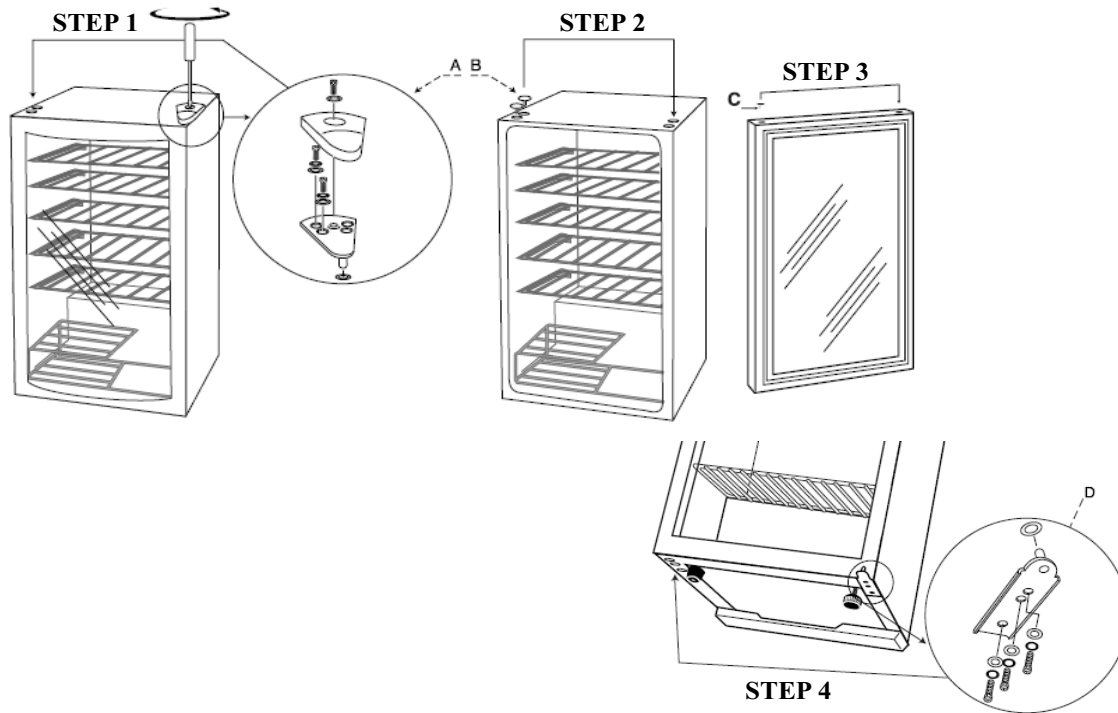
- Use this appliance outdoors: **This appliance is intended for household use only.** Do not attempt to operate or store this appliance outdoors.
- Build this appliance into an enclosure: **This appliance is designed for a Free-Standing application only** and is not intended to be "Built-In".





# Installation Instructions

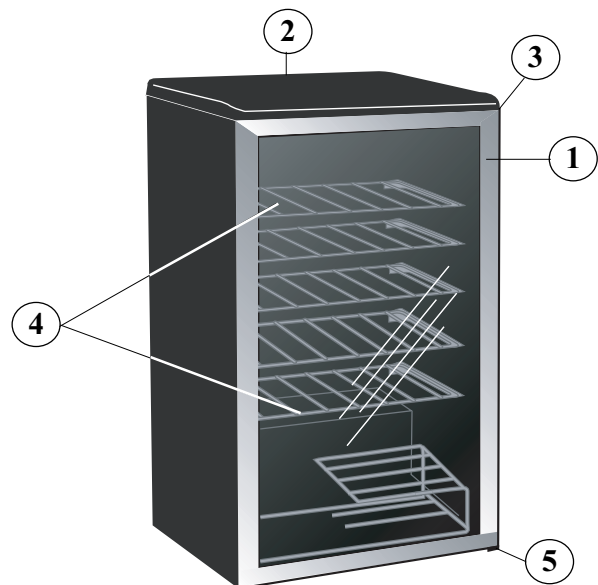
## DOOR REVERSAL INSTRUCTIONS



# Operating Instructions

## FEATURES

- 1) **Tempered Glass Door:** Tinted for UV protection while still allowing for easy interior viewing.
- 2) **Thermostat Dial:** (Externally mounted rear wall thermostat) For controlling the temperature inside the wine cooler. Turns the motor (compressor) on /off as soon as the temperature rises/falls above/below the set cooling level.
- 3) **Magnetic Door Gaskets:** Tight fitting seals retain all the cooling power and humidity levels.
- 4) **Plastic Coated Shelves:** Odor resistant, rustproof, and removable for easy cleaning. (total capacity is 36 bottles)
- 5) **Leveling Leg.**
- 6) **Interior Light** (*not shown*): Illuminates the compartment when the door is opened.





# Operating Instructions

## CONTROLS OF YOUR WINE COOLER

To start the wine cooler, turn the temperature control to the position corresponding to your desired cooling level. The wine cooler temperature will vary depending on the quantity of bottles stored, and on the frequency with which the door is opened.

### SETTING THE TEMPERATURE:

The temperature of the wine cooler compartment is controlled by adjusting/setting the thermostat control knob, located on the exterior rear wall of the unit. To start the wine cooler and achieve maximum cooling quickly;

- Turn the temperature control knob clockwise to the furthest (maximum) setting on the darker blue (wide) section of the graduated control dial.
- Allow the unit to run at this setting for 3-4 hours.
- When maximum cooling is achieved, turn back the temperature control knob setting to the 2 o'clock position on the graduated blue control dial. **See Fig.1.**
- To turn off the wine cooler, (no cooling) rotate the control knob to the "0" (off) position. **See Fig. 2.** Turn the control to the "OFF" (0) position to temporarily disconnect the cooling cycle. When the wine cooler is not to be used for long periods of time, disconnect from power and leave the door partially open.

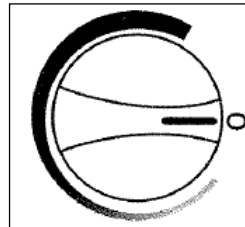


Fig. 1

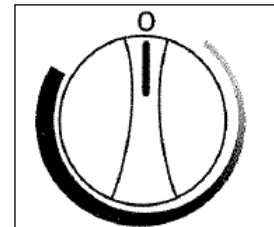


Fig. 2

**NOTE:** Wait 3 to 5 minutes before restarting if operation has been interrupted.

### Interior Light:

To manually operate the light, depress the interior light toggle switch situated on the left side of the interior light housing, located on the ceiling inside the unit; this will allow the interior light to remain on while the door is closed.

### DEFROSTING: Your wine cooler is designed with an "Auto-Cycle" defrost system. What is Auto Cycle defrost?

The refrigerated surfaces of the fresh food compartment defrost automatically during the "off" cycle of the cold control (thermostat). Defrost water from the fresh food compartment is disposed of automatically, by means of being channeled onto a drip tray located on the compressor. Heat transfer from the compressor causes the defrost water to evaporate.



# Operating Instructions

## WINE STORAGE

The Maximum Capacity\* of the DWC93BLSDB is 36 (750mL) wine bottles. \* *When stocked as per instructions below.*

In order to achieve the maximum storage capacity of thirty six (36) bottles, it will be necessary to:

- 1) Position 5 bottles across, as in Fig. A.
- 2) Finally, position three (3) bottles per staggered bottom shelf, as shown in Fig. B, for a total of six (6) bottles per tier on the bottom 2 tiered, staggered shelf. This will give you a total loading capacity of 36 bottles.

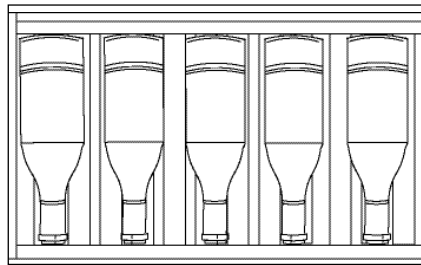


Fig. A

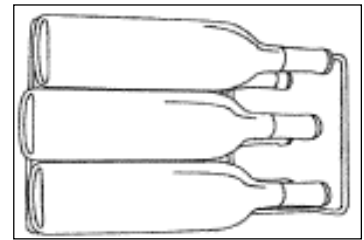


Fig. B

## SHELF INSTRUCTIONS

### ⚠ IMPORTANT

Do not cover any part of the rack with aluminum foil or any other material that will prevent adequate air circulation within the unit.

To remove a rack from its locked position, lift the rear of the rack upward and then slide the rack out from the unit, as shown in Fig. C.

To re-install, ensure the rack is resting securely on the support brackets, and push the rack inward until it locks into place.

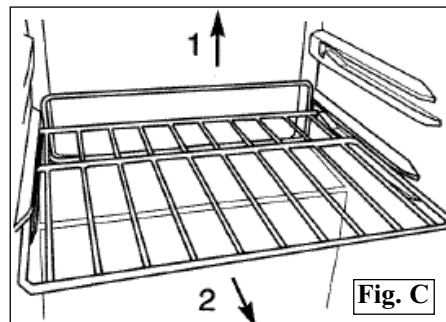


Fig. C





# Care and Maintenance

## HELPFUL HINTS

Allow the Wine Cooler door to remain open for a few minutes after manual cleaning to air out and dry the inside of the Wine Cooler.

**NOTE: Be certain the power is off before cleaning any part of this appliance.**

## HOW TO CLEAN THE INSIDE

**Never use any commercial or abrasive cleaners or sharp objects on any part of the Wine Cooler.**

**Walls, Floor, Inside Window, and Shelves:**

Some water deposits and dust can be removed with a dry paper towel, others may require a damp cloth.

## HOW TO CLEAN THE OUTSIDE

**Do not use cleaners containing ammonia or alcohol on the Wine Cooler. Ammonia or alcohol can damage the appearance of the appliance.**

**Outer Case:**

It's important to keep the area clean where the door seals against the unit. Clean this area with a sudsy cloth. Rinse and then dry.

**Door surface:**

Use only mild, non-abrasive detergents applied with a clean sponge or soft cloth. Rinse well.

**Control Panel and Door:**

Wipe with a damp cloth and dry thoroughly. Do not use cleaning sprays, large amounts of soap and water, abrasive or sharp objects on the panel they can damage it. Some paper towels may also scratch the control panel and door glass.



# Troubleshooting

Occasionally, a problem may arise that is minor in nature, and a service call may not be necessary. Use this troubleshooting guide for a possible solution. If the unit continues to operate improperly, call an authorized service depot or Danby's Toll Free Number **1-800-263-2629** for assistance.

PROBLEM	POSSIBLE CAUSE	SOLUTION
<b>1) No power.</b>	<ul style="list-style-type: none"> <li>• A fuse in your home may be blown or a circuit breaker tripped</li> <li>• Power surge</li> <li>• Plug is not fully inserted into wall outlet.</li> </ul>	<ul style="list-style-type: none"> <li>• Replace fuse or reset circuit breaker.</li> <li>• Unplug the wine cooler, wait a few seconds and plug back in.</li> <li>• Make sure the 3-prong plug is fully inserted into outlet.</li> </ul>
<b>2) Cabinet temperature too high.</b>	<ul style="list-style-type: none"> <li>• Temperature Setting.</li> <li>• Door not shut properly or opened excessively.</li> <li>• Exhaust vent is obstructed.</li> <li>• Recently added large quantity of warm bottles to cabinet.</li> </ul>	<ul style="list-style-type: none"> <li>• Verify the temperature control setting; adjust if necessary.</li> <li>• Ensure door is fully closed and the gasket is sealing against the cabinets. Open door only as needed and for short periods of time.</li> <li>• Verify that nothing is blocking front-mounted exhaust vent.</li> <li>• Limit quantity of warm bottles introduced at the same time. Stagger the load introduction if possible.</li> </ul>
<b>3) Condensation on the cabinet and/or doors.</b>	<ul style="list-style-type: none"> <li>• High humidity conditions in the home.</li> </ul>	<ul style="list-style-type: none"> <li>• Ensure door is fully closed and gasket is sealing against the cabinet. Open the door only as needed and for short periods of time.</li> </ul>



## LIMITED IN-HOME APPLIANCE WARRANTY

This quality product is warranted to be free from manufacturer's defects in material and workmanship, provided that the unit is used under the normal operating conditions intended by the manufacturer.

This warranty is available only to the person to whom the unit was originally sold by Danby Products Limited (Canada) or Danby Products Inc. (U.S.A.) (hereafter "Danby") or by an authorized distributor of Danby, and is non-transferable.

### TERMS OF WARRANTY

Plastic parts, are warranted for thirty (30) days only from purchase date, with no extensions provided.

*First Year* During the first twelve (12) months, any functional parts of this product found to be defective, will be repaired or replaced, at warrantor's option, at no charge to the ORIGINAL purchaser.

*To obtain Service* Danby reserves the right to limit the boundaries of "In Home Service" to the proximity of an Authorized Service Depot. Any appliance requiring service outside the limited boundaries of "In Home Service" it will be the consumer's responsibility to transport the appliance (at their own expense) to the original retailer (point of purchase) or a service depot for repair. See "Boundaries of In Home Service" below. Contact your dealer from whom your unit was purchased, or contact your nearest authorized Danby service depot, where service must be performed by a qualified service technician.

If service is performed on the units by anyone other than an authorized service depot, or the unit is used for commercial application, all obligations of Danby under this warranty shall be void.

*Boundaries of In Home Service* If the appliance is installed in a location that is 100 kilometers (62 miles) or more from the nearest service center your unit must be delivered to the nearest authorized Danby Service Depot, as service must only be performed by a technician qualified and certified for warranty service by Danby. Transportation charges to and from the service location are not protected by this warranty and are the responsibility of the purchaser.

Nothing within this warranty shall imply that Danby will be responsible or liable for any spoilage or damage to food or other contents of this appliance, whether due to any defect of the appliance, or its use, whether proper or improper.

### EXCLUSIONS

Save as herein provided, Danby, there are no other warranties, conditions, representations or guarantees, express or implied, made or intended by Danby or its authorized distributors and all other warranties, conditions, representations or guarantees, including any warranties, conditions, representations or guarantees under any Sale of Goods Act or like legislation or statute is hereby expressly excluded. Save as herein provided, Danby shall not be responsible for any damages to persons or property, including the unit itself, howsoever caused or any consequential damages arising from the malfunction of the unit and by the purchase of the unit, the purchaser does hereby agree to indemnify and hold harmless Danby from any claim for damages to persons or property caused by the unit.

### GENERAL PROVISIONS

No warranty or insurance herein contained or set out shall apply when damage or repair is caused by any of the following:

- 1) Power failure.
- 2) Damage in transit or when moving the appliance.
- 3) Improper power supply such as low voltage, defective house wiring or inadequate fuses.
- 4) Accident, alteration, abuse or misuse of the appliance such as inadequate air circulation in the room or abnormal operating conditions (extremely high or low room temperature).
- 5) Use for commercial or industrial purposes (ie. If the appliance is not installed in a domestic residence).
- 6) Fire, water damage, theft, war, riot, hostility, acts of God such as hurricanes, floods etc.
- 7) Service calls resulting in customer education.
- 8) Improper Installation (ie. Building-in of a free standing appliance or using an appliance outdoors that is not approved for outdoor application).

Proof of purchase date will be required for warranty claims; so, please retain bills of sale. In the event warranty service is required, present this document to our AUTHORIZED SERVICE DEPOT.

**Warranty Service**  
In-home

Danby Products Limited  
PO Box 1778, Guelph, Ontario, Canada N1H 6Z9  
Telephone: (519) 837-0920 FAX: (519) 837-0449

**1-800-263-2629**

Danby Products Inc.  
PO Box 669, Findlay, Ohio, U.S.A. 45840  
Telephone: (419) 425-8627 FAX: (419) 425-8629

# Beinvenue

Bienvenue dans la famille Danby .Nous sommes fiers de nos produits de qualité et croyons au bien fondé de fournir une assistance fiable à nos clients. Vous le découvrirez parce guide facile d'utilisation et vous pourrez l'entendre en provenance des voix amicales de notre service d'assistance à la clientèle.

Mais, ce qui est encore mieux, vous pourrez bénéficier de ces valeurs à chaque utilisation de votre appareil. Ceci est important parce que votre nouvelle appareil fera partie de votre famille pour longtemps.

**Numéro de Modèle:** \_\_\_\_\_

**Numéro de Serie:** \_\_\_\_\_

**Date d'achat:** \_\_\_\_\_

## Besoin d'assistance?

Voici quelques contributions que vous pouvez effectuer avant de faire un appel de service, pour nous aider à mieux vous servir:

**Lisez ce guide:**

Il comprend des instructions pour vous assister à l'utilisation et l'entretien adéquats de votre Réfrigérateur de Vin.

**Si votre appareil neuf esta varié:**

Communiquez immédiatement avec le revendeur (ou le manufacturier).

**Épargnez temps et argents:**

Avant de faire un appel de service, révissez le chapitre intitulé "Dépannage". Ce chapitre vous aidera à solutionner des problèmes communs qui pourraient survenir. Si une réparation est requise, vous pouvez avoir l'esprit tranquille parce que de l'aide ne sera l'affaire que d'un appel téléphonique.



Tel: 1-800-26-**Danby**  
(1-800-263-2629)



# Consignes De Sécurité Important

PRENDRE CONNAISSANCE DE TOUTES LES INFORMATIONS  
RELATIVES À LA SÉCURITÉ AVANT D'UTILISER LE PRODUIT

LISEZ TOUTES LES INFORMATIONS DE SÉCURITÉ AVANT DE FAIRE FONCTIONNER L'APPAREIL

## CONDITIONS ÉLECTRIQUES

Branchez la fiche dans une prise de courant correctement installée et mise à la terre.

Cet appareil doit être mis à la terre. En cas de court-circuit, la mise à la terre réduit les risques de décharge électrique en fournissant un échappatoire au courant électrique.

## PRÉCAUTION IMPORTANTE

Un refroidisseur à vin vide est une attraction dangereuse aux enfants. Enlever les joints étanches, les loquets, les couvercles ou les portes des appareils qui ne sont pas utilisés, ou faites de sorte que l'appareil ne présente aucun danger.

## AVERTISSEMENT

Consultez un electricien ou un technicien qualifié si vous ne comprenez pas bien les instructions de mise à la terre ou si vous avez un doute quelconque sur la bonne mise à la terre de l'appareil.

### N'UTILISER JAMAIS DE FIL DE RALLONGE

S'il est possible, branchez le réfrigérateur à son propre circuit. Ainsi, les autres appareils ou la surcharge des lampes du domicile ne peuvent pas surcharger et interrompre le courant électrique. Une connexion desserrée peut se doubler à un autre appareil dans la même prise murale.

**DANGER:** Risque des enfants deviennent coincés dans l'appareil. Avant de jeter votre ancien refroidisseur à vin ou autres appareils:

- Enlevez les portes
- Laissez les clayettes à leurs places afin que des enfants ne puissent pas monter facilement dans l'appareil.

**N'ATTENDEZ PAS! FAITES-LE IMMÉDIATEMENT!**

**SAUVEGARDE CES INSTRUCTIONS!**

## PRÉCAUTIONS

Cet appareil doit être mis à la terre. Branchez-le seulement dans une prise correctement mise à la terre. Référez-vous au chapitre intitulé "Instructions de mise à la terre" ci-dessous.

- Ne faites pas fonctionner cet appareil s'il a un cordon ou fiche électrique endommagé, s'il ne fonctionne pas correctement, ou si l'appareil a été endommagé ou échappé.
- N'épissez pas le cordon électrique
- Gardez le cordon électrique éloigné des sources de chaleur.
- N'immersez pas le cordon ou sa fiche dans aucun liquide.
- N'utilisez pas cet appareil près de bassins d'eau, par exemple dans un sous-sol détrempe, près d'une piscine ou d'un évier.
- N'utilisez pas de produits chimiques ou vapeurs corrosives dans/près de cet appareil.
- N'utilisez cet appareil que pour les fins auxquelles il est conçu comme indiqué dans ce guide.
- Ne placez pas les articles périssables de nourriture dans votre réfrigérateur à vin (pour exemple, les viandes et les produits laitiers).
- Entrez les breuvages dans des bouteilles scellées soigneusement.
- Référez-vous aux instructions de nettoyage du fini de la porte se trouvant au(x) chapitre Soins et Entretien.
- Ne recouvrez pas ou n'obstruez aucune ouverture de l'appareil.
- Cet appareil est conçu pour un usage domestique à l'intérieur seulement. N'entrez pas ni n'utilisez pas cet appareil à l'extérieur.
- Cet appareil ne devrait être réparé que par du personnel qualifié. Pour tout examen, réparation ou réglage, contactez votre centre de service le plus rapproché.



# Instructions d'installation

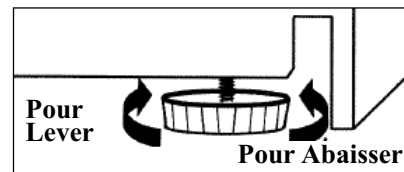
## INSTRUCTIONS DE MISE À NIVEAU

### **AVERTISSEMENT**

Danger de poids excessif! Il faut deux personnes ou plus pour déplacer le Refroidisseur de Vin.

Il est important que votre Refroidisseur de Vin soit à niveau. Pour mettre le Refroidisseur de Vin à niveau:

- 1) Installez le refroidisseur de vin à sa position finale.
- 2) Demandez à une autre personne d'appliquer une légère pression sur la partie avant supérieure du refroidisseur de vin pour l'incliner et alléger la pesanteur sur les pattes de réglage de mise à niveau.
- 3) Pivotez les pattes de mise à niveau dans le sens des aiguilles d'une montre pour lever le refroidisseur à vin ou dans le sens contraire pour l'abaisser.



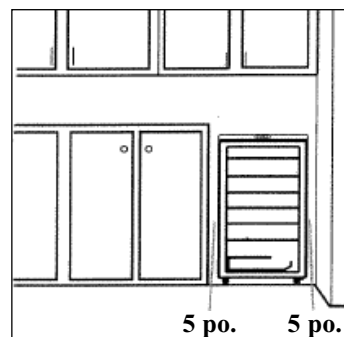
## LOCATION

### À FAIRE...

- Choisir un endroit avec un plancher solide et au niveau.
- Laisser un espace de 12.7 cm (5 po) entre l'arrière de l'appareil et tout mur adjacent.
- Éviter l'exposition au soleil direct et à la chaleur. Le soleil direct peut affecter la couche d'acrylique. Les sources de chaleur à proximité peuvent causer une plus grande consommation d'électricité.

### À NE PAS FAIRE...

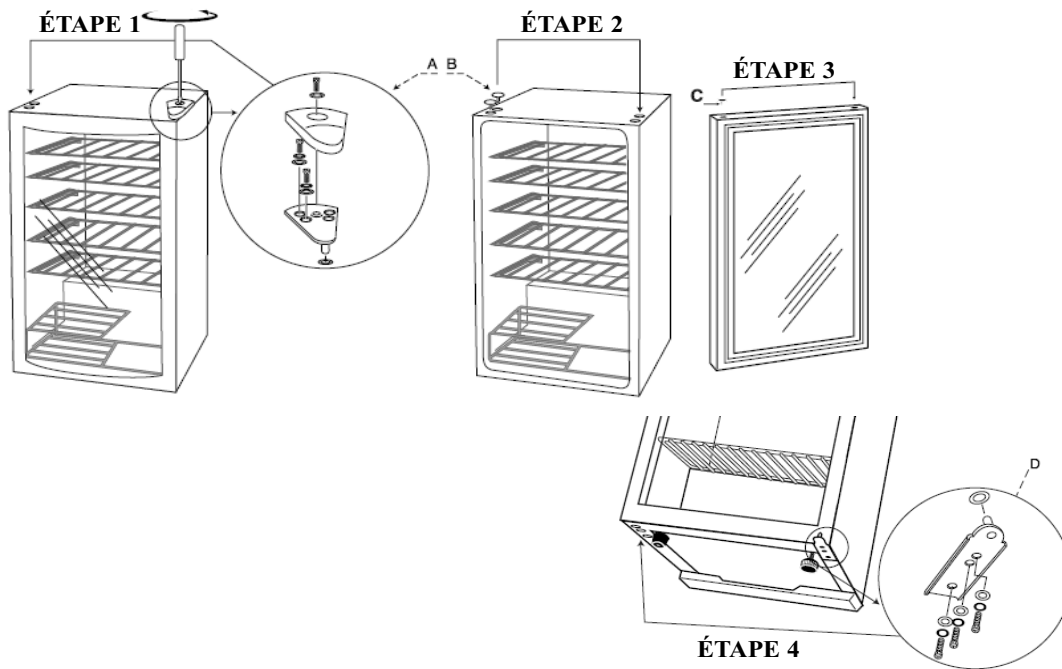
- Utiliser cet appareil à l'extérieur: **Cet appareil a été conçu pour usage domestique seulement.** Ne pas faire fonctionner ou entreposer cet appareil à l'extérieur.
- Incorporer cet appareil dans une armoire: **Cet appareil est conçu pour une utilisation autonome seulement** et n'est pas prévu pour être encastré.





# Instructions d'installation

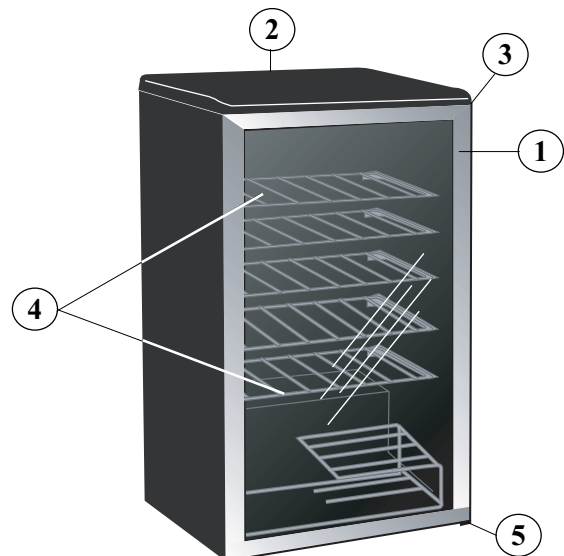
## INSTRUCTIONS DE L'INVERSION DE PORTE



# Consignes d'utilisation

## CARACTÉRISTIQUES

- 1) Portes En Verre Trempé:** Teinté pour protéger contre les rayons UV tout en permettant de voir facilement le contenu du cabinet.
- 2) Contôles Électroniques de la Température:** (contrôles installés à l'avant, à l'extérieur du cabinet) Ces commandes contrôlent la température à l'intérieur du cabinet à vins. Ils mettent le moteur en marche ou l'arrêtent dès que la température dépasse en plus ou en moins le niveau de refroidissement demandé.
- 3) Joint Étanche Magnétique:** Le joint étanche permet de conserver le niveau de température et d'humidité à l'intérieur du cabinet.
- 4) Étagères Plastifiées:** Résistent aux odeurs et à la rouille. Amovibles pour faciliter l'entretien. (La capacité \*maximum est 36 bouteilles du vin 750ml)
- 5) Pied Ajustable.**
- 6) Lumière Intérieures (non illustré):** S'allume lorsqu'on ouvre la porte du cabinet.





# Consignes d'utilisation

## COMMANDES DE VOTRE REFROIDISSEUR DE VIN

Mettre l'appareil en marche en tournant la commande du thermostat à la position désirée de refroidissement. La température du refroidisseur de vin varie selon la quantité de bouteilles rangées et du nombre d'ouverture de la porte.

### RÉGLAGE DE LA COMMANDE DE TEMPÉRATURE:

La temp. intérieure du cabinet à vins est contrôlée à l'aide d'un bouton de contrôle du thermostat. Ce bouton se trouve à l'extérieur du cabinet, sur la paroi arrière. Pour mettre le cabinet à vins en marche et pour en tirer un refroidissement maximum rapidement, procédez comme suit :

- Tournez le bouton de commande de la temp. en sens horaire, en direction du réglage maximum (partie bleu foncé large) de la commande graduée.
- Laissez le cabinet fonctionner à ce niveau pendant 3 ou 4 heures.
- Lorsque le refroidissement maximum est atteint, placez l'aiguille du bouton de commande de la temp. à la position de 2 heures sur le cadran gradué (voir la Fig. 1).
- Pour arrêter le cabinet à vins (arrêt du refroidissement), tournez le bouton de commande de la temp. à la position «0» (OFF) (voir la Fig. 2).
- Tournez la commande en position «OFF» (0) pour couper temporairement le cycle de refroidissement. Lorsque le cabinet à vins n'est pas utilisé pendant une longue période, débranchez la prise de courant et laissez la porte partiellement ouverte. Régler la commande à la position "OFF" pour arrêter temporairement le cycle de refroidissement. Si le refroidisseur de vin ne doit pas être en marche pendant quelques temps, débrancher la prise et laisser la porte entreouverte.

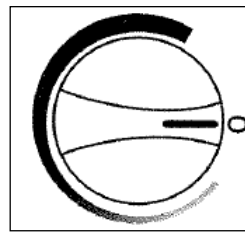


Fig. 1

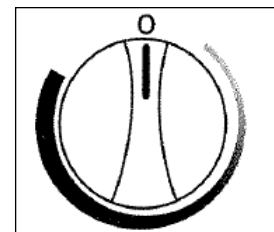


Fig. 2

**À NOTER:** Retarder la mise en marche de 3 à 5 minutes si le fonctionnement a été interrompu.

### Lumière Intérieur:

Pour opérer la lumière manuellement; appuyer sur l'interrupteur de lumière situé du côté gauche de boîtier de la lumière qui se trouve au plafond à l'intérieur du cabinet. Ceci permettra à la lumière de rester allumée lorsque la porte est fermée.

### DÉGIVRAGE: Le refroidisseur de vin est pourvu d'un système de dégivrage auto-cycle. Qu'est ce que le dégivrage auto-cycle?

Les surfaces réfrigérées du compartiment dégivrent automatiquement pendant le cycle "OFF" du thermostat. L'eau de dégivrage se débarrasse automatiquement en entrant un bac. Le transfert de chaleur du compresseur fait évaporer l'eau.





# Consignes d'utilisation

## ENTREPOSAGE DES VINS

La capacité \*maximum du DWC93BLSDB est 36 bouteilles du vin (750ml). \* *Quand il est stocké en utilisant les instructions fournies.*

Afin de réaliser la capacité de stockage maximum de trente-six (36) bouteilles, il sera nécessaire de:

- 1) Placez 5 bouteilles à travers, comme dans **fig. A**
- 2) Puis, placez trois (3) bouteilles, suivant les indications de **Fig. B**, sur le étagère à deux niveaux inférieur, pour un total de six (6) bouteilles par rangée. Ceci te donnera un total capacité de chargement de 36 bouteilles.

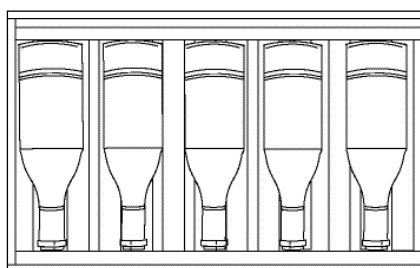


Fig. A

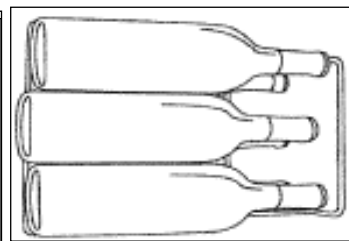


Fig. B

## INSTRUCTIONS POUR TABLETTES

### **IMPORTANT**

Ne couvrez toute partie des étagères de papier d'aluminium ou d'aucun autre matériel qui empêcheront à circulation d'air proportionnée dans le coffre.

**Pour enlever une tablette de la position verrouillée**, incline l'étagère comme montré dans la figure C et tire à l'extérieur.

**Pour réinstaller**, assurez l'étagère se repose sur les supports et poussée la tablette vers l'intérieur jusqu'à ce qu'elle soit verrouillée en place.

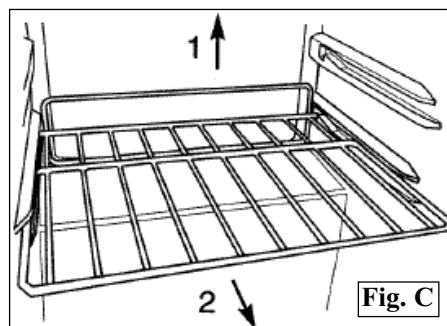


Fig. C



## Soins Et Entretien

### CONSEILS UTILS

Après nettoyage, laissez la porte de la machine ouverte durant quelques minutes pour aérer et assécher l'intérieur de l'armoire. **NOTE** : Avant de nettoyer cet appareil, assurez-vous que l'alimentation est coupée.

### COMMENT NETTOYER L'INTÉRIEUR

**N'utilisez jamais de nettoyant industriels sur aucune partie de votre refroidisseur de vin.**

**Parois, Plancher, Intérieur de la Visière et Tablettes:**

Certaines éclaboussures d'eau et poussières peuvent être essuyées avec des essuie-tout. D'autres taches peuvent nécessiter un linge humide.

### COMMENT NETTOYER L'EXTÉRIEURE

**N'utilisez pas de produits nettoyants comprenant de l'ammoniac ou de l'alcool sur l'appareil. L'ammoniac ou l'alcool peuvent altérer le fini de l'appareil.**

Il est important de garder la région de scellement de la porte sur l'armoire propre. Nettoyez avec un tissu savonneux, rincez le région et puis séchez

**Surface du Porte:**

N'utilisez que des détergents doux, non abrasifs, appliqués avec une éponge propre ou un chiffon doux. Rincez abondamment.

**Panneau de commande et Porte:**

Essuyez avec un chiffon humide. Asséchez bien avec un chiffon sec. N'utilisez pas de nettoyants en aérosol, de grandes quantités d'eau et de savon, d'abrasifs ou d'objets acérés sur le panneau, ceci pourrait l'endommager. Certains essuie-tout peuvent aussi égratigner le panneau de commande et verre de la porte.



## Dépannage

En temps de temps, le problème est mineur et n'exige pas un appel de service. Utilisez ce guide pour trouver des solutions. Si l'appareil ne fonctionne toujours pas, appelez un dépôt de service autorisé ou le numéro de téléphone sans frais Danby **1-800-263-2629** pour de plus amples renseignements.

<b>PROBLÈME</b>	<b>CAUSE PROBABLE</b>	<b>SOLUTION</b>
<b>1) L'appareil n'es pas alimenté.</b>	<ul style="list-style-type: none"><li>• Un fusible de votre panneau de distribution peut être grillé ou le disjoncteur déclenché.</li><li>• Surtension.</li><li>• La fiche n'est pas complètement insérée dans la prise murale.</li></ul>	<ul style="list-style-type: none"><li>• Remplacez le fusible ou réarmez le disjoncteur.</li><li>• Débranchez la refroidisseur de Vin et attendez quelques secondes, et puis rebranchez la.</li><li>• Assurez-vous que la fiche à 3 branches de l'appareil est complètement insérée dans la prise.</li></ul>
<b>2) La température dans la cabinet est trop haute.</b>	<ul style="list-style-type: none"><li>• Réglage du température.</li><li>• Le porte n'est pas fermées correctement ou ouverte trop souvent.</li><li>• L'échappement est obstrué.</li><li>• Stocké une grande quantité de bouteilles chaudes dans le cabinet.</li></ul>	<ul style="list-style-type: none"><li>• Vérifiez que la commande est réglée le cabinet est trop haute. à la bonne arrangement.</li><li>• Assurez-vous que la porte est fermées et que le joint étanche est contre le coffret. Ouvrez la porte seulement quand nécessaire.</li><li>• Vérifiez qu'il n'y a rien qui bloque l'échappement sur le devant.</li><li>• Limitez la quantité de bouteilles chaudes qui sont stockées dans le cabinet en même temps. Essayez d'introduire progressivement des charge chaudes si possible.</li></ul>
<b>3) L'eau de condensation sur le coffret et/ou les portes.</b>	<ul style="list-style-type: none"><li>• Niveau de humidité élevé dans la maison.</li><li>• La porte n'est pas fermées correctement ou son ouverte trop souvent.</li></ul>	<ul style="list-style-type: none"><li>• La formation de l'eau de condensation s'arrêtera quand le niveau d'humidité retours à normale.</li><li>• Assurez-vous que la porte est fermée et que le joint étanche est contre le coffret. Ouvrez la porte seulement quand nécessaire.</li></ul>



## GARANTIE LIMITÉE SUR APPAREIL ÉLECTROMÉNAGER À DOMICILE

Cet appareil de qualité est garanti exempt de tout vice de matière première et de fabrication, s'il est utilisé dans les conditions normales recommandées par le fabricant.

Cette garantie n'est offerte qu'à l'acheteur initial de l'appareil vendu par Danby Products Limited (Canada) ou Danby Products Inc. (E.- U. d'A) (ci-après "Danby") ou par l'un des ses distributeurs agréés et elle ne peut être transférée.

### CONDITIONS

Les pièces en plastique sont garanties pour trente (30) jours seulement à partir de la date de l'achat, sans aucune prolongation prévue.

*Première 12 mois* Pendant les douze (12) mois, toutes pièces fonctionnelles de ce produit s'avèrent défectueuses, seront réparées ou remplacées, selon le choix du garant, sans frais à l'acheteur INITIAL.

*Pour bénéficiaire du Service* Le client sera responsable pour le transport et tous les frais d'expédition de tout appareil exigeant le service au dépôt de service autorisé le plus proche. S'adresser au détaillant qui a vendu l'appareil, ou à la station technique agréée de service la plus proche, où les réparations doivent être effectuées par un technicien qualifié. Si les réparations sont effectuées par quiconque autre que la station de service agréée ou à des fins commerciales, toutes les obligations de Danby en vertu de cette garantie seront annulées.

*Limites de l'entretien à domicile* Si l'appareil est installé à plus de 100 kilomètres (62 milles) du centre de service le plus proche, il doit être livré à l'atelier de réparation autorisé par Danby le plus proche, car l'entretien doit uniquement être réalisé par un technicien qualifié et certifié pour effectuer un entretien couvert par la garantie de Danby. Les frais de transport entre votre domicile et le lieu de l'entretien ne sont pas couverts par la présente garantie et doivent être acquittés par l'acheteur.

Cette garantie indique en aucun temps la responsabilité de Danby de l'avarie ou dommage de la vin ou autre contenu, soit par les vices de l'appareil, ou soit par l'utilisation convenable ou inexacte.

### EXCLUSIONS

En vertu de la présente, il n'existe aucune autre garantie, condition ou représentation, qu'elle soit exprimée ou tacite, de façon manifeste ou intentionnelle, par Danby ou ses distributeurs agréés. De même, sont exclues toutes les autres garanties, conditions ou représentations, y compris les garanties, conditions ou représentations en vertu de toute loi régissant la vente de produits ou de toute autre législation ou règlement semblables.

En vertu de la présente, Danby ne peut être tenue responsable en cas de blessures corporelles ou des dégâts matériels, y compris à l'appareil, quelle qu'en soit la cause. Danby ne peut pas être tenue responsable des dommages indirects dus au fonctionnement défectueux de l'appareil. En achetant l'appareil, l'acheteur accepte de mettre à couvert et de décharger Danby de toute responsabilité en cas de réclamation pour toute blessure corporelle ou tout dégât matériel causé par cet appareil.

### CONDITIONS GÉNÉRALES

La garantie ou assurance ci-dessus ne s'applique pas si les dégâts ou réparations sont dus aux cas suivants:

- 1) Panne de courant.
- 2) Dommages subis pendant le transport ou le déplacement de l'appareil.
- 3) Alimentation électrique incorrecte (tension faible, câblage défectueux, fusibles incorrects).
- 4) Accident, modification, emploi abusif ou incorrect de l'appareil tel qu'une circulation d'air inadéquate dans la pièce ou des conditions de fonctionnement anormales (température extrêmement élevée ou basse).
- 5) Utilisation dans un but commercial ou industriel (à savoir, si l'appareil n'est pas installé dans un domicile résidentiel).
- 6) Incendie, dommages causés par l'eau, vol, guerre, émeute, hostilités, cas de force majeure (ouragan, inondation, etc.).
- 7) Visites d'un technicien pour expliquer le fonctionnement de l'appareil au propriétaire.
- 8) Installation inappropriée (par exemple, encastrement d'un appareil autoportant, ou utilisation extérieure d'un appareil non conçu à cet effet).

Une preuve d'achat doit être présentée pour toute demande de réparation sous garantie. Prière de garder le reçu. Pour faire honorer la garantie, présenter ce document à la station technique agréée ou s'adresser à:

**Service sous-garantie**  
Service au domicile

Danby Products Limited  
PO Box 1778, Guelph, Ontario, Canada N1H 6Z9  
Telephone: (519) 837-0920 FAX: (519) 837-0449

**1-800-263-2629**

Danby Products Inc.  
PO Box 669, Findlay, Ohio, U.S.A. 45840  
Telephone: (419) 425-8627 FAX: (419) 425-8629

# Bienvenido

Bienvenido a la familia Danby. Estamos orgullosos de nuestros productos de alta calidad y creemos en el servicio confiable. Usted lo podrá apreciar en este manual fácil de usar, y lo escuchará en las voces amistosas de nuestro departamento de servicio al consumidor.

Sobre todo, usted apreciará estas ventajas cada vez que use su aparato. Eso es importante, ya que su nuevo artefacto formará parte de su familia por mucho tiempo.

Número de modelo:	_____
Número de serie:	_____
Fecha de la compra:	_____

## Necesita Ayuda

Antes de solicitar servicio, hay algunas cosas que puede hacer para ayudarnos a servirle mejor...

**Lea este manual:**

Contiene instrucciones que lo ayudarán a mantener correctamente su aparato.

**Si usted recibe un artefacto dañado:**

Llame inmediatamente al distribuidor (o fabricante) que se lo vendió.

**Ahorre tiempo y dinero:**

Lea la sección de Diagnóstico de problemas antes de llamar. Esta sección le ayudará a resolver problemas comunes que pudieran ocurrir. Si necesita asistencia, no se preocupe y llámenos.



Tel: 1-800-26-**Danby**  
(1-800-263-2629)



# Información de seguridad importante

LEA Y SIGA TODAS LAS INSTRUCCIONES DE SEGURIDAD

Este aparato debe estar puesto a tierra. En caso de cortocircuito eléctrico, la puesta a tierra reduce el riesgo de descarga eléctrica, al proporcionar un cable de escape para la corriente eléctrica.

## REQUISITOS ELÉCTRICOS

El cordón de este aparato tiene un conductor de tierra con un enchufe de tierra. El enchufe debe conectarse a un tomacorriente debidamente instalado y puesto a tierra.

### **ADVERTENCIA IMPORTANTE**

Un enfriador de vinos vacío atrae peligrosamente a los niños. Quite el empaque o la tapa de los aparatos que no use, o bien, realice alguna acción que garantice que no representen un peligro.

### **ADVERTENCIA**

El uso indebido del enchufe de tierra puede provocar descargas eléctricas. Consulte a un electricista o técnico en reparaciones calificado si no comprende totalmente las instrucciones de puesta a tierra, o si duda que el aparato esté debidamente puesto a tierra.

### **NO USE UN CORDÓN DE EXTENSIÓN**

Use un tomacorriente de pared exclusivo. No conecte su enfriador de vinos a un cordón de extensión ni junto con ningún otro aparato en el mismo tomacorriente de pared.

### **PELIGRO: Existe el riesgo de que los niños queden atrapados.**

Antes de desechar su antiguo enfriador de vinos, refrigerador, congelador, etc.:

- Quítele las puertas.
- Deje las repisas en su lugar para que los niños no puedan entrar fácilmente en él.

## **¡NO ESPERE, HÁGALO AHORA! GUARDE ESTAS INSTRUCCIONES**

## PRECAUCIONES DE SEGURIDAD

- No use el aparato si el cordón de suministro eléctrico o el enchufe están dañados, si no está funcionando adecuadamente o si el aparato se ha dañado o se ha caído. No empalme el cordón de suministro eléctrico que viene incluido con este aparato
- Mantenga el cordón de suministro eléctrico alejado de las superficies calientes.
- No sumerja el cordón, el enchufe ni el aparato en agua.
- No use este producto cerca del agua, por ejemplo, en un sótano húmedo, cerca de una piscina o cerca de un lavamanos.
- No use vapores ni químicos corrosivos en este aparato.
- Use este aparato únicamente para el propósito con el que fue diseñado, como se describe en este manual.
- No guarde alimentos perecederos como (entre otros) carnes y productos lácteos en su enfriador de vinos.
- Guarde el vino en recipientes sellados únicamente.
- Vea las instrucciones para limpiar la superficie de la puerta en la sección(es) de "Cuidado y Limpieza" de este manual.
- No cubra ni bloquee ninguna abertura del aparato.
- Este aparato está diseñado para usarse sólo en el hogar. No intente usar ni guardar este aparato en el exterior.
- Sólo el personal de servicio calificado puede dar servicio a este aparato. Comuníquese al centro de servicio autorizado más cercano para que lo examinen, reparen o ajusten.



# Instrucciones de instalación

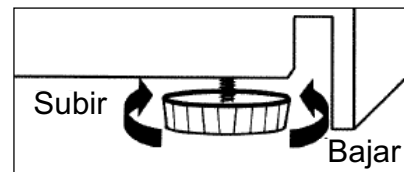
## INSTRUCCIONES PARA NIVELARLO

### ⚠️ ADVERTENCIA

¡Peligro de peso excesivo! Emplee a 2 o más personas para mover el enfriador de vinos.

Es importante que su enfriador de vinos esté nivelado. Para nivelar el enfriador de vinos:

- 1) Mueva el enfriador de vinos a su ubicación definitiva.
- 2) Pida a alguien que se apoye suavemente en la parte delantera del enfriador de vinos para quitar un poco del peso de la pata de nivelación.
- 3) Gire la pata de nivelación en el sentido de las manecillas del reloj para levantar el enfriador de vinos y en sentido contrario de las manecillas del reloj para bajarlo. Continúe de este modo hasta que el enfriador de vinos esté nivelado.



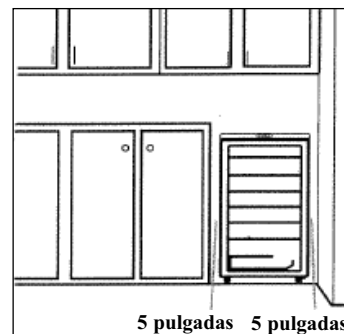
## UBICACIÓN

### QUÉ HACER

- Elegir un lugar con piso firme y nivelado.
- Dejar 5 pulgadas de espacio entre la parte posterior del aparato y la pared adyacente.
- Evitar la luz del sol y el calor directos. La luz del sol directa puede afectar la cubierta de acrílico; las fuentes de calor que estén cerca causarán un mayor consumo de energía.

### QUÉ NO HACER

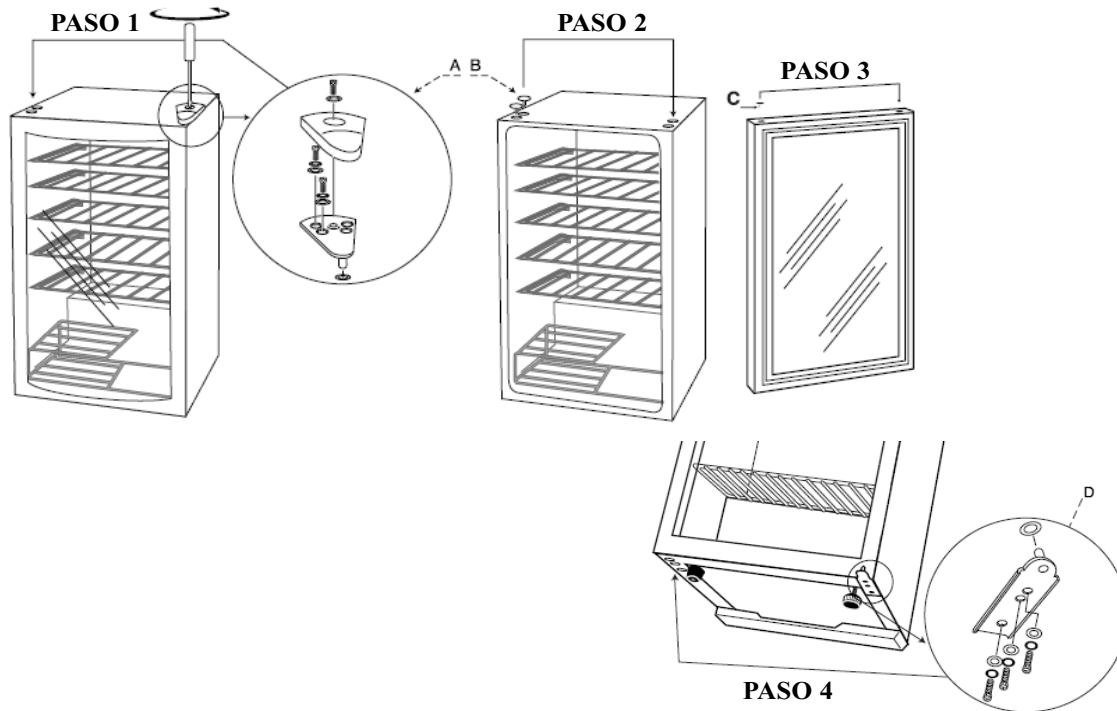
- Usar este aparato en exteriores: **Este aparato está diseñado para usarse sólo en el hogar.** No intentar usar ni guardar este aparato en el exterior.
- Instalar este aparato en un área cerrada: **Ha sido diseñado sólo como aparato autónomo** y no para integrarlo a otros elementos.





## Instrucciones de instalación

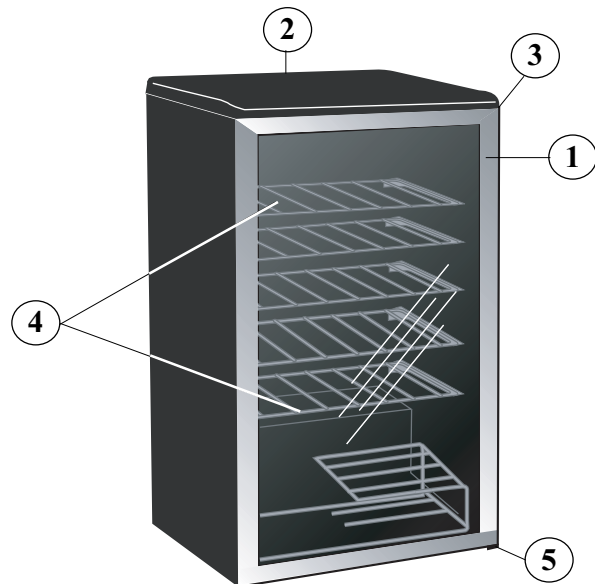
### INSTRUCCIONES PARA CAMBIAR EL SENTIDO DE APERTURA DE LA PUERTA



## Instrucciones de funcionamiento

### CARACTERÍSTICAS

- 1) **Puerta de vidrio templado:** Teñida para protegerla de los rayos UV a la vez que permite ver el interior.
- 2) **Control del termostato: (Termostato en montado en la parte exterior de la pared posterior) Para controlar la temperatura en e interior del enfriador de vinos.** Enciende o apaga el motor (compresor) en cuanto la temperatura rebasa o llega a estar por debajo del nivel de enfriamiento fijado.
- 3) **Empaquetaduras de la puerta magnética:** Los sellos que cierran perfectamente retienen todo el poder de enfriamiento y los niveles de humedad.
- 4) **Repisas con recubrimiento de plástico: Resistentes a los olores, inoxidables y desmontables para limpiarlas fácilmente.** (la capacidad total es de 36 botellas)
- 5) **Pata de nivelación.**
- 6) **Luz interior (no se ilustra):** Ilumina el compartimiento cuando se abre la puerta.







# Instrucciones de funcionamiento

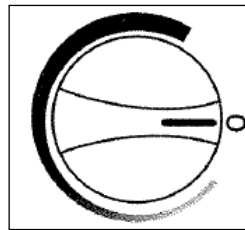
## CONTROLES DE SU ENFRIADOR DE VINOS

Para activar el enfriador de vinos, ponga el control de temperatura en la posición que corresponda al nivel de enfriamiento que desea. La temperatura del enfriador de vinos variará según la cantidad de botellas guardadas y la frecuencia con que se abra la puerta.

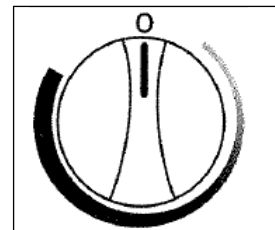
### CÓMO GRADUAR LA TEMPERATURA:

La temperatura del compartimiento del enfriador de vinos se controla ajustando o graduando la perilla de control del termostato, que se encuentra en el lado exterior de la pared posterior de la unidad. Para activar el enfriador de vinos y lograr el enfriamiento máximo rápidamente:

- Gire la perilla de control de temperatura en el sentido de las manecillas del reloj hasta la posición más alejada (máxima) de la sección de color azul oscuro (amplia) del control con graduación.
- Deje que la unidad funcione con esta graduación durante 3-4 horas.
- Cuando se logre el enfriamiento máximo, regrese la perilla de control de temperatura a la posición como si fuera una manecilla de reloj que marca las 2.00, en el control graduado de color azul. **Vea la Fig. 1.**
- Para apagar el enfriador de vinos, (no enfriar) gire la perilla de control a la posición "0" (apagado). **Vea la Fig. 2.** Gire el control a la posición "APAGADO" (0) para desconectar temporalmente el ciclo de enfriamiento. Cuando no se vaya a usar el enfriador de vinos durante algún tiempo, desconéctelo de la corriente y deje la puerta abierta parcialmente.



**Fig. 1**



**Fig. 2**

**NOTA:** Espere de 3 a 5 minutos antes de reiniciarlo si se ha interrumpido su funcionamiento.

### Luz interior:

Para operar manualmente la luz, oprima el interruptor de palanca de la luz interior que se encuentra en el lado izquierdo del compartimiento de la luz interior ubicado en el techo de la unidad; esto permitirá que la luz interior siga encendida mientras la puerta está cerrada.

**DESCONGELAMIENTO:** Su enfriador de vinos está diseñado con un sistema de descongelamiento con "Ciclo Automático". ¿Qué es el descongelamiento con Ciclo Automático?

Las superficies refrigeradas del compartimiento de alimentos frescos se descongelan automáticamente durante el ciclo "apagado" del control de frío (termostato). El agua que se produce de la descongelación del compartimiento de alimentos frescos se elimina automáticamente, vertiéndose en una bandeja de recolección ubicada sobre el compresor. La transferencia de calor del compresor hace que el agua descongelada se evapore.



# Instrucciones de funcionamiento

## ALMACENAMIENTO DE VINO

La Capacidad Máxima\* del DWC93BLSDB es de 36 botellas de vino de 750 ml. \*Cuando se almacena según las instrucciones que aparecen a continuación.

Para alcanzar la máxima capacidad de almacenamiento de treinta y seis (36) botellas, es necesario:

- 1) Colocar 5 botellas horizontalmente, como en la Fig. A
- 2) Finalmente, coloque tres (3) botellas por repisa escalonada inferior, como se muestra en la Fig. B, para obtener un total de seis (6) botellas por nivel en la repisa inferior escalonada de dos niveles. Esto le dará una capacidad total de carga de 36 botellas.

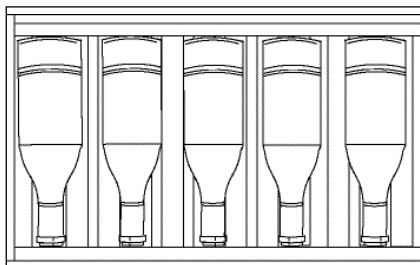


Fig. A

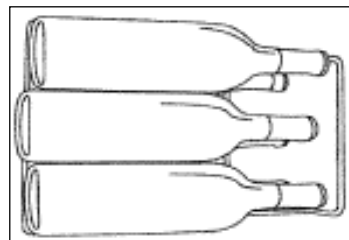


Fig. B

## INSTRUCCIONES SOBRE LOS ESTANTES



### IMPORTANTE

No cubra ninguna parte de la parrilla con papel aluminio ni con otros materiales que impidan una adecuada circulación de aire dentro de la unidad.

Para quitar la parrilla de su posición fija, levante la parte posterior de la parrilla y luego saque la parrilla de la unidad deslizándola, como se ilustra en la Fig. C

Para volver a instalarla, asegúrese de que la repisa esté segura sobre las ménsulas de soporte y empuje la parrilla hacia adentro hasta que se fije en su lugar.

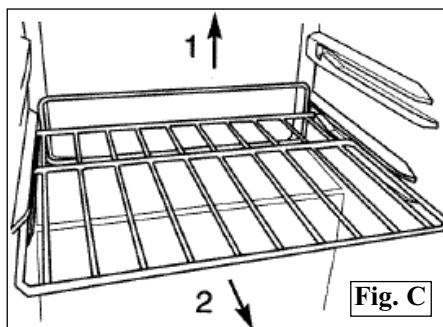


Fig. C



# Cuidado y mantenimiento

## CONSEJOS PRÁCTICOS

Deje que la puerta del enfriador de vinos permanezca abierta durante algunos minutos después de la limpieza manual para ventilar y secar el interior.

**NOTA:** Verifique que esté apagado antes de limpiar cualquier parte de este aparato.

## CÓMO LIMPIAR EL INTERIOR

**Nunca emplee limpiadores comerciales o abrasivos ni objetos punzocortantes en ninguna parte del enfriador de vinos.**

### **Paredes, piso, ventana interior y repisas:**

Algunos depósitos de agua y polvo se pueden eliminar con una toalla de papel seca, otros pueden requerir un paño mojado.

## CÓMO LIMPIAR EL EXTERIOR

**No use productos de limpieza que contengan amoníaco o alcohol en el enfriador de vinos. El amoníaco o el alcohol pueden dañar la apariencia del aparato.**

### **Caja Exterior:**

Es importante mantener limpia el área donde la puerta sella con la unidad. Limpie esta área con un paño enjabonado. Enjuague y luego seque.

### **Superficie de la puerta:**

Use sólo detergentes ligeros, no abrasivos aplicados con una esponja limpia o con un paño suave. Enjuague bien.

### **Tablero de control y puerta:**

Limpie con un paño húmedo y seque perfectamente. No use aerosoles para limpiar ni grandes cantidades de agua y jabón, objetos abrasivos o punzocortantes en el tablero ya que lo pueden dañar. Algunas toallas de papel también pueden rayar el tablero de control y la puerta de vidrio.



## Resolución de fallas

De vez en cuando se pueden presentar problemas menores, que no requieren tener que llamar para solicitar servicio. Use esta guía de solución de problemas para tratar de resolverlos. Si la unidad continúa funcionando inadecuadamente, llame a un centro autorizado de servicio o al número gratuito de Danby, **1-800-263-2629** para solicitar asistencia.

<b>PROBLEMA</b>	<b>POSIBLE CAUSA</b>	<b>SOLUCIÓN</b>
<b>1) No hay energía.</b>	<ul style="list-style-type: none"><li>• Es posible que se haya quemado un fusible en su casa o se haya activado un disyuntor eléctrico</li><li>• Sobrevoltaje</li> <li>• El enchufe no está introducido totalmente en el tomacorriente.</li></ul>	<ul style="list-style-type: none"><li>• Cambie el fusible o repositone el disyuntor eléctrico.</li> <li>• Desconecte el enfriador de vinos, espere algunos segundos y vuélvalo a conectar.</li><li>• Asegúrese de que el enchufe trifásico esté completamente dentro del tomacorriente.</li></ul>
<b>2) La temperatura del mueble es demasiado alta.</b>	<ul style="list-style-type: none"><li>• Graduación de la temperatura.</li> <li>• La puerta no cierra bien o se abre demasiado.</li> <li>• La ventila está obstruida.</li> <li>• Recientemente se agregó una gran cantidad de botellas tibias al mueble.</li></ul>	<ul style="list-style-type: none"><li>• Verifique la configuración del control de temperatura; ajústela si es necesario.</li><li>• Asegúrese de que la puerta esté totalmente cerrada y de que el empaque selle con los muebles. Abra la puerta sólo cuando sea necesario durante poco tiempo.</li> <li>• Verifique que nada bloquee al ventila frontal.</li><li>• Limite la cantidad de botellas tibias que introduce a la vez. Introduzca la carga de manera escalonada si es posible.</li></ul>
<b>3) Condensación en el mueble y/o en las puertas.</b>	<ul style="list-style-type: none"><li>• Condición de mucha humedad en la casa.</li></ul>	<ul style="list-style-type: none"><li>• Asegúrese de que la puerta esté totalmente cerrada y de que el empaque selle con el mueble. Abra la puerta sólo cuando sea necesario durante poco tiempo.</li></ul>



## GARANTÍA LIMITADA PARA ELECTRODOMÉSTICO

Este producto de calidad está garantizado contra defectos de fabricación, incluyendo partes y mano de obra, siempre y cuando la unidad se utilice bajo las condiciones normales de funcionamiento para las que fue diseñado.

Esta garantía está solamente disponible para la persona que haya comprado originalmente esta unidad directamente de Danby Products Limited (Canada) o Danby Products Inc. (U.S.A.) (en adelante "Danby") o uno de sus distribuidores autorizados, y no es transferible.

### CONDICIONES DE LA GARANTÍA

Las piezas plásticas, se autorizan por treinta (30) días solamente a partir de la fecha de la compra, sin las extensiones proporcionadas.

*Primeros 12 Meses* Durante los primer 12 meses, cualquier parte en buen estado de este producto que resulte defectuosa, incluyendo cualquier sistema sellado, será reparado o reemplazado, a opción del fabricante, sin cargo para el comprador ORIGINAL.

*Para obtener Servicio* Danby se reserva el derecho de limitar la cobertura de "Servicio en Domicilio" sujeto a la proximidad de un Taller de Servicio Autorizado. Para todo artefacto que requiera servicio fuera del área limitada de "Servicio en Domicilio", el cliente será responsable por transportar dicho artefacto hasta el Taller de Servicio Autorizado mas cercano. Consulte "Límites del servicio técnico a domicilio", a continuación. Comuníquese con el distribuidor donde haya comprado la unidad, o llame al Taller de Servicio Autorizado más cercano, donde debe ser reparada por un técnico calificado. Si esta unidad es reparada en otro lugar que no sea un Taller de Servicio Autorizado, o si la unidad se utiliza para aplicaciones comerciales, Danby no se hará responsable de ninguna forma y la garantía será anulada.

*Límites del servicio técnico a domicilio* Si el electrodoméstico está instalado en un lugar que se encuentra a 100 kilómetros (62 millas) o más del centro de servicios más cercano, se debe llevar la unidad al Centro de servicios Danby autorizado más cercano, ya que dicho servicio sólo puede realizarlo un técnico calificado y certificado por Danby para prestar servicios de garantía. Los cargos por transporte desde y hacia el lugar en que se efectúe el servicio técnico no están cubiertos por esta garantía y son de responsabilidad del comprador.

Nada dentro de esta garantía implica que Danby será responsable por cualquier daño que hayan sufrido los alimentos u otros contenidos de este aparato, ya sea debido a un defecto del aparato, o su uso, adecuado o inadecuado.

### EXCLUSIONES

Salvo lo aquí indicado por Danby, no existen otras garantías, condiciones o representaciones, explícitas o implícitas, concretas o intencionales por parte de Danby o sus distribuidores autorizados y todas las demás garantías, condiciones o representaciones, incluyendo cualquier garantía, condiciones o representaciones bajo cualquier Acta de Venta de Productos o legislación o estatuto similar, quedan de esta forma expresamente excluidas. Salvo lo aquí indicado, Danby no serán responsables por ningún daño a personas o bienes, incluyendo la propia unidad, sin importar su causa, o de ningún daño indirecto causado por el desperfecto de la unidad, y al comprar esta unidad, el comprador acepta por la presente, indemnizar y proteger a Danby contra cualquier reclamo por daños a personas o bienes causados por la unidad.

### CONDICIONES GENERALES

No se considerará ninguna de estas garantías o seguros cuando el daño o la necesidad de reparación sea el producto de los siguientes casos:

- 1) Falla del suministro eléctrico.
- 2) Daños en tránsito o durante el transporte de la unidad.
- 3) Alimentación incorrecta, como bajo voltaje, instalación eléctrica defectuosa o fusibles inadecuados.
- 4) Accidente, modificación, abuso o uso incorrecto del artefacto, tal como insuficiente ventilación del ambiente o condiciones de operación anormales (temperatura ambiente extremadamente alta o baja).
- 5) Utilización comercial o industrial (v.g., si el electrodoméstico no está instalado en una vivienda particular).
- 6) Incendio, daños por agua, robo, guerra, disturbios, hostilidades, actos de fuerza mayor como huracanes, inundaciones, etc.
- 7) Pedidos de servicio debido a desinformación del usuario.
- 8) Instalación inadecuada (v.g., instalación empotrada de un electrodoméstico diseñado como unidad independiente o uso de un electrodoméstico al aire libre que no esté aprobado para dicho fin).

Para acceder a la garantía se solicitará un comprobante de compra; por lo tanto, guarde su recibo. En caso de necesitar servicio de garantía, presente ese documento al TALLER DE SERVICIO AUTORIZADO.

**Servicio de Garantía**  
**Servicio en Domicilio**

Danby Products Limited  
PO Box 1778, Guelph, Ontario, Canada N1H 6Z9  
Telephone: (519) 837-0920 FAX: (519) 837-0449

**1-800-263-2629**

04/09

Danby Products Inc.  
PO Box 669, Findlay, Ohio, U.S.A. 45840  
Telephone: (419) 425-8627 FAX: (419) 425-8629



### WINE COOLER

The model number of your refrigerator is found on the serial plate located on the back, top left-hand corner of the refrigerator.

All repair parts are available for purchase or special order when you visit your nearest service depot. To request service and/or location of the service depot nearest you, call the toll free number listed to the left in Canada and the U.S.

When requesting service, or ordering parts, always provide the following information:

- **Product Type**
- **Model Number**

### REFROIDISSEUR À VIN

Le numéro del modèle de votre réfrigérateur se trouve sur la plaque d'identification qui se trouve sur le coin du haut gauche de l'arrière du réfrigérateur.

Toutes les pièces de rechange sont disponibles immédiatement ou peuvent être commandées de votre Centre de Service régional. Pour obtenir le service et/ou le Centre de Service le plus proche, téléphonez le numéro sans-frais indiqué à gauche pour le Canada et les États-Unis.

Ayez les informations suivantes à la portée de la main lors de la commande de pièces ou service:

- **Genre de produit**
- **Numéro de modèle**

### REFRIGERADOR PARA VINOS

El número del modelo de su refrigerador se encuentra en la placa de serie ubicada en el ángulo posterior superior izquierdo del refrigerador.

Todas las piezas de repuesto se encuentran disponibles para compra o por pedido especial cuando Ud. visite su departamento de servicio y/o la ubicación del departamento de servicio más cercano, llame al número de marcando gratis que aparece a la izquierda en el Canada y en los E.U.

Cuando solicite servicio o encargue repuestos, siempre proporcione la siguiente información:

- **Tipo de producto**
- **Número de modelo**



Model • Modèle • Modelo  
**DWC93BLSDB**