

Wall-Mount Canopy Vent Hood

E488WV120S



Dual-Centrifugal Blower

Effectively removes the most persistent food and cooking odors.



Infinite-Speed Blower Control

The ultraquiet blower allows you to dial in the precise airflow needed.



Dual Halogen Lighting with Dimmer Control

Two overhead halogen bulbs evenly illuminate the cooking surface and provide abundant light to enhance the cooking experience.



Dishwasher Safe Filters

Saturated filters can be rinsed and cycled through the dishwasher. The stainless steel filter provides strength and durability not found in foam filters.

18" WALL-MOUNT CANOPY VENT HOOD

FEATURES

Nominal Width	48"
Installation Type	Wall Mount
Air Discharge	Vertical or Horizontal
Air Delivery (CFM)	1200
Blower Type	Dual Centrifugal
Controls	Dial
Infinite-Speed Blower	Yes
Dual Halogen Lights	Yes
Dishwasher Safe Stainless Steel Filters	Yes
Exhaust Duct	External
Duct Required	10" Round or (2) 3-1/4" X 10"

ACCESSORIES

18"-High Vent Duct Cover – PN# ACCVC18-48	Optional
12"-High Vent Duct Cover – PN# ACCVC12-48	Optional
6"-High Vent Duct Cover – PN# ACCVC06-48	Optional

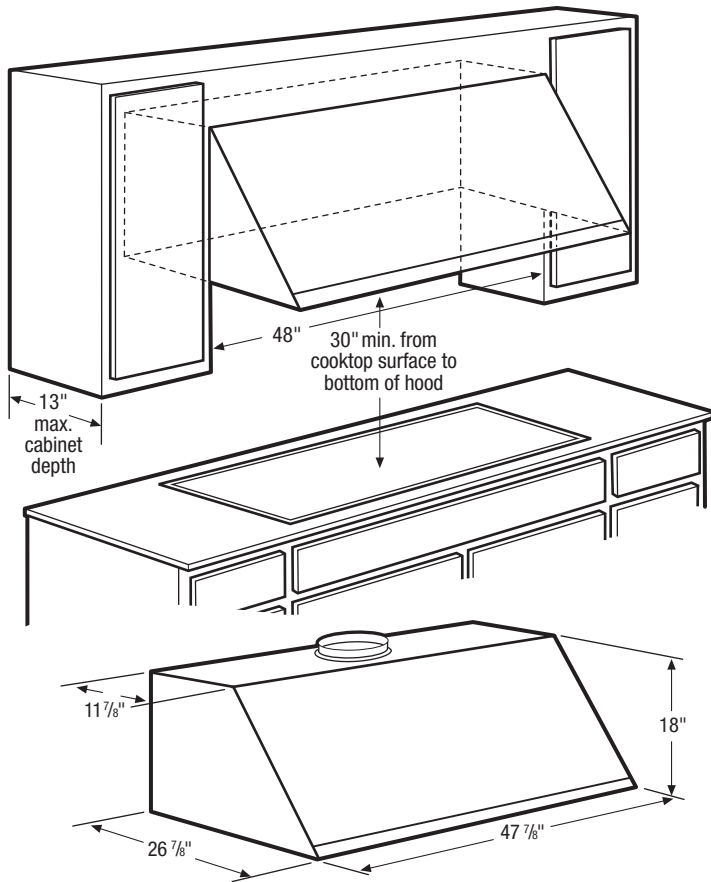
SPECIFICATIONS

Overall Exterior Dimensions –	
Height	18"
Width	47-7/8"
Depth	26-7/8"
Power Supply Location	Right Rear Top
Voltage Rating	120V/60Hz /15 or 20A
Connected Load (kW Rating) @ 120 Volts [†]	1.4
Shipping Weight (Approx.)	108 Lbs.

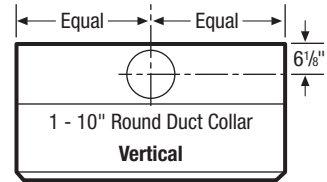
[†] For use on adequately wired 120V, dedicated circuit having 2-wire service with a separate ground wire. Appliance must be grounded for safe operation.

NOTE: Always consult local and/or national electric codes. Refer to Product Installation Guide for detailed installation instructions on the web at electroluxicon.com.

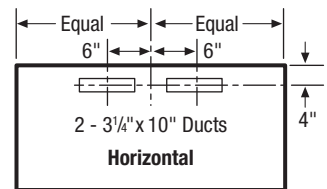
Specifications subject to change.



Vertical & Horizontal Exhaust Duct Location

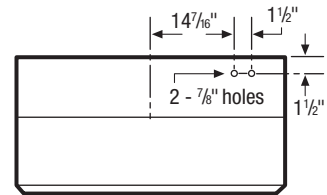


Top



Rear

Electrical Location



Top

18" Wall-Mount 48" Canopy Vent Hood Specifications

- Product Weight – 103 Lbs.
- Wall-Mount Installation – can be ducted vertically or horizontally.
- Voltage Rating – 120V/ 60Hz/ 15 or 20 Amps
- Connected Load (kW Rating) @ 120 Volts = 1.4kW
(For use on adequately wired 120V, dedicated circuit having 2-wire service with a separate ground wire. Appliance must be grounded for safe operation.)
- Amps @ 120 Volts = 12 Amps
- Always consult local and/or national electric codes. Check local building codes for installation requirements, as they may vary per locale.
- Vent unit outside of building only.
- Vertical Exhaust Duct Required – 10" round
- Horizontal Exhaust Ducts Required – Dual 3-1/4" x 10"
- Thermal breaks such as short section of nonmetallic duct, should be used in areas of extreme cold.

- For most efficient airflow exhaust, use a straight run or as few elbows as possible.
- Use metallic flex ducting only to connect rigid duct directly to transitions (if allowed by code).
- Cold weather installations should have additional backdraft damper installed.
- For most efficient operation, position hood low to cooktop. Recommended installation is 30" - 36" above countertop.

Note: For planning purposes only. Refer to Product Installation Guide on the web at electroluxicon.com for detailed instructions.

Optional Accessories

- 18"-High Vent Duct Cover – (PN# ACCVC18-48).
- 12"-High Vent Duct Cover – (PN# ACCVC12-48).
- 6"-High Vent Duct Cover – (PN# ACCVC06-48).