



# Induction Cooktop

E30IC80ISS



### Boil Water Quickly

Induction technology is more responsive than gas or electric, and the Power Assist™ function generates rapid heat, so you can bring water to a boil quickly.



### Exceptional Temperature Control

Adjust heat with greater precision than on gas or electric cooktops, especially at lower settings. Ideal for melting chocolate and cooking delicate foods and sauces.



### More Responsive

Cooking with induction is more responsive than gas or electric — you can instantly take the heat from boil to simmer.



### More Energy-Efficient

Cooking with induction is 70% more efficient than gas and 20% more efficient than electric.

## 30" INDUCTION COOKTOP

Configuration	4 Induction Elements
---------------	----------------------

### FEATURES

Black Vitroceramic Glass Surface	Yes
10" Element – 2500W/3800W	1
8" Element – 2400W/3400W	1
7" Element – 1900W/2600W	1
6" Element – 1500W/1900W	1
Custom-Set™ Controls	Yes
Keep Warm Setting	Yes
A.D.A. Compliant*	Yes

### ACCESSORIES

Granite Countertop Installation Kit – PN# 903061-9010	Optional
---	----------

### SPECIFICATIONS

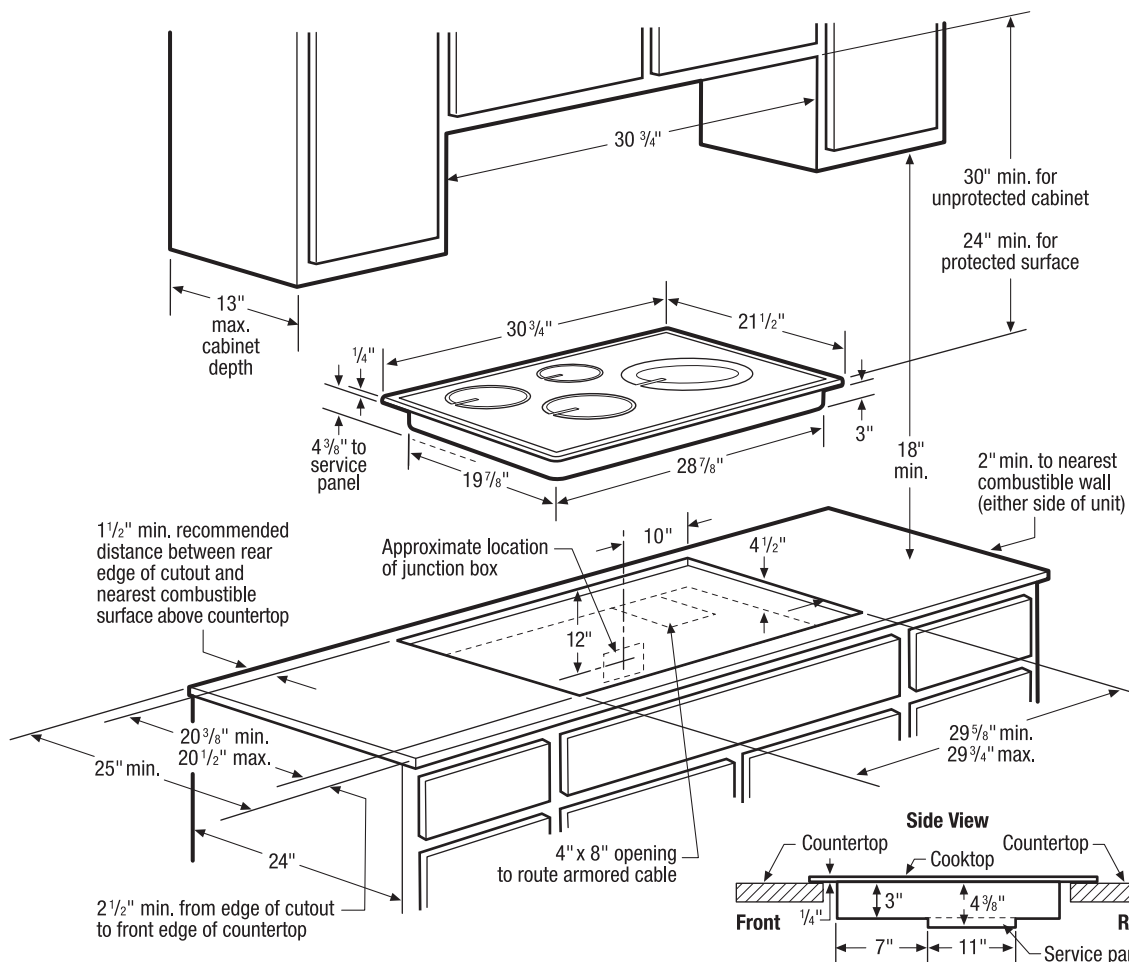
Product Dimensions –	Yes
Width	30-3/4"
Depth	21-1/2"
Height	4-3/8"
Power Supply Location	Middle Rear
Amps @ 240/208 Volts	32.1/32.2
Connected Load (kW Rating) @ 240/208 Volts	7.7/6.7
Electrical – Single phase 3- or 4-wire cable, 120/240V or 120/208V, 60Hz, fused on both sides of line with ground.	Required
Armored Electrical Cable	Included
Approved for Single Oven Combination Installation**	Yes
Approved for Downdraft Vent Combination Installation**	Yes
Shipping Weight (Approx.)	55 Lbs.

\*When properly installed, meets the appliance standards in the Americans with Disabilities Act and the Architectural Barriers Act Accessibility Guidelines as published by the United States Access Board on June 23, 2004, as amended August 5, 2005.

\*\*Approved to be used over any Electrolux ICON® Single Wall Oven and in combination with an Electrolux ICON® Downdraft Vent.

NOTE: Always consult local and national electric codes. Refer to Product Installation Guide for detailed installation instructions on the web at [electroluxicon.com](http://electroluxicon.com).

Specifications subject to change.



## 30" Induction Cooktop Specifications

- Product Weight – 48 Lbs.
- Single phase 3- or 4-wire cable, 120/240 or 120/208 Volt, 60 Hertz, fused on both sides of line with ground.
- Connected Load (kW Rating) @ 240/208 Volts = 7.7/6.7 kW
- Amps @ 240/208 Volts = 32.1/32.2 Amps
- Recommended Circuit Breaker – 40 Amps
- Always consult local and national electric codes.
- Allow 2" space below armored cable opening to clear electrical cable and allow space for installation of junction box on wall at back of cooktop.
- Overhead cabinetry should not exceed a 13" maximum depth.
- Allow 30" minimum clearance between top of cooktop and bottom of unprotected wood or metal overhead cabinetry.
- Absolute minimum horizontal distance between overhead cabinets installed to either side of appliance must be no less than maximum width of appliance.
- Allow 24" minimum clearance when bottom of wood or metal overhead cabinet is protected by not less than 1/8" flame-retardant millboard covered with not less than No. 28 MSG sheet steel, 0.015" stainless steel, 0.024" aluminum or 0.020" copper.

- Allow 1-1/2" minimum clearance between rear edge of cutout and nearest combustible surface above countertop.
- Allow 2" minimum clearance from edge of cooktop to nearest combustible wall on either side of unit.
- It is recommended that drawers not be used beneath cooktop.
- To reduce risk of fire when using overhead cabinetry, install vent hood that projects horizontally a recommended minimum of 5" beyond bottom of cabinets.
- Induction Drop-In Cooktop model E30IC80ISS is approved to be used over any Electrolux ICON® Single Wall Oven. (Refer to *Electric Cooktop Installation Over 30" Electric Single Wall Oven Specifications page on web.*)
- Induction Drop-In Cooktop model E30IC80ISS is approved to be used in combination with an Electrolux ICON® 30" Downdraft Vent. (Refer to *Drop-In Cooktop/Downdraft Vent Countertop Preparation page on web for detailed installation specifications.*)

**Note: For planning purposes only. Refer to Product Installation Guide on the web at [electroluxicon.com](http://electroluxicon.com) for detailed instructions.**

## Optional Accessories

- Granite Countertop Installation Kit – (PN# 903061-9010).

## Electrolux Major Appliances, N.A.

USA • 10200 David Taylor Drive • Charlotte, NC 28262 • 1-877-4electrolux (1-877-435-3287) • [electroluxicon.com](http://electroluxicon.com)  
 CANADA • 5855 Terry Fox Way • Mississauga, ON L5V 3E4 • 1-800-265-8352 • [electroluxicon.ca](http://electroluxicon.ca)



# Electric Cooktop Installation Over 30" Electric Single Wall Oven

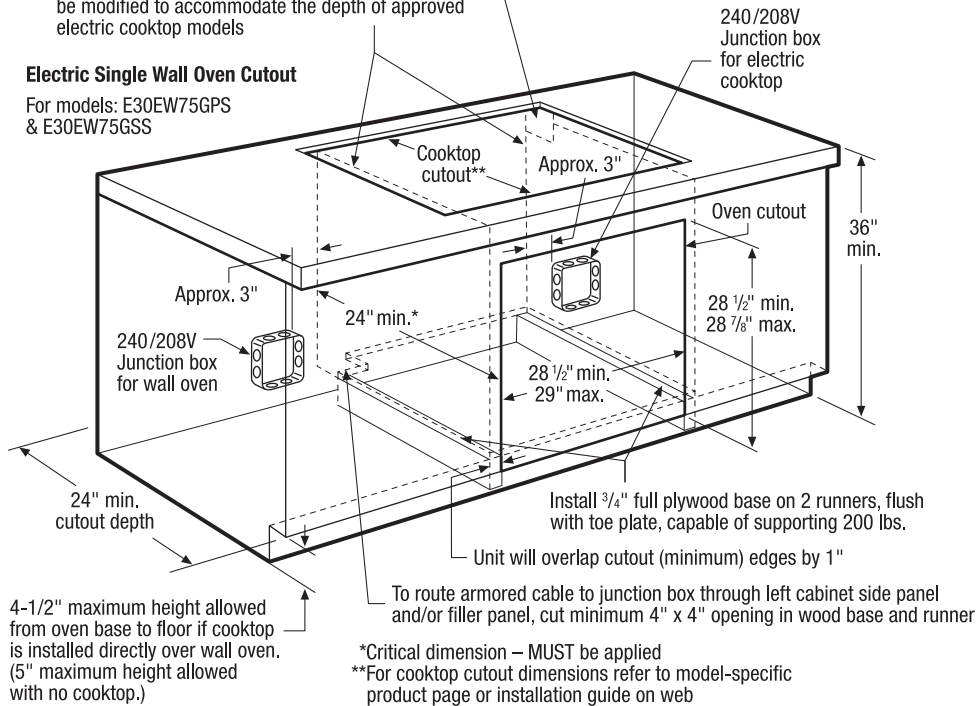


For all approved electric cooktop models, cut minimum 4" x 4" opening in right cabinet side panel and/or filler panel, to route armored cable to junction box

Side filler panels necessary to isolate oven from adjoining cabinets. Panel height may need to be modified to accommodate the depth of approved electric cooktop models

## Electric Single Wall Oven Cutout

For models: E30EW75GPS & E30EW75GSS



## 30" Electric Single Wall Oven Under-Counter Installation Specifications

- Product Weights – (E30EW75GPS) 178 Lbs. / (E30EW75GSS) 177 Lbs.
- Single phase 3- or 4-wire cable, 120/240 or 120/208 Volt, 60 Hertz AC only electrical supply with ground required on separate circuit fused on both sides of line.
- Connected Load (kW Rating) @ 240/208 Volts = 4.0/3.0kW
- Amps @ 240/208 Volts = 16.7/14.4 Amps
- Always consult local and national electric codes.
- Minimum 23-1/4" clearance for oven door depth when open.
- Minimum 24" deep cutout dimension is critical for proper installation, to ensure that oven's faceplate will fit flush against cabinet front.
- Full oven base of solid plywood or similar material required, capable of supporting 200 Lbs. Install over two runners and flush with toe plate.
- Base must be level and cabinet front must be square with finish-cut bottom edge.
- Side filler panels necessary to isolate oven from adjoining cabinets.
- Allow 5" maximum height from oven base to floor, if NO cooktop is installed directly over wall oven.

## Electric Cooktop Installation Over 30" Electric Single Wall Oven Specifications

Electrolux ICON® Single Wall Oven models E30EW75GPS and E30EW75GSS are approved to be used beneath Electrolux ICON® electric cooktop models E36IC80ISS, E30IC80ISS, E36EC70FSS and E30EC70FSS (*electric cooktop models NOT approved for use in this installation are E36EC75HSS, E30EC65ESS and E36EC65ESS*).

For detailed Electric Cooktop installation, refer to model-specific product page and installation guide on web.

- Side filler panels necessary to isolate oven from adjoining cabinets. Panel height may need to be modified to accommodate the depth of approved electric cooktop models.
- To route armored cable to junction box, cut minimum 4" x 4" opening in right cabinet side panel.
- Allow 4-1/2" maximum height from oven base to floor, if cooktop is installed directly over wall oven.

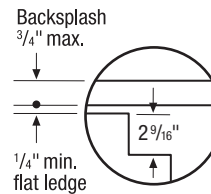
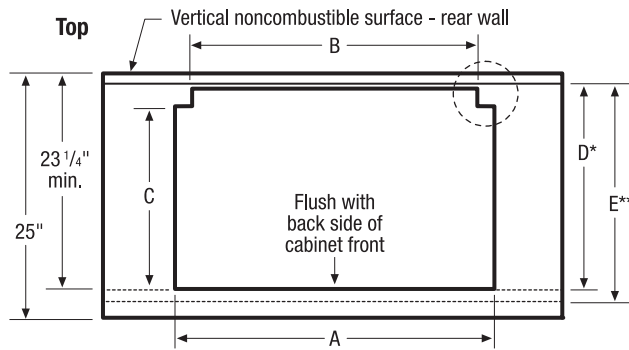
**Note: For planning purposes only. Refer to Product Installation Guide on the web at [electroluxicon.com](http://electroluxicon.com) for detailed instructions.**

## Electrolux Major Appliances, N.A.

USA • 10200 David Taylor Drive • Charlotte, NC 28262 • 1-877-4electrolux (1-877-435-3287) • [electroluxicon.com](http://electroluxicon.com)  
CANADA • 5855 Terry Fox Way • Mississauga, ON L5V 3E4 • 1-800-265-8352 • [electroluxicon.ca](http://electroluxicon.ca)

High standards of quality at Electrolux Home Products, Inc. mean we are constantly working to improve our products. We reserve the right to change specifications or discontinue models without notice.

## Countertop Preparation for 30" & 36" Drop-In Cooktop/Downdraft Vent Installation



For detailed cooktop and downdraft vent installation specifications, refer to model-specific product page and installation guide on web

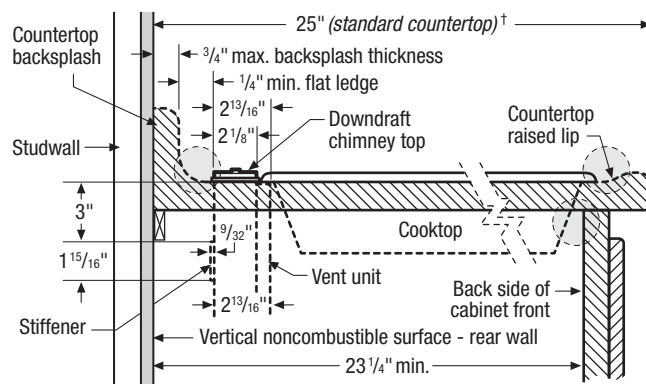
\* Overall flat ledge behind backside of cabinet front  
\*\* Minimum flat surface required to fit top surface of cooktop and downdraft vent cap

**E30DD75ESS/30" Cooktop Cutout Dimensions**

30" Cooktops	A	B	C	D	E
E30GC70FSS	28 1/2"	27 3/4"	19 3/4"	22 9/16"	23 9/16"
E30IC80ISS	29 3/4"	27 3/4"	20 1/2"	23 5/16"	24 5/16"
E30EC70FSS	30"	27 3/4"	20 1/4"	23 1/16"	24 1/16"
E30EC65ESS	30"	27 3/4"	20 1/2"	23 5/16"	24 5/16"

**E36DD75ESS/36" Cooktop Cutout Dimensions**

36" Cooktops	A	B	C	D	E
E36GC70FSS	34 1/4"	33 3/4"	19 3/4"	22 9/16"	23 9/16"
E36IC80ISS	36"	33 3/4"	20 1/2"	23 5/16"	24 5/16"
E36EC70FSS	36"	33 3/4"	20 1/4"	23 1/16"	24 1/16"
E36EC65ESS	36"	33 3/4"	20 1/2"	23 5/16"	24 5/16"



### Cooktop Installation Note:

To ensure proper installation, refer to model-specific installation guide on web for cooktop dimensions, cutout dimensions and cabinet requirements. Due to varying cooktop depths, tight fit is possible between cooktop and vent.

### Countertop Preparation Note:

Be aware of areas of potential interference called out in illustration. Countertop with raised lip and/or backsplash may not allow enough flat area for proper installation, 2-13/16" of flat countertop required behind cooktop. No gap required between back of cooktop and front of downdraft trim piece.

<sup>†</sup>Standard 25" countertop depth may NOT be adequate for some cooktop/vent installations, especially with backsplash.

### Drop-In Cooktop/Downdraft Vent Countertop Preparation Specifications

- For detailed Drop-In Cooktop installation, refer to model-specific product page and installation guide on web. Plan installation so that all required minimum clearances between cooktop, overhead cabinets and adjacent vertical walls are provided.
- Position cooktop/vent cutout so all required minimum clearances are met.
- Minimum flat countertop area must meet or exceed combined overall width and depth as shown. Standard 25" countertop depth may NOT be adequate for some cooktop/vent installations, especially with backsplash.
- Separate circuits required for cooktop and vent. (Refer to product-specific electrical specifications.)
- Always consult local and national electric and gas codes. Check local building codes for installation requirements, as they may vary per locale.

### Downdraft Vent Specifications

- For detailed Downdraft Vent installations, refer to model-specific product page and installation guide on web.
- Voltage Rating – 120V/ 60Hz/ 15 Amps
- Connected Load (kW Rating) @ 120 Volts = 1.0kW (For use on adequately wired 120V, dedicated circuit having 2-wire service with a separate ground wire. Appliance must be grounded for safe operation.)

- Amps @ 120 Volts = 8.0 Amps
- Vent unit outside of building only.
- Vent must be installed in vertical orientation only.
- 1,600 CFM remote exhaust blower (PN# 5304444802) included with vent – shipped in separate box.
- Do not use flexible duct. Round duct instead of rectangular duct recommended, especially when elbows are required.
- When multiple elbows are necessary, ensure a minimum of 24" of straight duct between any two elbows.
- Thermal breaks such as short section of nonmetallic duct, should be used in areas of extreme cold.
- For most efficient airflow exhaust, use a straight run or as few elbows as possible.
- Cold weather installations should have additional backdraft damper installed.
- Installing a Downdraft Vent in combination with any gas cooking surface will affect optimum burner efficiency.

**Note: For planning purposes only. Refer to Product Installation Guide on the web at [electroluxicon.com](http://electroluxicon.com) for detailed instructions.**

## Electrolux Major Appliances, N.A.

USA • 10200 David Taylor Drive • Charlotte, NC 28262 • 1-877-4electrolux (1-877-435-3287) • [electroluxicon.com](http://electroluxicon.com)  
CANADA • 5855 Terry Fox Way • Mississauga, ON L5V 3E4 • 1-800-265-8352 • [electroluxicon.ca](http://electroluxicon.ca)

High standards of quality at Electrolux Home Products, Inc. mean we are constantly working to improve our products. We reserve the right to change specifications or discontinue models without notice.