

Electric Drop-In Cooktop

E36EC65ESS



Professional-Style Knobs with Digital Display

The large, professional-style control knobs provide precise control and convenient preset digital settings.



Expandable Elements

Flexible elements with up to 4,400 watts of power expand to fit virtually any pan size so you have the utmost versatility.



Sleek Smoothtop Glass Design

The smooth, glass design of the cooktop seamlessly integrates with your countertop for a polished, premium look, making it easy to clean.



Blue LED Indicator Light

A blue LED indicator light remains illuminated until the surface is cool to the touch.

36" ELECTRIC DROP-IN COOKTOP

Configuration	5 Electric Elements
---------------	---------------------

FEATURES

Black Ceramic Smoothtop Glass Surface	Yes
Professional-Style Knobs with Digital Display	5
Blue LED Indicator Light	Yes
6" to 9" Dual Element – 1200W/2500W	2
5" to 7" to 9" Expandable Element – 1000W/1800W/2700W	1
6" Element – 1200W	2
Spill Control Cooktop	Yes
A.D.A. Compliant*	Yes

ACCESSORIES

Granite Countertop Installation Kit – PN# 903061-9010	Optional
---	----------

SPECIFICATIONS

Overall Exterior Dimensions –	
Width	36-3/4"
Depth	21-1/2"
Height	4"
Power Supply Location	Middle Rear
Amps @ 240/208 Volts	42.0/36.5
Connected Load (kW Rating) @ 240/208 Volts	10.16/7.63
Electrical – Single phase 3- or 4-wire cable, 120/240V or 120/208 V, 60 Hz, fused on both sides of line with ground.	Required
Armored Electrical Cable	Included
Approved for Single Oven Combination Installation**	No
Approved for Downdraft Vent Combination Installation***	Yes
Shipping Weight (Approx.)	50 Lbs.

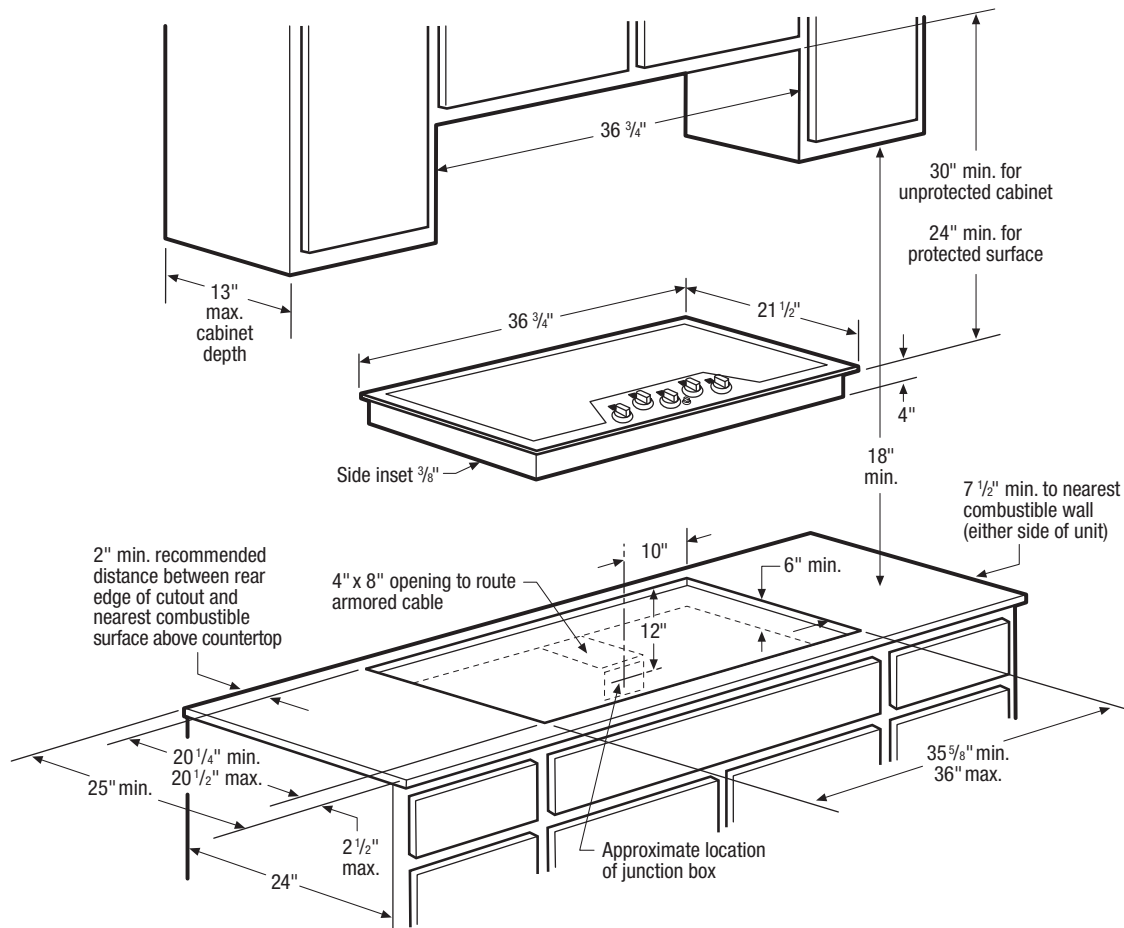
*When properly installed, meets the appliance standards in the Americans with Disabilities Act and the Architectural Barriers Act Accessibility Guidelines as published by the United States Access Board on June 23, 2004, as amended August 5, 2005.

** Not approved to be used over any Electrolux ICON® Single Wall Oven.

*** Approved to be used in combination with an Electrolux ICON® Downdraft Vent.

NOTE: Always consult local and national electric codes. Refer to Product Installation Guide for detailed installation instructions on the web at electroluxicon.com.

Specifications subject to change.



36" Electric Drop-In Cooktop Specifications

- Product Weight – 44 Lbs.
- Single phase 3- or 4-wire cable, 120/240 or 120/208 Volt, 60 Hertz AC only electrical supply with ground required on separate circuit fused on both sides of line.
- Connected Load (kW Rating) @ 240/208 Volts = 10.16/7.63kW
- Amps @ 240/208 Volts = 42.0/36.5 Amps
- Always consult local and national electric codes.
- Allow 2" space below armored cable opening to clear electrical cable and allow space for installation of junction box on wall at back of cooktop.
- Overhead cabinetry should not exceed a 13" maximum depth.
- Allow 30" minimum clearance between top of cooktop and bottom of unprotected wood or metal overhead cabinetry.
- Absolute minimum horizontal distance between overhead cabinets installed to either side of appliance must be no less than maximum width of appliance.
- Allow 24" minimum clearance when bottom of wood or metal overhead cabinet is protected by not less than 1/8" flame-retardant millboard covered with not less than No. 28 MGS sheet steel, 0.015" stainless steel, 0.024" aluminum or 0.020" copper.
- Allow 2" minimum clearance between rear edge of cutout and nearest combustible surface above countertop.
- Allow 7-1/2" minimum clearance from edge of cooktop to nearest combustible wall on either side of unit.
- It is recommended that drawers not be used beneath cooktop.
- To reduce risk of fire when using overhead cabinetry, install vent hood that projects horizontally a recommended minimum of 5" beyond bottom of cabinets.
- Electric Drop-In Cooktop model E36EC65ESS is NOT approved to be used over any Electrolux ICON® Single Wall Oven.
- Electric Drop-In Cooktop model E36EC65ESS is approved to be used in combination with an Electrolux ICON® 36" Downdraft Vent. (Refer to Drop-In Cooktop/Downdraft Vent Countertop Preparation page on web for detailed installation specifications.)

Note: For planning purposes only. Refer to Product Installation Guide on the web at electroluxicon.com for detailed instructions.

Optional Accessories

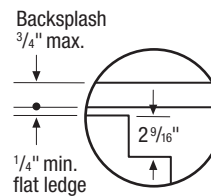
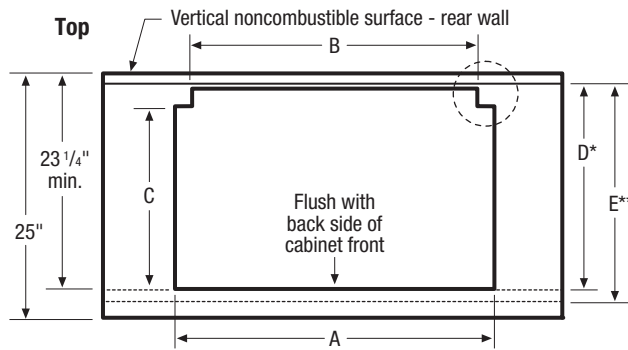
- Granite Countertop Installation Kit – (PN# 903061-9010).

Electrolux Major Appliances, N.A.

USA • 10200 David Taylor Drive • Charlotte, NC 28262 • 1-877-4electrolux (1-877-435-3287) • electroluxicon.com
CANADA • 5855 Terry Fox Way • Mississauga, ON L5V 3E4 • 1-800-265-8352 • electroluxicon.ca



Countertop Preparation for 30" & 36" Drop-In Cooktop/Downdraft Vent Installation



For detailed cooktop and downdraft vent installation specifications, refer to model-specific product page and installation guide on web

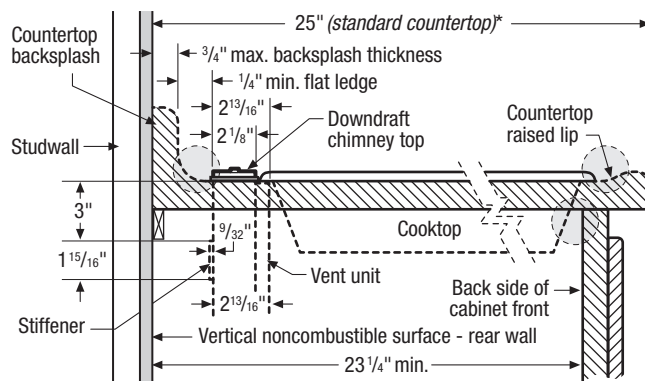
* Overall flat ledge behind backside of cabinet front
** Minimum flat surface required to fit top surface of cooktop and downdraft vent cap

E30DD75ESS/30" Cooktop Cutout Dimensions

30" Cooktops	A	B	C	D	E
E30EC65ESS	30"	27 3/4"	20 3/8"	23 3/16"	24 3/16"
E30EC70FSS	30"	27 3/4"	20 1/4"	23 1/16"	24 1/16"
E30GC64ESS	27 1/2"	27 3/4"	19 7/8"	22 11/16"	23 11/16"
E30GC70FSS	28 1/2"	27 3/4"	19 3/4"	22 9/16"	23 9/16"
E30IC80ISS	29 3/4"	27 3/4"	20 1/2"	23 3/16"	24 5/16"

E36DD75ESS/36" Cooktop Cutout Dimensions

36" Cooktops	A	B	C	D	E
E36EC65ESS	36"	33 3/4"	20 3/8"	23 3/16"	24 3/16"
E36EC70FSS	36"	33 3/4"	20 1/2"	23 5/16"	24 5/16"
E36GC65ESS	33 3/4"	33 3/4"	19 7/8"	22 11/16"	23 11/16"
E36GC70FSS	34 1/2"	33 3/4"	19 3/4"	22 9/16"	23 9/16"
E36IC80ISS	36"	33 3/4"	20 1/2"	23 3/16"	24 5/16"



Cooktop Installation Note:

To ensure proper installation, refer to model-specific installation guide on web for cooktop dimensions, cutout dimensions and cabinet requirements. Due to varying cooktop depths, tight fit is possible between cooktop and vent.

Countertop Preparation Note:

Be aware of areas of potential interference called out in illustration. Countertop with raised lip and/or backsplash may not allow enough flat area for proper installation, 2-13/16" of flat countertop required behind cooktop. No gap required between back of cooktop and front of downdraft trim piece.

*Standard 25" countertop depth may NOT be adequate for some cooktop/vent installations, especially with backsplash.

Drop-In Cooktop/Downdraft Vent Countertop Preparation Specifications

- For detailed Drop-In Cooktop installation, refer to model-specific product page and installation guide on web. Plan installation so that all required minimum clearances between cooktop, overhead cabinets and adjacent vertical walls are provided.
- Position cooktop/vent cutout so all required minimum clearances are met.
- Minimum flat countertop area must meet or exceed combined overall width and depth as shown. Standard 25" countertop depth may NOT be adequate for some cooktop/vent installations, especially with backsplash.
- Separate circuits required for cooktop and vent. (Refer to product-specific electrical specifications.)
- Always consult local and national electric and gas codes. Check local building codes for installation requirements, as they may vary per locale.

Downdraft Vent Specifications

- For detailed Downdraft Vent installations, refer to model-specific product page and installation guide on web.
- Voltage Rating – 120V/ 60Hz/ 15 Amps
- Connected Load (kW Rating) @ 120 Volts = 1.0kW (For use on adequately wired 120V, dedicated circuit having 2-wire service with a separate ground wire. Appliance must be grounded for safe operation.)

- Amps @ 120 Volts = 8.0 Amps
- Vent unit outside of building only.
- Vent must be installed in vertical orientation only.
- 1,600 CFM remote exhaust blower (PN# 5304444802) included with vent – shipped in separate box.
- Do not use flexible duct. Round duct instead of rectangular duct recommended, especially when elbows are required.
- When multiple elbows are necessary, ensure a minimum of 24" of straight duct between any two elbows.
- Thermal breaks such as short section of nonmetallic duct, should be used in areas of extreme cold.
- For most efficient airflow exhaust, use a straight run or as few elbows as possible.
- Cold weather installations should have additional backdraft damper installed.
- Installing a Downdraft Vent in combination with any gas cooking surface will affect optimum burner efficiency.

Note: For planning purposes only. Refer to Product Installation Guide on the web at electroluxicon.com for detailed instructions.

Electrolux Major Appliances, N.A.

USA • 10200 David Taylor Drive • Charlotte, NC 28262 • 1-877-4electrolux (1-877-435-3287) • electroluxicon.com
CANADA • 5855 Terry Fox Way • Mississauga, ON L5V 3E4 • 1-800-265-8352 • electroluxicon.ca

High standards of quality at Electrolux Home Products, Inc. mean we are constantly working to improve our products. We reserve the right to change specifications or discontinue models without notice.