

30" & 36" DUAL FUEL RANGE INSTALLATION INSTRUCTIONS

(Model with Electric Oven and Gas Cooktop)

INSTALLATION AND SERVICE MUST BE PERFORMED BY A QUALIFIED INSTALLER.
IMPORTANT: SAVE FOR LOCAL ELECTRICAL INSPECTOR'S USE.
READ AND SAVE THESE INSTRUCTIONS FOR FUTURE REFERENCE.
OBSERVE ALL GOVERNING CODES AND ORDINANCES.

⚠ WARNING If the information in this manual is not followed exactly, a fire or explosion may result causing property damage, personal injury or death.

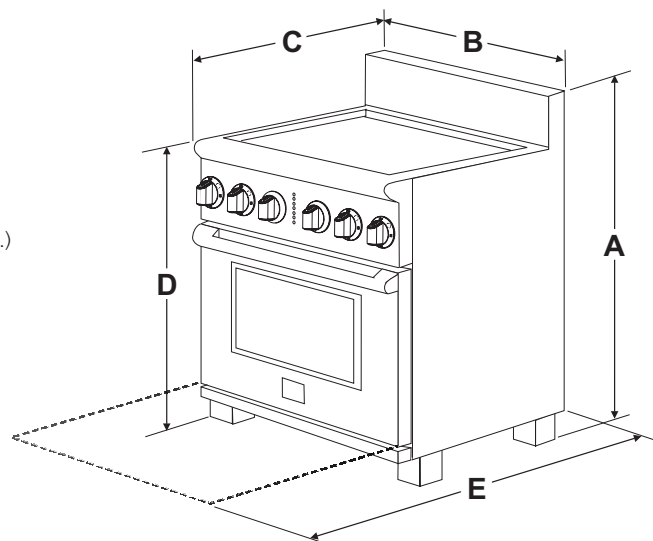
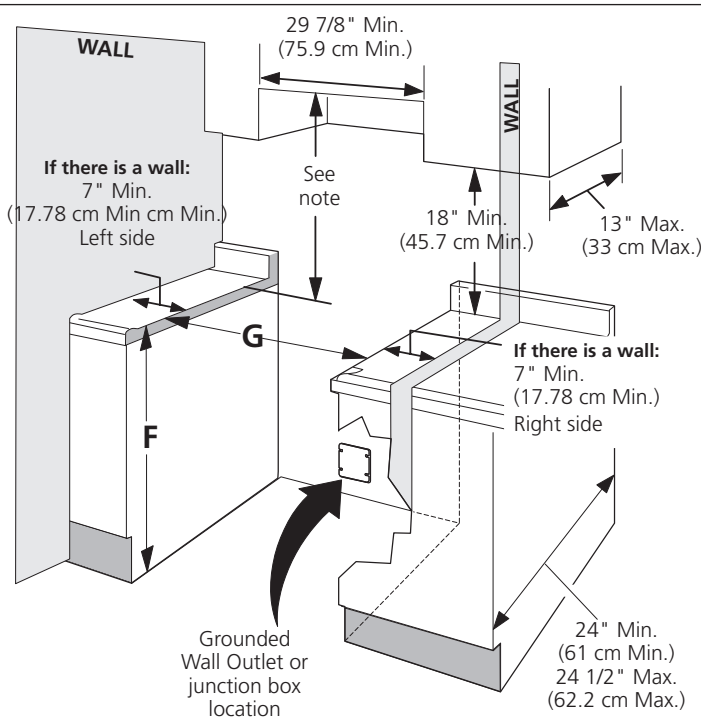
FOR YOUR SAFETY:

- Do not store or use gasoline or other flammable vapors and liquids in the vicinity of this or any other appliance.
- **WHAT TO DO IF YOU SMELL GAS:**
 - Do not try to light any appliance.
 - Do not touch any electrical switch; do not use any phone in your building.
 - Immediately call your gas supplier from a neighbor's phone. Follow the gas supplier's instructions.
 - If you cannot reach your gas supplier, call the fire department.
- Installation and service must be performed by a qualified installer, service agency or the gas supplier.



Refer to your serial plate for applicable agency certification

Note: For appliances installed in the state of Massachusetts see page 3.



NOTE: 24" (61 cm) minimum clearance between the cooktop and the bottom of the cabinet when the bottom of wood or metal cabinet is protected by not less than 1/4" (0.64 cm) flame retardant millboard covered with not less than No. 28 MSG sheet metal, 0.015" (0.4 mm) stainless steel, 0.024" (0.6 mm) aluminum, or 0.020" (0.5 mm) copper.
 30" (76.2 cm) minimum clearance when the cabinet is unprotected.

Do not pinch the power supply cord between the range and the wall.
 Do not seal the range to the side cabinets.

Figure 1 - 30" Range (36" Range, see next page)

A. HEIGHT	B. WIDTH	C. DEPTH TO FRONT OF RANGE	D. HEIGHT OF COOKTOP	E. DEPTH WITH DOOR OPEN	F. HEIGHT OF COUNTERTOP	G. MINIMUM CUTOUT WIDTH
41 5/8" (105.7 cm) Min. 42 5/8" (108.3 cm) Max.	29 7/8" (75.9 cm)	27 1/2" (69.9 cm)	35 3/4" (90.8 cm) Min. 36 3/4" (93.3 cm) Max.	45 1/2" (115.6 cm)	36" (91.4 cm) Standard 35 3/4" (90.8 cm) Min.	30 1/16" (76.4 cm)

Note: Wiring diagram for this model is enclosed in this booklet (see page 36).

P/N 318201773 (0809) Rev. B

Printed in United States

English - pages 1-12; Español - páginas 13-24
 Français - pages 25-36 ; Wiring Diagram - page 36

30" & 36" DUAL FUEL RANGE INSTALLATION INSTRUCTIONS

(Model with Electric Oven and Gas Cooktop)

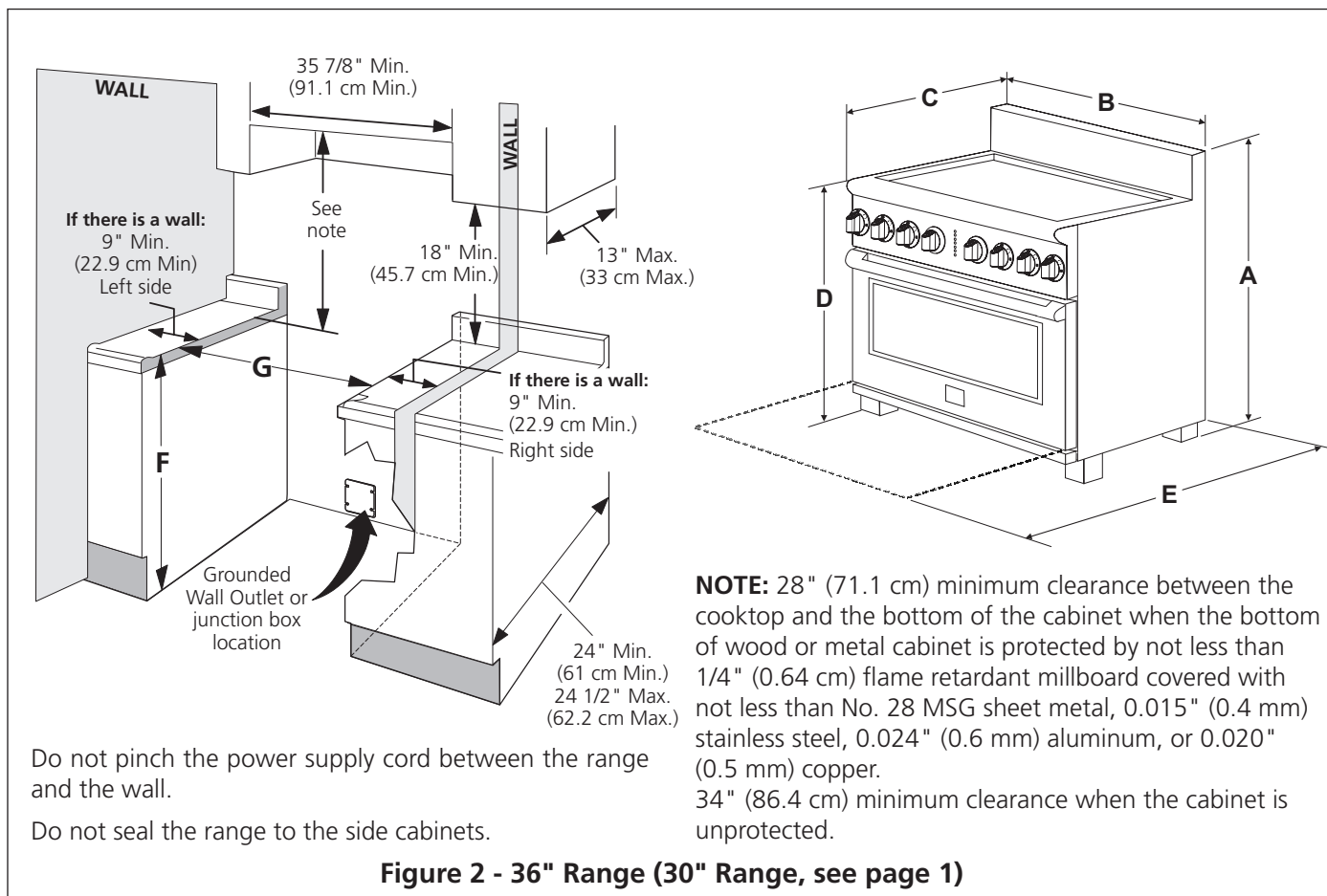


Figure 2 - 36" Range (30" Range, see page 1)

A. HEIGHT	B. WIDTH	C. DEPTH TO FRONT OF RANGE	D. HEIGHT OF COOKTOP	E. DEPTH WITH DOOR OPEN	F. HEIGHT OF COUNTERTOP	G. MINIMUM CUTOUT WIDTH
41 5/8" (105.7 cm) Min. 42 5/8" (108.3 cm) Max.	35 7/8" (91.1 cm)	27 1/2" (69.9 cm)	35 3/4" (90.8 cm) Min. 36 3/4" (93.3 cm) Max.	47 3/8" (120.3 cm)	36" (91.4 cm) Standard 35 3/4" (90.8 cm) Min.	36 1/16" (91.6 cm)

Important Notes to the Installer

1. Read all instructions contained in these installation instructions before installing range.
2. Remove all packing material from the oven compartments before connecting the electrical supply to the range.
3. Observe all governing codes and ordinances.
4. Be sure to leave these instructions with the consumer.
5. Note: For operation at 2000 ft. elevations above see level, appliance rating shall be reduced by 4 percent for each additional 1000 ft.

Important Note to the Consumer

Keep these instructions with your owner's guide for future reference.

Optional Items Available:

- A Cooktop Trim, if you want to remove the actual 6" Stainless Steel Backsplash.
- A 9" (22.9 cm) Stainless Steel Backsplash
- A 12" (30.5 cm) Stainless Steel Backsplash

Those kits can be ordered for purchase through an Electrolux Service Center at 1-877-4ELECTROLUX (1-877-435-3287).

IMPORTANT SAFETY INSTRUCTIONS

Installation of this range must conform with local codes or, in the absence of local codes, with the National Fuel Gas Code ANSI Z223.1—latest edition.

When installing in a manufactured (mobile) home, installation must conform with Manufactured Home Construction and Safety Standard, title 24CFR, part 3280 [Formerly the Federal Standard for Mobile Home Construction and Safety, title 24, HUD (part 280)] or, when such standard is not applicable, the Standard for Manufactured Home Installation, ANSI Z225.1/NFPA 501A-latest edition, or with CAN/CSA-Z240 MH, or with local codes .

This range has been design certified by CSA international. As with any appliance using gas and generating heat, there are certain safety precautions you should follow. You will find them in the Use and Care Guide, read it carefully.

30" & 36" DUAL FUEL RANGE INSTALLATION INSTRUCTIONS

(Model with Electric Oven and Gas Cooktop)

- Be sure your range is installed and grounded properly by a qualified installer or service technician.
- This range must be electrically grounded in accordance with local codes or, in their absence, with the National Electrical Code ANSI/NFPA No. 70—latest edition in the United States or with CSA standard C22.1, Canadian Electrical Code, Part 1 in Canada.
- Make sure the wall coverings around the range can withstand the heat generated by the range.

	<p>⚠ WARNING</p> <ul style="list-style-type: none"> • All ranges can tip. • Injury to persons could result. • Install anti-tip device packed with range. 	<p>⚠ WARNING To reduce the risk of tipping of the range, the range must be secured by properly installed anti-tip bracket(s) provided with the range. To check if the bracket is installed properly, grasp the top rear edge of the range and carefully tilt it forward to make sure the range is anchored.</p>
--	--	--

- Before installing the range in an area covered with linoleum or any other synthetic floor covering, make sure the floor covering can withstand heat at least 90°F/32°C above room temperature without shrinking, warping or discoloring. Do not install the range over carpeting unless you place an insulating pad or sheet of 1/4" (6.4 mm) thick plywood between the range and carpeting.
- Do not obstruct the flow of combustion air at the oven vent nor around the base or beneath the lower front panel of the range. Avoid touching the vent openings or nearby surfaces as they may become hot while the oven is in operation. This range requires fresh air for proper burner combustion.

⚠ WARNING Never leave children alone or unattended in the area where an appliance is in use. As children grow, teach them the proper, safe use of all appliances. Never leave the oven door open when the range is unattended.

⚠ WARNING Stepping, leaning or sitting on the door of this range can result in serious injuries and can also cause damage to the range.

- Do not store items of interest to children in the cabinets above the range. Children could be seriously burned climbing on the range to reach items.
- To eliminate the need to reach over the surface units, cabinet storage space above the units should be avoided.
- Adjust surface burner flame size so it does not extend beyond the edge of the cooking utensil. Excessive flame is hazardous.
- Do not use the oven as a storage space. This creates a potentially hazardous situation.
- Never use your range for warming or heating the room. Prolonged use of the range without adequate ventilation can be dangerous.

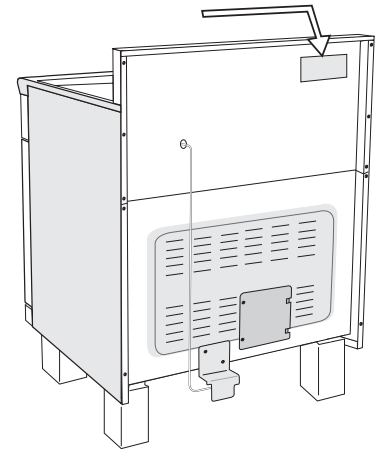
- Do not store or use gasoline or other flammable vapors and liquids near this or any other appliance. Explosions or fires could result.
- In the event of an electrical power outage, the surface burners can be lit manually. To light a surface burner, hold a lit match to the burner head and rapidly turn the Surface Control knob to Med. Use caution when lighting surface burners manually.
- Remove broiler pan, food and other utensils before self-cleaning the oven. Wipe up excess spillage. Follow the cleaning instructions in the Use & Care Guide.
- Unlike the standard gas range, THIS COOKTOP IS NOT REMOVABLE. Do not attempt to remove the cooktop.

Special Instructions for appliances installed in the State of Massachusetts: This appliance can only be installed in the State of Massachusetts by a Massachusetts licensed plumber or gas fitter. When using a flexible gas connector, it must not exceed 3 feet (36 inches) in length. A "T" handle type manual gas valve must be installed in the gas supply line to this appliance.

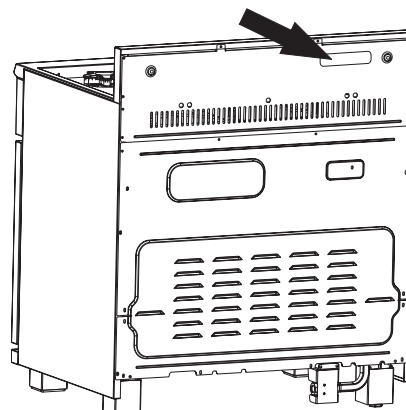
1. Model and Serial Number Location

The serial plate is located at back of the appliance.

When ordering parts for or making inquiries about your oven, always be sure to include the model and serial numbers and a lot number or letter from the serial plate on your oven.



30" Range



36" Range

30" & 36" DUAL FUEL RANGE INSTALLATION INSTRUCTIONS

(Model with Electric Oven and Gas Cooktop)

2. Factory Connected Power Supply Cord (Canada only)

Your range is equipped with a factory-connected power cord (see Figure 3). Cord must be connected to a grounded 120/240 volt or 120/208 volt range outlet. If not outlet is available, have one installed by a qualified electrician.

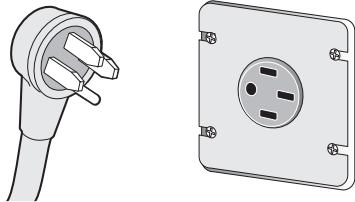


Figure 3

3. Junction Box or Wall Receptacle Location

Suggested location of the junction box or wall receptacle is shown in Figure 4 for 30" Range and on figure 5 for 36" Range. It can also be located in the lower left corner of the adjacent right cabinet (see Figure 6). If a service cord is used, the wall receptacle should be located in accordance with the dimensions below.

4. Power Supply Cord Kit (U.S.A.)

The user is responsible for connecting the power supply cord to the connection block located behind the back panel access cover.

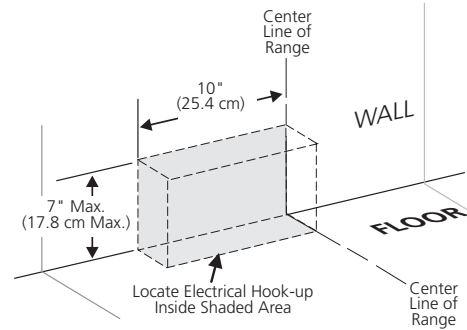
This appliance may be connected by means of permanent "hard wiring" (flexible armored or nonmetallic shielded copper cable), or by means of a power supply cord kit. Use only a power supply cord kit rated at 125/250 volts minimum and marked for use with ranges. Cord must have either 3 or 4 conductors.

Terminals on end of wires must either be closed loop or open-end spade lugs with upturned ends. Cord must have strain relief clamp.

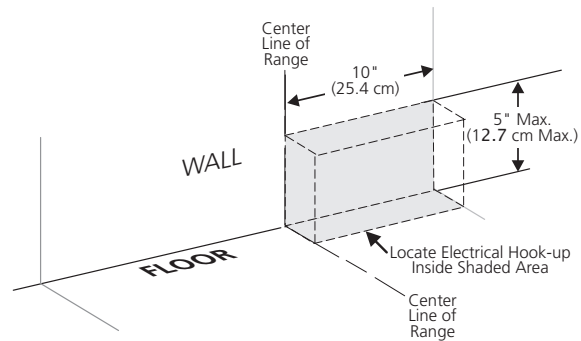
A 3-wire* or 4-wire single phase 120/240 or 120/208 Volt, 60 Hz AC only electrical supply is required on a separate circuit fused on both sides of the line (time-delay fuse or circuit breaker is recommended). DO NOT fuse neutral. The fuse size must not exceed the circuit rating of the appliance specified on the nameplate.

For 30" or 36" Range: Use a power supply cord kit rated at 30A.

* For mobile homes, new installations, recreational vehicles, or areas where local codes do not permit grounding through neutral, a 4 conductor power supply cord kit rated at 125/250 volts and marked for use with ranges should be used (see Figure 10).



30" Range Junction Box or Wall Receptacle Location - Figure 4



36" Range Junction Box or Wall Receptacle Location - Figure 5

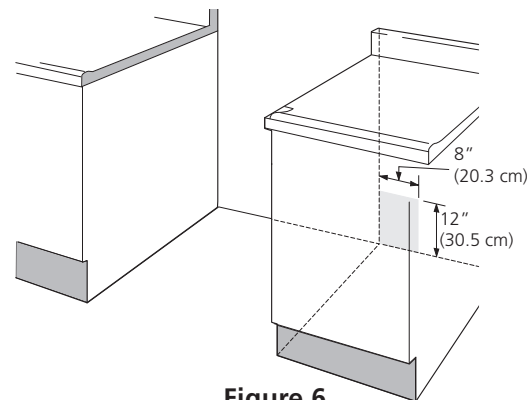


Figure 6

WARNING Electrical Shock Hazard

- Electrical ground is required on this appliance.
- Do not connect to the electrical supply until appliance is permanently grounded.
- Disconnect power to the circuit breaker or fuse box before making the electrical connection.
- This appliance must be connected to a grounded, metallic, permanent wiring system, or a grounding connector should be connected to the grounding terminal or wire lead on the appliance.
- Do not use the gas supply line for grounding the appliance.

Failure to do any of the above could result in a fire, personal injury or electrical shock.

30" & 36" DUAL FUEL RANGE INSTALLATION INSTRUCTIONS

(Model with Electric Oven and Gas Cooktop)

5. Electrical Connection to the Range (US models only)

This appliance is manufactured with the neutral terminal connected to the range.

⚠ WARNING You may not ground the oven through the neutral (white) wire if oven is used in a new branch circuit installation (1996 NEC), mobile home, recreational vehicle, or where local codes do not permit grounding through the neutral (white) wire. When grounding through the neutral (white) wire is prohibited, you must use a 4-wire power supply cable. See Section 5B. Failure to heed this warning may result in electrocution or other serious personal injury.

⚠ CAUTION While connecting range, do not loosen the nuts which secure the terminal block to the range. Electrical failure or loss of electrical connection may occur.

5.A Three Conductor Wire Connection to the Range

(The 3-conductor cord or cable must be replaced with a 4-conductor cord or cable where grounding through the neutral conductor is prohibited in new installations, mobile homes, recreational vehicles or in other areas where local codes do not permit neutral grounding)

If local codes permit connection of the frame grounding conductor to the neutral wire of the power supply cord (Figure 9):

1. Remove the screws at the lower end of the rear wire access panel or cover, then remove the access cover or lift the lower part of the access panel to expose range terminal connection block (Fig. 7 or 8).

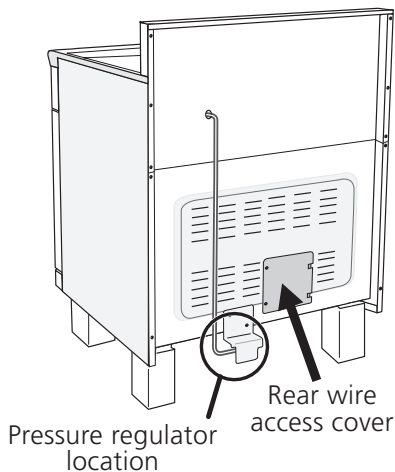


Figure 7 - 30" Range

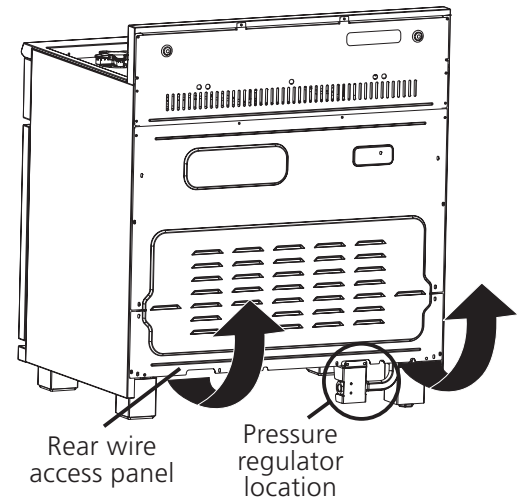


Figure 8 - 36" Range

2. Remove the 3 loose nuts on the terminal block using 3/8" nut driver or socket.
3. Connect the neutral white wire of the power supply cord to the center silver-colored terminal of the terminal block, and connect the other wires to the outer terminals. Match terminal and power supply wires by color.
4. Replace the 3 nuts on the terminal block (Figure 9).
5. Replace the rear access cover or panel using the screws removed on step 1.

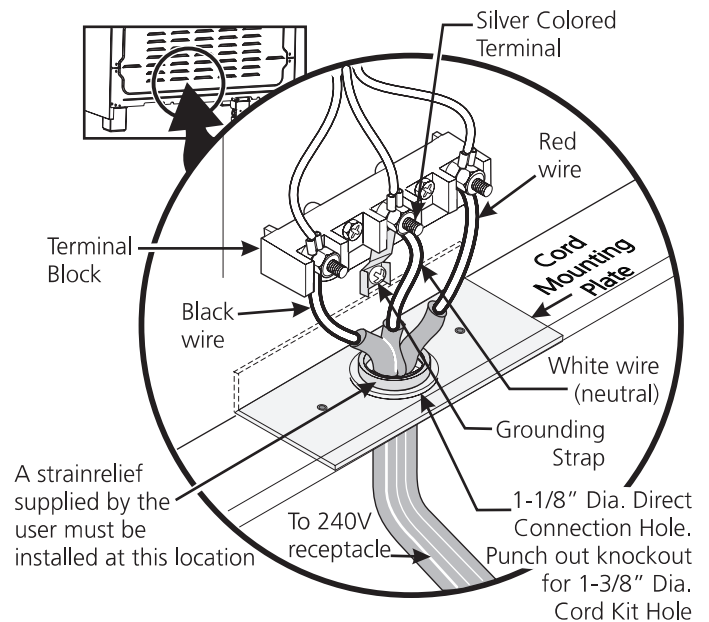


Figure 9
Three Conductor or Wire Connection to Range

⚠ WARNING Risk of fire or electrical shock exists if an incorrect size range cord kit is used, if the Installation Instructions are not followed, or if the strain relief bracket is discarded.

30" & 36" DUAL FUEL RANGE INSTALLATION INSTRUCTIONS

(Model with Electric Oven and Gas Cooktop)

5.B Four Conductor Wire Connection to the Range

1. Remove the screws at the lower end of the rear wire access cover or panel, then remove the access cover or lift the lower part of the access panel to expose range terminal connection block (Fig. 7 or 8).
2. Remove the three loose nuts (after you removed the rubber band) on the terminal block using a 3/8" nut driver or socket.
3. Remove the grounding strap from the terminal block and from the appliance frame.
4. Connect the ground wire (green) of the power supply cord to the frame of the appliance with the ground screw, using the hole in the frame where the ground strap was removed (see Figure 10).
5. Connect the neutral wire of the power supply cord to the center silver-colored terminal of the terminal block, and connect the other wires to the outer terminals. Match terminal and power supply wires by color.
6. Replace the 3 nuts on the terminal block (see Figure 10).
7. Replace the rear access panel using the screws removed on step 1.

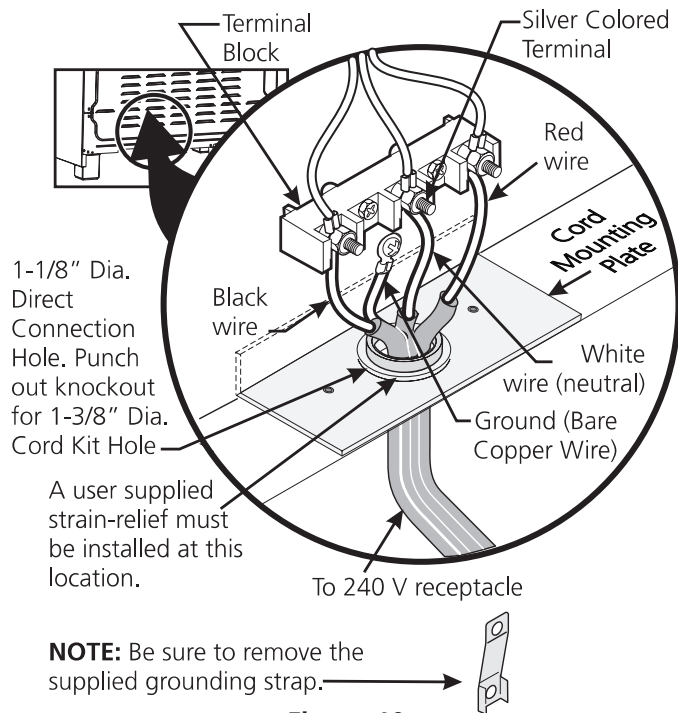


Figure 10

Four Conductor or Wire Connection to Range

6. Direct Electrical Connection to the Circuit Breaker, Fuse Box or Junction Box

If the appliance is connected directly to the circuit breaker, fuse box or junction box, use flexible, armored or non metallic sheathed copper cable (with grounding wire). Supply a U.L. listed strain-relief at each end of the cable. At the appliance end, the cable goes through the Direct Connection Hole (see Figure 10) on the Cord Mounting Plate. Wire sizes (**copper wire only**) and connections must conform to the rating of the appliance.

⚠ WARNING You may not ground the oven through the neutral (white) wire if oven is used in a new branch circuit installation (1996 NEC), mobile home, recreational vehicle, or where local codes do not permit grounding through the neutral (white) wire. When grounding through the neutral (white) wire is prohibited, you must use a 4-wire power supply cable. See Section 6B. Failure to heed this warning may result in electrocution or other serious personal injury.

6.A Three Conductor Wire Connection to the Junction Box

Where local codes permit connecting the appliance cable ground wire to the power supply cable neutral (white) wire (see Figure 11).

1. Disconnect the power supply.
2. In the circuit breaker, fuse box or junction box: Connect appliance and power supply cable wires as shown in figure 11.

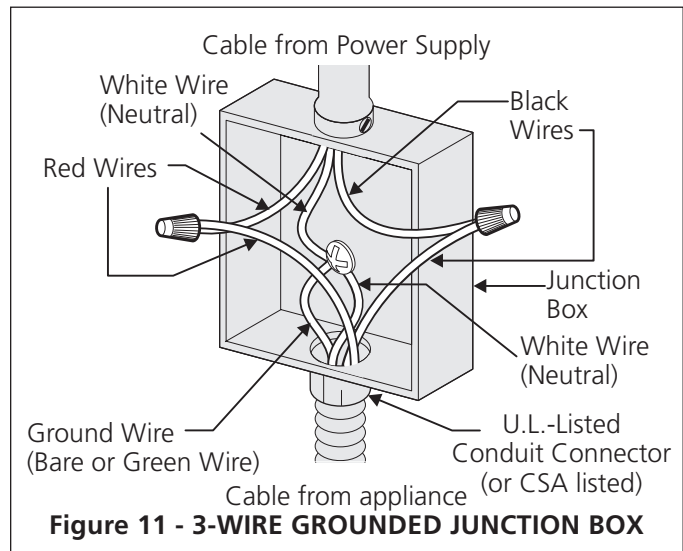


Figure 11 - 3-WIRE GROUNDED JUNCTION BOX

⚠ WARNING Improper connection of aluminum house wiring to copper leads can result in a short circuit or fire. Use only connectors designed for joining copper to aluminum, and follow the manufacturer's recommended procedure closely.

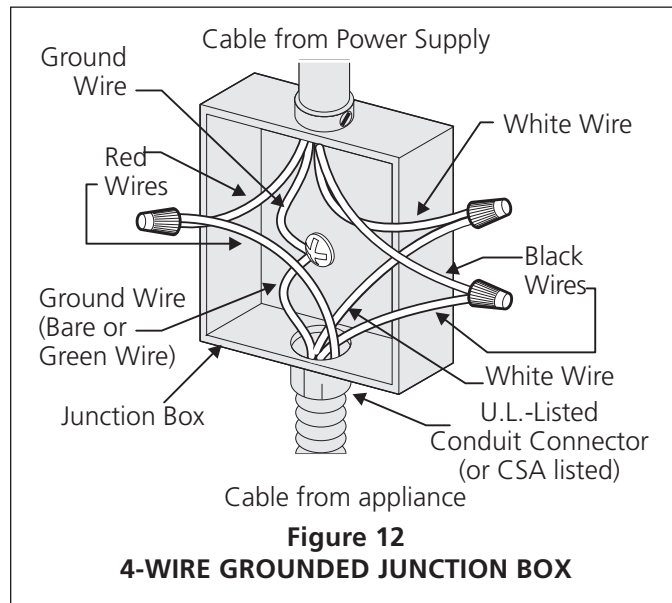
30" & 36" DUAL FUEL RANGE INSTALLATION INSTRUCTIONS

(Model with Electric Oven and Gas Cooktop)

6.B Four Conductor Wire Connection to the Junction Box

If oven is used in a new branch circuit installation (1996 NEC), mobile home, recreational vehicle, or where local codes DO NOT permit connecting the appliance cable ground wire to the power supply cable neutral (white) wire you must use a 4 wire power supply cable (see figure 12):

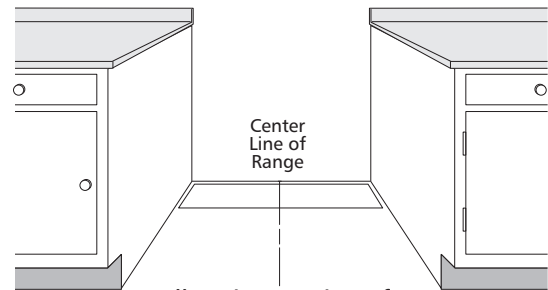
1. Disconnect the power supply.
2. In the circuit breaker, fuse box or junction box: Connect appliance and power supply cables as shown in figure 12.



DO NOT ground to a gas supply pipe. DO NOT connect to electrical power supply until appliance is permanently grounded. Connect the ground wire before turning on the power (Figure 12).

7. Range Placement

CAUTION To eliminate the risk of burns or fire from reaching over heated surface units, cabinet storage space located above the range should be avoided. If cabinet storage space is to be provided, the risk can be reduced by installing a range hood that projects horizontally a minimum of 5" (12.7 cm) beyond the bottom of the cabinet.



Follow instructions for the type of installation you have

Figure 13

If range will be installed with a cabinet on both sides, draw a center line on the floor between the cabinets (see figure 13). **If back of range will not be flush with the wall** (the location of the outlet may not allow the range to be positioned against the wall), draw a line on the floor where the back edge of the range will be. Now install anti-tip bracket (see "Anti-Tip Bracket Installation", page 12).

If range will be installed with a cabinet on one side only, move the range into final position. Draw a line on the floor along the side of the range that is not against the cabinet. **If back of range will not be flush with the wall** (the location of the outlet may not allow the range to be positioned against the wall), draw a line on the floor where the back edge of the range will be. Now install anti-tip bracket (see "Anti-Tip Bracket Installation", page 12).

If range will not be installed against a cabinet, move range into final position. Draw a line on the floor along both sides of the range. **If back of range will not be flush with the wall** (the location of the outlet may not allow the range to be positioned against the wall), draw a line on the floor where the back edge of the range will be. Now install anti-tip bracket (see "Anti-Tip Bracket Installation", page 12).

30" & 36" DUAL FUEL RANGE INSTALLATION INSTRUCTIONS

(Model with Electric Oven and Gas Cooktop)

8. Gas Supply Installation

When shipped from the factory, this unit is designed to operate on 4" (10,16 cm) water column (1.0 kPa) Natural gas manifold pressure. A convertible pressure regulator is connected to the range manifold and **MUST** be connected in series with the gas supply line. The regulator is located as shown on figure 2 and it is accessible from front of the range.

For proper operation, the maximum inlet pressure to the regulator should be no more than 14" (35,56 cm) of water column pressure (3.5 kPa).

The inlet pressure to the regulator must be at least 1" (.25 kPa) greater than the regulator manifold pressure setting. The regulator is set for 4" (10,16 cm) water column (1.0 kPa) Natural gas manifold pressure; the inlet pressure must be at least 5" (12.60 cm) water column (1.25 kPa) Natural gas. For LP/Propane gas, the regulator must be set for 10" (25,4 cm) water column (2.5 kPa) manifold pressure; the inlet pressure must be at least 11" (27,9 cm) water column (2.75 kPa).

The supply line should be equipped with an approved shutoff valve (see Figure 15). This valve should be located in the same room as the range and should be in a location that allows ease of opening and closing. Do not block access to the shutoff valve. The valve is for turning on or shutting off gas to the appliance. Open the shutoff valve in the gas supply line. Wait a few minutes for gas to move through the gas line.

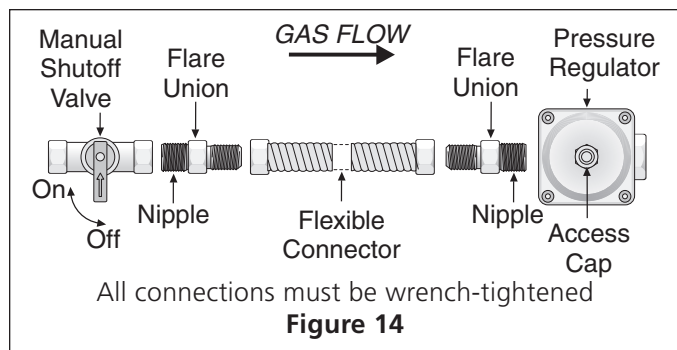
The gas supply between the shutoff valve and the regulator may be connected by rigid piping or by A.G.A./C.G.A.- approved flexible metallic union-connected piping where local codes permit use.

The gas supply piping can be through the side wall of the right cabinet. The right side cabinet is an ideal location for the main shutoff valve, if the range is installed within cabinet storage space

Connection to Pressure Regulator

The regulator is already installed on the appliance.

CAUTION Do not make the connection too tight. The regulator is die cast. Overtightening may crack the regulator resulting in a gas leak and possible fire or explosion.



Assemble the flexible connector from the gas supply pipe to the pressure regulator in the following order:

1. Manual shutoff valve (not supplied)
2. 1/2" nipple (not supplied)
3. 1/2" flare union adapter (not supplied)
4. Flexible connector (not supplied)
5. 1/2" flare union adapter (not supplied)
6. 1/2" nipple (not supplied)
7. Pressure regulator (supplied)

The gas supply line to the shutoff valve should be 1/2" (1,27 cm) or 3/4" (1.9 cm) solid pipe.

The user must know the location of the main shutoff valve and have easy access to it.

When using flexible gas conduit on the range, allow sufficient slack to pull the range outside the cutout for cleaning or servicing.

NOTE: Do not allow the flexible conduit to get pinched between the wall and the range.

Use pipe-joint compound made for use with Natural and LP/Propane gas to seal all gas connections. If flexible connectors are used, be certain connectors are not kinked.

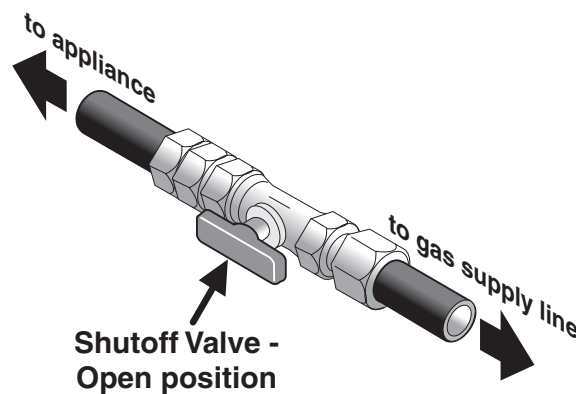


Figure 15

The supply line must be equipped with an approved manual shutoff valve. This valve should be located in the same room as the range and should be in a location that allows ease of opening and closing. Do not block access to the shutoff valve. The valve is for turning on or shutting off gas to the appliance.

Once regulator is in place, open the shutoff valve in the gas supply line. Wait a few minutes for gas to move through the gas line.

Check for leaks. After connecting the range to the gas supply, check the system for leaks with a manometer. If a manometer is not available, turn on the gas supply and use a liquid leak detector (or soap and water) at all joints and connections to check for leaks. Leaks will be indicated by bubbles appearing at the connections or joints.

30" & 36" DUAL FUEL RANGE INSTALLATION INSTRUCTIONS

(Model with Electric Oven and Gas Cooktop)

⚠ WARNING Do not use a flame to check for leaks from gas connections. Checking for leaks with a flame may result in a fire or explosion.

All openings in the wall or floor where the range is to be installed must be sealed.

Tighten all connections if necessary to prevent gas leakage in the cooktop or supply line.

Disconnect this range and its individual shutoff valve from the gas supply piping system during any pressure testing of the system at test pressures greater than 1/2 psig (3.5 kPa or 14" (35,56 cm) water column).

Isolate the range from the gas supply piping system by closing its individual manual shutoff valve during any pressure testing of the gas supply piping system at test pressures equal to or less than 1/2 psig (3.5 kPa or 14" (35,56 cm) water column).

9. LP/Propane Gas Conversion

This appliance can be used with Natural gas or LP/Propane gas. It is shipped from the factory for use with natural gas.

If you wish to convert your range for use with LP/Propane gas, use the supplied fixed orifices located in a bag containing the literature marked "FOR LP/PROPANE GAS CONVERSION." Follow the instructions packaged with the orifices.

The conversion must be performed by a qualified service technician in accordance with the manufacturer's instructions and all local codes and requirements. Failure to follow these instructions could result in serious injury or property damage. The qualified agency performing this work assumes responsibility for the conversion.

⚠ WARNING Failure to make the appropriate conversion can result in personal injury and property damage.

10. Moving the Appliance for Servicing and Cleaning

Turn off the range line fuse or circuit breakers at the main power source, and turn off the manual gas shut-off valve. Make sure the range is cold. Open the oven door. Lift the range at the front and slide it out of the cut-out opening without creating undue strain on the flexible gas conduit. Make sure not to pinch the flexible gas conduit at the back of the range when replacing the unit into the cut-out opening. Close the door and switch on

11. Range Installation

1. The back of the range may be installed directly against the wall.
2. To reduce possible scorching of vertical walls and to minimize potential fire hazards under abnormal surface unit use conditions such as high heat or no pans and to conform to Agency requirements:
 - For 30" Range, a minimum of 7" (17.8 cm) spacing should be provided on both sides of the cooktop.
 - For 36" Range, a minimum of 9" (22.9 cm) spacing should be provided on both sides of the cooktop.

⚠ WARNING

Excessive Weight Hazard

- Use 2 or more people to move and install range.
- Failure to follow this instruction can result in back or other injury.

11.1 Leveling the Range

1. Install an oven rack in the center of the oven.
2. Place a level on the rack (see Figure 16). Take 2 readings with the level placed diagonally in one direction and then the other. Level the range, if necessary, by adjusting the 4 leveling legs with a wrench (see Figure 21).
3. Slide the range to its final position and double check for levelness. If the range is not level, pull unit out and readjust leveling legs, or make sure floor is level.

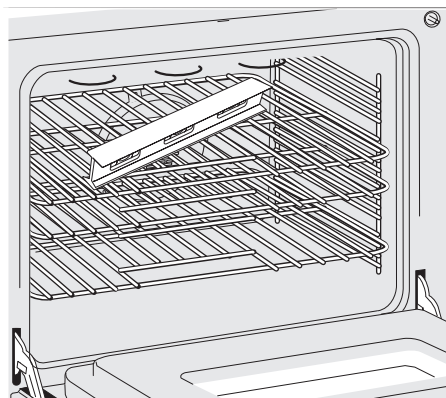


Figure 16

30" & 36" DUAL FUEL RANGE INSTALLATION INSTRUCTIONS

(Model with Electric Oven and Gas Cooktop)

11.2 Check Operation

Refer to the Use and Care Guide and the Electronic Oven Control Guide packaged with the range for operating instructions and for care and cleaning of your range.

Remove all packaging from the oven before testing.

1. Burner Bases and Burner Caps

This range is equipped with sealed burners as shown (Figure 17). All pieces are at their place. Take note where they are. **Remove all packaging material located under the Dual Surface burner head.** Make sure the burner is properly aligned and leveled. **NOTE:** There are no burner adjustments necessary on this range.

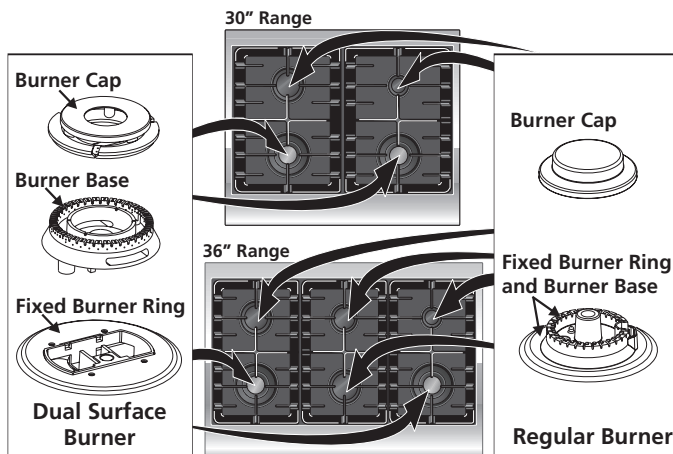


Figure 17

2. Turn on Electrical Power and Open Main Shutoff Gas Valve

3. Check the Igniters

Operation of electric igniters should be checked after range and supply line connectors have been carefully checked for leaks and range has been connected to electric power. To check for proper lighting:

- Push in and turn a surface burner knob to the LITE position. All electronic surface igniters will spark at the same time. However, only the burner you are turning on will ignite.
- The surface burner should light once the flow of gas reached the surface burner. Each burner should light within four (4) seconds in normal operation after air has been purged from supply lines. Visually check that burner has lit.
- Once the burner lights, the control knob should be rotated out of the LITE position.

There are separate ignition devices for each burner. Try each knob separately until all burner valves have been checked.

4. Adjust the "LOW" Setting of Regular Burner (see figure 17) on the Surface Burner Valves (Figure 18):

- Push in and turn control to LITE until burner ignites.
- Quickly** turn knob to LOWEST POSITION.
- If burner goes out, reset control to OFF.
- Remove the surface burner control knob and decorative ring.
- Insert a thin-bladed screwdriver into the hollow valve stem and engage the slotted screw inside. Flame size can be increased or decreased by turning the screw. Turn counterclockwise to increase flame size. Turn clockwise to decrease flame size. Adjust flame until you can quickly turn knob from LITE to LOWEST POSITION without extinguishing the flame. Flame should be as small as possible without going out.

Note: Air mixture adjustment is not required on surface burners.

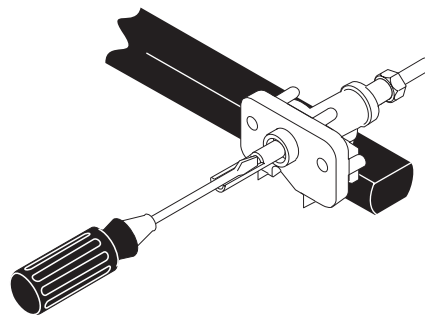


Figure 18

30" & 36" DUAL FUEL RANGE INSTALLATION INSTRUCTIONS

(Model with Electric Oven and Gas Cooktop)

5. Adjust the "LOW" Setting of the Dual Burner (see Figure 17) on the Surface Burner Valve (Figure 19):

Note: On the dual valve the low setting of each portion (rear portion of bridge burner and the center portion of bridge burner) should be adjusted individually.

- Push in and turn control to LITE until the rear portion of the bridge burner ignites only.
- Quickly** turn knob to LOWEST POSITION.
- If burner goes out, reset control to OFF.
- Remove the surface burner control knob.
- The inner portion of the dual burner flame size can be increased or decreased by turning screw **A** (see Figure 19). Use screw **B** to adjust the flame size of the outer portion of the dual burner. Turn counterclockwise the screw to increase flame size. Turn clockwise the screw to decrease flame size. Adjust flame until you can quickly turn knob from LITE to LOWEST POSITION without extinguishing the flame. Flame should be as small as possible without going out.

Note: Air mixture adjustment is not required on surface burners.

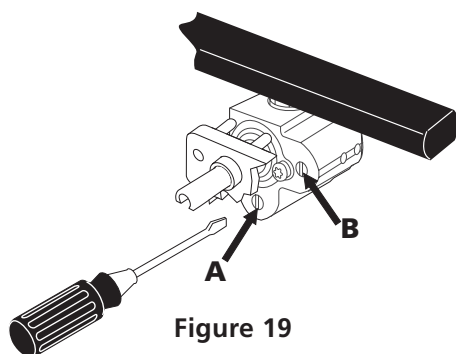


Figure 19

6. Operation of Oven Elements

The oven is equipped with an electronic oven control. Each of the functions has been factory checked before shipping. However, it is suggested that you verify the operation of the electronic oven controls once more. Refer to the Use and Care Guide for operation. Follow the instructions for the Clock, Timer, Bake, Broil, Convection (some models) and Clean (some models) functions.

CAUTION When checking oven element operation, do not touch the elements. They will be hot enough to cause serious burns.

Bake—Verify that this function makes the oven hot. 20 seconds after turning oven on, open the door and you should feel heat coming from the oven.

Broil—When the oven is set to BROIL, the upper element in the oven should become red.

Convection—When the oven is set for convection baking or roasting the convection fan will run. The convection fan will stop running when the oven door is opened.

When All Hookups are Complete

Make sure all controls are left in the OFF position.

Before You Call for Service

Read the Before You Call for Service Checklist and operating instructions in your **Use and Care Guide**. It may save you time and expense. The list includes common occurrences that are not the result of defective workmanship or materials in this appliance.

Refer to your **Use and Care Guide** for Electrolux Service phone numbers, or call **1-877-4ELECTROLUX (1-877-435-3287)**.

30" & 36" DUAL FUEL RANGE INSTALLATION INSTRUCTIONS

(Model with Electric Oven and Gas Cooktop)

Important Safety Warning

To reduce the risk of tipping of the range, the range must be secured to the floor by the properly installed anti-tip bracket and screws packed with the range. These parts are located in a plastic bag in the oven. 30" Range has one bracket and the 36" two. Failure to install the bracket will allow the range to tip over if excessive weight is placed on an open door or if a child climbs upon it. Serious injury might result from spilled hot liquids or from the range itself.

Follow the instructions below to install the anti-tip bracket.

If range is ever moved to a different location, the anti-tip bracket must also be moved and installed with the range.

Tools Required:

- 5/16" (8 mm) Nut driver or Flat Head Screwdriver
- Adjustable Wrench
- Electric Drill
- 3/16" (4.8 mm) Diameter Drill Bit
- 3/16" (4.8 mm) Diameter Masonry Drill Bit (if installing in concrete)

Anti-Tip Bracket Installation

1. The anti-tip bracket must be install on the right **or** the left side at back of the 30" range and on the right **and** left side at back of the 36" range.
2. The anti-tip bracket supports are attached to the floor at the back. When fastening to the floor, be sure that screws do not penetrate electrical wiring or plumbing. The screws provided will work in either wood or concrete.
3. Unfold paper template and place it flat on the floor with the back and side edges positioned exactly where the back and sides of range will be located when

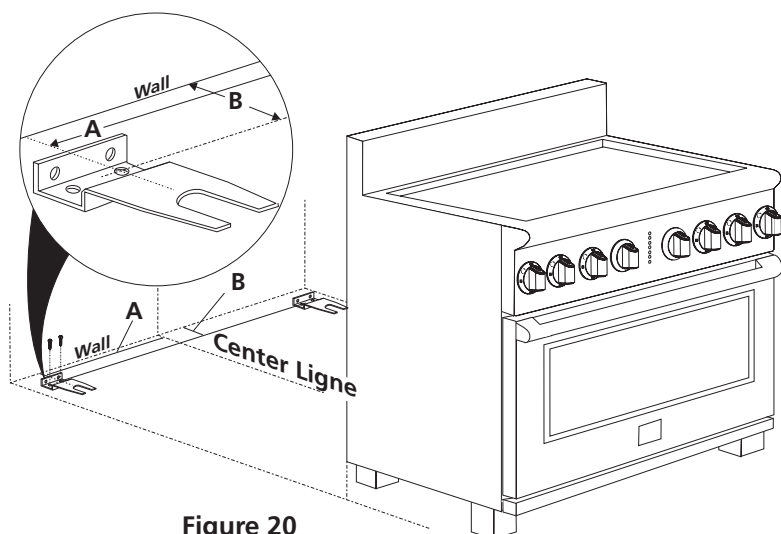


Figure 20

30" range: Install the anti-tip bracket on the right **or** left side
36" range: Install the anti-tip bracket on the right **and** left side

installed. (Use the diagram in figure 20 to locate bracket if template is not available.)

4. Mark on the floor the location of the mounting holes shown on the template (right and left position). For easier installation, 3/16" (4.8 mm) diameter pilot holes 1/2" (1.3 cm) deep can be drilled into the floor.
5. Remove template and place bracket on floor (see figure 20). Line up holes in bracket with marks on floor and attach the bracket using the screws provided. Brackets must be secured to solid floor. If attaching to concrete floor, first drill 3/16" (4.8 mm) dia. pilot holes using a masonry drill bit.
6. Level range if necessary, by adjusting the 4 leveling legs with an adjustable wrench. Loosen the screw which fixes the decorative leg and lift it to reach the leveling leg. Turn the leveling leg counterclockwise to raise the range or clockwise to lower the range (see Figure 21). Replace the decorative legs at your convenience.
7. Before sliding the range to its final position; take note of the serial and model numbers for future reference. Slide range into place making sure rear leg is trapped by the bracket. Range may need to be shifted slightly to one side as it is being pushed back to allow rear leg to align with bracket.
8. After installation, visually verify that the anti-tip brackets are engaged.

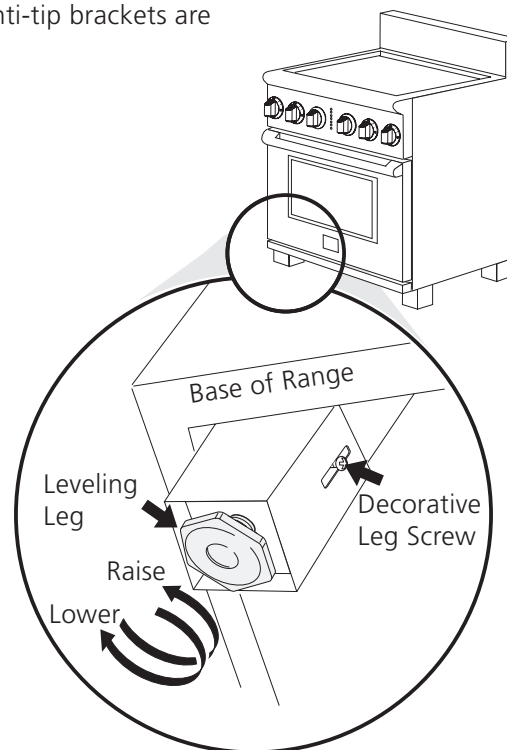


Figure 21

	A	B
30" Range	11 5/16 (28.7 cm)	2 1/2 (6.4 cm)
36" Range	14 5/16 (36.4 cm)	1 5/8 (4.1 cm)

INSTRUCCIONES DE INSTALACIÓN PARA LA ESTUFA DE ALIMENTACIÓN MIXTA

(Para Modelos con un Horno Eléctrico y una Estufa a Gas)

LA INSTALACIÓN Y EL SERVICIO DEBEN SER EFECTUADOS POR UN INSTALADOR CALIFICADO. **IMPORTANTE: GUARDE ESTAS INSTRUCCIONES PARA USO DEL INSPECTOR LOCAL DE ELECTRICIDAD. LEA Y GUARDE ESTAS INSTRUCCIONES PARA REFERENCIA FUTURA. OBSERVE CÓDIGOS GOBERNANTES Y ORDENANZAS.**

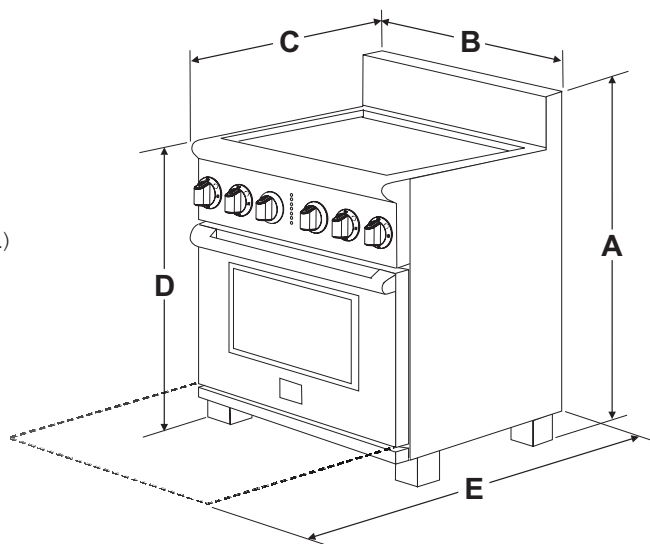
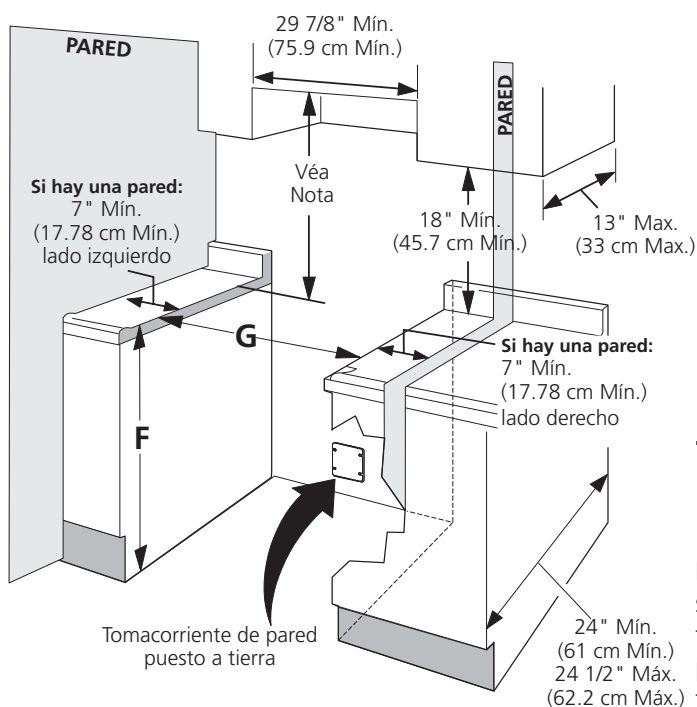


⚠️ ADVERTENCIA Si la información contenida en este manual no es seguida exactamente, puede ocurrir un incendio o explosión causando daños materiales, lesión personal o la muerte.

PARA SU SEGURIDAD:

- No almacene ni utilice gasolina u otros vapores y líquidos inflamables en la proximidad de éste o de cualquier otro electrodoméstico.
- **QUE DEBE HACER SI PERCIBE UN OLOR A GAS:**
 - No trate de encender ningún electrodoméstico.
 - No toque ningún interruptor eléctrico; no use ningún teléfono en su edificio.
 - Llame a su proveedor de gas desde el teléfono de un vecino. Siga las instrucciones del proveedor de gas.
 - Si no logra comunicarse con su proveedor de gas, llame al departamento de bomberos.
- La instalación y el servicio de mantenimiento deben ser efectuados por un instalador calificado, la agencia de servicio o el proveedor de gas.

Nota: Para electrodomésticos instalados en el estado de Massachussets. Vea página 15.



NOTA: Un espacio mínimo de 24" (61 cm) entre la superficie de la estufa y el fondo del armario cuando el fondo del armario de madera o metal está protegido por no menos de 1/4" (0.64 cm) de madera resistente al fuego cubierta por una lámina metálica de MSG, número 28, 0.015" (0.4 mm) de acero inoxidable, 0.024" (0.6 mm) de aluminio, o 0.02" (0.5 mm) de cobre. Un espacio mínimo de 30" (76.2 cm) cuando el armario no está protegido.

No pellizque el cordón eléctrico entre la estufa y la pared.

No selle la estufa a los armarios laterales.

Figura 1 - Estufa de 30" (para la estufa de 36", véase la página 14)

A. ALTURA	B. ANCHO	C. PROFUNDIDAD AL FRENTE DE LA ESTUFA	D. ALTURA DE LA CUBIERTA	E. PROFUNDIDAD CON PUERTA ABIERTA	F. ALTURA DE MOSTRADOR	G. ANCHO MÍNIMO PARA LA ABERTURA
41 5/8" (105.7 cm) Min. 42 5/8" (108.3 cm) Max.	29 7/8" (75.9 cm)	27 1/2" (69.9 cm)	35 3/4" (90.8 cm) Min. 36 3/4" (93.3 cm) Max.	45 1/2" (115.6 cm)	36" (91.4 cm) Standard 35 3/4" (90.8 cm) Min.	30 1/16" (76.4 cm)

El diagrama del cableado de este modelo está incluido en esta manual (vea la página 36)

P/N 318201773 (0809) Rev. B

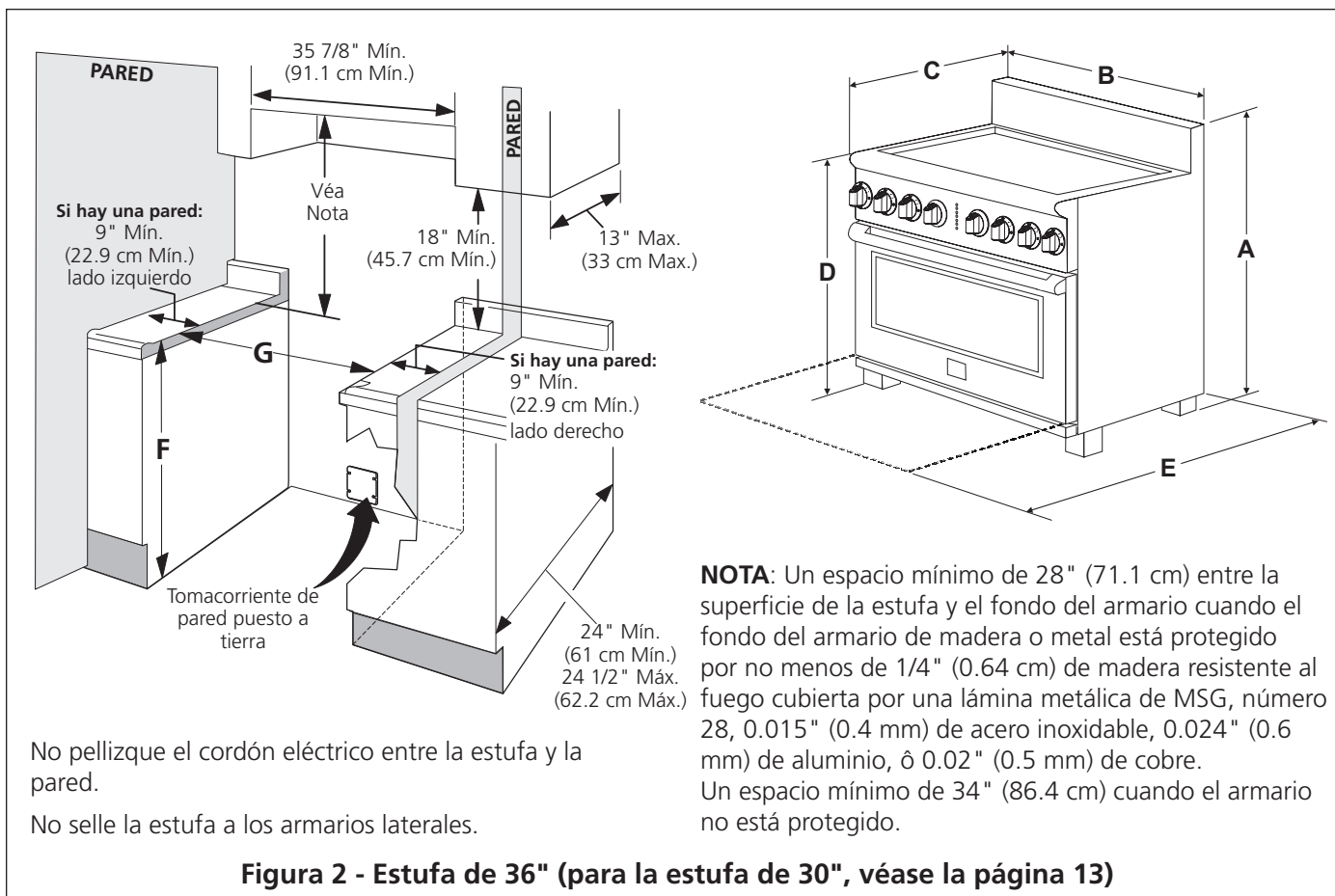
Impreso en los Estados Unidos

English - pages 1-12; Español - páginas 13-24

Français - pages 25-36; Diagrama de la instalación alámbrica - página 36

INSTRUCCIONES DE INSTALACIÓN PARA LA ESTUFA DE ALIMENTACIÓN MIXTA

(Para Modelos con un Horno Eléctrico y una Estufa a Gas)



NOTA: Un espacio mínimo de 28" (71.1 cm) entre la superficie de la estufa y el fondo del armario cuando el fondo del armario de madera o metal está protegido por no menos de 1/4" (0.64 cm) de madera resistente al fuego cubierta por una lámina metálica de MSG, número 28, 0.015" (0.4 mm) de acero inoxidable, 0.024" (0.6 mm) de aluminio, ó 0.02" (0.5 mm) de cobre.
Un espacio mínimo de 34" (86.4 cm) cuando el armario no está protegido.

No pellizque el cordón eléctrico entre la estufa y la pared.
No selle la estufa a los armarios laterales.

A. ALTURA	B. ANCHO	C. PROFUNDIDAD AL FRENTE DE LA ESTUFA	D. ALTURA DE LA CUBIERTA	E. PROFUNDIDAD CON PUERTA ABIERTA	F. ALTURA DE MOSTRADOR	G. ANCHO MÍNIMO PARA LA ABERTURA
41 5/8" (105.7 cm) Min. 42 5/8" (108.3 cm) Max.	35 7/8" (91.2 cm)	27 1/2" (69.9 cm)	35 3/4" (90.8 cm) Min. 36 3/4" (93.3 cm) Max.	47 3/8" (120.3 cm)	36" (91.4 cm) Standard 35 3/4" (90.8 cm) Min.	36 1/16" (91.6 cm)

Notas importantes para el Instalador

1. Lea todas las instrucciones contenidas en este manual antes de instalar la estufa.
2. Saque todo el material usado en el empaque del compartimiento del horno antes de conectar el suministro eléctrico a la estufa.
3. Observe todos los códigos y reglamentos pertinentes.
4. Deje estas instrucciones con el comprador.
5. Nota: Para el correcto funcionamiento en lugares superiores a los 2000 ft, el régimen del mecanismo debe reducirse un 4% por cada 1000 ft sobre el nivel del mar.

Nota Importante para el Consumidor

Conserve estas instrucciones y el Manual del Usuario para referencia futura.

Artículos Disponibles Opcionales:

- Un corte de Cooktop, si se desea quitar la Salpicadera trasera de Acero Inoxidable que sobresale 6".
 - Una Salpicadera trasera de Acero Inoxidable de 9" (22.9cm).
 - Una Salpicadera trasera de Acero Inoxidable de 12" (30.5cm)
- Estos juegos se pueden ordenar para comprar mediante Service Center 1-877-4ELECTROLUX (1-877-435-3287).

IMPORTANTES INSTRUCCIONES DE SEGURIDAD

Instalación de esta estufa debe cumplir con todos los códigos locales, o en ausencia de códigos locales con el Código Nacional de Gas Combustible ANSI Z223.1—última edición.

La instalación de aparatos diseñados para instalación en casas prefabricadas (móviles) debe conformar con el Manufactured Home Construction and Safety Standard, título 24CFR, parte 3280 [Anteriormente el Federal Standard for Mobil Home Construction and Safety, título 24, HUD (parte 280)] o cuando tal estándar no se aplica, el Standard for Manufactured Home Installation 1982 (Manufactured Home sites, Communities and Setups), ANSI Z225.1/NFPA 501A-edición más reciente, o con los códigos locales.

Esta estufa ha sido diseñada y certificada por el organismo CSA Internacional. Como en cualquier electrodoméstico donde se use gas y se genere cierto calor, existen diversas precauciones de seguridad que deben ser seguidas. Usted encontrará esta lista de precauciones en el manual de Uso y Cuidado, por favor léalas cuidadosamente.

INSTRUCCIONES DE INSTALACIÓN PARA LA ESTUFA DE ALIMENTACIÓN MIXTA

(Para Modelos con un Horno Eléctrico y una Estufa a Gas)

- Asegúrese de que la estufa sea instalada y conectada a tierra en forma apropiada por un instalador calificado o por un técnico.
- Esta estufa debe ser eléctricamente puesta a tierra de acuerdo con los códigos locales, o en su ausencia, con el Código Eléctrico Nacional ANSI/NFPA No. 70, última edición.
- Asegúrese de que el material que recubre las paredes alrededor de la estufa, pueda resistir el calor generado por la estufa.

⚠ ADVERTENCIA

- Todas las estufas pueden volcarse.
- Esto podría resultar en lesiones personales.
- Instale el dispositivo antivuelco provisto con esta estufa.

Para reducir el riesgo de que se vuelque la estufa, hay que asegurarla adecuadamente colocando los soportes antivuelco que se proporcionan. Para comprobar si estos están instalados y apretados correctamente, tome el borde trasero superior de la estufa y cuidadosamente inclínela hacia adelante para asegurarse que la estufa esté anclada.



- **Antes de instalar la estufa en un área cuyo piso este recubierto con linóleo u otro tipo de piso sintético, asegúrese de que éstos puedan resistir una temperatura de por lo menos 90°F sobre la temperatura ambiental sin provocar encogimiento, deformación o decoloración.** No instale la estufa sobre una alfombra al menos que coloque una plancha de material aislante de por lo menos 1/4 pulgada, entre la estufa y la alfombra.
- **No obstruya el flujo del aire de combustión en la ventilación del horno ni tampoco alrededor de la base o debajo del panel inferior delantero de la estufa.** Evite tocar las aberturas o áreas cercanas de la ventilación, ya que pueden estar muy calientes durante el funcionamiento del horno. La estufa requiere aire fresco para la combustión apropiada de los quemadores.

⚠ ADVERTENCIA Nunca deje niños solos o desatendidos en un área donde un electrodoméstico está siendo usado. A medida que los niños crecen, enséñeles el uso apropiado y seguro para todos los electrodomésticos. Nunca deje la puerta del horno abierta cuando la estufa está desatendida.

⚠ ADVERTENCIA No se pare, apoye o siente en las puertas o cajones de esta estufa pues puede resultar en serias lesiones y puede también causar daño a la estufa.

- **No almacene artículos que puedan interesar a los niños en los gabinetes sobre la estufa.** Los niños pueden quemarse seriamente tratando de trepar a la estufa para alcanzar estos artículos.
- **Los gabinetes de almacenamiento sobre la estufa deben evitarse, para eliminar la necesidad de**

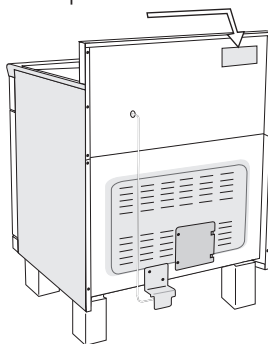
tener que pasar sobre los elementos superiores de la estufa para llegar a ellos.

- **Ajuste el tamaño de la llama de los quemadores superiores de tal manera que ésta no sobrepase el borde de los utensilios de cocinar.** La llama excesiva es peligrosa.
- **No use el horno como espacio de almacenaje.** Esto creará una situación potencialmente peligrosa.
- **Nunca use la estufa para calentar el cuarto.** El uso prolongado de la estufa sin la adecuada ventilación puede resultar peligroso.
- **No almacene ni utilice gasolina u otros vapores y líquidos inflamables en la proximidad de éste o de cualquier otro electrodoméstico eléctrico.** Puede provocar incendio o explosión.
- En caso de una interrupción del servicio eléctrico, es posible de encender los quemadores de superficie a mano. Para encender un quemador de superficie, acerque un fósforo encendido a la cabezal del quemador, y gire rápidamente el botón de control de superficie a **Med**. Tenga cuidado al encender los quemadores a mano.
- **Retire el sartén asador, alimentos o cualquier otro utensilio antes de ajustar un ciclo de auto-limpieza en el horno.** Limpie el exceso de derrames. Siga las instrucciones en manual de Uso y Cuidado.
- **A diferencia de otras cubiertas a gas, ESTA CUBIERTA no es removible.** No intente remover esta cubierta.

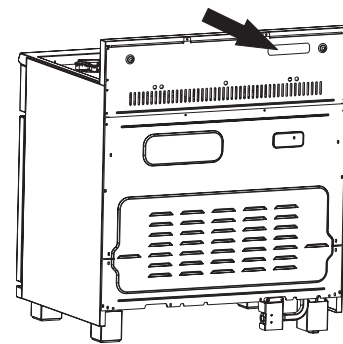
Instrucciones especiales para los electrodomésticos instalados en el estado de Massachussets: Este electrodoméstico puede ser solamente instalado en el estado de Massachussets por un plomero calificado o instalador de gas con licencia en el estado de Massachussets. Cuando se utilice un conector flexible de gas, éste no debe de exceder 3 pies (36 pulgadas) de largo. Una válvula manual de tipo "T" debe de instalarse en la línea de alimentación de gas hacia este electrodoméstico.

1. Ubicación del Número de Modelo y de Serie

La placa de serie se encuentra en la parte trasera de la estufa. Cuando haga pedidos de repuestos o solicite información con respecto a su estufa, esté siempre seguro de incluir el número de modelo y de serie y el número o letra del lote de la placa de serie de su estufa.



Estufa de 30"



Estufa de 36"

INSTRUCCIONES DE INSTALACIÓN PARA LA ESTUFA DE ALIMENTACIÓN MIXTA (Para Modelos con un Horno Eléctrico y una Estufa a Gas)

2. Cordón de fuente de energía conectado de fábrica (Canadá solamente)

Esta estufa viene de fábrica equipada con un cordón de fuente de energía (vea a la figura 3). El cordón debe de ser conectado a una toma de corriente a tierra de 120/240 voltios o de 120/208 voltios. Si no hay una toma de corriente a tierra en la habitación, debe de ser instalada por un técnico calificado.

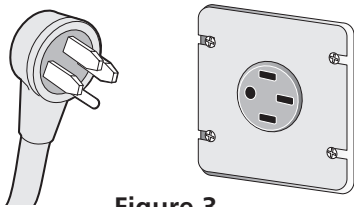


Figure 3

3. Localización del receptáculo o la caja de empalmes

La localización sugerida se muestra en la figura numero 4 para la estufa de 30" y en la figura numero 5 para la estufa de 36". También puede ser localizado en la esquina inferior izquierda del gabinete derecho adyacente. (ver Figura 6). Si se utiliza un cable de alimentación de servicio, el receptáculo de la pared debe de localizarse de acuerdo a las dimensiones.

4. Kit del Cable del suministro eléctrico o alimentación eléctrica (USA)

El usuario es responsable de conectar el cable del suministro eléctrico al bloque de conexión localizado detrás de la cubierta de acceso del panel trasero.

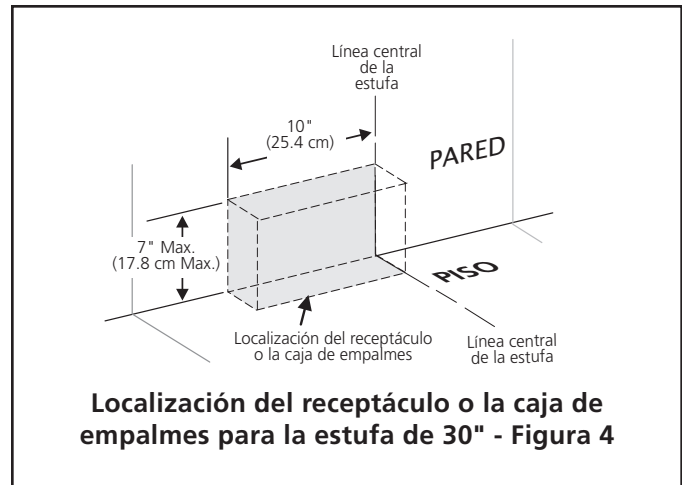
Este electrodoméstico puede conectarse por medio de un "cableado duro permanente" (cable de cobre blindado armado o no-metálico flexible), o por medio de un kit de cable de alimentación. Utilice solamente un kit de cable de alimentación clasificado en 125/250 voltios mínimo y marcado para el uso de estufas. El cable debe tener 3 o 4 conductores.

Las Terminales al final de los cables deben ser de del tipo "anillo" o "espadas", éstas últimas con la terminación del cable hacia dentro del barril de la Terminal". El cable debe tener un retenedor para eliminar esfuerzos sobre el cable."

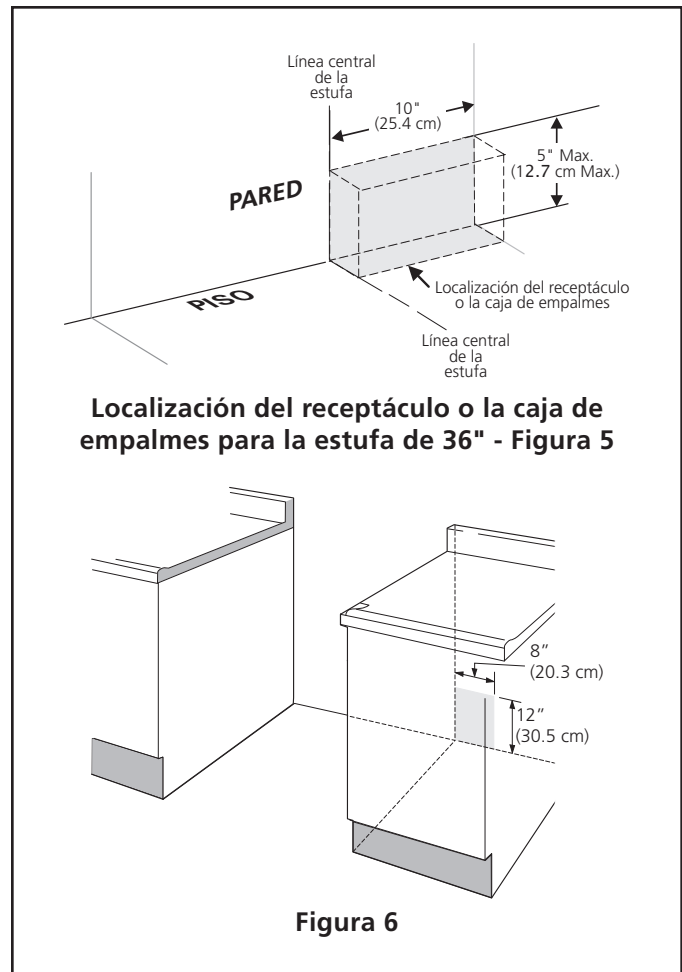
Un cable con 3 alambres* o un cable con 4 alambres monofásico 120/240 o 120/208 voltio, 60 hertzios, AC de alimentación eléctrica; se requiere en un circuito separado en ambos lados de la línea (se recomienda un fusible o un interruptor de retraso). **Evite** fundir al cable neutro. El tamaño del fusible no debe exceder el grado del circuito del electrodoméstico especificado en la placa de identificación.

Estufa de 30" y 36": Utilice un cordón de fuente de energía de 30 amperios.

- * Para los hogares móviles, nuevas instalaciones, los vehículos recreacionales, o las áreas donde los códigos locales no permiten una conexión a tierra a través de un cable neutro, un kit de cable de alimentación de 4 conductores clasificado en 125/250 voltios y marcado para el uso en estufas debe ser empleado (vea la figura 10).



Localización del receptáculo o la caja de empalmes para la estufa de 30" - Figura 4



Localización del receptáculo o la caja de empalmes para la estufa de 36" - Figura 5

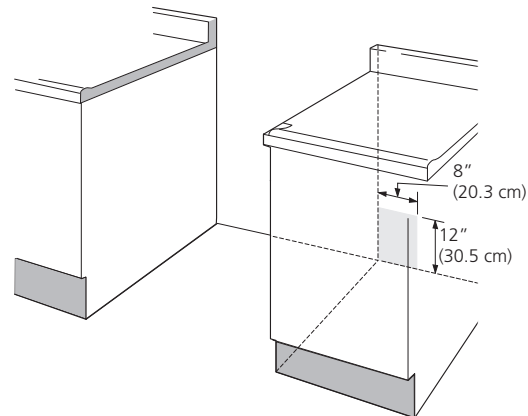


Figura 6

INSTRUCCIONES DE INSTALACIÓN PARA LA ESTUFA DE ALIMENTACIÓN MIXTA (Para Modelos con un Horno Eléctrico y una Estufa a Gas)

⚠️ ADVERTENCIA

Riesgo de Choque Eléctrico

- Se requiere una conexión a tierra en este electrodoméstico.
- No lo conecte a la corriente eléctrica hasta que el aparato haya sido puesto a tierra permanentemente.
- Desconecte la corriente eléctrica a la caja de empalmes antes de hacer la conexión eléctrica.
- Este electrodoméstico se debe conectar a un sistema aterrizado de cableado permanente y metálico, o bien un conector a tierra se deberá conectar a la Terminal aterrizada.

El no seguir cualquiera de las advertencias aquí mencionadas, podría resultar en un incendio, choque eléctrico o lesiones.

5. Conexión Eléctrica de la Estufa

Este aparato se fabrica con la terminal neutra conectada a la estufa.

⚠️ ADVERTENCIA No debe conectar a tierra el horno a través del cable neutral (blanco) si el horno es usado en una instalación de circuito de ramal nuevo (1996 NEC), en una casa rodante, en un vehículo para recreación o si los códigos locales no permiten la conexión a tierra a través del cable neutral (blanco). Si está prohibida la conexión a tierra a través del cable neutral (blanco), se debe usar un cable de alimentación de 4 hilos. Consulte Sección 5B. Si no se observa esta advertencia, esto puede resultar en electrocución o en otra lesión personal grave.

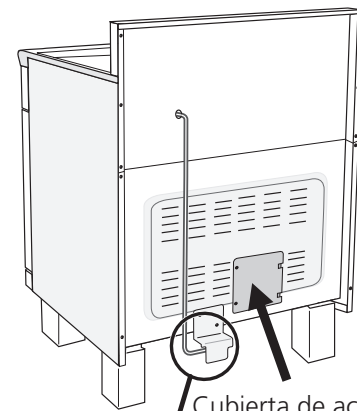
⚠️ PRECAUCION Mientras que conecte su estufa, no afloje las tuercas que aseguran el bloque de terminales a la estufa. Una avería eléctrica o bien la pérdida de la conexión eléctrica puede ocurrir.
Nota: Refiérase al diagrama eléctrico al final de este manual.

5.A Conexión de un cable de 3 alambres de conducción a la estufa

(Un cordón flexible o cable de 3 conductores debe de ser reemplazado con un cordón flexible o cable de 4 conductores donde la conexión del conductor a tierra al neutro esta prohibida en las nuevas instalaciones, las casas sobre ruedas, los vehículos de recreación o otras áreas donde los códigos locales no permiten la conexión a tierra al neutro.)

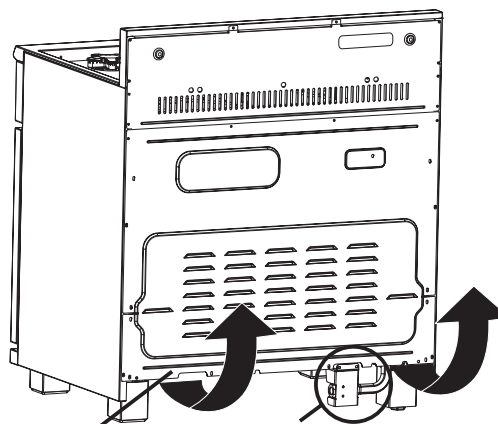
Si los códigos locales permiten la conexión del conductor de tierra del marco con el alambre neutro del cordón eléctrico de cobre (vea Figura 9):

1. Quite los tornillos en el extremo inferior del panel de acceso posterior, después levante el panel de acceso al bloque Terminal (vea figura 7 o 8).



Ubicación del regulador de presión
Cubierta de acceso al cable trasero

Figura 7 - Estufa de 30"



Panel de acceso al cable trasero
Ubicación del regulador de presión

Figura 8 - Estufa de 36"

⚠️ ADVERTENCIA Si se usa un calibre incorrecto en el kit del cable de alimentación, o las instrucciones de instalación no se siguen debidamente, o bien si se desecha el soporte del retenedor de cable el riesgo de un choque eléctrico o fuego incrementará.

2. Quite las tres tuercas sobre el bloque terminal usando un destornillador o una llave de 3/8" (0,95 cm).
3. Conecte el cable neutro del color blanco de cobre al terminal de color de plata en el centro del bloque, y conecte los otros cables a los terminales laterales. Empareje los alambres de la fuente de la terminal y de alimentación por color.
4. Instale las tres tuercas sobre el bloque terminal (vea Figura 9).
5. Substituya el panel de acceso del alambre usando los tornillos quitados en el paso 1.

INSTRUCCIONES DE INSTALACIÓN PARA LA ESTUFA DE ALIMENTACIÓN MIXTA (Para Modelos con un Horno Eléctrico y una Estufa a Gas)

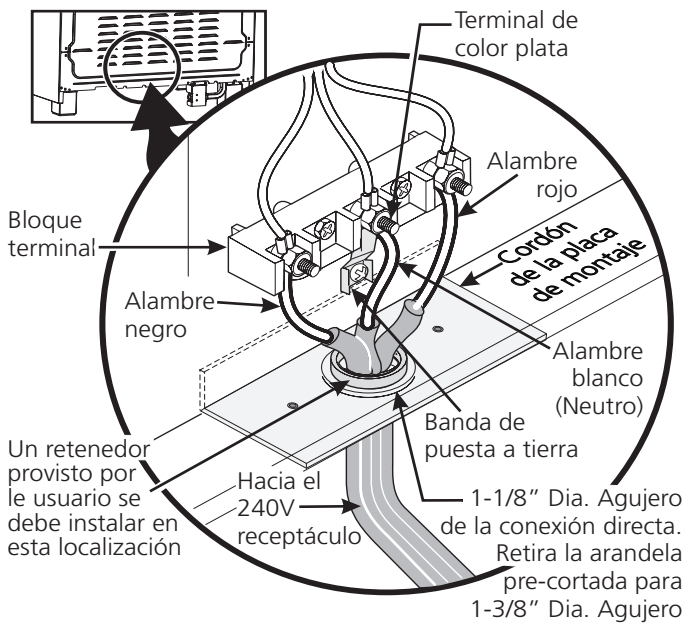
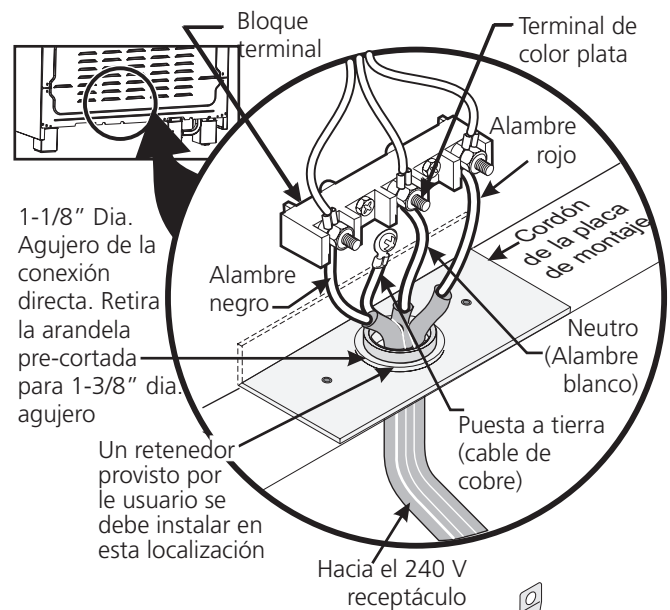


Figura 9



NOTA: Asegurese de quitar la banda de puesta a tierra provista.

Figura 10

5.B Conexión de 4 alambres de conducción a la estufa

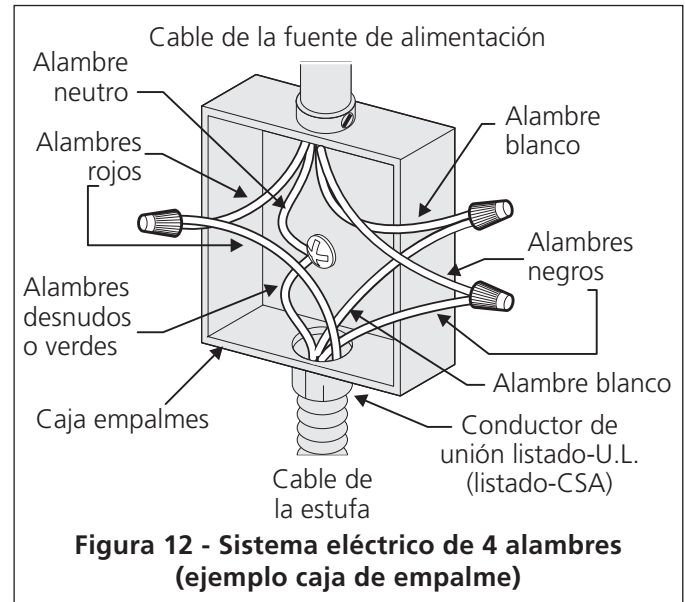
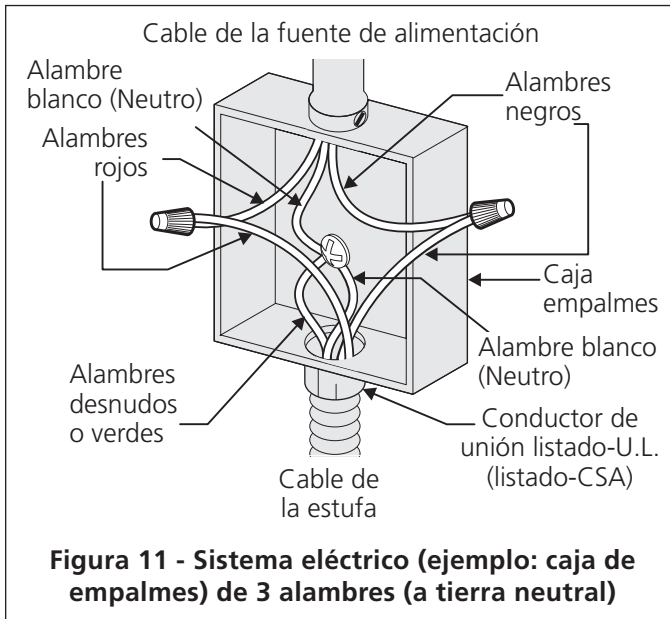
1. Quite los tornillos en el extremo inferior del panel de acceso posterior, después levante el panel de acceso al bloque Terminal (vea figura 7 o 8).
2. Retire las 3 tuercas sobre el bloque terminal usando un destornillador o llave de 3/8" pulgadas.
3. Quite la banda de conexión a tierra del bloque de terminales y del marco del electrodoméstico.
4. Conecte el alambre de tierra (verde) del cable de alimentación al marco del electrodoméstico con el tornillo de tierra, usando el agujero en el marco de donde el tornillo fue retirado (véase figura 10).
5. Conecte el alambre neutro (blanco) del cordón eléctrico de cobre al terminal de color de plata en el centro del bloque y conecte los otros alambres a los terminales laterales. Empareje los alambres de la fuente del terminal y de alimentación por color.
6. Reponga las 3 tuercas sobre el bloque terminal (vea figura 10).
7. Sustituya el panel de acceso del alambre usando los tornillos quitados en el paso 1.

6. Conexión eléctrica directa al cortacircuito, a la caja de fusibles o la caja de empalmes

Si el aparato está conectado directamente al cortacircuito, a la caja de fusibles o a la caja de empalmes, use un cable blindado flexible o no metálico recubierto de cobre (con alambre a tierra). A la extremidad del electrodoméstico, el cable paso a través del agujero de la conexión directa (vea figura 10) en el cable de la placa de montaje. El tamaño de los alambres (**alambre de cobre solamente**) y las conexiones deben estar conforme al régimen del electrodoméstico.

⚠ ADVERTENCIA No debe conectar a tierra el horno a través del cable neutral (blanco) si el horno es usado en una instalación de circuito de ramal nuevo (1996 NEC), en una casa rodante, en un vehículo para recreación o si los códigos locales no permiten la conexión a tierra a través del cable neutral (blanco). Si está prohibida la conexión a tierra a través del cable neutral (blanco), se debe usar un cable de alimentación de 4 hilos. Ver la Figura 12. Si no se observa esta advertencia, esto puede resultar en electrocución o en otra lesión personal grave.

INSTRUCCIONES DE INSTALACIÓN PARA LA ESTUFA DE ALIMENTACIÓN MIXTA (Para Modelos con un Horno Eléctrico y una Estufa a Gas)



6.A Conexión de 3 alambres de conducción a la caja de empalmes

Donde los códigos locales permitan la conexión el cable a tierra del electrodoméstico al cable de alimentación eléctrica neutro (blanco) Vea figura número 11.

1. Desconecte el suministro eléctrico.
2. En el cortacircuito, la caja de fusibles o la caja de empalmes:
Conecte el electrodoméstico y el cable de alimentación como se muestra en la figura numero 11.

⚠ ADVERTENCIA Una conexión incorrecta del alambrado de aluminio a los conductores de cobre puede resultar en un corto circuito o incendio. Use solamente los conectores diseñados para juntar el cobre con el aluminio y siga exactamente el procedimiento recomendado por el fabricante.

6.B Conexión de 4 alambres de conducción a la caja de empalmes

Si el horno se usa en una instalación de circuito de ramal nuevo (1996 NEC), en una casa rodante, en un vehículo para recreación o si los códigos locales NO permiten la conexión a tierra a través del cable neutro (blanco) (ver figura 12):

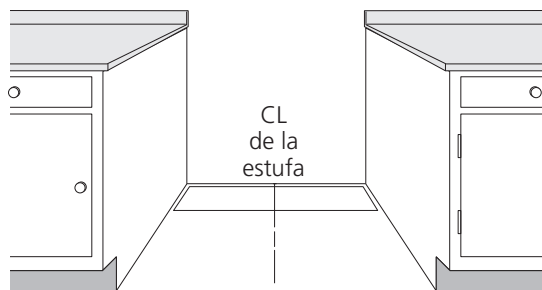
1. Desconecte el suministro eléctrico.
2. En el cortacircuito, la caja de fusibles o la caja de empalmes:
Conecte el electrodoméstico y el cable de alimentación como se muestra en la figura numero 12.

NO conecte el alambre puesto a tierra a una tubería de suministro de gas. NO conecte el suministro de energía eléctrica hasta que el electrodoméstico haya sido permanentemente puesto a tierra. Conecte el alambre de puesto a tierra antes de enchufar por primera vez el electrodoméstico.

INSTRUCCIONES DE INSTALACIÓN PARA LA ESTUFA DE ALIMENTACIÓN MIXTA (Para Modelos con un Horno Eléctrico y una Estufa a Gas)

7. Estufa - Colocación

⚠ PRECAUCION Para eliminar el riesgo de quemaduras o fuego por el contacto de superficies sobrecalentadas, cualquier espacio de almacenaje en los gabinetes situados sobre la estufa debe ser evitado. Si un espacio de almacenaje debe de ser proporcionado, el riesgo puede ser reducido instalando una campana de estufa que proyecte horizontalmente e un mínimo de el 5" (12.7 centímetros).



Siga las instrucciones para el tipo de instalación que usted tenga

Figura 13

Si la estufa se va a instalar con armarios laterales, marque el centro de la abertura del armario en el piso (ver la figura 13). **Si la parte trasera de la estufa no estará a ras con la pared** (la ubicación del tomacorriente puede que no permita que la estufa se pegue a ras con la pared), marque el piso donde estará el borde trasero de la estufa. Ponga el patrón en el piso, alineando la línea del centro del patrón con la marca en el centro de la abertura del armario. Ponga el borde trasero del patrón a ras contra la pared trasera o la línea marcada para la parte de atrás de la estufa.

Si la estufa se va a instalar con un armario en un sólo un lado, mueva la estufa a su posición final. Marque el piso por el lado de la estufa que no estará contra el armario. **Si la parte trasera de la estufa no está al ras con la pared** (la ubicación del tomacorriente puede que no permita que la estufa se pegue al ras con la pared), marque el piso donde el borde trasero de la estufa estará. Ponga el patrón en el piso y alinie el lado del patrón con la línea marcada en el piso. Alinie la parte trasera del patrón con la pared trasera o la línea marcada para la parte de atrás de la estufa.

Si la estufa no será instalada junto a un armario, mueva la estufa a su posición final. Marque el piso por los dos lados de la estufa. **Si la parte trasera de la estufa no estará a ras con la pared** (la ubicación del tomacorriente puede que no permita que la estufa se pegue a ras con la pared), marque en el piso donde el borde trasero de la estufa estará. Ponga el patrón en el piso y alinie los lados del patrón con las líneas marcadas en el piso. Alinie la parte trasera del patrón con la pared trasera o la línea marcada para la parte trasera de la estufa.

8. Instalación de la alimentación de gas

Esta unidad ha sido ajustada de fábrica para operar con una tubería para gas natural de 4" (1.0 kPa). Un regulador de presión de conversión está conectado a la válvula distribuidora y DEBE ser conectado en serie con la tubería de suministro de gas.

Para la operación apropiada, la máxima presión de entrada al regulador no debe exceder la presión de una tubería de agua de 14 pulgadas (3.5 kPa).

La presión de entrada al regulador debe ser por lo menos 1 pulgada más grande que la válvula distribuidora (.25 kPa). El regulador ha sido ajustado para gas natural a 4 pulgadas de presión para la válvula distribuidora (1.0 kPa). La presión de entrada debe ser por lo menos de 5 pulgadas (1.25 kPa). Para propano líquido a 10 pulgadas de presión para la válvula distribuidora (2.5 kPa) la presión de entrada debe ser por lo menos de 11 pulgadas (2.75 kPa).

La tubería deberá ser equipada con una válvula de cierre aprobada (vea Figura 9). Esta válvula debe ubicarse en la misma habitación que la estufa en un lugar que permita una una facilidad de abrir y cerrar. No bloquee el acceso a la válvula de cierre. La válvula abre o cierra es para abrir o cerrar el suministro de gas al aparato. Abra la válvula de cierre en la línea de suministro de gas. Espere unos minutos a que el gas pase por el tubo.

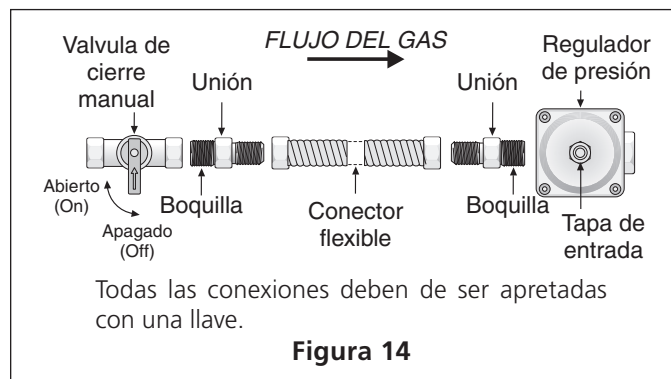
El suministro de gas entre la válvula de cierre y el regulador se puede conectar con tubería rígida o con tubería flexible unión metálica conectada y aprobada por la AGA/CGA donde los códigos locales permiten.

La tubería del suministro de gas puede pasar por la pared lateral del armario derecho. El armario lateral derecho es un lugar ideal para la válvula de cierre pincipal.

Conexión del regulador

El regulador esta instalado en el electrodoméstico.

⚠ PRECAUCION Asegurese de no apretar demasiado la conexión. El sobre apretar la conexión puede romper el regulador u generar una fuga de gas y posiblemente un incendio o explosión.



INSTRUCCIONES DE INSTALACIÓN PARA LA ESTUFA DE ALIMENTACIÓN MIXTA (Para Modelos con un Horno Eléctrico y una Estufa a Gas)

Monte el conector flexible desde el tubo de suministro de gas hasta el regulador de presión según este orden:

1. Válvula de cierre manual (no incluido)
2. Boquilla de 1/2" (no incluido)
3. 1/2" Adaptador de unión (no incluido)
4. Conector flexible (no incluido)
5. 1/2" Adaptador de unión (no incluido)
6. Boquilla de 1/2" (no incluido)
7. regulador de presión (incluido)

La tubería de suministro de gas debe ser de 1/2" (1,27 cm) o 3/4" (1.9 cm) D.I.

El consumidor debe saber la posición de la válvula principal de cierre y tener acceso fácil a esta.

NOTA: No permita que el conducto se pellizque entre la pared y la estufa. Para verlo, saque el cajón.

Use un compuesto para juntas de tubería apropiado para el uso con gas natural y de LP/Propano para sellar todas las conexiones de gas. Si se usan conectores flexibles asegúrese de que no estén enroscados.

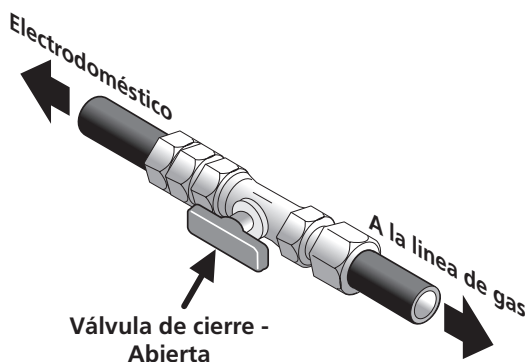


Figura 15

La línea del suministro se debe equipar de una válvula de cierre manual aprobada. Esta válvula se debe localizar en el mismo cuarto que la estufa y debe estar en una localización que permita el fácil acceso para abrir y cerrar. No obstruya el acceso a la válvula. La válvula abre o cierra el suministro de gas a la estufa.

Una vez que regulador está en su lugar, abra la válvula en la línea del suministro de gas. Espere algunos minutos para que el gas pase a través de la línea de gas.

Asegúrese de que no haya escapes de gas. Después de conectar la estufa al suministro de gas, compruebe el sistema con un manómetro. Si no tiene un manómetro, abra el gas y use un detector de fugas líquido en todas las juntas y conexiones para averiguar si hay escapes de gas.

⚠ ADVERTENCIA No use flama para verificar que no hayan pérdidas de gas. La comprobación de pérdidas de gas con una flama puede resultar en un incendio o explosión.

Se debe sellar todas las aberturas en la pared o el piso donde la estufa esté instalada.

Apriete todas las conexiones si hace falta para prevenir fugas de gas en la superficie de la estufa o en la línea de suministro.

Desconecte esta estufa y su válvula individual de cierre del sistema del suministro de gas durante cualquier prueba de presión de ese sistema a presiones mayores de 1/2 psig (3.5 kPa o 14" (35,56 cm) columna de agua).

Aísle la estufa del sistema del suministro de gas cerrando su válvula manual de cierre individual durante cualquier prueba de presión del suministro del gas a presiones iguales a menos de 1/2 psig (3.5 kPa o 14" (35,56 cm) columna de agua).

9. Conversión para uso de Propano Líquido

Este aparato puede ser usado con gas natural o propano líquido. Ha sido ajustado en la fábrica para operar con gas natural solamente.

Si desea convertir su estufa para uso con propano líquido, use las esperas provistas ubicados en el bolso que contiene la literatura titulada "FOR LP/PROPANE GAS CONVERSION". Siga las instrucciones que vienen con las esperas.

La conversión debe efectuarse por un técnico de servicio capacitado, de acuerdo con las instrucciones del fabricante y con todos los códigos y requisitos de las autoridades correspondientes. El no seguir las instrucciones podría dar como resultado lesiones graves o daños a la propiedad. El organismo autorizado para llevar a cabo este trabajo asume la responsabilidad de la conversión.

⚠ ADVERTENCIA La falta de una conversión apropiada puede resultar en lesiones graves y daños a la propiedad.

10. La mudanza del aparato para reparaciones o limpieza

Corte la corriente eléctrica a la estufa a la fuente de poder principal, y cierre la válvula manual de gas. Asegúrese de que la estufa esté fría. Abra la puerta del horno. Levante el frente de la estufa y deslícela fuera de la abertura sin crear tensión desmedida sobre el conducto flexible de gas. Asegúrese de no pellizcar el conducto flexible de gas detrás de la estufa al reinstalar la unidad en la abertura. Cierre la puerta y abra el gas y la corriente eléctrica a la estufa.

INSTRUCCIONES DE INSTALACIÓN PARA LA ESTUFA DE ALIMENTACIÓN MIXTA

(Para Modelos con un Horno Eléctrico y una Estufa a Gas)

11. Instalación de la estufa

1. La parte trasera de la estufa puede ser directamente instalada a ras con la pared trasera de la estructura.
2. Para reducir posibles marcas o rayas de las paredes verticales y minimizar los riesgos de choques eléctricos en caso de condiciones de uso anormales como alto calor o no cazuelas, y para conformar a los requisitos de A.G.A.:
 - Para la estufa de 30", un espacio mínimo de 7" (17. cm) debe de ser provisto en ambos lados de la plancha de cocinar.
 - Para la estufa de 36", un espacio mínimo de 9" (22.9 cm) debe de ser provisto en ambos lados de la plancha de cocinar.

⚠ ADVERTENCIA

Peligro de Peso Excesivo

- Use 2 personas o más para mover e instalar la estufa.
- Si no cumple con esta instrucción, usted podrá lesionarse la espalda u otra parte de su cuerpo.

11.1 Nivelación de la estufa

1. Coloque una parrilla del horno en el centro del horno.
2. Ponga un nivel sobre la parrilla (figura 16). Ponga un nivel sobre la parrilla. Tome dos lecturas con el nivel puesto diagonalmente en una dirección y después en la otra. Nivele la estufa, si es necesario, ajustando las 4 patas niveladoras con una llave de tuercas (vea la figura 21).
3. Deslice la estufa a su posición final y verifique dos veces la nivelación de la unidad. Si la estufa no está nivelada, jale la unidad y reajuste las patas niveladoras, o asegúrese que su piso este nivelado.

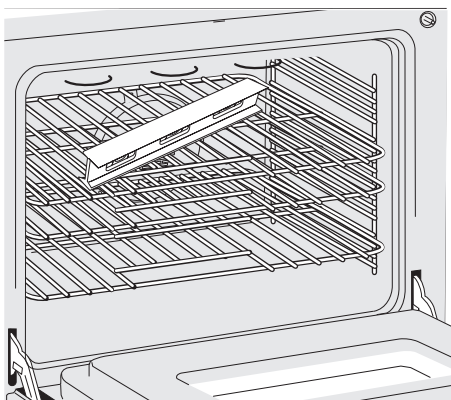


Figura 16

11.2 Comprobación del Funcionamiento

Consulte el Manual del Usuario incluido con la estufa para instrucciones de operación y instrucciones para el cuidado y limpieza de su estufa.

Quite todo el empaque de la unidad antes de comprobarla.

1. Bases y tapas de los quemadores.

Esta estufa está equipada con quemadores sellados como se muestra más abajo (Figura 17). **Todas las piezas están en su lugar. Tome nota en donde están.** Quite todo el material de protección localizado bajo la cabeza del quemador de dual. **NOTA:** No hace falta ningún ajuste de quemador en esta estufa.

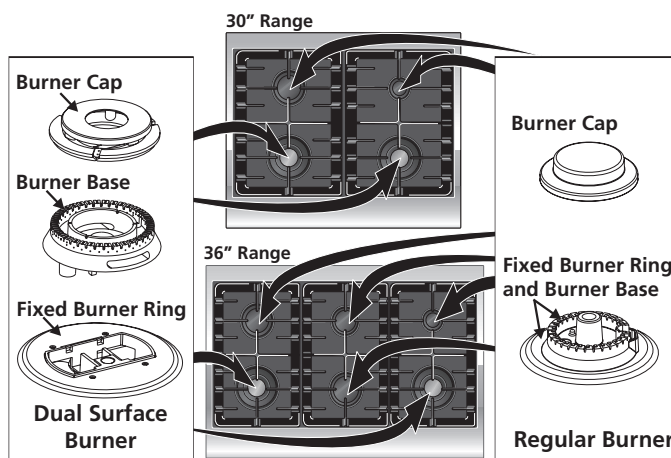


Figure 17

2. Encienda la corriente eléctrica y abra la válvula principal de alimentación.

3. Comprobación de los Encendedores

El funcionamiento de las bujías electrónicas debe ser comprobado una vez que los conectores del suministro de gas han sido verificados y no exista ningún tipo de fuga. Y el suministro de electricidad se conecte a la estufa.

Para verificar un encendido correcto:

- A. Presione y gire a una perilla a la posición de LITE. Todos las bujías electrónicas chispearán al mismo tiempo. Sin embargo, solamente el quemador que usted se está girando encenderá.
- B. El quemador se deberá encender en cuatro (4) segundos para un funcionamiento normal, luego de que el aire haya sido purgado de la tubería de suministro de gas. Controle visualmente que el quemador se haya encendido.
- C. Luego que el quemador se haya encendido, la perilla debe ser girada fuera de la posición LITE.

Cada quemador tiene su encendedor individual. Controle las perillas separadamente hasta que todas las válvulas hayan sido controladas.

INSTRUCCIONES DE INSTALACIÓN PARA LA ESTUFA DE ALIMENTACIÓN MIXTA (Para Modelos con un Horno Eléctrico y una Estufa a Gas)

4. Ajuste bajo ("LO") para la válvula de los quemadores de superficie estándar (Figuras 17 y 18)

- Presione y gire el control hasta la posición LITE para prender los quemadores.
- Gire **rápidamente** gire la perilla a la POSICIÓN MAS BAJA.
- Si el quemador se apaga, reajuste el control a OFF.
- Retire la perilla y el anillo del quemador de superficie.
- Inserte un destornillador fino-aplanado en el orificio del vástago de la válvula e inserte en el tornillo ranurado. El tamaño de la llama puede aumentarse o disminuirse dándole vuelta al tornillo. Dé vuelta en sentido opuesto a las manecillas del reloj para aumentar el tamaño de la llama. Dé vuelta en sentido a las manecillas del reloj para disminuir la llama. Ajuste la llama hasta que usted puede dar vuelta rápidamente a la perilla de la posición LITE a la POSICIÓN MÁS BAJA sin extinguir la llama. La llama debe ser tan pequeña como sea posible sin apagarse.

Nota: El ajuste de la mezcla del aire no se requiere en los quemadores de superficie

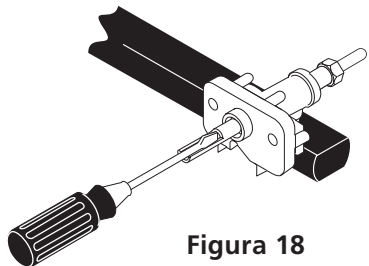


Figura 18

5. Ajuste bajo "LOW" para la válvula de quemador de superficie Dual (vea Figura 17 y 19)

Nota: En la válvula de quemador triple el ajuste «LOW» de cada porción (porción posterior del quemador puente y la porción de centro del quemador del puente) se debe ajustar individualmente.

- Presione y gire el control a la posición LITE hasta que la porción posterior del quemador puente se encienda.
- Gire **rápidamente** a la perilla a la POSICIÓN MÁS BAJA.
- Si el quemador se apaga, reajuste el control a OFF.
- Retire la perilla del quemador de superficie.
- El tamaño de la flama de la porción posterior del quemador puente puede aumentarse o disminuirse dándole vuelta al tornillo **A** (vea Figura 19). Utilice el tornillo **B** para ajustar el tamaño de la llama de la porción central del quemador puente o del quemador triple. Dé vuelta en sentido opuesto de las manecillas del reloj para aumentar el tamaño de la llama. Dé vuelta en sentido a las manecillas del reloj para disminuir la llama. Ajuste la llama hasta que usted puede dar vuelta rápidamente a la perilla de la posición LITE a la POSICIÓN MÁS BAJA sin extinguir la llama. La llama debe ser tan pequeña como sea posible sin apagarse.

Nota: El ajuste de la mezcla del aire no se requiere en los quemadores de superficie.

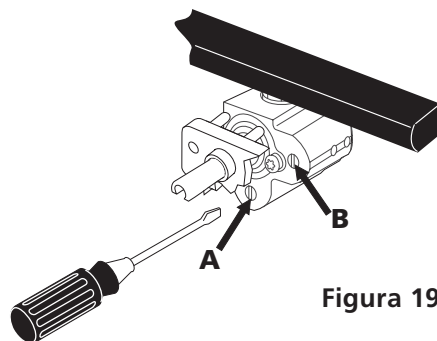


Figura 19

6. Funcionamiento de los Elementos del Horno

El horno está equipado con un control electrónico. Cada función ha sido probada en la fábrica antes del transporte. Sin embargo, sugerimos que Ud. verifique el funcionamiento de los controles del horno una vez más. Véase el Manual del Usuario para la operación. Siga las instrucciones par el Reloj, Minutero, Cocer, Asar, Convección (algunos modelos) y las funciones de limpieza (algunos modelos).

PRECAUCION Al verificar el funcionamiento de elemento de horno, no toque los elementos. Ellos tendrán el calor bastante para causar las quemaduras serias.

Hornear-Verifique que esta función caliente el horno. 20 segundos después de encender el horno, abra la puerta y usted debe sentir calor que sale del horno.

Asar-Cuando el horno se ajusta PARA ASAR, el elemento superior en el horno debe tomar un color rojo.

Convección- Cuando el horno se ajusta para la convección (horneado o asado) el ventilador de la convección funcionará. El ventilador de la convección parará de funcionar cuando se abra la puerta del horno.

Después de Terminar la Instalación

Asegúrese de que todos los controles estén en la posición OFF (apagada).

Antes de Llamar al Servicio

Lea la sección Lista de control de averías en su Manual del Usuario. Esto le podrá ahorrar tiempo y gastos. Esta lista incluye ocurrencias comunes que no son el resultado de defectos de materiales o fabricación de este artefacto.

Refiérase a su manual de Uso y Cuidado para la lista telefónica del servicio o llame al 1-877-4ELECTROLUX (1-877-435-3287).

INSTRUCCIONES DE INSTALACIÓN PARA LA ESTUFA DE ALIMENTACIÓN MIXTA (Para Modelos con un Horno Eléctrico y una Estufa a Gas)

Importante Advertencia de Seguridad

Para reducir el riesgo de que la estufa se vuelque, es necesario asegurarla al piso instalando los soportes antivuelco y los tornillos suministrados con la estufa. Las piezas se encuentran en un saco de plástico en el horno. Si no se instalan los soportes antivuelco, la estufa se puede volcar si se coloca exceso de peso en una puerta abierta o si un niño se sube a ella. Se pueden ocasionar lesiones graves causadas por los líquidos calientes derramados o por la estufa misma.

Siga las instrucciones que más abajo se indican para instalar los soportes antivuelco.

Si la estufa es movida a otro lugar, los soportes antivuelco deben también ser movidos e instalados en la estufa.

Herramientas Necesarias:

Llave de tuerca de 5/16" (8 mm) o destornillador para tornillos de cabeza plana

Llave inglesa

Taladro eléctrico

Broca de 3/16" (4.8 mm) de diámetro

Broca para taladro de mampostería de 3/16" (4.8 mm) de diá. (si se está instalando en concreto).

Instrucciones de Instalación del Soporte Antivuelco

1. **Estufa de 30"**: El soporte antivuelco debe de ser instalado en el lado derecho **o** izquierdo en la parte trasera de la unidad. **Estufa de 36"**: El soporte antivuelco debe de ser instalado en el lado derecho **e** izquierdo en la parte trasera de la unidad.
2. El soporte-base debe de fijarse al piso en la parte posterior. Cuando los fije al piso, asegúrese que los tornillos no toquen ningún cable eléctrico o instalaciones de plomería. Los tornillos provistos funcionaran en madera o concreto.
3. Desdoble la plantilla de papel y colóquela en el piso con la parte posterior y los bordes laterales colocados exactamente donde la parte posterior y los lados de la estufa serán localizados cuando este instalada. (utilice

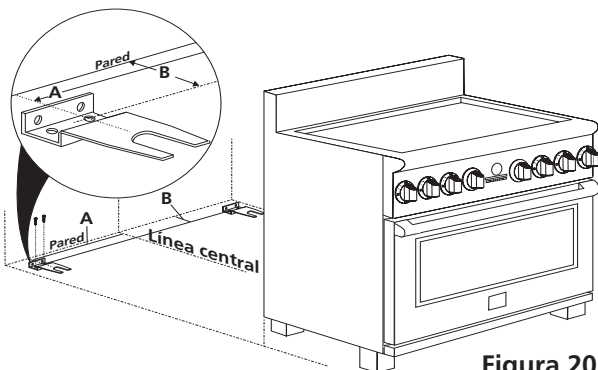


Figura 20

Estufa de 30": El soporte antivuelco debe de ser instalado en el lado derecho **o** izquierdo en la parte trasera de la unidad. **Estufa de 36"**: El soporte antivuelco debe de ser instalado en el lado derecho **e** izquierdo en la parte trasera de la unidad.

el diagrama en el cuadro 20 para situar el soporte si la plantilla no está disponible.)

4. Marque en el piso la localización de los agujeros de montaje demostrados en la plantilla (posición derecha y izquierda). Para una instalación más fácil, los agujeros 1/2" (1.3 centímetros) de diámetro y 3/16" (4.8 milímetros) de profundidad pueden perforarse en el piso.
5. Quite la plantilla y coloque los soportes en piso (véase figura 20). Alinee los agujeros en soporte con las marcas en piso y una el soporte usando los tornillos proporcionados. El soporte se debe asegurar al piso sólido. Si se ajusta a un piso concreto, primero taladre agujeros con un diámetro de 3/16" (4.8 milímetros) usando un taladro de la albañilería.
6. Nivele la estufa si es necesario, ajustando las 4 patas niveladoras con una llave ajustable. Afloje el tornillo que fija la pata decorativa y levántelo para alcanzar la pata de nivelación. Dé vuelta a la pata de nivelación a la izquierda para levantar la estufa o a la derecha para bajar la estufa (véase la figura 21). Reemplace las patas decorativas según su conveniencia.
7. Antes de deslizar la estufa hacia su posición final; tome la nota del número de serie y de modelo para referencia futura. Deslice la estufa a su lugar y asegúrese que las patas traseras estén ancladas en los soportes. La estufa podrá necesitar ser inclinada levemente hacia un lado mientras que se está empujando para permitir que las patas posteriores se alineen con los soportes.
8. Después de la instalación, verifique visualmente que los soportes antivuelco estén correctamente enganchados (anclados).

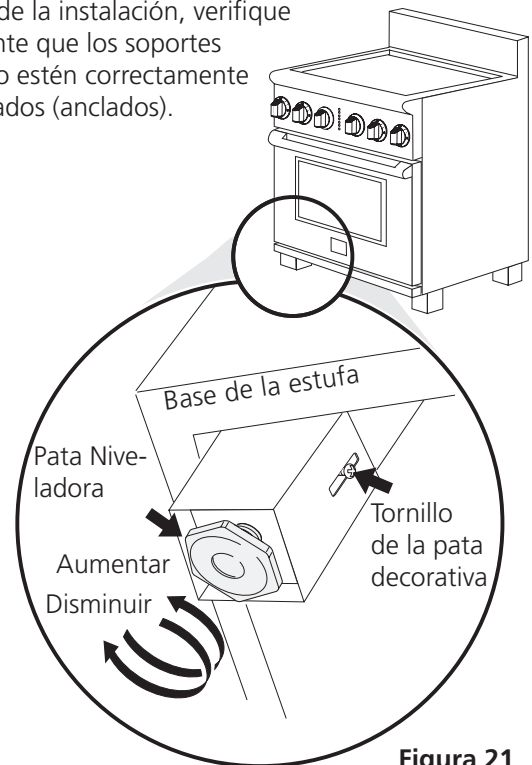


Figura 21

	A	B
Estufa 30"	11 5/16 (28.7 cm)	2 1/2 (6.4 cm)
Estufa 36"	14 5/16 (36.4 cm)	1 5/8 (4.1 cm)

INSTRUCTIONS D'INSTALLATION POUR LES CUISINIÈRES 30" ET 36" À ALIMENTATION MIXTE (Modèles avec four électrique et table de cuisson à gaz)

UN INSTALLATEUR QUALIFIÉ DOIT EFFECTUER L'INSTALLATION ET LE SERVICE IMPORTANT: CONSERVEZ CES INSTRUCTIONS POUR LES INSPECTEURS LOCAUX LISEZ CES INSTRUCTIONS ET CONSERVEZ-LES POUR RÉFÉRENCES ULTÉRIEURES

AVERTISSEMENT Si les instructions de ce manuel ne sont pas suivies à la lettre, il pourrait en résulter un incendie ou une explosion susceptible de causer des dommages matériels, des blessures ou même la mort.

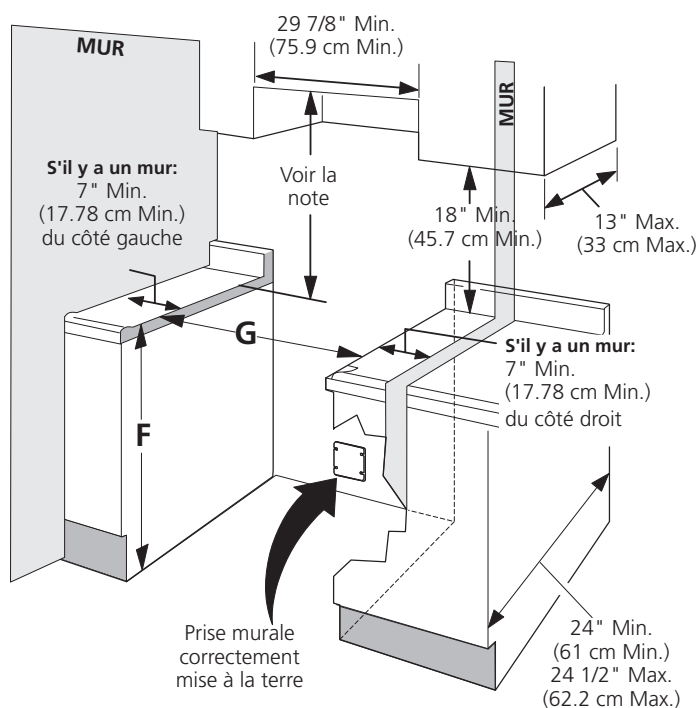
POUR VOTRE SÉCURITÉ:

- N'entreposez et n'utilisez pas d'essence ou d'autres produits inflammables à proximité de cet appareil ou de tout autre appareil.
- **QUE FAIRE SI VOUS DÉCELEZ UNE ODEUR DE GAZ:**
 - Ne tentez d'allumer aucun appareil.
 - N'actionnez aucun interrupteur électrique; n'utilisez aucun appareil téléphonique de l'édifice.
 - Communiquez immédiatement avec votre fournisseur de gaz en vous servant du téléphone d'un voisin. Suivez les instructions que le fournisseur vous donnera.
 - S'il vous est impossible de rejoindre votre distributeur de gaz, communiquez avec le service d'incendie.
- L'installation et l'entretien doivent être effectués par un installateur qualifié, un service d'entretien ou de réparation accrédité ou le distributeur de gaz.



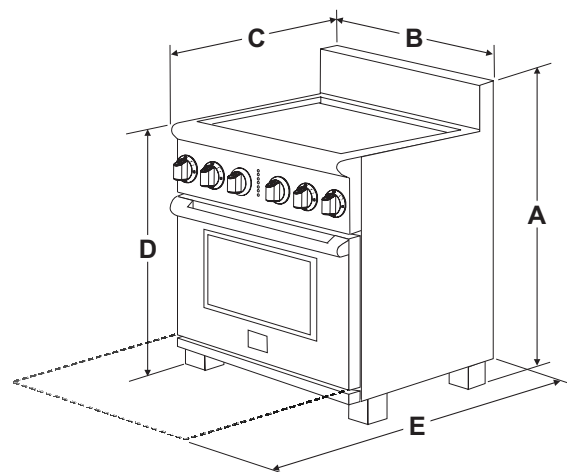
Référez-vous à la plaque de série pour connaître la certification applicable.

Note: Pour les appareils installés dans l'état du Massachusetts voir la note à la page 27.



Ne coincez pas le cordon d'alimentation ou le conduit de gaz entre le mur et l'appareil.

Figure 1 - Cuisinière 30" (Pour la cuisinière 36", voir la page suivante)



Ne scellez pas l'appareil aux armoires latérales.

NOTE: Dégagement minimum de 24" (76.2 cm) entre la plaque de cuisson et la base de l'armoire du haut lorsque le dessous de l'armoire en bois ou en métal est protégé par un celloderme retardateur de flammes d'un minimum de 1/4" (0.64 cm) recouvert d'une feuille de métal MSG No. 28, d'acier inoxydable d'un minimum de 0.015" (0.4 mm), d'aluminium de 0.024" (0.6 mm) ou de cuivre de 0.020" (0.5 mm).

Dégagement minimum de 30" (91.4 cm) lorsque l'armoire n'est pas protégée.

A. HAUTEUR	B. LARGEUR	C. PROFONDEUR AU DE VANT DE L'APPAREIL	D. HAUTEUR DE LA TABLE DE CUISSON	E. PROFONDEUR PORTE OUVERTE	F. HAUTEUR DU COMPTOIR	G. LARGEUR MIN. DE L'OUVERTURE
41 5/8" (105.7 cm) Min. 42 5/8" (108.3 cm) Max.	29 7/8" (75.9 cm)	27 1/2" (69.9 cm)	35 3/4" (90.8 cm) Min. 36 3/4" (93.3 cm) Max.	45 1/2" (115.6 cm)	36" (91.4 cm) Standard 35 3/4" (90.8 cm) Min.	30 1/16" (76.4 cm)

Note: Le schéma de câblage de cet appareil est inclus dans ce feuillet (voir page 36).

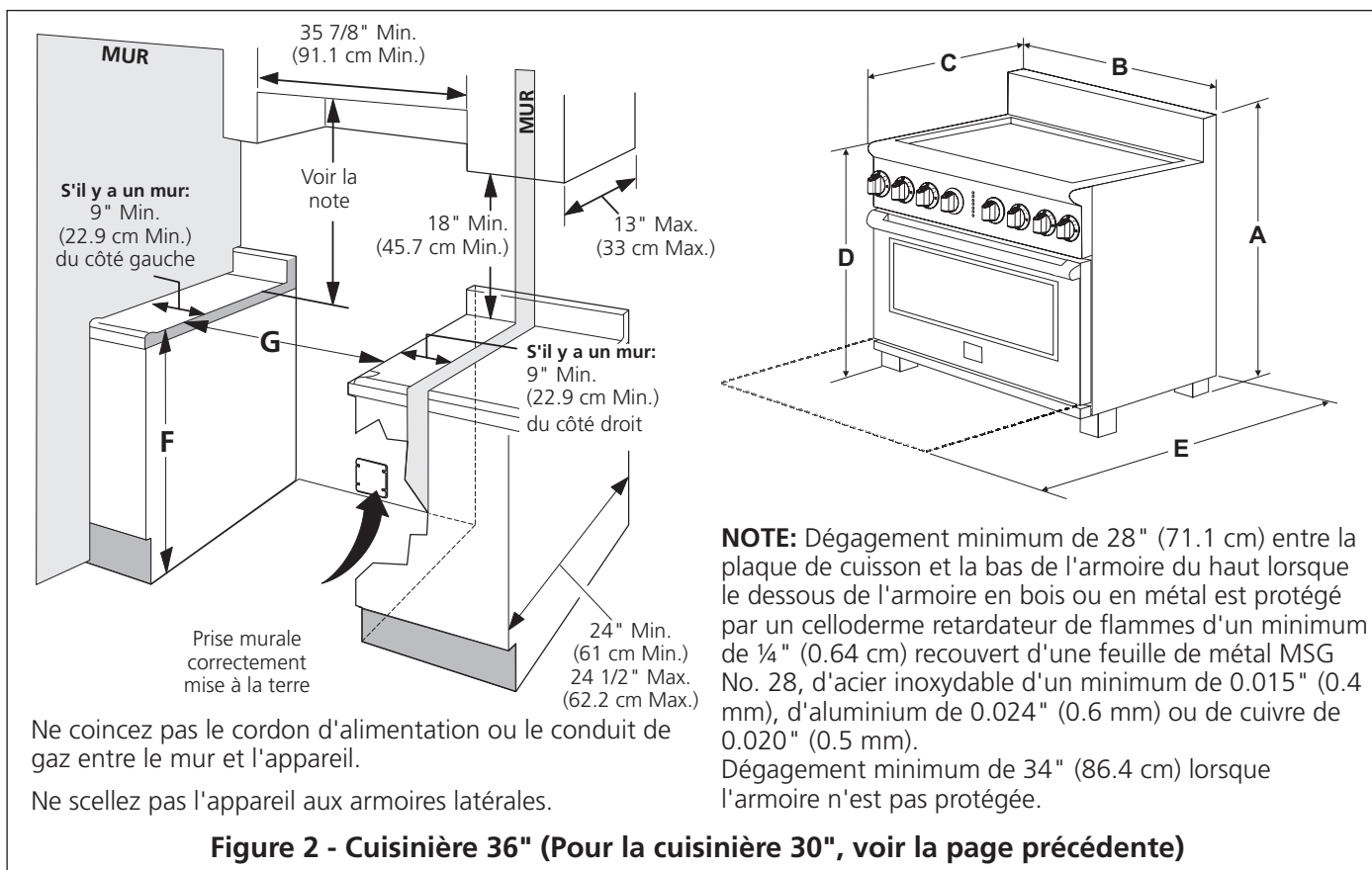
P/N 318201773 (0809) Rev. B

Imprimé aux États-Unis

English - pages 1-12; Español - Páginas 13-24

Français - pages 25-36; Schéma de câblage - page 36

INSTRUCTIONS D'INSTALLATION POUR LES CUISINIÈRES 30" ET 36" À ALIMENTATION MIXTE (Modèles avec four électrique et table de cuisson à gaz)



A. HAUTEUR	B. LARGEUR	C. PROFONDEUR AU DEVANT DE L'APPAREIL	D. HAUTEUR DE LA TABLE DE CUISSON	E. PROFONDEUR AVEC LA PORTE OUVERTE	F. HAUTEUR DU COMPTOIR	G. LARGEUR MINIMALE DE L'OUVERTURE
41 5/8" (105.7 cm) Min. 42 5/8" (108.3 cm) Max.	35 7/8" (91.1 cm)	27 1/2" (69.9 cm)	35 3/4" (90.8 cm) Min. 36 3/4" (93.3 cm) Max.	47 3/8" (120.3 cm)	36" (91.4 cm) Standard 35 3/4" (90.8 cm) Min.	36 1/16" (91.6 cm)

Notes importantes à l'installateur

1. Lisez toutes les instructions contenues dans ces instructions d'installation avant d'installer la cuisinière.
2. Enlevez tout le matériel d'emballage des compartiments du four avant de connecter l'alimentation à gaz et électrique à la cuisinière.
3. Respectez tous les codes et règlements applicables.
4. N'oubliez pas de laisser ces instructions au consommateur.
5. Note: Pour l'utilisation à plus de 2000 pieds d'élévation au dessus du niveau de la mer, la puissance de l'appareil devrait être réduite de 4% pour chaque 1000 pieds additionnels.

Note importante au consommateur

Conservez ces instructions avec le guide de l'utilisateur pour référence ultérieure.

Items disponibles sur commande:

- Moulure pour la surface de cuisson, si vous désirez enlever le dossier de 6" en acier inoxydable qui est actuellement installé sur l'appareil.
 - Dossier de 9" (22.9 cm) en acier inoxydable.
 - Dossier de 12" (30.5 cm) en acier inoxydable.
- Ces items peuvent être achetés en téléphonant au centre de service au 1-877-4ELECTROLUX (1-877-435-3287).

INSTRUCTIONS DE SÉCURITÉ IMPORTANTES

Cette cuisinière doit être installée conformément aux règlements locaux, ou en leurs absences, aux normes CAN/ACG-B149.1 et CAN/ACG-B149.2.

- L'installation d'appareils conçus pour les maisons (mobiles) doit se conformer aux normes de la Manufactured Home Construction and Safety Standard, titre 24CFR, partie 3280 (antérieurement Federal Standard for Mobile Home Construction and Safety, titre 24, HUD (partie 280)) ou en leurs absences, aux normes de la Manufactured Home Installation 1982 (Manufactured Home Sites, Communities and Setups), ANSI Z225.1/NFPA 501A-dernière édition, ou aux codes locaux. Lorsque l'installation se fait au Canada, elle doit se conformer à la norme CAN/ACNOR-Z240 MH.

La conception de cette cuisinière a été approuvée par CSA international. Il faut prendre certaines précautions d'usage lors de l'utilisation de tout appareil fonctionnant au gaz naturel ou produisant de la chaleur. Vous trouverez celles-ci dans votre Guide d'utilisateur, lisez-les avec attention.

INSTRUCTIONS D'INSTALLATION POUR LES CUISINIÈRES 30" ET 36" À ALIMENTATION MIXTE (Modèles avec four électrique et table de cuisson à gaz)

- Assurez-vous que votre cuisinière est correctement installée et mise à la terre par un installateur ou un technicien d'entretien qualifié.
- Le circuit électrique de cette cuisinière doit être mis à la terre conformément aux règlements locaux, ou en leur absence, à la norme canadienne d'électricité, ACNOR C22.1, partie 1.
- Assurez-vous que la tapisserie à proximité de l'appareil peut résister à la chaleur générée par la cuisinière.

	<p>⚠ AVERTISSEMENT</p> <ul style="list-style-type: none"> • Toutes les cuisinières peuvent basculer. • Des blessures pourraient survenir. • Installer les supports qui accompagnent la cuisinière. 	<p>⚠ AVERTISSEMENT</p> <p>Pour prévenir tout risque de basculement de la cuisinière, elle doit être fixée correctement au plancher à l'aide des supports qui l'accompagnent. Pour vérifier si les supports sont installés correctement, retirer le tiroir de rangement et s'assurer que les supports sont enclenchés.</p>
--	--	--

- Avant d'installer la cuisinière à un endroit recouvert de linoléum ou de tout autre couvre-plancher synthétique, assurez-vous que celui-ci peut résister à un minimum de 90°F (32.2°C) de chaleur au-dessus de la température de la pièce sans se rapetisser, se déformer ou se décolorer. N'installez pas la cuisinière sur un tapis, à moins de placer un tampon isolant ou une feuille de contreplaqué d'une épaisseur de ¼" (0.6 cm) entre la cuisinière et le tapis.
- Ne bloquez pas la circulation d'air à l'orifice de ventilation du four ni autour de la base ou sous le panneau inférieur avant de la cuisinière. Évitez de toucher les ouvertures de l'orifice de ventilation ou les surfaces avoisinantes car elles risquent de devenir chaudes lorsque le four fonctionne. Les brûleurs ont besoin d'air frais pour assurer une bonne combustion.

⚠ AVERTISSEMENT Ne laissez jamais les enfants seuls ou sans surveillance près d'un appareil qui fonctionne. Apprenez-leur à utiliser les appareils électroménagers de façon sécuritaire et appropriée. Ne laissez jamais la porte du four ouverte lorsque la cuisinière est sans surveillance.

⚠ AVERTISSEMENT Le fait de monter sur la porte cette cuisinière, de s'y appuyer ou de s'y asseoir peut occasionner des blessures graves, et endommager l'appareil.

- N'entrez pas d'objets susceptibles d'intéresser les enfants dans les armoires situées au-dessus de la cuisinière. Ils risquent de se brûler sérieusement s'ils tentent de grimper sur l'appareil.
- Évitez de placer des armoires de rangement au-dessus des brûleurs afin d'éliminer les gestes inutiles au-dessus de ceux-ci.

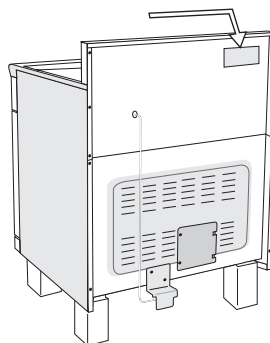
- Réglez la flamme du brûleur pour qu'elle ne dépasse pas le bord de l'ustensile utilisé pour la cuisson. Une flamme excessive est dangereuse.
- N'utilisez pas le four à des fins de rangement. Ceci génère une situation éventuellement dangereuse.
- N'utilisez jamais votre cuisinière pour réchauffer ou chauffer la pièce. L'utilisation prolongée de la cuisinière sans une ventilation adéquate peut s'avérer dangereuse.
- Ne gardez pas de produits combustibles, d'essence et d'autres produits inflammables à proximité de cet appareil ou de tout autre appareil. Il pourrait en résulter des explosions ou un incendie.
- Lors d'une panne de courant électrique, les brûleurs de surface peuvent être allumés manuellement; placez une allumette allumée près de la tête du brûleur et tournez rapidement le bouton de commande de surface à la position MED. Redoublez de prudence si vous allumez un brûleur de surface manuellement.
- Enlevez la lèchefrite, les aliments et les autres ustensiles avant de procéder à un cycle autonettoyant du four. Essayez tous les renversements excessifs. Suivez les instructions pour le pré nettoyage dans le Guide de l'utilisateur.
- Contrairement aux cuisinières à gaz régulières, la surface de cuisson de cette cuisinière N'EST PAS AMOVIBLE. N'essayez pas de la soulever.

Instructions spéciales pour les appareils installés dans l'état du Massachusetts: Cet appareil peut être installé dans l'état du Massachusetts seulement par un plombier ou un technicien de gaz licencié de cet état. Lorsqu'un connecteur flexible est utilisé, il ne doit pas dépasser 3 pieds (36 pouces) de longueur. Une valve à gaz manuelle en "T" doit être installée sur la ligne de gaz allant à l'appareil.

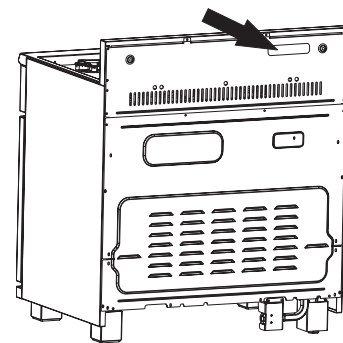
1. Emplacement de la plaque de série

La plaque signalétique est située à l'arrière de l'appareil.

Lors d'une commande de pièces ou pour toute demande de renseignements au sujet de votre cuisinière, assurez-vous de toujours inclure les numéros de modèle et de série et le numéro de lot ou la lettre de la plaque signalétique de votre cuisinière.



Cuisinière 30"



Cuisinière 36"

INSTRUCTIONS D'INSTALLATION POUR LES CUISINIÈRES 30" ET 36" À ALIMENTATION MIXTE (Modèles avec four électrique et table de cuisson à gaz)

2. Modèle avec un cordon d'alimentation branché en usine (Canada seulement)

Cette cuisinière est munie d'un cordon d'alimentation branché en usine (voir Figure 3). Il doit être connecté à une prise d'alimentation de 120/240 volts, mise à la terre, ou à une prise de courant pour cuisinières de 120/208 volts. Si aucune prise d'alimentation n'est disponible, demandez à un électricien compétent d'en installer une.

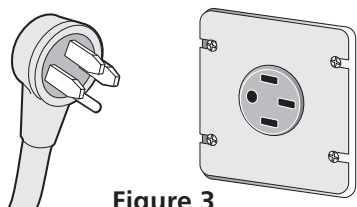


Figure 3

3. Emplacement de la prise murale

Référez-vous à la figure 4 pour la cuisinière 30" ou à la figure 5 pour la cuisinière 36" pour connaître la position recommandée de la prise murale électrique. L'appareil peut également être installé dans le bas de l'armoire adjacente du côté droit (voir la figure 6).

4. Ensemble de cordon d'alimentation (États-Unis seulement)

Il incombe à l'utilisateur de faire raccorder le cordon d'alimentation au bloc de connexion situé derrière le couvercle du panneau arrière.

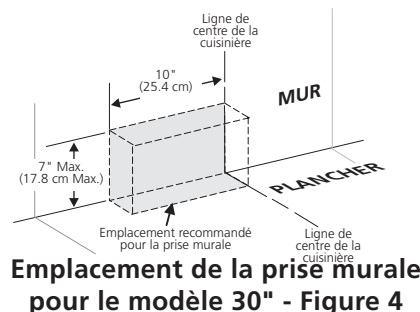
Il est possible de connecter l'appareil soit au moyen d'un câble "permanent dur" (câble flexible en cuivre blindé ou muni d'une gaine protectrice non métallique) soit au moyen d'un ensemble de cordon d'alimentation. Seul un ensemble de cordon d'alimentation d'un minimum de 125/250 volts, certifié pour utilisation avec cuisinière doit être utilisé. Le cordon doit être muni de 3 ou 4 conducteurs (États-Unis seulement).

Les bornes aux extrémités des câbles doivent comporter soit une boucle fermée, soit des cosses à fourche ouvertes et aux extrémités renversées. Le cordon doit être muni d'un réducteur de tension.

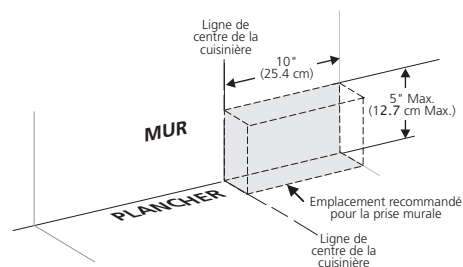
Un câble électrique à 3 fils* ou 4 fils monophasé 120/240 ou 120/208 Volt, 60 Hz AC est requis sur un circuit séparé muni d'un fusible sur chaque fil conducteur (fusible temporisé ou disjoncteur recommandé). NE RELIEZ pas de fusible au neutre. La capacité du fusible ne doit pas excéder la capacité nominale du circuit de l'appareil spécifiée sur la plaque signalétique. Pour les cuisinières 30" et 36" utilisez un disjoncteur de 30 Amp.

* Dans les maisons mobiles (États-Unis), les nouvelles installations, les véhicules récréatifs ou tout autre

endroit où les codes locaux interdisent la mise à la terre au moyen du conducteur neutre, un cordon d'alimentation de 4 conducteurs d'un minimum de 125/250 volts, certifié pour l'utilisation avec cuisinière doit être utilisé (voir Figure 10).



Emplacement de la prise murale pour le modèle 30" - Figure 4



Emplacement de la prise murale pour le modèle 36" - Figure 5

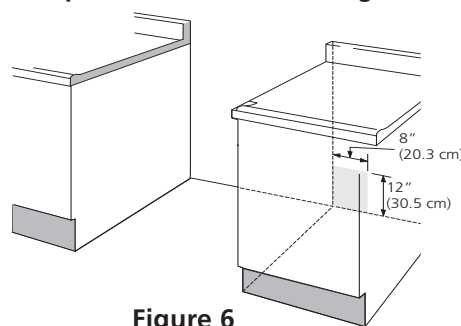


Figure 6

⚠ AVERTISSEMENT

Risque de choc électrique

- La mise à la terre de cet appareil est obligatoire.
- Ne branchez pas l'appareil au circuit électrique avant qu'il soit mis à la terre correctement, en permanence.
- Interrompez le courant dans la boîte de jonction avant d'effectuer la connexion électrique.
- Cet appareil doit être branché à un système de câblage métallique, mis à la terre en permanence, ou un connecteur mis à la terre doit être branché à la borne de mise à la terre ou directement sur l'appareil.
- N'utilisez pas la ligne d'alimentation en gaz pour la mise à la terre de l'appareil.

Si vous ne suivez pas les instructions précitées à la lettre, il peut en résulter un incendie, des blessures ou un choc électrique.

INSTRUCTIONS D'INSTALLATION POUR LES CUISINIÈRES 30" ET 36" À ALIMENTATION MIXTE (Modèles avec four électrique et table de cuisson à gaz)

5. Connexions électriques à la cuisinière (États-Unis seulement)

Cet appareil est muni d'une borne neutre branchée au châssis.

⚠️ AVERTISSEMENT Vous ne pouvez pas faire la mise à terre de l'appareil par le fil neutre (blanc) si l'appareil est utilisée dans une nouvelle installation de circuit branché (1996 NEC), maison mobile, véhicule récréatif, ou où les codes locaux ne permettent pas la mise à terre par le fil neutre (blanc). Quand la mise à terre par le fil neutre (blanc) est interdit, vous devez utiliser un câble d'alimentation à 4 fils. Voir la section 5B. Ne pas suivre cet avertissement peut avoir pour résultat l'électrocution ou d'autre blessure personnelle sérieuse.

⚠️ MISE EN GARDE Ne desserrez pas les écrous des fils installés en usine. Une panne, un bris ou des conditions dangereuses pourraient s'en suivre.

5.A Pour une connexion à un câble d'alimentation à 3 conducteurs

(Le cordon ou câble d'alimentation à 3-conducteurs doit être remplacé par un cordon ou un câble à 4-conducteurs où la mise à la terre du châssis au fil blanc est interdite, soit dans les nouvelles installations, les maisons mobiles, les véhicules récréatifs ou à d'autres endroits où les codes locaux interdisent la mise à la terre au moyen d'un conducteur neutre.)

Si les codes locaux permettent la connexion du conducteur de mise à la terre du châssis au fil neutre du cordon d'alimentation en cuivre (voir Figure 9).

1. Enlevez les 3 vis situées à l'extrémité inférieure du couvercle ou du panneau arrière de fils, puis enlevez le couvercle d'accès ou redressez l'extrémité inférieure du couvercle pour atteindre les bornes du bloc de connexion de la cuisinière (voir Figure 7 ou 8).

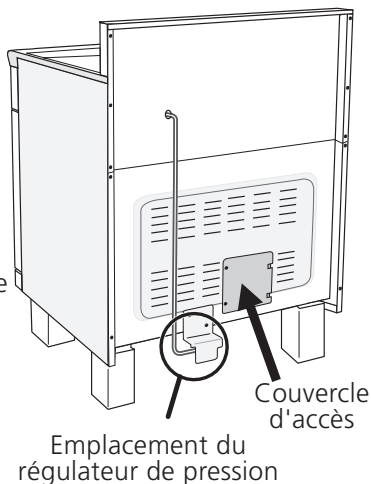


Figure 7 - Cuisinière 30"

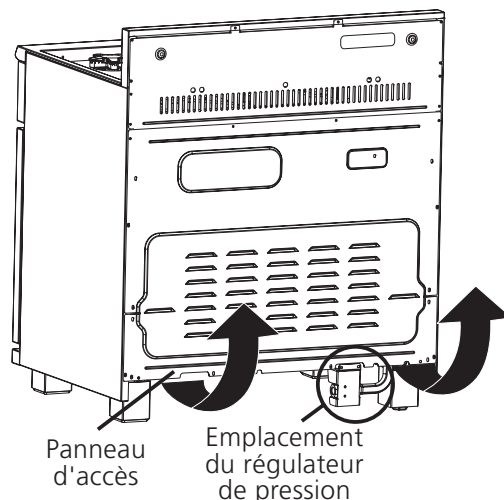


Figure 8 - Cuisinière 36"

2. Enlevez, à l'aide d'un tourne-écrou 3/8" (0,95cm), les 3 écrous des bornes du bloc de connexion.
3. Raccordez le neutre du cordon d'alimentation cuivré à la borne argentée située au centre du bloc de connexion, et raccordez les autres fils aux bornes extérieures. Assortissez les fils et les bornes conformément aux couleurs.
4. Remplacez les 3 écrous sur les bornes du bloc de connexion (voir Figure 9).
5. Remplacez le couvercle d'accès ou abaissez le panneau d'accès à l'aide des 3 vis enlevées à l'étape 1.

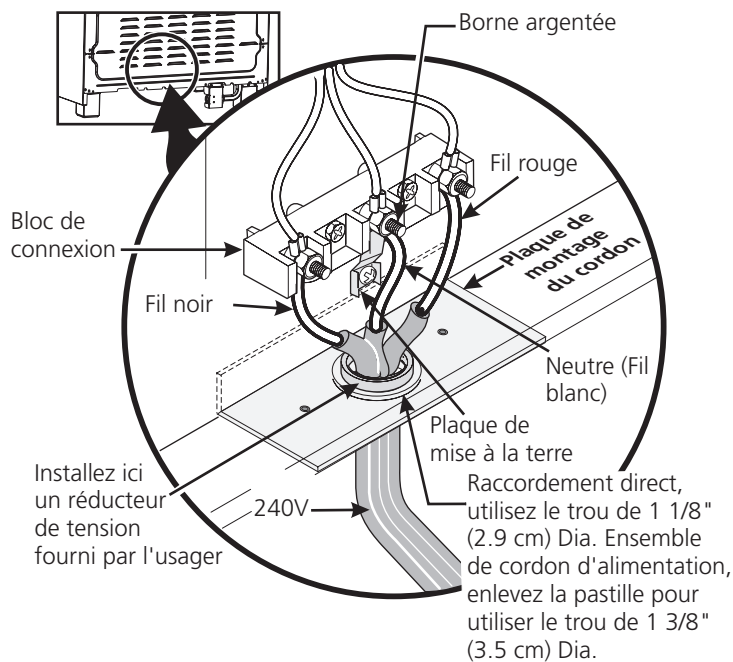


Figure 9

INSTRUCTIONS D'INSTALLATION POUR LES CUISINIÈRES 30" ET 36" À ALIMENTATION MIXTE (Modèles avec four électrique et table de cuisson à gaz)

5.B Pour une connexion à un câble d'alimentation à 4 conducteurs

1. Enlevez les 3 vis situées à l'extrémité inférieure du couvercle ou du panneau arrière de fils, puis enlevez le couvercle d'accès ou redressez l'extrémité inférieure du couvercle pour atteindre les bornes du bloc de connexion de la cuisinière (voir Figure 7 ou 8).
2. Enlevez, à l'aide d'un tourne-écrou 3/8" (0,95cm), les 3 écrous des bornes du bloc de connexion.
3. Enlevez la plaque de mise à la terre de la borne centrale du bloc de connexion et du châssis de l'appareil. Conservez la vis de mise à la terre.
4. Branchez le fil de mise à la terre (vert) du cordon d'alimentation cuivré, au châssis de l'appareil avec la vis de mise à la terre, à l'aide du trou dans le châssis à l'endroit où la bande de mise à la terre a été enlevée (voir Figure 10).
5. Raccordez le neutre (blanc) du cordon d'alimentation cuivré, à la borne argentée située au centre du bloc de connexion, et raccordez les autres fils aux bornes extérieures. Assortissez les fils et les bornes conformément aux couleurs.
6. Remplacez les 3 écrous sur les bornes du bloc de connexion (voir Figure 10).
7. Remplacez le couvercle d'accès ou abaissez le panneau d'accès à l'aide des 3 vis enlevées à l'étape 1.

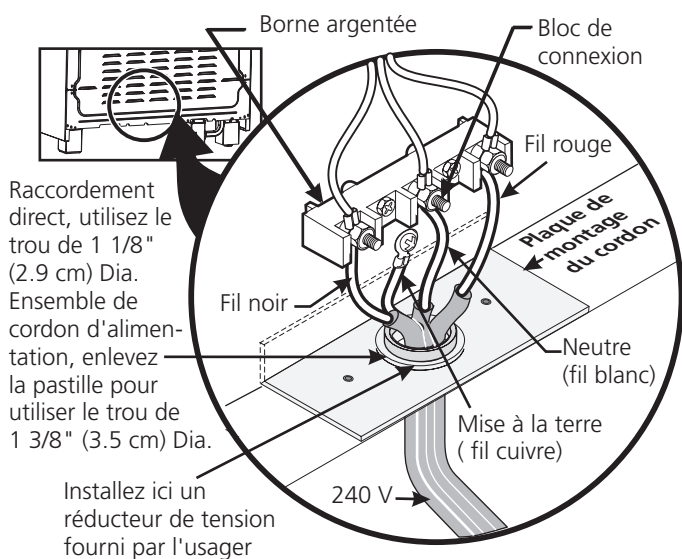


Figure 10

6. Connexions électriques au système électrique de la résidence

L'appareil doit être raccordé directement au disjoncteur ou au compartiment de fusibles au moyen d'un câble flexible en cuivre, blindé ou muni d'une gaine protectrice non métallique (avec fil de mise à la terre). Placez la boîte de jonction de manière à avoir 2 à 3 pieds de lâche dans la ligne pour déplacer la cuisinière si l'entretien s'avère nécessaire. Un des connecteurs homologués UL doit être fixé à chaque extrémité du câble d'alimentation (à l'appareil et à la boîte de jonction). Les grosseurs des fils (**fil en cuivre seulement**) et des raccordements doivent se conformer à la capacité de l'appareil.

⚠ AVERTISSEMENT Vous ne pouvez pas faire la mise à terre de l'appareil par le fil neutre (blanc) si l'appareil est utilisée dans une nouvelle installation de circuit branché (1996 NEC), maison mobile, véhicule récréatif, ou où les codes locaux ne permettent pas la mise à terre par le fil neutre (blanc). Quand la mise à terre par le fil neutre (blanc) est interdit, vous devez utiliser un câble d'alimentation à 4 fils. Voir la section 6B. Ne pas suivre cet avertissement peut avoir pour résultat l'électrocution ou d'autre blessure personnelle sérieuse.

6.A Pour une connexion à une boîte de jonction à 3 conducteurs

Si les codes locaux permettent le raccordement du conducteur de mise à la terre du châssis au fil neutre (blanc) de la boîte de jonction (voir figure 11):

1. Débranchez l'alimentation.
2. Dans la boîte de jonction: Reliez les fils de l'appareil à ceux du câble d'alimentation tel que montré à la figure 11.

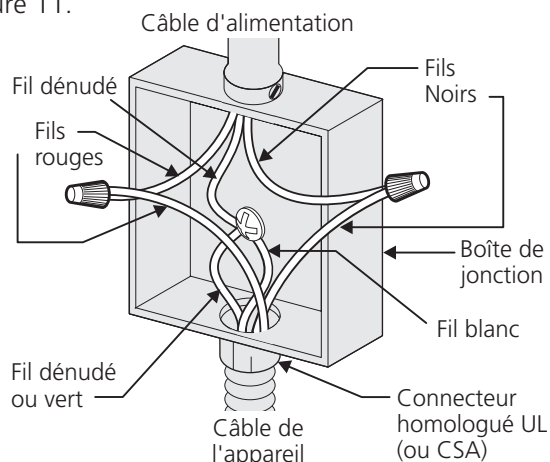


Figure 11

BOÎTE DE JONCTION À 3 FILS - MISE À LA TERRE

⚠ AVERTISSEMENT Le raccordement inexact d'un câble électrique d'aluminium aux fils de cuivre peut avoir pour conséquence un court-circuit ou un feu. Utilisez seulement des connecteurs spéciaux approuvés pour le raccord de fils en cuivre et à des fils en aluminium et suivez le procédé recommandé par le fabricant.

INSTRUCTIONS D'INSTALLATION POUR LES CUISINIÈRES 30" ET 36" À ALIMENTATION MIXTE (Modèles avec four électrique et table de cuisson à gaz)

6.B Pour une connexion à une boîte de jonction à 4 conducteurs

Si l'appareil est utilisé dans une nouvelle installation de circuit branché (1996 NEC), maison mobile, véhicule récréatif, ou où les codes locaux ne permettent pas la mise à terre par le fil neutre (blanc), vous devez brancher l'appareil à un câble à 4 fils (voir Figure 12):

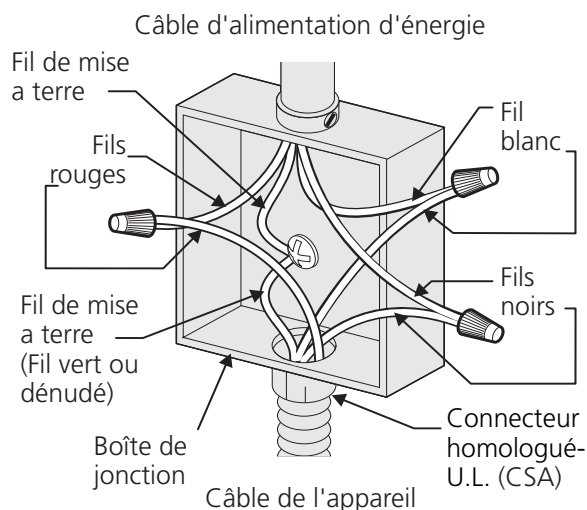


Figure 12

BOÎTE DE JONCTION À 4 FILS - MISE À LA TERRE

1. Débranchez l'alimentation.
2. Dans la boîte de jonction: Reliez les fils de l'appareil à ceux du câble d'alimentation tel que montré à la figure 12.

N'UTILISEZ PAS le tuyau de la ligne de gaz pour la mise à la terre de l'appareil. NE BRANCHEZ PAS l'appareil tant et aussi longtemps qu'il n'est pas mis à la terre de façon permanente. Branchez le fil de mise à la terre avant d'appliquer le courant à l'appareil (Figure 12).

7. Emplacement de la cuisinière

⚠ MISE EN GARDE Pour éliminer les risques de brûlures ou de feu, en étendant le bras au-dessus des surfaces de cuisson chaudes, évitez d'installer des armoires au-dessus de la cuisinière. Si vous devez en installer, il est possible de réduire le risque en plaçant une hotte pour cuisinière qui excède horizontalement d'un minimum de 5" (12.7 cm) la base de l'armoire.

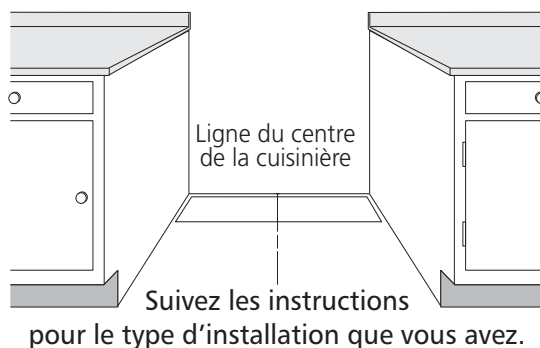


Figure 13

Si la cuisinière est installée entre deux armoires, dessinez une ligne au centre des armoires (voir figure 13). **Si le dos de l'appareil n'est pas appuyé au mur** (la position de la prise d'alimentation ne permet peut-être pas à l'appareil de se reculer complètement au mur), dessinez une ligne à l'endroit où l'arrière de l'appareil sera positionné. Installez maintenant le support anti-bascule (voir "Installation du support anti-bascule" à la page 36).

Si la cuisinière est installée avec une armoire d'un côté seulement, placez l'appareil à la position finale voulue. Dessinez une ligne sur le plancher le long de l'appareil du côté où il n'y a pas d'armoire. **Si le dos de l'appareil n'est pas appuyé au mur** (la position de la prise d'alimentation ne permet peut-être pas à l'appareil de se reculer complètement au mur), dessinez une ligne à l'endroit où l'arrière de l'appareil sera positionné. Installez maintenant le support anti-bascule (voir "Installation du support anti-bascule" à la page 36).

Si la cuisinière est installée sans armoire, placez l'appareil à sa position finale. Dessinez une ligne sur le plancher le long de l'appareil de chaque côté. **Si le dos de l'appareil n'est pas appuyé au mur** (la position de la prise d'alimentation ne permet peut-être pas à l'appareil de se reculer complètement au mur), dessinez une ligne où l'arrière de l'appareil sera positionné. Installez maintenant le support anti-bascule (voir "Installation du support anti-bascule" à la page 36).

INSTRUCTIONS D'INSTALLATION POUR LES CUISINIÈRES 30" ET 36" À ALIMENTATION MIXTE (Modèles avec four électrique et table de cuisson à gaz)

8. Alimentation en gaz - Installation

Cet appareil a été conçu en usine pour fonctionner au gaz naturel avec une pression d'admission de 4" (10.16 cm) de colonne d'eau (1.0 kpa). Un régulateur de pression convertible est branché avec la rampe à gaz de la cuisinière, et doit rester connecté en série avec le tuyau d'alimentation. Le régulateur est situé tel que montré à la figure 2 et est accessible par l'avant de l'appareil.

Pour un fonctionnement normal, la pression intérieure maximale au régulateur ne doit pas être supérieure à 14" (35.56 cm) (3.5 kpa) de pression de colonne d'eau.

La pression d'admission au régulateur doit être supérieure d'au moins un pouce (ou de .25 kpa) au régulateur ajusté à la rampe à gaz. Pour le gaz naturel, le régulateur étant ajusté à 4" (10.16 cm) de pression (1.0 kpa), la pression d'admission doit être d'au moins 5" (12.7 cm) de colonne d'eau (1.25 kpa). Pour le gaz propane, le régulateur étant ajusté à 10" (25.4 cm) de pression (2.5 kpa), la pression d'admission doit être d'au moins 11" (27.9 cm) (2.75 Kpa).

La ligne d'alimentation doit être munie d'un robinet d'arrêt approuvé (voir Figure 7). Ce robinet doit se trouver dans la même pièce que la cuisinière et à un endroit qui permet de l'ouvrir et de le fermer facilement. Ne bloquez pas l'accès au robinet d'arrêt; il est destiné à ouvrir et à fermer l'alimentation en gaz de l'appareil. Ouvrez le robinet de la ligne d'alimentation en gaz. Attendez quelques minutes pour permettre au gaz de circuler à travers la canalisation de gaz.

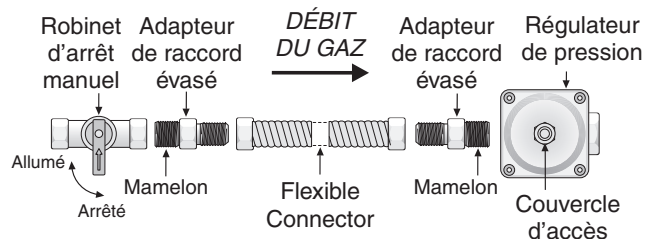
L'alimentation en gaz entre le robinet d'alimentation manuel peut-être raccordée par un tuyau métallique flexible homologué AGA/CGA ou un tuyau rigide sujet à l'application des normes locales.

La tuyauterie d'alimentation en gaz peut être installée à travers le mur latéral de l'armoire de droite. L'armoire à droite de l'appareil est l'endroit idéal pour l'installation du robinet d'alimentation principal.

Branchement de l'alimentation en gaz

Le régulateur est déjà installé sur l'appareil.

⚠ MISE EN GARDE Ne serrez pas trop les raccords. Le régulateur est moulé sous pression. Un serrage excessif pourrait le fissurer et provoquer une fuite de gaz susceptible de causer un incendie ou une explosion.



Tous les branchements doivent être serrés à l'aide d'une clé

Figure 14

Assemblez le connecteur flexible du conduit d'alimentation en gaz au régulateur de pression dans l'ordre qui suit:

1. Robinet d'arrêt manuel (non fourni)
2. Mamelon ½" (non fourni)
3. Adaptateur de raccord évasé ½" (non fourni)
4. Connecteur flexible (non fourni)
5. Adaptateur de raccord évasé ½" (non fourni)
6. Mamelon ½" (non fourni)
7. Régulateur de pression (fourni)

Le conduit d'alimentation en gaz branché au robinet d'alimentation doit être un tuyau solide de ½" (1.27 cm) à ¾" (1.9 cm).

L'utilisateur doit connaître l'emplacement du robinet d'alimentation principal et être en mesure d'y accéder facilement.

Lorsqu'un conduit de gaz flexible est utilisé, laissez suffisamment de mou pour être en mesure de dégager la cuisinière de l'ouverture pour le nettoyage et l'entretien.

NOTE : Veillez à ce que le conduit flexible ne soit pas coincé entre le mur et la cuisinière.

Utilisez des pâtes à joints de tuyauterie fabriquées pour utilisation avec gaz naturel et propane, pour sceller les connexions de gaz. Si des connecteurs flexibles sont utilisés, assurez-vous qu'ils ne sont pas tordus.

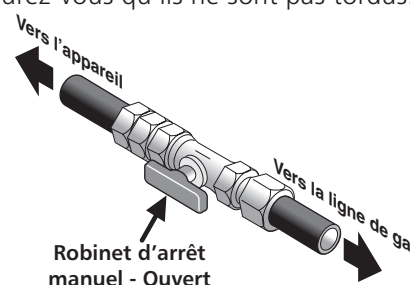


Figure 15

La ligne de gaz doit être munie d'un robinet d'arrêt approuvé. Ce robinet doit être situé dans la même pièce que l'appareil et à un endroit où il sera facile à ouvrir et fermer. Ne bloquez pas l'accès au robinet d'arrêt manuel. Ce robinet permet d'allumer ou d'éteindre l'entrée de gaz à la cuisinière.

Une fois l'installation du régulateur complétée, ouvrez le robinet d'arrêt. Attendez quelques minutes pour permettre au gaz de circuler à travers la ligne d'alimentation.

Veillez à ce qu'il n'y ait pas de fuites. Après avoir raccordé l'alimentation en gaz à la cuisinière, à l'aide d'un manomètre vérifiez si le système ne fuit pas. Si vous ne disposez pas d'un manomètre, ouvrez l'alimentation en gaz et utilisez un liquide détecteur de fuites (ou du savon et de l'eau) sur tous les joints et les raccords. Des bulles au niveau des raccords indiqueront que ces derniers présentent des fuites.

INSTRUCTIONS D'INSTALLATION POUR LES CUISINIÈRES 30" ET 36" À ALIMENTATION MIXTE (Modèles avec four électrique et table de cuisson à gaz)

⚠ AVERTISSEMENT N'utilisez pas de flamme nue pour vérifier les fuites de gaz. La détection des fuites à l'aide d'une flamme pourrait provoquer un incendie ou une explosion.

Toutes les ouvertures à travers le plancher ou le mur où la cuisinière sera installée doivent être scellées.

Resserrez tous les raccords (si nécessaire), afin de prévenir les fuites de gaz dans la plaque de cuisson ou le tuyau d'alimentation.

Débranchez la cuisinière et fermez son robinet d'alimentation en gaz lors de toute vérification de pression du circuit d'alimentation de gaz à une pression supérieure à ½ lb/po2 (3.5 kpa ou 14" (35.56 cm) colonne d'eau).

Isolez la cuisinière du réseau d'alimentation en gaz en fermant son robinet d'arrêt manuel, lors de toute vérification de pression du circuit d'alimentation en gaz à une pression inférieure ou égale à ½ lb/po2 (3.5kPa ou 14" colonne d'eau).

9. Conversion au gaz propane

Cet appareil fonctionne au gaz naturel ou au gaz propane. Il est réglé en usine pour fonctionner au gaz naturel.

Si vous désirez convertir votre cuisinière au gaz propane, servez-vous des orifices fixes fournis dans l'enveloppe portant l'inscription «**POUR CONVERSION AU GAZ PROPANE**» située à l'arrière de l'appareil près de la valve du régulateur de l'appareil.

Un installateur qualifié doit effectuer la conversion conformément aux instructions du fabricant et à tous les codes et règlements applicables. Si ces instructions ne sont pas suivies à la lettre, il pourrait en résulter de sérieuses blessures corporelles ou des dommages matériels. L'entreprise d'installation qualifiée qui effectue ce travail assume la responsabilité de la conversion.

⚠ AVERTISSEMENT Si on n'effectue pas la conversion correctement, il pourrait en résulter des blessures corporelles et des dommages matériels.

10. Déplacement de l'appareil en vue d'en faire le service ou de le nettoyer

Coupez l'alimentation électrique de l'appareil à la boîte de fusibles ou des disjoncteurs et fermez le robinet d'alimentation à gaz manuel. Assurez-vous que l'appareil est froid. Ouvrez la porte du four. Soulevez la cuisinière à l'avant et faites-la glisser hors de son gîte, tout en évitant de soumettre le conduit à gaz flexible à des contraintes excessives. Veillez à ne pas coincer le conduit à gaz flexible et le câble d'alimentation électrique lorsque vous remplacez la cuisinière. Fermez la porte du four et réalimentez le courant électrique et le gaz à la cuisinière.

11. Installation de la cuisinière

1. L'arrière de la cuisinière doit être appuyé directement contre le mur.
2. Pour réduire le risque que les murs latéraux deviennent chauds ou pour minimiser les possibilités qu'un feu survienne lors de situations anormales comme: les hautes températures ou l'utilisation des brûleurs sans ustensile, et pour être conforme aux normes de l'agence A.G.A.:
Pour la cuisinière 30", vous devez laisser un espace minimal de 7" (17.8 cm) de chaque côté de la surface de cuisson.
Pour la cuisinière 36", vous devez laisser un espace minimal de 9" (22.9 cm) de chaque côté de la surface de cuisson.

⚠ AVERTISSEMENT

Risque de charge excessive

- **2 personnes ou plus sont nécessaires pour installer ou déplacer la cuisinière.**
- **Si vous ne tenez pas compte de cet avertissement des blessures graves au dos ou ailleurs peuvent survenir.**

11.1 Mise à niveau de la cuisinière

1. Installez une grille au centre du four.
2. Déposez un niveau à bulle sur la grille (Figure 16). Prenez 2 lectures en plaçant le niveau en diagonale dans une direction, puis dans l'autre direction. Si nécessaire, ajustez les 4 vis de nivellement à l'aide d'une clé pour niveler l'appareil (reportez-vous à la Figure 21).
3. Glissez délicatement la cuisinière à son emplacement final et vérifiez si elle est encore de niveau. Si la cuisinière n'est plus de niveau, tirez-la hors du découpage et réajustez les vis de nivellement ou assurez-vous que le plancher est bien au niveau.

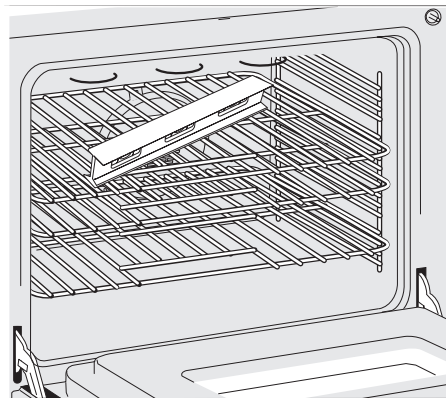


Figure 16

INSTRUCTIONS D'INSTALLATION POUR LES CUISINIÈRES 30" ET 36" À ALIMENTATION MIXTE (Modèles avec four électrique et table de cuisson à gaz)

11.2 Vérification du fonctionnement

Référez-vous au Guide de l'utilisateur inclus avec la cuisinière pour les directives de fonctionnement et pour l'entretien et le nettoyage de votre cuisinière.

Enlevez tout le matériel d'emballage du four avant de commencer les essais.

1. Couvertres et bases des brûleurs

Cet appareil est muni de brûleurs scellés tel que montré (Figure 17). Toutes les pièces sont actuellement aux bons endroits. Notez où elles vont. **Assurez-vous d'enlever tout le matériel d'emballage qui se trouve sous le brûleur double.** Les autres brûleurs sont fixes. Vérifiez que les brûleur soient correctement alignés et à niveau.

NOTE: Aucun réglage de brûleur n'est nécessaire avec ce genre de cuisinière.

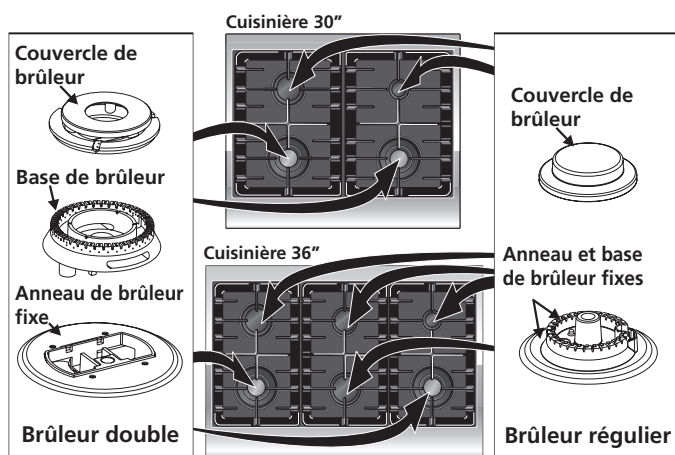


Figure 17

2. Branchez l'alimentation électrique et ouvrez le robinet principal d'alimentation en gaz.

3. Vérifiez les allumeurs

Il faut vérifier le fonctionnement des allumeurs électriques après que la cuisinière et les raccords du tuyau d'alimentation aient été eux-mêmes vérifiés relativement aux fuites et que la cuisinière ait été branchée à la prise murale. Pour vérifier si l'allumage est adéquat :

A. Appuyez sur le bouton de commande d'un brûleur de surface et tournez-le à la position «LITE». Vous entendrez les étincelles de l'allumeur électrique qui allume le brûleur.

B. Le brûleur de surface doit s'allumer lorsque le gaz est disponible au brûleur supérieur. En fonctionnement normal, chaque brûleur doit s'allumer dans un délai de quatre (4) secondes après que l'air ait été purgé des canalisations d'alimentation. Regardez si le brûleur est allumé.

C. Une fois le brûleur allumé, le bouton de commande doit être tourné à une autre position que LITE. Il existe des dispositifs d'allumage séparés pour chaque brûleur. Essayez chaque bouton séparément jusqu'à ce que tous les robinets de brûleur aient été vérifiés.

4. Réglez la position LOW des robinets (voir Figure 17) des brûleurs de surface réguliers (voir Figure 18):

- Appuyez et tournez le bouton de commande à LITE jusqu'à ce que le brûleur s'allume.
- Tournez rapidement le bouton à la position la plus basse (LOW).
- Si le brûleur s'éteint, remettez le bouton à la position arrêt (OFF).
- Enlevez le bouton de commande ainsi que l'anneau décoratif du brûleur de surface.
- Insérez un tournevis à pointe droite fine dans la tige creuse du robinet et insérez dans la tête de la vis. La hauteur de la flamme peut être augmentée ou diminuée en tournant la vis. Ajustez la flamme jusqu'à ce que vous puissiez tourner rapidement le bouton de LITE à la plus basse position (LOW) sans éteindre la flamme. Celle-ci devrait être aussi minuscule que possible sans s'éteindre.

Note: aucun réglage du mélange d'air n'est requis sur cette surface de cuisson.

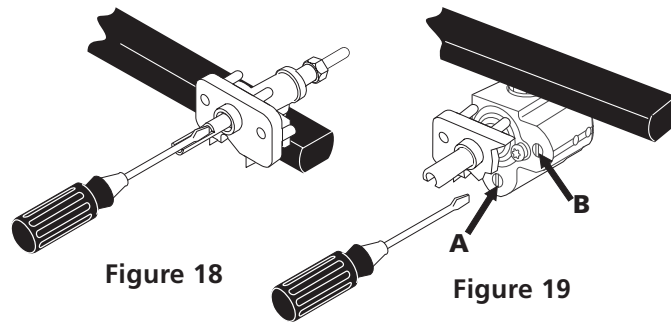


Figure 18

Figure 19

5. Réglez la position LOW des robinets (Figure 17) du brûleur de surface double (voir Figure 19):

Note: Sur ce type de valve, la position Low de chaque portion doit être réglée individuellement.

- Appuyez et tournez le bouton de commande à LITE jusqu'à ce que le brûleur s'allume.
- Tournez rapidement le bouton à la position la plus basse (LOW).
- Si le brûleur s'éteint, remettez le bouton à la position arrêt (OFF).
- Enlevez le bouton de commande et l'anneau décoratif du brûleur de surface
- La dimension de la flamme de la portion interne du brûleur peut être augmentée ou diminuée en tournant la vis **A** (voir Figure 19). Utilisez la vis **B** pour ajuster la dimension de la flamme de la portion externe du brûleur. Tournez la vis dans le sens inverse des aiguilles d'une montre pour augmenter la dimension de la flamme et dans le sens des aiguilles d'une montre pour diminuer la dimension de la flamme. Ajustez la flamme jusqu'à ce que vous puissiez tourner rapidement le bouton de LITE à la plus basse position (LOW) sans éteindre la flamme. Celle-ci devrait être aussi minuscule que possible sans s'éteindre.

Note: Aucun réglage du mélange d'air n'est requis sur cette surface de cuisson.

INSTRUCTIONS D'INSTALLATION POUR LES CUISINIÈRES 30" ET 36" À ALIMENTATION MIXTE (Modèles avec four électrique et table de cuisson à gaz)

6. Fonctionnement des éléments du four

Ce four est équipé d'un contrôleur électronique. Chacune des fonctions a été vérifiée à l'usine avant l'expédition. Nous vous suggérons cependant de vérifier une fois de plus le fonctionnement des commandes du contrôleur électronique. Référez-vous au [Guide de l'utilisateur](#) pour le mode de fonctionnement. Suivez les instructions sur les fonctions de l'horloge (Clock), de la minuterie (Timer), de la cuisson au four (Bake), au grill (Broil), par convection (Convection) et de nettoyage (Clean).

⚠ MISE EN GARDE Ne touchez pas aux éléments du four lorsque vous vérifiez les opérations. Ces derniers peuvent être assez chauds pour causer des brûlures.

Cuisson au four (bake) –Vérifiez que cette fonction fait chauffer le four. Vingt secondes après avoir réglé le four à cuisson au four, ouvrez la porte et sentez la chaleur sortant du four.

Cuisson au grill (Broil) – Lorsque le four est réglé à cuisson au grill (BROIL), l'élément supérieur du four doit devenir rouge.

Instructions de sécurité importantes

Pour réduire le risque de basculement de la cuisinière, protégez-la en installant les vis et le support anti-bascule fournis avec la cuisinière. Ils sont situés dans un sac de plastique dans le four. Si vous n'installez pas ce support anti-bascule, la cuisinière risque de basculer si un poids excessif est placé sur une porte ouverte ou si un enfant y grimpe. Les renversements de liquides chauds ou de la cuisinière peuvent provoquer de sérieuses blessures.

Suivez les instructions ci-dessous pour installer le support anti-bascule.

Si vous déplacez la cuisinière pour l'installer à un autre endroit, vous devez également déplacer le support anti-bascule pour l'installer avec la cuisinière.

Outils requis:

Tourne écrou de $\frac{5}{16}$ " (0,79 cm) ou tournevis à tête carrée;

Clé à molette;

Perceuse électrique $\frac{3}{16}$ " (0,48 cm);

Foret de $\frac{3}{16}$ " (0,48 cm) de diamètre;

Foret de maçonnerie de $\frac{3}{16}$ " (0,48 cm) diamètre (si l'installation se fait dans du béton).

	A	B
Modèle 30"	11 5/16 (28.7 cm)	2 1/2 (6.4 cm)
Modèle 36"	14 5/16 (36.4 cm)	1 5/8 (4.1 cm)

Convection– Lorsque le four est réglé à CONV. BAKE/ ROAST, le ventilateur de convection se met à tourner. Le ventilateur de convection arrête de tourner lorsque la porte du four est ouverte durant la cuisson par convection.

Lorsque tous les raccordements sont terminés - Vérifiez que toutes les commandes sont en position d'arrêt (OFF).

Avant d'appeler le service d'entretien

Réviser la liste de vérifications préventives et les instructions d'opération dans votre Guide de l'utilisateur. Vous saurez probablement du temps et de l'argent. La liste contient les événements ordinaires qui ne résultent pas de défauts dans le matériel ou la fabrication de cet appareil.

Référez-vous à la garantie et aux renseignements sur les services d'entretien dans votre **Guide de l'utilisateur** ou téléphonez au **1-877-4Electrolux (1-877-435-3287)**.

Instructions d'installation des supports anti-bascules

1. **Cuisinière 30"**: Installez le support à droite **OU** à gauche. **Cuisinière 36"**: Installez les supports à droite **ET** à gauche.
2. Les supports sont installés au sol à l'arrière. Assurez-vous que les vis ne pénètrent pas dans la plomberie ou le câblage électrique. Les vis fournies fonctionneront aussi bien dans du bois que dans du béton.
3. Dépliez le gabarit de papier et placez-le à plat sur le plancher, l'endos et les extrémités des côtés exactement à l'endroit où l'arrière et les côtés de la cuisinière seront placés lors de l'installation (utilisez le diagramme ci-dessous pour localiser les supports si le gabarit de papier n'est pas disponible).
4. Tracez sur le plancher l'emplacement des trous de montage indiqués sur le gabarit. Pour faciliter l'installation, des trous pilotes d'un $\frac{1}{2}$ " (1.3 cm) de profondeur et $\frac{3}{16}$ " (4.8 mm) de diamètre peuvent être percés dans le plancher.

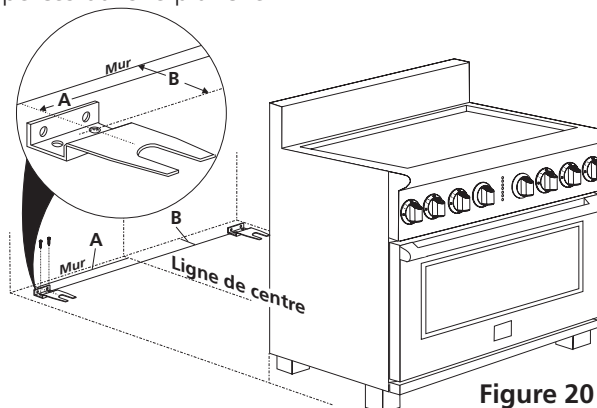


Figure 20

Cuisinière 30": Installez le support à droite **OU** à gauche.
Cuisinière 36": Installez les supports à droite **ET** à gauche.

INSTRUCTIONS D'INSTALLATION POUR LES CUISINIÈRES 30" ET 36" À ALIMENTATION MIXTE (Modèles avec four électrique et table de cuisson à gaz)

5. Enlevez le gabarit et placez les supports sur le plancher (voir figure 20). Alignez les trous dans les supports avec les trous tracés sur le plancher et fixez les supports à l'aide des vis fournies. Les supports doivent être fixés sur un plancher solide. Si vous les fixez à un plancher en béton, percez d'abord des trous pilotes de $\frac{3}{16}$ " (0.5 cm) de diamètre à l'aide d'un foret à maçonnerie de $\frac{3}{16}$ " (0.5 cm) diamètre.
6. Mettez la cuisinière à niveau au besoin, en ajustant les 4 pattes de nivellement à l'aide d'une clé à molette. Desserrez les vis retenant les pieds décoratifs et soulevez les pieds décoratifs pour avoir accès aux pattes de nivellement. Tournez la patte de nivellement dans le sens inverse des aiguilles d'une montre pour lever la cuisinière et dans le sens des aiguilles d'une montre pour abaisser la cuisinière (figure 21). Remplacez les pieds décoratifs à l'endroit désiré.
7. Avant de placer la cuisinière à sa position finale; prenez en note les numéros de modèle et de série de l'appareil pour référence future. Glissez l'appareil à sa position finale et assurez-vous que les

pattes de nivellement sont bien retenues par les supports. Il est possible que vous ayez à déplacer la cuisinière légèrement d'un côté à l'autre pour que les pattes de nivellement s'alignent avec les supports.

8. Après l'installation vérifiez visuellement si les supports sont bien engagés.

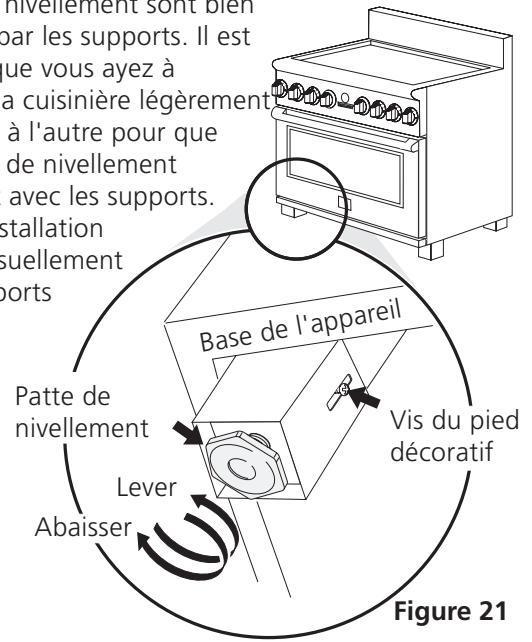
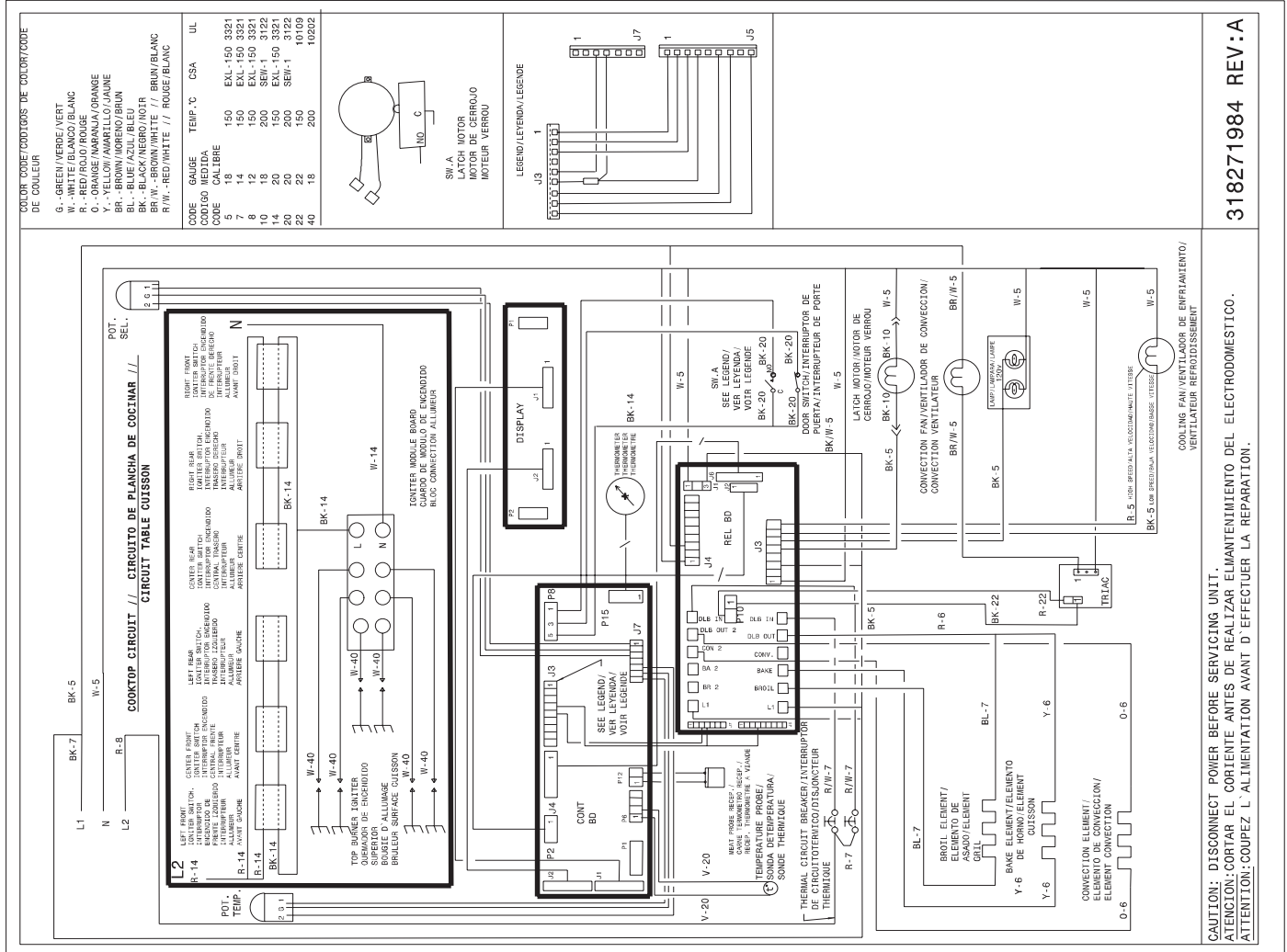


Figure 21

WIRING DIAGRAM - DIAGRAMA DE LA INSTALACIÓN ALÁMBRICA SCHEMA DE CÂBLAGE



318271984 REV: A

CAUTION: DISCONNECT POWER BEFORE SERVICING UNIT.
ATENCIÓN: CORTAR EL CORRIENTE ANTES DE REALIZAR EL MANTENIMIENTO DEL ELECTRODOMESTICO.
ATTENTION: COUPEZ L'ALIMENTATION AVANT D'EFFECTUER LA REPARATION.