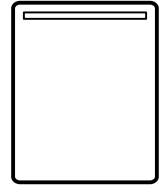


EI24ID35Q

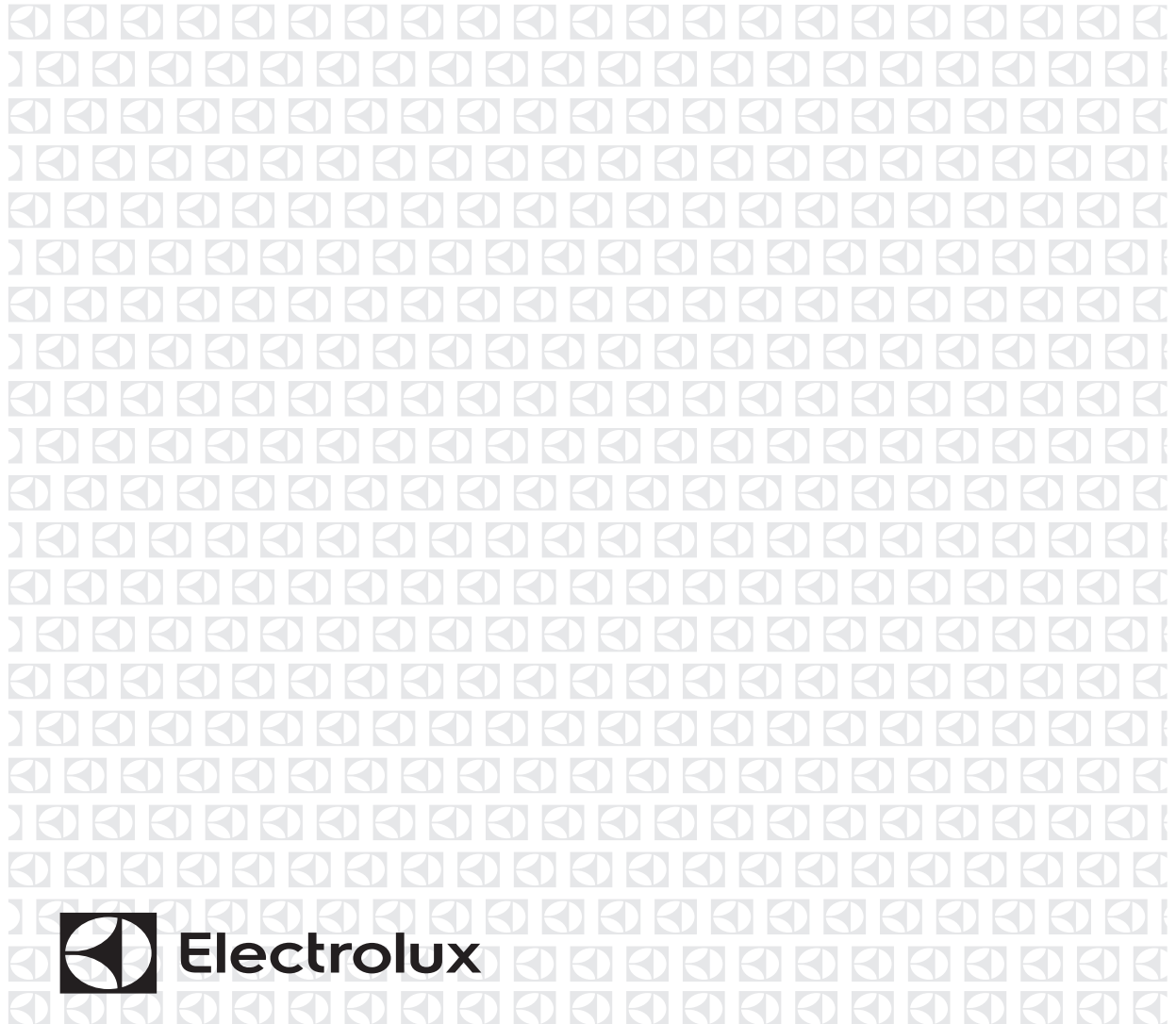


---

**EN** DISHWASHER  
**FR** LAVE-VAISSELLE  
**ES** LAVAVAJILLAS

---

**USE AND CARE GUIDE** 2  
**GUIDE D'UTILISATION ET D'ENTRETIEN** 20  
**GUIA DE USO Y CUIDADO** 41



## Table of contents

Finding Information.....	2
Important Safety Instructions.....	3
Feature Overview.....	4
Operating Instructions.....	5-7
Preparing & Loading Dishes .....	8-11
Dishwasher Dispenser & Detergents.....	12-14
Cleaning Filters.....	15
Dish Care & Winterizing .....	16
Solutions to Common Problems.....	17-18
Warranty .....	19
French.....	20
Spanish.....	41

## Please read and save this guide

---

Thank you for choosing Electrolux, the new premium brand in home appliances. This Use and Care Guide is part of our commitment to customer satisfaction and product quality throughout the service life of your new appliance.

We view your purchase as the beginning of a relationship. To ensure our ability to continue serving you, please use this page to record important product information.

## Keep a record for quick reference

---



---

Purchase Date

---

Model Number

---

Serial Number

Registering your product with Electrolux enhances our ability to serve you. You can register online at [www.electroluxappliances.com](http://www.electroluxappliances.com) or by dropping your Product Registration Card in the mail.

For toll-free telephone support in the U.S. and Canada:

**1-877-4ELECTOLUX (1-877-435-3287)**

For online support and Internet production information visit:

**<http://www.electroluxappliances.com>**

---

## **WARNING**

When using your dishwasher, follow basic precautions, including the following:

### For your Safety

- Use your dishwasher only as instructed in this Use and Care Manual.
  - This Manual does not cover every possible condition and situation that may occur. Use common sense and caution when installing, operating and maintaining any appliance.
  - NSF certified residential dishwashers are not intended for licensed food establishments.
  - **DISHWASHER MUST BE ELECTRICALLY GROUNDED.** This appliance must be connected to a ground metal, permanent wiring system, or an equipment-grounding conductor must be run with the circuit conductors and connected to the equipment-grounding terminal or lead on this appliance. Read the Installation Instructions for details.
  - This dishwasher is designed to operate on regular house current (120V, 60Hz). Use a circuit equipped with a 15 ampere fuse or circuit breaker. Use a 20 ampere fuse if dishwasher is connected with a food disposer.
  - Do not operate dishwasher unless all enclosure panels are in their proper place.
  - Keep young children and infants away from dishwasher when it is operating.
  - To reduce the risk of injury, do not allow children to play in or on the dishwasher.
  - Do not let children abuse, sit, stand or play on door or racks of a dishwasher.
  - Use only detergents and rinse agents recommended for use in a dishwasher.
  - Store dishwasher detergent and rinse agents out of the reach of children.
  - If the dishwasher drains into a food disposer, make sure disposer is completely empty before running dishwasher.
  - Do not wash plastic items unless marked: "Dishwasher Safe" or equivalent. Check with manufacturer for recommendations, if not marked. Items that are not marked dishwasher safe may melt and create a potential fire hazard.
- When loading items to be washed:
    - Locate sharp items and knives so that they are not likely to damage the door seal or tub.
    - Load sharp items and knives with the handles up to reduce the risk of cut-type injuries.
  - Do not tamper with controls.
  - Use care unloading the dishware when the **SANITIZE** option has been selected. Contents may be hot to the touch immediately after the end of cycle.
  - Under certain conditions, hydrogen gas may be produced in a hot water system that has not been used for 2 weeks or more. **HYDROGEN GAS IS EXPLOSIVE.** If hot water system has not been used for such a period, before using dishwasher, turn on all hot water faucets and let water flow from each for several minutes. This will release any accumulated hydrogen gas. **HYDROGEN GAS IS FLAMMABLE.** Do not smoke or use an open flame during this time.
  - Do not store or use combustible materials, gasoline or other flammable vapors and liquids in the vicinity of this or any other appliance.
  - Disconnect electrical power to dishwasher before servicing.
  - Repairs should be done by a qualified technician.
  - To avoid entrapment and/or suffocation, remove door or door latch mechanism from any dishwasher that is discarded or not in use.

## **WARNING**

To reduce the risk of fire, electrical shock or injury when using your dishwasher, follow the above basic precautions.

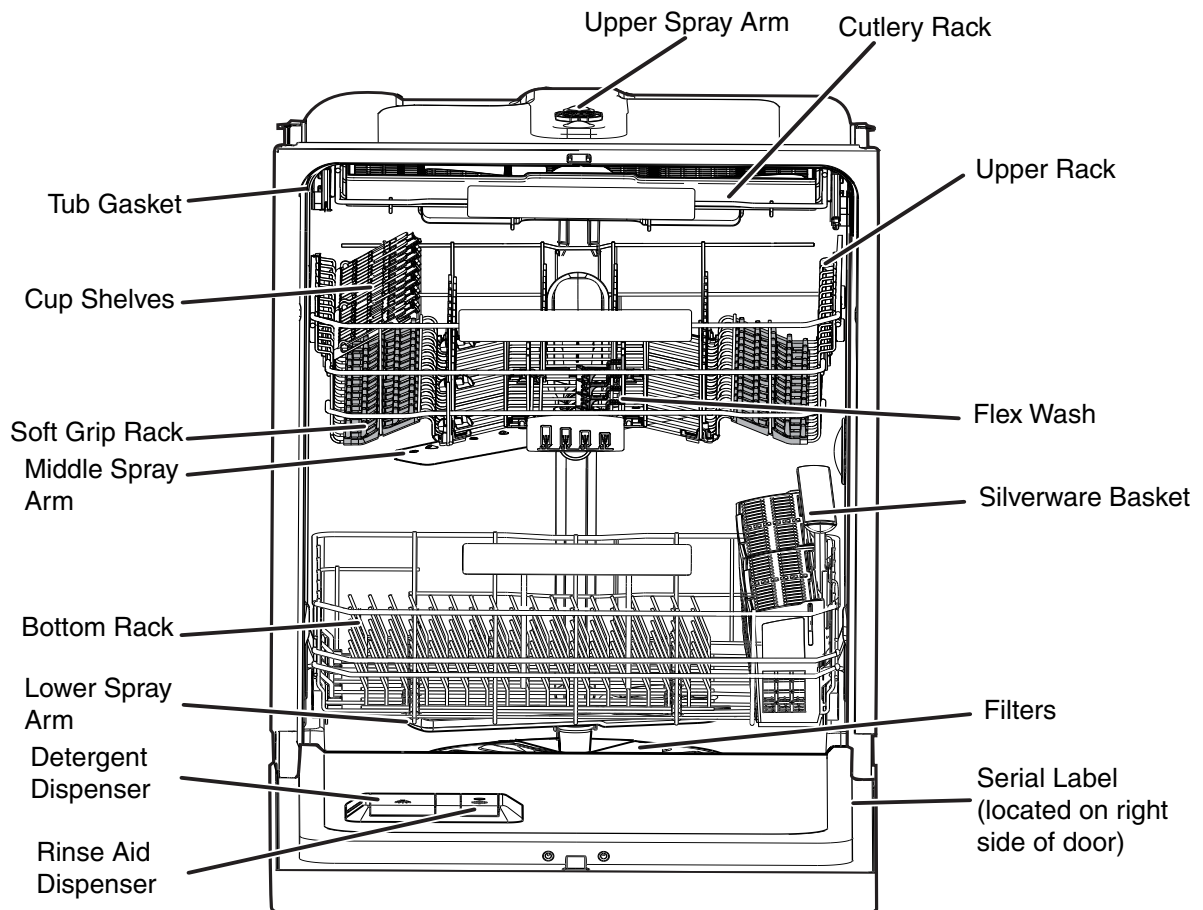
## **WARNING**

This symbol will help alert you to such dangers as personal injury, burns, fire and electrical shock.

**SAVE THESE INSTRUCTIONS**

## How your dishwasher cleans

Your dishwasher cleans by spraying a mixture of hot water and detergent through the spray arms against soiled surfaces. First, the dishwasher drains for a few seconds to remove soils dropped while loading, then fills with water covering the filter area. Water is then pumped through the spray arms. Soil particles go through and across the filter and down the drain as the water is pumped out. This series of steps are repeated as needed. The number of water fills varies with the cycle being used.



## Getting Started

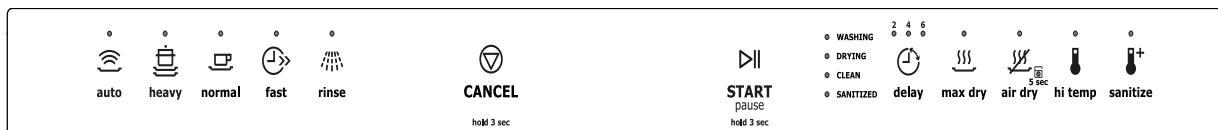
To run your dishwasher, follow these basic steps:

1. Load Dishwasher (See Preparing and Loading Dishes).
2. Add detergent (See Dishwasher Dispenser & Detergents).
3. Add Rinse Aid, if needed (See Rinse Aid).
4. Select desired CYCLE.
5. Select desired OPTION (See Energy Options Selections).
6. Run hot water faucet nearest dishwasher until water is hot. Turn water off.
7. To start, press START pad and close door.

### NOTE

The filters will need to be cleaned to maximize wash performance during the life of your dishwasher. See “Recommended Frequency to Clean Your Filters” for a cleaning schedule.





## Normal Operating Sounds

Your dishwasher uses energy efficient motors for the wash and drain portions of the cycle you select. Each cycle has a series of water fills and drains for washing and rinsing dishes. As each cycle begins, you may or may not hear the drain motor. You may also hear the splashing of water as it enters the tub and the spray arms as they rotate and circulate water. The wash motor often pulsates throughout the cycle, which varies water pressure and optimizes performance.

## Energy Use

The yellow energy guide label that came on your unit tells how much energy it would use in one year and how it compares to others that are available. The energy is based on the Normal cycles response to tests that apply soils and dishware that simulate the average use. Eight place settings of dishware and some serving pieces are used during the test. The total energy is based on running the average number of cycles per year, applying typical soil levels to the dishware and half the time, selecting the option of using extra energy to more fully dry the dishware. Actual energy and water use will depend upon the cycle and options you select.

This unit uses an in-line water heating element that is located under the tub. There is no exposed heater that plasticware might come in contact with or that is accessible to touch. The heat is taken to the dishware through the heated water. For this reason, plastic dishware may be placed where it best fits in either the top or bottom rack. Temperatures are uniform throughout the dishwasher.

If the user prefers to save energy and dry the dishes by hand they select air dry instead of heated dry. Air dry is still an option. If you prefer to spend slightly more energy to get the dishes drier then turn the air dry option off. In response the wash and rinse temperatures in the cycle will be increased.

This will help the cleaning and it will also get the dishwasher hotter. When the final drain removes all standing water, the extra heat stored in the dishware will act to evaporate the remaining water.

Your unit provides a selection of cycles. In general, the more water used by a cycle and the hotter the temperatures it reaches the more energy that it uses. Several cycles, such as the Normal cycle will change their response based on soil level, options selected, and ambient conditions. The Normal cycle is good for all around use. Other cycles are focused toward special use like the Heavy cycle that is designed for heavily solid cookware.

## Wash Cycle Selections

Cycle times are approximate and vary by options selected. Hot water is necessary to activate dishwasher detergent and melt fatty food soils.

An automatic sensor checks the water temperature for the main wash of each cycle. When HI-TEMP WASH is selected, the sensor checks for an even higher temperature. Run hot water in a faucet nearest the dishwasher until water is hot before starting.

## Cycle Selections

The Smart Sensor checks the soil level on your dishes in the Auto, Normal and Eco cycles. Cycle time and water usage will vary based on the amount of soil on the dishes.

### Auto

The dishwasher's Smart Sensor technology will determine the type of cycle required to clean the dishes and will clean more efficiently every time. When a partial load of lightly soiled dishes are placed in the unit, a wash cycle similar to a short wash will automatically be performed. When a full load of heavily solid dishes are placed in the unit, a heavy wash cycle will automatically be performed. Water usage ranges from approximately 3.0 to 7.4 gallons. Wash time ranges from approximately 118 to 200 mins.

### Heavy

For pots, pans, casserole dishes and dinnerware with dried-on or baked-on soils. Water usage ranges from approximately 7.1 to 8.1 gallons. Wash time ranges from approximately 129 to 189 mins.

### Normal

For regularly soiled dishes and silverware. Water usage ranges from approximately 3.0 to 7.4 gallons. Wash time ranges from approximately 118 to 200 mins.

### Rinse

For rinsing dishes that will be washed later. Water usage is approximately 2.2 gallons. Cycle time is approximately 15 mins.

### Fast

For regularly soiled and pre-rinsed dishes and silverware. Water usage is approximately 4.5 gallons. Wash time is approximately 30 mins.

### NOTE

Opening the door during normal operation will only pause the selected cycle.

## Energy Option Selections

### Hi-Temp

When HI-TEMP option is selected, the dishwasher heats water in the main wash to approximately 140°F (60°C).

This increase in water temperature helps dishwasher detergent remove food, grease and soil from dishes more effectively and aids in drying. HI-TEMP option can only be used with AUTO, HEAVY, and NORMAL cycles.

### Sanitize

To sanitize your dishes and glassware, select the SANITIZE option. This option heats the water temperature in the final rinse to 157°F (69.4°C) and maintains that temperature for 7 minutes. SANITIZE is available in Auto, Heavy, and Normal cycles. Only these sanitization cycles have been designed to meet NSF requirements.

The cycle time will be extended until the proper water temperature is reached. Washing action will continue during the water heating delay. For best results, the incoming water temperature should be at least 120°F (49°C).

If the SANITIZE option is selected, the LED above the pad comes on. The sanitization criteria may not be satisfied if there is an interruption of the cycle, a power failure occurs, or if incoming water temperature is below 120°F (49°C).

### Child Lock Controls/Air Dry

To prevent children from accidentally changing the dishwasher cycle or starting the dishwasher, lock the dishwasher controls by pressing the AIR DRY pad until "lock" LED is on. The controls are locked and no new selections can be made until the lock is released. To unlock the controls, press the AIR DRY pad until "lock" LED turns off.

### Max Dry

MAX DRY is available on Auto, Heavy, and Normal cycles. The cycle time will increase when MAX DRY option is selected.

## Operation Selection

### Delay

The Delay Start option allows you to automatically delay starting your dishwasher from 2-4-6 hours.

Press DELAY pad until the LED of the desired DELAY start is reached. If the door is opened while the DELAY time is counting down, the DELAY LED will blink.

To cancel the DELAY option and begin the cycle before the delay period is over, press the CANCEL pad and then the START pad.

### Start/Pause

To start a cycle, press the START pad until you hear a tone. The cycle starts when door is closed.

### Cancel

To cancel a cycle at anytime, open the door and press the CANCEL pad until you hear a tone. The last cycle selected will be displayed. If desired, a new cycle can now be selected by pressing START pad and upon closing the door the cycle will begin.

### **NOTE**

Your unit has DishSense™ Technology that is used to understand how heavily soiled the dish load is so the cycle can be automatically adjusted to the appropriate response. This helps to prevent energy waste. The sensor is calibrated at the end of the cycle. For the first cycle after power is applied (when first installed or after a power failure) the sensor will not be calibrated and so cannot determine the soil load. Therefore, your unit will provide a response suitable for heavy soils on the first run after power is restored. This will assure that whatever is loaded will get cleaned. Energy use during this first run may be higher than would be typical.

## Status Indicator Lights

The WASHING Status Light comes on at the beginning of the cycle and remains on until end of the wash cycle.

The DRYING Status Light comes on at the beginning of the dry cycle and remains on until end of the cycle.

The CLEAN Status Light will come on at the end of the cycle and will remain on until the door is opened or any key is pressed. Once the door is opened, the CLEAN Status Light will stay on for 15 seconds and then turn off.

If the SANITIZE option is selected and NSF requirements are achieved, the SANITIZED Status Light will come on at the end of the cycle and will remain on until the door is opened or any key is pressed. Once the door is opened, the SANITIZED Status Light will stay on for 15 seconds. If the SANITIZE option is selected but NSF requirements are not achieved, the SANITIZED Status Light will not come on.

## Error indications

In the unlikely event the dishwasher malfunctions, the 3 Delay LEDs blink constantly. If the Hi-Temp LED blinks intermittently 1 time refer to “Dishwasher won’t run or fill” and try to solve the problem. If the Hi-Temp LED blinks 2 times refer to “Dishwasher does not drain properly” and try to solve the problem. If, after the check, the problem remains, or if the LEDs are still blinking, contact the **Electrolux Customer Care Center at 1-877-435-3287**. They will be able to provide assistance in troubleshooting the problem and/or locating an authorized service technician, if needed.

## NOTE

Racks and Features in your dishwasher model may vary in appearance from illustrations in this manual.

## Dish Preparation

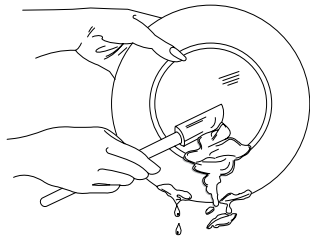
Scrape away large pieces of food, bones, pits, toothpicks, etc. The continuously filtered wash fluid will remove remaining food particles. Burned-on foods should be loosened before loading. Empty liquids from glasses and cups.

Foods such as mustard, mayonnaise, vinegar, lemon juice and tomato based products may cause discoloration of stainless steel and plastics if allowed to sit for a long period of time. Unless the dishwasher is to be operated at once, it is best to pre-rinse or use the rinse only cycle to rinse off these food soils.

Load racks so that large items do not prevent the detergent dispenser from opening.

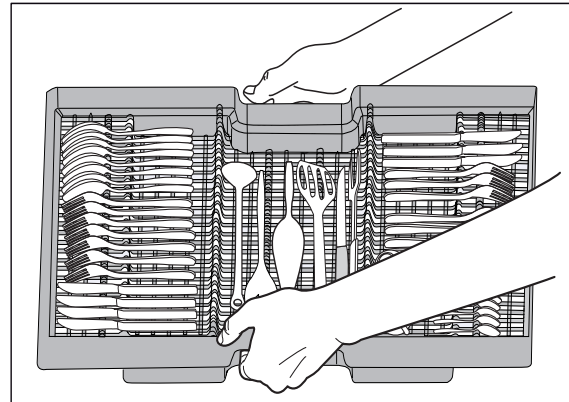
Check manufacturer's recommendations before washing items in question.

If the dishwasher drains into a Food Disposer, be sure disposer is completely empty before starting dishwasher.



## Loading the Cutlery Rack

The Cutlery Rack is designed for flatware and most cooking or serving utensils. Heavily soiled utensils or items with baked on foods should be placed in the upper rack or silverware basket for best washing performance. The separators on the cutlery racks help keep flatware separated to avoid damage and improve cleaning.



## Loading the Upper Rack

Features and appearance of racks and silverware basket may vary from your model.

The upper rack is designed for flexibility in loading a wide variety of items including cups, glasses, stemware, small plates, bowls, etc.

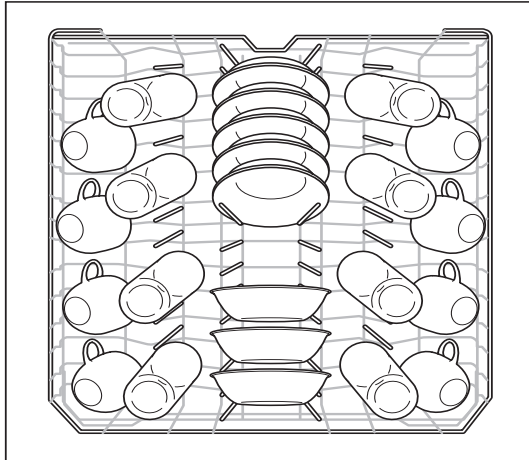
Load glasses and plastic items in Upper rack only.

Load items with open end facing down for better cleaning and draining.

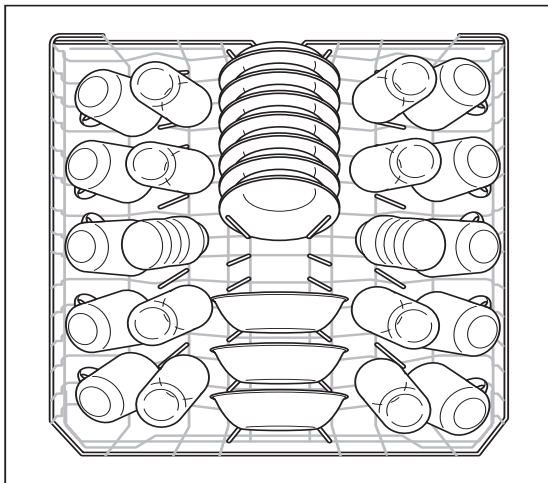
Damage may occur if delicate items touch each other during dishwasher operation.

Long-handled knives and utensils can be placed in Upper rack.

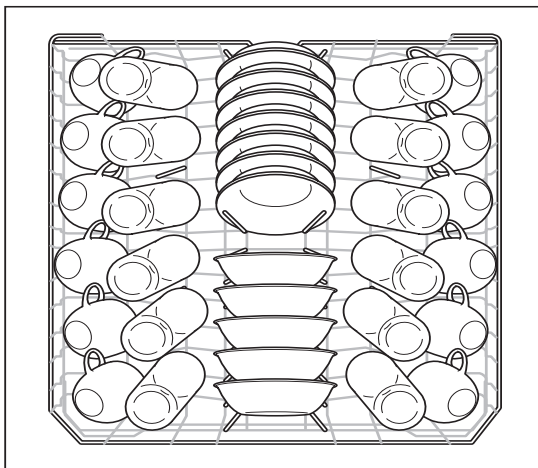
Be sure nothing protrudes through the bottom of the rack to block rotation of middle spray arm.



8 place settings standard loading pattern



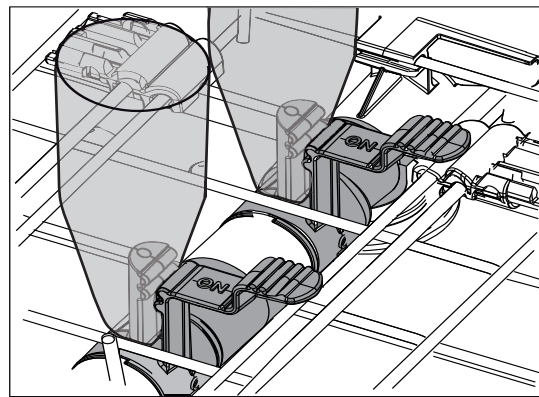
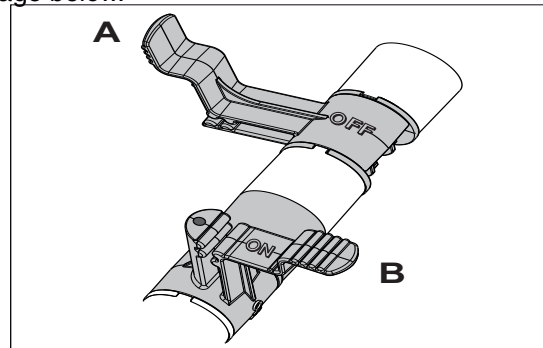
10 place settings standard loading pattern



12 place settings standard loading pattern

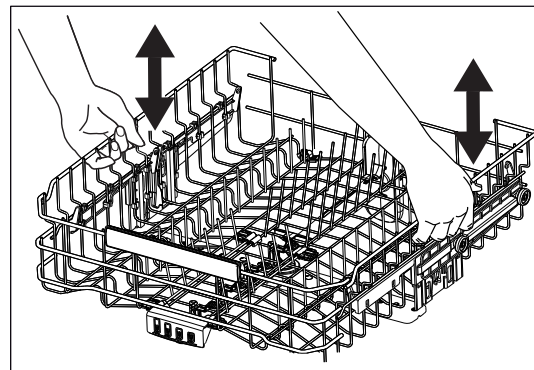
## Flex Wash

The Flex Wash system gives you the ability to wash the inside areas of baby bottles, narrow glassware and other items. To turn this feature on turn these clips to have them pointing upward (B). To turn off just slide them back down toward the rack (A). See image below.



## Adjustable Upper Rack

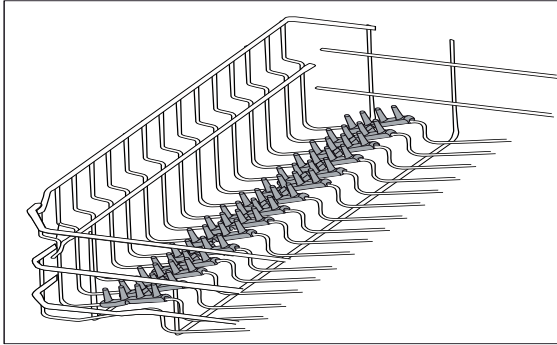
The top rack height can be easily adjusted to accommodate loading taller dishes in either rack. To raise the rack to the upper position, lift rack until both sides are at the same height and the rack will secure in place. Ensure that the rack remains level from front to back with both sides at the same height. To lower rack lift the rack slightly then push down and release.





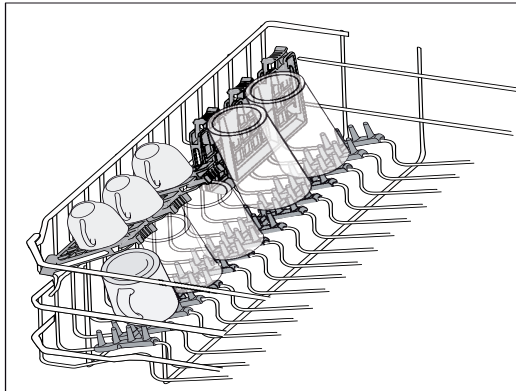
## Soft Grip Rack

The Soft Grip Rack is used to secure in place glassware and those plastic items that may move around with the water from the spray arm.

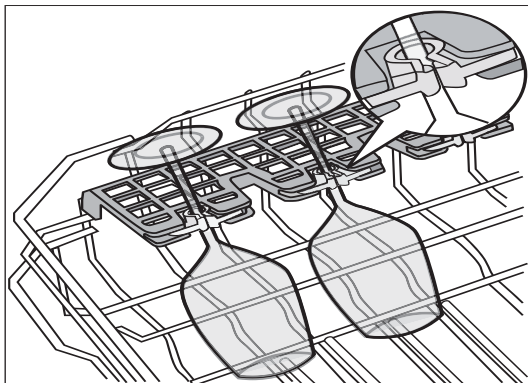


## Cup Shelf/Stemware Holders

The Cupshelf holder can be folded down to be used to load two levels of cups, juice glasses, and other short items or fold down both and use for long items such as utensils and spatulas. Fold up to load tall glasses.



The Stemware holder is used to securely hold your wine glasses in place for the best wash. To properly secure you glass simply press the stem of the glass into the center of the Cupshelf the plastic pieces will secure around the stem to hold the glass in place.



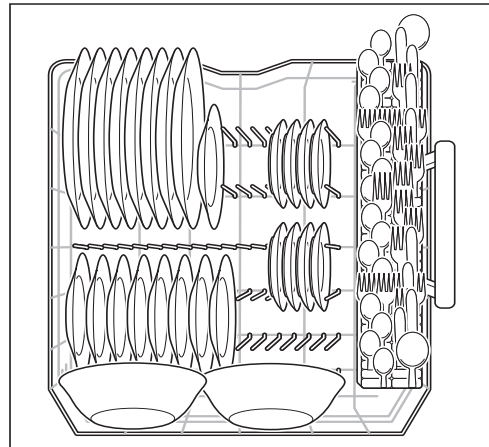
## Loading the bottom Rack

Racks and Features in your dishwasher model may vary in appearance from illustrations in this manual.

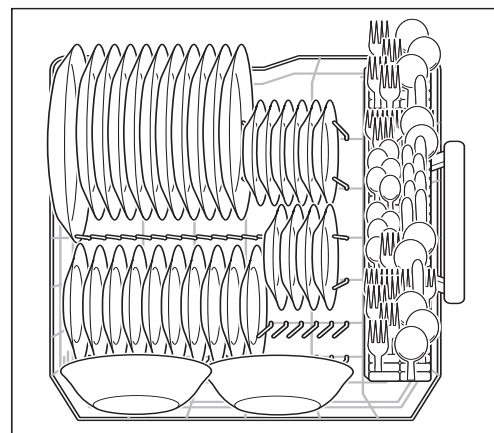
The lower rack is best for plates, saucers, bowls, and cookware. Large items should be placed along the edge so they do not block the spray arm rotation. For best results, place bowls, casseroles, and sauce pans with soiled surface facing down or toward the center. Tilt slightly for better drainage.

Make sure tall items do not block spray arm rotation.

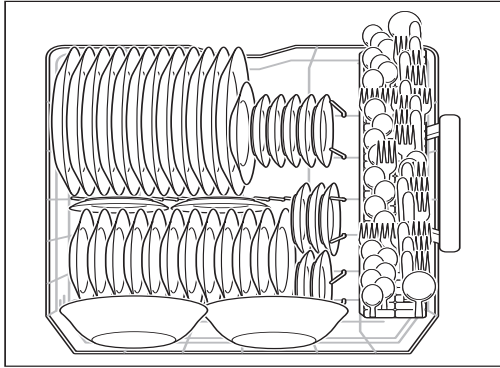
Be sure pan handles do not protrude through the bottom of the rack and block the spray arm rotation.



8 place settings standard loading pattern



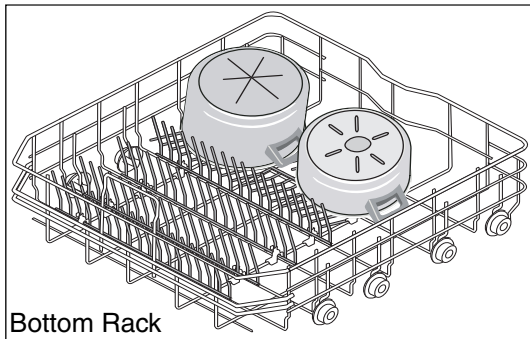
10 place settings standard loading pattern



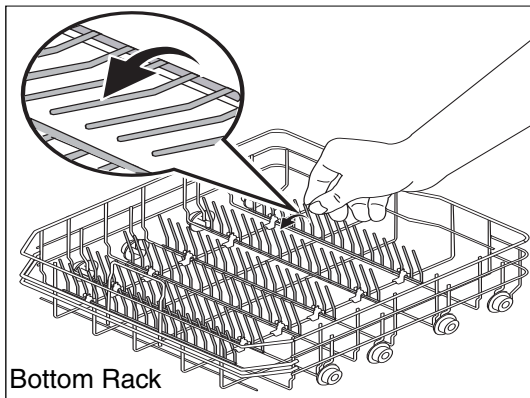
12 place settings standard loading pattern

## Fold-down Tines Bottom Rack

The fold-down tines in the top and bottom racks makes it easy to load those extra large and hard-to-fit items. The tines may be left up for normal use or folded down for more flexible loading.



Bottom Rack



Bottom Rack

## Loading the Silverware Basket

### CAUTION

**TO AVOID CUT INJURY:** Load sharp items (knives, skewers, etc.) pointing down. Failure to do so may result in injury.

Features and appearance of racks and silverware basket may vary from your model.

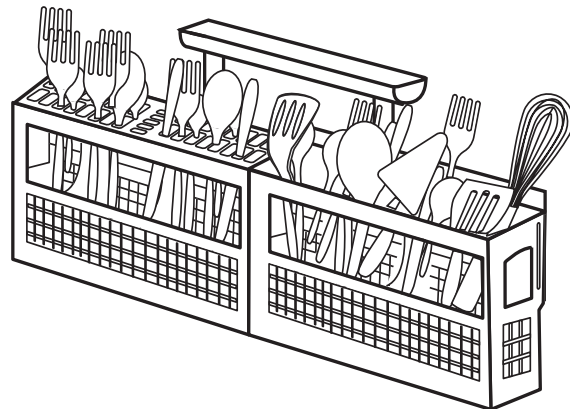
Load the silverware basket while it is in the bottom rack or take the basket out for loading on a counter or table.

In some models small items like baby bottle caps, jar lids, corn cob holders, etc., Can be placed in a covered section. Close the cover to hold small items in place.

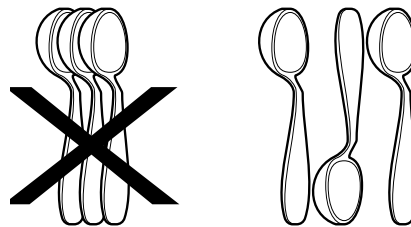
Use suggested loading patterns, as shown, to increase washability of the silverware.

Be sure nothing protrudes through bottom of basket or rack to block the spray arm.

Do not mix silver and stainless to avoid damaging the silver finish.



When covers are up, mix items in each section of the basket with some pointing up and some down to avoid nesting. Water spray cannot reach nested items.



## Adding a dish

To add or remove items after wash cycle starts:

Unlatch door and wait a few seconds until wash action stops before opening.

Add the item and close the door firmly to latch and resume cycle.



## Filing the Detergent Dispenser

The detergent dispenser has one covered cup. The covered cup opens automatically to release detergent.

- Use only fresh automatic dishwashing detergent. Other detergents may cause oversudsing.
- When using automatic dishwashing detergent tabs, place one tab in main wash cup and close.
- Add detergent just before starting cycle.
- Store detergent in a cool, dry location. Moist or caked detergent may not dissolve properly.

### CAUTION

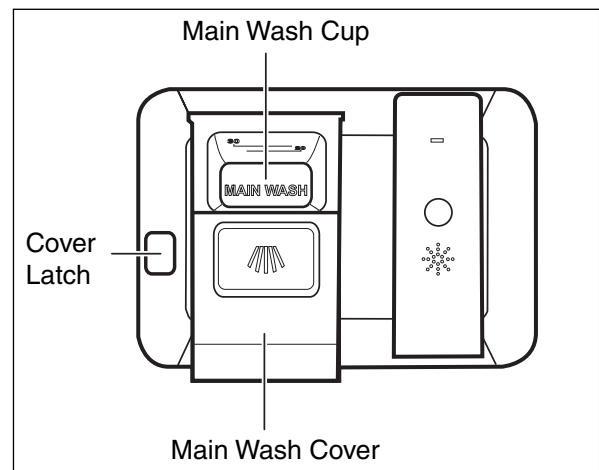
The use of industrial grade detergent can damage parts of the dishwasher leading to damage to the unit and surrounding property. Use only household grade automatic dishwasher detergent.

### NOTE

Hard water may cause lime deposit buildup on the interior of the dishwasher. For cleaning instructions see “Removing Spots and Film” section.

## How much Detergent to use

The amount of detergent to use depends on the water hardness. Water hardness is measured in grains per gallon. Using too little detergent can result in poor cleaning and hard water filming or spotting. Using too much detergent in soft water can cause etching to some glassware which is surface damage that appears like a film but cannot be wiped off. Your local water company, water softener company or county extension agent can tell you the water hardness in your area.



### NOTE

Detergent tablets and All-In-One packs may not dissolve completely if used with the Quick Wash cycles. If one of these products are used, place the tab or pack directly on the bottom of the tub in a corner before starting the dishwasher, rather than placing these products in the dispenser.

### NOTE

To achieve the best results from your dishwasher, visit [www.dishwashingexpert.com](http://www.dishwashingexpert.com) for general tips regarding the performance and operation of your dishwasher.

## Dosage of detergent

Place a single detergent tablet or packet into the detergent dispenser compartment.

**Detergent Usage Chart**

Water Hardness	Soft Water (0-3 grains)	Medium Hard Water (4-8 grains)	Hard Water (9-12 grains)
Amount (teaspoons)	4 teaspoons	6 teaspoons	8 teaspoons
Dispenser cup level:	First Line	Second Line	Full

### **NOTE**

For very hard water, detergent alone may not be enough. A water softener is recommended to improve water quality and dishwashing performance. Try adding more detergent at the beginning of the main wash portion of the cycle. As a rule, use 1 teaspoon for each grain above 12. Unlatch the door, open slowly add detergent to the bottom of the tub. Close the door to latch and the dishwasher will continue through the cycle.

## Rinse Aid

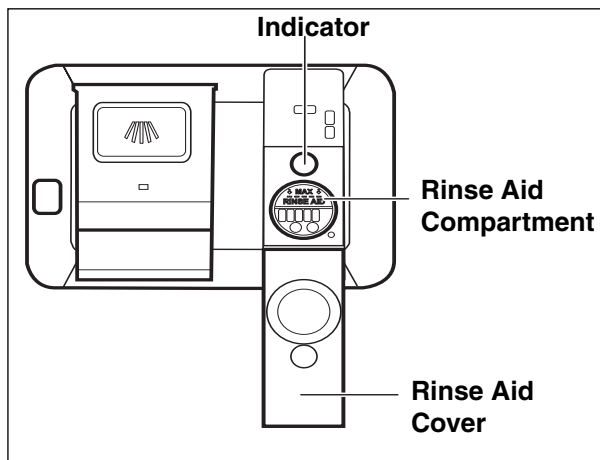
Rinse aid greatly improves drying, reduces water spots, filming, and lubricates wash arm bearing for proper rotation. With it water “sheets” off dishes rather than forming water droplets that cling and leave spots.

A dispenser, located next to the detergent cup, automatically releases a measured amount of rinse aid during the last rinse. If spotting and poor drying are problems, increase the amount of rinse aid dispensed. The indicator will be dark when full and will show clear when it is time to refill.

To add liquid rinse aid, open the cover. Pour in rinse aid until liquid touches the indicated fill level. Close the cover.

Do not overfill since this can cause oversudsing. Wipe up any spills with a damp cloth.

The dispenser holds enough for 11 to 66 washes, depending on setting.



**Not selecting the AIR DRY option in combination with rinse aid will enhance drying performance. The energy required to use the AIR DRY option saves pennies per cycle. You may choose to select the AIR DRY option; however you will have items in your dish load that will not be completely dry at the end of the cycle.**

## How to adjust the rinse aid dosage

The rinse aid dosage is indicated by the flashing of LEDs: HI-TEMP, SANITIZE, AIR DRY and MAX DRY. Press and hold the RINSE pad for 5 seconds until one of the following combinations of LEDs are flashing:

Level 1: MAX DRY LED flashes

Level 2: MAX DRY and AIR DRY LEDs flash

Level 3: MAX DRY, AIR DRY and HI TEMP LEDs flash

Level 4: MAX DRY, AIR DRY, HI TEMP and SANITIZE LEDs Flash

Pressing “DELAY” pad changes the Level. Once the Rinse-Aid Level reaches 4, the level will loop back to level 1. Press START to confirm the setting.

## Factors Affecting Performance

### Water Pressure

The hot water line to dishwasher must provide water pressure between 20 and 120 psi.

Low water pressure may occur when laundry or showers are in operation. If you experience poor wash performance you may need to wait until water use is reduced before starting dishwasher.

### Water Temperature

Hot water is needed for best dishwashing and drying results. Water entering dishwasher should be at least 120°F (49°C) to give satisfactory results.

To check water temperature entering dishwasher:

- Turn on hot water faucet nearest dishwasher for several minutes to clear cool water from pipes.
- Hold a candy or meat thermometer in the water stream to check the temperature.
- If temperature is below 120°F (49°C), have a qualified person raise the hot water heater thermostat setting.

## IMPORTANT

**Before starting a cycle, run hot water to clear cool water from pipes.**

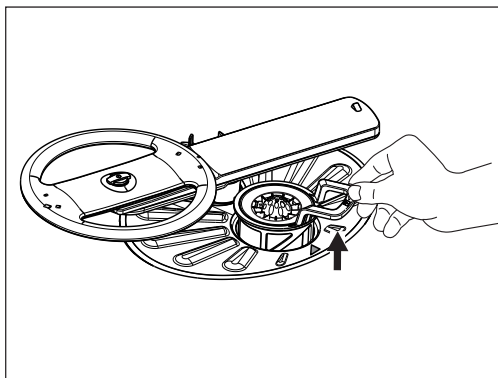
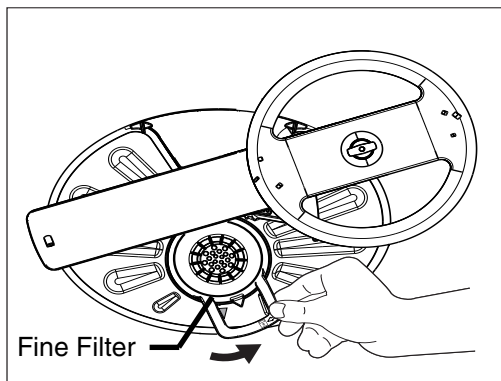
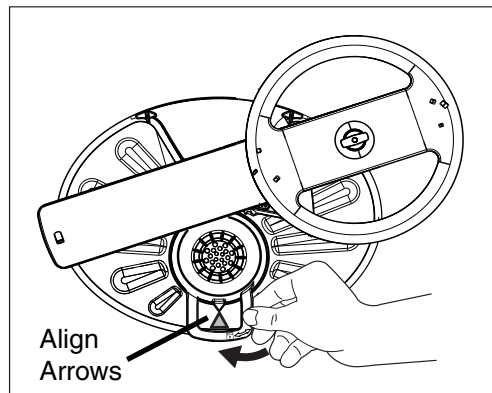
## Recommended Frequency to Clean Your Filters

Loads per week	If you scrape your dishes before loading:	If you scrape and rinse your dishes before loading:	If you wash your dishes before loading:
8 - 12	Monthly	Every two months	Once a Year
4 - 7	Every two months	Once a Year	Once a Year
1 - 3	Once a Year	Once a Year	Once a Year

### Fine Filter

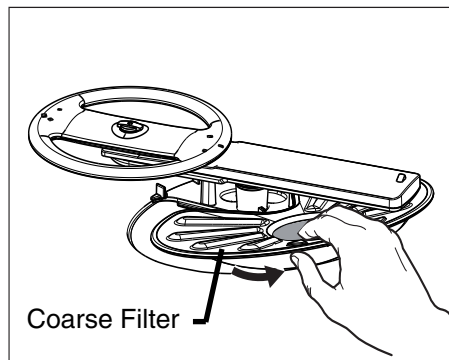
The Fine Filter is designed to collect big items such as broken glass, bones and pits. The Filters need to be cleaned to maximize wash performance throughout the life of your dishwasher.

To remove the Fine Filter as shown, rotate it counterclockwise, lift it out, empty and clean it by rinsing under running water and replace. To replace simply reverse the above instructions making sure that the arrows line up and you feel and hear a slight click. It may be necessary to use a sponge or soft brush to remove excess food residue.



### Coarse Filter

To clean the Coarse Filter remove the Fine Filter, simply remove the Coarse Filter from the dishwasher tub bottom by lifting up and pull the filter out. Flush the Coarse Filter by holding it under running water and replace the Coarse and Fine Filter.



**Outside** - Occasionally wipe with a mild nonabrasive detergent and water. Rinse and dry.

## Care of Drain Air Gap

If a drain air gap was installed for your built-in dishwasher, check to make sure it is clean so the dishwasher will drain properly. A drain air gap is usually mounted on the counter top and can be inspected by removing the cover. This is not part of your dishwasher and is not covered by warranty.

### NOTE

See Installation Instructions for more details.

### NOTE

To achieve the best results from your dishwasher, visit [www.dishwashingexpert.com](http://www.dishwashingexpert.com) for general tips regarding the performance and operation of your dishwasher.

## Winterizing

A dishwasher left in an unheated place should be protected from freezing. Have a qualified person do the following.

### To Disconnect Service:

1. Turn off electrical power to the dishwasher at the supply source by removing fuses or tripping circuit breaker.
2. Shut off water supply.
3. Place a pan under the inlet valve. Disconnect water line from the inlet valve and drain into pan.
4. Disconnect drain line from pump and drain water into pan.

### To Restore Service:

1. Reconnect the water, drain, and electrical power supply.
2. Turn on water and electrical power supply
3. Fill detergent cup and run the dishwasher through a HEAVY cycle.
4. Check connections to make sure they do not leak.

### CAUTION

Freezing temperatures may cause water lines to rupture. Be sure all supply lines to and circulating lines within your dishwasher are protected. Failure to do so could result in property damage.

**Before calling for service, review this list. If may save you both time and expense. This list includes common experiences that are not the result of defective workmanship or material in your dishwasher.**

## **Food Soils Left on Dishes**

- Choose another cycle for longer washing time.
- Choose the Hi-Temp Wash option.
- Check rack loading section for proper loading-avoid nesting items.
- Home water pressure may be too low-should be 20 to 120 pounds per square inch (psi).
- Check incoming water temperature. It should be about 120°F (49°C). (See Factors Affecting Performance).
- Check water hardness. For extremely hard water, it may be necessary to install a water softener. (See Detergent Chart).
- Use Fresh Detergent.
- Make sure items are not blocking the spray arms, preventing them from rotating.

## **Dishes not Dry**

- Select heat dry option.
- Make sure the rinse aid dispenser is filled.
- Increase the discharge setting of rinse aid. (See Rinse Aid).
- Check the incoming water temperature. Be sure it is at least 120°F (49°C).
- Check for proper loading-avoid nesting items.
- Plastic items may need to be towel dried.
- Cups with a concave bottom will collect water. Load them at the far left of the upper rack so they will be held in a tilted position.

## **Glassware/Flatware Spotted or Cloudy**

- Check water hardness. For extremely hard water, it may be necessary to install a water softener. (See Detergent Chart).
- Water temperature may be low. Avoid extremely low or high temperatures. (See Factors Affecting Performance).
- Avoid overloading and improper loading. (See Preparing and Loading Dishes).

- Use fresh detergent. Old detergent is ineffective.
- Make sure rinse aid dispenser is filled.
- Check to see that proper amount of detergent is being used for cycle selected. Also, check phosphate level. (See Detergent Dispenser.)
- Home water pressure may be too low - it should be 20 to 120 pounds per square inch (psi).

## **Dishware Chipped**

- Load with care and do not overload. (See Preparing and Loading Dishes).
- Place delicate items in top rack.
- Place glasses securely against pins and not over pins.
- Load items so they are secure and don't jar loose when moving racks in and out. Move racks in and out slowly.
- Make sure tall glasses and stemware will clear top of tub when rack is pushed in.

## **Water in Bottom of Tub**

- Water left in the tub bottom after the cycle is complete is not normal. If water remains in the bottom of the tub, the dishwasher may not be draining properly. (See Dishwasher Does not Drain Properly).

## **Dishware Stained or Discolored**

- Tea and coffee can stain cups. Remove the stains by hand washing in a solution of 1/2 cup (120 ml) bleach and one quart (1L) of warm water. Rinse thoroughly.
- Iron deposits in water can cause a yellow or brown film. A special filter installed in the water supply line will correct this problem. (See Removing Spots and Film).
- Aluminum utensils can leave gray/black marks when they rub against other items. Load Properly.
- Certain high acid foods can cause discoloration of stainless steel and plastics if allowed to sit for a long period. Use the Rinse Only cycle or rinse by hand if not operating dishwasher at once.
- Mixing stainless steel and silver utensils in silverware basket can cause pitting of the stainless steel blades. Avoid mixing stainless steel and silver.

## Cycle Takes a Long Time

- Is cycle in a water heating delay?
- Has the delay start option been selected?
- Has the sanitize option been selected?

## Normal Sounds You Will Hear

- Normal sounds include water fill, water circulation and motor sounds.

## Etching

- Using too much detergent especially in soft or softened water causes damage that looks like a film but cannot be removed.
- Adjust the amount of detergent based on the water hardness. (Check Detergent Chart).
- Lower the water temperature.

## Detergent Left in Dispenser Cup

- Detergent may be old. Discard and use fresh detergent.
- Be sure the dish load doesn't block spray from entering the detergent cup.
- Check to see if cycle has been completed.
- Make sure items do not prevent the detergent dispenser from opening.

## Vapor at Vent

- Water vapor escapes from the vent during the drying part of cycle. This is normal.
- Spilled rinse aid can cause foam and lead to overflowing. Wipe up any spills with a damp cloth.
- Check to see that dishwasher is level. (See Installation Instructions).

## Dishwasher Won't Run

- Check to see if circuit breaker is tripped or if a fuse is blown.
- Make sure water supply is turned on.
- Check to see if cycle is set correctly. (See Operating Instructions).
- Is dishwasher set for Delay Start Option?
- Make sure door is closed and latched.
- Dishwasher Won't Fill
- Is water supply turned on?

## Dishwasher Leaks

- Use only fresh detergent designed for automatic dishwashers. Measure detergent carefully. Try a different brand.

## Dishwasher Does Not Drain Properly

- If unit is hooked up to a food waste disposer, make sure the disposer is empty.
- Check to see if the knockout plug has been removed from inside the food waste disposer inlet.
- Check to see if drain hose is kinked.
- Make sure cycle is complete, not in a pause.

## Dishwasher has an Odor

- Soiled dishes left in dishwasher too long can create an odor. Use Rinse Only cycle.
- There will be a "new" smell when first installed. This is normal.
- Check to see if unit is draining properly. (See Dishwasher Does Not Drain Properly).

## Stains on Tub Interior

- Washing large amounts of dishware with tomato based soil can cause a pink/orange appearance. This will not affect performance and will gradually fade over time. Pre-rinsing or using the Rinse Only cycle will reduce the chance of staining. Using no heat dry option will lessen staining.

## Removing Spots and Film

Hard water can cause lime deposit buildup on the interior of the dishwasher. Dishes and glasses may also get spots and film for a number of reasons. (See Glassware/Flatware Spotted or Cloudy section). To remove buildup, and film, clean using the following instructions:

1. Load clean dishes and glasses in normal manner. Do not load any metal utensils or silverware.
2. Do not add detergent.
3. Select the NORMAL WASH cycle. Press START pad. Close and latch the door.
4. Allow dishwasher to run until it starts the second water fill (approximately 10 minutes).
5. Unlatch and open door, pour 2 cups of white vinegar into the bottom of dishwasher.
6. Close and latch door and allow cycle to finish.



Your appliance is covered by a one year limited warranty. For one year from your original date of purchase, Electrolux will repair or replace any parts of this appliance that prove to be defective in materials or workmanship when such appliance is installed, used, and maintained in accordance with the provided instructions. The stainless tub and door liner of your appliance are covered by a lifetime limited warranty. During the lifetime of the appliance, Electrolux will provide a replacement stainless tub or door liner that fails to contain water due to a defect in materials or workmanship if the appliance is installed, used, and maintained in accordance with the provided instructions. In addition, the dishwasher racks and the electronic control module of your appliance are covered by a two through five year limited warranty. During the 2nd through 5th years from your original date of purchase, Electrolux will provide a replacement dishwasher rack or electronic control module for your appliance which has proven to be defective in materials or workmanship when such appliance is installed, used, and maintained in accordance with the provided instructions.

#### Exclusions:

This Warranty does not cover the following:

1. Products with original serial numbers that have been removed, altered or cannot be readily determined.
2. Product that has been transferred from its original owner to another party or removed outside the USA or Canada.
3. Rust on the interior or exterior of the unit.
4. Products purchased "as-is" are not covered by this warranty.
5. Food loss due to any refrigerator or freezer failures.
6. Products used in commercial setting.
7. Service Calls which do not involve malfunction or defects in materials or workmanship, or for appliances not in ordinary household use or used other than in accordance with the provided instructions.
8. Service Calls to correct the installation of your appliance or to instruct you how to use your appliance.
9. Expenses for making the appliance accessible for servicing, such as removal of trim, cupboards, shelves, etc., which are not part of the appliance when it is shipped from the factory.
10. Service calls to repair or replace appliance light bulbs, air filters, water filters, other consumables, or knobs, handles, or other cosmetic parts.
11. Labor or in-home service costs during the additional limited warranty periods beyond the first year from your original date of purchase.
12. Pickup and delivery costs; your appliance is designed to be repaired in the home.
13. Surcharges including, but not limited to, any after hour, weekend, or holiday service calls, tolls, ferry trip charges, or mileage expense for service calls to remote areas, including the state of Alaska.
14. Damages to the finish of appliance or home incurred during transportation or installation, including but not limited to floors, cabinets, walls, etc.
15. Damages caused by: services performed by unauthorized service companies; use of parts other than genuine Electrolux parts or parts obtained from persons other than authorized service companies; or external causes such as abuse, misuse, inadequate power supply, accidents, fires, or acts of God.

#### DISCLAIMER OF IMPLIED WARRANTIES; LIMITATION OF REMEDIES

CUSTOMER'S SOLE AND EXCLUSIVE REMEDY UNDER THIS LIMITED WARRANTY SHALL BE REPAIR OR REPLACEMENT AS PROVIDED HEREIN. CLAIMS BASED ON IMPLIED WARRANTIES, INCLUDING WARRANTIES OF MERCHANTABILITY OR FITNESS FOR A PARTICULAR PURPOSE, ARE LIMITED TO ONE YEAR OR THE SHORTEST PERIOD ALLOWED BY LAW, BUT NOT LESS THAN ONE YEAR. ELECTROLUX SHALL NOT BE LIABLE FOR CONSEQUENTIAL OR INCIDENTAL DAMAGES SUCH AS PROPERTY DAMAGE AND INCIDENTAL EXPENSES RESULTING FROM ANY BREACH OF THIS WRITTEN LIMITED WARRANTY OR ANY IMPLIED WARRANTY. SOME STATES AND PROVINCES DO NOT ALLOW THE EXCLUSION OR LIMITATION OF INCIDENTAL OR CONSEQUENTIAL DAMAGES, OR LIMITATIONS ON THE DURATION OF IMPLIED WARRANTIES, SO THESE LIMITATIONS OR EXCLUSIONS MAY NOT APPLY TO YOU. THIS WRITTEN WARRANTY GIVES YOU SPECIFIC LEGAL RIGHTS. YOU MAY ALSO HAVE OTHER RIGHTS THAT VARY FROM STATE TO STATE.

#### If You Need Service

Keep your receipt, delivery slip, or some other appropriate payment record to establish the warranty period should service be required. If service is performed, it is in your best interest to obtain and keep all receipts. Service under this warranty must be obtained by contacting Electrolux at the address or phone numbers below.

This warranty only applies in the USA, Puerto Rico and Canada. In the USA and Puerto Rico, your appliance is warranted by Electrolux Major Appliances North America, a division of Electrolux Home Products, Inc. In Canada, your appliance is warranted by Electrolux Canada Corp. Electrolux authorizes no person to change or add to any obligations under this warranty. Obligations for service and parts under this warranty must be performed by Electrolux or an authorized service company. Product features or specifications as described or illustrated are subject to change without notice.

#### USA

**1-877-435-3287**  
Electrolux Major Appliances North America  
10200 David Taylor Drive  
Charlotte, NC 28262

#### Canada

**1-800-265-8352**  
Electrolux Canada Corp.  
5855 Terry Fox Way  
Mississauga, Ontario, Canada L5V 3E4

## Table Des Matières

Pour Trouver les Informations .....	20
Consignes de Sécurité Importants .....	20-21
Résumé des Caractéristiques .....	22
Instructions d'utilisation.....	23-26
Preparation et Chargement de la Vaisselle.....	26-30
Distributeurs du Lave-Vaisselle et Détergents.....	31-33
Filtres de nettoyage.....	34
Lave Soins & hivernage.....	35
Solutions au Problèmes Simples.....	36-39
Garantie.....	40
English.....	2
Spanish.....	41

## Lire et veuillez sauver ce guide

Que toi pour choisir Electrolux, la nouvelle marque de la maeilleure qualite dans des appareils menagers. Ce & d'utilisation; Le guide de soin fait partie de notre engagement a la satisfaction du client et de qualite du produit durant toute la duree de view de votre nouvel appareil.

Nous regardons votre achat comme commencement d'un rapport. Pour assurer notre capacite de continuer de vous servir, employer svp cette page pour enregistrer l'information sur le produit importante.

## Conserver une Trace de Référence Rapide

\_\_\_\_\_

Date d'achat

\_\_\_\_\_

Numéro de modèle

\_\_\_\_\_

Numéro de série

L'enregistrement de votre produit ave Electrolux augment notre capacite de vous servir. Vous pouvez s'enregistrer en ligne chez [www.electroluxappliances.com](http://www.electroluxappliances.com) ou en laissant tomber votre carte d'enreistrement de produit dans le courrier.

1-877-4ELECTOLUX (1-877-435-3287) (États - Unis et Canada)

Pour obtenir une aide en ligne et des informations sur le produit, veuillez consulter le site [www.electroluxappliances.com](http://www.electroluxappliances.com) aux É.-U. ou [www.electroluxca.com](http://www.electroluxca.com) au Canada.

## Consignes de Sécurité Importants

### ATTENTION

Lorsque vous utilisez votre lave-vaisselle, suivre les précautions de base, y compris ce qui suit:

### Pour votre sécurité

Veuillez lire tous ces conseils de sécurité avant d'utiliser votre nouveau lave-vaisselle Electrolux.

- Lisez toutes les instructions avant d'utiliser votre lave-vaisselle.
- N'utilisez votre lave-vaisselle qu'en suivant les instructions contenues dans ce Guide d'utilisation et d'entretien.
- Ce manuel ne couvre pas toutes les situations possibles qui pourraient se produire. Utilisez votre bon sens et prenez des précautions lors de l'installation, de l'utilisation et de l'entretien d'un appareil ménager.
- La « National Sanitation Foundation » (NSF) certifie que les lave-vaisselle pour usage domestique ne sont pas conçus pour les établissements licenciés de restauration. Ces établissements doivent utiliser des lave-vaisselle ayant une température d'eau plus élevée pour satisfaire aux exigences de désinfection.

- LAVE ELECTRIQUE DOIT ETRE MIS A LA TERRE. Cet appareil doit être connecté à un métal de terre, système de câblage permanent, ou un conducteur de mise à la terre doit être exécuté avec les conducteurs du circuit et branché à la borne de mise à la terre ou au cordon de cet appareil. Lisez les instructions d'installation pour plus de détails.
- Ce lave-vaisselle est conçu pour fonctionner avec une alimentation électrique domestique normale (120 V, 60 Hz). Utilisez un circuit équipé d'un fusible ou d'un disjoncteur de 15 ampères. Utilisez un circuit comportant un fusible de 20 ampères si le lave-vaisselle est raccordé à un broyeur à déchets.
- Ne faites pas fonctionner le lave-vaisselle si tous les panneaux extérieurs ne sont pas à leur place, comme il est expliqué dans les Instructions d'installation fournies avec votre lave-vaisselle.
- Pour éviter que personne ne reste enfermé et n'étouffe, retirez la porte du compartiment de lavage quand cet ancien lave-vaisselle est mis hors service ou au rebut.
- Ne permettez pas aux jeunes enfants et aux bébés d'approcher trop près du lave-vaisselle lorsqu'il est en fonctionnement.
- N'utilisez que des détergents et des produits de rinçage recommandés pour une utilisation dans un lave-vaisselle.
- Ne maltraitez pas, ne vous asseyez pas ou ne montez pas sur la porte ou le panier du lave-vaisselle.
- Rangez le détergent et le produit de rinçage pour le lave-vaisselle hors de portée des enfants.
- Pour réduire le risque de blessure, ne pas laisser les enfants jouer dans ou sur le lave-vaisselle.
- Ne lavez pas dans le lave-vaisselle les articles en plastique sauf s'ils sont prévus à cet effet. Vérifiez les recommandations du fabricant s'ils ne comportent pas de marque spécifique. Les articles qui ne sont pas prévus pour être lavés au lave-vaisselle peuvent fondre et créer un danger d'incendie.
- Si le lave-vaisselle s'évacue dans un broyeur à déchets, assurez-vous que celui-ci soit complètement vide avant de faire fonctionner le lave-vaisselle.
- Coupez le courant d'alimentation du lave-vaisselle avant tout dépannage.
- Les réparations doivent être effectuées par un technicien Electrolux qualifié.
- Ne modifiez pas les commandes.
- Faites attention en enlevant la vaisselle lorsque l'option de DÉSINFECTION a été sélectionnée. Juste après la fin du cycle, la vaisselle peut être très chaude au toucher.
- Lors du chargement de la vaisselle à laver :
  - Mettez les articles pointus et les couteaux de manière à ce qu'ils ne puissent pas endommager la cuve ou son joint.
  - Mettez les articles pointus et les couteaux la pointe en bas pour réduire le risque de blessure par coupure. Vous pouvez aussi placer les articles pointus et les couteaux sur l'étagère à ustensiles de cuisine située dans le panier supérieur.
- Dans certaines conditions, de l'hydrogène peut être libéré par un système d'eau chaude qui n'a pas été utilisé pendant 2 semaines ou plus. L'HYDROGÈNE EST UN GAZ EXPLOSIF. Si le système d'eau chaude n'a pas été utilisé pendant cette période, avant d'utiliser le lave-vaisselle, ouvrez tous les robinets d'eau chaude et laissez l'eau couler pendant plusieurs minutes. Ceci permettra à l'hydrogène accumulé de s'échapper. L'HYDROGÈNE EST UN GAZ INFLAMMABLE. Ne fumez pas et n'utilisez pas une flamme nue à ce moment là.
- Ne rangez pas ou n'utilisez pas de matériaux combustibles, d'essence ou d'autres gaz ou liquides inflammables à proximité de cet appareil ou de tout autre appareil ménager.

## ATTENTION

Ce symbole vous avertit de certains dangers tels que blessures, brûlures, incendie, et électrocution.

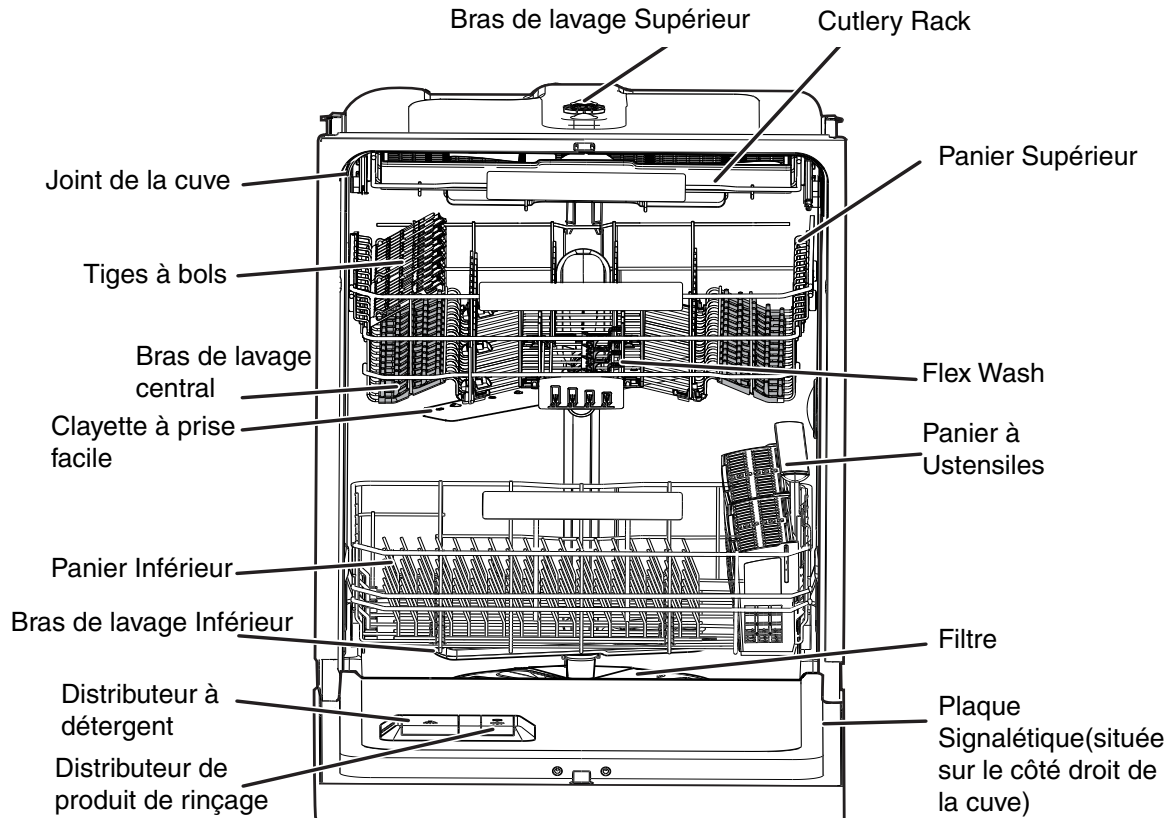
## ATTENTION

Pour réduire les risques d'incendie, d'électrocution ou de blessure lorsque vous utilisez votre lave-vaisselle, suivre les précautions élémentaires suivantes:

**CONSERVER CES INSTRUCTIONS**

## Comment votre Lave-Vaisselle Nettoie-t-il?

Votre lave-vaisselle nettoie en vaporisant un mélange d'eau chaude et de détergent à travers les bras de vaporisation et contre les surfaces sales. En premier, le lave-vaisselle se vidange pendant quelques secondes pour enlever les saletés tombées lors du chargement, puis se remplit d'eau en recouvrant la zone du filtre. L'eau est alors pompée à travers les bras de vaporisation. Les particules de saleté passent par et à travers le filtre et dans le drain lorsque l'eau est pompée vers l'extérieur. Cette série d'étapes est répétée si nécessaire. Le nombre de remplissages d'eau varie selon le cycle utilisé.



## Pour faire fonctionner votre lave-vaisselle,

suivez ces étapes de base:

1. Chargez la vaisselle. (Voir Préparation et chargement de la vaisselle)
2. Ajoutez le détergent. (Voir Distributeurs du lave-vaisselle et détergents)
3. Ajoutez du produit de rinçage si nécessaire. (Voir Produit de rinçage).
4. Sélectionnez le CYCLE désiré.
5. Sélectionnez les OPTIONS désirées. (Voir Sélection de l'option d'énergie).
6. Faites couler le robinet d'eau chaude le plus près du lave-vaisselle jusqu'à ce que l'eau soit chaude. Fermez l'eau.
7. Pour démarrer, appuyez sur la touche START (DÉMARRER) et fermez la porte.

### REMARQUE

Les filtres devront être nettoyés pour optimiser les performances de lavage pendant la durée de vie de votre lave-vaisselle. Voir "Fréquence recommandée pour nettoyer vos filtres" pour un programme de nettoyage.



## Bruits Normaux De Fonctionnement

Votre lave-vaisselle utilise des moteurs à haut rendement pour le lavage et la vidange du cycle sélectionné. Chaque cycle présente une série de remplissages d'eau et de vidanges pour le lavage et le rinçage de la vaisselle. Au début de chaque cycle, vous pouvez éventuellement entendre le moteur de vidange. Vous pouvez également entendre l'éclaboussement de l'eau lorsqu'elle entre dans la cuve et lorsque les bras tournent et font circuler l'eau. Le moteur de lavage émet souvent des pulsations pendant le cycle, ce qui fait varier la pression de l'eau et optimise les performances.

## D'Énergie

L'étiquette jaune de guide d'énergie fournie avec votre unité indique combien d'énergie celle-ci utiliserait au cours d'une année, et comment elle se compare à d'autres unités similaires. La consommation d'énergie est basée sur la réponse du cycle Normal aux tests impliquant de la saleté et de la vaisselle qui simulent l'utilisation moyenne. Huit couverts de vaisselle et quelques pièces de service sont utilisés lors des tests. L'énergie totale est basée sur le nombre moyen de cycles par année, appliquant des niveaux de saleté typique pour la vaisselle et la moitié du temps, choisissant l'option d'utiliser de l'énergie supplémentaire pour complètement sécher la vaisselle. L'utilisation réelle d'énergie et d'eau dépendra des cycles et des options que vous sélectionnez.

Cette unité utilise un élément chauffant qui se trouve sous la cuve. Il n'y a aucun élément chauffant exposé qui peut entrer en contact avec de la vaisselle en plastique ou qui est accessible au toucher. La chaleur est amenée à la vaisselle par l'intermédiaire de l'eau chauffée. Pour cette raison, la vaisselle en plastique peut être placée où elle s'intègre mieux n'importe quel plateau peut être utilisé. La température est uniforme dans le lave-vaisselle.

Dans de nombreux lave-vaisselles lorsque le séchage complet est souhaité l'élément chauffant exposé est mis sous tension après la vidange finale afin de chauffer et sécher la vaisselle. Si l'utilisateur préfère économiser l'énergie et sécher la vaisselle à la main, il doit choisir le séchage à l'air au lieu du séchage à la chaleur. Le puissant élément chauffant dans votre unité ne peut pas chauffer à sec. Le séchage à l'air est toujours une option. Si vous préférez dépenser un peu plus d'énergie pour sécher la vaisselle alors désactivez le séchage à l'air. En retour, la température dans le cycle de lavage et de rinçage sera augmentée. Cela aidera le lavage et la vaisselle sera plus chaude. Lorsque le drainage final enlèvera toute eau stagnante, la chaleur supplémentaire stockée dans la vaisselle agira afin d'évaporer l'eau restante.

Votre unité offre un choix de cycles. En général, plus on utilise d'eau dans un cycle et plus la température est élevée, plus on utilise d'énergie. Plusieurs cycles, tel que le cycle Normal changeront leur réponse basée sur le niveau de saleté, des conditions ambiantes et des options sélectionnées. Le cycle Normal est approprié pour une utilisation générale. Les autres cycles sont axés vers une utilisation particulière comme le cycle long (Heavy) ou le cycle Power Plus qui sont conçus pour les casseroles très sales.

## Sélection Du Cycle De Lavage

Les temps des cycles sont approximatifs et varient en fonction de l'option sélectionnée. Il est nécessaire que l'eau soit chaude pour activer le détergent de lave-vaisselle et faire fondre les graisses.

Un capteur automatique vérifie la température de l'eau d'alimentation pour le lavage principal de chaque cycle, augmentant la temporisation si nécessaire, jusqu'à ce que l'eau soit suffisamment chaude. Lorsque le Lavage À Haute Température est sélectionné, le capteur s'assure que la température de l'eau est encore plus élevée.



## Sélection Du Cycle

Le Smart Sensor vérifie le niveau de saleté sur vos plats dans les cycles Auto, Normal et Eco. La durée du cycle et la consommation d'eau varient en fonction de la quantité de saleté de la vaisselle.

### Auto

Lorsque le lave-vaisselle est partiellement rempli de vaisselle légèrement sale, un cycle de lavage similaire à un lavage court sera effectué automatiquement. Lorsque le lave-vaisselle est complètement rempli de vaisselle très sale, un cycle de lavage similaire à un lavage pour vaisselle sale sera effectué automatiquement. La technologie de capteur intelligent du lave-vaisselle détermine le type de cycle nécessaire pour nettoyer la vaisselle et nettoie plus efficacement chaque fois. L'utilisation d'eau approximatif 3,0 et 7,4 gallons. Le temps de lavage approximatif 118 et 200 minutes.

### Heavy

Pour les marmites, les casseroles, les sauteuses et les assiettes comportant des aliments secs ou attachés. L'utilisation d'eau approximatif 7,1 et 8,1 gallons. Le temps de lavage approximatif 129 et 189 minutes.

### Normal

Pour la vaisselle et les couverts normalement sales. L'utilisation d'eau approximatif 3,0 et 7,4 gallons. Le temps de lavage approximatif 118 et 200 minutes.

### Rinse

Pour rincer la vaisselle qui sera lavée plus tard. L'utilisation d'eau approximatif 2,2 gallons. Le temps du cycle approximatif 15 minutes.

### Fast

Pour la vaisselle et les couverts légèrement sales ou préalablement rincés. L'utilisation d'eau approximatif 4,5 gallons. Le temps de lavage approximatif 30 minutes.

## Sélection Des Options D'Énergie

### Hi-Temp

Lorsque l'option Lavage À Haute Température est sélectionnée, le lave-vaisselle chauffe l'eau du lavage principal à environ 140°F (60°C).

Cette augmentation de la température de l'eau aide à éliminer les détergents lave-vaisselle nourriture, la graisse et le sol de la vaisselle plus efficacement et aide à sécher. L'option HI-TEMP ne peut être utilisé avec l'auto, cycles sale et Normal.

### Sanitize

Pour désinfecter votre vaisselle et vos verres, sélectionnez l'option SANITIZE. Cette option chauffe l'eau à une température de 157°F (69.4°C) pendant le rinçage final et maintient cette température pendant 7 minutes. La SANITIZE est possible pour les cycles de Auto, Heavy et Normal. Ces cycles de désinfection ont été conçus pour répondre aux exigences de la NSF.

Le temps de cycle sera allongé jusqu'à ce que la température d'eau appropriée soit atteinte. L'action de lavage continuera pendant l'attente pour le chauffage de l'eau. Pour de meilleurs résultats, la température de l'eau d'alimentation doit être au moins à 120°F (49°C).

Si l'option SANITIZE est sélectionné, le voyant au-dessus du pad s'allume. Les critères de désinfection ne peuvent être satisfaits s'il ya une interruption du cycle, une panne de courant se produit, ou si la température de l'eau entrante est inférieure à 120°F (49°C).

### Child Lock Controls/Air Dry

Pour empêcher les enfants de changer accidentellement le cycle de lavage ou de démarrer le lave-vaisselle, le lave-vaisselle verrouille les commandes en appuyant sur la touche AIR DRY jusqu'à ce que "lock" est allumée. Les commandes sont verrouillées et aucune nouvelle sélection peuvent être faites jusqu'à ce que le verrou soit libéré. Pour déverrouiller les commandes, appuyez sur la touche AIR DRY jusqu'à ce que "Lock" LED s'éteint.

## Max Dry

Dry Max est disponible sur Auto, cycles lourds et Normal. Le temps de cycle augmente lorsque MAX option de séchage est sélectionné.

## Sélection De La Fonction

### Delay

L'option de départ différé vous permet de retarder le démarrage de votre lave-vaisselle automatiquement de 2-4-6 heures.

Appuyez pavé DELAY jusqu'à ce que la LED du départ différé souhaité soit atteint. Si la porte est ouverte alors que le temps de retard le compte à rebours, le délai voyant DEL clignote.

Pour annuler l'option DELAY et commencer le cycle avant la période de temporisation est terminée, appuyez sur la touche Annuler, puis sur la touche START.

### Start/Pause

Pour démarrer un cycle, appuyez sur la touche START jusqu'à ce que le son de démarrage qui est saine. Le cycle commence lorsque la porte est fermée.

### Cancel

Pour annuler un programme à tout moment, ouvrir la porte et appuyez sur la touche CANCEL jusqu'à ce que vous entendiez une tonalité. Le dernier cycle sélectionné se affiche. Si vous le souhaitez, un nouveau cycle peut maintenant être sélectionnée en appuyant sur la touche START et la fermeture de la porte, le cycle commencera.

## Voyants De Statut

Le WASHING voyant d'état s'allume au début du cycle et reste allumé jusqu'à la fin du cycle de lavage.

Le DRYING voyant d'état s'allume au début du drying cycle et reste allumé jusqu'à la fin du cycle de.

Le statut CLEAN lumière s'allume à la fin du cycle et reste allumé jusqu'à ce que la porte est ouverte ou appuyez sur une touche. Une fois que la porte est ouverte, le statut CLEAN lumière restera allumée pendant 15 secondes, puis s'éteint.

Si l'option est sélectionnée SANITIZE et les exigences de la NSF sont atteints, la situation SANITIZED lumière s'allume à la fin du cycle et willremain jusqu'à ce que la porte est ouverte ou appuyez sur une touche. Une fois que la porte est ouverte, le voyant d'état SANITIZED restera allumé pendant 15 secondes. Si l'option SANITIZE est sélectionné, mais les exigences de la NSF ne sont pas atteints, le voyant d'état SANITIZED ne viendra pas sur.



## Indications Des Erreurs

Dans le cas peu probable où les dysfonctionnements lave-vaisselle, les 3 LED de retard clignotent en permanence. Si les LED Salut-Temp clignote par intermittence 1 fois référence à «Lave-vaisselle ne fonctionne pas ou remplir» et essayer de résoudre le problème. Si les Salut-Temp LED clignote 2 fois référence à "lave-vaisselle ne se vidange pas correctement" et essayer de résoudre le problème. Si, après vérification, le problème persiste, ou si les voyants clignotent toujours, contactez le Centre de service à la clientèle au **1-877-435-3287 Electrolux**. Ils seront en mesure de fournir une assistance dans la résolution du problème et / ou la localisation d'un technicien de service autorisé, si nécessaire.

### REMARQUE

Ouverture de la porte pendant le fonctionnement normal ne met pas en pause le programme sélectionné.

### REMARQUE

Votre unité utilise la technologie DishSense™ qui est utilisée pour déterminer le niveau de saleté de la vaisselle afin que le cycle soit automatiquement ajusté à la réponse appropriée. Cela permet d'éviter le gaspillage d'énergie. Le capteur est calibré à la fin du cycle. Pour le premier cycle après la mise sous tension (lors de la première installation ou après une panne de courant) le capteur ne sera pas calibré et donc ne pourra pas déterminer le niveau de saleté. Par conséquent, votre unité fournira une réponse appropriée à une saleté. Par conséquent, votre unité fournira une réponse appropriée à une saleté importante lors de ce premier lavage après la mise sous tension. Cela garantira que tout ce qui est chargé sera lavé adéquatement. La consommation d'énergie au cours de ce premier lavage pourrait être plus élevée qu'un lavage normal.

## Préparation et Chargement de la Vaisselle

### Préparation de La Vaisselle

#### REMARQUE

Ouverture de la porte pendant le fonctionnement normal ne met pas en pause le programme sélectionné.

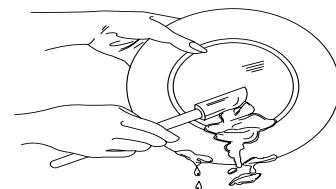
Enlevez les gros morceaux de nourriture, les os, les noyaux, les cure-dents, etc. Le système de lavage enlèvera les particules d'aliments restantes. Grattez doucement les aliments brûlés avec un ustensile ne rayant pas ou faites tremper le plat avant de le laver. Videz les liquides des verres et des tasses.

Les aliments contenant des huiles végétales et/ou des additifs chimiques tels que la moutarde, la mayonnaise, le vinaigre, le jus de citron ou des produits à base de tomates, peuvent provoquer une décoloration de l'acier inoxydable et des plastiques s'ils restent en contact pendant longtemps avec ces objets. Sauf si le lave-vaisselle doit être mis en marche immédiatement, il est conseillé de rincer ce genre de résidus alimentaires.

Chargez les paniers de façon à ce que les gros objets n'empêchent pas le distributeur de détergent de s'ouvrir.

Vérifiez les recommandations du fabricant avant de laver des objets dont on n'est pas sûr.

Si le lave-vaisselle se vidange dans un broyeur à déchets, assurez-vous que le broyeur à déchets est complètement vide avant de mettre en marche le lave-vaisselle.



## REMARQUE

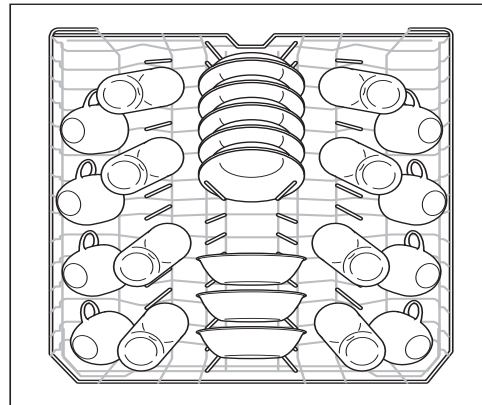
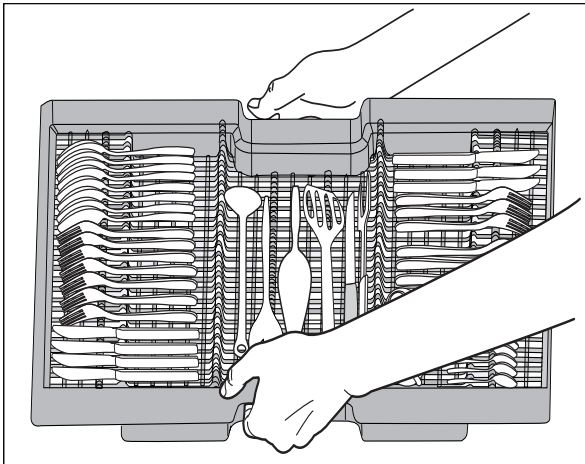
Ouverture de la porte pendant le fonctionnement normal ne met pas en pause le programme sélectionné.

Les verres et les tasses doivent être placés face vers le bas pour un meilleur lavage et essorage.

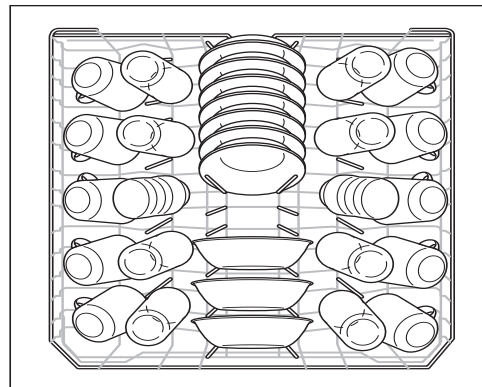
Il peut y avoir de la casse si des articles fragiles se touchent pendant le fonctionnement du lave-vaisselle.

## Chargement du Cutlery Rack

Le rack Couverts est conçu pour les couverts et les ustensiles de cuisine ou plus de service. Ustensiles très sales ou des objets avec cuit les aliments doivent être placés dans le panier supérieur ou panier à couverts pour de meilleures performances de lavage. Les séparateurs sur les étagères de la cutellerie aider à garder couverts séparés pour éviter les dommages et améliorer le nettoyage.



Chargement standard pour 8 couverts



Chargement standard pour 10 couverts

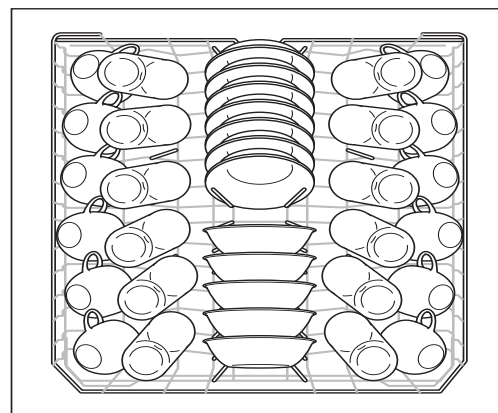
## Chargement du Panier Supérieur

Les fonctions et l'apparence des paniers, y compris de celui des couverts, peuvent être différents de celles de votre modèle.

Le panier supérieur est conçu pour vous permettre de charger de nombreuses façons différentes un grand nombre d'ustensiles comprenant les tasses, les verres, les ustensiles à manche, les petites assiettes, les bols, etc.

Placez les verres dans le panier supérieur. Ils peuvent être cassés s'ils sont placés dans le panier inférieur.

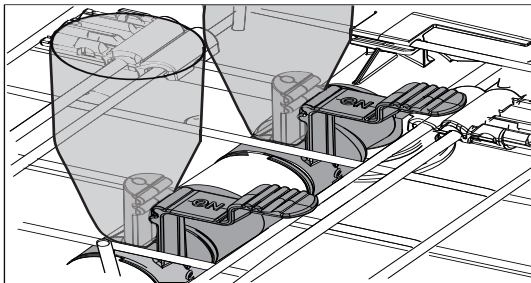
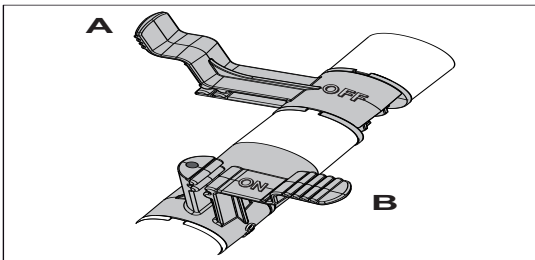
Les articles en plastique doivent être placés uniquement dans le panier supérieur. Ils peuvent fondre s'ils sont placés dans le panier inférieur.



Chargement standard pour 12 couverts

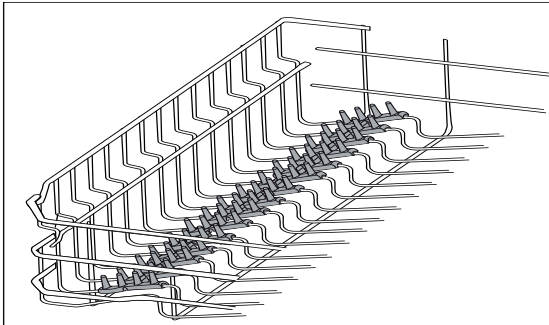
### Flex Wash

El sistema Flex Wash le permite lavar el interior de botellas pequeñas, cristalería y otros objetos. Para ello gire estos elementos de forma que señalen hacia arriba (B). Para apagar, gírelos hacia abajo (A). Véase la siguiente imagen.



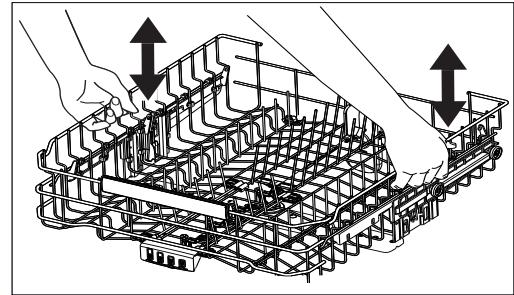
### Clayette à prise facile

La clayette à prise facile est utilisée pour retenir en place les verres et ces articles en plastique qui peuvent se déplacer avec l'eau du bras de vaporisation.



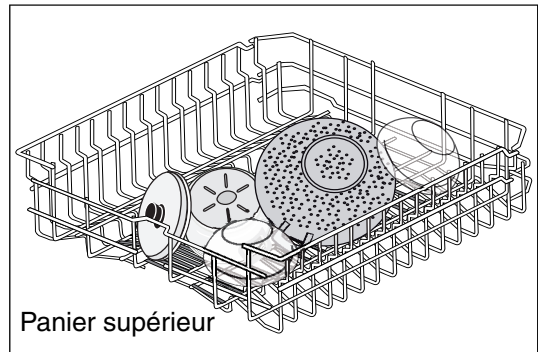
### Panier supérieur réglable

La hauteur de la clayette supérieure peut facilement être réglée pour accommoder de la vaisselle plus haute dans l'une ou l'autre des clayettes. Pour soulever la clayette en position plus haute, soulevez la clayette jusqu'à ce que les deux côtés soient de la même hauteur et la clayette se fixera en place. Assurez-vous que la clayette reste de niveau de l'avant à l'arrière avec les deux côtés à la même hauteur. Pour abaisser la clayette, soulevez légèrement puis poussez vers le bas et relâchez.

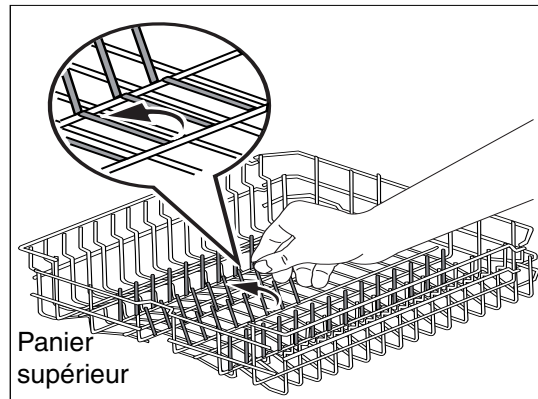


### Dents repliables Panier supérieur

Les dents repliables dans les clayettes inférieure et supérieure facilitent le chargement d'articles très grands et difficiles à placer. Ces dents peuvent être laissées relevées pour une utilisation normale ou repliées pour des chargements plus flexibles.



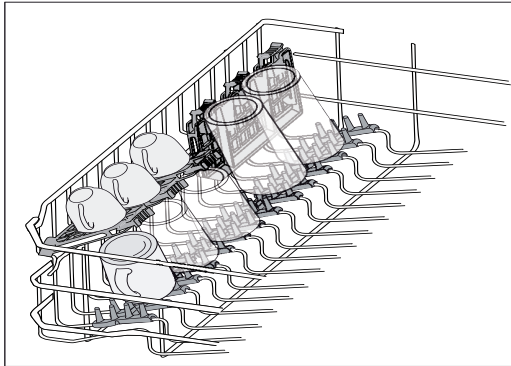
Panier supérieur



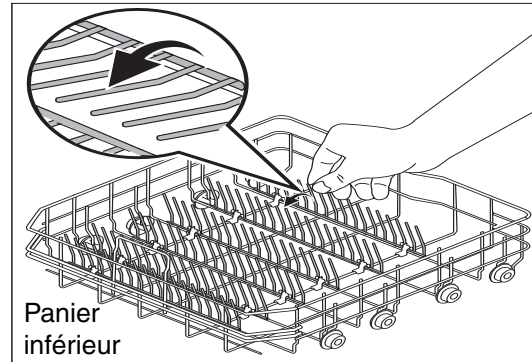
Panier supérieur

### Clayette pour tasses/Supports de verres à pied

La clayette pour tasses peut être repliée pour charger deux niveaux de tasses, de verres à jus, et autres articles courts ou repliez les deux pour utiliser avec des articles longs tels des ustensiles et des spatules. Repliez pour charger les verres hauts.



Le support de verres à pieds est utilisé pour retenir sécuritairement vos verres à vin en place pour un meilleur lavage. Pour sécuriser correctement vos verres appuyez simplement le pieds du verre dans le centre de la clayette à tasse. Les morceaux de rubber seront autour du pied pour retenir le verre en place.



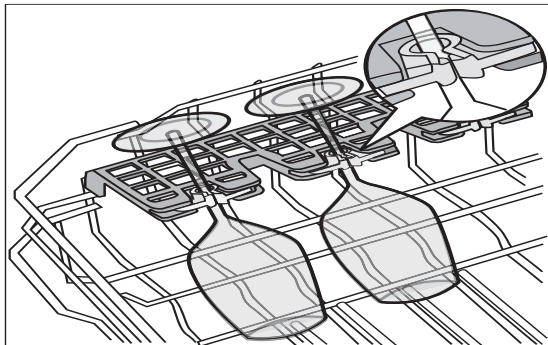
## Chargement du panier inférieur

Les fonctions et l'apparence des paniers, y compris de celui des couverts, peuvent être différents de celles de votre modèle.

Le panier inférieur convient mieux aux assiettes, sauciers, bols et ustensiles de cuisson. Les gros ustensiles doivent être placés dans les coins pour de meilleurs résultats, mettre les bols les casseroles et les poêles face sale vers le bas ou vers le centre. Incliner légèrement pour que la vidange se fasse mieux.

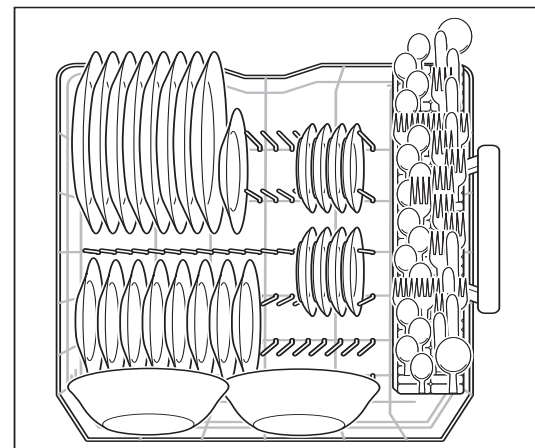
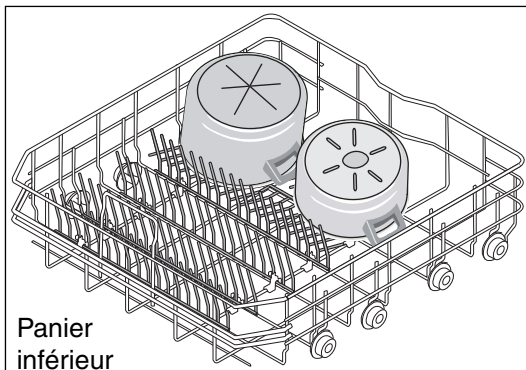
Vous assurer qu'aucun grand article ne bloque la rotation du bras gicleur.

Vous assurer que les manches ne dépassent pas le fond du panier pour éviter de bloquer la rotation du bras gicleur.



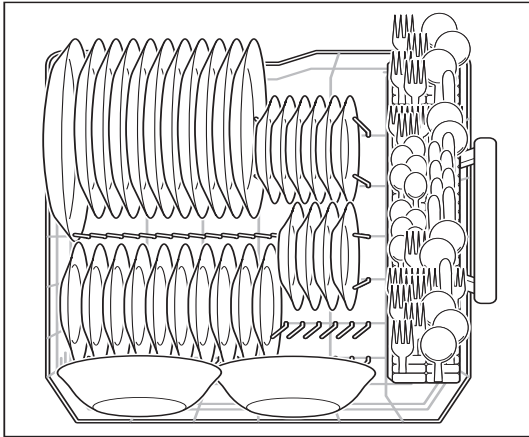
## Dents repliables Panier supérieur

Les dents repliables dans les clayettes inférieure et supérieure facilitent le chargement d'articles très grands et difficiles à placer. Ces dents peuvent être laissées relevées pour une utilisation normale ou repliées pour des chargements plus flexibles.

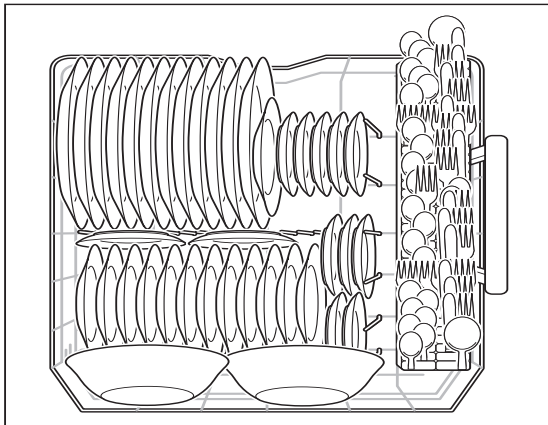


Chargement standard pour 8 couverts





Chargement standard pour 10 couverts



Chargement standard pour 12 couverts

## Chargement du panier à couverts

### ATTENTION

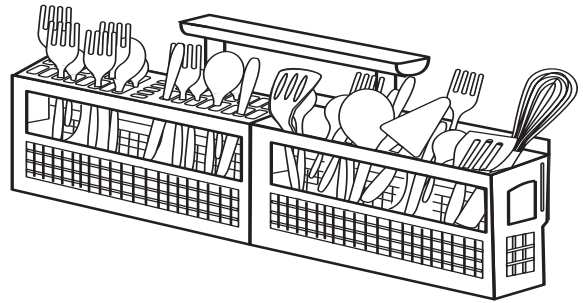
Placer les articles (couteaux, brochette, etc) leur pointe vers le bas.

Sinon des blessures grave peuvent s'ensuivre.

Les fonctions et l'apparence des paniers, y compris celles des couverts, peuvent être différentes de celles de votre modèle.

Mettre les ustensiles dans le panier à ustensiles quand celui-ci se trouve dans le panier inférieur ou poser le panier à ustensiles sur une table ou un plan de travail pour le remplir.

Mettre les petits articles comme bouchons de biberon, couvercles de pot, mini-fourchettes à maïs, etc. dans la section avec couvercle. Fermer le couvercle pour retenir les petits articles.



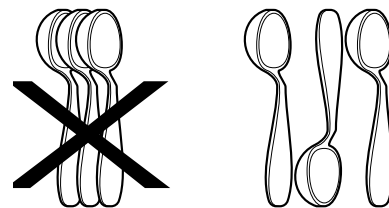
Suivre la disposition suggérée pour les articles, celle qui est illustrée, pour un meilleur lavage des couverts.

S'assurer que rien ne dépasse du dessous du panier qui pourrait bloquer le bras gicleur.

Ne pas mélanger l'argenterie avec les couverts en acier inoxydable pour éviter d'endommager l'argenterie.

Le panier à ustensiles peut être séparé en plusieurs sections qui peuvent être placées à divers endroits dans le panier inférieur. Remplir de couverts toutes les sections ou bien une seule selon le besoin.

Quand les couvercles sont relevés, mélanger les articles dans chaque section du panier, certains se dirigeant vers le haut d'autres vers le bas, pour éviter de les emboîter. Les jets d'eau ne peuvent pas atteindre certains articles emboîtés.



## Pour Ajouter De La Vaisselle

Para agregar o quitar elementos después de que comience el ciclo de lavado:

Desbloquee la puerta y espere unos segundos hasta que la acción de lavado se detenga antes de abrir.

Coloque el artículo y cerrar la puerta con firmeza para retener y reanudar el ciclo.

## Remplissage Du Distributeur de Détergent

Le distributeur de détergent a un compartiment pour le lavage principal où vous ajouterez votre détergent ou pastille de détergent.

- Utilisez seulement du détergent à lave-vaisselle frais pour lavage automatique. Les autres détergents peuvent produire une quantité excessive de mousse.
- Lorsque vous utilisez des pastilles de détergent pour lavage automatique, placez une pastille dans le compartiment de lavage principal et fermez-le.
- Ajouter le détergent avant immédiatement de démarrer le cycle.
- Ranger le détergent dans un endroit frais et sec. Un détergent qui a pris l'humidité et qui s'est solidifié ne se dissout pas complètement.

### ATTENTION

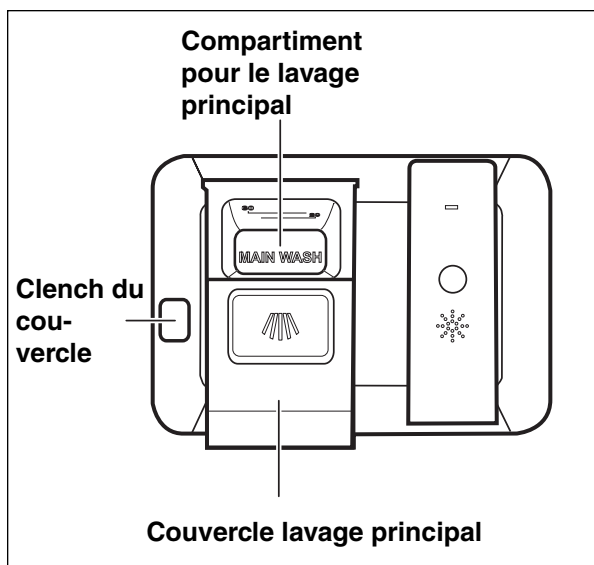
L'utilisation de détergent de classe industrielle peut endommager les pièces du lave-vaisselle causant des dommages à l'appareil et aux biens avoisinants. Utilisez uniquement des détergents à lave-vaisselle pour lavage automatique de classe domestique.

### REMARQUE

Disque dur l'eau peut causer dépôt calcaire l'accumulation sur l'intérieur du lave-vaisselle. Pour obtenir des instructions de nettoyage reportez-vous à la section "Suppression des taches et Film" section.

## Quantité de Détergent À Utiliser

La quantité de détergent à utiliser dépend de la dureté de l'eau. La dureté de l'eau est mesurée en grains par gallon. Utiliser trop peu de détergent peut causer un mauvais nettoyage et un film d'eau dure ou des taches. Utiliser trop de détergent dans l'eau douce peut causer des gravures sur certains verres, un dommage en surface qui apparaît comme un film mais qui ne peut pas être enlevé complètement. Votre distributeur d'eau local, compagnie d'adoucisseur d'eau ou agent local peut vous informer de la dureté de l'eau dans votre région.



### REMARQUE

Les pastilles de détergent et les emballages Tout-en-un peuvent ne pas se dissoudre complètement si utilisés avec les cycles QUICK WASH (LAVAGE RAPIDE). Si un de ces produits est utilisé, placez la pastille ou l'emballage directement dans le fond de la cuve dans un coin avant de démarrer le lave-vaisselle, plutôt que de placer ces produits dans le distributeur.

### REMARQUE

Pour obtenir les meilleurs résultats de votre lave-vaisselle, visitez [www.dishwashingexpert.com](http://www.dishwashingexpert.com) des conseils généraux concernant la performance et le fonctionnement de votre lave-vaisselle.

## Dosage de détergent

Placez un seul comprimé détergent ou paquet mal placé le distributeur de détergent compartiment.

### Détergent Tableau d'utilisation

Dureté de l'eau	Soft Water (eau douce) (0-3 grains)	Medium Hard Water (moyennement dure) (4-8 grains)	Hard Water (eau dure) (9-12 grains)
Montant (cuillères à café):	4 cuillères à café	6 cuillères à café	8 cuillères à café
Cuvette distributeur niveau:	Première ligne	deuxième Ligne	Plein



### NOTE

Pour l'eau très dure, un détergent seul peut ne pas être suffisant. Un adoucisseur d'eau est recommandé pour améliorer la qualité de l'eau et la performance du lave-vaisselle. Essayez d'ajouter plus de détergent au début de la portion lavage principal du cycle. Comme règle, utilisez une cuillère à thé pour chaque grain au-dessus de 12. Déverrouillez la porte, ouvrez lentement et ajoutez du détergent dans le fond de la cuve. Fermez la porte pour verrouiller et le lave-vaisselle continuera son cycle.

**L'option de séchage à chaud AIR DRY et, combinée a un agent de rinçage, améliorera les performances de séchage de votre lave-vaisselle. La consommation d'énergie nécessaire à l'utilisaion de l'option de séchage à chaud AIR DRY coûte moins de quelques cents par cycle. Vous pouvez choisir de ne pas utiliser l'option de séchage à chaud AIR DRY. Cependant , certains articles de votre vaisselle ne seront pas tout à fait secs à la fin du cycle.**



## Produit De Rinçage

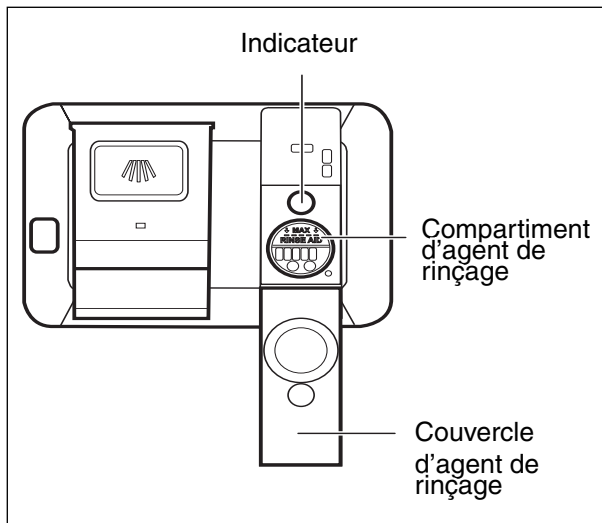
Le produit de rinçage améliore grandement le séchage, réduit les taches d'eau, de filmer. Avec ses eaux "feuilles" off plats plutôt que de former des gouttelettes d'eau qui laissent des taches.

Un distributeur, situé à côté du compartiment de détergent, relâche automatiquement une quantité mesurée d'agent de rinçage durant le dernier rinçage. Si des taches et un mauvais séchage sont un problème, augmentez la quantité d'agent de rinçage distribuée. L'indicateur sera foncé lorsque plein et sera plus clair lorsqu'il est temps de remplir.

Pour ajouter de l'agent de rinçage liquide, ouvrez le couvercle. Versez de l'agent de rinçage jusqu'à ce que le liquide touche au niveau de remplissage indiqué. Fermez le couvercle.

Ne pas trop remplir afin d'éviter une quantité excessive de mousse. Essayez tous débordements avec un linge humide.

Le distributeur contient assez pour 11 à 66 lavages, dépendant du réglage.



### ➔ IMPORTANT

Avant de commencer un cycle, faites couler l'eau chaude pour purger l'eau froide des tuyauteries.

## Comment ajuster la quantité d'agent de rinçage

La dose de produit de rinçage est indiquée par le clignotement de la LED: HI-TEMP, SANITIZE, AIR DRY et MAX DRY. Appuyez et maintenez enfoncée la touche RINSE pendant 5 secondes until one des combinaisons suivantes de LED clignotent:

Niveau 1: LEDs clignote MAX DRY

Niveau 2: MAX DRY et AIR DRY LEDs Flash

Niveau 3: MAX DRY, AIR DRY et HI TEMP LEDs Flash

Niveau 4: MAX DRY, AIR DRY, HI TEMP et SANITIZE LEDs Flash

Pressage "DELAY" pad change le niveau. Une fois atteint le niveau du liquide de rinçage 4, la volonté boucle de niveau au niveau 1. Appuyez sur START pour confirmer le réglage.

## Facteurs Affectant les Performances

### Pression de l'eau

Le tuyau d'alimentation en eau chaude du lave-vaisselle doit fournir une pression d'eau comprise entre 20 et 90 livres par pouce carré (lb/po2).

Une baisse de pression d'eau peut se produire lorsqu'un lave-linge fonctionne ou que quelqu'un prend une douche. Attendez que l'utilisation d'eau soit moins importante avant de mettre en marche le lave-vaisselle.

### Température De l'eau

Il est nécessaire de disposer d'eau chaude pour obtenir les meilleurs résultats de lavage et de séchage. L'eau alimentant le lave-vaisselle doit être à au moins 120°F (49°C) pour donner de bons résultats.

Pour vérifier la température de l'eau d'alimentation du lave-vaisselle :

- Ouvrez le robinet d'eau chaude le plus près du lave-vaisselle pendant quelques minutes pour purger l'eau froide des tuyaux d'eau.
- Maintenez un bonbon ou un thermomètre à viandes dans le courant d'eau sortant du robinet pour vérifier la température.
- Si la température est inférieure à 120°F (49°C), demandez à une personne qualifiée de remonter la température du thermostat de votre chauffe-eau.

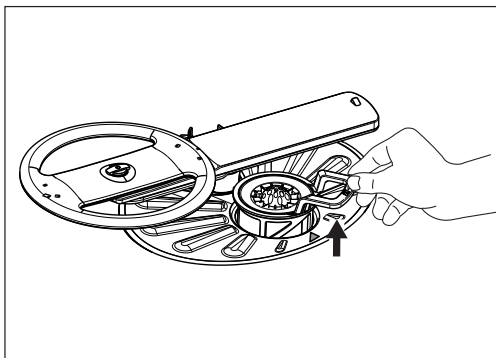
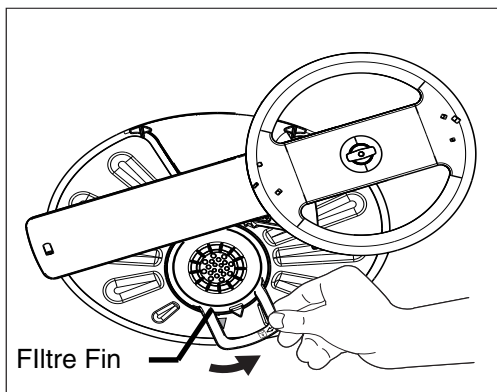
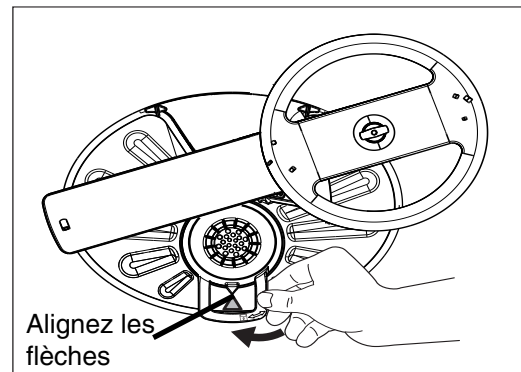
## Fréquence recommandée pour nettoyer vos filtres

Charges par semaine	Si vous frottez vos plats avant le chargement:	Si vous grattez et rincez vos plats avant le chargement:	Si vous lavez votre vaisselle avant le chargement:
8 - 12	Au Mois	Tous les deux mois	Une fois par année
4 - 7	Tous les deux mois	Une fois par année	Une fois par année
1 - 3	Une fois par année	Une fois par année	Une fois par année

### Filtre Fin

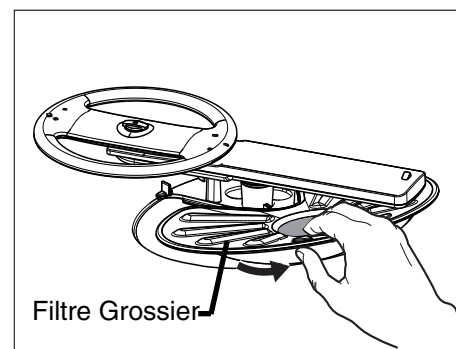
Le filtre fin est conçu pour recueillir des gros articles tels que du verre brisé, des os et des fosses. Les filtres doivent être nettoyés pour optimiser les performances de lavage tout au long de la vie de votre lave-vaisselle.

Pour retirer le filtre fin, comme indiqué, le tourner à gauche, soulevez-le, vide et nettoyer en rinçant sous l'eau courante et à remplacer. Pour remplacer tout simplement inverser les instructions ci-dessus en vous assurant que les flèches s'alignent et vous vous sentez et entendez un léger clic. Il peut être nécessaire d'utiliser une éponge ou une brosse douce pour enlever les résidus de l'excès de nourriture.



### Filtre Grossier

Pour nettoyer le filtre grossier enlever le filtre fin, il suffit d'enlever le filtre grossier du fond de la baignoire lave-vaisselle en soulevant et retirez le filtre. Rincer le filtre grossier en le tenant sous l'eau courante et remplacer le filtre grossier et fin.



**Extérieur** - Nettoyez l'extérieur de la porte avec une éponge ou une lavette et une solution d'eau savonneuse, tiède. Rincez ensuite avec de l'eau propre et essuyez avec un chiffon sec. N'utilisez pas de produits de nettoyage abrasifs.

## Soins de Drain Air Gap

Si un intervalle d'air de vidange a été installé pour votre lave-vaisselle encastré, assurez-vous qu'il soit propre afin que le lave-vaisselle se vidange adéquatement. Un intervalle d'air de vidange est habituellement monté sur le dessus du comptoir et peut être inspecté en enlevant le couvercle. Cela ne fait pas partie de votre lave-vaisselle et n'est pas couvert par la garantie.

### **ATTENTION**

Des températures en dessous du point de congélation peuvent faire éclater les tuyaux d'eau. Assurez-vous que tous les tuyaux d'alimentation du lave-vaisselle sont protégés. La non-observation de cet avertissement peut entraîner des dommages matériels.

### **REMARQUE**

Voyez les instructions d'installation pour plus de détails.

## Préparation pour l'hiver

Un lave-vaisselle laissé dans un endroit sans chauffage doit être protégé du gel. Demandez à une personne qualifiée d'effectuer les opérations suivantes :

### Pour Débrancher l'alimentation:

1. Coupez l'alimentation électrique du lave-vaisselle en enlevant les fusibles ou en déclenchant le disjoncteur.
2. Coupez l'alimentation d'eau.
3. Placez un récipient sous la vanne d'entrée. Débranchez le tuyau d'alimentation en eau de la vanne d'entrée et laissez l'eau s'écouler dans le récipient.
4. Débranchez le tuyau de vidange de la pompe et laissez l'eau s'écouler dans le récipient.

### Pour Remettre en Service:

1. Rebranchez l'alimentation en eau et le tuyau de vidange, ainsi que l'alimentation électrique.
2. Ouvrez l'eau et le courant électrique.
3. Remplir les deux distributeurs de détergent et faire fonctionner le lave-vaisselle en cycle HEAVY.
4. Vérifiez les connexions pour assurer qu'elles sont dénuées de fuite.

**REMARQUE**

Pour obtenir les meilleurs résultats de votre lave-vaisselle, visitez [www.dishwashingexpert.com](http://www.dishwashingexpert.com) des conseils généraux concernant la performance et le fonctionnement de votre lave-vaisselle.

**Avant d'appeler pour un dépannage, relisez ce chapitre. Il peut vous gagner du temps et vous économiser de l'argent. Ce chapitre contient les solutions aux problèmes simples qui ne sont pas le résultat d'un défaut de main-d'œuvre ou de matériaux défectueux de votre lave-vaisselle.**

**Nourriture Restant Sur La Vaisselle**

- Vérifiez la température de l'alimentation en eau. (Voir Pour commencer, page 52.) Elle doit être d'au moins 120°F (49°C). (Voir Facteurs affectant les performances.)
- Choisissez un autre cycle pour un temps de lavage plus long.
- Vérifiez que les paniers sont bien chargés. Évitez l'emboîtement des objets.
- La pression d'eau de la maison peut être trop basse. Elle doit être comprise entre 20 et 90 livres par pouce carré (lb/po2).
- Vérifiez la dureté de l'eau. Pour les eaux très dures, il peut être nécessaire d'installer un adoucisseur d'eau. (Voir Guide d'utilisation du détergent.)
- Utilisez un nouveau détergent.
- Assurez-vous qu'aucun objet ne bloque l'un des bras de pulvérisation, l'empêchant de tourner.

**Attaque de Surface**

- L'utilisation d'une trop grande quantité de détergent avec une eau douce ou adoucie provoque ce film qui ne peut pas être enlevé.
- Ajustez la quantité de détergent en fonction de la dureté de l'eau. (Voir Guide d'utilisation du détergent.)
- Abaissez la température de l'eau.

**La Vaisselle N'est pas Séché**

- Assurez-vous que le distributeur de produit de rinçage est rempli.
- Augmentez la quantité de produit de rinçage (Voir Produit de rinçage.) Vérifiez la température de l'alimentation en eau. Assurez-vous qu'elle est d'au moins 120°F (49°C).
- Vérifiez le chargement. Évitez l'emboîtement des objets.
- Les objets en plastique peuvent avoir besoin d'être essuyés. Il y a plus d'eau qui reste sur les objets en plastique car leur surface n'est pas aussi chaude que celle des objets en verre ou en métal.
- Les tasses avec un fond concave gardent l'eau.

**Affichage Pas en Mode D'opération**

- Maintenir l'icône Réglée pendant 5 secondes pour obtenir l'unité pour remettre à zéro au mode normal d'opération.

**Les verres ou les couverts comportent des taches ou sont recouverts d'un film blanchâtre**

- Vérifiez la dureté de l'eau. Pour des eaux très dures, il peut être nécessaire d'installer un adoucisseur d'eau. (Voir Guide d'utilisation du détergent, page 61.)
- La température de l'eau peut être trop basse. Évitez les températures extrêmement basses ou hautes. (Voir Facteurs affectant les performances.)
- Évitez de trop charger le lave-vaisselle ou de le charger de manière incorrecte. (Voir Préparation et chargement de la vaisselle.)
- Utilisez un nouveau détergent. Un vieux détergent n'est pas efficace.
- Assurez-vous que le distributeur de produit de rinçage est plein.

- Vérifiez si la quantité appropriée de détergent est utilisée pour le cycle sélectionné. (Voir Distributeur de détergent.)
- La pression d'eau de la maison peut être trop basse. Elle doit être comprise entre 20 et 90 livres par pouce carré (lb/po2).

## L'affichage ne Fonctionne Pas

- Vérifiez si l'appareil est en mode sabbat. Reportez-vous à la page 10 pour activer l'affichage de nouveau.

## La Vaisselle Est Ébréchée

- Chargez la vaisselle avec soin et ne surchargez pas le lave-vaisselle. (Voir Préparation et chargement de la vaisselle.)
- Placez les objets délicats dans le panier supérieur.
- Appuyez bien les verres contre les tiges et ne les placez pas sur les tiges.
- Rangez les objets de façon à ce qu'ils soient stables et qu'ils ne basculent pas lors du déplacement des paniers. Tirez ou poussez les paniers lentement.
- Assurez-vous que les grands verres et les verres à pied ne touchent pas le dessus de la cuve lorsque le panier est repoussé.
- Il est recommandé de laver la porcelaine fine ancienne et les cristaux à la main.

## Bruits Normaux que Vous Entendrez

- Les bruits normaux comprennent le remplissage de l'eau, la circulation de l'eau et les bruits des moteurs.
- La pulsation de la pompe provoque une augmentation et une diminution de la vitesse du moteur à intervalles réguliers pendant les cycles.

## La Vaisselle est Tachée ou Décolorée

- Le thé et le café peuvent tacher les tasses. Enlevez les taches en lavant à la main dans une solution d'eau de javel d'1/2 tasse (120 mL) dans un quart (1 L) d'eau tiède. Rincez soigneusement.
- Les dépôts de fer dans l'eau peuvent provoquer un film jaune ou brun. Un filtre à eau installé dans la tuyauterie d'alimentation corrigera ce problème.
- Les ustensiles de cuisine en aluminium peuvent laisser des marques grises ou noires lorsqu'ils frottent sur les autres objets. Effectuez correctement le chargement.
- Certains aliments très acides peuvent provoquer la décoloration de l'acier inox et des plastiques s'ils sont en contact avec ces objets pendant longtemps. Utilisez le cycle de rinçage ou rincez à la main si le lave-vaisselle n'est pas mis en marche immédiatement.
- Le mélange de couverts en acier inox et en métal argenté dans le panier à couverts peut provoquer des points d'attaque sur les lames en acier inox. Évitez de mélanger les couverts en acier inox et en métal argenté.

## Du Détergent Reste Dans Le Godet

- Le détergent peut être vieux. Jetez-le et utilisez un nouveau détergent.
- Assurez-vous que l'action de l'eau peut atteindre le distributeur.
- Vérifiez que le cycle est bien terminé.
- Assurez-vous que des objets n'empêchent pas le distributeur de s'ouvrir.
- Assurez-vous que le panier supérieur est fermement attaché à la buse située à l'arrière de la cuve avant de fermer la porte.



## De L'eau Reste Dans Le Fond de La Cuve

- Il n'est pas normal que de l'eau reste dans le fond de la cuve à la fin du cycle. Si c'est le cas, le lave-vaisselle peut ne pas se vidanger correctement. (Voir Le lave-vaisselle ne se vide pas correctement.) Il peut aussi être nécessaire de nettoyer le filtre. (Voir Entretien du filtre.)
- Remarque : Il est normal de voir un peu d'eau sous le filtre à la fin d'un cycle.

## Le Lave-Vaisselle Fuit

- Utilisez seulement un nouveau paquet de détergent conçu pour les lave-vaisselle automatiques. Mesurez le détergent soigneusement. Essayez une marque différente.
- Du produit de rinçage renversé peut provoquer de la mousse et entraîner un débordement. Essuyez tout renversement avec un chiffon mouillé.
- Vérifiez que le lave-vaisselle est bien de niveau. (Voir Instructions d'installation.)

## Le Lave-Vaisselle ne Fonctionne Pas

- Vérifiez que le disjoncteur n'est pas déclenché ou que le fusible n'est pas brûlé.
- Assurez-vous que l'alimentation en eau est ouverte.
- Vérifiez que le cycle est programmé correctement. (Voir Instructions d'utilisation.)
- Vérifiez que l'option de RETARD de démarrage n'a pas été sélectionnée.
- Assurez-vous que la porte est fermée et verrouillée.

## Le Lave-Vaisselle ne se Vide pas Correctement

- Si l'appareil est raccordé à un broyeur à déchets, assurez-vous que le broyeur est vide.
- Si l'appareil est raccordé à un nouveau broyeur à déchets, vérifiez que le bouchon à défoncer situé à l'intérieur de l'entrée du broyeur a bien été enlevé.
- Vérifiez que le tuyau de vidange n'est pas pincé.
- Assurez-vous que le cycle est terminé, que ce n'est pas une simple pause.

## Le Cycle Prend Trop de Temps

- Vérifiez que le cycle n'est pas dans une phase de chauffage de l'eau.
- Vérifiez que l'option de retard de démarrage n'a pas été sélectionnée.
- Vérifiez que l'option de désinfection n'a pas été sélectionnée.

## Le Lave-Vaisselle ne se Remplit Pas

- Vérifiez que l'alimentation en eau est ouverte.
- Ajoutez 1/2 tasse d'eau dans le fond de l'appareil et démarrez-le à nouveau.

## Le Lave-Vaisselle a Une Odeur

- La vaisselle sale laissée dans le lave-vaisselle trop longtemps peut développer une odeur. Utilisez le cycle de rinçage.
- Lors de la première installation il y a une odeur de « neuf ». Ceci est normal.
- Vérifiez que l'appareil se vidange correctement. Voir Le lave-vaisselle ne se vide pas correctement.)

## Pour Enlever Les Taches et Les Films

L'eau dure peut laisser un dépôt de calcaire à l'intérieur du lave-vaisselle. La vaisselle et les verres peuvent aussi avoir des taches ou un film pour de nombreuses autres raisons. (Voir Les verres et les couverts comportent des taches ou sont recouverts d'un film blanchâtre, page 67.)

Pour enlever les dépôts, les taches et les films, faites un cycle en suivant les instructions ci-dessous :

1. Chargez la vaisselle et les verres propres de la manière normale. Ne mettez pas de couverts ou d'ustensiles en métal.
2. N'ajoutez pas de détergent.
3. Sélectionnez le cycle de LAVAGE NORMAL. Appuyez sur le bouton MARCHE/ANNULATION et fermez la porte.
4. Laissez le lave-vaisselle tourner jusqu'au début du deuxième remplissage. Ouvrez la porte et versez 2 tasses de vinaigre blanc dans le fond du lave-vaisselle.
5. Fermez et verrouillez la porte. Laissez le cycle se terminer.

Votre appareil est couvert par une garantie limitée d'un an. Pendant un an à partir de la date d'achat d'origine, Electrolux réparera ou remplacera les pièces de cet appareil qui présentent un défaut de matériau ou de fabrication, si cet appareil est installé, utilisé et entretenu selon les instructions fournies. La cuve et le revêtement de porte en acier inoxydable de votre appareil sont couverts par une garantie limitée à vie. Pendant la vie de l'appareil, Electrolux remplacera une cuve ou un revêtement de porte en acier inoxydable qui manque de contenir de l'eau à cause d'un défaut de matériau ou de fabrication si cet appareil est installé, utilisé et entretenu selon les instructions fournies. De plus, les paniers de lave-vaisselle et le module de commande électronique de votre appareil sont couverts par une garantie limitée de deux à cinq ans. Durant la période s'étendant de la deuxième à la cinquième année à partir de la date d'achat d'origine, Electrolux fournira un panier de lave-vaisselle ou un module de commande électronique pour votre appareil qui présente un défaut de matériau ou de fabrication, si cet appareil est installé, utilisé et entretenu selon les instructions fournies.

## Exclusions

Cette garantie ne couvre pas ce qui suit :

1. Les produits dont le numéro de série d'origine a été enlevé, modifié ou n'est pas facilement lisible.
2. Les appareils qui ont changé de propriétaire ou qui se trouvent à l'extérieur des États-Unis ou du Canada.
3. La présence de rouille à l'intérieur ou à l'extérieur de l'appareil.
4. Les produits vendus « tels quels » ne sont pas couverts par cette garantie.
5. La perte d'aliments causée par une panne du réfrigérateur ou du congélateur.
6. Les produits utilisés dans des établissements commerciaux.
7. Les appels de service qui ne concernent pas un mauvais fonctionnement, un défaut de fabrication ou un vice de matériau, ou pour les appareils qui ne font pas l'objet d'un usage domestique ou qui ne sont pas utilisés conformément aux instructions fournies.
8. Les appels de service pour vérifier l'installation de votre appareil ou pour obtenir des instructions concernant l'utilisation de votre appareil.
9. Les frais engagés pour rendre l'appareil accessible pour une réparation, par exemple l'enlèvement des garnitures, des armoires, des étagères, etc., qui ne faisaient pas partie de l'appareil lorsqu'il a quitté l'usine.
10. Les appels de service qui concernent la réparation ou le remplacement des ampoules, des filtres à air, des filtres à eau ou d'autres articles consommables, ou des boutons, des poignées ou d'autres pièces esthétiques.
11. Les coûts de main-d'œuvre ou de service à domicile pendant les périodes supplémentaires de garantie limitée au delà de la première année suivant la date d'achat originale.
12. Les coûts de ramassage et de livraison; votre appareil est conçu pour être réparé à la maison.
13. Les frais supplémentaires comprenant, sans s'y limiter, les appels de service en dehors des heures normales de bureau, en fin de semaine ou un jour férié, les droits de péage, les frais de convoyage ou les frais de déplacement pour les appels de service dans des endroits isolés, notamment l'Etat de l'Alaska.
14. Les dommages causés au fini de l'appareil ou à la maison pendant le transport ou l'installation, ce qui comprend, sans s'y limiter, les planchers, les armoires, les murs, etc.
15. Les dommages causés par : des réparations faites par des techniciens non autorisés; l'utilisation de pièces autres que les pièces Electrolux d'origine ou l'utilisation de pièces qui n'ont pas été obtenues par l'entremise d'un réparateur autorisé; ou les causes externes comme l'abus, la mauvaise utilisation, l'alimentation électrique inadéquate, les accidents, les feux ou les catastrophes naturelles.

## AVERTISSEMENT CONCERNANT LES GARANTIES IMPLICITES; LIMITATIONS DES RECOURS

L'UNIQUE RECOURS DU CLIENT EN VERTU DE CETTE GARANTIE LIMITÉE EST LA RÉPARATION OU LE REMPLACEMENT DU PRODUIT COMME DÉCRIT PRÉCÉDEMMENT. LES RECLAMATIONS BASÉES SUR DES GARANTIES IMPLICITES, Y COMPRIS LES GARANTIES IMPLICITES DE QUALITÉ MARCHANDE OU D'ADAPTATION À UN USAGE PARTICULIER, SONT LIMITÉES À UN AN OU À LA PÉRIODE LA PLUS COURTE PERMISE PAR LA LOI, QUI NE DOIT PAS ÊTRE INFÉRIEURE À UN AN. ELECTROLUX NE POURRA ÊTRE TENUE RESPONSABLE DES DOMMAGES ACCESSOIRES OU INDIRECTS NI DES DOMMAGES MATÉRIELS ET DES DÉPENSES IMPRÉVUES RESULTANT D'UNE VIOLATION DE CETTE GARANTIE ÉCRITE OU DE TOUTE AUTRE GARANTIE IMPLICITE. CERTAINS ÉTATS ET CERTAINES PROVINCES NE PERMETTENT AUCUNE RESTRICTION OU EXEMPTION SUR LES DOMMAGES ACCESSOIRES OU INDIRECTS NI RESTRICTION SUR LES GARANTIES IMPLICITES. DANS CE CAS, CES RESTRICTIONS OU EXEMPTIONS POURRAIENT NE PAS ÊTRE APPLICABLES. CETTE GARANTIE ÉCRITE VOUS DONNE DES DROITS LEGAUX PRÉCIS. SELON L'ÉTAT OU LA PROVINCE, IL SE PEUT QUE VOUS DISPOSIEZ D'AUTRES DROITS.

Si vous devez faire appel au service de réparation

Conservez votre reçu, votre bon de livraison ou toute autre preuve valide de paiement permettant d'établir la période de la garantie au cas où vous auriez besoin de faire appel au service de réparation. Si une réparation est effectuée, il est dans votre intérêt d'obtenir et de conserver tous les reçus. Le service auquel vous avez droit en vertu de cette garantie doit être obtenu en communiquant avec Electrolux aux adresses ou aux numéros de téléphone ci-dessous.

Cette garantie n'est valide qu'aux États-Unis, à Puerto Rico et au Canada. Aux États-Unis et à Puerto Rico, votre appareil est garanti par Electrolux Major Appliances North America, une division d'Electrolux Home Products, Inc. Au Canada, votre appareil est garanti par Electrolux Canada Corp. Personne n'est autorisé à modifier les obligations contenues dans cette garantie ni à y apporter des ajouts. Les obligations de cette garantie concernant la réparation et les pièces doivent être remplies par Electrolux ou par une compagnie de réparation autorisée. Les caractéristiques et les spécifications décrites ou illustrées peuvent être modifiées sans préavis.

EE. UU.  
1-877-435-3287  
Electrolux Major Appliances North America  
10200 David Taylor Drive  
Charlotte, NC 28262

Canada  
1-800-265-8352  
Electrolux Canada Corp.  
5855 Terry Fox Way  
Mississauga, Ontario, Canada L5V 3E4

## Índice

Donde Obtener Información .....	41
Instrucciones de Seguridad Importantes.....	42
Descripción de Las Características.....	43
Instrucciones de Uso .....	44-47
Preparación y Carga de Platos.....	48-52
Dispensador y Detergents para Lavavajillas.....	53-54
Limpieza Filtros .....	55
Dish Cuidado & Preparación para el Invierno	56
Soluciones a Problemas Comunes.....	56-58
Garantía .....	59
English.....	2
French.....	20

## Leer y ahorrar por favor esta guía

---

Gracias por elegir Electrolux, la nueva marca de fabrica superior en los aparatos electrodomesticos. Este & del uso; La guía del cuidado es parte de nuestra comision a la saifaccion del cliente y de calidad del producto a traves de la vida de servicio de tu nueva aplicacion.

Vemos tu compra como el principio de una relacion. Para asegurar nuestra capacidad de continuar sirviendote, utilizar pro favor esta pagina para registrar la informacion de producto importante.

## Guardar un expediente para la referencia rapida

---

Fecha de la compra

---

Numero de modelo de Electrolux

---

Numero de serie de Electrolux

---

## ¿CONSULTAS?

---

Para la ayuda gratis del telefono en los E.E.U.U y el Canada:

1-877-4ELECTROLUX (1-877-435-3287)

Para la visita en linea [http://](http://www.electroluxappliances.com) de la informacion de la ayuda y de la produccion del internet [www.electroluxappliances.com](http://www.electroluxappliances.com)



## ADVERTENCIA

Al usar su lavavajillas, siga precauciones básicas, incluyendo las siguientes:

### Para su seguridad

- Lea todas las instrucciones antes de usar su lavavajillas.
- Use su lavavajillas solamente e acuerdo con las insrucciones de Guía del propietario.
- Las instrucciones incluidas en este Manual del Usuario, no pueden durir todas las situaciones o condiciones posibles que peudean presentarse. Por lo tanto, se debe usar sentido común y tener cuidado cuando se instala, se hace funcionar y se repara cualquier artefacto.
- **EL LAVAVAJILLAS DEBE TENER CONEXIÓN A TIERRA.** Para más detalles, lea las instrucciones de instalación.
- Este lavavajillas está diseñado para funcionar con la corriente de la casa (120 V, 60Hz). Use un circuito que tenga un fusible o interruptor de circuitos de 15 amperios. Use un fusible de 20 amperios, si el lavavajillas está conectado a un triturador de desperdicios.
- No haga funcionar el lavavajillas a menos que todos los paneles de inclusión estén colocados en el lugar que les corresponda.
- Para evitar que alguien quede atrapado o se asfixie, saque la puerta o el mecanismo de cierre de todo lavavajillas que se haya desechado o no se esté usando.
- No permita que los niños y bebés se acerquen al lavavajillas cuando este funcionando.
- No deje que los niños usen la puerta ni las rejillas del lavavajillas para sentarse, pararse o jugar ni que abusen de las mismas.
- Para reduciendo el riesgo de lesiones, no permita que los niños jueguen dentro ni sobre la lavavajillas.
- Use solamente los detergentes y agentes de enjuague recomendados para lavavajillas.
- Mantenga los detergentes y los agentes de enjuague fuera del alcance de los niños.
- Si el desagüe del lavavajillas pasa por un triturador de desperdicios, asegúrese de que éste se encuentre completamente vacío antes de hacer funcionar el lavavajillas.
- No lave artículos de plástico a menos que se indique: “Dishwasher Safe” o equivalente. Consulte al fabricante para recomendaciones, si no están marcados. Los artículos que no estén marcados lavarse en el lavavajillas pueden derretirse y crear un peligro de incendio.
- Antes de hacer el servicio, desconecte la corriente eléctrica del lavavajillas.
- Las reparaciones las debe hacer un técnico calificado.
- No trate de modificar los controles.
- No toque el elemento calefactor durante o inmediatamente después del uso.
- Cuando coloque los artículos que se van a lavar:
  - Coloque los artículos cortantes y los cuchillos en forma tal que no vayan a dañar el seloe de la puerta ni la tina.
  - Coloque los objetos cortantes y los cuchillos con el mango hacia arriba para evitar cortarse.
- Bajo ciertas condiciones, se puede producir gas hidrógeno en los sistemas de agua caliente que no se han usado por dos a más semanas. **EL HIDRÓGENO ES EXPLOSIVO**> Si el sistema de agua caliente no se ha usado por mucho tiempo, antes de usar el lavavajillas, abra los grifos y deje correr el agua caliente por varios minutos. Esto dejará salir cualquier gas hidrógeno que se haya acumulado. **EL GAS HIDRÓGENO ES INFLAMABLE.** No fume ni use una llama durante este tiempo.
- No guarde ni use materiales combustibles, gasolina ni otros vapores y líquidos inflamables cerca de este artefacto ni de cualquier otro.



## ADVERTENCIA

Para disminuir el riesgo de incendio, choque eléctrico o lesiones cuando esté usando su lavavajillas, siga las precauciones básicas incluyendo las siguientes:



## ADVERTENCIA

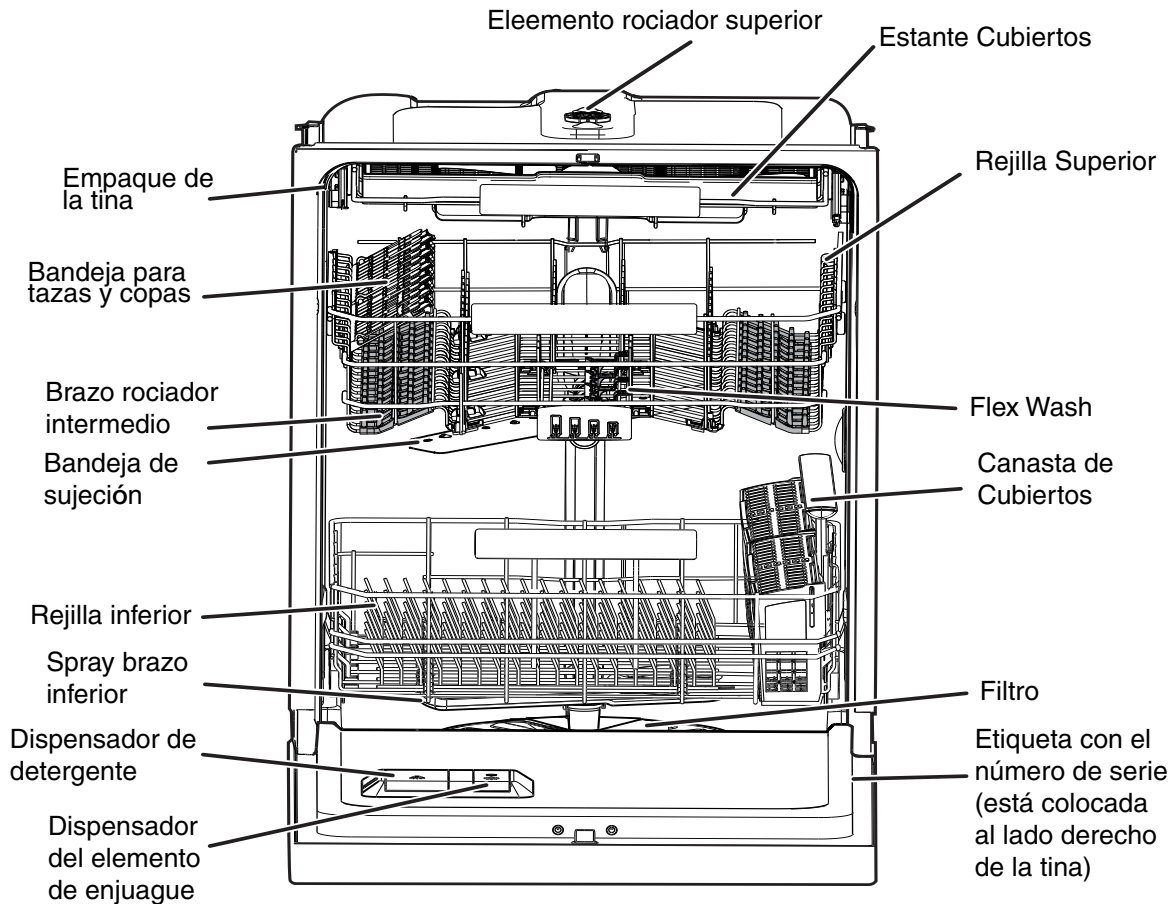
Este símbolo la alertará sobre peligros de lesiones, quemaduras, incendios y choque eléctrico.

**GUARDE ESTAS INSTRUCCIONES**



## Como Funciona Su Lavavajillas

El lavavajillas limpia aplicando agua caliente y detergente a través de los brazos de aspersión a las superficies sucias. En primer lugar el lavavajillas se deshace de los restos que caen durante la carga. A continuación se llena de agua y cubre el área de filtrado. Entonces, el agua se bombea a través de los brazos de aspersión. Los restos de suciedad pasan por el filtro y por el desgüe a medida que se bombea el agua. Estos pasos se repiten tantas veces como sea necesario. La cantidad de llenados de agua varía de acuerdo con cada ciclo.



## Cómo empezar

1. Cargue el lavavajillas (consulte Preparar y cargar la vajilla).
2. Añada el detergente (consulte Dosificador del lavavajillas y detergentes).
3. Añada el abrillantador, si procede (Consulte Abrillantador).
4. Seleccione el CICLO deseado.
5. Seleccione la OPCIÓN deseada (Consulte las Opciones de energía).
6. Abra el grifo más cercano de agua caliente hasta que el agua salga caliente. Apague el agua.
7. Para comenzar, pulse START/CANCEL y cierre la puerta.

### NOTA

Tendrán que ser limpiados para maximizar el rendimiento de lavado durante la vida de su lavavajillas Los filtros. Consulte la sección "Frecuencia recomendada para limpiar sus filtros" para un programa de limpieza.



## Sonidos Normales de Funcionamiento

Su lavavajillas usa motores eficaces en el uso de la energía para las porciones de lavado y de desagüe del ciclo que haya seleccionado. Cada ciclo tiene una serie de llenados de agua y desagües para lavar y enjuagar los platos. A medida que cada ciclo comienza, usted puede o no oír el motor de desagüe. Usted además puede oír el sonido del agua a medida que entra en la tina y los brazos rociadores girando y circulando el agua. El motor del lavado a menudo pulsa a través del ciclo, lo cual varía la presión del agua y mejora el rendimiento.

## Energía

La etiqueta amarilla en la guía de energía que se suministra en la unidad indica el consumo de energía que tendrá al cabo de un año y la compara respecto de otras unidades disponibles. La energía se basa en la respuesta de un ciclo normal al realizar pruebas utilizando vajilla sucia que simula el uso promedio. Durante la prueba se utilizan ocho platos y algunos cubiertos. La energía total se basa en ejecutar el número promedio anual de ciclos, aplicando niveles típicos e suciedad a la vajilla y, en la mitad de las veces, seleccionando la opción de uso de energía adicional para obtener un secado más completo de la vajilla. El consumo real de energía y agua dependerá de los ciclos y las opciones que se seleccionen.

Esta unidad utiliza un elemento calentador de agua ubicado debajo del cubo. No hay ningún calentador expuesto que pueda entrar en contacto con los utensilios plásticos o que sea fácil de tocar. El calor se aplica a la vajilla a través del agua caliente. Por esta motivo, la vajilla de plástico puede colocarse en el estante que mejor se adapte, ya que cualquiera es adecuado. La temperatura es uniforme en todo el lavaplatos.

En varios lavaplatos cuando se requiere un secado completo, el calentador expuesto se utiliza después del desagüe final, para calentar y secar la vajilla. Se el usuario prefiere ahorrar energía y secar la vajilla a mano, se selecciona el secado al aire en lugar del secado térmico. El potente calentador de la unidad no es apto para que funcione en seco. Sin embargo, el secado al aire es una opción. Si el usuario prefiere gastar un poco más de energía para secar mejor los platos, se debe desactivar la opción de secado al aire. En respuesta a esta acción, se incrementarán las temperaturas de lavado y enjuague del ciclo. Esto ayudará a la limpieza y dejará además la vajilla más caliente. Cuando el desagüe final elimine el agua estancada, el calor adicional almacenado en la vajilla actuará para evaporar los restos de agua.

La unidad cuenta con una selección de ciclos. En general, cuanto mayor sea la cantidad de agua utilizada por un ciclo y mayores sean las temperaturas que se alcance, mayor será el consumo de energía. Varios ciclos, como el ciclo normal, cambiarán su respuesta en función del nivel de suciedad, las opciones seleccionadas y las condiciones ambientales. El ciclo normal es bueno para un uso general. Otros ciclos son para un uso especial, como el ciclo de carga pesada o potencia adicional, ideal para utensilios de cocino con suciedad muy adherida.

## Selecciones de Ciclos de Lavado

La duración de los ciclos es aproximada y varía de acuerdo con las opciones seleccionadas. El agua caliente es necesaria para activar el detergente del lavavajillas y derretir la suciedad dejada por alimento grasosos.

Un sensor automático verifica la temperatura del agua de entrada para el lavado principal de cada ciclo, retrasando si es necesario el temporizador, hasta que el agua esté lo suficientemente caliente. Cuando se selecciona 'HI-TEMP WASH' (Lavado con Temperatura Alta), el sensor verifica que la temperatura sea aún más alta. Deje correr el agua caliente de la llave más cercana al lavavajillas hasta que salga caliente.

## Selecciones de Ciclos

El Smart Soil comprueba el nivel de suciedad en sus platos en los automóviles, ciclos Normal y Eco. Ciclo de tiempo y agua usage variará en base a la cantidad de tierra está en los platos.

### Auto

Cuando se coloca en el lavavajillas una carga parcial de platos ligeramente sucios, automáticamente se realizará un ciclo de lavado similar a un lavado corto. Cuando se coloca una carga completa de platos muy sucios, automáticamente se realizará un ciclo de lavado intenso. La tecnología 'Smart Sensor' del lavavajillas determinará el tipo de ciclo requerido para lavar los platos y lavará más eficazmente cada vez. El consumo de agua varía de aproximadamente 3,0 a 7,4 galones. La duración del ciclo es de aproximadamente 118 y 200 minutos.

### Heavy

Para ollas, sartenes, cacerolas y platos con restos de alimentos resacos o quemados. El consumo de agua varía de aproximadamente 7,1 a 8,1 galones. La duración del ciclo es de aproximadamente 129 y 189 minutos.

### Normal

Para cuchillería y platos normalmente sucios. El consumo de agua varía de aproximadamente 3,0 a 7,4 galones. La duración del ciclo es de aproximadamente 118 y 200 minutos.

### Rinse

Para enjuagar platos que serán lavados más tarde. El consumo de agua es de aproximadamente 2,2 galones. La duración del ciclo es de aproximadamente 15 minutos.

### Fast

Para cuchillería y platos que han sido enjuagados y están ligeramente sucios. El consumo de agua varía de aproximadamente 4,5 galones. La duración del ciclo es de aproximadamente 30 minutos.

## Selecciones de Opciones de Energía

### Hi-Temp

Cuando se selecciona la opción HI-TEMP, el lavaplatos calienta el agua en el ciclo principal hasta aproximadamente 140°F (60°C).

Este aumento de la temperatura del agua ayuda a eliminar el detergente del lavavajillas alimentos, grasa y suciedad de los platos más eficaz y ayuda a secar. Opción HI-TEMP sólo se puede utilizar con el Auto, ciclos Heavy y Normal.

### Sanitize

Para higienizar sus vasos y platos, seleccione la opción SANITIZE. Esta opción se calienta la temperatura del agua en el enjuague final a 157°F (69.4°C) y se mantiene esta temperatura durante 7 minutos. SANITIZE está disponible en Auto, pesado, y los ciclos normales. Solamente estos ciclos de esterilización han sido diseñados para cumplir con los requisitos de NSF.

El tiempo de ciclo se extenderá hasta que se alcance la temperatura adecuada del agua. Lavar la acción continuará durante el tiempo de calentamiento de agua. Para obtener los mejores resultados, la temperatura del agua de entrada debe ser de al menos 120°F (49°C).

Si se selecciona la opción de desinfectar el led sobre la tecla se enciende. Los criterios de desinfección puede no ser satisfecha si existe alguna interrupción del ciclo, se produce un corte de energía o si la temperatura del agua de entrada es inferior a 120°F (49°C).

Desinfectar led parpadea al final del ciclo si no se alcanzan los requerimientos de la NSF para la desinfección.

### Child Lock Controls/Air Dry

Para evitar que los niños cambien accidentalmente el ciclo del lavavajillas o de inicio de la lavavajillas, bloquee los controles del lavavajillas oprimiendo la tecla DRY AIR hasta "lock" LED está encendido. Los controles están bloqueados y no hay nuevas selecciones se pueden hacer hasta que se libere el bloqueo. Para desbloquear los controles, oprima la tecla 'DRY AIR hasta "lock" LED se apaga.

### Max Dry

MAX DRY está disponible en el modo automático, Pesado, y Normal, ciclos El tiempo de ciclo se incrementará cuando se selecciona la opción de DRY MAX.

## Selecciones de Funcionamiento

### Delay

La opción Start Delay permite diferir automáticamente la partida del lavavajillas desde 2-4-6 horas.

Oprima la tecla DELAY hasta que el LED del inicio diferido deseado se alcanza. Si se abre la puerta, mientras que el tiempo de retardo de la cuenta atrás, el retraso LED se parpadea.

Para cancelar la opción de retraso y comenzar el ciclo antes de que el período de demora finalice, presione la tecla 'CANCEL' y luego el botón START.

### Start/Pause

Para iniciar un ciclo, presione el botón START hasta que el tono de inicio es el sonido. El ciclo comienza cuando la puerta está cerrada.

### Cancel

Para cancelar un ciclo en cualquier momento, abra la puerta y presione el botón CANCEL hasta que escuche un tono. Se mostrará el último ciclo seleccionado. Si se desea, un nuevo ciclo de ahora se puede seleccionar pulsando el botón START y al cerrar la puerta el ciclo comenzará.

## Indicaciones del Erro

En el improbable caso de un mal funcionamiento de lavavajillas, los 3 LEDs parpadean constantemente parado. Si el LED HI-TEMP parpadea intermitentemente 1 vez hacen referencia a “lavavajillas no funciona o llene” y tratar de resolver el problema. Si los Hola-Temp LED parpadea 2 veces se refieren a “lavavajillas no drena adecuadamente” y tratar de resolver el problema. Si después de la verificación, el problema persiste, o si los LED continúan parpadeando, póngase en contacto con el Centro de Atención al Cliente al 1-877-435-3287 Electrolux. Ellos serán capaces de prestar asistencia en la solución del problema y / o localizar a un técnico de servicio autorizado, si es necesario.

### **NOTA**

Al abrir la puerta durante el funcionamiento normal sólo una pausa en el ciclo seleccionado.

### **NOTA**

Su unidad tiene Tecnología DishSense™ que se utiliza para entender cómo muy sucias de la carga de vajilla es por lo que el ciclo se puede ajustar automáticamente a la respuesta apropiada. Esto ayuda a evitar el desperdicio de energía. El sensor se calibra en el final del ciclo. Para que se aplique el primer ciclo tras el encendido (si se instala primero o después de un corte de energía), el sensor no se puede calibrar por lo que no se puede determinar la carga del suelo. Por lo tanto, la unidad proporcionará una respuesta adecuada para los suelos pesados en la primera carrera después de que se restablezca el suministro eléctrico. Esto asegurará que todo lo que se carga se limpiaron. El uso de energía en esta primera ejecución puede ser más alta de lo que sería típico.

## Luces indicadoras de estado

La luz de estado WASHING se enciende al principio del ciclo y permanece encendida hasta el final del ciclo de lavado.

La luz de estado DRYING se enciende al principio del drying ciclo y permanece encendida hasta el final del ciclo.

La luz de estado CLEAN se encenderá al final del ciclo y permanecerá encendida hasta que se abra la puerta o se presiona cualquier tecla. Una vez abierta la puerta, la luz de estado CLEAN permanecerá encendida durante 15 segundos y luego se apagará.

Si se selecciona la opción SANITIZE y se alcanzan los requerimientos de la NSF, la luz de estado SANITIZED se enciende al final del ciclo y permanecerá encendida hasta que se abra la puerta o se presiona cualquier tecla. Una vez abierta la puerta, la luz de estado SANITIZED permanecerá encendida durante 15 segundos. Si se selecciona la opción SANITIZE pero no se alcanzan los requerimientos de la NSF, la luz de estado de desinfección no se encenderá.



## NOTA

Bastidores y características en el modelo de su lavavajillas pueden ser diferentes en apariencia de ilustraciones de este manual.

## Preparación de Los Platos

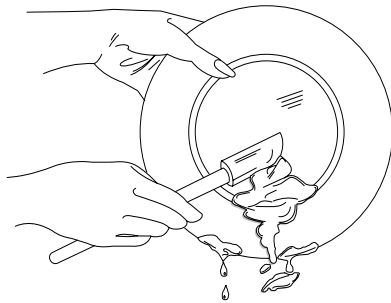
Quite los pedazos grandes de comida, huesos, semillas, palillos de dientes, etc. El fluido de lavado de filtración continua será eliminar partículas de comida restantes. Restos de comida quemada deben ser desprendidos antes de cargar. Vacíe los líquidos de vasos y tazas.

Los alimentos tales como la mostaza, mayonesa, vinagre, jugo de limón y productos a base de tomate pueden decolorar el acero inoxidable y el plástico si se dejan reposar durante un largo período de tiempo. A menos que el lavavajillas ha de funcionar a la vez, lo mejor es enjuagar previamente o utilizar el enjuague sólo ciclo para enjuagar estos alimentos.

Bastidores de carga por lo que los platos grandes no impidan el dispensador de detergente se abra.

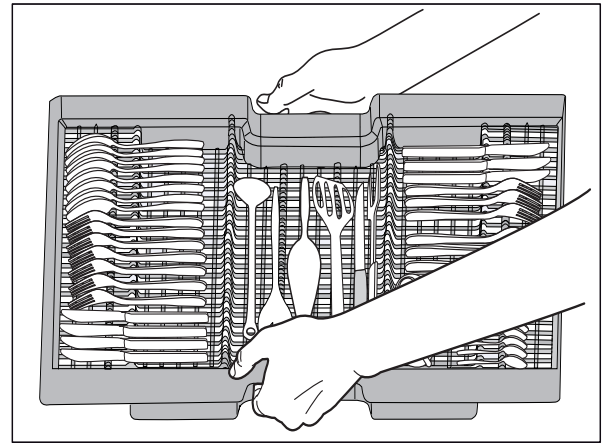
Consulte las recomendaciones del fabricante antes de lavar artículos en cuestión.

Si el lavaplatos desagua hacia un triturador de alimentos, asegúrese de que éste se encuentre completamente vacío antes de comenzar el lavavajillas



## Estante Cubiertos

El bastidor Cubiertos está diseñada para cubiertos y utensilios de cocina más o servir. Utensilios muy sucios o artículos con horneado de los alimentos se deben colocar en el cesto superior o canastilla de los cubiertos para el mejor rendimiento de lavado. Los separadores de los bastidores cubiertos ayudan a mantener cubiertos separados para evitar daños y mejorar la limpieza.



## Cargar de La Canastilla Superior

Bastidores y características en el modelo de su lavavajillas pueden ser diferentes en apariencia de ilustraciones de este manual.

La rejilla superior está diseñada para la flexibilidad en la carga de una amplia variedad de artículos, incluyendo tazas, vasos, copas, platos pequeños, tazones, etc

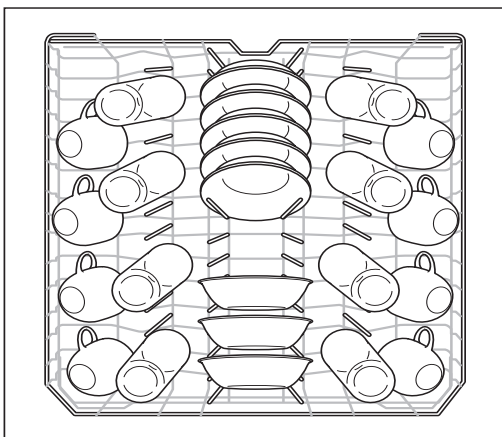
Vasos y artículos de plástico Carga en la canastilla superior solamente.

Elementos con extremo abierto hacia abajo para una mejor limpieza y drenaje de la carga.

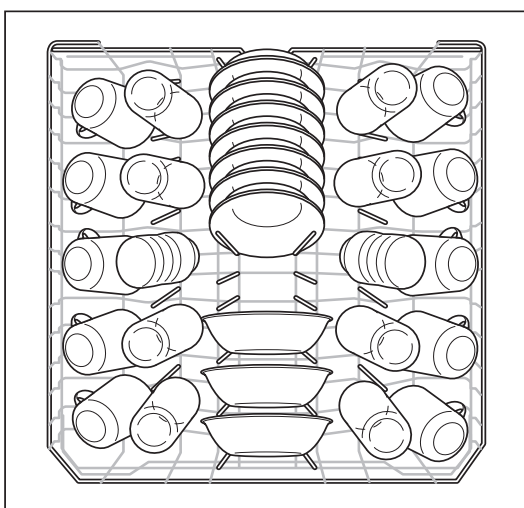
Pueden ocurrir daños si los artículos delicados tocan durante el lavado.

Cuchillos con mangos largos y los utensilios pueden ser colocados en la rejilla superior.

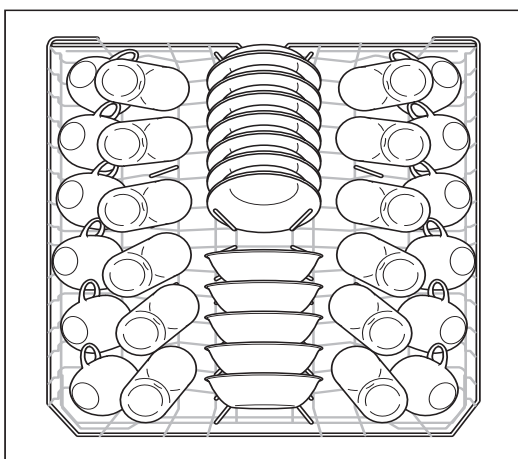
Sé que nada sobrepase el fondo de la rejilla e impida la rotación del brazo intermedio de rociado.



patron de carga normal con 8 ajustes de posiciones



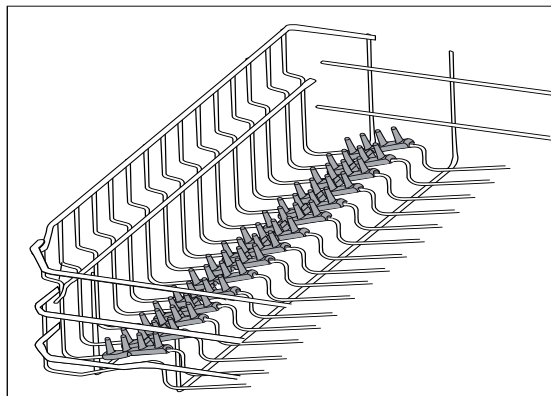
patron de carga normal con 10 ajustes de posiciones



patron de carga normal con 12 ajustes de posiciones

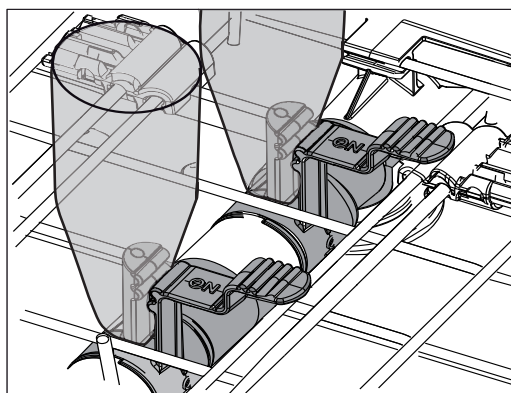
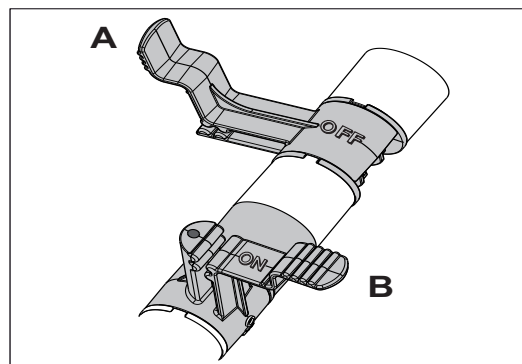
## Bandeja de Sujeción

La bandeja de sujeción se usa para mantener en su lugar los objetos de cristal y de plástico que pueden desplazarse con la aspersion del agua.



## Flex Wash

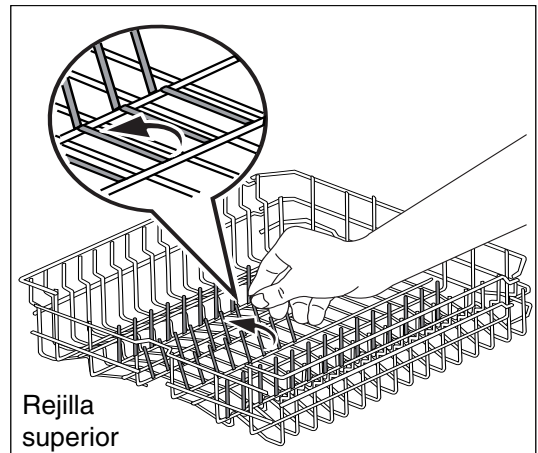
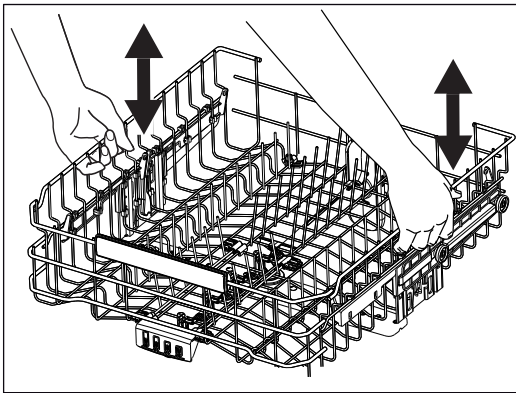
El sistema Flex Wash le permite lavar el interior de botellas pequeñas, cristalería y otros objetos. Para ello gire estos elementos de forma que señalen hacia arriba (B). Para apagar, gírelos hacia abajo (A). Véase la siguiente imagen.



# Preparación y Carga de Platos

## Bandeja superior

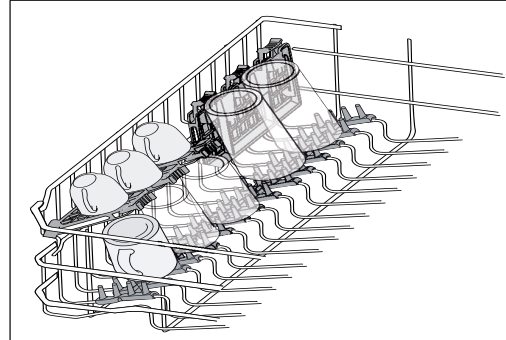
La altura de la bandeja superior puede ajustarse fácilmente para acomodar los platos más altos en cualquier bandeja. Para elevar la bandeja hasta la posición superior, levántela hasta que los dos lados estén a la misma altura y la bandeja se fijará. Asegúrese de que, al fijarse la bandeja, ambos lados quedan a la misma altura. Para bajar la bandeja, levántela ligeramente y empujela hacia abajo.



Rejilla superior

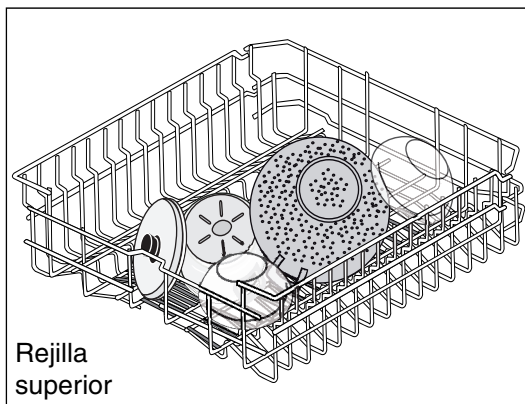
## Bandeja para tazas y copas

La bandeja para tazas y copas se puede plegar para que así sea posible cargar dos niveles de copas, vasos y otras piezas pequeñas, así como piezas largas como cubiertos y espátulas. Pliegue para cargar vasos altos.



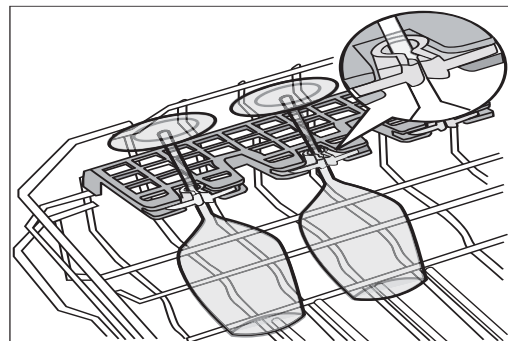
## Púas Plegables Rejilla Superior

Las púas plegables en las bandejas inferior y superior facilitan la carga de las piezas grandes y difíciles de encajar. Las púas pueden permanecer en su posición normal o plegar para proporcionar mayor flexibilidad.



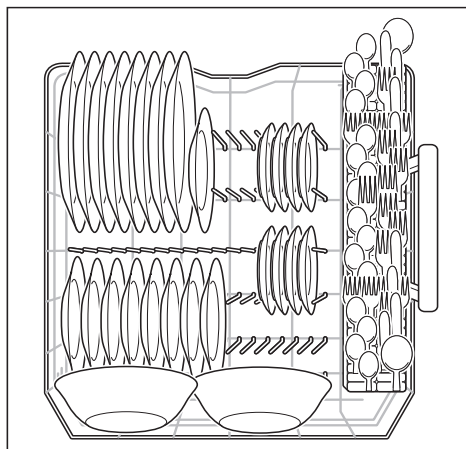
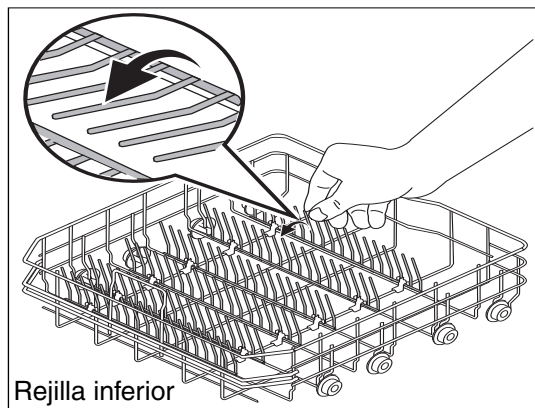
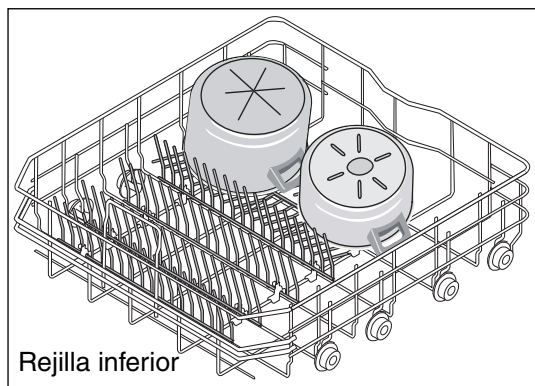
Rejilla superior

La bandeja para copas se usa para sujetar de forma segura las copas de vino para un buen lavado. Para asegurar el vaso o copa simplemente presione el pie de la copa hacia el centro de la bandeja. Las piezas de plástico mantendrán la copa en su lugar.

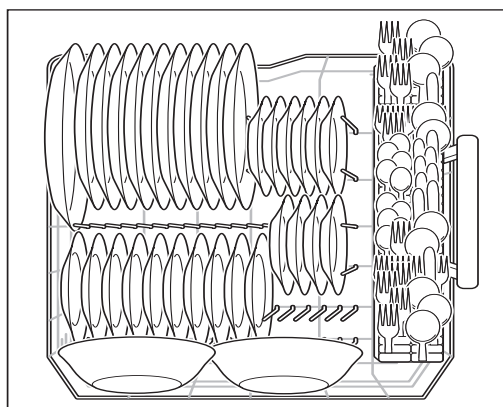


## Púas plegables Rejilla Inferior

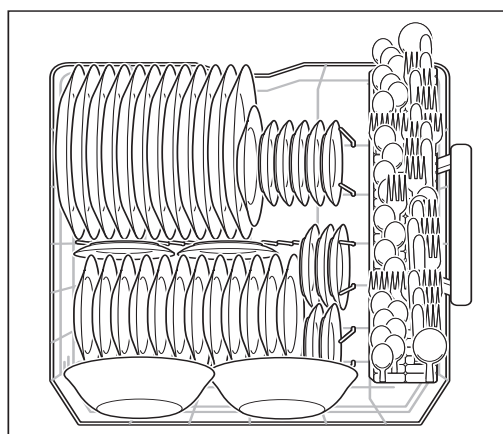
Las púas plegables en las bandejas inferior y superior facilitan la carga de las piezas grandes y difíciles de encajar. Las púas pueden permanecer en su posición normal o plegar para proporcionar mayor flexibilidad.



patron de carga normal con 8 ajustes de posiciones



patron de carga normal con 10 ajustes de posiciones



patron de carga normal con 12 ajustes de posiciones

## Carga de la Rejilla Inferior

Bastidores y características en el modelo de su lavavajillas pueden ser diferentes en apariencia de ilustraciones de este manual.

La rejilla inferior es preferible para platos, vasijas, y ollas. Artículos grandes deben ser colocados hacia los bordes para que no impidan la rotación del brazo de rociado intermedio. Para obtener los mejores resultados coloque las ollas y caserolas con la superficie más sucia mirando hacia abajo y hacia el centro. Incline levemente para ayudar al drenaje.

Asegúrese de que artículos altos no impidan la rotación del brazo de rociado.

Asegúrese que los mangos de los sartenes no sobrepasen el fondo de la rejilla y obstruyan la rotación de brazo de rociado.



## Como Cargar la Canasta de Cubiertos

### PRECAUTION

Coloque los artículos afilados (cuchillos, pinchos de brocheta, etc.) con las puntas hacia abajo.

No hacerlo puede causar lesiones.

Bastidores y características en el modelo de su lavavajillas pueden ser diferentes en apariencia de ilustraciones de este manual.

Coloque los artículos pequeños como tapas de biberones tapas de jarros, sostenedores de mazorcas de maíz, etc., en una sección cubierta.

Cierra la cubierta para mantener los artículos pequeños en su lugar.

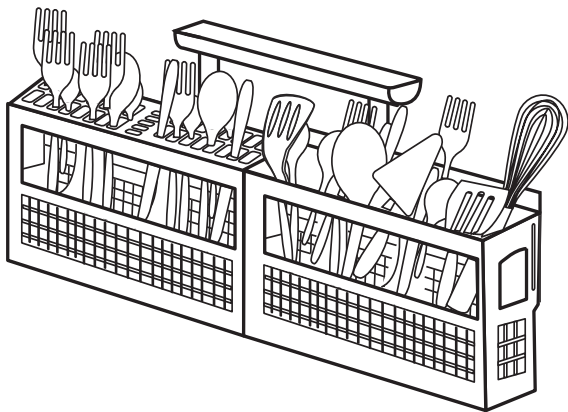
Cargue la canasta de cubiertos mientras está en el estante inferior, o saque la canasta para cargarla sobre el gabinete o la mesa.

Use los patrones de carga sugeridos, según se muestra, para mejorar el lavado de sus cubiertos.

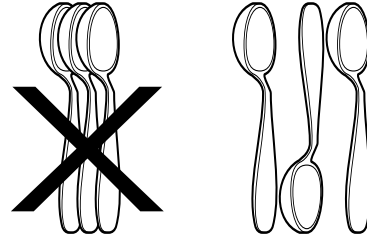
Asegúrese de que nada sobresalga por el fondo de la canasta o del estante que pueda obstruir el brazo rociador.

No mezcle los cubiertos de plata con los de acero inoxidable para evitar dañar el acabado del plato.

La canasta de cubiertos puede sacarse y colocarse en varios lugares del estante inferior. Coloque los cubiertos en todas las secciones o sólo en una, dependiendo de su carga.



Cuando las cubiertas están hacia arriba, mezcle los artículos de cada sección de la canasta, con unos apuntando hacia arriba y otros hacia abajo, para que no se peguen unos con otros. El rocío de agua no puede llegar a los artículos que están pegados unos con otros.



## Agregando un Plato

Para agregar o sacar artículos después de que el ciclo de lavado ha empezado:

- Desenganche la cerradura y espere unos segundos hasta que la acción de lavado se detenga, antes de abrir la puerta.
- Coloque el artículo y espere unos segundos para permitir que el aire frío se expanda lentamente dentro del lavavajillas
- Cierre firmemente la cerradura para que empiece el ciclo.

### NOTA

Para lograr los mejores resultados de su lavavajillas, visite [www.dishwashingexpert.com](http://www.dishwashingexpert.com) de consejos generales sobre el desempeño y el funcionamiento de su lavavajillas.

## Llenado del Distribuidor de Detergente

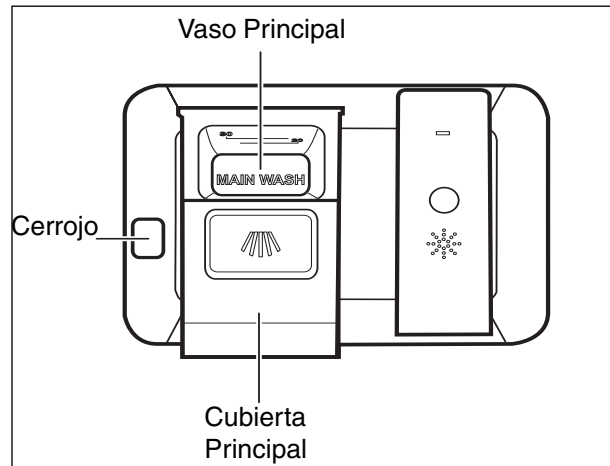
El dosificador de detergente cuenta con un vaso donde añadir el detergente o las pastillas de detergente.

- Use únicamente detergente para lavavajillas. Otros detergentes podrían producir demasiada espuma.
- Al usar pastillas de detergente, coloque la pastilla en el vaso principal y cierre.
- Añada el detergente justo antes de comenzar el ciclo.
- Guarde el detergente en un lugar fresco y seco.

Es posible que el detergente húmedo no se disuelva adecuadamente.

## Cuánto detergente usar Necesaria

La cantidad de detergente que se debe usar depende de la dureza del agua. La dureza de agua se mide en granos por galón, siendo 1 galón 4.5 litros. El usar poco detergente puede dar lugar a un mal resultado. water filming or spotting. El uso de demasiado detergente en agua blanda puede hacer que queden marcas en los objetos de cristal que ya no se podrán eliminar. off. Su empresa local de agua, su empresa de descalcificación del agua o un agente de su área puede informarle acerca de la dureza del agua de su área.



### NOTA

Es probable que las pastillas de detergente y los paquetes de todo en uno no se disuelvan completamente al usarlos en los ciclos QUICK WASH (lavado rápido). Si va a usar alguno de estos productos, coloque la pastilla directamente en una esquina del fondo de la cuba antes de comenzar el proceso de lavado, mejor que en el dosificador.

### PRECAUTION

El uso de detergente industrial puede dañar ciertas partes del lavavajillas, lo que lleva al daño de todo el aparato. Use solo detergente doméstico.

## La dosificación de detergente

Coloque una sola pastilla de detergente o un paquete inot el compartimento de detergente.

## Guía de Uso del Detergente

Dureza del agua	Agua Blanda (0-3 granos)	Agua Semidura (4-8 granos)	Agua Dura (9-12 granos)
Cantidad (cucharaditas)	4 cucharaditas	6 cucharaditas	8 cucharaditas
Dispenser Nivel Copa:	Primera Línea	Segunda Línea	Completo

### NOTA

Para el agua muy dura, es probable que no sea suficiente con usar solo detergente. Se recomienda el uso de un descalcificador para mejorar la calidad del agua y el resultado del lavado. Pruebe a añadir más detergente al principio del proceso de lavado principal del ciclo. Como norma, use una cucharita por cada grano por encima de 12. Abra la puerta con cuidado y añada detergente en el fondo de la cuba. Cierre la puerta y el lavavajillas continuará con el ciclo.



## NOTA

El agua dura puede producir depósitos de cal en el interior del lavavajillas. Para la limpieza de las instrucciones consulte la sección “Eliminación de manchas y película”.

## Agente de Enjuague

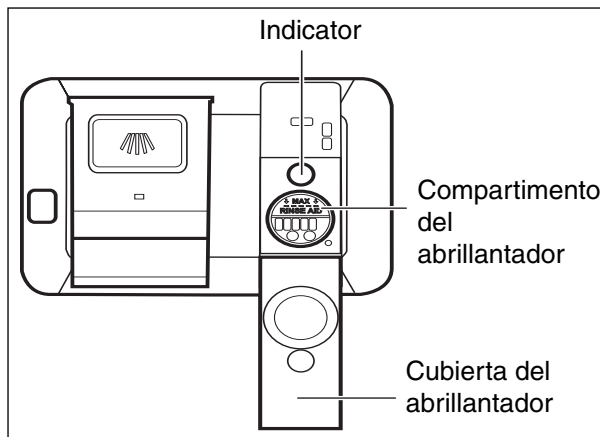
**El agente de enjuague (Rinse Aid) mejora el secado y reduce la formación de manchas de agua y de película.** El agua se escurre en capas y no forma gotas que se adhieren y dejan manchas.

Un dosificador, situado al lado del vaso de detergente, libera automáticamente una cierta cantidad de abrillantador durante el último aclarado. Si tiene problemas de salpicado o de secado, aumente la cantidad de abrillantador. El indicador se oscurecerá cuando esté lleno y se aclarará cuando haya que rellenar.

Para añadir abrillantador líquido, abra la cubierta. Vierta el abrillantador líquido hasta que alcance el nivel indicado. Cierre la cubierta.

No eche demasiado, ya que se podría producir demasiada espuma. Limpie cualquier derrame con un paño húmedo.

El dosificador tiene suficiente para entre 11 y 66 lavados, según el ajuste.



**Si no selecciona la opción DRY AIR en combinación con abrillantador mejorará el rendimiento del secado. La energía necesaria para utilizar la opción de DRY AIR guarda pocos centavos por ciclo. Usted puede optar por seleccionar la opción DRY AIR, sin embargo, algunos artículos en la carga del lavavajillas no quedarán completamente secos al final del ciclo.**

## Cómo ajustar la dosificación de abrillantador

La dosis de abrillantador se indica mediante el parpadeo del LED: HI-TEMP, SANITIZE, AIR DRY y MAX DRY. Pulse y mantenga pulsado el botón durante 5 segundos ACLARADO until one de las siguientes combinaciones de LEDs están parpadeando:

Nivel 1: parpadea MAX DRY LED

Nivel 2: MAX DRY y AIR DRY los LED del flash

Nivel 3: MAX DRY, AIR DRY y HI TEMP LED del Flash

Nivel 4: MAX DRY, AIR DRY, HI TEMP y SANITIZE LED del Flash

Pulsando pad “DELAY” cambia el nivel. Una vez que el nivel de abrillantador llega a 4, el bucle de nivel anterior al nivel 1. Presione START para confirmar el ajuste.

## Presión del agua

La tubería de agua caliente hacia el lavavajillas debe proporcionar una presión de agua entre 20 y 120 psi.

Una presión de agua baja puede ocurrir cuando una lavadora o una regadera de baño están siendo utilizadas. Espere hasta que se reduzca el uso de agua para arrancar su lavavajillas.

## Temperatura del agua

Se necesita agua caliente para mejores resultados en el lavado secado de platos. El agua que entra en el lavavajillas debe estar por lo menos a una temperatura de 120°F (49°C) a fin de obtener resultados satisfactorios.

Para saber la temperatura del agua que entra en el lavavajillas:

- Abra el grifo de agua caliente que esté cerca del lavavajillas por varios minutos para dejar salir toda el agua fría que está en la tubería.
- Ponga un termómetro para carne o para hornear bajo la corriente de agua para saber la temperatura.
- Si la temperatura es inferior a 120°F (49°C), pida a un técnico calificado que eleve el ajuste del termostato del agua caliente.

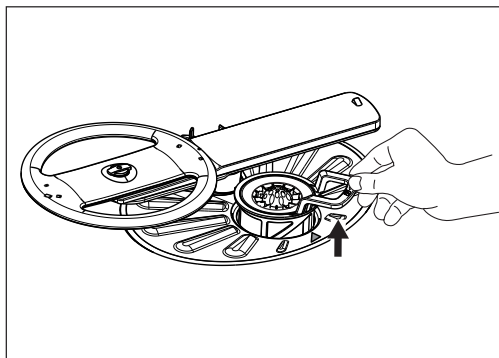
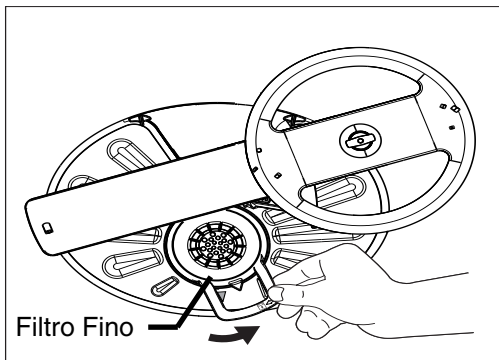
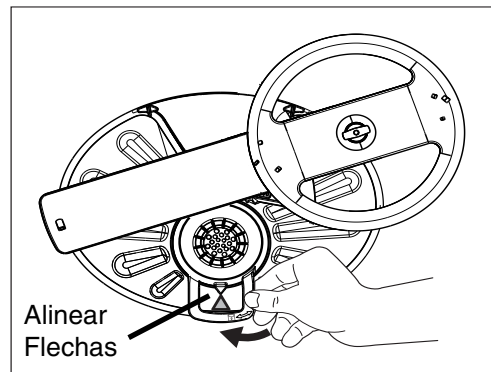
## Frecuencia recomendada para limpiar sus filtros

Cargas por semana	Si se raspa sus platos antes de la carga:	Si se raspa y enjuagar sus platos antes de la carga:	Si usted lava sus platos antes de la carga:
8 - 12	Mensual	Cada dos meses	Una vez al año
4 - 7	Cada dos meses	Una vez al año	Una vez al año
1 - 3	Una vez al año	Una vez al año	Una vez al año

### Filtro Fino

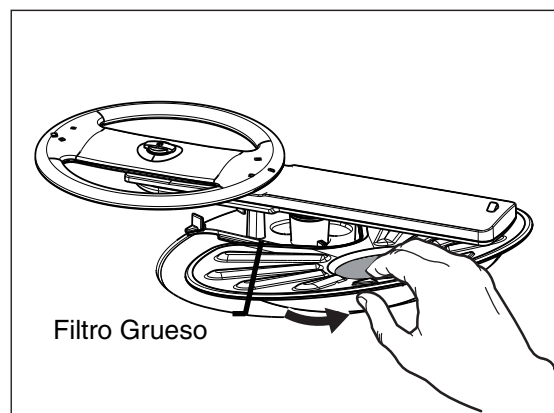
El filtro fino está diseñado para recoger objetos grandes tales como agrietamiento de vidrio, huesos y pepitas. Los filtros deben ser limpiados para maximizar el rendimiento de lavado en toda la vida de su lavavajillas.

Para quitar el filtro fino, como se muestra, girar en sentido antihorario, sáquela, vacíe y límpiela enjuagando con agua corriente y reemplazar. Para reemplazar simplemente invierta las instrucciones de arriba asegurándose de que las flechas se alineen y se siente y escuchar un ligero clic. Puede ser necesario el uso de una esponja o un cepillo suave para eliminar el exceso de residuos de comida.



### Filtro Grueso

Para limpiar el filtro grueso quitar el filtro fino, simplemente quite el filtro grueso del fondo tina del lavavajillas levantando hacia arriba y tire el filtro. Enjuague el filtro grueso sosteniéndolo con agua corriente y vuelva a colocar el filtro grueso y fino.



**Fuera** - Ocasionalmente limpie con un detergente suave y agua. Enjuague y seque.

## Cuidado de la fuga de la Cámara de Aire

Si hubiera un hueco de aire en su lavavajillas empotrado, asegúrese de que está limpio para que el lavavajillas seque correctamente. Los huecos de aire suelen estar en la parte superior y se pueden examinar retirando la cubierta. Esto no forma parte de su lavavajillas y no lo cubre la garantía.

### **NOTA**

Para más detalles vea las Instrucciones para instalación.

## Preparación para el invierno

Si un lavavajillas se deja en un lugar sin calefacción, debe ser protegido contra congelamiento. Llame a un técnico calificado para que haga lo siguiente:

### **Desconexión:**

1. Desconecte la electricidad desde la fuente ya sea quitando los fusibles o bajando la palanca del circuito.
2. Cierre el suministro de agua.
3. Ponga un recipiente debajo de la válvula de ingreso de agua. Desconecte la tubería de agua desde la válvula de ingreso y recoja el agua en el recipiente.
4. Desconecte la tubería de desagüe desde la bomba y deje que el agua caiga en el recipiente.

### **Reconexión:**

5. Reconecte el agua, el drenaje y la fuente de energía eléctrica.
6. Abra el grifo del agua y el interruptor de electricidad.
7. Llene los dos recipientes de detergente y ponga a funcionar el lavavajillas en el ciclo HEAVY.
8. Confirme que no existen fugas en las conexiones.

### **PRECAUTION**

Las temperaturas bajo el punto de congelación pueden causar que se rompan las tuberías. Asegúrese que las tuberías de agua y las de circulación dentro del lavavajillas están protegidas.

Si no se hace esto, se pueden ocasionar daños a la propiedad.

## Soluciones a Problemas Comunes

### **NOTA**

Para lograr los mejores resultados de su lavavajillas, visite [www.dishwashingexpert.com](http://www.dishwashingexpert.com) de consejos generales sobre el desempeño y el funcionamiento de su lavavajillas.

**Antes de hacer una llamada para servicio, revise esta lista. Esto le puede ahorrar tiempo y gastos. La siguiente lista incluye experiencias comunes que no son el resultado de fabricación o materiales defectuosos en su lavavajillas.**

### **Restos de comida en los platos**

- Escoja otro ciclo para un tiempo de lavado más largo. Elija la opción HI-TEMP WASH
- Vea la sección de Cargo de las rejillas para una carga correcta - evite colocar los artículos juntos o pegados.
- La presión del agua en su casa puede ser muy baja-debe ser de 20 a 120 libras por pulgada cuadrada (psi).
- Use detergente fresco.
- Examine la dureza del agua. Para agua extremadamente dura, puede ser necesario instalar un suavizador de agua. (Vea la tabla de detergentes)
- Examine la temperatura del agua que entra. Debe estar por lo menos a 120°F(49°C). (Vea la sección Factores que afectan el rendimiento).
- Examine que el embudo en la rejilla superior no esté obstruido.
- Asegúrese que los artículos no están bloqueando los brazos rociadores e impidiendo su rotación.

## Los platos no se secan

- Elija la opción secado por calor.
- Asegúrese que el dispensador de agente de enjuague está lleno.
- Aumente la cantidad de agente de enjuague. (Vea la sección Agente de enjuague).
- Examine la temperatura del agua que entra. Asegúrese que está por lo menos a 120°F (49°C).
- Tenga cuidado al cargar el lavavajillas - evite que los artículos se peguen.
- Puede ser que los artículos de plástico necesiten ser secados con una toalla.
- Las tazas con fondo cóncavo pueden retener agua.

## Vasos de vidrio/cubiertos manchados u opacos

- Examine la dureza del agua. Para agua extremadamente dura, puede ser necesario instalar un suavizador de agua. (Vea la tabla de detergente).
- La temperatura del agua puede ser muy baja. Evite temperaturas extremadamente altas o bajas. (Vea la sección Factores que afectan el rendimiento).
- Evite sobrecarga o la carga defectuosa. (Vea la sección Preparación de los platos).
- Use detergente fresco.
- Asegúrese que el dispensador de agente de enjuague está lleno.
- Asegúrese que se está usando la cantidad apropiada de detergente para el ciclo elegido también determine el nivel de fosfato. (Vea la sección Dispensador de detergente).
- La presión de agua en su casa puede ser muy baja - debe ser de 20 a 120 libras por pulgada cuadrada (psi).

## Corrosión

- Usar mucho detergente en agua suave o suavizada causa una película que no se pueda quitar.
- Ajuste la cantidad de detergente basándose en la dureza del agua. (Vea la sección de Detergentes).
- Baje la temperatura del agua.

## El lavavajillas no se llena

- Está abierto el grifo del agua?
- Examine si la unidad está desaguando en forma apropiada. (Vea la sección El lavavajillas no desagua en forma apropiada).

## Vajillas dañadas

- Cargue con cuidado y no sobrecargue. (Vea la sección Preparando y cargando platos).
- Coloque los artículos delicados en la rejilla superior.
- Asegure los vasos en contra de los pines y no sobre los pines.
- Coloque los artículos en forma segura, a efecto de que no se suelten cuando se sacan o meten las rejillas. Cuando mueva las rejillas hacia adentro o hacia fuera, hágalo lentamente.
- Asegúrese que los vasos altos y las copas con base alta libran la parte superior de la tina cuando la rejilla se empuga hacia adentro.
- La china antigua y el cristal finos deben ser lavados a mano.

## El detergente queda en las tazas

- El detergente puede ser viejo. Tirelo y use detergente fresco.
- Esté seguro que la acción del agua llega hasta el dispensador.
- Mire si el ciclo ha sido completado.
- Asegúrese que no haya artículos que impidan que se abra el dispensador.

## El lavavajillas no desagua correctamente

- Si la unidad está conectada a un triturador de desperdicios, esté seguro de que el triturador está vacío.
- Asegúrese que la espiga de apagado ha sido retirada del interior del triturador de desperdicios.
- Examine si la manguera de desagüe está doblada o retorcida.
- Asegúrese que ciclo está completo y no en pausa.

## El ciclo toma mucho tiempo

- No está el ciclo en retraso para calentado de agua?
- Se ha seleccionado la opción de arranque retrasado?.
- Ha sido seleccionada la opción de higienizar?

## Agua en el fondo de la tina

- Si queda agua en el fondo de la tina después de terminar el ciclo, esto no es normal. Si esto sucede, puede ser que el lavavajillas no esté desaguando en forma apropiada.

### Platos manchados o descoloridos

- El té y el café pueden manchar las tazas. Quite las manchas lavándolas a mano y usando una solución de 1/2 taza (120ml) de cloro en un litro de agua tibia. Enjuáguelas bien.
- Los depósitos de hierro en el agua pueden producir una película amarilla o café. Un filtro especial, instalado en la tubería de agua solucionará este problema. (Vea la sección Cómo quitar manchas y película).
- Los utensilios de aluminio pueden dejar marcas grises o negras cuando se rozan con otros artículos. Cárguelos apropiadamente.
- Ciertos alimentos muy ácidos pueden causar descoloración del acero inoxidable y plásticos si se dejan sucios por un período prolongado. uso el ciclo RINSE & HOLD o enjuáguelos a mano si no los va a lavar en el lavavajillas inmediatamente.
- Si se mezclan artículos de acero inoxidable y plata en la canasta de lavado de cubiertos puede causarse daño a las hojas de acero inoxidable. Evite mezclar utensilios de acero inoxidable y plata.

### Fuga en el lavavajillas

- Use sólo detergente fresco, fabricado para lavavajillas automáticos. Mida cuidadosamente el detergente. Pruebe una marca diferente.
- El derrame de agente de enjuague puede producir espuma y causar sobrellenado. Limpie cualquier derrame con un trapo húmedo.
- Examine si el lavavajillas está nivelado. (Vea Instrucciones de instalación).

### Manchas en el interior de la tina

- Cuando se lavan grandes cantidades de trastos con suciedad producida por productos de tomate, se puede causar una apariencia rosada/anaranjada. Eso no afectará el rendimiento y desaparecerá gradualmente con el tiempo. Use el ciclo RINSE ONLY.

### El lavavajillas tiene mal olor

- Puede causarse mal olor si se dejan trastos sucios en el lavavajillas por largo tiempo. Enjuáguelos a mano si no los va a lavar en el lavavajillas inmediatamente.
- Es normal que exista un olor diferente cuando el lavavajillas se acaba de instalar.
- Examine si la unidad está desaguando en forma apropiada. (Vea la sección El lavavajillas no desagua en forma apropiada).

### Sonidos normales que usted oirá

- Los sonidos normales incluyen el llenado del agua, la circulación del agua y los sonidos del motor.
- Existe un cambio notable en el sonido cuando la acción de lavado cambia del brazo de rociado inferior hacia el brazo intermedio. Esto es normal ya que cada brazo produce un sonido diferente.
- Es normal que el lavavajillas haga una pausa (no hacer/tener sonido) cuando la acción de lavado está cambiando entre los brazos inferior e intermedio.

### El lavavajillas no funciona

- Examine si el circuito está bajado o si se ha quemado un fusible.
- Asegúrese que el grifo del agua está abierto.
- Examine si el ciclo está correctamente fijado. (Vea la sección Instrucciones de operación).
- Está el lavavajillas fijado en la opción de arranque retardado.
- Asegúrese que la puerta está bien cerrada.

### Cómo quitar las manchas y la película

El agua dura puede producir depósitos de cal en el interior del lavavajillas. Los platos y los vasos también pueden tener manchas y película por un número de razones. (Vea la sección Vajillas/cubiertos con manchas u opacos). Para quitar los depósitos, las manchas y la película, limpie siguiendo las instrucciones siguientes:

1. Cargue platos y vasos limpios de una forma normal. No ponga ningún instrumento de metal o cubiertos.
2. No agregue detergente.
3. Seleccione el ciclo NORMAL WASH Cierre y asegure la puerta para el arranque. Presione START/CANCEL.
4. Permita que el lavavajillas esté en funcionamiento hasta que inicie el segundo llenado de agua (aproximadamente 10 minutos).
5. Abra la puerta y ponga dos tazas de vinagre blanco en el fondo del lavavajillas.
6. Cierre y asegure puerta y permita que termine el ciclo.

### NOTA

Si esta condición persiste, puede ser necesario considerar el uso de un suavizador del agua.



Votre appareil est couvert par une garantie limitée d'un an. Pendant un an à partir de la date d'achat d'origine, Electrolux réparera ou remplacera les pièces de cet appareil qui présentent un défaut de matériau ou de fabrication, si cet appareil est installé, utilisé et entretenu selon les instructions fournies. La cuve et le revêtement de porte en acier inoxydable de votre appareil sont couverts par une garantie limitée à vie. Pendant la vie de l'appareil, Electrolux remplacera une cuve ou un revêtement de porte en acier inoxydable qui manque de contenir de l'eau à cause d'un défaut de matériau ou de fabrication si cet appareil est installé, utilisé et entretenu selon les instructions fournies. De plus, les paniers de lave-vaisselle et le module de commande électronique de votre appareil sont couverts par une garantie limitée de deux à cinq ans. Durant la période s'étendant de la deuxième à la cinquième année à partir de la date d'achat d'origine, Electrolux fournira un panier de lave-vaisselle ou un module de commande électronique pour votre appareil qui présente un défaut de matériau ou de fabrication, si cet appareil est installé, utilisé et entretenu selon les instructions fournies.

## Exclusions

Cette garantie ne couvre pas ce qui suit :

1. Les produits dont le numéro de série d'origine a été enlevé, modifié ou n'est pas facilement lisible.
2. Les appareils qui ont changé de propriétaire ou qui se trouvent à l'extérieur des États-Unis ou du Canada.
3. La présence de rouille à l'intérieur ou à l'extérieur de l'appareil.
4. Les produits vendus « tels quels » ne sont pas couverts par cette garantie.
5. La perte d'aliments causée par une panne du réfrigérateur ou du congélateur.
6. Les produits utilisés dans des établissements commerciaux.
7. Les appels de service qui ne concernent pas un mauvais fonctionnement, un défaut de fabrication ou un vice de matériau, ou pour les appareils qui ne font pas l'objet d'un usage domestique ou qui ne sont pas utilisés conformément aux instructions fournies.
8. Les appels de service pour vérifier l'installation de votre appareil ou pour obtenir des instructions concernant l'utilisation de votre appareil.
9. Les frais engagés pour rendre l'appareil accessible pour une réparation, par exemple l'enlèvement des garnitures, des armoires, des étagères, etc., qui ne faisaient pas partie de l'appareil lorsqu'il a quitté l'usine.
10. Les appels de service qui concernent la réparation ou le remplacement des ampoules, des filtres à air, des filtres à eau ou d'autres articles consommables, ou des boutons, des poignées ou d'autres pièces esthétiques.
11. Les coûts de main-d'oeuvre ou de service à domicile pendant les périodes supplémentaires de garantie limitée au delà de la première année suivant la date d'achat originale.
12. Les coûts de ramassage et de livraison; votre appareil est conçu pour être réparé à la maison.
13. Les frais supplémentaires comprenant, sans s'y limiter, les appels de service en dehors des heures normales de bureau, en fin de semaine ou un jour férié, les droits de péage, les frais de voyage ou les frais de déplacement pour les appels de service dans des endroits isolés, notamment l'État de l'Alaska.
14. Les dommages causés au fini de l'appareil ou à la maison pendant le transport ou l'installation, ce qui comprend, sans s'y limiter, les planchers, les armoires, les murs, etc.
15. Les dommages causés par : des réparations faites par des techniciens non autorisés; l'utilisation de pièces autres que les pièces Electrolux d'origine ou l'utilisation de pièces qui n'ont pas été obtenues par l'entremise d'un réparateur autorisé; ou les causes externes comme l'abus, la mauvaise utilisation, l'alimentation électrique inadéquate, les accidents, les feux ou les catastrophes naturelles.

## AVERTISSEMENT CONCERNANT LES GARANTIES IMPLICITES; LIMITATIONS DES RECOURS

L'UNIQUE RECOURS DU CLIENT EN VERTU DE CETTE GARANTIE LIMITÉE EST LA RÉPARATION OU LE REMPLACEMENT DU PRODUIT COMME DÉCRIT PRÉCÉDEMMENT. LES RÉCLAMATIONS BASÉES SUR DES GARANTIES IMPLICITES, Y COMPRIS LES GARANTIES IMPLICITES DE QUALITÉ MARCHANDE OU D'ADAPTATION À UN USAGE PARTICULIER, SONT LIMITÉES À UN AN OU À LA PÉRIODE LA PLUS COURTE PERMISE PAR LA LOI. QUI NE DOIT PAS ÊTRE INFÉRIEURE À UN AN. ELECTROLUX NE POURRA ÊTRE TENUE RESPONSABLE DES DOMMAGES ACCESSOIRES OU INDIRECTS NI DES DOMMAGES MATÉRIELS ET DES DÉPENSES IMPRÉVUES RÉSULTANT D'UNE VIOLATION DE CETTE GARANTIE ÉCRITE OU DE TOUTE AUTRE GARANTIE IMPLICITE. CERTAINS ÉTATS ET CERTAINES PROVINCES NE PERMETTENT AUCUNE RESTRICTION OU EXEMPTION SUR LES DOMMAGES ACCESSOIRES OU INDIRECTS NI RESTRICTION SUR LES GARANTIES IMPLICITES. DANS CE CAS, CES RESTRICTIONS OU EXEMPTIONS POURRAIENT NE PAS ÊTRE APPLICABLES. CETTE GARANTIE ÉCRITE VOUS DONNE DES DROITS LÉGAUX PRÉCIS. SELON L'ÉTAT OU LA PROVINCE, IL SE PEUT QUE VOUS DISPOSIEZ D'AUTRES DROITS.

Si vous devez faire appel au service de réparation

Conservez votre reçu, votre bon de livraison ou toute autre preuve valide de paiement permettant d'établir la période de la garantie au cas où vous auriez besoin de faire appel au service de réparation. Si une réparation est effectuée, il est dans votre intérêt d'obtenir et de conserver tous les reçus. Le service auquel vous avez droit en vertu de cette garantie doit être obtenu en communiquant avec Electrolux aux adresses ou aux numéros de téléphone ci-dessous.

Cette garantie n'est valide qu'aux États-Unis, à Puerto Rico et au Canada. Aux États-Unis et à Puerto Rico, votre appareil est garanti par Electrolux Major Appliances North America, une division d'Electrolux Home Products, Inc. Au Canada, votre appareil est garanti par Electrolux Canada Corp. Personne n'est autorisé à modifier les obligations contenues dans cette garantie ni à y apporter des ajouts. Les obligations de cette garantie concernant la réparation et les pièces doivent être remplies par Electrolux ou par une compagnie de réparation autorisée. Les caractéristiques et les spécifications décrites ou illustrées peuvent être modifiées sans préavis.

**EE. UU.**  
**1-877-435-3287**  
Electrolux Major Appliances North America  
10200 David Taylor Drive  
Charlotte, NC 28262

**Canada**  
**1.800.265.8352**  
Electrolux Canada Corp.  
5855 Terry Fox Way  
Mississauga, Ontario, Canada  
L5V 3E4



[electrolux.com/shop](http://electrolux.com/shop)



117895222-A-March2015

