

# DISHWASHER

EI24CD35RS

Featuring IQ-Touch™ Electronic Controls



## PRODUCT DIMENSIONS

Height (Adjustable)	33-7/8" – 34-7/8"
Width	23-3/4"
Depth	24-5/8"

## MORE EASY-TO-USE FEATURES

### LUXURY-DRY™ SYSTEM

With a condensation dry system, you can place any piece of dishware anywhere, and still get outstanding drying results.

### THIRD-LEVEL RACK

Convenient space for spatulas and unique kitchen tools, or extra room for everyday utensils. Easily lifts out for convenient unloading.

### EASY-LIFT ADJUSTABLE RACKS

Versatile racking system easily adjusts to provide the perfect place for all your dishware.

### FRONT CONTROL CLEAN LIGHT INDICATOR

Clean light on front panel lets you know when your dishes are clean.

### SURE-2-FIT® RACKING SYSTEM

A versatile and adjustable racking system — there's a perfect place for every dish, from chopsticks to stockpots to stemware.

### LUXURY SOFT GRIP RACKS

Luxury Soft Grip Racks hold plastics and dishware in place and prevent flipping, for a more thorough clean.

### LUXURY-GLIDE® RACKS

With our Luxury-Glide® technology, upper and lower racks are so smooth they extend effortlessly.

### PLATINUM STAR® LIMITED WARRANTY

Our exclusive limited warranty that includes 3-year coverage on parts and one year on labor<sup>2</sup>.

### SMART SOIL SENSOR

Responsive technology that delivers a more effective, more efficient clean by continuously monitoring water purity to determine exactly how long a cycle should run.

Available in:



Stainless  
(S)

## SIGNATURE FEATURES



### PROCLEAN™ SYSTEM

Top features to provide you with a professional-level clean in 30 minutes. Includes the SatelliteSpray™ Arm, 30-Minute Fast Wash Cycle, Target Wash Zones and Luxury-Dry™ System.



### SATELLITESPRAY™ ARM

An innovative rotating spray arm gives you 4x more water coverage<sup>1</sup>, targeting virtually every spot in your dishwasher for a truly professional-level clean.



### 30-MINUTE FAST WASH CYCLE

Thoroughly cleans in just 30 minutes.



### TARGET WASH ZONES

Flexible spray jets deliver a targeted wash to the most challenging dirty dishes, from sport bottles to heavy-duty pots and pans.

<sup>1</sup>400% more coverage than traditional dishwashers.

<sup>2</sup>Eligibility based on product registration with Electrolux North America within 60 days of purchase. Products must have been purchased on or after July 1, 2013. Coverage includes material parts for 3 years and labor for 1 year.

# DISHWASHER

EI24CD35RS



## 24" BUILT-IN DISHWASHER

### FEATURES

Stainless Steel Interior	Yes
Signature Soft-Arc Handle Design	
Luxury-Hold™ Door	Yes
IQ-Touch™ Electronic Controls	Yes
Fully Integrated Control Panel	
Tall-Tub Design	Yes
ProClean™ Wash System	Yes
SatelliteSpray™ Arm	Yes
Target Wash Zones	Yes
Wash Levels	5
AquaLux™ Wash System	Yes
Luxury-Quiet™ Sound Package	
Sound Level	49 dB
SmartSoil™ Sensor	Yes
Luxury-Dry™ System	Yes
Adjustable Rinse Aid Dispenser with Indicator	Yes
ENERGY STAR®	Yes
Reclaimable	

### CYCLES

Auto Wash	Yes
Heavy	Yes
Normal	Yes
Fast Wash (30-Min.)	Yes
China / Crystal	
Perfect Stemware™ Cycle	
Favorite	
Eco Wash	Yes
Upper Rack Only	
Rinse Only	

### OPTIONS

Hi-Temp. Wash	Yes
Heat / No Heat Dry	Yes
Max Dry	Yes
NSF® Certified Sanitize Option	Yes
Delay Start (Hours)	2-4-6

### RACK SYSTEM

Nylon Rack System	Sure-2-Fit®
Luxury-Glide® Nylon Upper Rack –	
Adjustable Height	Yes
Cup Shelf / Perfect Stemware™ Holders	2 / No
Fold-Down Tines	4 Rows
Rack Handle	Yes
Luxury-Glide® Nylon Lower Rack –	
Fold-Down Tines	2 Rows
Stemware / Champagne Glass Holders	
Silverware Basket	3-Piece Split
Rack Handle	Yes
Third-Level Rack (Single Tray)	Yes

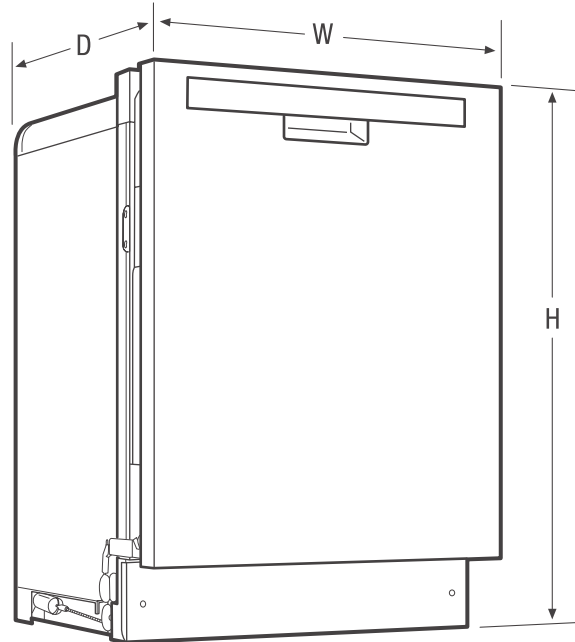
### SPECIFICATIONS

Color –	
Stainless Steel	S
Power Supply Location	Right Bottom Front
Water Inlet Location	Left Bottom Front
Water Usage (Gallons) – Normal Cycle	3.4 – 7.0
Water Pressure (PSI)	15 – 120
Integral Air Gap on Supply	Yes
Voltage Rating	120V / 60 Hz
Connected Load (kW Rating) @120 Volts†	1.44
Amps @ 120 Volts	15
Shipping Weight (Approx.)	115 Lbs.

† For use on adequately wired 120V, dedicated circuit having 2-wire service with a separate ground wire. Appliance must be grounded for safe operation.

NOTE: Always consult local and national electric and plumbing codes. Refer to Product Installation Guide for detailed installation instructions on the web at [electroluxappliances.com](http://electroluxappliances.com).

Specifications subject to change.



### PRODUCT DIMENSIONS

Height (Adjustable)	33-7/8" – 34-7/8"
Width	23-3/4"
Depth	24-5/8"
Depth with 90° Door Open	49-7/8"

## Electrolux Major Appliances, N.A.

USA • 10200 David Taylor Drive • Charlotte, NC 28262 • 1-877-4electrolux (1-877-435-3287) • [electroluxappliances.com](http://electroluxappliances.com)  
 CANADA • 5855 Terry Fox Way • Mississauga, ON L5V 3E4 • 1-800-265-8352 • [electroluxappliances.ca](http://electroluxappliances.ca)

EI24CD35R 04/15

© 2015 Electrolux Home Products, Inc.

Meets requirements of ASSE 1006



NSF Protocol for Sanitization and Cleaning Performance of Household Spray-Type Dishwashers (1997)

High standards of quality at Electrolux Home Products, Inc. mean we are constantly working to improve our products. We reserve the right to change specifications or discontinue models without notice.